

0CD50-M07020EN

P R E F A C E

This parts catalog is the 1st edition of 4TNV94L-BVZLC for Trysun.

Published : August, 2021

Contents

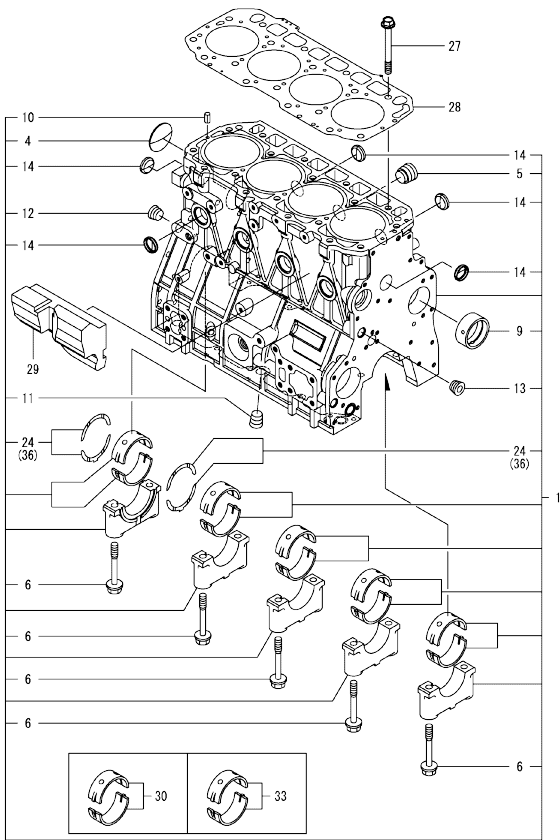
OCD50-M07020

| Fig. No. | Fig. Name | Fig. No. | Fig. Name |
|----------|-----------------------------|----------|-----------|
| ENGINE | | | |
| 1. | CYLINDER BLOCK | | |
| 2. | GEAR HOUSING | | |
| 3. | FLYWHEEL HOUSING & OIL SUMP | | |
| 4. | CYLINDER HEAD & BONNET | | |
| 5. | SUCTION MANIFOLD | | |
| 6. | EXHAUST MANIFOLD | | |
| 7. | CAMSHAFT & DRIVING GEAR | | |
| 8. | CRANKSHAFT & PISTON | | |
| 9. | LUB. OIL SYSTEM | | |
| 10. | COOLING WATER SYSTEM | | |
| 11. | FUEL INJECTION PUMP | | |
| 12. | GOVERNOR | | |
| 13. | FUEL INJECTION VALVE | | |
| 14. | FUEL PIPE | | |
| 15. | STARTER MOTOR | | |
| 16. | GENERATOR | | |
| 17. | ACCESSORY | | |

Fig.1. CYLINDER BLOCK

(A)=4TNV94L-8VZLC
(B)=
(C)=

(D)=
(E)=
(F)=

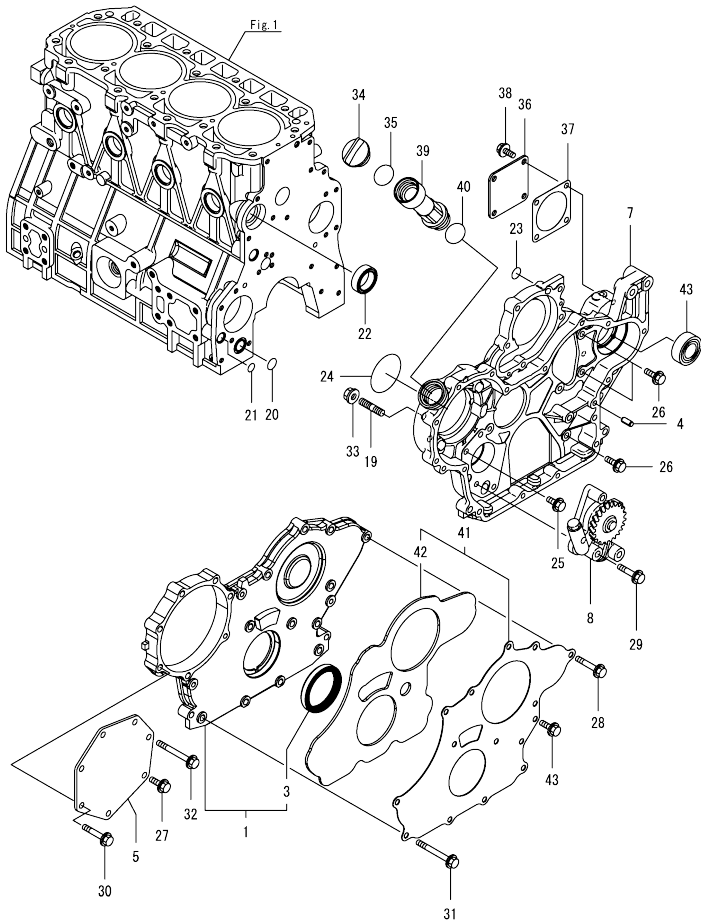


| No. | Lev. | Parts No. | Description | Q'ty | | | | | | I | R |
|-----|------|--------------|-----------------------|------|-----|-----|-----|-----|-----|---|---|
| | | | | (A) | (B) | (C) | (D) | (E) | (F) | | |
| 1 | 1 | 729906-01561 | BLOCK ASSY, CYLINDER | 1 | | | | | | | |
| 4 | 2 | 129900-01250 | PLUG, 55 | 1 | | | | | | | |
| 5 | 2 | 171051-01921 | PLUG, NPTF1 | 1 | | | | | | | |
| 6 | 2 | 129900-02020 | BOLT, METAL CAP | 10 | | | | | | | |
| 9 | 2 | 129900-02410 | BUSH, CAMSHAFT | 1 | | | | | | | |
| 10 | 2 | 22351-060012 | PIN, SPRING 6.0X12 | 2 | | | | | | | |
| 11 | 2 | 23876-030000 | PLUG, R03 | 1 | | | | | | | |
| 12 | 2 | 23876-030000 | PLUG, R03 | 1 | | | | | | | |
| 13 | 2 | 23876-030000 | PLUG, R03 | 1 | | | | | | | |
| 14 | 2 | 27241-300000 | PLUG 30 | 8 | | | | | | | |
| 24 | 2 | 129927-02930 | BEARING ASSY, THRUST | 2 | | | | | | | |
| 27 | 1 | 129900-01200 | BOLT, CYLINDER HEAD | 18 | | | | | | | |
| 28 | 1 | 129906-01350 | GASKET, HEAD | 1 | | | | | | | |
| 29 | 1 | 129907-01190 | SPACER | 1 | | | | | | | |
| 30 | 1 | 729927-02800 | BEARING ASSY, MAIN | 5 | | | | | | | 1 |
| 33 | 1 | 129927-02340 | BEARING ASSY, MAIN US | 5 | | | | | | | 2 |
| 36 | 1 | 129927-02940 | BEARING, THRUST0.25OS | 2 | | | | | | | 3 |

Remarks

- (1) Spare parts.
- (2) Under-sized (U.S.=0.25) parts.
- (3) Over-sized (O.S.=0.25) parts.

Fig.2. GEAR HOUSING

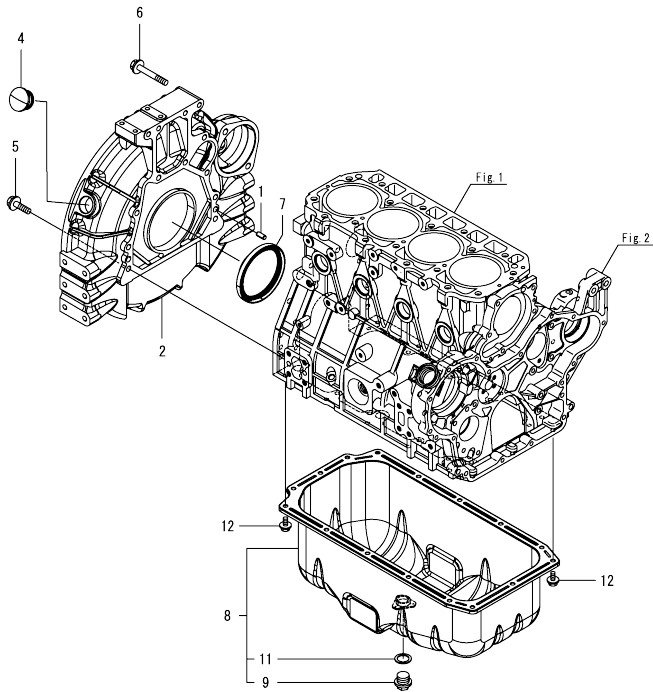


(A)=4TNV94L-8VZLC
(B)=
(C)=

(D)=
(E)=
(F)=

| No. | Lev. | Parts No. | Description | Q'ty | | | | | | I | R |
|-----|------|--------------|-----------------------|------|-----|-----|-----|-----|-----|---|---|
| | | | | (A) | (B) | (C) | (D) | (E) | (F) | | |
| 1 | 1 | 729906-01550 | COVER ASSY, CASE | 1 | | | | | | | |
| 3 | 2 | 129916-01800 | SEAL, OIL | 1 | | | | | | | |
| 4 | 1 | 129100-01580 | PIN, PARALLEL 8X16 | 4 | | | | | | | |
| 5 | 1 | 129951-01740 | COVER, PUMP TIMING | 1 | | | | | | | |
| 7 | 1 | 129907-01500 | CASE, GEAR | 1 | | | | | | | |
| 8 | 1 | 129900-32001 | PUMP ASSY, OIL | 1 | | | | | | | |
| 19 | 1 | 26216-100302 | STUD, M10X 30 | 4 | | | | | | | |
| 20 | 1 | 129900-32030 | O-RING, P20 | 1 | | | | | | | |
| 21 | 1 | 129900-32040 | O-RING, P14 | 1 | | | | | | | |
| 22 | 1 | 129927-42140 | GASKET, PUMP OUTLET | 1 | | | | | | | |
| 23 | 1 | 24311-000070 | O-RING, 1AP7.0 | 1 | | | | | | | |
| 24 | 1 | 24351-030750 | O-RING, 1A3075 | 1 | | | | | | | |
| 25 | 1 | 26106-080162 | BOLT, M8X 16 PLATED | 1 | | | | | | | |
| 26 | 1 | 26106-080202 | BOLT, M8X 20 PLATED | 3 | | | | | | | |
| 27 | 1 | 26106-080202 | BOLT, M8X 20 PLATED | 1 | | | | | | | |
| 28 | 1 | 26106-080402 | BOLT, M8X 40 PLATED | 5 | | | | | | | |
| 29 | 1 | 26106-080452 | BOLT, M8X 45 PLATED | 3 | | | | | | | |
| 30 | 1 | 26106-080452 | BOLT, M8X 45 PLATED | 5 | | | | | | | |
| 31 | 1 | 26106-080702 | BOLT, M8X 70 PLATED | 6 | | | | | | | |
| 32 | 1 | 26106-080752 | BOLT, M8X 75 PLATED | 1 | | | | | | | |
| 33 | 1 | 26306-100002 | NUT, M10 | 4 | | | | | | | |
| 34 | 1 | 124160-01751 | CAP, FILLER | 1 | | | | | | | |
| 35 | 1 | 24311-000320 | O-RING, 1AP32.0 | 1 | | | | | | | |
| 36 | 1 | 124240-01871 | COVER, HYDRAULIC PUMP | 1 | | | | | | | |
| 37 | 1 | 129C26-01890 | GASKET, PUMP | 1 | | | | | | | |
| 38 | 1 | 26106-080162 | BOLT, M8X 16 PLATED | 4 | | | | | | | |
| 39 | 1 | 121027-11743 | PIPE, FILLER | 1 | | | | | | | |
| 40 | 1 | 24311-000320 | O-RING, 1AP32.0 | 1 | | | | | | | |
| 41 | 1 | 129900-01850 | COVER ASSY, CASE | 1 | | | | | | | |
| 42 | 2 | 129900-01870 | SPONGE, COVER | 1 | | | | | | | |
| 43 | 1 | 26106-080162 | BOLT, M8X 16 PLATED | 3 | | | | | | | |

Fig.3. FLYWHEEL HOUSING & OIL SUMP

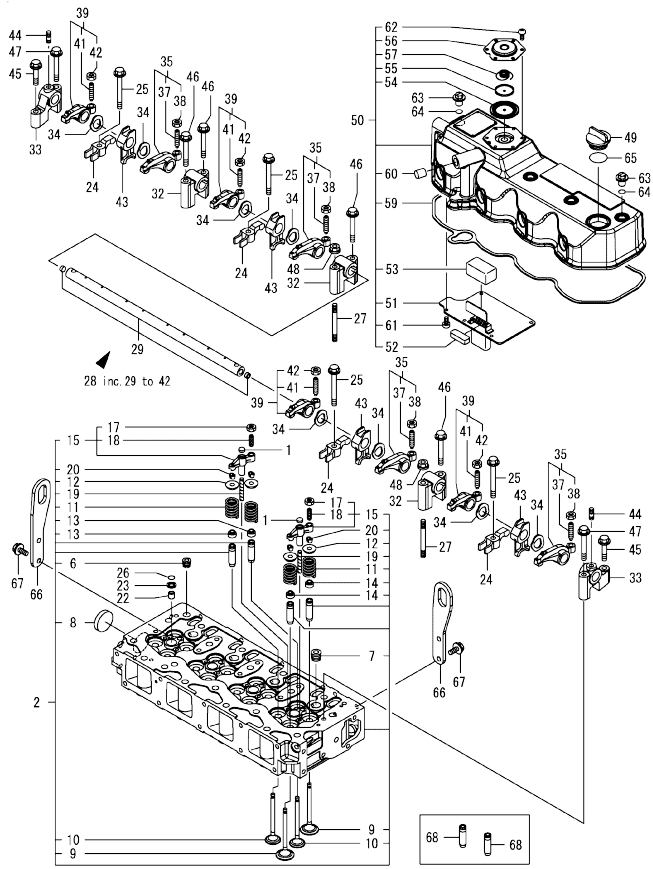


(A)=4TNV94L-8VZLC
(B)=
(C)=

(D)=
(E)=
(F)=

| No. | Lev. | Parts No. | Description | Q'ty | | | | | | I | R |
|-----|------|--------------|----------------------|------|-----|-----|-----|-----|-----|---|---|
| | | | | (A) | (B) | (C) | (D) | (E) | (F) | | |
| 1 | 1 | 129100-01580 | PIN, PARALLEL 8X16 | 2 | | | | | | | |
| 2 | 1 | 129900-01620 | HOUSING, FLYWHEEL | 1 | | | | | | | |
| 4 | 1 | 119620-01750 | CAP, WHEEL COVER | 1 | | | | | | | |
| 5 | 1 | 26206-100352 | BOLT, M10X 35 PLATED | 9 | | | | | | | |
| 6 | 1 | 26206-100702 | BOLT, M10X 70 PLATED | 4 | | | | | | | |
| 7 | 1 | 129916-01790 | SEAL, D115/95XT11 | 1 | | | | | | | |
| 8 | 1 | 129916-01710 | OIL PAN ASSY | 1 | | | | | | | |
| 9 | 2 | 119640-01640 | PLUG, DRAIN M22 | 1 | | | | | | | |
| 11 | 2 | 22190-220002 | WASHER, SEAL 22 | 1 | | | | | | | |
| 12 | 1 | 26106-080122 | BOLT, M8X 12 PLATED | 16 | | | | | | | |

Fig.4. CYLINDER HEAD & BONNET



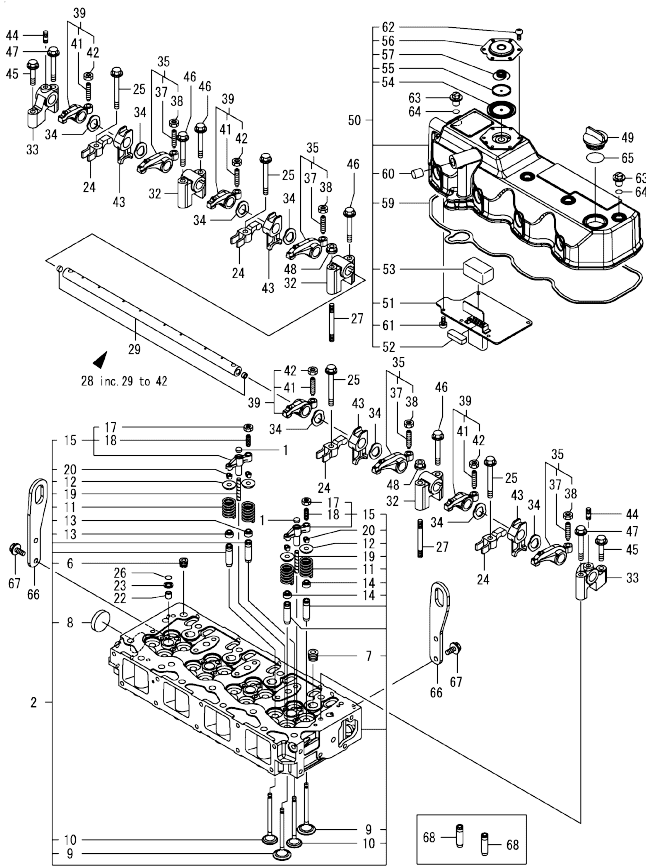
(A)=4TNV94L-8VZLC
(B)=
(C)=

(D)=
(E)=
(F)=

| No. | Lev. | Parts No. | Description | Q'ty | | | | | | I | R |
|-----|------|--------------|----------------------|------|-----|-----|-----|-----|-----|---|---|
| | | | | (A) | (B) | (C) | (D) | (E) | (F) | | |
| 1 | 1 | 123907-11550 | SEAT, VALVE BRIDGE | 8 | | | | | | | |
| 2 | 1 | 129907-11700 | HEAD ASSY, CYLINDER | 1 | | | | | | | |
| 6 | 2 | 23876-020000 | PLUG, R02 | 1 | | | | | | | |
| 7 | 2 | 23876-030000 | PLUG, R03 | 4 | | | | | | | |
| 8 | 2 | 27241-400000 | PLUG, 40 | 1 | | | | | | | |
| 9 | 2 | 129907-11100 | VALVE, INTAKE | 8 | | | | | | | |
| 10 | 2 | 129907-11110 | VALVE, EXHAUST | 8 | | | | | | | |
| 11 | 2 | 129907-11120 | SPRING, VALVE | 16 | | | | | | | |
| 12 | 2 | 119620-11180 | RETAINER, SPRING | 16 | | | | | | | |
| 13 | 2 | 119803-11340 | SEAL, VALVE STEM | 8 | | | | | | | |
| 14 | 2 | 124160-11340 | SEAL, VALVE STEM | 8 | | | | | | | |
| 15 | 2 | 129907-11510 | BRIDGE ASSY, VALVE | 8 | | | | | | | |
| 17 | 3 | 129150-11750 | NUT, M8XP1.0 | 8 | | | | | | | |
| 18 | 3 | 123907-11830 | ADJUSTER, BRIDGE | 8 | | | | | | | |
| 19 | 2 | 123907-11820 | GUIDE, BRIDGE | 8 | | | | | | | |
| 20 | 2 | 27310-070001 | COTTER, 7 | 16 | | | | | | | |
| 22 | 1 | 119802-11870 | PROTECTOR, NOZZLE | 4 | | | | | | | |
| 23 | 1 | 119625-11880 | SEAT, NOZZLE | 4 | | | | | | | |
| 24 | 1 | 129907-11960 | RETAINER, NOZZLE | 4 | | | | | | | |
| 25 | 1 | 129907-11950 | BOLT, VALVE HOLDER | 4 | | | | | | | |
| 26 | 1 | 24311-000120 | O-RING, 1AP12.0 | 4 | | | | | | | |
| 27 | 1 | 119593-11301 | STUD, M8X80 | 2 | | | | | | | |
| 28 | 1 | 129907-11341 | SUPPORT ASSY, ROCKER | 1 | | | | | | | |
| 29 | 2 | 129907-11250 | SHAFT, ROCKER ARM | 1 | | | | | | | |
| 32 | 2 | 129907-11260 | SUPPORT, ROCKER A | 3 | | | | | | | |
| 33 | 2 | 129907-11270 | SUPPORT, ROCKER B | 2 | | | | | | | |
| 34 | 2 | 123907-11280 | WASHER, WAVE | 8 | | | | | | | |
| 35 | 2 | 129907-11650 | ARM ASSY, ROCKER INT | 4 | | | | | | | |
| 37 | 3 | 129150-11230 | SCREW, VALVE ADJUST | 4 | | | | | | | |
| 38 | 3 | 129150-11750 | NUT, M8XP1.0 | 4 | | | | | | | |
| 39 | 2 | 129907-11660 | ARM ASSY, ROCKER EXH | 4 | | | | | | | |
| 41 | 3 | 129150-11230 | SCREW, VALVE ADJUST | 4 | | | | | | | |
| 42 | 3 | 129150-11750 | NUT, M8XP1.0 | 4 | | | | | | | |
| 43 | 2 | 129907-11920 | RETAINER, NOZZLE | 4 | | | | | | | |
| 44 | 2 | 26226-080222 | STUD, M8X 22 | 2 | | | | | | | |
| 45 | 1 | 26106-080402 | BOLT, M8X 40 PLATED | 2 | | | | | | | |
| 46 | 1 | 26106-080602 | BOLT, M8X 60 PLATED | 4 | | | | | | | |
| 47 | 1 | 26106-080602 | BOLT, M8X 60 PLATED | 2 | | | | | | | |
| 48 | 1 | 26306-080002 | NUT, M8 | 2 | | | | | | | |
| 49 | 1 | 124160-01751 | CAP, FILLER | 1 | | | | | | | |
| 50 | 1 | 129907-11321 | BONNET ASSY, HEAD | 1 | | | | | | | |
| 51 | 2 | 129907-03011 | PLATE, BAFFLE | 1 | | | | | | | |
| 52 | 2 | 129907-03061 | BAFFLE, BREATHER | 1 | | | | | | | |
| 53 | 2 | 129907-03070 | BAFFLE, BREATHER | 1 | | | | | | | |
| 54 | 2 | 123907-03100 | DIAPHRAGM, BREATHER | 1 | | | | | | | |
| 55 | 2 | 123907-03110 | PLATE, CENTER | 1 | | | | | | | |
| 56 | 2 | 123907-03120 | PLATE, BREATHER | 1 | | | | | | | |
| 57 | 2 | 123907-03140 | SPRING, DIAPHRAGM | 1 | | | | | | | |
| 59 | 2 | 129933-11310 | GASKET, BONNET | 1 | | | | | | | |
| 60 | 2 | 119640-61400 | PLUG | 1 | | | | | | | |
| 61 | 2 | 22857-500100 | SCREW, 5X10 | 6 | | | | | | | |

Remarks
(1)Spare parts.

Fig.4. CYLINDER HEAD & BONNET



(A)=4TNV94L-8VZLC
(B)=
(C)=

(D)=
(E)=
(F)=

| No. | Lev. | Parts No. | Description | Q'ty | | | | | | I | R |
|-----|------|--------------|---------------------|------|-----|-----|-----|-----|-----|---|---|
| | | | | (A) | (B) | (C) | (D) | (E) | (F) | | |
| 62 | 2 | 22857-500100 | SCREW, 5X10 | 6 | | | | | | | |
| 63 | 1 | 124160-11360 | KNOB, BONNET | 4 | | | | | | | |
| 64 | 1 | 24311-000120 | O-RING, 1AP12.0 | 4 | | | | | | | |
| 65 | 1 | 24311-000320 | O-RING, 1AP32.0 | 1 | | | | | | | |
| 66 | 1 | 129907-07900 | LIFTER, ENGINE | 2 | | | | | | | |
| 67 | 1 | 26106-080162 | BOLT, M8X 16 PLATED | 4 | | | | | | | |
| 68 | 1 | 129907-11800 | GUIDE, VALVE | 16 | | | | | | | 1 |

Remarks

(1)Spare parts.

Fig.5. SUCTION MANIFOLD

(A)=4TNV94L-8VZLC
(B)=
(C)=

(D)=
(E)=
(F)=

| No. | Lev. | Parts No. | Description | Q'ty | | | | | | I | R |
|-----|------|--------------|---------------------|------|-----|-----|-----|-----|-----|---|---|
| | | | | (A) | (B) | (C) | (D) | (E) | (F) | | |
| 1 | 1 | 129907-12110 | GASKET, MANIFOLD | 1 | | | | | | | |
| 2 | 1 | 129944-12111 | MANIFOLD, INTAKE | 1 | | | | | | | |
| 3 | 1 | 26106-080452 | BOLT, M8X 45 PLATED | 8 | | | | | | | |
| 4 | 1 | 26106-080802 | BOLT, M8X 80 PLATED | 2 | | | | | | | |
| 5 | 1 | 121850-77021 | GASKET, AIR HEATER | 1 | | | | | | | |
| 6 | 1 | 129915-77051 | HEATER, AIR 12V | 1 | | | | | | | |
| 7 | 1 | 26106-080352 | BOLT, M8X 35 PLATED | 4 | | | | | | | |

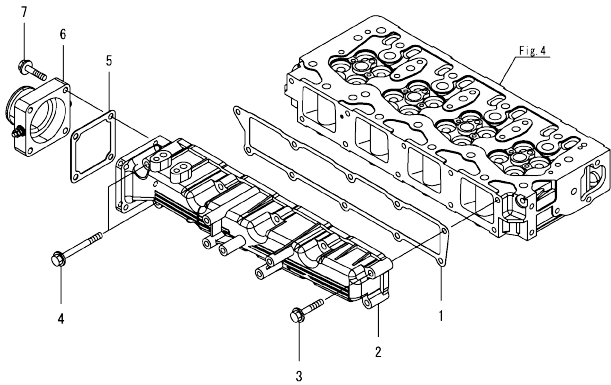


Fig.6. EXHAUST MANIFOLD

(A)=4TNV94L-8VZLC
(B)=
(C)=

(D)=
(E)=
(F)=

| No. | Lev. | Parts No. | Description | Q'ty | | | | | |
|-----|------|--------------|-------------------|------|-----|-----|-----|-----|-----|
| | | | | (A) | (B) | (C) | (D) | (E) | (F) |
| 1 | 1 | 129907-13201 | MANIFOLD, EXHAUST | 1 | | | | | |
| 2 | 1 | 129900-13251 | GASKET, MANIFOLD | 1 | | | | | |
| 3 | 1 | 123900-13610 | STUD, M8X80 | 2 | | | | | |
| 4 | 1 | 129E00-13640 | BOLT, M8X80 10.9T | 6 | | | | | |
| 5 | 1 | 119131-18320 | STUD, M8X22 | 4 | | | | | |
| 6 | 1 | 26306-080002 | NUT, M8 | 2 | | | | | |

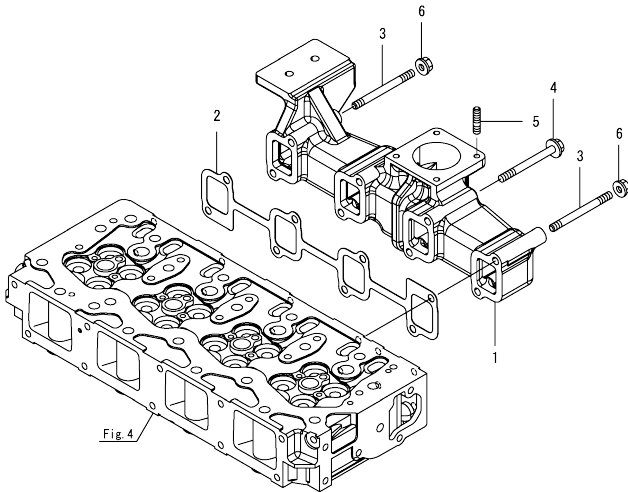
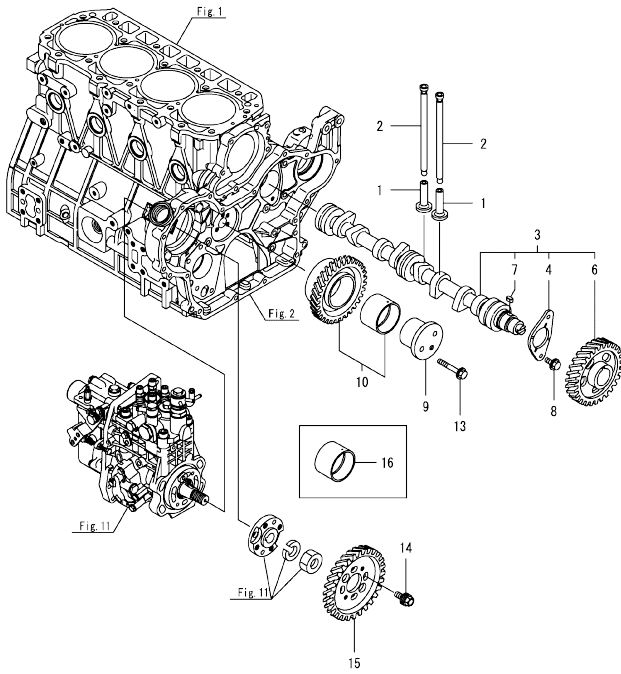


Fig.7. CAMSHAFT & DRIVING GEAR



(A)=4TNV94L-8VZLC
(B)=
(C)=

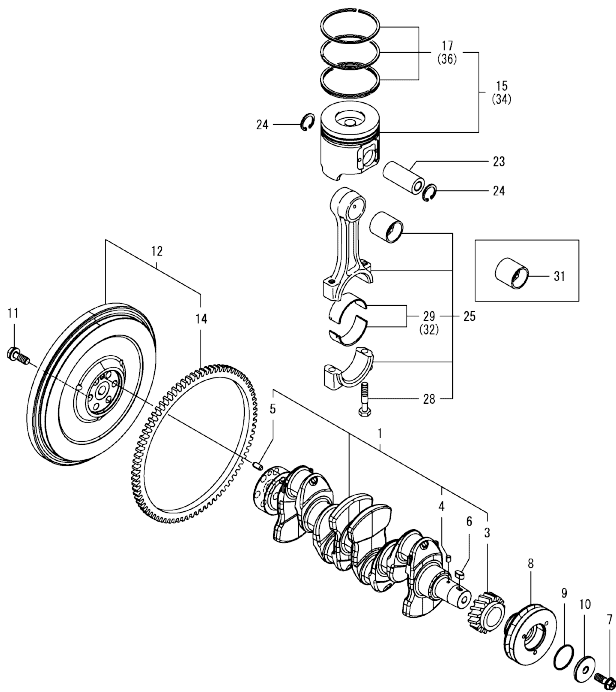
(D)=
(E)=
(F)=

| No. | Lev. | Parts No. | Description | Q'ty | | | | | | I | R |
|-----|------|--------------|---------------------|------|-----|-----|-----|-----|-----|---|---|
| | | | | (A) | (B) | (C) | (D) | (E) | (F) | | |
| 1 | 1 | 129150-14200 | TAPPET | 8 | | | | | | | |
| 2 | 1 | 129907-14400 | ROD, PUSH | 8 | | | | | | | |
| 3 | 1 | 129932-14580 | CAMSHAFT ASSY | 1 | | | | | | | |
| 4 | 2 | 129150-02450 | METAL, THRUST | 1 | | | | | | | |
| 6 | 2 | 129900-14100 | GEAR, CAMSHAFT | 1 | | | | | | | |
| 7 | 2 | 22512-070140 | KEY, 7X 14 | 1 | | | | | | | |
| 8 | 1 | 26106-080142 | BOLT, M8X 14 PLATED | 2 | | | | | | | |
| 9 | 1 | 123900-25060 | SHAFT, IDLE GEAR | 1 | | | | | | | |
| 10 | 1 | 129927-25100 | GEAR ASSY, IDLE | 1 | | | | | | | |
| 13 | 1 | 26106-080552 | BOLT, M8X 55 PLATED | 3 | | | | | | | |
| 14 | 1 | 129953-25300 | BOLT, PUMP BODY | 4 | | | | | | | |
| 15 | 1 | 129907-25900 | GEAR, PUMP | 1 | | | | | | | |
| 16 | 1 | 129927-25920 | BUSH, IDLE GEAR | 1 | | | | | | | 1 |

Remarks

(1)Spare parts.

Fig.8. CRANKSHAFT & PISTON



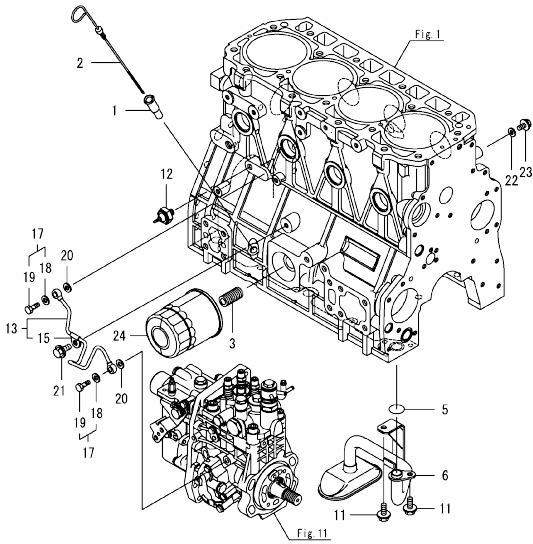
(A)=4TNV94L-8VZLC
(B)=
(C)=

(D)=
(E)=
(F)=

| No. | Lev. | Parts No. | Description | Q'ty | | | | | | I | R |
|-----|------|--------------|----------------------|------|-----|-----|-----|-----|-----|---|---|
| | | | | (A) | (B) | (C) | (D) | (E) | (F) | | |
| 1 | 1 | 129902-21000 | CRANKSHAFT ASSY | 1 | | | | | | | |
| 3 | 2 | 129900-21200 | GEAR, CRANKSHAFT | 1 | | | | | | | |
| 4 | 2 | 121850-21290 | PIN, CRANK GEAR | 1 | | | | | | | |
| 5 | 2 | 121850-21920 | PIN, PARALLEL 10X22 | 1 | | | | | | | |
| 6 | 1 | 22512-070140 | KEY, 7X 14 | 1 | | | | | | | |
| 7 | 1 | 129916-21610 | BOLT, V-PULLEY | 1 | | | | | | | |
| 8 | 1 | 129907-21650 | V-PULLEY, CRANKSHAFT | 1 | | | | | | | |
| 9 | 1 | 129960-21950 | GASKET, WASHER | 1 | | | | | | | |
| 10 | 1 | 129960-21940 | WASHER, V-PULLEY | 1 | | | | | | | |
| 11 | 1 | 121850-21130 | BOLT, FLYWHEEL | 6 | | | | | | | |
| 12 | 1 | 129916-21590 | FLYWHEEL ASSY | 1 | | | | | | | |
| 14 | 2 | 129900-21600 | GEAR, RING | 1 | | | | | | | |
| 15 | 1 | 129986-22080 | PISTON ASSY | 4 | | | | | | | |
| 17 | 2 | 129986-22050 | RING ASSY | 4 | | | | | | | |
| 23 | 1 | 120130-22301 | PIN, PISTON | 4 | | | | | | | |
| 24 | 1 | 22252-000300 | RING, 30 | 8 | | | | | | | |
| 25 | 1 | 129900-23001 | ROD ASSY, CONNECTING | 4 | | | | | | | |
| 28 | 2 | 129900-23200 | BOLT, CONNECTING ROD | 8 | | | | | | | |
| 29 | 2 | 129927-23600 | BEARING ASSY, PIN | 4 | | | | | | | |
| 31 | 1 | 129900-23911 | METAL, PISTON PIN | 4 | | | | | | | 1 |
| 32 | 1 | 129900-23611 | METAL ASSY, PIN_25 | 4 | | | | | | | 2 |
| 34 | 1 | 129906-22910 | PISTON ASSY, 0.25 OS | 4 | | | | | | | 3 |
| 36 | 2 | 129916-22950 | RING SET, PISTON_25 | 4 | | | | | | | 3 |

Remarks
 (1)Spare parts.
 (2)Under-sized(U.S.=0.25) parts.
 (3)Over-sized(O.S.=0.25) parts.

Fig.9. LUB. OIL SYSTEM



(A)=4TNV94L-8VZLC
(B)=
(C)=

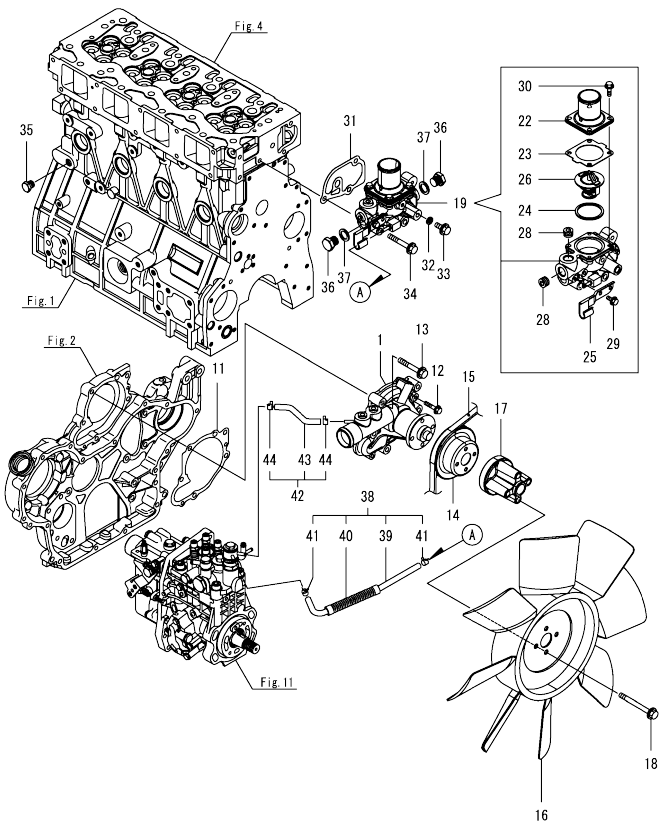
(D)=
(E)=
(F)=

| No. | Lev. | Parts No. | Description | Q'ty | | | | | | I | R |
|-----|------|--------------|----------------------|------|-----|-----|-----|-----|-----|---|---|
| | | | | (A) | (B) | (C) | (D) | (E) | (F) | | |
| 1 | 1 | 121520-34810 | GUIDE, DIPSTICK | 1 | | | | | | | |
| 2 | 1 | 129906-34851 | DIPSTICK, OIL | 1 | | | | | | | |
| 3 | 1 | 119000-35140 | BOLT, FILTER | 1 | | | | | | | |
| 5 | 1 | 129900-32030 | O-RING, P20 | 1 | | | | | | | |
| 6 | 1 | 129953-35000 | PIPE ASSY, OIL INLET | 1 | | | | | | | |
| 11 | 1 | 26106-080122 | BOLT, M8X 12 PLATED | 2 | | | | | | | |
| 12 | 1 | 114250-39450 | SWITCH, HYDRAULIC | 1 | | | | | | | |
| 13 | 1 | 129907-39061 | PIPE ASSY, OIL | 1 | | | | | | | |
| 15 | 2 | 123907-39500 | RETAINER, PIPE | 1 | | | | | | | |
| 17 | 1 | 129005-59830 | BOLT ASSY, JOINT M8 | 2 | | | | | | | |
| 18 | 2 | 22190-080002 | WASHER, SEAL 8 | 2 | | | | | | | |
| 19 | 2 | 23857-030000 | BOLT, JOINT 3 | 2 | | | | | | | |
| 20 | 1 | 22190-080002 | WASHER, SEAL 8 | 2 | | | | | | | |
| 21 | 1 | 26106-080122 | BOLT, M8X 12 PLATED | 1 | | | | | | | |
| 22 | 1 | 22190-080002 | WASHER, SEAL 8 | 2 | | | | | | | |
| 23 | 1 | 26106-080122 | BOLT, M8X 12 PLATED | 2 | | | | | | | |
| 24 | 1 | 119005-35151 | FILTER, OIL D80X100 | 1 | | | | | | | 1 |

Remarks

(1)Spare parts.

Fig.10. COOLING WATER SYSTEM

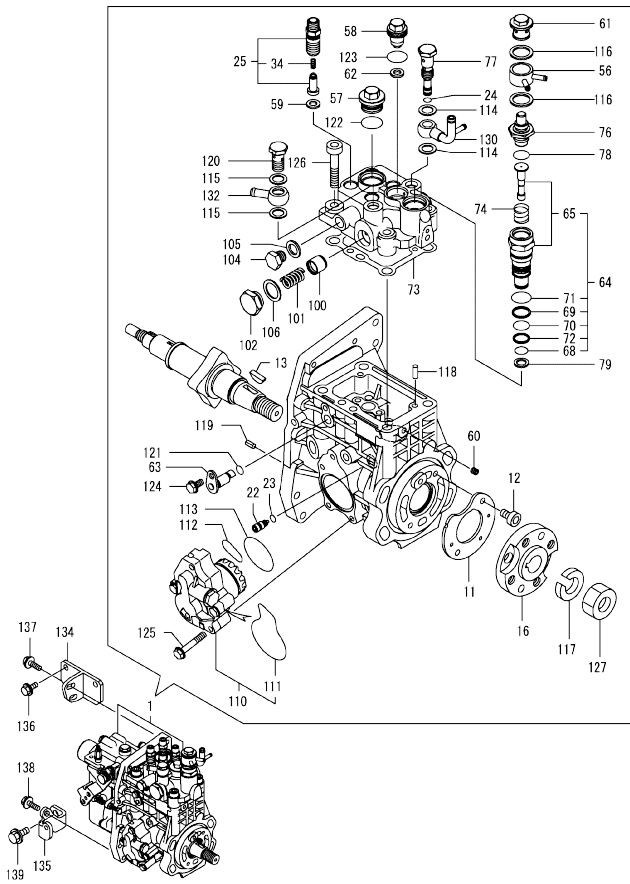


(A)=4TNV94L-8VZLC
(B)=
(C)=

(D)=
(E)=
(F)=

| No. | Lev. | Parts No. | Description | Qty | | | | | | I | R |
|-----|------|--------------|-----------------------|-----|-----|-----|-----|-----|-----|---|---|
| | | | | (A) | (B) | (C) | (D) | (E) | (F) | | |
| 1 | 1 | 129907-42002 | PUMP ASSY, WATER | 1 | | | | | | | |
| 11 | 1 | 129900-42020 | GASKET, WATER PUMP | 1 | | | | | | | |
| 12 | 1 | 26106-060302 | BOLT, M6X 30 PLATED | 2 | | | | | | | |
| 13 | 1 | 26106-080552 | BOLT, M8X 55 PLATED | 5 | | | | | | | |
| 14 | 1 | 129900-42450 | V-PULLEY, PUMP | 1 | | | | | | | |
| 15 | 1 | 129984-42270 | V-BELT, A41.5 | 1 | | | | | | | |
| 16 | 1 | 129985-44710 | FAN, COOLING | 1 | | | | | | | |
| 17 | 1 | 119117-44760 | SPACER, FAN | 1 | | | | | | | |
| 18 | 1 | 26106-080802 | BOLT, M8X 80 PLATED | 4 | | | | | | | |
| 19 | 1 | 129907-49800 | CASE ASSY, THERMOSTAT | 1 | | | | | | | |
| 22 | 2 | 129916-49530 | COVER, THERMOSTAT | 1 | | | | | | | |
| 23 | 2 | 121850-49540 | GASKET, THERMOSTAT | 1 | | | | | | | |
| 24 | 2 | 121850-49550 | GASKET, THERMOSTAT | 1 | | | | | | | |
| 25 | 2 | 129907-49730 | RETAINER, PIPE | 1 | | | | | | | |
| 26 | 2 | 121850-49811 | THERMOSTAT, 71C | 1 | | | | | | | |
| 28 | 2 | 23875-030000 | PLUG, R03 | 2 | | | | | | | |
| 29 | 2 | 26106-060122 | BOLT, M6X 12 PLATED | 1 | | | | | | | |
| 30 | 2 | 26106-060202 | BOLT, M6X 20 PLATED | 4 | | | | | | | |
| 31 | 1 | 129900-49870 | GASKET, THERMOSTAT | 1 | | | | | | | |
| 32 | 1 | 23414-080000 | GASKET, 8X1.0 | 1 | | | | | | | |
| 33 | 1 | 26106-080122 | BOLT, M8X 12 PLATED | 1 | | | | | | | |
| 34 | 1 | 26106-080602 | BOLT, M8X 60 PLATED | 3 | | | | | | | |
| 35 | 1 | 171056-49120 | PLUG, DRAIN R1/4 | 1 | | | | | | | |
| 36 | 1 | 121450-42450 | PLUG, M16 | 2 | | | | | | | |
| 37 | 1 | 124465-44950 | GASKET, 16 | 2 | | | | | | | |
| 38 | 1 | 129907-49610 | HOSE ASSY, WATER A | 1 | | | | | | | |
| 39 | 2 | 129907-49710 | HOSE, WATER A | 1 | | | | | | | |
| 40 | 2 | 129907-49750 | TUBE, CORRUGATED | 1 | | | | | | | |
| 41 | 2 | 124722-59050 | CLAMP, HOSE 9 | 2 | | | | | | | |
| 42 | 1 | 129907-49620 | HOSE ASSY, WATER B | 1 | | | | | | | |
| 43 | 2 | 129907-49720 | HOSE, WATER B | 1 | | | | | | | |
| 44 | 2 | 124722-59050 | CLAMP, HOSE 9 | 2 | | | | | | | |

Fig.11. FUEL INJECTION PUMP



(A)=4TNV94L-8VZLC
(B)=
(C)=

(D)=
(E)=
(F)=

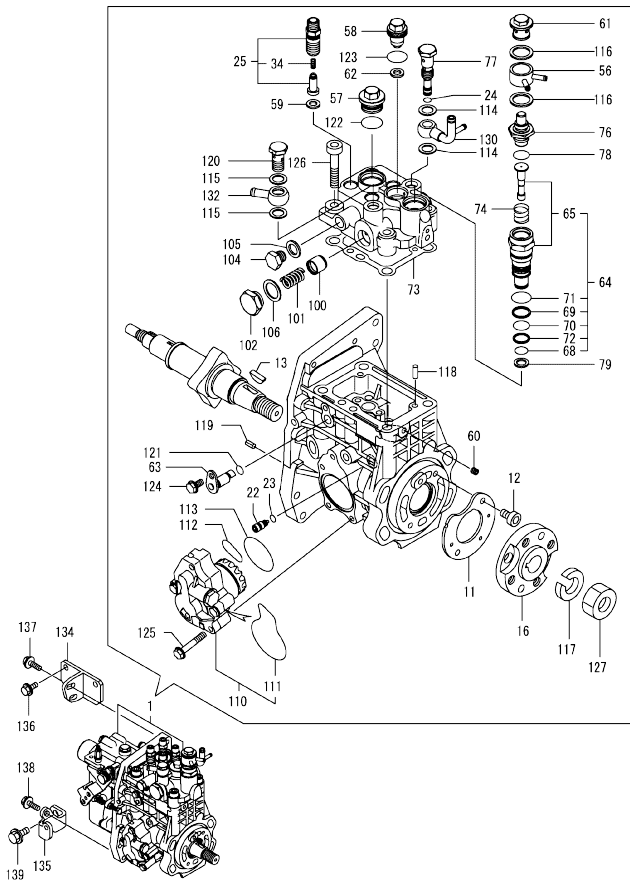
| No. | Lev. | Parts No. | Description | Q'ty | | | | | | I | R |
|-----|------|--------------|----------------------|------|-----|-----|-----|-----|-----|---|---|
| | | | | (A) | (B) | (C) | (D) | (E) | (F) | | |
| 1 | 1 | 729929-51370 | FIE ASSY | 1 | | | | | | | 1 |
| 11 | 2 | 129928-51900 | COVER, OIL | 1 | | | | | | | |
| 12 | 2 | 129008-51920 | BOLT, M6X10 | 2 | | | | | | | |
| 13 | 2 | 144626-51090 | KEY, FEATHER 5X19 | 1 | | | | | | | |
| 16 | 2 | 158563-51150 | FLANGE | 1 | | | | | | | |
| 22 | 2 | 158600-51270 | STOPPER, TAPPET | 1 | | | | | | | |
| 23 | 2 | 158563-51281 | O-RING, 4D S6 | 1 | | | | | | | |
| 24 | 2 | 158563-51281 | O-RING, 4D S6 | 1 | | | | | | | |
| 25 | 2 | 129509-51390 | VALVE ASSY, DELIVERY | 4 | | | | | | | |
| 34 | 3 | 158563-51330 | SPRING, DELIVERY | 4 | | | | | | | |
| 56 | 2 | 158553-51551 | JOINT, COOLING WATER | 1 | | | | | | | |
| 57 | 2 | 158601-51550 | PLUG, M22 | 1 | | | | | | | |
| 58 | 2 | 129907-51560 | PLUG, M16 | 1 | | | | | | | |
| 59 | 2 | 158552-51571 | GASKET, BARREL PLUG | 4 | | | | | | | |
| 60 | 2 | 158557-51570 | PLUG, RACK | 1 | | | | | | | |
| 61 | 2 | 158601-51570 | PLUG | 1 | | | | | | | |
| 62 | 2 | 129906-51580 | GASKET, BARREL PLUG | 1 | | | | | | | |
| 63 | 2 | 158552-51580 | LIFTER, LINK | 1 | | | | | | | |
| 64 | 2 | 119802-51590 | TIMER ASSY | 1 | | | | | | | |
| 65 | 3 | 119802-51600 | TIMER ASSY | 1 | | | | | | | |
| 68 | 3 | 158553-51670 | O-RING, PUMP TIMER | 1 | | | | | | | |
| 69 | 3 | 119802-51680 | RING, BACKUP | 1 | | | | | | | |
| 70 | 3 | 119802-51690 | O-RING, 1016 | 1 | | | | | | | |
| 71 | 3 | 24356-190200 | O-RING, 4D19020 | 1 | | | | | | | |
| 72 | 3 | 24372-000150 | RING, BACK UP T2P15 | 1 | | | | | | | |
| 73 | 2 | 158560-51600 | GASKET, HEAD | 1 | | | | | | | |
| 74 | 2 | 158553-51630 | SPRING, TIMER | 1 | | | | | | | |
| 76 | 2 | 158553-51640 | ELEMENT, THERMOSTAT | 1 | | | | | | | |
| 77 | 2 | 158601-51650 | JOINT, OVERFLOW | 1 | | | | | | | |
| 78 | 2 | 158553-51660 | O-RING, P14 | 1 | | | | | | | |
| 79 | 2 | 158553-51680 | GASKET, TIMER | 1 | | | | | | | |
| 100 | 2 | 158601-51770 | PISTON, ACCUMULATOR | 1 | | | | | | | |
| 101 | 2 | 158552-51781 | SPRING, ACCUMULATOR | 1 | | | | | | | |
| 102 | 2 | 158601-51790 | PLUG, ACCUMULATOR | 1 | | | | | | | |
| 104 | 2 | 158553-51930 | PLUG, M12 | 1 | | | | | | | |
| 105 | 2 | 22190-120002 | WASHER, SEAL 12 | 1 | | | | | | | |
| 106 | 2 | 22190-180002 | WASHER, SEAL 18 | 1 | | | | | | | |
| 110 | 2 | 158552-52100 | PUMP ASSY, FUEL FEED | 1 | | | | | | | |
| 111 | 3 | 158552-52500 | O-RING, PUMP INNER | 1 | | | | | | | |
| 112 | 2 | 158552-52311 | O-RING, FEED PUMP | 1 | | | | | | | |
| 113 | 2 | 158552-52400 | O-RING, 4E S42 | 1 | | | | | | | |
| 114 | 2 | 22190-120002 | WASHER, SEAL 12 | 2 | | | | | | | |
| 115 | 2 | 22190-120002 | WASHER, SEAL 12 | 2 | | | | | | | |
| 116 | 2 | 22190-180002 | WASHER, SEAL 18 | 2 | | | | | | | |
| 117 | 2 | 22217-180000 | WASHER, SPRING 18 | 1 | | | | | | | |
| 118 | 2 | 22312-050140 | PIN, PARALLEL 5X14 | 2 | | | | | | | |
| 119 | 2 | 22351-050010 | PIN, SPRING 5.0X10 | 2 | | | | | | | |
| 120 | 2 | 23857-060000 | BOLT, JOINT 6 | 1 | | | | | | | |
| 121 | 2 | 24311-000070 | O-RING, 1AP7.0 | 1 | | | | | | | |
| 122 | 2 | 24356-190200 | O-RING, 4D19020 | 1 | | | | | | | |
| 123 | 2 | 24356-240210 | O-RING, 4D24021 | 1 | | | | | | | |

Remarks

(1)Governor(Fig.12) is incorporated in this Fuel Injection Pump(No.1).

N:Old $\frac{New}{Old}$ New, Q:Old $\frac{New}{Old}$ New, R:Old $\frac{New}{Old}$ New, S:Old $\frac{New}{Old}$ New, W:Add, Z:Discontinued, F:Interchangeable by set, K:Qty Change
 ++ CONTINUE ++
 Copyright (C) 2021 YANMAR GLOBAL CS CO., LTD. All Rights Reserved.

Fig.11. FUEL INJECTION PUMP



(A)=4TNV94L-8VZLC
(B)=
(C)=

(D)=
(E)=
(F)=

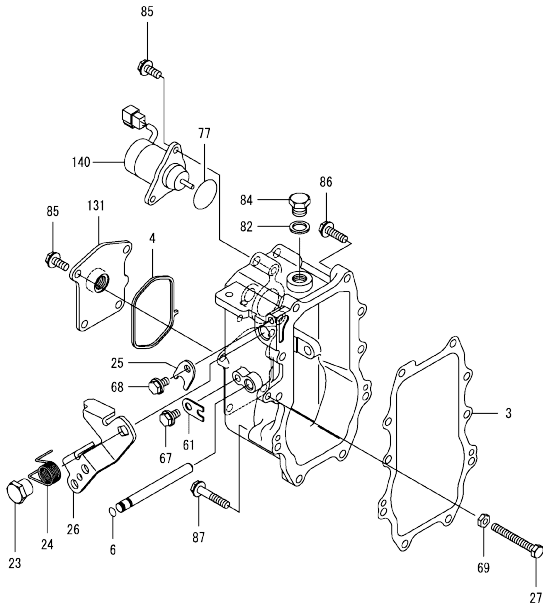
| No. | Lev. | Parts No. | Description | Q'ty | | | | | | I | R |
|-----|------|--------------|----------------------|------|-----|-----|-----|-----|-----|---|---|
| | | | | (A) | (B) | (C) | (D) | (E) | (F) | | |
| 124 | 2 | 26106-060102 | BOLT, M6X 10 PLATED | 1 | | | | | | | |
| 125 | 2 | 26106-060352 | BOLT, M6X 35 PLATED | 4 | | | | | | | |
| 126 | 2 | 26450-100452 | BOLT, M10X 45 | 4 | | | | | | | |
| 127 | 2 | 26776-180002 | NUT, LOCK M18 | 1 | | | | | | | |
| 130 | 2 | 158552-51670 | JOINT, OVERFLOW | 1 | | | | | | | |
| 132 | 2 | 129916-59020 | JOINT, PIPE 12 | 1 | | | | | | | |
| 134 | 1 | 129907-01950 | RETAINER, PUMP UPPER | 1 | | | | | | | |
| 135 | 1 | 129907-01960 | RETAINER, PUMP LOWER | 1 | | | | | | | |
| 136 | 1 | 26106-080162 | BOLT, M8X 16 PLATED | 2 | | | | | | | |
| 137 | 1 | 26106-080222 | BOLT, M8X 22 PLATED | 2 | | | | | | | |
| 138 | 1 | 26106-080222 | BOLT, M8X 22 PLATED | 1 | | | | | | | |
| 139 | 1 | 26106-100202 | BOLT, M10X 20 PLATED | 1 | | | | | | | |

Remarks

(1)Governor(Fig.12) is incorporated in this Fuel Injection Pump(No.1).

OCD50-M07020 ENGINE
 Fig.12. GOVERNOR

OCD50-M07020 Fig.12



(A)=4TNV94L-8VZLC
 (B)=
 (C)=

(D)=
 (E)=
 (F)=

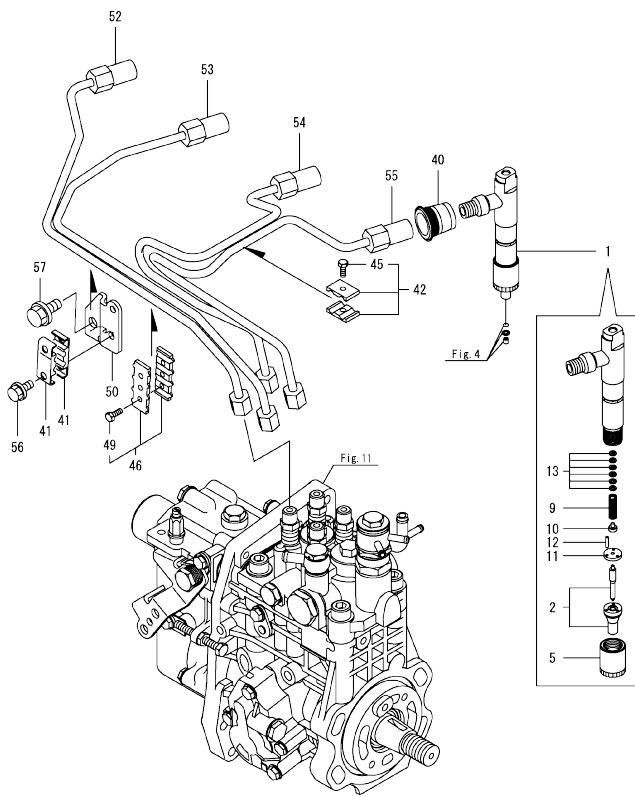
| No. | Lev. | Parts No. | Description | Q'ty | | | | | | I | R |
|-----|------|--------------|----------------------|------|-----|-----|-----|-----|-----|---|---|
| | | | | (A) | (B) | (C) | (D) | (E) | (F) | | |
| 3 | 2 | 158560-61050 | GASKET, CASE | 1 | | | | | | | |
| 4 | 2 | 158560-61071 | GASKET, CASE | 1 | | | | | | | |
| 6 | 2 | 129155-51280 | O-RING, S6 | 1 | | | | | | | |
| 23 | 2 | 129255-61410 | NUT, CONTROL LEVER | 1 | | | | | | | |
| 24 | 2 | 119807-61420 | SPRING, RETURN | 1 | | | | | | | |
| 25 | 2 | 158560-61430 | STOPPER, SHAFT | 1 | | | | | | | |
| 26 | 2 | 158560-61442 | LEVER, REGULATOR | 1 | | | | | | | |
| 27 | 2 | 129155-61461 | BOLT, IDLE LIMIT | 1 | | | | | | | |
| 61 | 2 | 119660-61901 | STOPPER, SHAFT | 1 | | | | | | | |
| 67 | 2 | 26106-060102 | BOLT, M6X 10 PLATED | 1 | | | | | | | |
| 68 | 2 | 26106-060102 | BOLT, M6X 10 PLATED | 1 | | | | | | | |
| 69 | 2 | 119740-61470 | NUT | 1 | | | | | | | |
| 77 | 2 | 158552-61900 | O-RING | 1 | | | | | | | |
| 82 | 2 | 22190-160002 | WASHER, SEAL 16 | 1 | | | | | | | |
| 84 | 2 | 23887-160002 | PLUG, 16 | 1 | | | | | | | |
| 85 | 2 | 26106-060122 | BOLT, M6X 14 PLATED | 6 | | | | | | | |
| 86 | 2 | 26106-060252 | BOLT, M6X 25 PLATED | 8 | | | | | | | |
| 87 | 2 | 26106-060402 | BOLT, M6X 40 PLATED | 2 | | | | | | | |
| 131 | 2 | 129906-61060 | COVER, GOVERNOR CASE | 1 | | | | | | | |
| 140 | 2 | 129630-77900 | SOLENOID, STOP | 1 | | | | | | | |

Remarks

* This figure(Governor) is incorporated in the Fuel Injection Pump(Fig.11).

N:Old $\frac{100}{100}$ New, Q:Old $\frac{100}{100}$ New, R:Old $\frac{100}{100}$ New, S:Old $\frac{100}{100}$ New, W:Add, Z:Discontinued, F:Interchangeable by set, K:Q'ty Change
 Copyright (C) 2021 YANMAR GLOBAL CS CO., LTD. All Rights Reserved.

Fig.13. FUEL INJECTION VALVE



(A)=4TNV94L-8VZLC
(B)=
(C)=

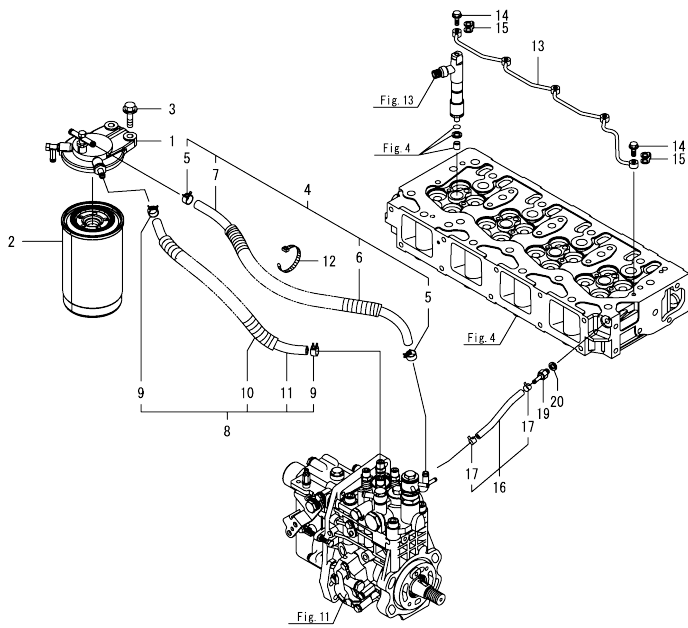
(D)=
(E)=
(F)=

| No. | Lev. | Parts No. | Description | Q'ty | | | | | | I | R |
|-----|------|--------------|----------------------|------|-----|-----|-----|-----|-----|---|---|
| | | | | (A) | (B) | (C) | (D) | (E) | (F) | | |
| 1 | 1 | 729906-53100 | VALVE ASSY,INJECTION | 4 | | | | | | | |
| 2 | 2 | 129906-53000 | VALVE ASSY,INJECTION | 4 | | | | | | | |
| 5 | 2 | 114250-53080 | NUT, NOZZLE | 4 | | | | | | | |
| 9 | 2 | 114250-53120 | SPRING, NOZZLE | 4 | | | | | | | |
| 10 | 2 | 114250-53130 | SEAT, SPRING | 4 | | | | | | | |
| 11 | 2 | 114250-53140 | SPACER, VALVE STOP | 4 | | | | | | | |
| 12 | 2 | 114250-53210 | PIN, POSITIONING | 8 | | | | | | | |
| 13 | 2 | 119803-53400 | SHIM SET | 4 | | | | | | | 1 |
| 40 | 1 | 123907-11601 | SEAL, PIPE | 4 | | | | | | | |
| 41 | 1 | 122780-59100 | RETAINER, PIPE | 2 | | | | | | | |
| 42 | 1 | 119305-59120 | RETAINER, PIPE | 1 | | | | | | | |
| 45 | 2 | 129150-59131 | BOLT, M4X14 | 1 | | | | | | | |
| 46 | 1 | 129550-59120 | RETAINER, PIPE | 1 | | | | | | | |
| 49 | 2 | 129150-59131 | BOLT, M4X14 | 2 | | | | | | | |
| 50 | 1 | 129907-59710 | SUPPORT, PIPE CLAMP | 1 | | | | | | | |
| 52 | 1 | 129907-59810 | PIPE ASSY, INJECTION | 1 | | | | | | | |
| 53 | 1 | 129907-59820 | PIPE ASSY, INJECTION | 1 | | | | | | | |
| 54 | 1 | 129907-59830 | PIPE ASSY, INJECTION | 1 | | | | | | | |
| 55 | 1 | 129907-59840 | PIPE ASSY, INJECTION | 1 | | | | | | | |
| 56 | 1 | 26106-060162 | BOLT, M6X 16 PLATED | 2 | | | | | | | |
| 57 | 1 | 26106-080182 | BOLT, M8X 18 PLATED | 1 | | | | | | | |

Remarks

(1)Spare parts.

Fig.14. FUEL PIPE



(A)=4TNV94L-8VZLC
(B)=
(C)=

(D)=
(E)=
(F)=

| No. | Lev. | Parts No. | Description | Q'ty | | | | | | I | R |
|-----|------|--------------|---------------------|------|-----|-----|-----|-----|-----|---|---|
| | | | | (A) | (B) | (C) | (D) | (E) | (F) | | |
| 1 | 1 | 129004-55612 | BRACKET, FILTER | 1 | | | | | | | |
| 2 | 1 | 129907-55801 | FILTER, FUEL | 1 | | | | | | | |
| 3 | 1 | 26106-080302 | BOLT, M8X 30 PLATED | 2 | | | | | | | |
| 4 | 1 | 129457-59010 | HOSE ASSY, FUEL | 1 | | | | | | | |
| 5 | 2 | 124766-59050 | CLAMP, HOSE 11.5 | 2 | | | | | | | |
| 6 | 2 | 129957-59120 | TUBE, CORRUGATED 15 | 1 | | | | | | | |
| 7 | 2 | 105025-59750 | HOSE, FUEL | 1 | | | | | | | |
| 8 | 1 | 129981-59010 | HOSE ASSY, FUEL | 1 | | | | | | | |
| 9 | 2 | 124766-59050 | CLAMP, HOSE 11.5 | 2 | | | | | | | |
| 10 | 2 | 129950-59221 | TUBE, CORRUGATED 15 | 1 | | | | | | | |
| 11 | 2 | 129980-59510 | HOSE, FUEL | 1 | | | | | | | |
| 12 | 1 | 121750-59890 | BAND, NYLON | 1 | | | | | | | |
| 13 | 1 | 129907-59140 | PIPE ASSY, RETURN | 1 | | | | | | | |
| 14 | 1 | 123907-59540 | BOLT, PIPE JOINT M6 | 5 | | | | | | | |
| 15 | 1 | 123907-59550 | GASKET, FUEL RETURN | 5 | | | | | | | |
| 16 | 1 | 129486-59551 | HOSE ASSY, RETURN | 1 | | | | | | | |
| 17 | 2 | 124722-59050 | CLAMP, HOSE 9 | 2 | | | | | | | |
| 19 | 1 | 123907-59560 | JOINT, HOSE | 1 | | | | | | | |
| 20 | 1 | 22190-080002 | WASHER, SEAL 8 | 1 | | | | | | | |

Fig.15. STARTER MOTOR

(A)=4TNV94L-8VZLC
(B)=
(C)=

(D)=
(E)=
(F)=

| No. | Lev. | Parts No. | Description | Q'ty | | | | | |
|-----|------|--------------|----------------------|------|-----|-----|-----|-----|-----|
| | | | | (A) | (B) | (C) | (D) | (E) | (F) |
| 1 | 1 | 129908-77011 | STARTER,12V-3.0KW | 1 | | | | | |
| 2 | 1 | 26106-120252 | BOLT, M12X 25 PLATED | 2 | | | | | |

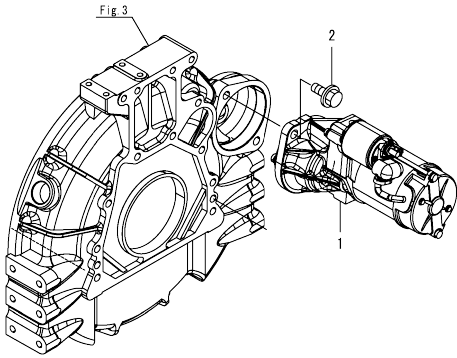
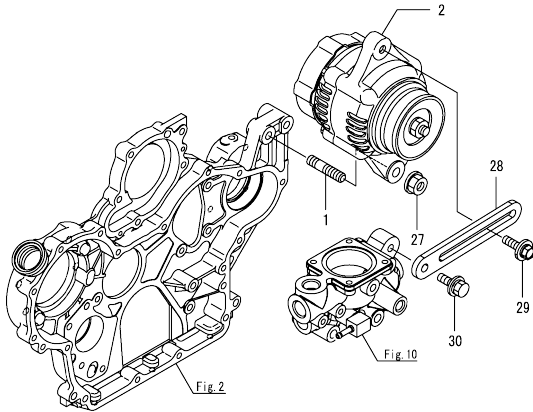
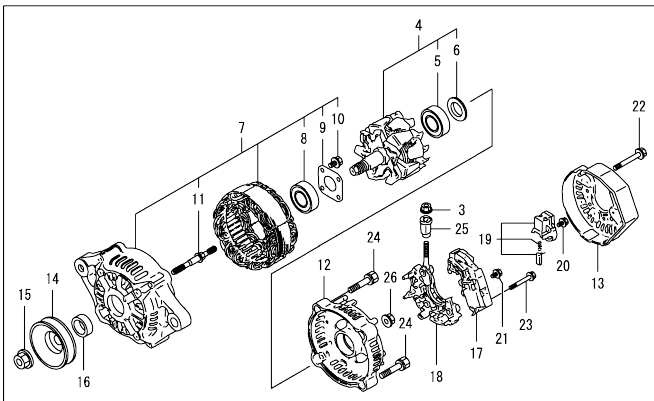


Fig.16. GENERATOR



(A)=4TNV94L-8VZLC
(B)=
(C)=

(D)=
(E)=
(F)=

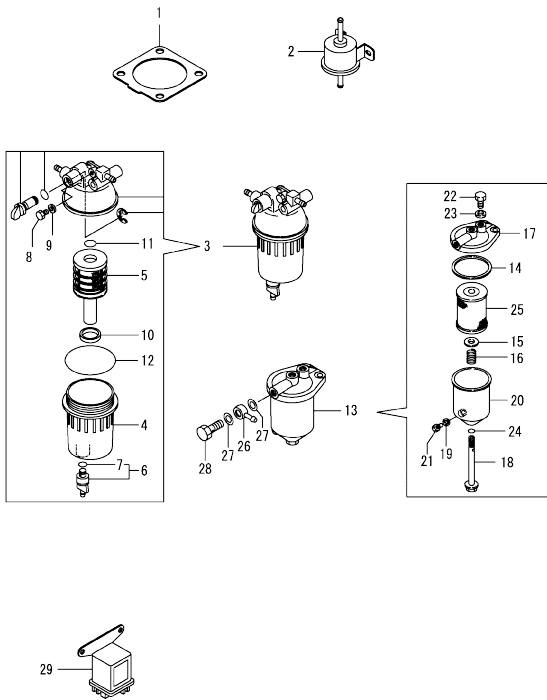
| No. | Lev. | Parts No. | Description | Q'ty | | | | | | I | R |
|-----|------|--------------|---------------------|------|-----|-----|-----|-----|-----|---|---|
| | | | | (A) | (B) | (C) | (D) | (E) | (F) | | |
| 1 | 1 | 129795-01900 | BOLT, M10X30 | 1 | | | | | | | |
| 2 | 1 | 119626-77220 | ALTERNATOR, 12V-55A | 1 | | | | | | | |
| 3 | 2 | 129240-79310 | NUT | 1 | | | | | | | |
| 4 | 2 | 129052-77380 | ROTOR ASSY | 1 | | | | | | | |
| 5 | 3 | 123501-79240 | BEARING, BALL | 1 | | | | | | | |
| 6 | 3 | 119620-79250 | COVER, BEARING | 1 | | | | | | | |
| 7 | 2 | 129052-77422 | FRAME ASSY | 1 | | | | | | | |
| 8 | 3 | 119620-79200 | BEARING, BALL | 1 | | | | | | | |
| 9 | 3 | 119620-79210 | PLATE, RETAINER | 1 | | | | | | | |
| 10 | 3 | 119620-79220 | SCREW | 4 | | | | | | | |
| 11 | 3 | 119620-79230 | STUD | 2 | | | | | | | |
| 12 | 2 | 128401-77440 | COVER, END | 1 | | | | | | | |
| 13 | 2 | 119626-77450 | COVER, END | 1 | | | | | | | |
| 14 | 2 | 119620-77461 | PULLEY, GENERATOR | 1 | | | | | | | |
| 15 | 2 | 119620-77471 | NUT | 1 | | | | | | | |
| 16 | 2 | 119620-77490 | COLLAR | 1 | | | | | | | |
| 17 | 2 | 129423-77730 | REGULATOR ASSY | 1 | | | | | | | |
| 18 | 2 | 129052-79260 | HOLDER ASSY | 1 | | | | | | | |
| 19 | 2 | 129052-79270 | HOLDER ASSY, BRUSH | 1 | | | | | | | |
| 20 | 2 | 119620-79290 | SCREW | 6 | | | | | | | |
| 21 | 2 | 119620-79300 | SCREW | 1 | | | | | | | |
| 22 | 2 | 119620-79310 | BOLT | 3 | | | | | | | |
| 23 | 2 | 119620-79320 | SCREW, W/WASHER | 2 | | | | | | | |
| 24 | 2 | 119620-79330 | BOLT | 2 | | | | | | | |
| 25 | 2 | 119620-79340 | BUSH, INSULATION | 1 | | | | | | | |
| 26 | 2 | 119620-79350 | NUT | 2 | | | | | | | |
| 27 | 1 | 26306-100002 | NUT, M10 | 1 | | | | | | | |
| 28 | 1 | 129900-77330 | ADJUSTER, BELT | 1 | | | | | | | |
| 29 | 1 | 119810-77340 | BOLT, ADJUSTER L=30 | 1 | | | | | | | |
| 30 | 1 | 26014-080252 | BOLT, M8X 25 | 1 | | | | | | | |

OCD50-M07020 ENGINE
 Fig.17. ACCESSORY

OCD50-M07020 Fig.17

(A)=4TNV94L-8VZLC
 (B)=
 (C)=

(D)=
 (E)=
 (F)=



| No. | Lev. | Parts No. | Description | Q'ty | | | | | |
|-----|------|--------------|----------------------|------|-----|-----|-----|-----|-----|
| | | | | (A) | (B) | (C) | (D) | (E) | (F) |
| 1 | 1 | 129930-13201 | GASKET, SILENCER | 1 | | | | | |
| 2 | 1 | 129612-52100 | PUMP, FUEL FEED | 1 | | | | | |
| 3 | 1 | 129242-55701 | SEPARATOR ASSY,WATER | 1 | | | | | |
| 4 | 2 | 129242-55720 | CUP, SEPARATOR | 1 | | | | | |
| 5 | 2 | 129242-55730 | ELEMENT, FUEL FILTER | 1 | | | | | |
| 6 | 2 | 129242-55740 | PLUG, DRAIN | 1 | | | | | |
| 7 | 3 | 129917-55840 | O-RING, DRAIN PLUG | 1 | | | | | |
| 8 | 2 | 129242-55750 | VALVE, AIR VENT | 1 | | | | | |
| 9 | 2 | 129242-55760 | GASKET, PLUG | 1 | | | | | |
| 10 | 2 | 129242-55770 | FLOAT | 1 | | | | | |
| 11 | 2 | 24311-000160 | O-RING, 1AP16.0 | 1 | | | | | |
| 12 | 2 | 24321-000750 | O-RING, 1AG75.0 | 1 | | | | | |
| 13 | 1 | 129065-55750 | SEPARATOR ASSY,WATER | 1 | | | | | |
| 14 | 2 | 123325-35140 | GASKET, COVER | 1 | | | | | |
| 15 | 2 | 123325-35160 | SEAT, SPRING | 1 | | | | | |
| 16 | 2 | 129065-55170 | SPRING, FILTER | 1 | | | | | |
| 17 | 2 | 129495-55610 | BODY, STRAINER | 1 | | | | | |
| 18 | 2 | 129495-55620 | BOLT, CENTER | 1 | | | | | |
| 19 | 2 | 123672-55760 | GASKET | 1 | | | | | |
| 20 | 2 | 129065-55760 | CASE, SEPARATOR | 1 | | | | | |
| 21 | 2 | 129065-55770 | PLUG, DRAIN M8 | 1 | | | | | |
| 22 | 2 | 129065-55800 | PLUG, M14 | 1 | | | | | |
| 23 | 2 | 123678-55890 | GASKET, PLUG | 1 | | | | | |
| 24 | 2 | 24311-000120 | O-RING, 1AP12.0 | 1 | | | | | |
| 25 | 2 | 41650-550800 | ELEMENT, FUEL | 1 | | | | | |
| 26 | 1 | 121855-59880 | JOINT, FUEL PIPE | 2 | | | | | |
| 27 | 1 | 22190-140002 | WASHER, SEAL 14 | 4 | | | | | |
| 28 | 1 | 23857-080000 | BOLT, JOINT 8 | 2 | | | | | |
| 29 | 1 | 119650-77911 | RELAY ASSY, GLOW | 1 | | | | | |

Parts No. Index

| Parts No. | Fig. No. | Ref. No. | Parts No. | Fig. No. | Ref. No. | Parts No. | Fig. No. | Ref. No. | Parts No. | Fig. No. | Ref. No. |
|--------------|----------|----------|--------------|----------|----------|--------------|----------|----------|--------------|----------|----------|
| 105025-59750 | 14 | 7 | 121520-34810 | 9 | 1 | 129065-55170 | 17 | 16 | 129900-23611 | 8 | 32 |
| 114250-39450 | 9 | 12 | 121750-59890 | 14 | 12 | 129065-55750 | 17 | 13 | 129900-23911 | 8 | 31 |
| 114250-53080 | 13 | 5 | 121850-21130 | 8 | 11 | 129065-55760 | 17 | 20 | 129900-32001 | 2 | 8 |
| 114250-53120 | 13 | 9 | 121850-21290 | 8 | 4 | 129065-55770 | 17 | 21 | 129900-32030 | 2 | 20 |
| 114250-53130 | 13 | 10 | 121850-21920 | 8 | 5 | 129065-55800 | 17 | 22 | | 9 | 5 |
| 114250-53140 | 13 | 11 | 121850-49540 | 10 | 23 | 129100-01580 | 2 | 4 | 129900-32040 | 2 | 21 |
| 114250-53210 | 13 | 12 | 121850-49550 | 10 | 24 | | 3 | 1 | 129900-42020 | 10 | 11 |
| 119000-35140 | 9 | 3 | 121850-49811 | 10 | 26 | 129150-02450 | 7 | 4 | 129900-42450 | 10 | 14 |
| 119005-35151 | 9 | 24 | 121850-77021 | 5 | 5 | 129150-11230 | 4 | 37 | 129900-49870 | 10 | 31 |
| 119117-44760 | 10 | 17 | 121855-59880 | 17 | 26 | | | 41 | 129900-77330 | 16 | 28 |
| 119131-18320 | 6 | 5 | 122780-59100 | 13 | 41 | 129150-11750 | 4 | 17 | 129902-21000 | 8 | 1 |
| 119305-59120 | 13 | 42 | 123325-35140 | 17 | 14 | | | 38 | 129906-01350 | 1 | 28 |
| 119593-11301 | 4 | 27 | 123325-35160 | 17 | 15 | | | 42 | 129906-22910 | 8 | 34 |
| 119620-01750 | 3 | 4 | 123501-79240 | 16 | 5 | 129150-14200 | 7 | 1 | 129906-34851 | 9 | 2 |
| 119620-11180 | 4 | 12 | 123672-55760 | 17 | 19 | 129150-59131 | 13 | 45 | 129906-51580 | 11 | 62 |
| 119620-77461 | 16 | 14 | 123678-55890 | 17 | 23 | | | 49 | 129906-53000 | 13 | 2 |
| 119620-77471 | 16 | 15 | 123900-13610 | 6 | 3 | 129155-51280 | 12 | 6 | 129906-61060 | 12 | 131 |
| 119620-77490 | 16 | 16 | 123900-25060 | 7 | 9 | 129155-61461 | 12 | 27 | 129907-01190 | 1 | 29 |
| 119620-79200 | 16 | 8 | 123907-03100 | 4 | 54 | 129240-79310 | 16 | 3 | 129907-01500 | 2 | 7 |
| 119620-79210 | 16 | 9 | 123907-03110 | 4 | 55 | 129242-55701 | 17 | 3 | 129907-01950 | 11 | 134 |
| 119620-79220 | 16 | 10 | 123907-03120 | 4 | 56 | 129242-55720 | 17 | 4 | 129907-01960 | 11 | 135 |
| 119620-79230 | 16 | 11 | 123907-03140 | 4 | 57 | 129242-55730 | 17 | 5 | 129907-03011 | 4 | 51 |
| 119620-79250 | 16 | 6 | 123907-11280 | 4 | 34 | 129242-55740 | 17 | 6 | 129907-03061 | 4 | 52 |
| 119620-79290 | 16 | 20 | 123907-11550 | 4 | 1 | 129242-55750 | 17 | 8 | 129907-03070 | 4 | 53 |
| 119620-79300 | 16 | 21 | 123907-11601 | 13 | 40 | 129242-55760 | 17 | 9 | 129907-07900 | 4 | 66 |
| 119620-79310 | 16 | 22 | 123907-11820 | 4 | 19 | 129242-55770 | 17 | 10 | 129907-11100 | 4 | 9 |
| 119620-79320 | 16 | 23 | 123907-11830 | 4 | 18 | 129255-61410 | 12 | 23 | 129907-11110 | 4 | 10 |
| 119620-79330 | 16 | 24 | 123907-39500 | 9 | 15 | 129423-77730 | 16 | 17 | 129907-11120 | 4 | 11 |
| 119620-79340 | 16 | 25 | 123907-59540 | 14 | 14 | 129457-59010 | 14 | 4 | 129907-11250 | 4 | 29 |
| 119620-79350 | 16 | 26 | 123907-59550 | 14 | 15 | 129486-59551 | 14 | 16 | 129907-11260 | 4 | 32 |
| 119625-11880 | 4 | 23 | 123907-59560 | 14 | 19 | 129495-55610 | 17 | 17 | 129907-11270 | 4 | 33 |
| 119626-77220 | 16 | 2 | 124160-01751 | 2 | 34 | 129495-55620 | 17 | 18 | 129907-11321 | 4 | 50 |
| 119626-77450 | 16 | 13 | | 4 | 49 | 129509-51390 | 11 | 25 | 129907-11341 | 4 | 28 |
| 119640-01640 | 3 | 9 | 124160-11340 | 4 | 14 | 129550-59120 | 13 | 46 | 129907-11510 | 4 | 15 |
| 119640-61400 | 4 | 60 | 124160-11360 | 4 | 63 | 129612-52100 | 17 | 2 | 129907-11650 | 4 | 35 |
| 119650-77911 | 17 | 29 | 124240-01871 | 2 | 36 | 129630-77900 | 12 | 140 | 129907-11660 | 4 | 39 |
| 119660-61901 | 12 | 61 | 124465-44950 | 10 | 37 | 129795-01900 | 16 | 1 | 129907-11700 | 4 | 2 |
| 119740-61470 | 12 | 69 | 124722-59050 | 10 | 41 | 129900-01200 | 1 | 27 | 129907-11800 | 4 | 68 |
| 119802-11870 | 4 | 22 | | 14 | 44 | 129900-01250 | 1 | 4 | 129907-11920 | 4 | 43 |
| 119802-51590 | 11 | 64 | | 14 | 17 | 129900-01620 | 3 | 2 | 129907-11950 | 4 | 25 |
| 119802-51600 | 11 | 65 | 124766-59050 | 14 | 5 | 129900-01850 | 2 | 41 | 129907-11960 | 4 | 24 |
| 119802-51680 | 11 | 69 | | | 9 | 129900-01870 | 2 | 42 | 129907-12110 | 5 | 1 |
| 119802-51690 | 11 | 70 | 128401-77440 | 16 | 12 | 129900-02020 | 1 | 6 | 129907-13201 | 6 | 1 |
| 119803-11340 | 4 | 13 | 129004-55612 | 14 | 1 | 129900-02410 | 1 | 9 | 129907-14400 | 7 | 2 |
| 119803-53400 | 13 | 13 | 129005-59830 | 9 | 17 | 129900-13251 | 6 | 2 | 129907-21650 | 8 | 8 |
| 119807-61420 | 12 | 24 | 129008-51920 | 11 | 12 | 129900-14100 | 7 | 6 | 129907-25900 | 7 | 15 |
| 119810-77340 | 16 | 29 | 129052-77380 | 16 | 4 | 129900-21200 | 8 | 3 | 129907-39061 | 9 | 13 |
| 120130-22301 | 8 | 23 | 129052-77422 | 16 | 7 | 129900-21600 | 8 | 14 | 129907-42002 | 10 | 1 |
| 121027-11743 | 2 | 39 | 129052-79260 | 16 | 18 | 129900-23001 | 8 | 25 | 129907-49610 | 10 | 38 |
| 121450-42450 | 10 | 36 | 129052-79270 | 16 | 19 | 129900-23200 | 8 | 28 | 129907-49620 | 10 | 42 |

Parts No. Index

| Parts No. | Fig. No. | Ref. No. |
|--------------|----------|----------|
| 129907-49710 | 10 | 39 |
| 129907-49720 | 10 | 43 |
| 129907-49730 | 10 | 25 |
| 129907-49750 | 10 | 40 |
| 129907-49800 | 10 | 19 |
| 129907-51560 | 11 | 58 |
| 129907-55801 | 14 | 2 |
| 129907-59140 | 14 | 13 |
| 129907-59710 | 13 | 50 |
| 129907-59810 | 13 | 52 |
| 129907-59820 | 13 | 53 |
| 129907-59830 | 13 | 54 |
| 129907-59840 | 13 | 55 |
| 129908-77011 | 15 | 1 |
| 129915-77051 | 5 | 6 |
| 129916-01710 | 3 | 8 |
| 129916-01790 | 3 | 7 |
| 129916-01800 | 2 | 3 |
| 129916-21590 | 8 | 12 |
| 129916-21610 | 8 | 7 |
| 129916-22950 | 8 | 36 |
| 129916-49530 | 10 | 22 |
| 129916-59020 | 11 | 132 |
| 129917-55840 | 17 | 7 |
| 129927-02340 | 1 | 33 |
| 129927-02930 | 1 | 24 |
| 129927-02940 | 1 | 36 |
| 129927-23600 | 8 | 29 |
| 129927-25100 | 7 | 10 |
| 129927-25920 | 7 | 16 |
| 129927-42140 | 2 | 22 |
| 129928-51900 | 11 | 11 |
| 129930-13201 | 17 | 1 |
| 129932-14580 | 7 | 3 |
| 129933-11310 | 4 | 59 |
| 129944-12111 | 5 | 2 |
| 129950-59221 | 14 | 10 |
| 129951-01740 | 2 | 5 |
| 129953-25300 | 7 | 14 |
| 129953-35000 | 9 | 6 |
| 129957-59120 | 14 | 6 |
| 129960-21940 | 8 | 10 |
| 129960-21950 | 8 | 9 |
| 129980-59510 | 14 | 11 |
| 129981-59010 | 14 | 8 |
| 129984-42270 | 10 | 15 |
| 129985-44710 | 10 | 16 |
| 129986-22050 | 8 | 17 |
| 129986-22080 | 8 | 15 |
| 129C26-01890 | 2 | 37 |

| Parts No. | Fig. No. | Ref. No. |
|--------------|----------|----------|
| 129E00-13640 | 6 | 4 |
| 144626-51090 | 11 | 13 |
| 158552-51571 | 11 | 59 |
| 158552-51580 | 11 | 63 |
| 158552-51670 | 11 | 130 |
| 158552-51781 | 11 | 101 |
| 158552-52100 | 11 | 110 |
| 158552-52311 | 11 | 112 |
| 158552-52400 | 11 | 113 |
| 158552-52500 | 11 | 111 |
| 158552-61900 | 12 | 77 |
| 158553-51551 | 11 | 56 |
| 158553-51630 | 11 | 74 |
| 158553-51640 | 11 | 76 |
| 158553-51660 | 11 | 78 |
| 158553-51670 | 11 | 68 |
| 158553-51680 | 11 | 79 |
| 158553-51930 | 11 | 104 |
| 158557-51570 | 11 | 60 |
| 158560-51600 | 11 | 73 |
| 158560-61050 | 12 | 3 |
| 158560-61071 | 12 | 4 |
| 158560-61430 | 12 | 25 |
| 158560-61442 | 12 | 26 |
| 158563-51150 | 11 | 16 |
| 158563-51281 | 11 | 23 |
| | | 24 |
| 158563-51330 | 11 | 34 |
| 158600-51270 | 11 | 22 |
| 158601-51550 | 11 | 57 |
| 158601-51570 | 11 | 61 |
| 158601-51650 | 11 | 77 |
| 158601-51770 | 11 | 100 |
| 158601-51790 | 11 | 102 |
| 171051-01921 | 1 | 5 |
| 171056-49120 | 10 | 35 |
| 22190-080002 | 9 | 18 |
| | | 20 |
| | | 22 |
| | 14 | 20 |
| 22190-120002 | 11 | 105 |
| | | 114 |
| | | 115 |
| 22190-140002 | 17 | 27 |
| 22190-160002 | 12 | 82 |
| 22190-180002 | 11 | 106 |
| | | 116 |
| 22190-220002 | 3 | 11 |
| 22217-180000 | 11 | 117 |
| 22252-000300 | 8 | 24 |

| Parts No. | Fig. No. | Ref. No. |
|--------------|----------|----------|
| 22312-050140 | 11 | 118 |
| 22351-050010 | 11 | 119 |
| 22351-060012 | 1 | 10 |
| 22512-070140 | 7 | 7 |
| | 8 | 6 |
| 22857-500100 | 4 | 61 |
| | | 62 |
| 23414-080000 | 10 | 32 |
| 23857-030000 | 9 | 19 |
| 23857-060000 | 11 | 120 |
| 23857-080000 | 17 | 28 |
| 23875-030000 | 10 | 28 |
| 23876-020000 | 4 | 6 |
| 23876-030000 | 1 | 11 |
| | | 12 |
| | | 13 |
| | 4 | 7 |
| 23887-160002 | 12 | 84 |
| 24311-000070 | 2 | 23 |
| | 11 | 121 |
| 24311-000120 | 4 | 26 |
| | | 64 |
| | 17 | 24 |
| 24311-000160 | 17 | 11 |
| 24311-000320 | 2 | 35 |
| | | 40 |
| | 4 | 65 |
| 24321-000750 | 17 | 12 |
| 24351-030750 | 2 | 24 |
| 24356-190200 | 11 | 71 |
| | | 122 |
| 24356-240210 | 11 | 123 |
| 24372-000150 | 11 | 72 |
| 26014-080252 | 16 | 30 |
| 26106-060102 | 11 | 124 |
| | 12 | 67 |
| | | 68 |
| 26106-060122 | 10 | 29 |
| | 12 | 85 |
| 26106-060162 | 13 | 56 |
| 26106-060202 | 10 | 30 |
| 26106-060252 | 12 | 86 |
| 26106-060302 | 10 | 12 |
| 26106-060352 | 11 | 125 |
| 26106-060402 | 12 | 87 |
| 26106-080122 | 3 | 12 |
| | 9 | 11 |
| | | 21 |
| | | 23 |
| | 10 | 33 |

| Parts No. | Fig. No. | Ref. No. |
|--------------|----------|----------|
| 26106-080142 | 7 | 8 |
| 26106-080162 | 2 | 25 |
| | | 38 |
| | | 43 |
| | 4 | 67 |
| | 11 | 136 |
| 26106-080182 | 13 | 57 |
| 26106-080202 | 2 | 26 |
| | | 27 |
| 26106-080222 | 11 | 137 |
| | | 138 |
| 26106-080302 | 14 | 3 |
| 26106-080352 | 5 | 7 |
| 26106-080402 | 2 | 28 |
| | 4 | 45 |
| 26106-080452 | 2 | 29 |
| | | 30 |
| | 5 | 3 |
| 26106-080552 | 7 | 13 |
| | 10 | 13 |
| 26106-080602 | 4 | 46 |
| | | 47 |
| | 10 | 34 |
| 26106-080702 | 2 | 31 |
| 26106-080752 | 2 | 32 |
| 26106-080802 | 5 | 4 |
| | 10 | 18 |
| 26106-100202 | 11 | 139 |
| 26106-120252 | 15 | 2 |
| 26206-100352 | 3 | 5 |
| 26206-100702 | 3 | 6 |
| 26216-100302 | 2 | 19 |
| 26226-080222 | 4 | 44 |
| 26306-080002 | 4 | 48 |
| | 6 | 6 |
| 26306-100002 | 2 | 33 |
| | 16 | 27 |
| 26450-100452 | 11 | 126 |
| 26776-180002 | 11 | 127 |
| 27241-300000 | 1 | 14 |
| 27241-400000 | 4 | 8 |
| 27310-070001 | 4 | 20 |
| 41650-550800 | 17 | 25 |
| 729906-01550 | 2 | 1 |
| 729906-01561 | 1 | 1 |
| 729906-53100 | 13 | 1 |
| 729927-02800 | 1 | 30 |
| 729929-51370 | 11 | 1 |