

0CD50-M03630EN

P R E F A C E

This parts catalog is the 1st edition of 4TNV94L-BVTY2 for Trysun.

Published : January, 2018

Contents

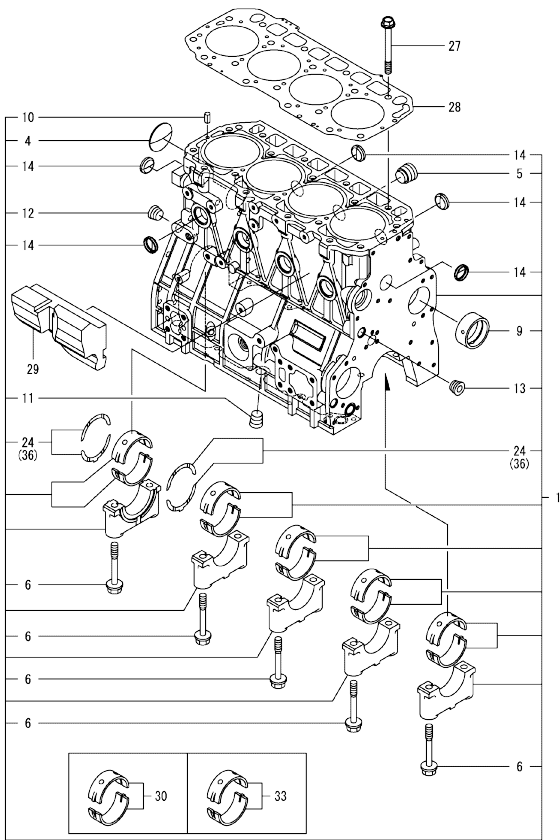
OCD50-M03630

Fig. No.	Fig. Name	Fig. No.	Fig. Name
ENGINE			
1.	CYLINDER BLOCK		
2.	GEAR HOUSING		
3.	FLYWHEEL HOUSING & OIL SUMP		
4.	CYLINDER HEAD & BONNET		
5.	SUCTION MANIFOLD		
6.	EXHAUST MANIFOLD		
7.	CAMSHAFT & DRIVING GEAR		
8.	CRANKSHAFT & PISTON		
9.	LUB. OIL SYSTEM		
10.	COOLING WATER SYSTEM		
11.	FUEL INJECTION PUMP		
12.	GOVERNOR		
13.	FUEL INJECTION VALVE		
14.	FUEL PIPE		
15.	STARTER MOTOR		
16.	GENERATOR		
17.	ACCESSORY		

Fig.1. CYLINDER BLOCK

(A)=4TNV94L-BVTY2
(B)=
(C)=

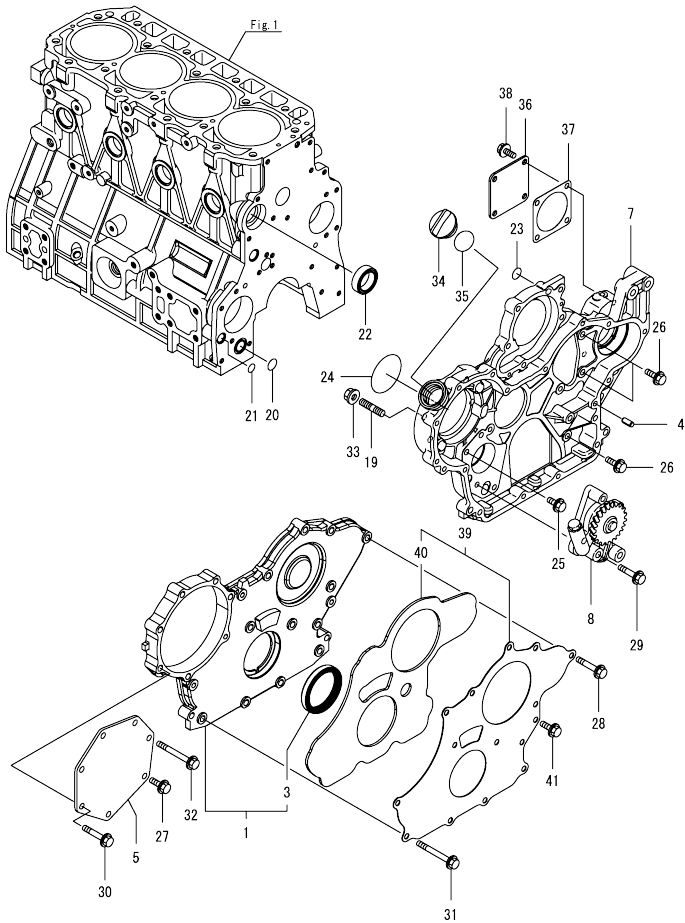
(D)=
(E)=
(F)=



No.	Lev.	Parts No.	Description	Q'ty						I	R
				(A)	(B)	(C)	(D)	(E)	(F)		
1	1	729906-01561	BLOCK ASSY, CYLINDER	1							
4	2	129900-01250	PLUG, 55	1							
5	2	171051-01921	PLUG, NPTF1	1							
6	2	129900-02020	BOLT, METAL CAP	10							
9	2	129900-02410	BUSH, CAMSHAFT	1							
10	2	22351-060012	PIN, SPRING 6.0X12	2							
11	2	23876-030000	PLUG, R03	1							
12	2	23876-030000	PLUG, R03	1							
13	2	23876-030000	PLUG, R03	1							
14	2	27241-300000	PLUG 30	8							
24	2	129927-02930	BEARING ASSY, THRUST	2							
27	1	129900-01200	BOLT, CYLINDER HEAD	18							
28	1	129906-01350	GASKET, HEAD	1							
29	1	129907-01190	SPACER	1							
30	1	729927-02800	BEARING ASSY, MAIN	5							1
33	1	129927-02340	BEARING ASSY, MAIN US	5							2
36	1	129927-02940	BEARING ASSY, THRUST	2							3

Remarks
(1) Spare parts.
(2) Under-sized (U.S.=0.25) parts.
(3) Over-sized (O.S.=0.25) parts.

Fig.2. GEAR HOUSING

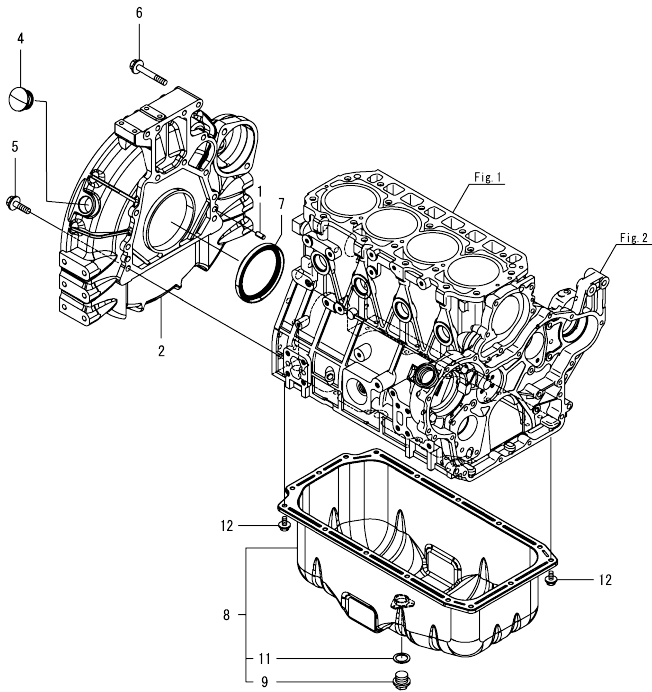


(A)=4TNV94L-8VTY2
(B)=
(C)=

(D)=
(E)=
(F)=

No.	Lev.	Parts No.	Description	Qty						I	R
				(A)	(B)	(C)	(D)	(E)	(F)		
1	1	729907-01559	COVER ASSY, CASE	1							
3	2	129916-01800	SEAL, OIL	1							
4	1	129100-01580	PIN, PARALLEL 8X16	4							
5	1	129951-01740	COVER, PUMP TIMING	1							
7	1	129907-01500	CASE, GEAR	1							
8	1	129900-32001	PUMP ASSY, OIL	1							
19	1	26216-100302	STUD, M10X 30	4							
20	1	129900-32030	O-RING, P20	1							
21	1	129900-32040	O-RING, P14	1							
22	1	129927-42140	GASKET, PUMP OUTLET	1							
23	1	24311-000070	O-RING, 1AP7.0	1							
24	1	24351-030750	O-RING, 1A3075	1							
25	1	26106-080162	BOLT, M8X 16 PLATED	1							
26	1	26106-080202	BOLT, M8X 20 PLATED	3							
27	1	26106-080202	BOLT, M8X 20 PLATED	1							
28	1	26106-080402	BOLT, M8X 40 PLATED	5							
29	1	26106-080452	BOLT, M8X 45 PLATED	3							
30	1	26106-080452	BOLT, M8X 45 PLATED	5							
31	1	26106-080702	BOLT, M8X 70 PLATED	6							
32	1	26106-080752	BOLT, M8X 75 PLATED	1							
33	1	26306-100002	NUT, M10	4							
34	1	124160-01751	CAP, FILLER	1							
35	1	24311-000320	O-RING, 1AP32.0	1							
36	1	124240-01871	COVER, HYDRAULIC PUMP	1							
37	1	129C26-01890	GASKET, PUMP	1							
38	1	26106-080162	BOLT, M8X 16 PLATED	4							
39	1	129900-01850	COVER ASSY, CASE	1							
40	2	129900-01870	SPONGE, COVER	1							
41	1	26106-080162	BOLT, M8X 16 PLATED	3							

Fig.3. FLYWHEEL HOUSING & OIL SUMP

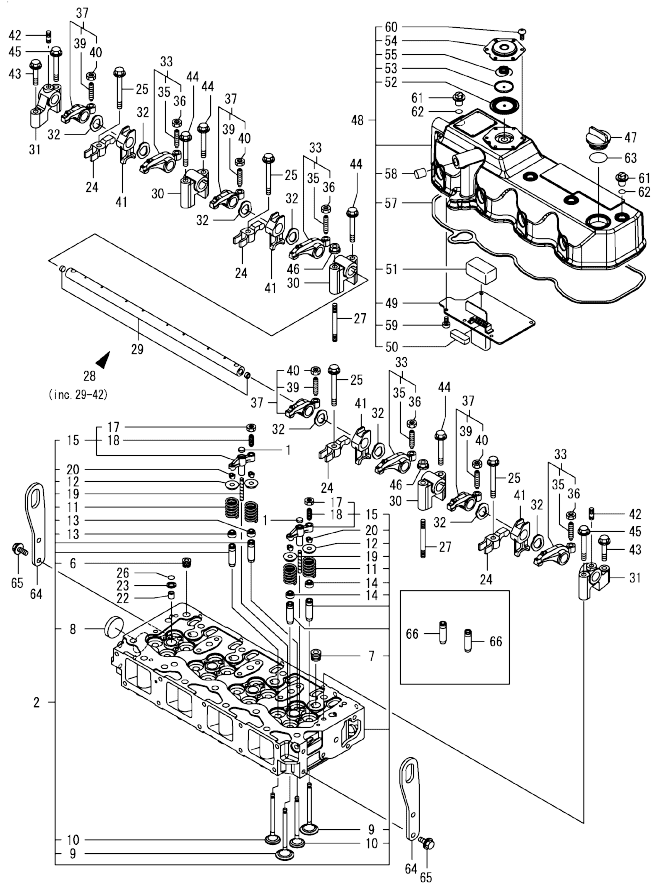


(A)=4TNV94L-8VTY2
(B)=
(C)=

(D)=
(E)=
(F)=

No.	Lev.	Parts No.	Description	Q'ty						I	R
				(A)	(B)	(C)	(D)	(E)	(F)		
1	1	129100-01580	PIN, PARALLEL 8X16	2							
2	1	129900-01620	HOUSING, FLYWHEEL	1							
4	1	119620-01750	CAP, WHEEL COVER	1							
5	1	26206-100352	BOLT, M10X 35 PLATED	9							
6	1	26206-100702	BOLT, M10X 70 PLATED	4							
7	1	129916-01790	SEAL, D115/95XT11	1							
8	1	129916-01710	OIL PAN ASSY	1							
9	2	119640-01640	PLUG, DRAIN M22	1							
11	2	22190-220002	WASHER, SEAL 22	1							
12	1	26106-080122	BOLT, M8X 12 PLATED	16							

Fig.4. CYLINDER HEAD & BONNET



(A)=4TNV94L-BVTY2
(B)=
(C)=

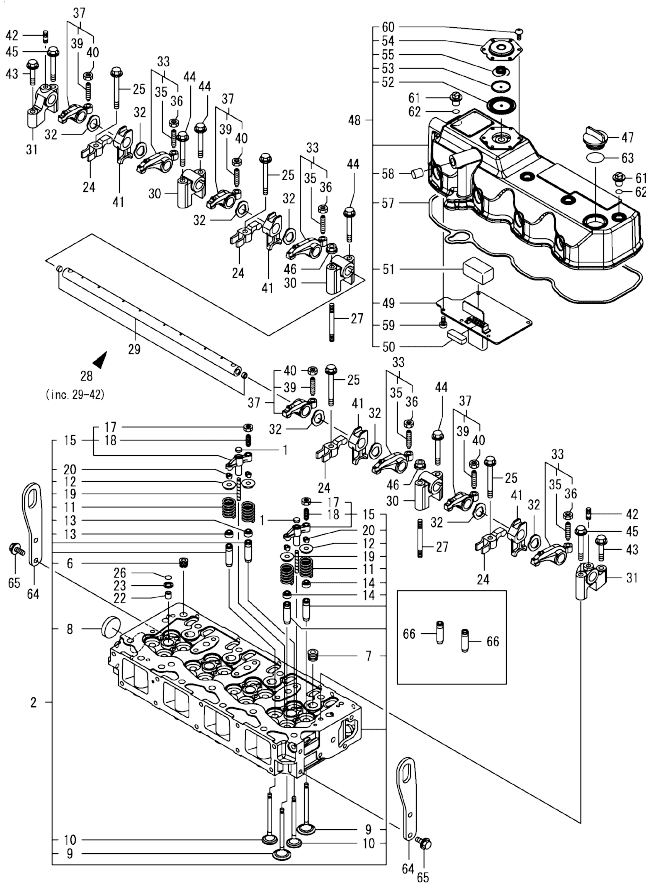
(D)=
(E)=
(F)=

No.	Lev.	Parts No.	Description	Q'ty						I	R
				(A)	(B)	(C)	(D)	(E)	(F)		
1	1	123907-11550	SEAT, VALVE BRIDGE	8							
2	1	129907-11700	HEAD ASSY, CYLINDER	1							
6	2	23876-020000	PLUG, R02	1							
7	2	23876-030000	PLUG, R03	4							
8	2	27241-400000	PLUG, 40	1							
9	2	129907-11100	VALVE, INTAKE	8							
10	2	129907-11110	VALVE, EXHAUST	8							
11	2	129907-11120	SPRING, VALVE	16							
12	2	119620-11180	RETAINER, SPRING	16							
13	2	119803-11340	SEAL, VALVE STEM	8							
14	2	124160-11340	SEAL, VALVE STEM	8							
15	2	129907-11510	BRIDGE ASSY, VALVE	8							
17	3	129150-11750	NUT, M8XP1.0	8							
18	3	123907-11830	ADJUSTER, BRIDGE	8							
19	2	123907-11820	GUIDE, BRIDGE	8							
20	2	27310-070001	COTTER, 7	16							
22	1	119802-11870	PROTECTOR, NOZZLE	4							
23	1	119625-11880	SEAT, NOZZLE	4							
24	1	129907-11910	RETAINER, NOZZLE	4							
25	1	129907-11950	BOLT, VALVE HOLDER	4							
26	1	24311-000120	O-RING, 1AP12.0	4							
27	1	119593-11301	STUD, M8X80	2							
28	1	129907-11341	SUPPORT ASSY, ROCKER	1							
29	2	129907-11250	SHAFT, ROCKER ARM	1							
30	2	129907-11260	SUPPORT, ROCKER A	3							
31	2	129907-11270	SUPPORT, ROCKER B	2							
32	2	123907-11280	WASHER, WAVE	8							
33	2	129907-11650	ARM ASSY, ROCKER INT	4							
35	3	129150-11230	SCREW, VALVE ADJUST	4							
36	3	129150-11750	NUT, M8XP1.0	4							
37	2	129907-11660	ARM ASSY, ROCKER EXH	4							
39	3	129150-11230	SCREW, VALVE ADJUST	4							
40	3	129150-11750	NUT, M8XP1.0	4							
41	2	129907-11920	RETAINER, NOZZLE	4							
42	2	26226-080222	STUD, M8X 22	2							
43	1	26106-080402	BOLT, M8X 40 PLATED	2							
44	1	26106-080602	BOLT, M8X 60 PLATED	4							
45	1	26106-080602	BOLT, M8X 60 PLATED	2							
46	1	26306-080002	NUT, M8	2							
47	1	124160-01751	CAP, FILLER	1							
48	1	129907-11321	BONNET ASSY, HEAD	1							
49	2	129907-03011	PLATE, BAFFLE	1							
50	2	129907-03061	BAFFLE, BREATHER	1							
51	2	129907-03070	BAFFLE, BREATHER	1							
52	2	123907-03100	DIAPHRAGM, BREATHER	1							
53	2	123907-03110	PLATE, CENTER	1							
54	2	123907-03120	PLATE, BREATHER	1							
55	2	123907-03140	SPRING, DIAPHRAGM	1							
57	2	129933-11310	GASKET, BONNET	1							
58	2	119640-61400	PLUG	1							
59	2	22857-500100	SCREW, 5X10	6							

Remarks

(1)Spare parts.

Fig.4. CYLINDER HEAD & BONNET



(A)=4TNV94L-BVTY2
(B)=
(C)=

(D)=
(E)=
(F)=

No.	Lev.	Parts No.	Description	Q'ty						I	R
				(A)	(B)	(C)	(D)	(E)	(F)		
60	2	22857-500100	SCREW, 5X10	6							
61	1	124160-11360	KNOB, BONNET	4							
62	1	24311-000120	O-RING, 1AP12.0	4							
63	1	24311-000320	O-RING, 1AP32.0	1							
64	1	129907-07900	LIFTER, ENGINE	2							
65	1	26106-080162	BOLT, M8X 16 PLATED	4							
66	1	129907-11800	GUIDE, VALVE	16							1

Remarks

(1) Spare parts.

Fig.5. SUCTION MANIFOLD

(A)=4TNV94L-8VTY2
(B)=
(C)=

(D)=
(E)=
(F)=

No.	Lev.	Parts No.	Description	Q'ty						I	R
				(A)	(B)	(C)	(D)	(E)	(F)		
1	1	129907-12110	GASKET, MANIFOLD	1							
2	1	129944-12111	MANIFOLD, INTAKE	1							
3	1	26106-080452	BOLT, M8X 45 PLATED	8							
4	1	26106-080802	BOLT, M8X 80 PLATED	2							
5	1	121850-77021	GASKET, AIR HEATER	1							
6	1	129915-77051	HEATER, AIR 12V	1							
7	1	26106-080352	BOLT, M8X 35 PLATED	4							

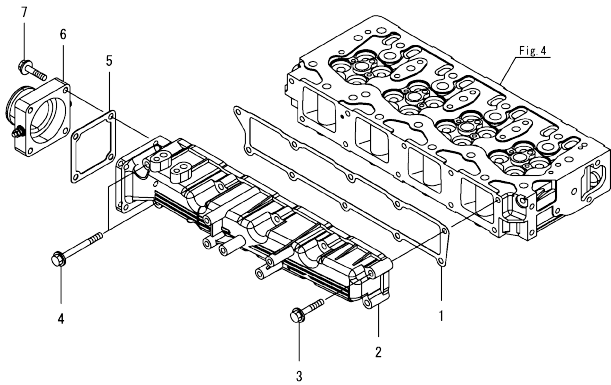
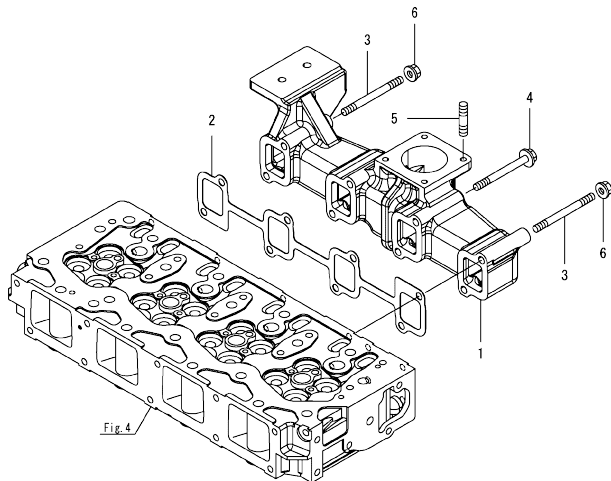


Fig.6. EXHAUST MANIFOLD

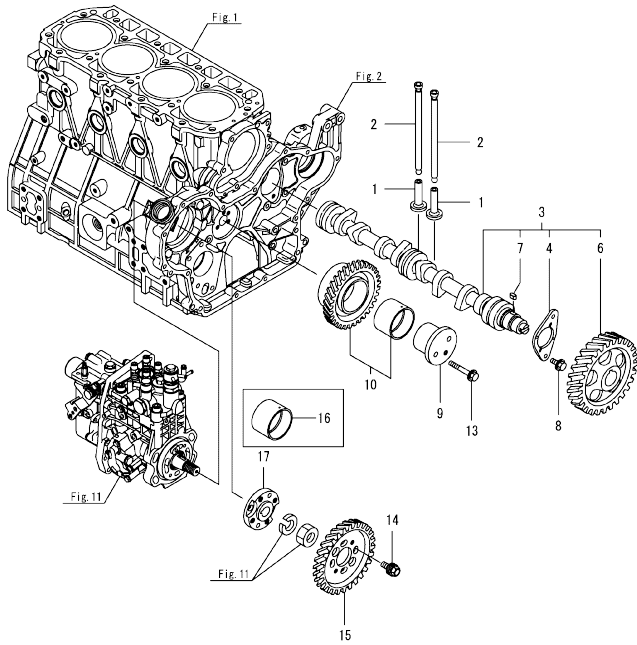


(A)=4TNV94L-BVTY2
(B)=
(C)=

(D)=
(E)=
(F)=

No.	Lev.	Parts No.	Description	Q'ty					
				(A)	(B)	(C)	(D)	(E)	(F)
1	1	129907-13201	MANIFOLD, EXHAUST	1					
2	1	129900-13251	GASKET, MANIFOLD	1					
3	1	123900-13610	STUD, M8X80	2					
4	1	129E00-13640	BOLT, M8X80 10.9T	6					
5	1	119131-18320	STUD, M8X22	4					
6	1	26306-080002	NUT, M8	2					

Fig.7. CAMSHAFT & DRIVING GEAR



(A)=4TNV94L-BVTY2
(B)=
(C)=

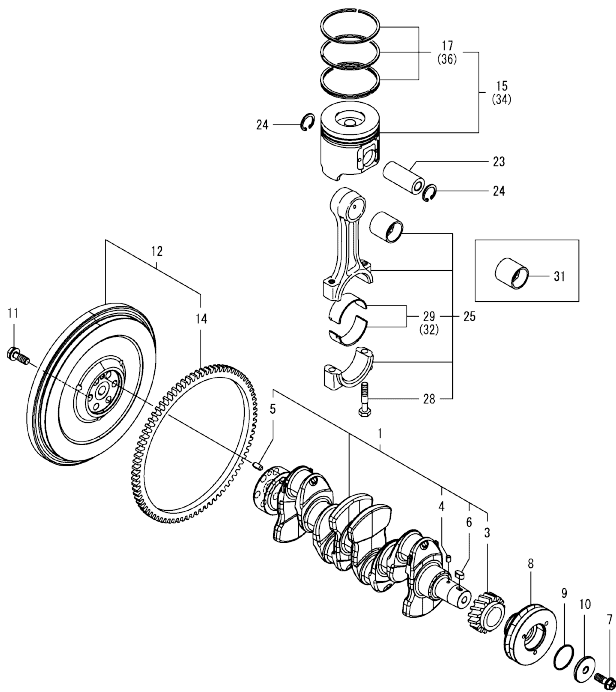
(D)=
(E)=
(F)=

No.	Lev.	Parts No.	Description	Q'ty						I	R
				(A)	(B)	(C)	(D)	(E)	(F)		
1	1	129150-14200	TAPPET	8							
2	1	129907-14400	ROD, PUSH	8							
3	1	129908-14581	CAMSHAFT ASSY	1							
4	2	129150-02450	METAL, THRUST	1							
6	2	129900-14100	GEAR, CAMSHAFT	1							
7	2	22512-070140	KEY, 7X 14	1							
8	1	26106-080142	BOLT, M8X 14 PLATED	2							
9	1	123900-25060	SHAFT, IDLE GEAR	1							
10	1	129927-25100	GEAR ASSY, IDLE	1							
13	1	26106-080552	BOLT, M8X 55 PLATED	3							
14	1	129953-25300	BOLT, PUMP BODY	4							
15	1	129907-25900	GEAR, PUMP	1							
16	1	129927-25920	BUSH, IDLE GEAR	1							1
17	1	158563-51150	FLANGE	1							

Remarks

(1)Spare parts.

Fig.8. CRANKSHAFT & PISTON



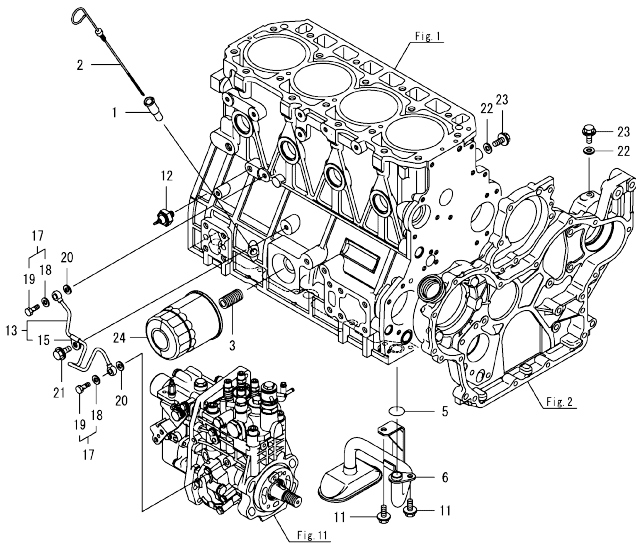
(A)=4TNV94L-8VTY2
(B)=
(C)=

(D)=
(E)=
(F)=

No.	Lev.	Parts No.	Description	Q'ty						I	R
				(A)	(B)	(C)	(D)	(E)	(F)		
1	1	129902-21000	CRANKSHAFT ASSY	1							
3	2	129900-21200	GEAR, CRANKSHAFT	1							
4	2	121850-21290	PIN, CRANK GEAR	1							
5	2	121850-21920	PIN, PARALLEL 10X22	1							
6	2	22512-070140	KEY, 7X 14	1							
7	1	129916-21610	BOLT, V-PULLEY	1							
8	1	129907-21650	V-PULLEY, CRANKSHAFT	1							
9	1	129960-21930	GASKET, WASHER	1							
10	1	129960-21940	WASHER, V-PULLEY	1							
11	1	121850-21130	BOLT, FLYWHEEL	6							
12	1	129916-21590	FLYWHEEL ASSY	1							
14	2	129900-21600	GEAR, RING	1							
15	1	129906-22090	PISTON ASSY	4							
17	2	129906-22050	RING SET, PISTON	4							
23	1	120130-22301	PIN, PISTON	4							
24	1	22252-000300	RING, 30	8							
25	1	129900-23001	ROD ASSY, CONNECTING	4							
28	2	129900-23200	BOLT, CONNECTING ROD	8							
29	2	129927-23600	BEARING ASSY, PIN	4							
31	1	129900-23911	METAL, PISTON PIN	4							1
32	1	129900-23611	METAL ASSY, PIN_25	4							2
34	1	129906-22910	PISTON ASSY, 0.25 OS	4							3
36	2	129916-22950	RING SET, PISTON_25	4							3

Remarks
(1)Spare parts.
(2)Under-sized(U.S.=0.25) parts.
(3)Over-sized(O.S.=0.25) parts.

Fig.9. LUB. OIL SYSTEM



(A)=4TNV94L-BVTY2
(B)=
(C)=

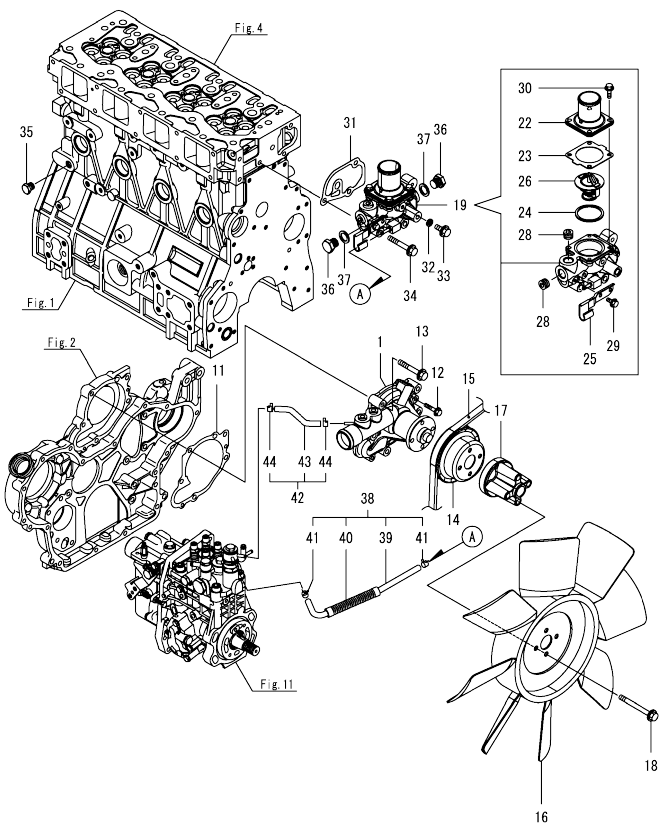
(D)=
(E)=
(F)=

No.	Lev.	Parts No.	Description	Q'ty						I	R
				(A)	(B)	(C)	(D)	(E)	(F)		
1	1	121520-34810	GUIDE, DIPSTICK	1							
2	1	129906-34851	DIPSTICK, OIL	1							
3	1	119000-35140	BOLT, FILTER	1							
5	1	129900-32030	O-RING, P20	1							
6	1	129953-35000	PIPE ASSY, OIL INLET	1							
11	1	26106-080122	BOLT, M8X 12 PLATED	2							
12	1	114250-39450	SWITCH, HYDRAULIC	1							
13	1	129907-39061	PIPE ASSY, OIL	1							
15	2	123907-39500	RETAINER, PIPE	1							
17	1	129005-59830	BOLT ASSY, JOINT M8	2							
18	2	22190-080002	WASHER, SEAL 8	2							
19	2	23857-030000	BOLT, JOINT 3	2							
20	1	22190-080002	WASHER, SEAL 8	2							
21	1	26106-080122	BOLT, M8X 12 PLATED	1							
22	1	22190-080002	WASHER, SEAL 8	2							
23	1	26106-080122	BOLT, M8X 12 PLATED	2							
24	1	119005-35151	FILTER, OIL D80X100	1							1

Remarks

(1)Spare parts.

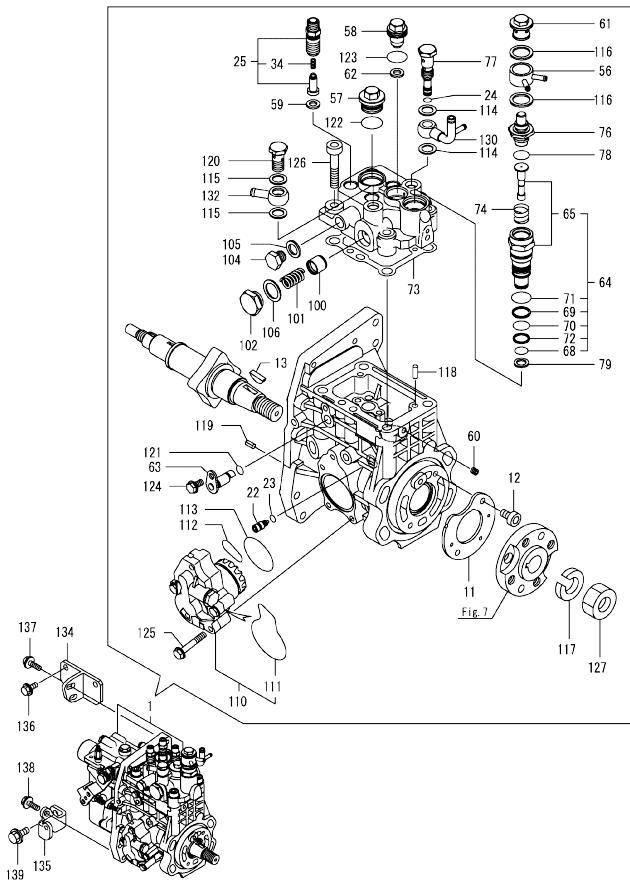
Fig.10. COOLING WATER SYSTEM



No.	Lev.	Parts No.	Description	Qty						I	R
				(A)	(B)	(C)	(D)	(E)	(F)		
1	1	129907-42002	PUMP ASSY, WATER	1							
11	1	129900-42020	GASKET, WATER PUMP	1							
12	1	26106-060302	BOLT, M6X 30 PLATED	2							
13	1	26106-080552	BOLT, M8X 55 PLATED	5							
14	1	129930-42450	V-PULLEY, PUMP	1							
15	1	129956-42290	V-BELT, A41.5	1							
16	1	129953-44710	FAN, COOLING D=460	1							
17	1	119117-44760	SPACER, FAN	1							
18	1	26106-080802	BOLT, M8X 80 PLATED	4							
19	1	129907-49800	CASE ASSY, THERMOSTAT	1							
22	2	129916-49530	COVER, THERMOSTAT	1							
23	2	121850-49540	GASKET, THERMOSTAT	1							
24	2	121850-49550	GASKET, THERMOSTAT	1							
25	2	129907-49730	RETAINER, PIPE	1							
26	2	121850-49811	THERMOSTAT, 71C	1							
28	2	23875-030000	PLUG, R03	2							
29	2	26106-060122	BOLT, M6X 12 PLATED	1							
30	2	26106-060202	BOLT, M6X 20 PLATED	4							
31	1	129900-49870	GASKET, THERMOSTAT	1							
32	1	23414-080000	GASKET, 8X1.0	1							
33	1	26106-080122	BOLT, M8X 12 PLATED	1							
34	1	26106-080602	BOLT, M8X 60 PLATED	3							
35	1	171056-49120	PLUG, DRAIN R1/4	1							
36	1	121450-42450	PLUG, M16	2							
37	1	124465-44950	GASKET, 16	2							
38	1	129907-49610	HOSE ASSY, WATER A	1							
39	2	129907-49710	HOSE, WATER A	1							
40	2	129907-49750	TUBE, CORRUGATED	1							
41	2	124722-59050	CLAMP, HOSE 9	2							
42	1	129907-49620	HOSE ASSY, WATER B	1							
43	2	129907-49720	HOSE, WATER B	1							
44	2	124722-59050	CLAMP, HOSE 9	2							

N:Old $\frac{100}{100}$ New, Q:Old $\frac{100}{100}$ New, R:Old $\frac{100}{100}$ New, S:Old $\frac{100}{100}$ New, W:Add, Z:Discontinued, F:Interchangeable by set, K:Qty Change
 Copyright (C) 2018 YANMAR GLOBAL CS CO., LTD. All Rights Reserved.

Fig.11. FUEL INJECTION PUMP



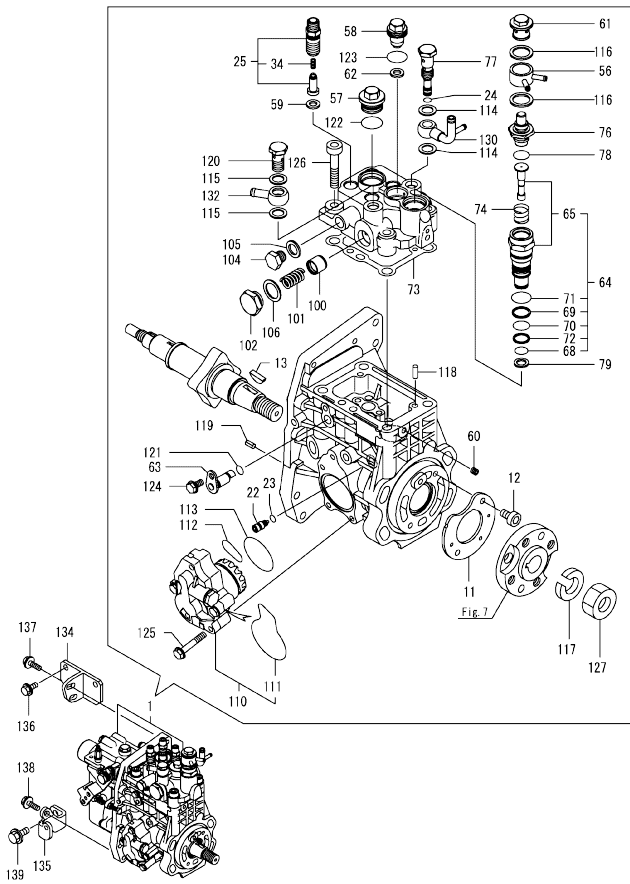
Remarks

(1)Governor(Fig.12) is incorporated in this Fuel Injection Pump(No.1).

No.	Lev.	Parts No.	Description	Q'ty						I	R	
				(A)	(B)	(C)	(D)	(E)	(F)			
1	1	729929-51340	FIE ASSY	1							1	
11	2	129928-51900	COVER, OIL	1								
12	2	129008-51920	BOLT, M6X10	2								
13	2	144626-51090	KEY, FEATHER 5X19	1								
22	2	158600-51270	STOPPER, TAPPET	1								
23	2	158563-51281	O-RING, 4D S6	1								
24	2	158563-51281	O-RING, 4D S6	1								
25	2	129509-51390	VALVE ASSY, DELIVERY	4								
34	3	158563-51330	SPRING, DELIVERY	4								
56	2	158553-51551	JOINT, COOLING WATER	1								
57	2	158601-51550	PLUG, M22	1								
58	2	129907-51560	PLUG, M16	1								
59	2	158552-51571	GASKET, BARREL PLUG	4								
60	2	158557-51570	PLUG, RACK	1								
61	2	158601-51570	PLUG	1								
62	2	129906-51580	GASKET, BARREL PLUG	1								
63	2	158552-51580	LIFTER, LINK	1								
64	2	119802-51590	TIMER ASSY	1								
65	3	119802-51600	TIMER ASSY	1								
68	3	158553-51670	O-RING, PUMP TIMER	1								
69	3	119802-51680	RING, BACKUP	1								
70	3	119802-51690	O-RING, 1016	1								
71	3	24356-190200	O-RING, 4D19020	1								
72	3	24372-000150	RING, BACK UP T2P15	1								
73	2	158560-51600	GASKET, HEAD	1								
74	2	158553-51630	SPRING, TIMER	1								
76	2	158553-51640	ELEMENT, THERMOSTAT	1								
77	2	158601-51650	JOINT, OVERFLOW	1								
78	2	158553-51660	O-RING, P14	1								
79	2	158553-51680	GASKET, TIMER	1								
100	2	158601-51770	PISTON, ACCUMULATOR	1								
101	2	158552-51781	SPRING, ACCUMULATOR	1								
102	2	158601-51790	PLUG, ACCUMULATOR	1								
104	2	158553-51930	PLUG, M12	1								
105	2	22190-120002	WASHER, SEAL 12	1								
106	2	22190-180002	WASHER, SEAL 18	1								
110	2	158552-52100	PUMP ASSY, FUEL FEED	1								
111	3	158552-52500	O-RING, PUMP INNER	1								
112	2	158552-52311	O-RING, FEED PUMP	1								
113	2	158552-52400	O-RING, 4E S42	1								
114	2	22190-120002	WASHER, SEAL 12	2								
115	2	22190-120002	WASHER, SEAL 12	2								
116	2	22190-180002	WASHER, SEAL 18	2								
117	2	22217-180000	WASHER, SPRING 18	1								
118	2	22312-050140	PIN, PARALLEL 5X14	2								
119	2	22351-050010	PIN, SPRING 5.0X10	2								
120	2	23857-060000	BOLT, JOINT 6	1								
121	2	24311-000070	O-RING, 1AP7.0	1								
122	2	24356-190200	O-RING, 4D19020	1								
123	2	24356-240210	O-RING, 4D24021	1								
124	2	26106-060102	BOLT, M6X 10 PLATED	1								

N:Old ^{REV}/_{REV} New, Q:Old ^{REV}/_{REV} New, R:Old ^{REV}/_{REV} New, S:Old ^{REV}/_{REV} New, W:Add, Z:Discontinued, F:Interchangeable by set, K:Q'ty Change
 ++ CONTINUE ++ Copyright (C) 2018 YANMAR GLOBAL CS CO., LTD. All Rights Reserved.

Fig.11. FUEL INJECTION PUMP



(A)=4TNV94L-BVTY2
(B)=
(C)=

(D)=
(E)=
(F)=

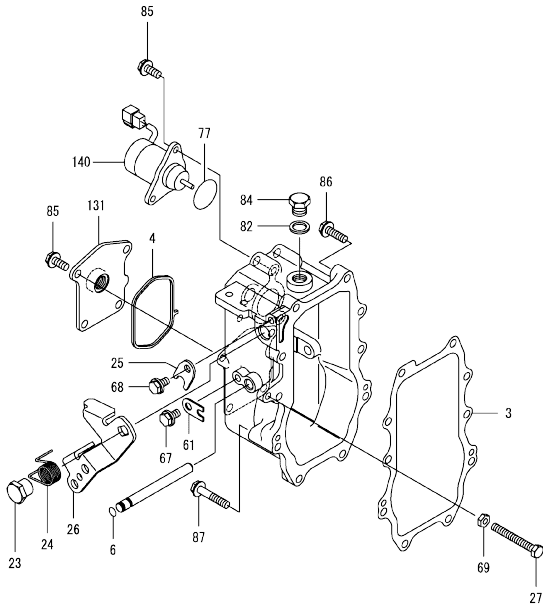
No.	Lev.	Parts No.	Description	Q'ty						I	R
				(A)	(B)	(C)	(D)	(E)	(F)		
125	2	26106-060352	BOLT, M6X 35 PLATED	4							
126	2	26450-100452	BOLT, M10X 45	4							
127	2	26776-180002	NUT, LOCK M18	1							
130	2	158552-51670	JOINT, OVERFLOW	1							
132	2	129916-59020	JOINT, PIPE 12	1							
134	1	129907-01950	RETAINER, PUMP UPPER	1							
135	1	129907-01960	RETAINER, PUMP LOWER	1							
136	1	26106-080162	BOLT, M8X 16 PLATED	2							
137	1	26106-080222	BOLT, M8X 22 PLATED	2							
138	1	26106-080222	BOLT, M8X 22 PLATED	1							
139	1	26106-100202	BOLT, M10X 20 PLATED	1							

Remarks

(1)Governor(Fig.12) is incorporated in this Fuel Injection Pump(No.1).

OCD50-M03630 ENGINE
 Fig.12. GOVERNOR

OCD50-M03630 Fig.12



(A)=4TNV94L-BVTY2
 (B)=
 (C)=

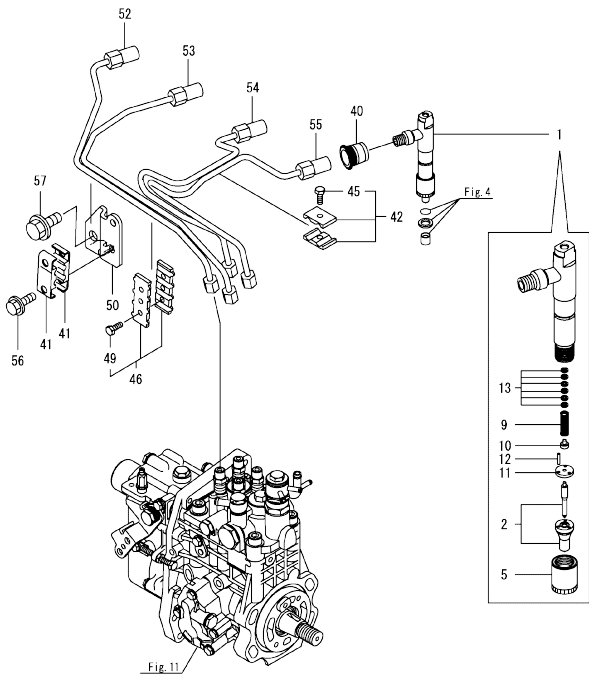
(D)=
 (E)=
 (F)=

No.	Lev.	Parts No.	Description	Q'ty					
				(A)	(B)	(C)	(D)	(E)	(F)
3	2	158560-61050	GASKET, CASE	1					
4	2	158560-61071	GASKET, CASE	1					
6	2	129155-51280	O-RING, S6	1					
23	2	129255-61410	NUT, CONTROL LEVER	1					
24	2	119807-61420	SPRING, RETURN	1					
25	2	158560-61430	STOPPER, SHAFT	1					
26	2	158560-61442	LEVER, REGULATOR	1					
27	2	129155-61461	BOLT, IDLE LIMIT	1					
61	2	119660-61901	STOPPER, SHAFT	1					
67	2	26106-060102	BOLT, M6X 10 PLATED	1					
68	2	26106-060102	BOLT, M6X 10 PLATED	1					
69	2	119740-61470	NUT	1					
77	2	158552-61900	O-RING	1					
82	2	22190-160002	WASHER, SEAL 16	1					
84	2	23887-160002	PLUG, 16	1					
85	2	26106-060142	BOLT, M6X 14 PLATED	6					
86	2	26106-060252	BOLT, M6X 25 PLATED	8					
87	2	26106-060402	BOLT, M6X 40 PLATED	2					
131	2	129906-61060	COVER, GOVERNOR CASE	1					
140	2	129630-77900	SOLENOID, STOP	1					

Remarks
 * This figure(Governor) is incorporated in the Fuel Injection Pump(Fig.11).

N:Old $\frac{100}{100}$ New, Q:Old $\frac{100}{100}$ New, R:Old $\frac{100}{100}$ New, S:Old $\frac{100}{100}$ New, W:Add, Z:Discontinued, F:Interchangeable by set, K:Q'ty Change
 Copyright (C) 2018 YANMAR GLOBAL CS CO., LTD. All Rights Reserved.

Fig.13. FUEL INJECTION VALVE



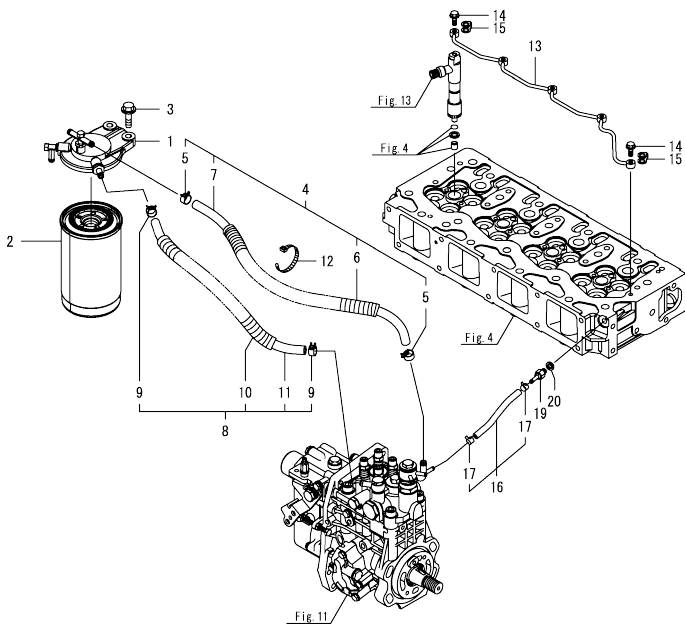
(A)=4TNV94L-BVTY2
(B)=
(C)=

(D)=
(E)=
(F)=

No.	Lev.	Parts No.	Description	Q'ty						I	R
				(A)	(B)	(C)	(D)	(E)	(F)		
1	1	729906-53100	VALVE ASSY,INJECTION	4							
2	2	129906-53000	VALVE ASSY,INJECTION	4							
5	2	114250-53080	NUT, NOZZLE	4							
9	2	114250-53120	SPRING, NOZZLE	4							
10	2	114250-53130	SEAT, SPRING	4							
11	2	114250-53140	SPACER, VALVE STOP	4							
12	2	114250-53210	PIN, POSITIONING	8							
13	2	119803-53400	SHIM SET	4							1
40	1	123907-11601	SEAL, PIPE	4							
41	1	122780-59100	RETAINER, PIPE	2							
42	1	119305-59120	RETAINER, PIPE	1							
45	2	129150-59131	BOLT, M4X14	1							
46	1	129550-59120	RETAINER, PIPE	1							
49	2	129150-59131	BOLT, M4X14	2							
50	1	129907-59710	SUPPORT, PIPE CLAMP	1							
52	1	129907-59810	PIPE ASSY, INJECTION	1							
53	1	129907-59820	PIPE ASSY, INJECTION	1							
54	1	129907-59830	PIPE ASSY, INJECTION	1							
55	1	129907-59840	PIPE ASSY, INJECTION	1							
56	1	26106-060162	BOLT, M6X 16 PLATED	2							
57	1	26106-080182	BOLT, M8X 18 PLATED	1							

Remarks
(1)Spare parts.

Fig.14. FUEL PIPE

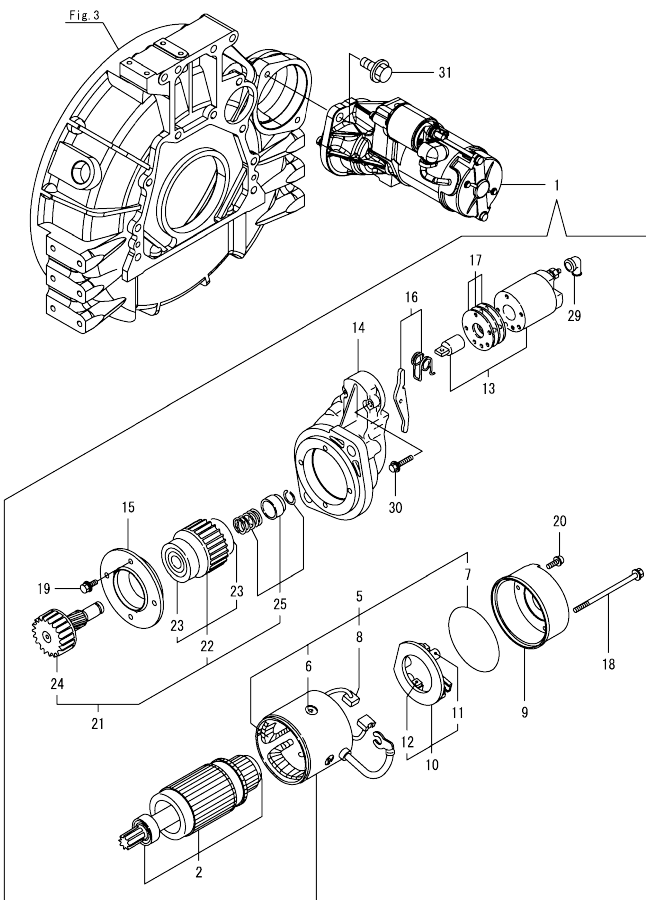


(A)=4TNV94L-BVTY2
(B)=
(C)=

(D)=
(E)=
(F)=

No.	Lev.	Parts No.	Description	Q'ty						I	R
				(A)	(B)	(C)	(D)	(E)	(F)		
1	1	129004-55612	BRACKET, FILTER	1							
2	1	129907-55801	FILTER, FUEL	1							
3	1	26106-080302	BOLT, M8X 30 PLATED	2							
4	1	129457-59010	HOSE ASSY, FUEL	1							
5	2	124766-59050	CLAMP, HOSE 11.5	2							
6	2	129957-59120	TUBE, CORRUGATED 15	1							
7	2	105025-59750	HOSE, FUEL	1							
8	1	129981-59010	HOSE ASSY, FUEL	1							
9	2	124766-59050	CLAMP, HOSE 11.5	2							
10	2	129950-59221	TUBE, CORRUGATED 15	1							
11	2	129980-59510	HOSE, FUEL	1							
12	1	121750-59890	BAND, NYLON	1							
13	1	129907-59140	PIPE ASSY, RETURN	1							
14	1	123907-59540	BOLT, PIPE JOINT M6	5							
15	1	123907-59550	GASKET, FUEL RETURN	5							
16	1	129486-59551	HOSE ASSY, RETURN	1							
17	2	124722-59050	CLAMP, HOSE 9	2							
19	1	123907-59560	JOINT, HOSE	1							
20	1	22190-080002	WASHER, SEAL 8	1							

Fig.15. STARTER MOTOR

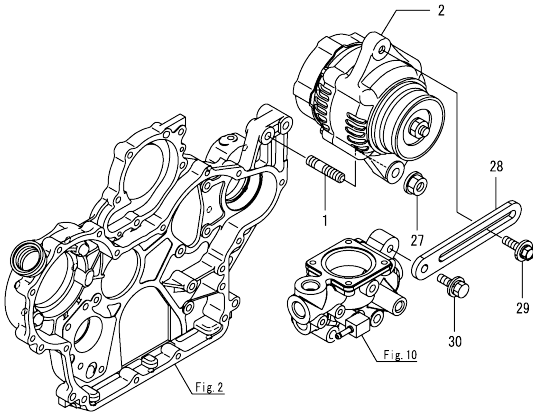
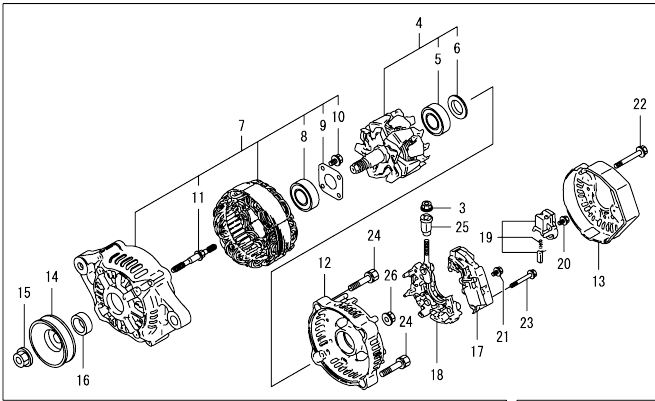


(A)=4TNV94L-BVTY2
(B)=
(C)=

(D)=
(E)=
(F)=

No.	Lev.	Parts No.	Description	Qty						I	R
				(A)	(B)	(C)	(D)	(E)	(F)		
1	1	129940-77011	STARTER, 12V.3KW	1							
2	2	129940-77100	ARMATURE ASSY	1							
5	2	129940-77130	COIL ASSY, FIELD	1							
6	3	129940-77140	SCREW, CORE SET	4							
7	3	129940-77150	O-RING	1							
8	3	129940-77160	BRUSH, +	2							
9	2	129940-77171	COVER, REAR	1							
10	2	129940-77181	HOLDER ASSY, BRUSH	1							
11	3	129940-77190	SPRING, BRUSH	1							
12	3	129940-77200	BRUSH, -	2							
13	2	129940-77210	SWITCH ASSY, MAGNET	1							
14	2	129940-77221	CASE, GEAR	1							
15	2	129940-77230	RETAINER, BEARING	1							
16	2	129940-77240	LEVER SET, SHIFT	1							
17	2	129940-77250	COVER KIT, DUST	1							
18	2	129940-77260	BOLT, THROUGH	2							
19	2	129940-77270	BOLT, M6X20	4							
20	2	129940-77280	SCREW, M4	2							
21	2	123900-77510	CLUTCH ASSY, PINION	1							
22	3	123900-77520	CLUTCH ASSY	1							
23	4	X2240610100	BEARING, BALL	2							
24	3	123900-77540	SHAFT, PINION	1							
25	3	119131-77550	STOPPER SET, PINION	1							
29	2	121254-77810	COVER, TERMINAL M	1							
30	2	114371-79070	BOLT, M6	2							
31	1	26106-120252	BOLT, M12X 25 PLATED	2							

Fig.16. GENERATOR



(A)=4TNV94L-BVTY2
(B)=
(C)=

(D)=
(E)=
(F)=

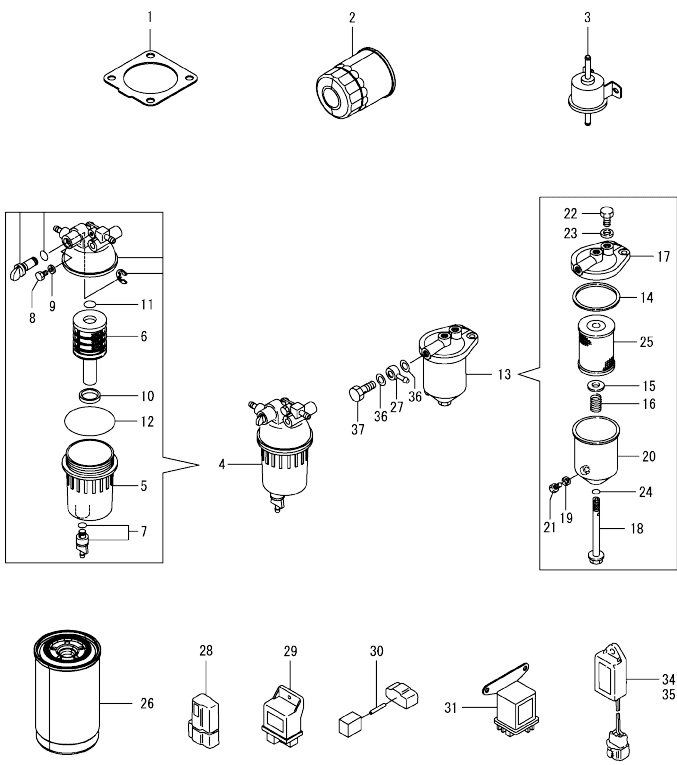
No.	Lev.	Parts No.	Description	Qty						I	R
				(A)	(B)	(C)	(D)	(E)	(F)		
1	1	129795-01900	BOLT, M10X30	1							
2	1	119626-77220	ALTERNATOR, 12V-55A	1							
3	2	X9490561001	NUT	1							
4	2	129052-77380	ROTOR ASSY	1							
5	3	123501-79240	BEARING, BALL	1							
6	3	119620-79250	COVER, BEARING	1							
7	2	129052-77422	FRAME ASSY	1							
8	3	119620-79200	BEARING, BALL	1							
9	3	119620-79210	PLATE, RETAINER	1							
10	3	119620-79220	SCREW	4							
11	3	119620-79230	STUD	2							
12	2	128401-77440	COVER, END	1							
13	2	119626-77450	COVER, END	1							
14	2	119620-77461	PULLEY, GENERATOR	1							
15	2	119620-77471	NUT	1							
16	2	119620-77490	COLLAR	1							
17	2	129423-77720	REGULATOR ASSY	1							
18	2	129052-79260	HOLDER ASSY	1							
19	2	129052-79270	HOLDER ASSY, BRUSH	1							
20	2	119620-79290	SCREW	6							
21	2	119620-79300	SCREW	1							
22	2	119620-79310	BOLT	3							
23	2	119620-79320	SCREW, W/WASHER	2							
24	2	119620-79330	BOLT	2							
25	2	119620-79340	BUSH, INSULATION	1							
26	2	119620-79350	NUT	2							
27	1	26306-100002	NUT, M10	1							
28	1	129900-77330	ADJUSTER, BELT	1							
29	1	119810-77340	BOLT, ADJUSTER L=30	1							
30	1	26014-080252	BOLT, M8X 25	1							

OCD50-M03630 ENGINE
Fig.17. ACCESSORY

OCD50-M03630 Fig.17

(A)=4TNV94L-8VTY2
(B)=
(C)=

(D)=
(E)=
(F)=



No.	Lev.	Parts No.	Description	Q'ty						I	R
				(A)	(B)	(C)	(D)	(E)	(F)		
1	1	129930-13201	GASKET, SILENCER	1							
2	1	119005-35151	FILTER, OIL D80X100	1							
3	1	129612-52100	PUMP, FUEL FEED	1							
4	1	129242-55701	SEPARATOR ASSY,WATER	1							
5	2	129242-55720	CUP, SEPARATOR	1							
6	2	129242-55730	ELEMENT, FUEL FILTER	1							
7	2	129242-55740	PLUG, DRAIN	1							
8	2	129242-55750	VALVE, AIR VENT	1							
9	2	129242-55760	GASKET, PLUG	1							
10	2	129242-55770	FLOAT	1							
11	2	24311-000160	O-RING, 1AP16.0	1							
12	2	24321-000750	O-RING, 1AG75.0	1							
13	1	129065-55750	SEPARATOR ASSY,WATER	1							
14	2	123325-35140	GASKET, COVER	1							
15	2	123325-35160	SEAT, SPRING	1							
16	2	129065-55170	SPRING, FILTER	1							
17	2	129495-55610	BODY, STRAINER	1							
18	2	129495-55620	BOLT, CENTER	1							
19	2	123672-55760	GASKET	1							
20	2	129065-55760	CASE, SEPARATOR	1							
21	2	129065-55770	PLUG, DRAIN M8	1							
22	2	129065-55800	PLUG, M14	1							
23	2	123678-55890	GASKET, PLUG	1							
24	2	24311-000120	O-RING, 1AP12.0	1							
25	2	41650-550800	ELEMENT, FUEL	1							
26	1	129907-55801	FILTER, FUEL	1							
27	1	121855-59880	JOINT, FUEL PIPE	2							
28	1	119643-66900	DIODE	1							
29	1	119802-77200	RELAY, SAFETY	1							
30	1	129457-77511	CONNECTOR	1							
31	1	119650-77911	RELAY ASSY, GLOW	1							
34	1	128300-77920	TIMER, GLOW PLUG	1							
35	1	129211-77920	TIMER, SECTION 1	1							
36	1	22190-140002	WASHER, SEAL 14	4							
37	1	23857-080000	BOLT, JOINT 8	2							

N:Old $\frac{100}{100}$ New, Q:Old $\frac{100}{100}$ New, R:Old $\frac{100}{100}$ New, S:Old $\frac{100}{100}$ New, W:Add, Z:Discontinued, F:Interchangeable by set, K:Q'ty Change
Copyright (C) 2018 YANMAR GLOBAL CS CO., LTD. All Rights Reserved.

Parts No. Index

Parts No.	Fig. No.	Ref. No.
105025-59750	14	7
114250-39450	9	12
114250-53080	13	5
114250-53120	13	9
114250-53130	13	10
114250-53140	13	11
114250-53210	13	12
114371-79070	15	30
119000-35140	9	3
119005-35151	9	24
	17	2
119117-44760	10	17
119131-18320	6	5
119131-77550	15	25
119305-59120	13	42
119593-11301	4	27
119620-01750	3	4
119620-11180	4	12
119620-77461	16	14
119620-77471	16	15
119620-77490	16	16
119620-79200	16	8
119620-79210	16	9
119620-79220	16	10
119620-79230	16	11
119620-79250	16	6
119620-79290	16	20
119620-79300	16	21
119620-79310	16	22
119620-79320	16	23
119620-79330	16	24
119620-79340	16	25
119620-79350	16	26
119625-11880	4	23
119626-77220	16	2
119626-77450	16	13
119640-01640	3	9
119640-61400	4	58
119643-66900	17	28
119650-77911	17	31
119660-61901	12	61
119740-61470	12	69
119802-11870	4	22
119802-51590	11	64
119802-51600	11	65
119802-51680	11	69
119802-51690	11	70
119802-77200	17	29
119803-11340	4	13
119803-53400	13	13

Parts No.	Fig. No.	Ref. No.
119807-61420	12	24
119810-77340	16	29
120130-22301	8	23
121254-77810	15	29
121450-42450	10	36
121520-34810	9	1
121750-59890	14	12
121850-21130	8	11
121850-21290	8	4
121850-21920	8	5
121850-49540	10	23
121850-49550	10	24
121850-49811	10	26
121850-77021	5	5
121855-59880	17	27
122780-59100	13	41
123325-35140	17	14
123325-35160	17	15
123501-79240	16	5
123672-55760	17	19
123678-55890	17	23
123900-13610	6	3
123900-25060	7	9
123900-77510	15	21
123900-77520	15	22
123900-77540	15	24
123907-03100	4	52
123907-03110	4	53
123907-03120	4	54
123907-03140	4	55
123907-11280	4	32
123907-11550	4	1
123907-11601	13	40
123907-11820	4	19
123907-11830	4	18
123907-39500	9	15
123907-59540	14	14
123907-59550	14	15
123907-59560	14	19
124160-01751	2	34
	4	47
124160-11340	4	14
124160-11360	4	61
124240-01871	2	36
124465-44950	10	37
124722-59050	10	41
	44	44
	14	17
124766-59050	14	5
	9	9

Parts No.	Fig. No.	Ref. No.
128300-77920	17	34
128401-77440	16	12
129004-55612	14	1
129005-59830	9	17
129008-51920	11	12
129052-77380	16	4
129052-77422	16	7
129052-79260	16	18
129052-79270	16	19
129065-55170	17	16
129065-55750	17	13
129065-55760	17	20
129065-55770	17	21
129065-55800	17	22
129100-01580	2	4
	3	1
129150-02450	7	4
129150-11230	4	35
	39	39
129150-11750	4	17
	36	36
	40	40
129150-14200	7	1
129150-59131	13	45
	49	49
129155-51280	12	6
129155-61461	12	27
129211-77920	17	35
129242-55701	17	4
129242-55720	17	5
129242-55730	17	6
129242-55740	17	7
129242-55750	17	8
129242-55760	17	9
129242-55770	17	10
129255-61410	12	23
129423-77720	16	17
129457-59010	14	4
129457-77511	17	30
129486-59551	14	16
129495-55610	17	17
129495-55620	17	18
129509-51390	11	25
129550-59120	13	46
129612-52100	17	3
129630-77900	12	140
129795-01900	16	1
129900-01200	1	27
129900-01250	1	4
129900-01620	3	2

Parts No.	Fig. No.	Ref. No.
129900-01850	2	39
129900-01870	2	40
129900-02020	1	6
129900-02410	1	9
129900-13251	6	2
129900-14100	7	6
129900-21200	8	3
129900-21600	8	14
129900-23001	8	25
129900-23200	8	28
129900-23611	8	32
129900-23911	8	31
129900-32001	2	8
129900-32030	2	20
	9	5
129900-32040	2	21
129900-42020	10	11
129900-49870	10	31
129900-77330	16	28
129902-21000	8	1
129906-01350	1	28
129906-22050	8	17
129906-22090	8	15
129906-22910	8	34
129906-34851	9	2
129906-51580	11	62
129906-53000	13	2
129906-61060	12	131
129907-01190	1	29
129907-01500	2	7
129907-01950	11	134
129907-01960	11	135
129907-03011	4	49
129907-03061	4	50
129907-03070	4	51
129907-07900	4	64
129907-11100	4	9
129907-11110	4	10
129907-11120	4	11
129907-11250	4	29
129907-11260	4	30
129907-11270	4	31
129907-11321	4	48
129907-11341	4	28
129907-11510	4	15
129907-11650	4	33
129907-11660	4	37
129907-11700	4	2
129907-11800	4	66
129907-11910	4	24

Parts No. Index

Parts No.	Fig. No.	Ref. No.	Parts No.	Fig. No.	Ref. No.	Parts No.	Fig. No.	Ref. No.	Parts No.	Fig. No.	Ref. No.
129907-11920	4	41	129940-77150	15	7	158560-61442	12	26	24311-000160	17	11
129907-11950	4	25	129940-77160	15	8	158563-51150	7	17	24311-000320	2	35
129907-12110	5	1	129940-77171	15	9	158563-51281	11	23		4	63
129907-13201	6	1	129940-77181	15	10			24	24321-000750	17	12
129907-14400	7	2	129940-77190	15	11	158563-51330	11	34	24351-030750	2	24
129907-21650	8	8	129940-77200	15	12	158600-51270	11	22	24356-190200	11	71
129907-25900	7	15	129940-77210	15	13	158601-51550	11	57			122
129907-39061	9	13	129940-77221	15	14	158601-51570	11	61	24356-240210	11	123
129907-42002	10	1	129940-77230	15	15	158601-51650	11	77	24372-000150	11	72
129907-49610	10	38	129940-77240	15	16	158601-51770	11	100	26014-080252	16	30
129907-49620	10	42	129940-77250	15	17	158601-51790	11	102	26106-060102	11	124
129907-49710	10	39	129940-77260	15	18	171051-01921	1	5		12	67
129907-49720	10	43	129940-77270	15	19	171056-49120	10	35	26106-060122	10	29
129907-49730	10	25	129940-77280	15	20	22190-080002	9	18	26106-060142	12	85
129907-49750	10	40	129944-12111	5	2			20	26106-060162	13	56
129907-49800	10	19	129950-59221	14	10			22	26106-060202	10	30
129907-51560	11	58	129951-01740	2	5			20	26106-060252	12	86
129907-55801	14	2	129953-25300	7	14	22190-120002	11	105	26106-060302	10	12
	17	26	129953-35000	9	6			114	26106-060352	11	125
129907-59140	14	13	129953-44710	10	16			115	26106-060402	12	87
129907-59710	13	50	129956-42290	10	15	22190-140002	17	36	26106-080122	3	12
129907-59810	13	52	129957-59120	14	6	22190-160002	12	82		9	11
129907-59820	13	53	129960-21930	8	9	22190-180002	11	106			21
129907-59830	13	54	129960-21940	8	10			116			23
129907-59840	13	55	129980-59510	14	11	22190-220002	3	11			33
129908-14581	7	3	129981-59010	14	8	22217-180000	11	117	26106-080142	7	8
129915-77051	5	6	129C26-01890	2	37	22252-000300	8	24	26106-080162	2	25
129916-01710	3	8	129E00-13640	6	4	22312-050140	11	118			38
129916-01790	3	7	144626-51090	11	13	22351-050010	11	119			41
129916-01800	2	3	158552-51571	11	59	22351-060012	1	10			65
129916-21590	8	12	158552-51580	11	63	22512-070140	7	7		4	136
129916-21610	8	7	158552-51670	11	130		8	6	26106-080182	11	57
129916-22950	8	36	158552-51781	11	101	22857-500100	4	59	26106-080202	13	26
129916-49530	10	22	158552-52100	11	110			60		2	27
129916-59020	11	132	158552-52311	11	112	23414-080000	10	32	26106-080222	11	137
129927-02340	1	33	158552-52400	11	113	23857-030000	9	19			138
129927-02930	1	24	158552-52500	11	111	23857-060000	11	120	26106-080302	14	3
129927-02940	1	36	158552-61900	12	77	23857-080000	17	37	26106-080352	5	7
129927-23600	8	29	158553-51551	11	56	23875-030000	10	28	26106-080402	2	28
129927-25100	7	10	158553-51630	11	74	23876-020000	4	6		4	43
129927-25920	7	16	158553-51640	11	76	23876-030000	1	11	26106-080452	2	29
129927-42140	2	22	158553-51660	11	78			12			30
129928-51900	11	11	158553-51670	11	68			13			5
129930-13201	17	1	158553-51680	11	79			4			3
129930-42450	10	14	158553-51930	11	104	23887-160002	12	84	26106-080552	7	13
129933-11310	4	57	158557-51570	11	60	24311-000070	2	23		10	13
129940-77011	15	1	158560-51600	11	73			11	26106-080602	4	44
129940-77100	15	2	158560-61050	12	3			12			45
129940-77130	15	5	158560-61071	12	4	24311-000120	4	26		10	34
129940-77140	15	6	158560-61430	12	25			62	26106-080702	2	31
								24			

Parts No. Index

Parts No.	Fig. No.	Ref. No.
26106-080752	2	32
26106-080802	5	4
	10	18
26106-100202	11	139
26106-120252	15	31
26206-100352	3	5
26206-100702	3	6
26216-100302	2	19
26226-080222	4	42
26306-080002	4	46
	6	6
26306-100002	2	33
	16	27
26450-100452	11	126
26776-180002	11	127
27241-300000	1	14
27241-400000	4	8
27310-070001	4	20
41650-550800	17	25
729906-01561	1	1
729906-53100	13	1
729907-01559	2	1
729927-02800	1	30
729929-51340	11	1
X2240610100	15	23
X9490561001	16	3

Parts No.	Fig. No.	Ref. No.
-----------	----------	----------

Parts No.	Fig. No.	Ref. No.
-----------	----------	----------

Parts No.	Fig. No.	Ref. No.
-----------	----------	----------