

0CD50-M00070EN

# P R E F A C E

This parts catalog is the 1st edition of 4TNV94L-BXPHZ for Hangcha.

Published : December, 2013

## Contents

0CD50-M00070

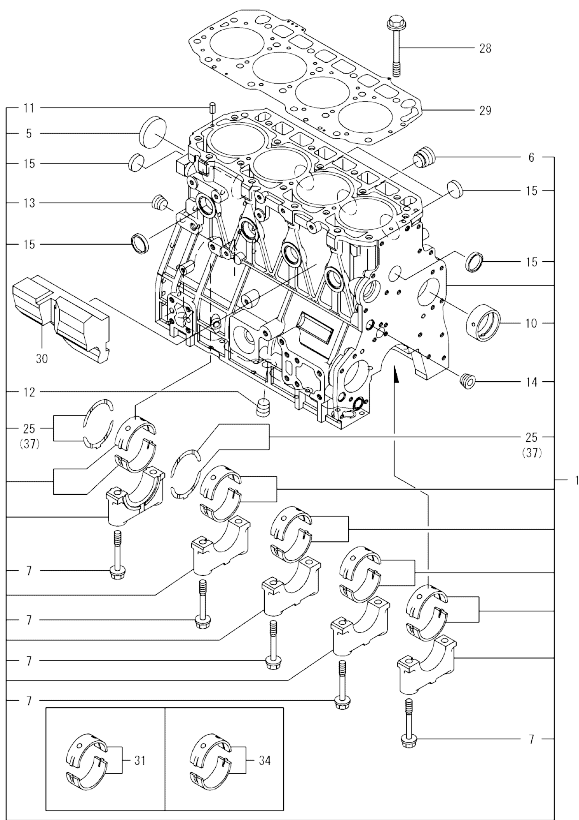
Fig. No.	Fig. Name	Fig. No.	Fig. Name
4	TNV94L-BXPHZ		
1.	CYLINDER BLOCK		
2.	GEAR HOUSING		
3.	FLYWHEEL HOUSING & OIL SUMP		
4.	CYLINDER HEAD & BONNET		
5.	SUCTION MANIFOLD		
6.	EXHAUST MANIFOLD		
7.	CAMSHAFT & DRIVING GEAR		
8.	CRANKSHAFT & PISTON		
9.	LUB. OIL SYSTEM		
10.	COOLING WATER SYSTEM		
11.	FUEL INJECTION PUMP		
12.	GOVERNOR		
13.	FUEL INJECTION VALVE		
14.	FUEL PIPE		
15.	STARTING MOTOR		
16.	GENERATOR		

OCD50-M00070 4TNV94L-BXPHZ  
 Fig.1. CYLINDER BLOCK

OCD50-M00070 Fig.1

(A)=4TNV94L-BXPHZ  
 (B)=  
 (C)=

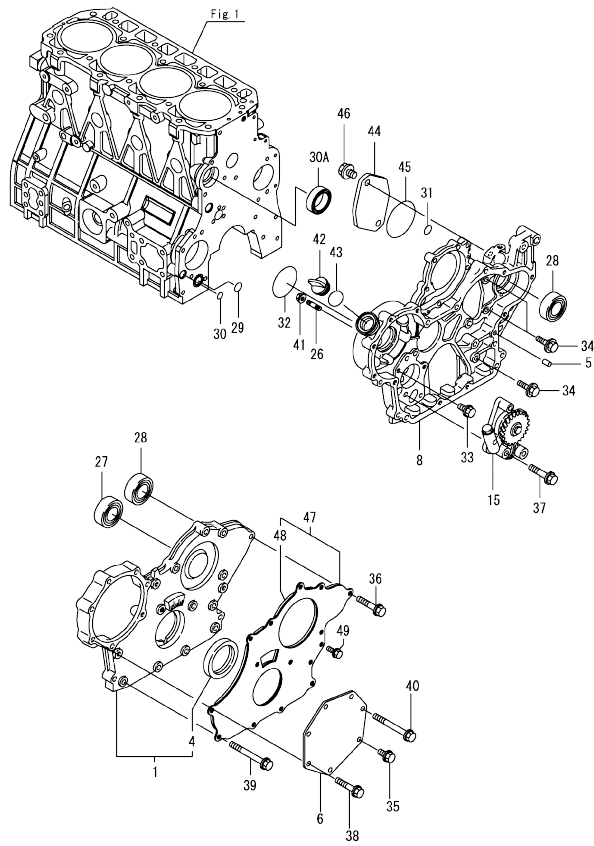
(D)=  
 (E)=  
 (F)=



No.	Lev.	Parts No.	Description	Q'ty						I	R
				(A)	(B)	(C)	(D)	(E)	(F)		
1	1	729906-01561	BLOCK ASSY, CYLINDER	1							
5	2	129900-01250	PLUG, 55	1							
6	2	171051-01921-Z	PLUG, NPTF1	1							
7	2	129900-02020	BOLT, METAL CAP	10							
10	2	129900-02410	BUSH, CAMSHAFT	1							
11	2	22351-060012	PIN, SPRING 6.0X12	2							
12	2	23876-030000	PLUG, R03	1							
13	2	23876-030000	PLUG, R03	1							
14	2	23876-030000	PLUG, R03	1							
15	2	27241-300000	PLUG 30	8							
25	2	129900-02931	METAL ASSY, THRUST	2							
28	1	129900-01200	BOLT, CYLINDER HEAD	18							
29	1	129906-01350	GASKET, HEAD	1							
30	1	129907-01190	SPACER	1							
31	1	729900-02801	METAL ASSY, MAIN	5							1
34	1	129900-02341	METAL ASSY, MAIN .25	5							2
37	1	129900-02941	METAL ASSY, 0.25 OS	2							3

Remarks  
 (1)Spare part.  
 (2)Under-sized(U.S.=0.25)part.  
 (3)Over-sized(O.S.=0.25)part.

OCD50-M00070 4TNV94L-BXPHZ  
 Fig.2. GEAR HOUSING



OCD50-M00070 Fig.2

No.	Lev.	Parts No.	Description	Q'ty						I	R
				(A)	(B)	(C)	(D)	(E)	(F)		
1	1	729907-01550	COVER ASSY, CASE	1							
4	2	129900-01780	SEAL, OIL	1							
4-1	2	129916-01800	SEAL, OIL	1							N
(A=EH3849)											
5	1	129100-01580	PIN, PARALLEL 8X16	4							
6	1	129951-01740	COVER, PUMP TIMING	1							
8	2	129962-01500	CASE, GEAR	1							
15	1	129900-32001	PUMP ASSY, OIL	1							
26	1	26216-100302	STUD, M10X 30	4							
27	1	129900-14140	BEARING, BALL 6205	1							
28	1	129900-26250	BEARING, BALL 6206C3	2							
29	1	129900-32030	O-RING, P20	1							
30	1	129900-32040	O-RING, P14	1							
30A	1	129927-42140	GASKET, PUMP OUTLET	1							W
(A=EF9765)											
31	1	24311-000070	O-RING, 1AP7.0	1							
32	1	24351-030750	O-RING, 1A3075	1							
33	1	26106-080162	BOLT, M8X 16 PLATED	1							
34	1	26106-080202	BOLT, M8X 20 PLATED	3							
35	1	26106-080202	BOLT, M8X 20 PLATED	1							
36	1	26106-080402	BOLT, M8X 40 PLATED	5							
37	1	26106-080452	BOLT, M8X 45 PLATED	3							
38	1	26106-080452	BOLT, M8X 45 PLATED	5							
39	1	26106-080702	BOLT, M8X 70 PLATED	6							
40	1	26106-080752	BOLT, M8X 75 PLATED	1							
41	1	26306-100002	NUT, M10	4							
42	1	124160-01751	CAP, FILLER	1							
43	1	24311-000320	O-RING, 1AP32.0	1							
44	1	121023-26071	COVER, PUMP	1							
45	1	24321-000850	O-RING, 1AG85.0	1							
46	1	26106-100202	BOLT, M10X 20 PLATED	2							
47	1	129900-01850	COVER ASSY, CASE	1							
48	2	129900-01870	SPONGE, COVER	1							
49	1	26106-080162	BOLT, M8X 16 PLATED	3							

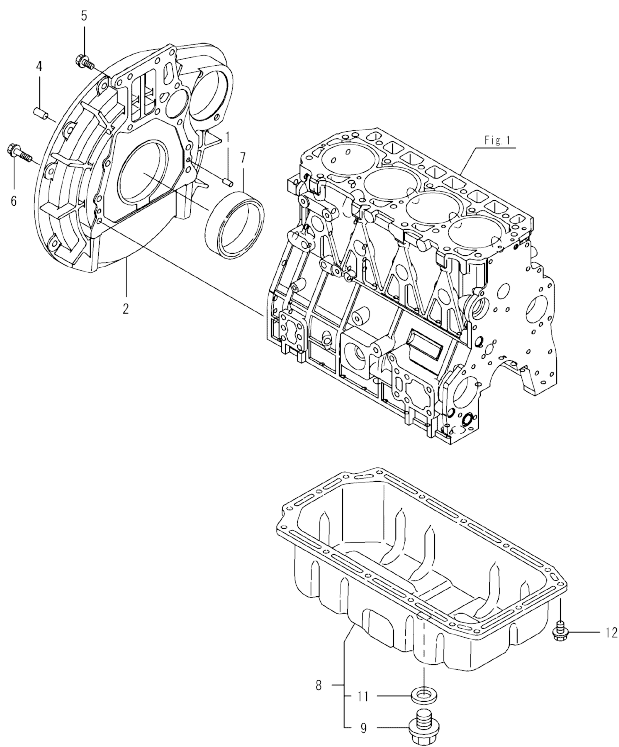
OCD50-M00070 4TNV94L-BXPHZ

Fig.3. FLYWHEEL HOUSING & OIL SUMP

OCD50-M00070 Fig.3

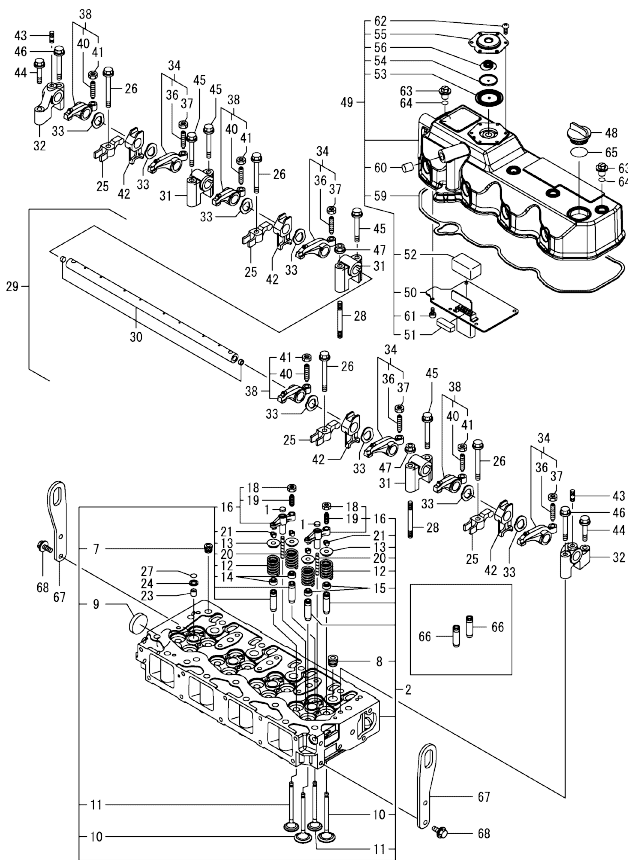
(A)=4TNV94L-BXPHZ  
(B)=  
(C)=

(D)=  
(E)=  
(F)=



No.	Lev.	Parts No.	Description	Q'ty						
				(A)	(B)	(C)	(D)	(E)	(F)	
1	1	129100-01580	PIN, PARALLEL 8X16		2					
2	1	129906-01610	HOUSING, FLYWHEEL	1						
4	1	22312-120200	PIN, PARALLEL M12X20		2					
5	1	26206-100202	BOLT, M10X 20 PLATED	4						
6	1	26206-100352	BOLT, M10X 35 PLATED	9						
7	1	129916-01790	SEAL, D115/95XT11	1						
8	1	129930-01710	OIL PAN ASSY	1						
9	2	119640-01640	PLUG, DRAIN M22	1						
11	2	22190-220002	WASHER, SEAL 22	1						
12	1	26106-080122	BOLT, M8X 12 PLATED	16						

Fig.4. CYLINDER HEAD & BONNET



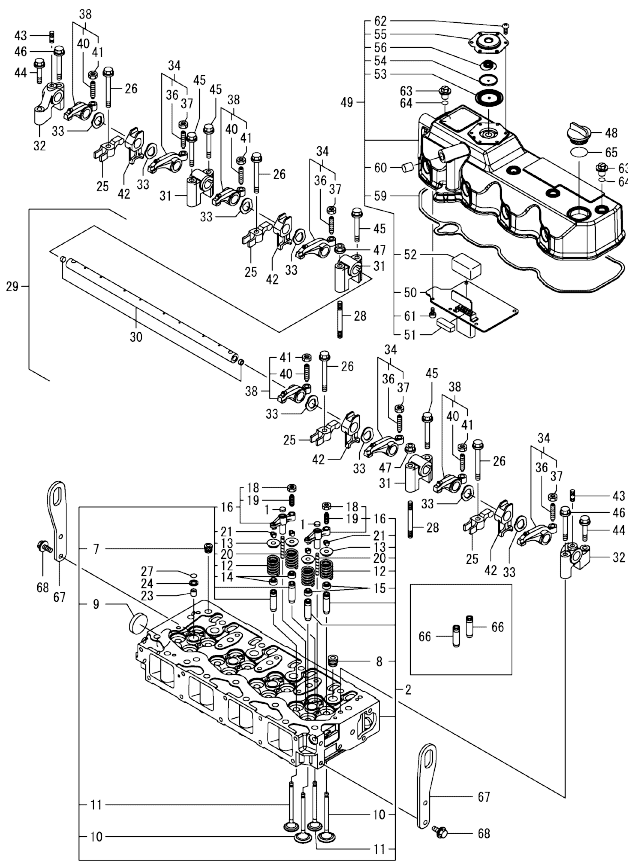
(A)=4TNV94L-BXPZH  
(B)=  
(C)=

(D)=  
(E)=  
(F)=

No.	Lev.	Parts No.	Description	Q'ty						I	R
				(A)	(B)	(C)	(D)	(E)	(F)		
1	1	123907-11550	SEAT, VALVE BRIDGE	8							
2	1	129907-11700	HEAD ASSY, CYLINDER	1							
7	2	23876-020000	PLUG, R02	1							
8	2	23876-030000	PLUG, R03	4							
9	2	27241-400000	PLUG, 40	1							
10	2	129907-11100	VALVE, INTAKE	8							
11	2	129907-11110	VALVE, EXHAUST	8							
12	2	129907-11120	SPRING, VALVE	16							
13	2	119620-11180	RETAINER, SPRING	16							
14	2	119803-11340	SEAL, VALVE STEM	8							
15	2	124160-11340	SEAL, VALVE STEM	8							
16	2	129907-11510	BRIDGE ASSY, VALVE	8							
18	3	129150-11750	NUT, M8XP1.0	8							
19	3	123907-11830	ADJUSTER, BRIDGE	8							
20	2	123907-11820	GUIDE, BRIDGE	8							
21	2	27310-070001	COTTER, 7	16							
23	1	119802-11870	PROTECTOR, NOZZLE	4							
24	1	119625-11880	SEAT, NOZZLE	4							
25	1	129907-11910	RETAINER, NOZZLE	4							
26	1	129907-11950	BOLT, VALVE HOLDER	4							
27	1	24311-000120	O-RING, 1AP12.0	4							
28	1	119593-11301	STUD, M8X80	2							
29	1	129907-11341	SUPPORT ASSY, ROCKER	1							
30	2	129907-11250	SHAFT, ROCKER ARM	1							
31	2	129907-11260	SUPPORT, ROCKER A	3							
32	2	129907-11270	SUPPORT, ROCKER B	2							
33	2	123907-11280	WASHER, WAVE	8							
34	2	129907-11650	ARM ASSY, ROCKER INT	4							
36	3	129150-11230	SCREW, VALVE ADJUST	4							
37	3	129150-11750	NUT, M8XP1.0	4							
38	2	129907-11660	ARM ASSY, ROCKER EXH	4							
40	3	129150-11230	SCREW, VALVE ADJUST	4							
41	3	129150-11750	NUT, M8XP1.0	4							
42	2	129907-11920	RETAINER, NOZZLE	4							
43	2	26226-080222	STUD, M8X 22	2							
44	1	26106-080402	BOLT, M8X 40 PLATED	2							
45	1	26106-080602	BOLT, M8X 60 PLATED	4							
46	1	26106-080602	BOLT, M8X 60 PLATED	2							
47	1	26306-080002	NUT, M8	2							
48	1	124160-01751	CAP, FILLER	1							
49	1	129907-11321	BONNET ASSY, HEAD	1							
50	2	129907-03011	PLATE, BAFFLE	1							
51	2	129907-03061	BAFFLE, BREATHER	1							
52	2	129907-03070	BAFFLE, BREATHER	1							
53	2	123907-03100	DIAPHRAGM, BREATHER	1							
54	2	123907-03110	PLATE, CENTER	1							
55	2	123907-03120	PLATE, BREATHER	1							
56	2	123907-03140	SPRING, DIAPHRAGM	1							
59	2	129933-11310	GASKET, BONNET	1							
60	2	119640-61400	PLUG	1							
61	2	22857-500100	SCREW, 5X10	6							

Remarks  
(1)Spare part.

Fig.4. CYLINDER HEAD & BONNET



(A)=4TNV94L-BXPHZ  
(B)=  
(C)=

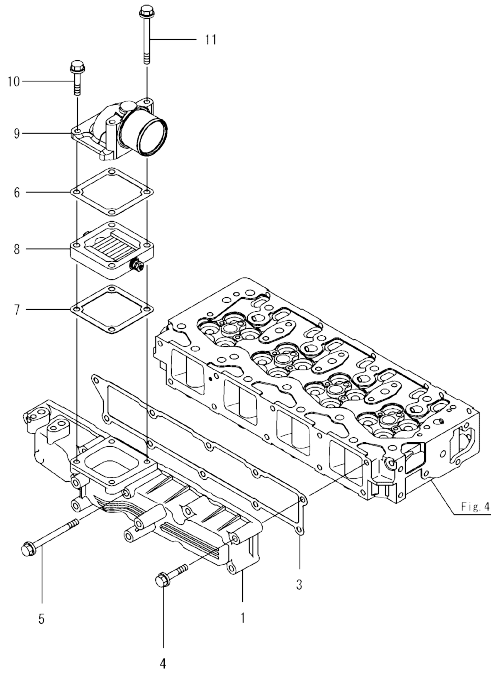
(D)=  
(E)=  
(F)=

No.	Lev.	Parts No.	Description	Q'ty						I	R
				(A)	(B)	(C)	(D)	(E)	(F)		
62	2	22857-500100	SCREW, 5X10	6							
63	1	124160-11360	KNOB, BONNET	4							
64	1	24311-000120	O-RING, 1AP12.0	4							
65	1	24311-000320	O-RING, 1AP32.0	1							
66	1	129907-11800	GUIDE, VALVE	16							1
67	1	129907-07900	LIFTER, ENGINE	2							
68	1	26106-080162	BOLT, M8X 16 PLATED	4							

Remarks  
(1)Spare part.



Fig.5. SUCTION MANIFOLD



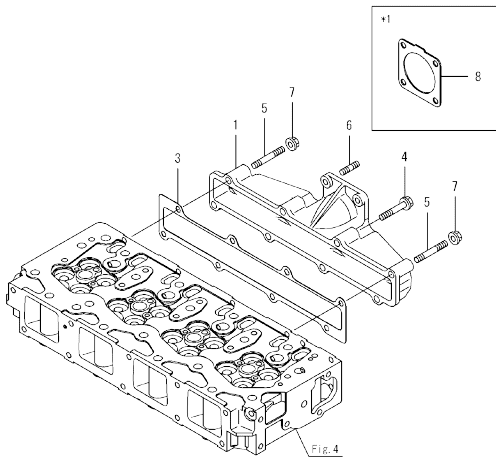
(A)=4TNV94L-BXPHZ  
(B)=  
(C)=

(D)=  
(E)=  
(F)=

No.	Lev.	Parts No.	Description	Q'ty					
				(A)	(B)	(C)	(D)	(E)	(F)
1	1	129907-12100	MANIFOLD, INTAKE	1					
3	1	129907-12110	GASKET, MANIFOLD	1					
4	1	26106-080552	BOLT, M8X 55 PLATED	9					
5	1	26106-080852	BOLT, M8X 85 PLATED	1					
6	1	119129-77020	GASKET, AIR HEATER	1					
7	1	121850-77021	GASKET, AIR HEATER	1					
8	1	119005-77051	HEATER, AIR	1					
9	1	119129-77520	BEND, INLET	1					
10	1	26106-080402	BOLT, M8X 40 PLATED	2					
11	1	26106-080902	BOLT, M8X 90 PLATED	2					

OCD50-M00070 4TNV94L-BXPHZ

Fig.6. EXHAUST MANIFOLD



OCD50-M00070 Fig.6

(A)=4TNV94L-BXPHZ  
(B)=  
(C)=

(D)=  
(E)=  
(F)=

No.	Lev.	Parts No.	Description	Q'ty					
				(A)	(B)	(C)	(D)	(E)	(F)
1	1	129900-13120	MANIFOLD, EXHAUST	1					
3	1	129900-13150	GASKET, MANIFOLD	1					
4	1	119802-13610	BOLT, M8X45	6					
5	1	119802-13720	STUD, M8X45	2					
6	1	119131-18320	STUD, M8X22	4					
7	1	26306-080002	NUT, M8	2					
8	1	129930-13201	GASKET, SILENCER	1					

Remarks

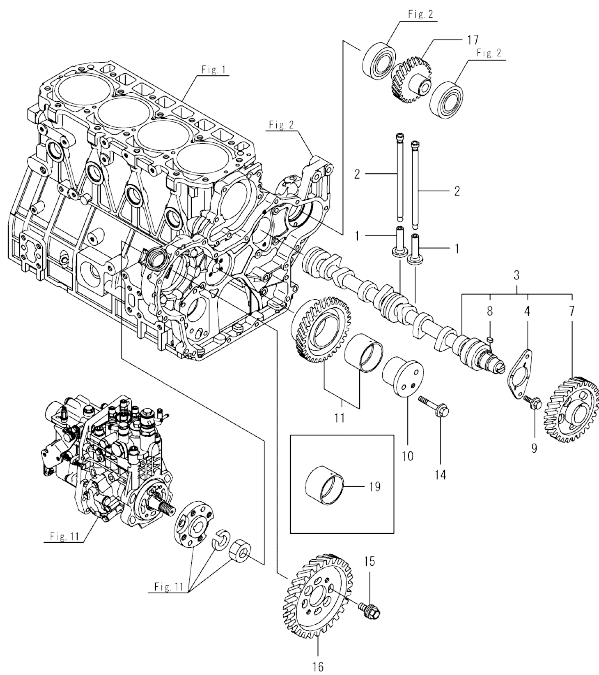
\*1.Loose part.

N:Old  $\frac{100}{100}$  New, Q:Old  $\frac{100}{100}$  New, R:Old  $\frac{100}{100}$  New, S:Old  $\frac{100}{100}$  New, W:Add, Z:Discontinued, F:Interchangeable by set, K:Q'ty Change  
Copyright (C) 2013 YANMAR GLOBAL CS CO., LTD. All Rights Reserved.

Fig.7. CAMSHAFT & DRIVING GEAR

(A)=4TNV94L-BXPZH  
(B)=  
(C)=

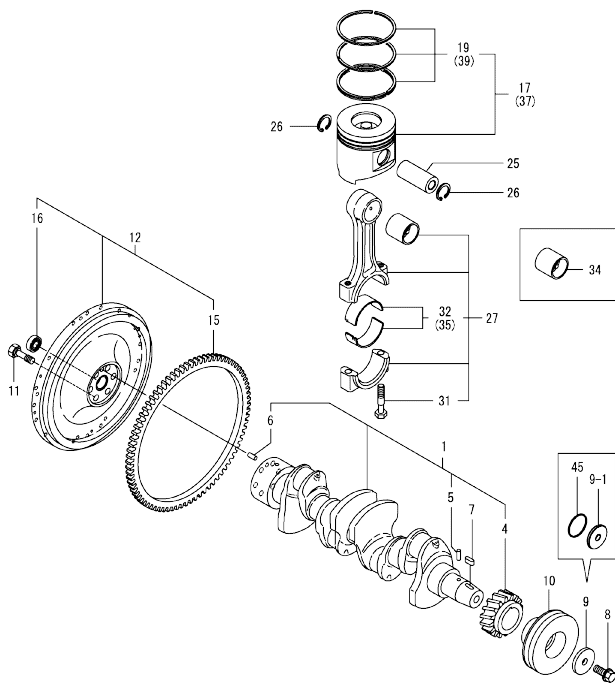
(D)=  
(E)=  
(F)=



No.	Lev.	Parts No.	Description	Q'ty						I	R
				(A)	(B)	(C)	(D)	(E)	(F)		
1	1	129150-14200	TAPPET	8							
2	1	129907-14400	ROD, PUSH	8							
3	1	129908-14590	CAMSHAFT ASSY	1							
4	2	129150-02450	METAL, THRUST	1							
7	2	129900-14110	GEAR, CAMSHAFT	1							
8	2	22512-070140	KEY, 7X 14	1							
9	1	26106-080142	BOLT, M8X 14 PLATED	2							
10	1	123900-25060	SHAFT, IDLE GEAR	1							
11	1	129900-25110	GEAR ASSY, IDLE	1							
14	1	26106-080552	BOLT, M8X 55 PLATED	3							
15	1	129953-25300	BOLT, PUMP BODY	4							
16	1	129907-25900	GEAR, PUMP	1							
17	1	129900-26020	GEAR ASSY, PUMP	1							
19	1	129150-25920	BUSH, IDLE GEAR	1							1

Remarks  
(1)Spare part.

Fig.8. CRANKSHAFT & PISTON



(A)=4TNV94L-BXPHZ  
(B)=  
(C)=

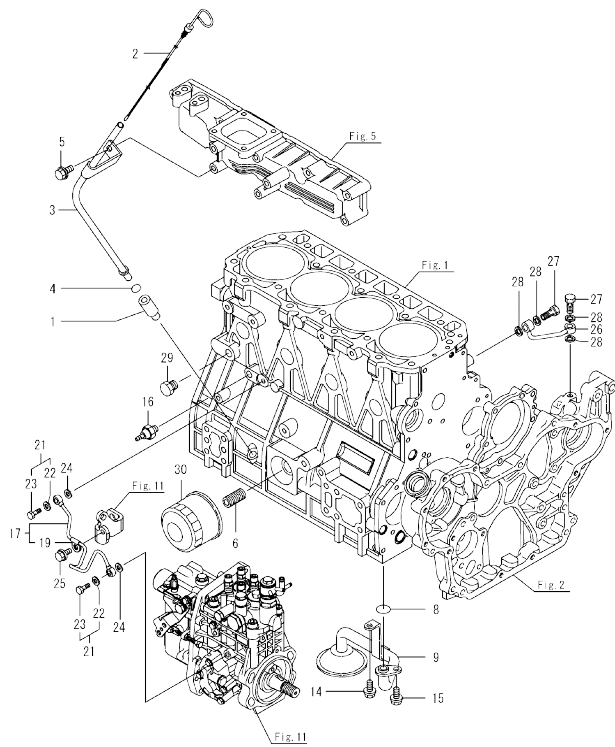
(D)=  
(E)=  
(F)=

No.	Lev.	Parts No.	Description	Q'ty						I	R
				(A)	(B)	(C)	(D)	(E)	(F)		
1	1	129902-21050	CRANKSHAFT ASSY	1							
4	2	129900-21220	GEAR, CRANKSHAFT	1							
5	2	121850-21290	PIN, CRANK GEAR	1							
6	2	121850-21920	PIN, PARALLEL 10X22	1							
7	1	22512-070140	KEY, 7X 14	1							
8	1	129916-21610	BOLT, V-PULLEY	1							
9	1	129900-21640	WASHER	1							
9-1	1	129960-21940 (A=EL0735)	WASHER, V-PULLEY	1							N
10	1	129907-21660	V-PULLEY, CRANKSHAFT	1							
11	1	121850-21130	BOLT, FLYWHEEL	6							
12	1	129906-21520	FLYWHEEL ASSY	1							
15	2	129900-21600	GEAR, RING	1							
16	2	129930-21690	BEARING, BALL 6202	1							
17	1	129906-22090	PISTON ASSY	4							
19	2	129906-22050	RING SET, PISTON	4							
25	1	120130-22301	PIN, PISTON	4							
26	1	22252-000300	RING, 30	8							
27	1	129900-23001	ROD ASSY, CONNECTING	4							
31	2	129900-23200	BOLT, CONNECTING ROD	8							
32	2	129900-23601	METAL ASSY, CRANK PIN	4							
34	1	129900-23911	METAL, PISTON PIN	4							1
35	1	129900-23611	METAL ASSY, PIN .25	4							2
37	1	129906-22910	PISTON ASSY, 0.25 OS	4							3
39	2	129916-22950	RING SET, PISTON .25	4							3
45	1	129960-21930 (A=EL0735)	GASKET, WASHER	1							W

Remarks  
(1)Spare part.  
(2)Under-sized(U.S.=0.25)part.  
(3)Over-sized(O.S.=0.25)part.

OCD50-M00070 4TNV94L-BXPHZ  
 Fig.9. LUB. OIL SYSTEM

OCD50-M00070 Fig.9



(A)=4TNV94L-BXPHZ  
 (B)=  
 (C)=

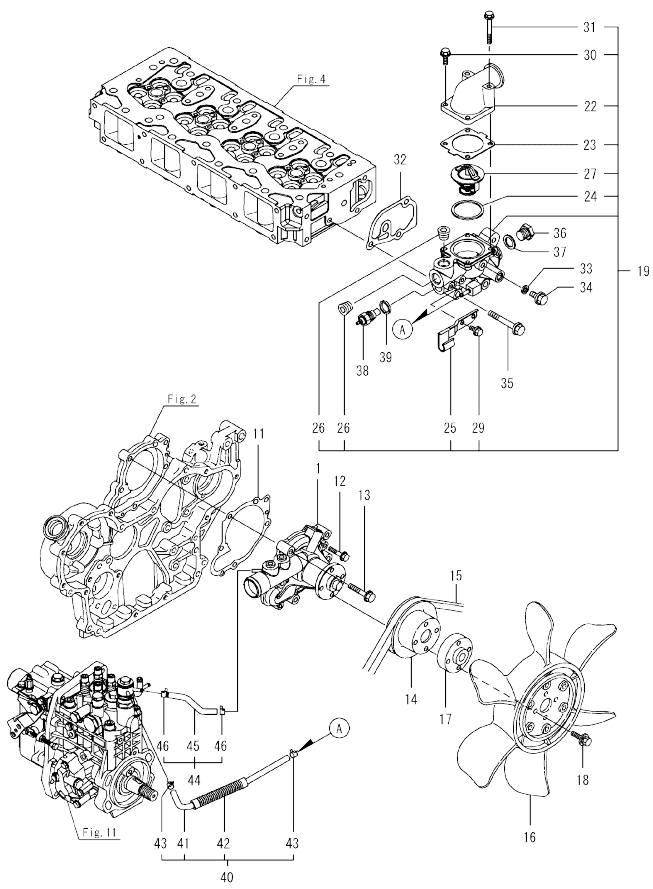
(D)=  
 (E)=  
 (F)=

No.	Lev.	Parts No.	Description	Q'ty						I	R
				(A)	(B)	(C)	(D)	(E)	(F)		
1	1	119260-34810	GUIDE, DIPSTICK	1							
2	1	129906-34820	DIPSTICK, OIL	1							
3	1	129951-34820	GUIDE, DIPSTICK	1							
4	1	24316-240100	O-RING, 4DP10A	1							
5	1	26106-080162	BOLT, M8X 16 PLATED	1							
6	1	119000-35140	BOLT, FILTER	1							
8	1	129900-32030	O-RING, P20	1							
9	1	129930-35000	PIPE ASSY, OIL INLET	1							
14	1	26106-080122	BOLT, M8X 12 PLATED	1							
15	1	26106-080122	BOLT, M8X 12 PLATED	1							
16	1	114250-39450	SWITCH, HYDRAULIC	1							
17	1	129907-39061	PIPE ASSY, OIL	1							
19	2	123907-39500	RETAINER, PIPE	1							
21	1	129005-59830	BOLT ASSY, JOINT M8	2							
22	2	22190-080002	WASHER, SEAL 8	2							
23	2	23857-030000	BOLT, JOINT 3	2							
24	1	22190-080002	WASHER, SEAL 8	2							
25	1	26106-080122	BOLT, M8X 12 PLATED	1							
26	1	129930-39050	PIPE, HO PUMP	1							
27	1	105010-39140	BOLT, PIPE JOINT M8	2							
28	1	22190-080002	WASHER, SEAL 8	4							
29	1	171056-49120	PLUG, DRAIN R1/4	1							
30	1	129150-35153	FILTER ASSY, D80X80L	1							1

Remarks  
 (1)Spare part.

N:Old  $\frac{100}{100}$  New, Q:Old  $\frac{100}{100}$  New, R:Old  $\frac{100}{100}$  New, S:Old  $\frac{100}{100}$  New, W:Add, Z:Discontinued, F:Interchangeable by set, K:Q'ty Change  
 Copyright (C) 2013 YANMAR GLOBAL CS CO., LTD. All Rights Reserved.

Fig.10. COOLING WATER SYSTEM

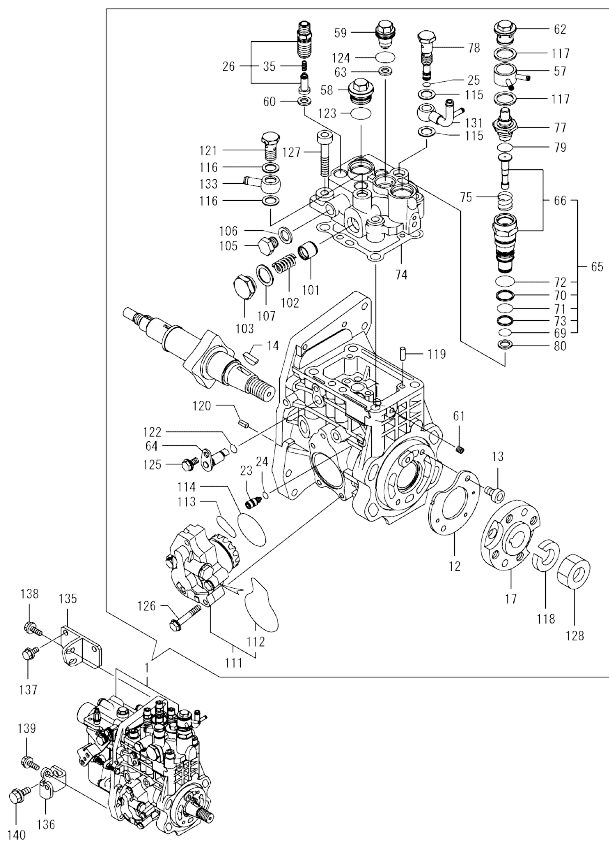


(A)=4TNV94L-BXPHZ  
(B)=  
(C)=

(D)=  
(E)=  
(F)=

No.	Lev.	Parts No.	Description	Qty						I	R
				(A)	(B)	(C)	(D)	(E)	(F)		
1	1	129907-42001	PUMP ASSY, WATER	1							
11	1	129900-42020	GASKET, WATER PUMP	1							
12	1	26106-060302	BOLT, M6X 30 PLATED	2							
13	1	26106-080552	BOLT, M8X 55 PLATED	5							
14	1	129900-42450	V-PULLEY, PUMP	1							
15	1	25132-004150	V-BELT, A41.5	1							
16	1	129900-44700	FAN, COOLING D=410	1							
17	1	119130-44760	SPACER, FAN	1							
18	1	26106-080302	BOLT, M8X 30 PLATED	4							
19	1	129906-49810	CASE ASSY, THERMOSTAT	1							
22	2	129980-49530	COVER, THERMOSTAT	1							
23	2	121850-49540	GASKET, THERMOSTAT	1							
24	2	121850-49550	GASKET, THERMOSTAT	1							
25	2	129907-49730	RETAINER, PIPE	1							
26	2	129916-49740	PLUG, R3/8	2							
27	2	121850-49801	THERMOSTAT, 82C	1							
29	2	26106-060122	BOLT, M6X 12 PLATED	1							
30	2	26106-060202	BOLT, M6X 20 PLATED	2							
31	2	26106-060552	BOLT, M6X 55 PLATED	2							
32	1	129900-49870	GASKET, THERMOSTAT	1							
33	1	23414-080000	GASKET, 8X1.0	1							
34	1	26106-080122	BOLT, M8X 12 PLATED	1							
35	1	26106-080602	BOLT, M8X 60 PLATED	3							
36	1	121450-42450	PLUG, M16	1							
37	1	124465-44950	GASKET, 16	1							
38	1	124250-49351	SENSOR, WATER TEMP.	1							
39	1	129150-49360	GASKET, 10	1							
40	1	129907-49610	HOSE ASSY, WATER A	1							
41	2	129907-49710	HOSE, WATER A	1							
42	2	129907-49750	TUBE, CORRUGATED	1							
43	2	124722-59050	CLAMP, HOSE 9	2							
44	1	129907-49620	HOSE ASSY, WATER B	1							
45	2	129907-49720	HOSE, WATER B	1							
46	2	124722-59050	CLAMP, HOSE 9	2							

Fig.11. FUEL INJECTION PUMP



(A)=4TNV94L-BXPHZ  
(B)=  
(C)=

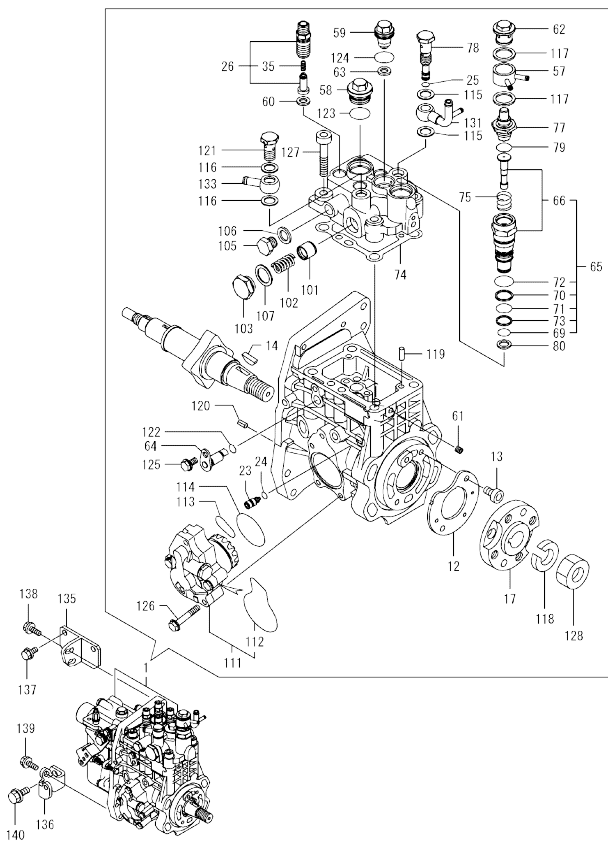
(D)=  
(E)=  
(F)=

No.	Lev.	Parts No.	Description	Q'ty						I	R
				(A)	(B)	(C)	(D)	(E)	(F)		
1	1	729906-51351	PUMP ASSY, INJECTION	1							1
12	2	129928-51900	COVER, OIL	1							
13	2	129008-51920	BOLT, M6X10	2							
14	2	144626-51090	KEY, FEATHER 5X19	1							
17	2	158563-51150	FLANGE	1							
23	2	158600-51270	STOPPER, TAPPET	1							
24	2	158563-51281	O-RING, 4D S6	1							
25	2	158563-51281	O-RING, 4D S6	1							
26	2	129509-51390	VALVE ASSY, DELIVERY	4							
35	3	158563-51330	SPRING, DELIVERY	4							
57	2	158553-51551	JOINT, COOLING WATER	1							
58	2	158601-51550	PLUG, M22	1							
59	2	129907-51560	PLUG, M16	1							
60	2	158552-51571	GASKET, BARREL PLUG	4							
61	2	158557-51570	PLUG, RACK	1							
62	2	158601-51570	PLUG	1							
63	2	129906-51580	GASKET, BARREL PLUG	1							
64	2	158552-51580	LIFTER, LINK	1							
65	2	119802-51590	TIMER ASSY	1							
66	3	119802-51600	TIMER ASSY	1							
69	3	158553-51670	O-RING, PUMP TIMER	1							
70	3	119802-51680	RING, BACKUP	1							
71	3	119802-51690	O-RING, 1016	1							
72	3	24356-190200	O-RING, 4D19020	1							
73	3	24372-000150	RING, BACK UP T2P15	1							
74	2	158560-51600	GASKET, HEAD	1							
75	2	158553-51630	SPRING, TIMER	1							
77	2	158553-51640	ELEMENT, THERMOSTAT	1							
78	2	158601-51650	JOINT, OVERFLOW	1							
79	2	158553-51660	O-RING, P14	1							
80	2	158553-51680	GASKET, TIMER	1							
101	2	158601-51770	PISTON, ACCUMULATOR	1							
102	2	158552-51781	SPRING, ACCUMULATOR	1							
103	2	158601-51790	PLUG, ACCUMULATOR	1							
105	2	158553-51930	PLUG, M12	1							
106	2	22190-120002	WASHER, SEAL 12	1							
107	2	22190-180002	WASHER, SEAL 18	1							
111	2	158552-52100	PUMP ASSY, FUEL FEED	1							
112	3	158552-52500	O-RING, PUMP INNER	1							
113	2	158552-52311	O-RING, FEED PUMP	1							
114	2	158552-52400	O-RING, 4E S42	1							
115	2	22190-120002	WASHER, SEAL 12	2							
116	2	22190-120002	WASHER, SEAL 12	2							
117	2	22190-180002	WASHER, SEAL 18	2							
118	2	22217-180000	WASHER, SPRING 18	1							
119	2	22312-050140	PIN, PARALLEL 5X14	2							
120	2	22351-050010	PIN, SPRING 5.0X10	2							
121	2	23857-060000	BOLT, JOINT 6	1							
122	2	24311-000070	O-RING, 1AP7.0	1							
123	2	24356-190200	O-RING, 4D19020	1							
124	2	24356-240210	O-RING, 4D24021	1							

Remarks

(1)Governor(Fig.12)is incorporated in this Fuel Injection Pump (Ref.1).

Fig.11. FUEL INJECTION PUMP



(A)=4TNV94L-BXPZH  
(B)=  
(C)=

(D)=  
(E)=  
(F)=

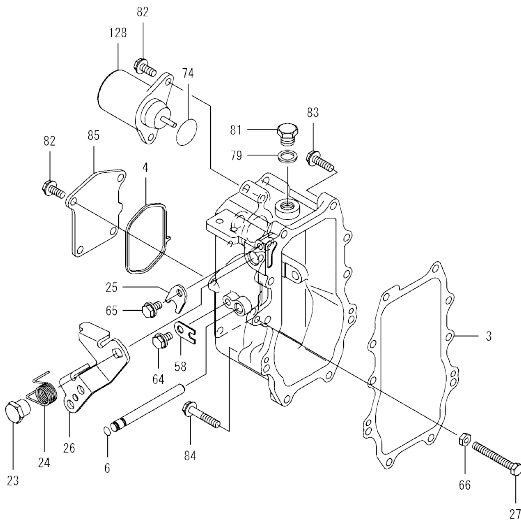
No.	Lev.	Parts No.	Description	Q'ty					
				(A)	(B)	(C)	(D)	(E)	(F)
125	2	26106-060102	BOLT, M6X 10 PLATED	1					
126	2	26106-060352	BOLT, M6X 35 PLATED	4					
127	2	26450-100452	BOLT, M10X 45	4					
128	2	26776-180002	NUT, LOCK M18	1					
131	2	158552-51670	JOINT, OVERFLOW	1					
133	2	129916-59020	JOINT, PIPE 12	1					
135	1	129907-01950	RETAINER, PUMP UPPER	1					
136	1	129907-01960	RETAINER, PUMP LOWER	1					
137	1	26106-080162	BOLT, M8X 16 PLATED	2					
138	1	26106-080222	BOLT, M8X 22 PLATED	2					
139	1	26106-080222	BOLT, M8X 22 PLATED	1					
140	1	26106-100202	BOLT, M10X 20 PLATED	1					

Remarks

(1)Governor(Fig.12)is incorporated in this Fuel Injection Pump (Ref.1).



Fig.12. GOVERNOR



(A)=4TNV94L-BXPHZ  
(B)=  
(C)=

(D)=  
(E)=  
(F)=

No.	Lev.	Parts No.	Description	Q'ty						I	R
				(A)	(B)	(C)	(D)	(E)	(F)		
3	2	158560-61050	GASKET, CASE	1							
4	2	158560-61071	GASKET, CASE	1							
6	2	129155-51280	O-RING, S6	1							
23	2	129255-61410	NUT, CONTROL LEVER	1							
24	2	119807-61420	SPRING, RETURN	1							
25	2	158560-61430	STOPPER, SHAFT	1							
26	2	158560-61442	LEVER, REGULATOR	1							
27	2	129155-61460	BOLT, IDLE LIMIT	1							
58	2	119660-61901	STOPPER, SHAFT	1							
64	2	26106-060102	BOLT, M6X 10 PLATED	1							
65	2	26106-060102	BOLT, M6X 10 PLATED	1							
66	2	26756-060002	NUT, LOCK M6	1							
74	2	158552-61900	O-RING	1							
79	2	22190-160002	WASHER, SEAL 16	1							
81	2	23887-160002	PLUG, 16	1							
82	2	26106-060142	BOLT, M6X 14 PLATED	6							
83	2	26106-060252	BOLT, M6X 25 PLATED	8							
84	2	26106-060402	BOLT, M6X 40 PLATED	2							
85	2	158560-61061	COVER, GOVERNOR CASE	1							
128	2	119653-77950	SOLENOID, STOP	1							

Remarks

\*This figure(Governor)is incorporated in the Fuel Injection Pump (Fig.11).

Fig.13. FUEL INJECTION VALVE

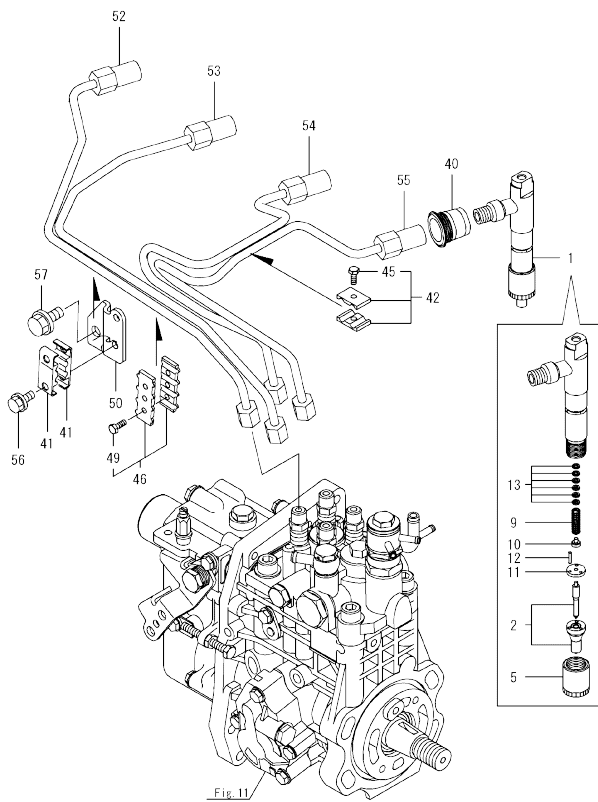
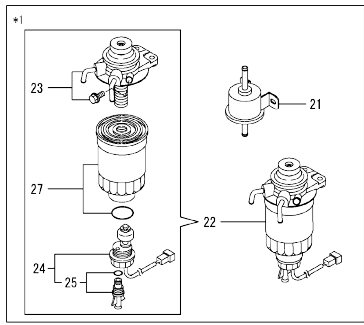
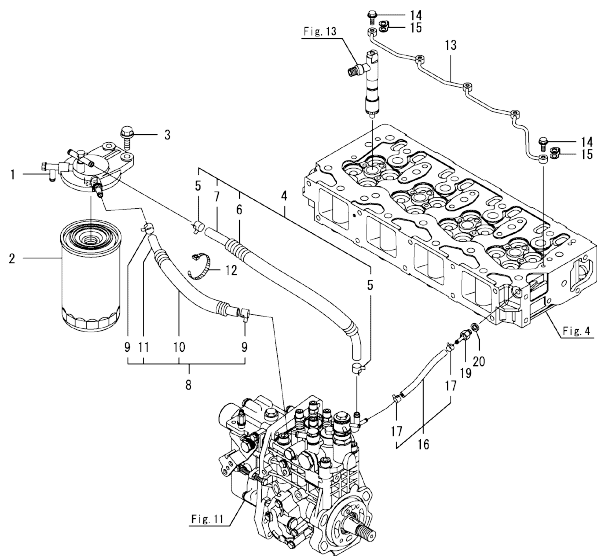


Fig.11

No.	Lev.	Parts No.	Description	Q'ty						I	R
				(A)	(B)	(C)	(D)	(E)	(F)		
1	1	729906-53100	VALVE ASSY,INJECTION	4							
2	2	129906-53000	VALVE ASSY,INJECTION	4							
5	2	114250-53080	NUT, NOZZLE	4							
9	2	114250-53120	SPRING, NOZZLE	4							
10	2	114250-53130	SEAT, SPRING	4							
11	2	114250-53140	SPACER, VALVE STOP	4							
12	2	114250-53210	PIN, POSITIONING	8							
13	2	119803-53400	SHIM SET	4							
40	1	123907-11601	SEAL, PIPE	4							
41	1	122780-59100	RETAINER, PIPE	2							
42	1	119305-59120	RETAINER, PIPE	1							
45	2	129150-59131	BOLT, M4X14	1							
46	1	129550-59120	RETAINER, PIPE	1							
49	2	129150-59131	BOLT, M4X14	2							
50	1	129907-59710	SUPPORT, PIPE CLAMP	1							
52	1	129906-59810	PIPE ASSY, INJECTION	1							
53	1	129906-59820	PIPE ASSY, INJECTION	1							
54	1	129906-59830	PIPE ASSY, INJECTION	1							
55	1	129906-59840	PIPE ASSY, INJECTION	1							
56	1	26106-060162	BOLT, M6X 16 PLATED	2							
57	1	26106-080182	BOLT, M8X 18 PLATED	1							

Fig.14. FUEL PIPE



(A)=4TNV94L-BXPZH  
(B)=  
(C)=

(D)=  
(E)=  
(F)=

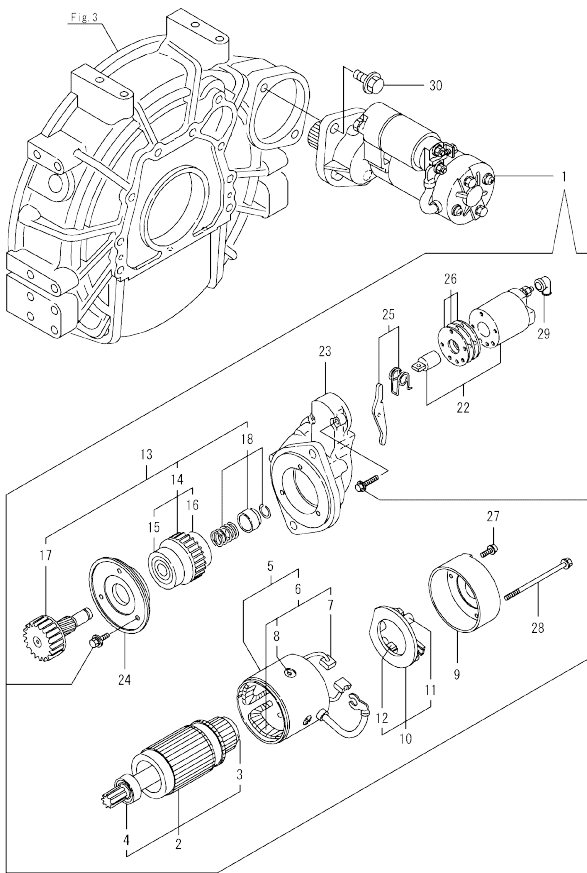
No.	Lev.	Parts No.	Description	Qty						I	R
				(A)	(B)	(C)	(D)	(E)	(F)		
1	1	129004-55612	BRACKET, FILTER	1							
2	1	129907-55801	FILTER, FUEL	1							
3	1	26106-080302	BOLT, M8X 30 PLATED	2							
4	1	129457-59010	HOSE ASSY, FUEL	1							
5	2	124766-59050	CLAMP, HOSE 11.5	2							
6	2	129957-59120	TUBE, CORRUGATED 15	1							
7	2	105025-59750	HOSE, FUEL	1							
8	1	129981-59010	HOSE ASSY, FUEL	1							
9	2	124766-59050	CLAMP, HOSE 11.5	2							
10	2	129950-59221	TUBE, CORRUGATED 15	1							
11	2	129980-59510	HOSE, FUEL	1							
12	1	121750-59890	BAND, NYLON	1							
13	1	129907-59140	PIPE ASSY, RETURN	1							
14	1	123907-59540	BOLT, PIPE JOINT M6	5							
15	1	123907-59550	GASKET, FUEL RETURN	5							
16	1	129486-59551	HOSE ASSY, RETURN	1							
17	2	124722-59050	CLAMP, HOSE 9	2							
19	1	123907-59560	JOINT, HOSE	1							
20	1	22190-080002	WASHER, SEAL 8	1							
21	1	119225-52102	PUMP, FUEL FEED	1							
22	1	129917-55801	FILTER ASSY, FUEL	1							
22-1	1	129917-55802	FILTER ASSY, FO PRE	1							N
		(A=EM5143)									
23	2	129917-55810	BODY, FILTER SUB	1							
24	2	129917-55821	SENSOR ASSY, LEVEL	1							
24-1	2	129917-55870	SENSOR ASSY, LEVEL	1							N
		(A=EM5143)									
25	3	129917-55830	PLUG, DRAIN	1							
25-1	3	129242-55740	PLUG, DRAIN	1							N
		(A=EM5143)									
27	2	129917-55850	ELEMENT KIT, FUEL	1							

Remarks  
\*1. Loose parts.

Fig.15. STARTING MOTOR

(A)=4TNV94L-BXPZH  
(B)=  
(C)=

(D)=  
(E)=  
(F)=

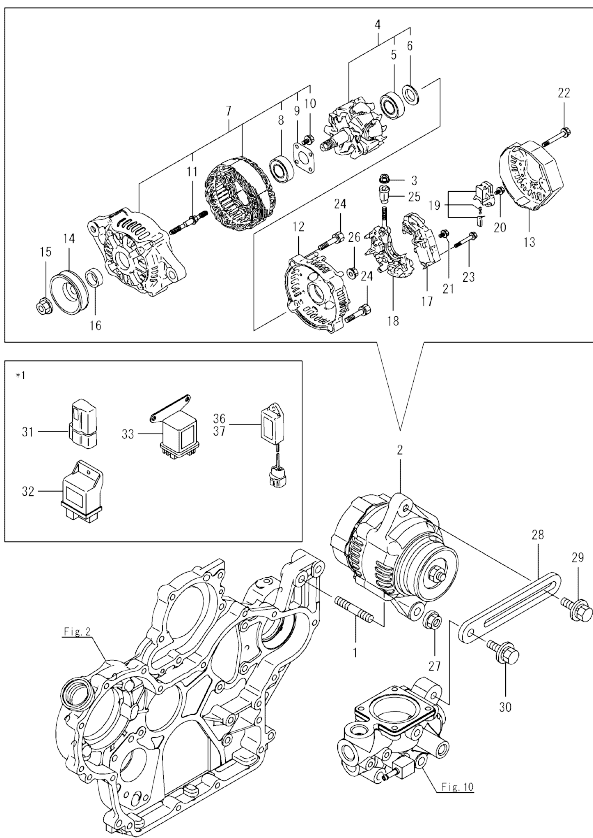


No.	Lev.	Parts No.	Description	Q'ty						I	R
				(A)	(B)	(C)	(D)	(E)	(F)		
1	1	129900-77040	STARTER, 12V 2.3KW	1							
2	2	129900-77120	ARMATURE ASSY	1							
3	3	171008-77410	BEARING, BALL 1	1							
4	3	171008-77420	BEARING, BALL 2	1							
5	2	129900-77130	YOKE ASSY	1							
6	3	129900-77140	COIL ASSY, FIELD	1							
7	4	129900-77450	BRUSH, +	2							
8	4	171008-77450	SCREW, CORE SET	4							
9	2	129900-77150	COVER, REAR	1							
10	2	129900-77160	HOLDER ASSY, BRUSH	1							
11	3	X2130631300	SPRING, BRUSH	4							
12	3	129900-77450	BRUSH, +	2							
13	2	129900-77170	CLUTCH ASSY, PINION	1							
14	3	129900-77180	CLUTCH ASSY	1							
15	4	129900-77190	BEARING, BALL 4	1							
16	4	X2114955020	BEARING, BALL	1							
17	3	129900-77270	SHAFT, PINION	1							
18	3	171008-77670	STOPPER SET, PINION	1							
22	2	129900-77280	SWITCH ASSY, MAGNET	1							
23	2	129900-77290	CASE, GEAR	1							
24	2	129900-77380	RETAINER, BEARING	1							
25	2	129900-77390	LEVER ASSY, SHIFT	1							
26	2	129900-77420	COVER KIT, DUST	1							
27	2	129900-77430	SCREW, M4X10	2							
28	2	129685-77640	BOLT, THROUGH	2							
29	2	171008-77750	COVER, TERMINAL	1							
30	1	26106-120252	BOLT, M12X 25 PLATED	2							

Fig.16. GENERATOR

(A)=4TNV94L-BXPHZ  
(B)=  
(C)=

(D)=  
(E)=  
(F)=



No.	Lev.	Parts No.	Description	Q'ty						I	R
				(A)	(B)	(C)	(D)	(E)	(F)		
1	1	129795-01900	BOLT, M10X30	1							
2	1	119626-77210	ALTERNATOR, 12V-55A	1							
3	2	X9490561001	NUT	1							
4	2	129052-77380	ROTOR ASSY	1							
5	3	123501-79240	BEARING, BALL	1							
6	3	119620-79250	COVER, BEARING	1							
7	2	129052-77422	FRAME ASSY	1							
8	3	119620-79200	BEARING, BALL	1							
9	3	119620-79210	PLATE, RETAINER	1							
10	3	119620-79220	SCREW	4							
11	3	119620-79230	STUD	2							
12	2	128401-77440	COVER, END	1							
13	2	119626-77450	COVER, END	1							
14	2	119620-77461	PULLEY, GENERATOR	1							
15	2	119620-77471	NUT	1							
16	2	119620-77490	COLLAR	1							
17	2	129423-77710	REGULATOR ASSY	1							
18	2	129052-79260	HOLDER ASSY	1							
19	2	129052-79270	HOLDER ASSY, BRUSH	1							
20	2	119620-79290	SCREW	6							
21	2	119620-79300	SCREW	1							
22	2	119620-79310	BOLT	3							
23	2	119620-79320	SCREW, W/WASHER	2							
24	2	119620-79330	BOLT	2							
25	2	119620-79340	BUSH, INSULATION	1							
26	2	119620-79350	NUT	2							
27	1	26306-100002	NUT, M10	1							
28	1	129900-77330	ADJUSTER, BELT	1							
29	1	119810-77340	BOLT, ADJUSTER L=30	1							
30	1	26014-080252	BOLT, M8X 25	1							
31	1	119643-66900	DIODE	1							
32	1	119802-77200	RELAY, SAFETY	1							
33	1	119650-77911	RELAY ASSY, GLOW	1							
36	1	128300-77920	TIMER, GLOW PLUG	1							
37	1	129211-77920	TIMER, SECTION 1	1							

Remarks  
\*1.Loose part.

## Parts No. Index

Parts No.	Fig. No.	Ref. No.	Parts No.	Fig. No.	Ref. No.	Parts No.	Fig. No.	Ref. No.	Parts No.	Fig. No.	Ref. No.
105010-39140	9	27	119802-77200	16	32	129052-79260	16	18	129900-25110	7	11
105025-59750	14	7	119803-11340	4	14	129052-79270	16	19	129900-26020	7	17
114250-39450	9	16	119803-53400	13	13	129100-01580	2	5	129900-26250	2	28
114250-53080	13	5	119807-61420	12	24		3	1	129900-32001	2	15
114250-53120	13	9	119810-77340	16	29	129150-02450	7	4	129900-32030	2	29
114250-53130	13	10	120130-22301	8	25	129150-11230	4	36		9	8
114250-53140	13	11	121023-26071	2	44			40	129900-32040	2	30
114250-53210	13	12	121450-42450	10	36	129150-11750	4	18	129900-42020	10	11
119000-35140	9	6	121750-59890	14	12			37	129900-42450	10	14
119005-77051	5	8	121850-21130	8	11			41	129900-44700	10	16
119129-77020	5	6	121850-21290	8	5	129150-14200	7	1	129900-49870	10	32
119129-77520	5	9	121850-21920	8	6	129150-25920	7	19	129900-77040	15	1
119130-44760	10	17	121850-49540	10	23	129150-35153	9	30	129900-77120	15	2
119131-18320	6	6	121850-49550	10	24	129150-49360	10	39	129900-77130	15	5
119225-52102	14	21	121850-49801	10	27	129150-59131	13	45	129900-77140	15	6
119260-34810	9	1	121850-77021	5	7			49	129900-77150	15	9
119305-59120	13	42	122780-59100	13	41	129155-51280	12	6	129900-77160	15	10
119593-11301	4	28	123501-79240	16	5	129155-61460	12	27	129900-77170	15	13
119620-11180	4	13	123900-25060	7	10	129211-77920	16	37	129900-77180	15	14
119620-77461	16	14	123907-03100	4	53	129242-55740	14	25	129900-77190	15	15
119620-77471	16	15	123907-03110	4	54	129255-61410	12	23	129900-77270	15	17
119620-77490	16	16	123907-03120	4	55	129423-77710	16	17	129900-77280	15	22
119620-79200	16	8	123907-03140	4	56	129457-59010	14	4	129900-77290	15	23
119620-79210	16	9	123907-11280	4	33	129486-59551	14	16	129900-77330	16	28
119620-79220	16	10	123907-11550	4	1	129509-51390	11	26	129900-77380	15	24
119620-79230	16	11	123907-11601	13	40	129550-59120	13	46	129900-77390	15	25
119620-79250	16	6	123907-11820	4	20	129685-77640	15	28	129900-77420	15	26
119620-79290	16	20	123907-11830	4	19	129795-01900	16	1	129900-77430	15	27
119620-79300	16	21	123907-39500	9	19	129900-01200	1	28	129900-77450	15	7
119620-79310	16	22	123907-59540	14	14	129900-01250	1	5			12
119620-79320	16	23	123907-59550	14	15	129900-01780	2	4	129902-21050	8	1
119620-79330	16	24	123907-59560	14	19	129900-01850	2	47	129906-01350	1	29
119620-79340	16	25	124160-01751	2	42	129900-01870	2	48	129906-01610	3	2
119620-79350	16	26		4	48	129900-02020	1	7	129906-21520	8	12
119625-11880	4	24	124160-11340	4	15	129900-02341	1	34	129906-22050	8	19
119626-77210	16	2	124160-11360	4	63	129900-02410	1	10	129906-22090	8	17
119626-77450	16	13	124250-49351	10	38	129900-02931	1	25	129906-22910	8	37
119640-01640	3	9	124465-44950	10	37	129900-02941	1	37	129906-34820	9	2
119640-61400	4	60	124722-59050	10	43	129900-13120	6	1	129906-49810	10	19
119643-66900	16	31			46	129900-13150	6	3	129906-51580	11	63
119650-77911	16	33		14	17	129900-14110	7	7	129906-53000	13	2
119653-77950	12	128	124766-59050	14	5	129900-14140	2	27	129906-59810	13	52
119660-61901	12	58			9	129900-21220	8	4	129906-59820	13	53
119802-11870	4	23	128300-77920	16	36	129900-21600	8	15	129906-59830	13	54
119802-13610	6	4	128401-77440	16	12	129900-21640	8	9	129906-59840	13	55
119802-13720	6	5	129004-55612	14	1	129900-23001	8	27	129907-01190	1	30
119802-51590	11	65	129005-59830	9	21	129900-23200	8	31	129907-01950	11	135
119802-51600	11	66	129008-51920	11	13	129900-23601	8	32	129907-01960	11	136
119802-51680	11	70	129052-77380	16	4	129900-23611	8	35	129907-03011	4	50
119802-51690	11	71	129052-77422	16	7	129900-23911	8	34	129907-03061	4	51

## Parts No. Index

Parts No.	Fig. No.	Ref. No.
129907-03070	4	52
129907-07900	4	67
129907-11100	4	10
129907-11110	4	11
129907-11120	4	12
129907-11250	4	30
129907-11260	4	31
129907-11270	4	32
129907-11321	4	49
129907-11341	4	29
129907-11510	4	16
129907-11650	4	34
129907-11660	4	38
129907-11700	4	2
129907-11800	4	66
129907-11910	4	25
129907-11920	4	42
129907-11950	4	26
129907-12100	5	1
129907-12110	5	3
129907-14400	7	2
129907-21660	8	10
129907-25900	7	16
129907-39061	9	17
129907-42001	10	1
129907-49610	10	40
129907-49620	10	44
129907-49710	10	41
129907-49720	10	45
129907-49730	10	25
129907-49750	10	42
129907-51560	11	59
129907-55801	14	2
129907-59140	14	13
129907-59710	13	50
129908-14590	7	3
129916-01790	3	7
129916-01800	2	4 -1
129916-21610	8	8
129916-22950	8	39
129916-49740	10	26
129916-59020	11	133
129917-55801	14	22
129917-55802	14	22 -1
129917-55810	14	23
129917-55821	14	24
129917-55830	14	25
129917-55850	14	27
129917-55870	14	24 -1
129927-42140	2	30 A

Parts No.	Fig. No.	Ref. No.
129928-51900	11	12
129930-01710	3	8
129930-13201	6	8
129930-21690	8	16
129930-35000	9	9
129930-39050	9	26
129933-11310	4	59
129950-59221	14	10
129951-01740	2	6
129951-34820	9	3
129953-25300	7	15
129957-59120	14	6
129960-21930	8	45
129960-21940	8	9 -1
129962-01500	2	8
129980-49530	10	22
129980-59510	14	11
129981-59010	14	8
144626-51090	11	14
158552-51571	11	60
158552-51580	11	64
158552-51670	11	131
158552-51781	11	102
158552-52100	11	111
158552-52311	11	113
158552-52400	11	114
158552-52500	11	112
158552-61900	12	74
158553-51551	11	57
158553-51630	11	75
158553-51640	11	77
158553-51660	11	79
158553-51670	11	69
158553-51680	11	80
158553-51930	11	105
158557-51570	11	61
158560-51600	11	74
158560-61050	12	3
158560-61061	12	85
158560-61071	12	4
158560-61430	12	25
158560-61442	12	26
158563-51150	11	17
158563-51281	11	24
		25
158563-51330	11	35
158600-51270	11	23
158601-51550	11	58
158601-51570	11	62
158601-51650	11	78

Parts No.	Fig. No.	Ref. No.
158601-51770	11	101
158601-51790	11	103
171008-77410	15	3
171008-77420	15	4
171008-77450	15	8
171008-77670	15	18
171008-77750	15	29
171051-01921-Z	1	6
171056-49120	9	29
22190-080002	9	22
		24
		28
	14	20
22190-120002	11	106
		115
		116
22190-160002	12	79
22190-180002	11	107
		117
22190-220002	3	11
22217-180000	11	118
22252-000300	8	26
22312-050140	11	119
22312-120200	3	4
22351-050010	11	120
22351-060012	1	11
22512-070140	7	8
	8	7
22857-500100	4	61
		62
23414-080000	10	33
23857-030000	9	23
23857-060000	11	121
23876-020000	4	7
23876-030000	1	12
		13
		14
	4	8
23887-160002	12	81
24311-000070	2	31
	11	122
24311-000120	4	27
		64
24311-000320	2	43
	4	65
	9	4
24316-240100	2	45
24321-000850	2	32
24351-030750	11	72
24356-190200	11	72
		123

Parts No.	Fig. No.	Ref. No.
24356-240210	11	124
24372-000150	11	73
25132-004150	10	15
26014-080252	16	30
26106-060102	11	125
	12	64
		65
26106-060122	10	29
26106-060142	12	82
26106-060162	13	56
26106-060202	10	30
26106-060252	12	83
26106-060302	10	12
26106-060352	11	126
26106-060402	12	84
26106-060552	10	31
26106-080122	3	12
	9	14
		15
		25
	10	34
26106-080142	7	9
26106-080162	2	33
		49
		68
	4	5
	9	5
	11	137
26106-080182	13	57
26106-080202	2	34
		35
26106-080222	11	138
		139
26106-080302	10	18
	14	3
26106-080402	2	36
	4	44
	5	10
26106-080452	2	37
		38
26106-080552	5	4
	7	14
	10	13
26106-080602	4	45
		46
	10	35
26106-080702	2	39
26106-080752	2	40
26106-080852	5	5
26106-080902	5	11
26106-100202	2	46

## Parts No. Index

Parts No.	Fig. No.	Ref. No.
26106-100202	11	140
26106-120252	15	30
26206-100202	3	5
26206-100352	3	6
26216-100302	2	26
26226-080222	4	43
26306-080002	4	47
	6	7
26306-100002	2	41
	16	27
26450-100452	11	127
26756-060002	12	66
26776-180002	11	128
27241-300000	1	15
27241-400000	4	9
27310-070001	4	21
729900-02801	1	31
729906-01561	1	1
729906-51351	11	1
729906-53100	13	1
729907-01550	2	1
X2114955020	15	16
X2130631300	15	11
X9490561001	16	3

Parts No.	Fig. No.	Ref. No.
-----------	----------	----------

Parts No.	Fig. No.	Ref. No.
-----------	----------	----------

Parts No.	Fig. No.	Ref. No.
-----------	----------	----------