

0CD50-M02600EN

P R E F A C E

This parts catalog is the 1st edition of 4TNV94L-BXPLX for Linde.

Published : July, 2016

Contents

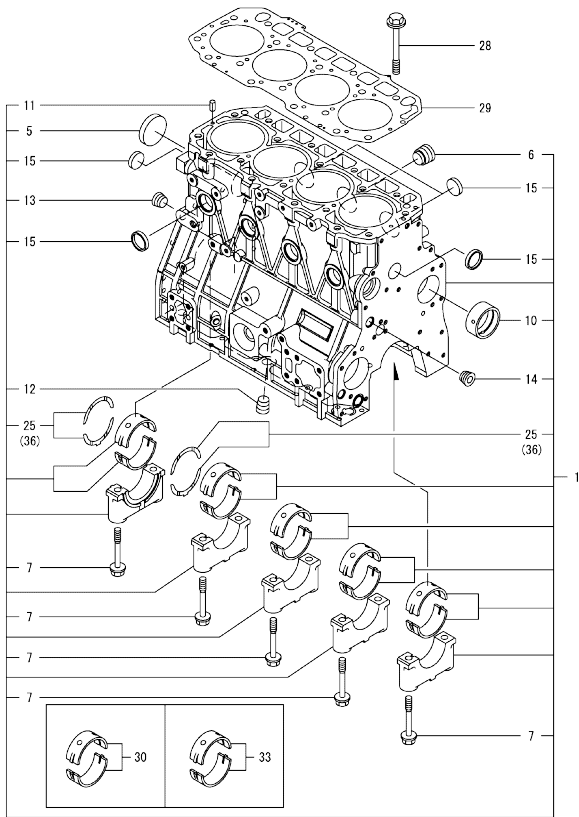
OCD50-M02600

Fig. No.	Fig. Name	Fig. No.	Fig. Name
ENGINE			
1.	CYLINDER BLOCK		
2.	GEAR HOUSING		
3.	FLYWHEEL HOUSING & OIL SUMP		
4.	CYLINDER HEAD & BONNET		
5.	SUCTION MANIFOLD		
6.	EXHAUST MANIFOLD		
7.	CAMSHAFT & DRIVING GEAR		
8.	CRANKSHAFT & PISTON		
9.	LUB. OIL SYSTEM		
10.	COOLING WATER SYSTEM		
11.	FUEL INJECTION PUMP		
12.	GOVERNOR		
13.	FUEL INJECTION VALVE		
14.	FUEL PIPE		
15.	STARTER MOTOR		
16.	GENERATOR		
17.	ACCESSORY		

Fig.1. CYLINDER BLOCK

(A)=4TNV94L-8XPPLX
(B)=
(C)=

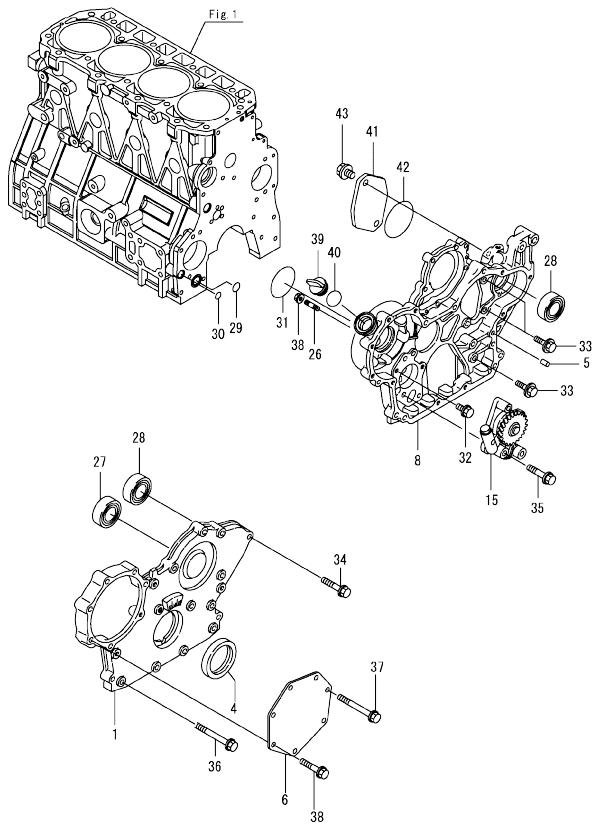
(D)=
(E)=
(F)=



No.	Lev.	Parts No.	Description	Q'ty						I	R
				(A)	(B)	(C)	(D)	(E)	(F)		
1	1	729906-01561	BLOCK ASSY, CYLINDER	1							
5	2	129900-01250	PLUG, DISH TYPE 55	1							
6	2	171051-01921-Z	PLUG, NPTF1	1							
7	2	129900-02020	BOLT, METAL CAP	10							
10	2	129900-02410	BUSH, CAMSHAFT	1							
11	2	22351-060012	PIN, SPRING 6.0X12	2							
12	2	23876-030000	PLUG, R03	1							
13	2	23876-030000	PLUG, R03	1							
14	2	23876-030000	PLUG, R03	1							
15	2	27241-300000	PLUG 30	8							
25	2	129900-02931	BEARING ASSY, THRUST	2							
28	1	129900-01200	BOLT, CYLINDER HEAD	18							
29	1	129906-01350	GASKET, HEAD	1							
30	1	729900-02801	BEARING, MAIN	5							1
33	1	129900-02341	BEARING ASSY, MAIN	5							2
36	1	129900-02941	BEARING, THRUST 0.25	2							3

Remarks
(1) Spare parts.
(2) Under-sized (U.S.=0.25) parts.
(3) Over-sized (O.S.=0.25) parts.

Fig.2. GEAR HOUSING

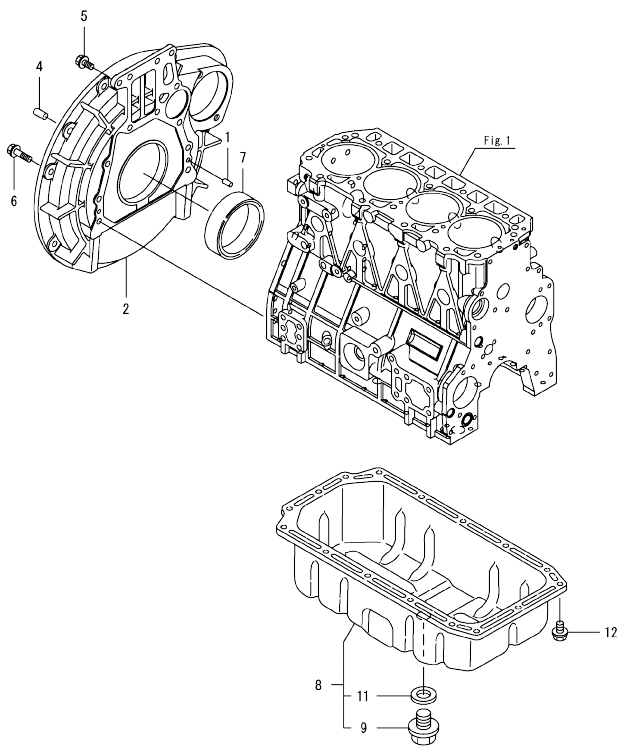


(A)=4TNV94L-8XP1X
(B)=
(C)=

(D)=
(E)=
(F)=

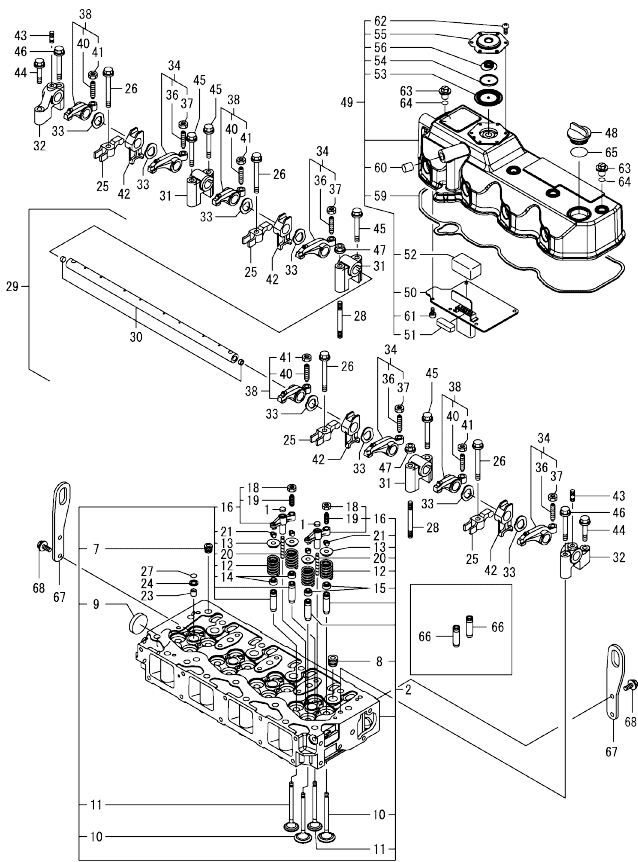
No.	Lev.	Parts No.	Description	Q'ty						I	R
				(A)	(B)	(C)	(D)	(E)	(F)		
1	1	729907-01550	COVER ASSY,GEAR CASE	1							
4	1	129916-01800	SEAL, OIL	1							
5	1	129100-01580	PIN, PARALLEL 8X16	4							
6	1	129951-01740	COVER	1							
8	1	129963-01500	CASE, GEAR	1							
15	1	129956-32001	PUMP ASSY, OIL	1							
26	1	26216-100302	STUD, M10X 30	4							
27	1	129900-14140	BEARING, BALL 6205	1							
28	1	129900-26250	BEARING, BALL 6206C3	2							
29	1	129900-32030	O-RING, P20	1							
30	1	129900-32040	O-RING, P14	1							
31	1	24351-030750	O-RING, 1A3075	1							
32	1	26106-080162	BOLT, M8X 16 PLATED	2							
33	1	26106-080202	BOLT, M8X 20 PLATED	3							
34	1	26106-080402	BOLT, M8X 40 PLATED	10							
35	1	26106-080452	BOLT, M8X 45 PLATED	3							
36	1	26106-080702	BOLT, M8X 70 PLATED	6							
37	1	26106-080752	BOLT, 8 X 75	1							
38	1	26306-100002	NUT, M10	4							
39	1	124160-01751	CAP, FILLER	1							
40	1	24311-000320	O-RING, 1AP32.0	1							
41	1	129930-01870	COVER	1							
42	1	24321-000850	O-RING, 1AG85.0	1							
43	1	26106-100202	BOLT, M10X 20 PLATED	2							

Fig.3. FLYWHEEL HOUSING & OIL SUMP



No.	Lev.	Parts No.	Description	Q'ty						
				(A)	(B)	(C)	(D)	(E)	(F)	
1	1	129100-01580	PIN, PARALLEL 8X16		2					
2	1	129906-01610	HOUSING, FLYWHEEL	1						
4	1	22312-120200	PIN, PARALLEL M12X20	2						
5	1	26206-100202	BOLT, M10X 20 PLATED	4						
6	1	26206-100352	BOLT, M10X 35 PLATED	9						
7	1	129916-01790	SEAL, D115/95XT11	1						
8	1	129930-01710	OIL PAN ASSY	1						
9	2	119640-01640	PLUG, DRAIN M22	1						
11	2	22190-220002	WASHER, SEAL 22	1						
12	1	26106-080122	BOLT, M8X 12 PLATED	16						

Fig.4. CYLINDER HEAD & BONNET



(A)=4TNV94L-8XPLX
(B)=
(C)=

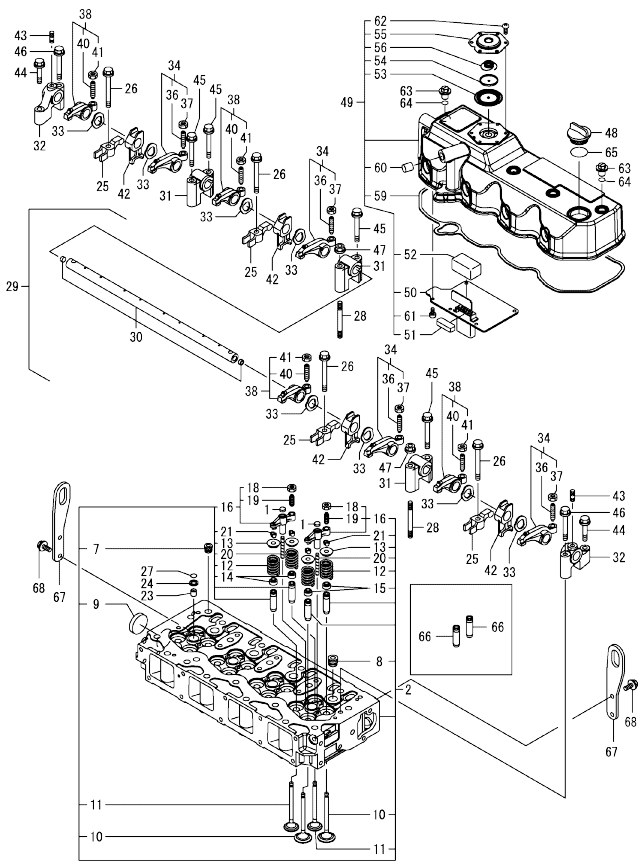
(D)=
(E)=
(F)=

No.	Lev.	Parts No.	Description	Q'ty						I	R
				(A)	(B)	(C)	(D)	(E)	(F)		
1	1	123907-11550	SEAT, VALVE BRIDGE	8							
2	1	129907-11700	HEAD ASSY, CYLINDER	1							
7	2	23876-020000	PLUG, R02	1							
8	2	23876-030000	PLUG, R03	4							
9	2	27241-400000	PLUG, 40	1							
10	2	129907-11100	VALVE, SUCTION	8							
11	2	129907-11110	VALVE, EXHAUST	8							
12	2	129907-11120	SPRING, VALVE	16							
13	2	119620-11180	RETAINER, SPRING	16							
14	2	119803-11340	SEAL, VALVE STEM	8							
15	2	124160-11340	SEAL, VALVE STEM	8							
16	2	129907-11510	BRIDGE ASSY, VALVE	8							
18	3	129150-11750	NUT, M8	8							
19	3	123907-11830	ADJUSTER	8							
20	2	123907-11820	GUIDE, BRIDGE	8							
21	2	27310-070001	COTTER, 7	16							
23	1	119802-11870	PROTECTOR, NOZZLE	4							
24	1	119625-11880	SEAT, NOZZLE	4							
25	1	129907-11910	RETAINER, NOZZLE	4							
26	1	129907-11950	BOLT, M8X75	4							
27	1	24311-000120	O-RING, 1AP12.0	4							
28	1	119593-11301	BOLT, STUD M8X80	2							
29	1	129907-11341	SHAFT ASSY, ROCKER	1							
30	2	129907-11250	SHAFT, ROCKER ARM	1							
31	2	129907-11260	SUPPORT, ROCKER ARM	3							
32	2	129907-11270	SUPPORT, ROCKER ARM	2							
33	2	123907-11280	WASHER	8							
34	2	129907-11650	ARM ASSY, ROCKER	4							
36	3	129150-11230	SCREW, VALVE ADJUST	4							
37	3	129150-11750	NUT, M8	4							
38	2	129907-11660	ARM ASSY, ROCKER	4							
40	3	129150-11230	SCREW, VALVE ADJUST	4							
41	3	129150-11750	NUT, M8	4							
42	2	129907-11920	RETAINER, NOZZLE	4							
43	2	26226-080222	STUD, M8X 22	2							
44	1	26106-080402	BOLT, M8X 40 PLATED	2							
45	1	26106-080602	BOLT, M8X 60 PLATED	4							
46	1	26106-080602	BOLT, M8X 60 PLATED	2							
47	1	26306-080002	NUT, M8	2							
48	1	124160-01751	CAP, FILLER	1							
49	1	129907-11321	BONNET ASSY, HEAD	1							
50	2	129907-03011	PLATE, BAFFLE	1							
51	2	129907-03061	BAFFLE, BREATHER	1							
52	2	129907-03070	BAFFLE, BREATHER	1							
53	2	123907-03100	DIAPHRAGM	1							
54	2	123907-03110	PLATE	1							
55	2	123907-03120	PLATE, BREATHER	1							
56	2	123907-03140	SPRING, DIAPHRAGM	1							
59	2	129933-11310	GASKET, BONNET	1							
60	2	119640-61400	PLUG	1							
61	2	22857-500100	SCREW, 5X10	6							

Remarks
(1)Spare parts.

N:Old ^{REV}/_{REV} New, Q:Old ^{REV}/_{REV} New, R:Old ^{REV}/_{REV} New, S:Old ^{REV}/_{REV} New, W:Add, Z:Discontinued, F:Interchangeable by set, K:Q'ty Change
 ++ CONTINUE ++
 Copyright (C) 2016 YANMAR GLOBAL CS CO., LTD. All Rights Reserved.

Fig.4. CYLINDER HEAD & BONNET



(A)=4TNV94L-8XPLX
(B)=
(C)=

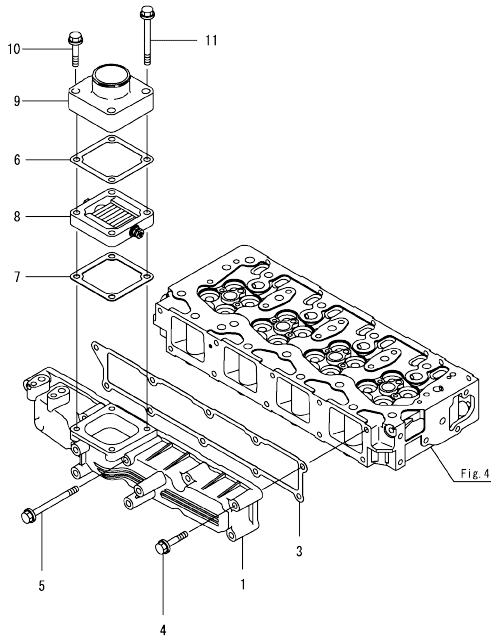
(D)=
(E)=
(F)=

No.	Lev.	Parts No.	Description	(A)	(B)	(C)	(D)	(E)	(F)	I	R
62	2	22857-500100	SCREW, 5X10	6							
63	1	124160-11360	KNOB	4							
64	1	24311-000120	O-RING, 1AP12.0	4							
65	1	24311-000320	O-RING, 1AP32.0	1							
66	1	129907-11800	GUIDE, VALVE	16							1
67	1	129907-07900	LIFTER, ENGINE	2							
68	1	26106-080162	BOLT, M8X 16 PLATED	4							

Remarks

(1)Spare parts.

Fig.5. SUCTION MANIFOLD

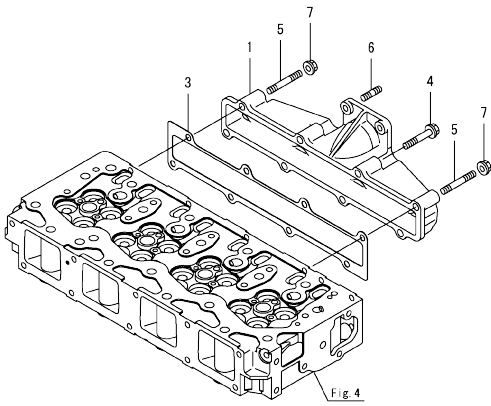


(A)=4TNV94L-8XPPLX
(B)=
(C)=

(D)=
(E)=
(F)=

No.	Lev.	Parts No.	Description	Q'ty						I	R
				(A)	(B)	(C)	(D)	(E)	(F)		
1	1	129907-12100	MANIFOLD, AIR INTAKE	1							
3	1	129907-12110	GASKET, MANIFOLD	1							
4	1	26106-080552	BOLT, M8X 55 PLATED	9							
5	1	26106-080852	BOLT, M8X 85 PLATED	1							
6	1	119129-77020	GASKET	1							
7	1	121850-77021	GASKET, AIR HEATER	1							
8	1	119005-77051	HEATER, AIR	1							
9	1	119129-77520	BEND	1							
10	1	26106-080552	BOLT, M8X 55 PLATED	4							
11	1	26106-080902	BOLT, M8X 90 PLATED	2							

Fig.6. EXHAUST MANIFOLD



(A)=4TNV94L-8XP LX
(B)=
(C)=

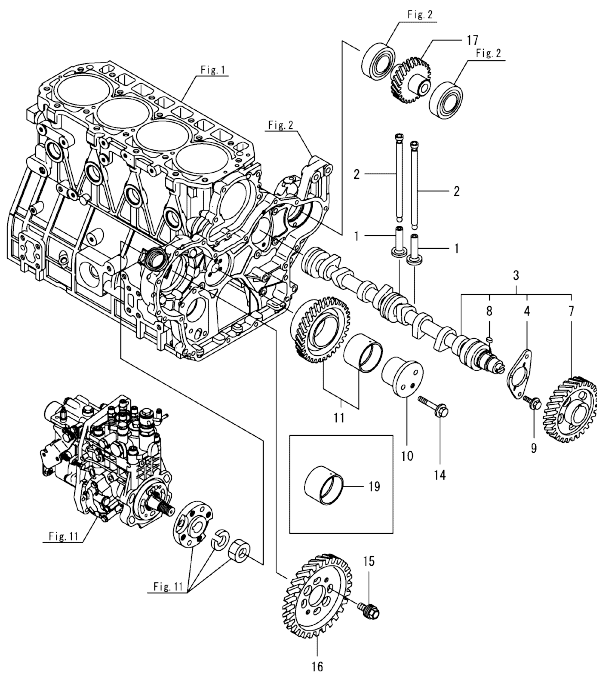
(D)=
(E)=
(F)=

No.	Lev.	Parts No.	Description	Q'ty						I	R
				(A)	(B)	(C)	(D)	(E)	(F)		
1	1	129900-13120	MANIFOLD, EXHAUST	1							
3	1	129900-13150	GASKET, EXH.MANIFOLD	1							
4	1	119802-13611	BOLT, M8X45 10.9T	6							
5	1	119802-13720	BOLT, STUD M8X45	2							
6	1	119131-18320	BOLT, STUD M8X22	4							
7	1	26306-080002	NUT, M8	2							

Fig.7. CAMSHAFT & DRIVING GEAR

(A)=4TNV94L-8XPPLX
(B)=
(C)=

(D)=
(E)=
(F)=



No.	Lev.	Parts No.	Description	Q'ty						I	R
				(A)	(B)	(C)	(D)	(E)	(F)		
1	1	129150-14200	TAPPET	8							
2	1	129907-14400	PUSH-ROD	8							
3	1	129908-14590	CAMSHAFT ASSY	1							
4	2	129150-02450	BEARING, THRUST	1							
7	2	129900-14110	GEAR, CAMSHAFT	1							
8	2	22512-070140	KEY, 7X 14	1							
9	1	26106-080142	BOLT, M8X 14 PLATED	2							
10	1	123900-25060	SHAFT, IDLE GEAR	1							
11	1	129900-25110	GEAR ASSY, IDLE	1							
14	1	26106-080552	BOLT, M8X 55 PLATED	3							
15	1	129953-25300	BOLT	4							
16	1	129907-25900	GEAR, PUMP	1							
17	1	129900-26020	GEAR ASSY, PUMP	1							
19	1	129150-25920	BUSH, IDLE GEAR	1							1

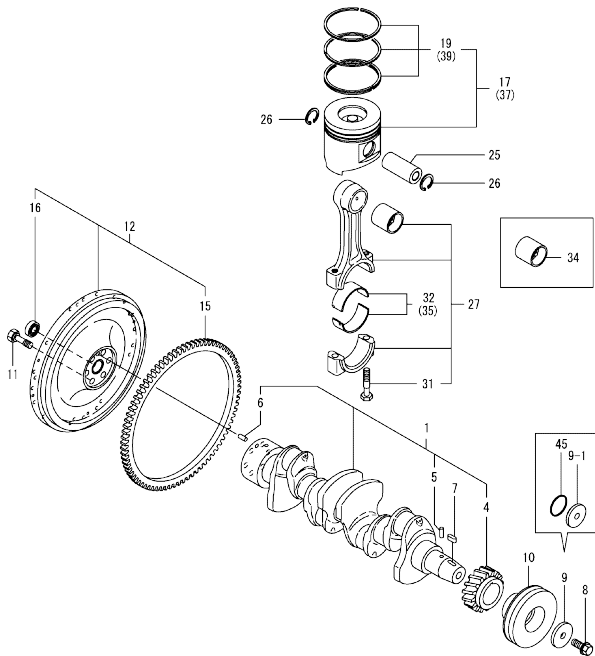
Remarks

(1)Spare parts.

Fig.8. CRANKSHAFT & PISTON

(A)=4TNV94L-8XPPLX
(B)=
(C)=

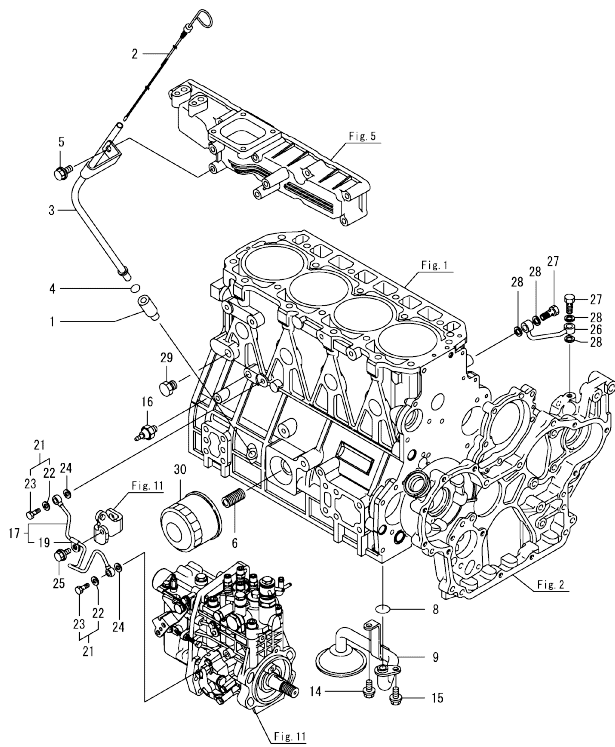
(D)=
(E)=
(F)=



No.	Lev.	Parts No.	Description	Q'ty						I	R
				(A)	(B)	(C)	(D)	(E)	(F)		
1	1	129902-21050	CRANKSHAFT ASSY	1							
4	2	129900-21220	GEAR, CRANKSHAFT	1							
5	2	121850-21290	PIN	1							
6	2	121850-21920	PIN, PARALLEL 10X22	1							
7	1	22512-070140	KEY, 7X 14	1							
8	1	129916-21610	BOLT	1							
9	1	129900-21640	WASHER	1							
9-1	1	129960-21940 (A=2018.07)	WASHER, V-PULLEY	1							N
10	1	129946-21650	V-PULLEY, 155	1							
11	1	121850-21130	BOLT, FLYWHEEL	6							
12	1	129906-21520	FLYWHEEL ASSY	1							
15	2	129900-21600	GEAR, RING	1							
16	2	129930-21690	BEARING, BALL 6202	1							
17	1	129906-22090	PISTON ASSY	4							
19	2	129906-22050	RING SET, PISTON	4							
25	1	120130-22301	PIN, PISTON	4							
26	1	22252-000300	RING, 30	8							
27	1	129900-23001	ROD ASSY, CONNECTING	4							
31	2	129900-23200	BOLT, CONNECTING ROD	8							
32	1	129900-23601	BEARING, CRANK PIN	4							
34	1	129900-23911	BEARING, PISTON PIN	4							1
35	1	129900-23611	BEARING ASSY, 0.25US	4							2
37	1	129906-22910	PISTON ASSY, 0.25 OS	4							3
39	2	129916-22950	RING SET, 0.25 OS	4							3
45	1	129960-21930 (A=2018.07)	GASKET, WASHER	1							W

Remarks
(1) Spare parts.
(2) Under-sized (U.S.=0.25) parts.
(3) Over-sized (O.S.=0.25) parts.

Fig.9. LUB. OIL SYSTEM



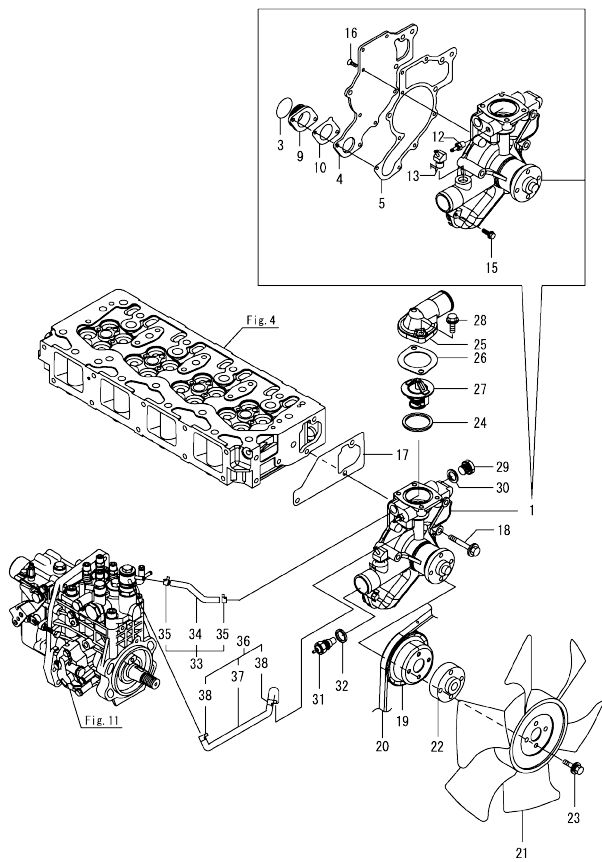
(A)=4TNV94L-8XPPLX
(B)=
(C)=

(D)=
(E)=
(F)=

No.	Lev.	Parts No.	Description	Q'ty						I	R
				(A)	(B)	(C)	(D)	(E)	(F)		
1	1	119260-34810	GUIDE, DIPSTICK	1							
2	1	129906-34820	DIPSTICK	1							
3	1	129951-34820	GUIDE, DIPSTICK	1							
4	1	24316-240100	O-RING, 4DP10A	1							
5	1	26106-080162	BOLT, M8X 16 PLATED	1							
6	1	119000-35140	BOLT, STUD FILTER	1							
8	1	129900-32030	O-RING, P20	1							
9	1	129930-35000	PIPE ASSY, OIL INLET	1							
14	1	26106-080122	BOLT, M8X 12 PLATED	1							
15	1	26106-080122	BOLT, M8X 12 PLATED	1							
16	1	114250-39450	SWITCH, HYDRAULIC	1							
17	1	129907-39061	PIPE ASSY, OIL	1							
19	2	123907-39500	RETAINER, PIPE	1							
21	1	129005-59830	BOLT ASSY, JOINT M8	2							
22	2	22190-080002	WASHER, SEAL 8	2							
23	2	23857-030000	BOLT, JOINT 3	2							
24	1	22190-080002	WASHER, SEAL 8	2							
25	1	26106-080122	BOLT, M8X 12 PLATED	1							
26	1	129930-39050	PIPE, OIL	1							
27	1	105010-39140	BOLT, PIPE JOINT	2							
28	1	22190-080002	WASHER, SEAL 8	4							
29	1	171056-49120	PLUG, DRAIN R 1/4	1							
30	1	129150-35153	FILTER ASSY, D80X80L	1							1

Remarks
(1)Spare parts.

Fig.10. COOLING WATER SYSTEM

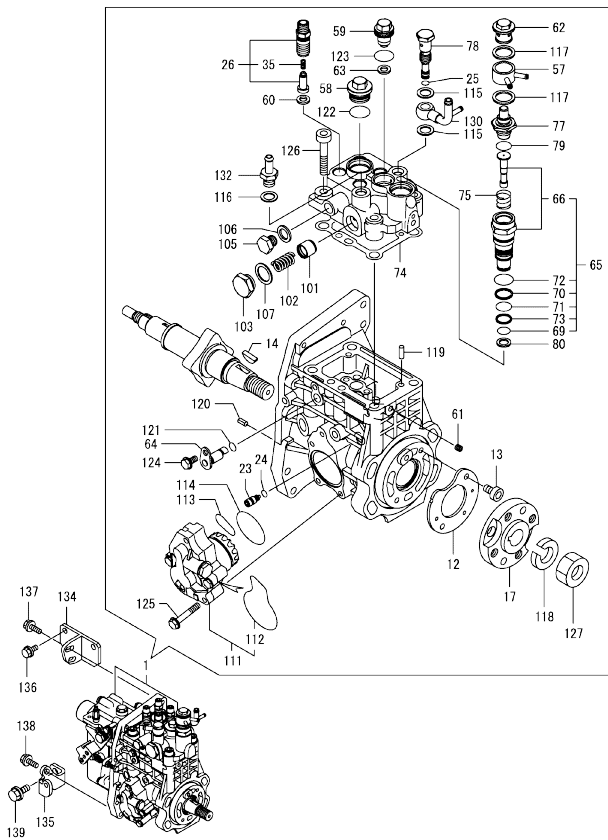


(A)=4TNV94L-8XPLX
(B)=
(C)=

(D)=
(E)=
(F)=

No.	Lev.	Parts No.	Description	Qty						I	R
				(A)	(B)	(C)	(D)	(E)	(F)		
1	1	129906-42000	PUMP ASSY, CW MID	1							
3	2	129900-42140	O-RING, CW-T(CW-P	1							
4	2	129917-42160	COVER	1							
5	2	129917-42170	PACKING	1							
9	2	129917-42300	OUTLET FLANGE	1							
10	2	129917-42310	GASKET, MECHANICAL	1							
12	2	119802-49110	JOINT, CW PIPE	1							
13	2	129906-49300	ELBOW, R3/8	1							
15	2	26106-060202	BOLT, 6 X 20	2							
16	2	26577-060142	SCREW, 6 X 14	6							
17	1	129900-42061	GASKET, WATER PUMP	1							
18	1	26106-080552	BOLT, 8 X 55	3							
19	1	129930-42450	V-PULLEY, C.W.PUMP	1							
20	1	25152-004400	V-BELT, A44	1							
21	1	129916-44740	FAN, COOLING 430	1							
22	1	119130-44760	SPACER, FAN	1							
23	1	26014-080352	BOLT, 8 X 35	4							
24	1	121850-49550	GASKET, THERMOSTAT	1							
25	1	129900-49551	COVER, THERMOSTAT	1							
26	1	129900-49560	GASKET, THERMO COVER	1							
27	1	121850-49811	THERMOSTAT, 71	1							
28	1	26106-080252	BOLT, 8 X 25	2							
29	1	121450-42450	PLUG, M16	1							
30	1	124465-44950	GASKET, 16	1							
31	1	124250-49351	SENSOR, WATER TEMP.	1							
32	1	129150-49360	GASKET	1							
33	1	129962-49620	HOSE B ASSY,WATER	1							
34	2	129962-49720	PIPE B,COOLING WATER	1							
35	2	124722-59050	CLAMP, HOSE 9	2							
36	1	129636-49790	CW-T B CMP	1							
37	2	129636-49720	PIPE, WATER B MP2	1							
38	2	124722-59050	CLAMP, HOSE 9	2							

Fig.11. FUEL INJECTION PUMP



(A)=4TNV94L-8XPLX
(B)=
(C)=

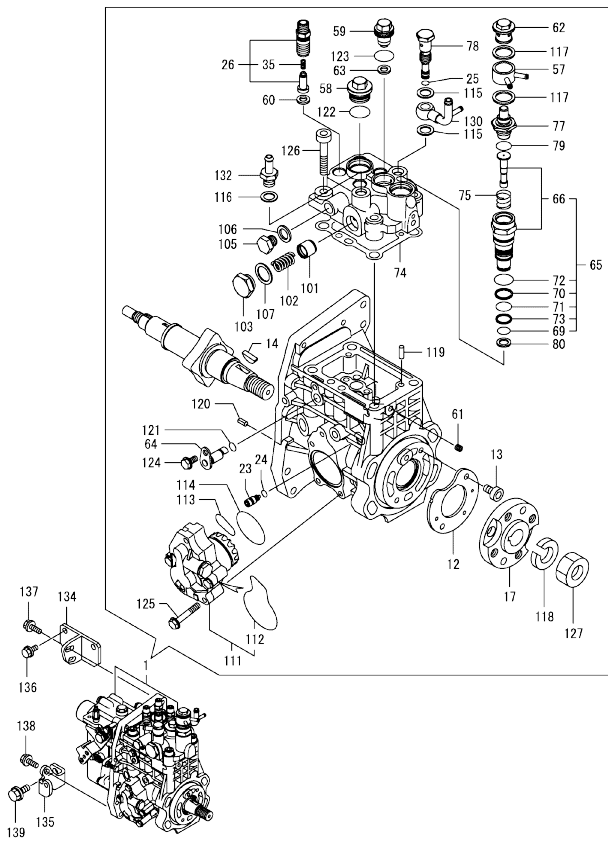
(D)=
(E)=
(F)=

No.	Lev.	Parts No.	Description	Q'ty						I	R
				(A)	(B)	(C)	(D)	(E)	(F)		
1	1	729906-51420	FIE ASSY	1							1
12	2	129928-51900	COVER	1							
13	2	129008-51920	BOLT, SOCKET M6X10	2							
14	2	144626-51090	FEATHER KEY, 5X19	1							
17	2	158563-51150	FLANGE	1							
23	2	158600-51270	STOPPER, TAPPET	1							
24	2	158563-51281	O-RING, 4D S6	1							
25	2	158563-51281	O-RING, 4D S6	1							
26	2	129509-51390	VALVE ASSY, DELIVERY	4							
35	3	158563-51330	SPRING, DELIVERY	4							
57	2	158553-51551	JOINT, COOLING WATER	1							
58	2	158601-51550	PLUG, M22	1							
59	2	129907-51560	PLUG, M16	1							
60	2	158552-51571	GASKET, PLUG	4							
61	2	158557-51570	PLUG, RACK	1							
62	2	158601-51570	PLUG	1							
63	2	129906-51580	GASKET, PLUG	1							
64	2	158552-51580	LIFTER, LINK	1							
65	2	119802-51590	TIMER ASSY	1							
66	3	119802-51600	TIMER ASSY	1							
69	3	158553-51670	O-RING	1							
70	3	119802-51680	RING, BACKUP	1							
71	3	119802-51690	O-RING	1							
72	3	24356-190200	O-RING, 4D19020	1							
73	3	24372-000150	RING, BACK UP T2P15	1							
74	2	158560-51600	GASKET	1							
75	2	158553-51630	SPRING, TIMER	1							
77	2	158553-51640	THERMOELEMENT	1							
78	2	158601-51650	JOINT, OVER FLOW	1							
79	2	158553-51660	O-RING, P14	1							
80	2	158553-51680	GASKET, TIMER	1							
101	2	158601-51770	PISTON, ACCUMULATOR	1							
102	2	158552-51781	SPRING, ACCUMULATOR	1							
103	2	158601-51790	PLUG	1							
105	2	158553-51930	PLUG, M12	1							
106	2	22190-120002	WASHER, SEAL 12	1							
107	2	22190-180002	WASHER, SEAL 18	1							
111	2	158552-52100	PUMP ASSY, FUEL FEED	1							
112	3	158552-52500	O-RING	1							
113	2	158552-52311	O-RING	1							
114	2	158552-52400	O-RING, 4E S42	1							
115	2	22190-120002	WASHER, SEAL 12	2							
116	2	22190-120002	WASHER, SEAL 12	1							
117	2	22190-180002	WASHER, SEAL 18	2							
118	2	22217-180000	WASHER, SPRING 18	1							
119	2	22312-050140	PIN, PARALLEL 5X14	2							
120	2	22351-050010	PIN, SPRING 5.0X10	2							
121	2	24311-000070	O-RING, 1AP7.0	1							
122	2	24356-190200	O-RING, 4D19020	1							
123	2	24356-240210	O-RING, 4D24021	1							
124	2	26106-060102	BOLT, M6X 10 PLATED	1							

Remarks

(1)Governor(Fig.12) is incorporated in this Fuel Injection Pump(No.1).

Fig.11. FUEL INJECTION PUMP



(A)=4TNV94L-8XP LX
(B)=
(C)=

(D)=
(E)=
(F)=

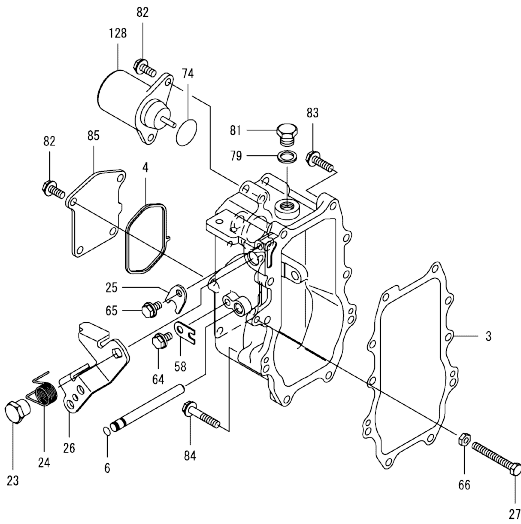
No.	Lev.	Parts No.	Description	Q'ty						I	R
				(A)	(B)	(C)	(D)	(E)	(F)		
125	2	26106-060352	BOLT, M6X 35 PLATED	4							
126	2	26450-100452	BOLT, M10X 45	4							
127	2	26776-180002	NUT, LOCK M18	1							
130	2	158552-51670	JOINT, OVER FLOW	1							
132	2	119934-59910	JOINT, PIPE	1							
134	1	129907-01950	RETAINER, PUMP	1							
135	1	129907-01960	RETAINER, PUMP	1							
136	1	26106-080162	BOLT, M8X 16 PLATED	2							
137	1	26106-080222	BOLT, M8X 22 PLATED	2							
138	1	26106-080222	BOLT, M8X 22 PLATED	1							
139	1	26106-100202	BOLT, M10X 20 PLATED	1							

Remarks

(1)Governor(Fig.12) is incorporated in this Fuel Injection Pump(No.1).

OCD50-M02600 ENGINE
 Fig.12. GOVERNOR

OCD50-M02600 Fig.12



(A)=4TNV94L-8XPPLX
 (B)=
 (C)=

(D)=
 (E)=
 (F)=

No.	Lev.	Parts No.	Description	Q'ty						I	R
				(A)	(B)	(C)	(D)	(E)	(F)		
3	2	158560-61050	GASKET	1							
4	2	158560-61071	GASKET	1							
6	2	129155-51280	O-RING, S6	1							
23	2	129255-61410	NUT, M8	1							
24	2	119807-61420	SPRING, RETURN	1							
25	2	158560-61430	STOPPER, SHAFT	1							
26	2	158560-61442	LEVER, REGULATOR	1							
27	2	129155-61460	BOLT, LIMITING	1							
58	2	119660-61901	STOPPER, SHAFT	1							
64	2	26106-060102	BOLT, M6X 10 PLATED	1							
65	2	26106-060102	BOLT, M6X 10 PLATED	1							
66	2	26756-060002	NUT, LOCK M6	1							
74	2	158552-61900	O-RING	1							
79	2	22190-160002	WASHER, SEAL 16	1							
81	2	23887-160002	PLUG, 16	1							
82	2	26106-060142	BOLT, M6X 14 PLATED	6							
83	2	26106-060252	BOLT, M6X 25 PLATED	8							
84	2	26106-060402	BOLT, M6X 40 PLATED	2							
85	2	158560-61061	COVER, GOVERNOR CASE	1							
128	2	129630-77900	SOLENOID, STOP	1							

Remarks

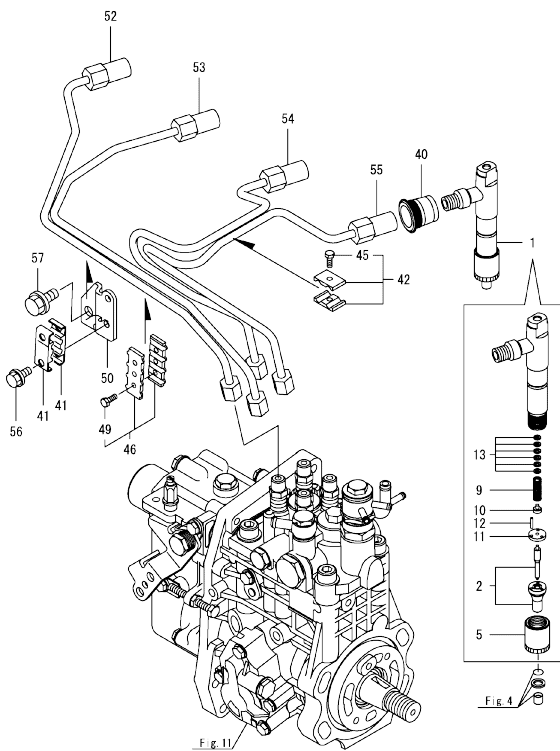
* This figure(Governor) is incorporated in the Fuel Injection Pump(Fig.11).

N:Old $\frac{100}{100}$ New, Q:Old $\frac{100}{100}$ New, R:Old $\frac{100}{100}$ New, S:Old $\frac{100}{100}$ New, W:Add, Z:Discontinued, F:Interchangeable by set, K:Q'ty Change
 Copyright (C) 2016 YANMAR GLOBAL CS CO., LTD. All Rights Reserved.

Fig.13. FUEL INJECTION VALVE

(A)=4TNV94L-8XP1X
(B)=
(C)=

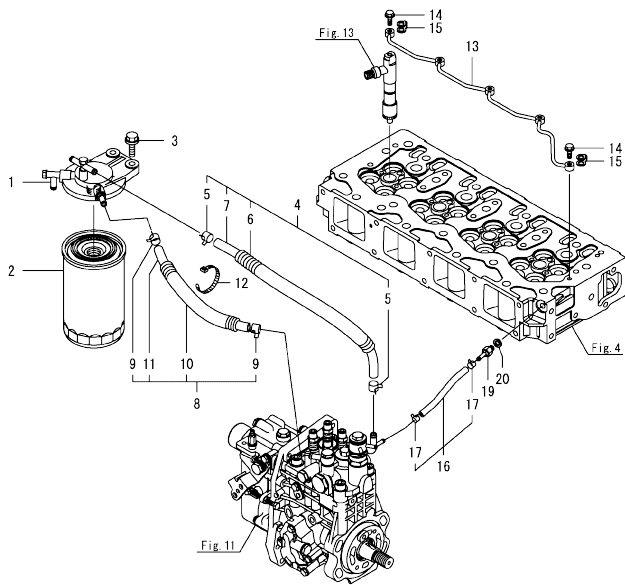
(D)=
(E)=
(F)=



No.	Lev.	Parts No.	Description	Q'ty						I	R
				(A)	(B)	(C)	(D)	(E)	(F)		
1	1	729906-53100	FUEL INJECTOR ASSY	4							
2	2	129906-53000	NOZZLE ASSY, F.I.	4							
5	2	114250-53080	NUT, NOZZLE	4							
9	2	114250-53120	SPRING, NOZZLE	4							
10	2	114250-53130	SEAT, SPRING	4							
11	2	114250-53140	SPACER	4							
12	2	114250-53210	PIN	8							
13	2	119803-53400	SHIM SET	4							1
40	1	123907-11601	SEAL, PIPE	4							
41	1	122780-59100	RETAINER	2							
42	1	119305-59120	RETAINER, PIPE	1							
45	2	129150-59131	BOLT, M4X14	1							
46	1	129550-59120	RETAINER, PIPE	1							
49	2	129150-59131	BOLT, M4X14	2							
50	1	129907-59710	SUPPORT	1							
52	1	129906-59810	PIPE ASSY, INJECTION	1							
53	1	129906-59820	PIPE ASSY, INJECTION	1							
54	1	129906-59830	PIPE ASSY, INJECTION	1							
55	1	129906-59840	PIPE ASSY, INJECTION	1							
56	1	26106-060162	BOLT, M6X 16 PLATED	2							
57	1	26106-080182	BOLT, M8X 18 PLATED	1							

Remarks
(1)Spare parts.

Fig.14. FUEL PIPE

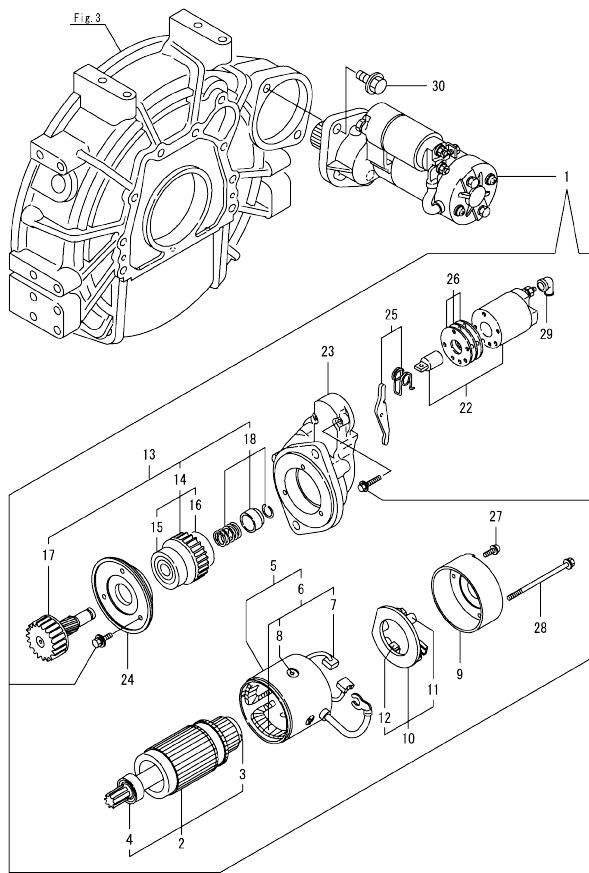


(A)=4TNV94L-8XPPLX
(B)=
(C)=

(D)=
(E)=
(F)=

No.	Lev.	Parts No.	Description	Q'ty						I	R
				(A)	(B)	(C)	(D)	(E)	(F)		
1	1	129004-55612	BRACKET, FILTER	1							
2	1	129907-55801	FILTER, FUEL	1							
3	1	26106-080302	BOLT, M8X 30 PLATED	2							
4	1	129950-59211	HOSE ASSY, FUEL	1							
5	2	124766-59050	CLAMP, HOSE 11.5	2							
6	2	129957-59120	TUBE, CORRUGATED 15	1							
7	2	105025-59750	HOSE, FUEL	1							
8	1	129981-59010	HOSE ASSY, FUEL	1							
9	2	124766-59050	CLAMP, HOSE 11.5	2							
10	2	129950-59221	TUBE, CORRUGATED 15	1							
11	2	129980-59510	HOSE, FUEL	1							
12	1	121750-59890	BAND, NYLON	1							
13	1	129907-59140	PIPE ASSY, RETURN	1							
14	1	123907-59540	BOLT, PIPE JOINT M6	5							
15	1	123907-59550	GASKET	5							
16	1	129486-59551	HOSE ASSY, RETURN	1							
17	2	124722-59050	CLAMP, HOSE 9	2							
19	1	123907-59560	JOINT, HOSE	1							
20	1	22190-080002	WASHER, SEAL 8	1							

Fig.15. STARTER MOTOR

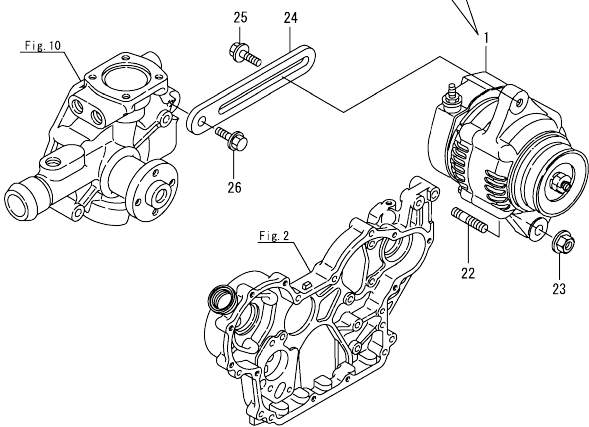
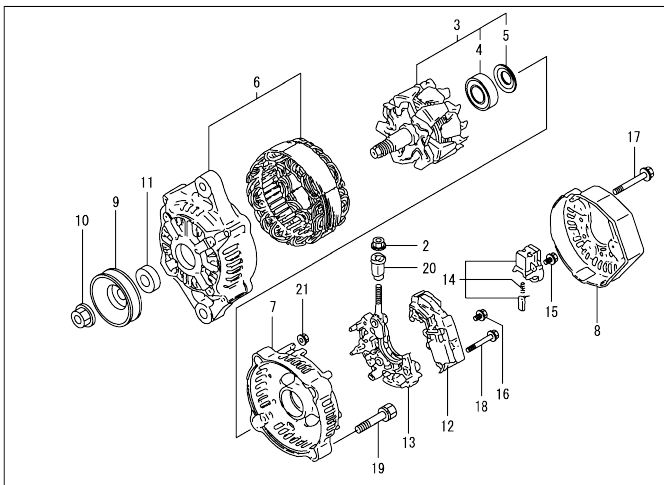


(A)=4TNV94L-8XPPLX
(B)=
(C)=

(D)=
(E)=
(F)=

No.	Lev.	Parts No.	Description	Q'ty						I	R
				(A)	(B)	(C)	(D)	(E)	(F)		
1	1	129900-77040	STARTER ASSY	1							
2	2	129900-77120	ARMATURE ASSY	1							
3	3	171008-77410	BEARING, BALL	1							
4	3	171008-77420	BEARING, BALL	1							
5	2	129900-77130	YOKE ASSY	1							
6	3	129900-77140	COIL ASSY, FIELD	1							
7	4	129900-77450	BRUSH	2							
8	4	171008-77450	SCREW, CORE SET	4							
9	2	129900-77150	COVER	1							
10	2	129900-77160	HOLDER ASSY, BRUSH	1							
11	3	X2130631300	SPRING, BRUSH	4							
12	3	129900-77450	BRUSH	2							
13	2	129900-77170	CLUTCH ASSY	1							
14	3	129900-77180	CLUTCH ASSY	1							
15	4	129900-77190	BEARING, BALL	1							
16	4	X2114955020	BEARING, BALL	1							
17	3	129900-77270	SHAFT, PINION	1							
18	3	171008-77670	STOPPER SET, PINION	1							
22	2	129900-77280	SWITCH ASSY, MAGNET	1							
23	2	129900-77290	CASE, GEAR	1							
24	2	129900-77380	RETAINER, BEARING	1							
25	2	129900-77390	LEVER ASSY, SHIFT	1							
26	2	129900-77420	COVER KIT, DUST	1							
27	2	129900-77430	SCREW, M4X10	2							
28	2	129685-77640	BOLT, THROUGH	2							
29	2	171008-77750	COVER, TERMINAL	1							
30	1	26106-120252	BOLT, M12X 25 PLATED	2							

Fig.16. GENERATOR



(A)=4TNV94L-8XP LX
(B)=
(C)=

(D)=
(E)=
(F)=

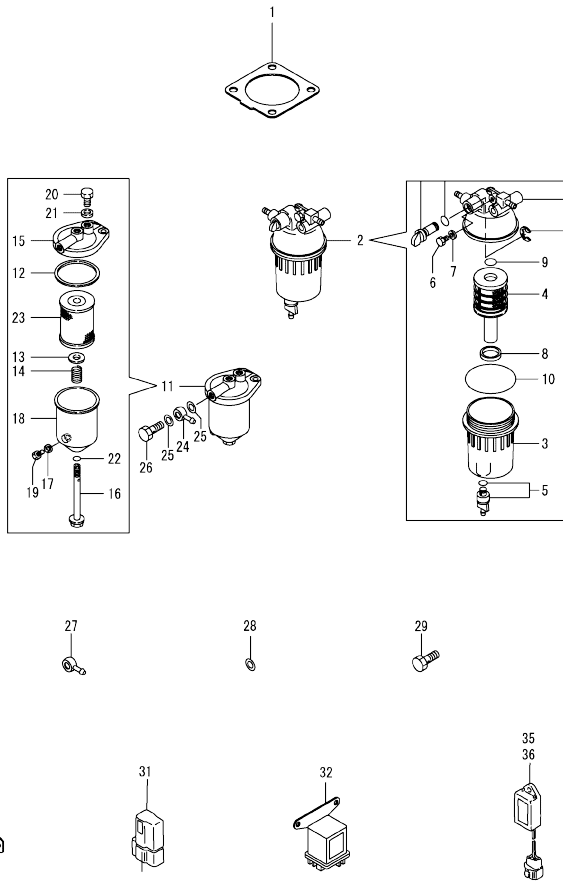
No.	Lev.	Parts No.	Description	Q'ty					
				(A)	(B)	(C)	(D)	(E)	(F)
1	1	129961-77200	GENERATOR ASSY, 55A	1					
2	2	X9490561001	NUT	1					
3	2	129052-77380	ROTOR ASSY	1					
4	3	123501-79240	BEARING, BALL	1					
5	3	119620-79250	COVER, BEARING	1					
6	2	129961-77421	FRAME ASSY	1					
7	2	128401-77440	FRAME	1					
8	2	128401-77450	COVER, GENERATOR	1					
9	2	119620-77461	PULLEY, GENERATOR	1					
10	2	119620-77471	NUT	1					
11	2	119620-77490	COLLAR	1					
12	2	119620-77710	REGULATOR ASSY	1					
13	2	129052-79260	HOLDER	1					
14	2	129052-79270	HOLDER, BRUSH	1					
15	2	119620-79290	SCREW	6					
16	2	119620-79300	SCREW	1					
17	2	119620-79310	BOLT	3					
18	2	119620-79320	SCREW	2					
19	2	119620-79330	BOLT	2					
20	2	119620-79340	BUSH, INSULATION	1					
21	2	119620-79350	NUT	2					
22	1	129795-01900	BOLT, STUD M10X33	1					
23	1	26306-100002	NUT, M10	1					
24	1	129900-77330	ADJUSTER, BELT	1					
25	1	119810-77340	BOLT, ADJUST L=30	1					
26	1	26014-080252	BOLT, M8X 25	1					

OCD50-M02600 ENGINE
Fig.17. ACCESSORY

OCD50-M02600 Fig.17

(A)=4TNV94L-8XP1X
(B)=
(C)=

(D)=
(E)=
(F)=



No.	Lev.	Parts No.	Description	Qty						I	R
				(A)	(B)	(C)	(D)	(E)	(F)		
1	1	129930-13201	GASKET, SILENCER	1							
2	1	129245-55711	SEPARATOR ASSY	1							
3	2	129245-55720	CUP ASSY	1							
4	2	129242-55730	ELEMENT	1							
5	2	129242-55740	PLUG, DRAIN	1							
6	2	129242-55750	PLUG, BREATHER	1							
7	2	129242-55760	PACKING, BREATHER	1							
8	2	129242-55770	FLOAT	1							
9	2	24311-000160	PACKING, P 16.0	1							
10	2	24321-000750	PACKING, G 75.0	1							
11	1	129065-55750	SEPARATOR ASSY, WATER	1							
12	2	123325-35140	GASKET	1							
13	2	123325-35160	WASHER	1							
14	2	129065-55170	SPRING, FILTER	1							
15	2	129495-55610	BODY, STRAINER	1							
16	2	129495-55620	BOLT	1							
17	2	123672-55760	GASKET	1							
18	2	129065-55760	CASE, SEPARATOR	1							
19	2	129065-55770	PLUG, DRAIN M8	1							
20	2	129065-55800	PLUG, M14	1							
21	2	123678-55890	GASKET, PLUG	1							
22	2	24311-000120	O-RING, 1AP12.0	1							
23	2	41650-550800	ELEMENT, FUEL	1							
24	1	121855-59880	JOINT, PIPE	2							
25	1	22190-140002	WASHER, SEAL 14	4							
26	1	23857-080000	BOLT, JOINT 8	2							
27	1	121855-59880	JOINT	2							
28	1	22190-140002	WASHER, SEAL 14	4							
29	1	23857-080000	BOLT, JOINT 8	2							
30	1	119225-52102	PUMP, FUEL FEED	1							
31	1	119643-66900	DIODE	1							
32	1	119650-77911	RELAY ASSY, GLOW	1							
35	1	129211-77920	TIMER	1							
36	1	128300-77920	TIMER	1							

N:Old $\frac{100}{100}$ New. Q:Old $\frac{100}{100}$ New. R:Old $\frac{100}{100}$ New. S:Old $\frac{100}{100}$ New. W:Add. Z:Discontinued. F:Interchangeable by set. K:Qty Change
Copyright (C) 2016 YANMAR GLOBAL CS CO., LTD. All Rights Reserved.

Parts No. Index

Parts No.	Fig. No.	Ref. No.	Parts No.	Fig. No.	Ref. No.	Parts No.	Fig. No.	Ref. No.	Parts No.	Fig. No.	Ref. No.
105010-39140	9	27	120130-22301	8	25	129052-79270	16	14	129900-14110	7	7
105025-59750	14	7	121450-42450	10	29	129065-55170	17	14	129900-14140	2	27
114250-39450	9	16	121750-59890	14	12	129065-55750	17	11	129900-21220	8	4
114250-53080	13	5	121850-21130	8	11	129065-55760	17	18	129900-21600	8	15
114250-53120	13	9	121850-21290	8	5	129065-55770	17	19	129900-21640	8	9
114250-53130	13	10	121850-21920	8	6	129065-55800	17	20	129900-23001	8	27
114250-53140	13	11	121850-49550	10	24	129100-01580	2	5	129900-23200	8	31
114250-53210	13	12	121850-49811	10	27		3	1	129900-23601	8	32
119000-35140	9	6	121850-77021	5	7	129150-02450	7	4	129900-23611	8	35
119005-77051	5	8	121855-59880	17	24	129150-11230	4	36	129900-23911	8	34
119129-77020	5	6			27		40		129900-25110	7	11
119129-77520	5	9	122780-59100	13	41	129150-11750	4	18	129900-26020	7	17
119130-44760	10	22	123325-35140	17	12		37		129900-26250	2	28
119131-18320	6	6	123325-35160	17	13		41		129900-32030	2	29
119225-52102	17	30	123501-79240	16	4	129150-14200	7	1		9	8
119260-34810	9	1	123672-55760	17	17	129150-25920	7	19	129900-32040	2	30
119305-59120	13	42	123678-55890	17	21	129150-35153	9	30	129900-42061	10	17
119593-11301	4	28	123900-25060	7	10	129150-49360	10	32	129900-42140	10	3
119620-11180	4	13	123907-03100	4	53	129150-59131	13	45	129900-49551	10	25
119620-77461	16	9	123907-03110	4	54		49		129900-49560	10	26
119620-77471	16	10	123907-03120	4	55	129155-51280	12	6	129900-77040	15	1
119620-77490	16	11	123907-03140	4	56	129155-61460	12	27	129900-77120	15	2
119620-77710	16	12	123907-11280	4	33	129211-77920	17	35	129900-77130	15	5
119620-79250	16	5	123907-11550	4	1	129242-55730	17	4	129900-77140	15	6
119620-79290	16	15	123907-11601	13	40	129242-55740	17	5	129900-77150	15	9
119620-79300	16	16	123907-11820	4	20	129242-55750	17	6	129900-77160	15	10
119620-79310	16	17	123907-11830	4	19	129242-55760	17	7	129900-77170	15	13
119620-79320	16	18	123907-39500	9	19	129242-55770	17	8	129900-77180	15	14
119620-79330	16	19	123907-59540	14	14	129245-55711	17	2	129900-77190	15	15
119620-79340	16	20	123907-59550	14	15	129245-55720	17	3	129900-77270	15	17
119620-79350	16	21	123907-59560	14	19	129255-61410	12	23	129900-77280	15	22
119625-11880	4	24	124160-01751	2	39	129486-59551	14	16	129900-77290	15	23
119640-01640	3	9		4	48	129495-55610	17	15	129900-77330	16	24
119640-61400	4	60	124160-11340	4	15	129495-55620	17	16	129900-77380	15	24
119643-66900	17	31	124160-11360	4	63	129509-51390	11	26	129900-77390	15	25
119650-77911	17	32	124250-49351	10	31	129550-59120	13	46	129900-77420	15	26
119660-61901	12	58	124465-44950	10	30	129630-77900	12	128	129900-77430	15	27
119802-11870	4	23	124722-59050	10	35	129636-49720	10	37	129900-77450	15	7
119802-13611	6	4			38	129636-49790	10	36			12
119802-13720	6	5			14	129685-77640	15	28	129902-21050	8	1
119802-49110	10	12	124766-59050	14	5	129795-01900	16	22	129906-01350	1	29
119802-51590	11	65			9	129900-01200	1	28	129906-01610	3	2
119802-51600	11	66	128300-77920	17	36	129900-01250	1	5	129906-21520	8	12
119802-51680	11	70	128401-77440	16	7	129900-02020	1	7	129906-22050	8	19
119802-51690	11	71	128401-77450	16	8	129900-02341	1	33	129906-22090	8	17
119803-11340	4	14	129004-55612	14	1	129900-02410	1	10	129906-22910	8	37
119803-53400	13	13	129005-59830	9	21	129900-02931	1	25	129906-34820	9	2
119807-61420	12	24	129008-51920	11	13	129900-02941	1	36	129906-42000	10	1
119810-77340	16	25	129052-77380	16	3	129900-13120	6	1	129906-49300	10	13
119934-59910	11	132	129052-79260	16	13	129900-13150	6	3	129906-51580	11	63

Parts No. Index

Parts No.	Fig. No.	Ref. No.	Parts No.	Fig. No.	Ref. No.	Parts No.	Fig. No.	Ref. No.	Parts No.	Fig. No.	Ref. No.
129906-53000	13	2	129930-21690	8	16	158600-51270	11	23	24311-000320	2	40
129906-59810	13	52	129930-35000	9	9	158601-51550	11	58		4	65
129906-59820	13	53	129930-39050	9	26	158601-51570	11	62	24316-240100	9	4
129906-59830	13	54	129930-42450	10	19	158601-51650	11	78	24321-000750	17	10
129906-59840	13	55	129933-11310	4	59	158601-51770	11	101	24321-000850	2	42
129907-01950	11	134	129946-21650	8	10	158601-51790	11	103	24351-030750	2	31
129907-01960	11	135	129950-59211	14	4	171008-77410	15	3	24356-190200	11	72
129907-03011	4	50	129950-59221	14	10	171008-77420	15	4			122
129907-03061	4	51	129951-01740	2	6	171008-77450	15	8	24356-240210	11	123
129907-03070	4	52	129951-34820	9	3	171008-77670	15	18	24372-000150	11	73
129907-07900	4	67	129953-25300	7	15	171008-77750	15	29	25152-004400	10	20
129907-11100	4	10	129956-32001	2	15	171051-01921-Z	1	6	26014-080252	16	26
129907-11110	4	11	129957-59120	14	6	171056-49120	9	29	26014-080352	10	23
129907-11120	4	12	129960-21930	8	45	22190-080002	9	22	26106-060102	11	124
129907-11250	4	30	129960-21940	8	9 -1			24		12	64
129907-11260	4	31	129961-77200	16	1			28			65
129907-11270	4	32	129961-77421	16	6		14	20	26106-060142	12	82
129907-11321	4	49	129962-49620	10	33	22190-120002	11	106	26106-060162	13	56
129907-11341	4	29	129962-49720	10	34			115	26106-060202	10	15
129907-11510	4	16	129963-01500	2	8			116	26106-060252	12	83
129907-11650	4	34	129980-59510	14	11	22190-140002	17	25	26106-060352	11	125
129907-11660	4	38	129981-59010	14	8			28	26106-060402	12	84
129907-11700	4	2	144626-51090	11	14	22190-160002	12	79	26106-080122	3	12
129907-11800	4	66	158552-51571	11	60	22190-180002	11	107		9	14
129907-11910	4	25	158552-51580	11	64			117			15
129907-11920	4	42	158552-51670	11	130	22190-220002	3	11			25
129907-11950	4	26	158552-51781	11	102	22217-180000	11	118	26106-080142	7	9
129907-12100	5	1	158552-52100	11	111	22252-000300	8	26	26106-080162	2	32
129907-12110	5	3	158552-52311	11	113	22312-050140	11	119		4	68
129907-14400	7	2	158552-52400	11	114	22312-120200	3	4		9	5
129907-25900	7	16	158552-52500	11	112	22351-050010	11	120		11	136
129907-39061	9	17	158552-61900	12	74	22351-060012	1	11	26106-080182	13	57
129907-51560	11	59	158553-51551	11	57	22512-070140	7	8	26106-080202	2	33
129907-55801	14	2	158553-51630	11	75		8	7	26106-080222	11	137
129907-59140	14	13	158553-51640	11	77	22857-500100	4	61			138
129907-59710	13	50	158553-51660	11	79			62	26106-080252	10	28
129908-14590	7	3	158553-51670	11	69	23857-030000	9	23	26106-080302	14	3
129916-01790	3	7	158553-51680	11	80	23857-080000	17	26	26106-080402	2	34
129916-01800	2	4	158553-51930	11	105			29		4	44
129916-21610	8	8	158557-51570	11	61	23876-020000	4	7	26106-080452	2	35
129916-22950	8	39	158560-51600	11	74	23876-030000	1	12	26106-080552	5	4
129916-44740	10	21	158560-61050	12	3			13			10
129917-42160	10	4	158560-61061	12	85			14		7	14
129917-42170	10	5	158560-61071	12	4			4		10	18
129917-42300	10	9	158560-61430	12	25	23887-160002	12	81	26106-080602	4	45
129917-42310	10	10	158560-61442	12	26	24311-000070	11	121			46
129928-51900	11	12	158563-51150	11	17	24311-000120	4	27	26106-080702	2	36
129930-01710	3	8	158563-51281	11	24			64	26106-080752	2	37
129930-01870	2	41			25			17	26106-080852	5	5
129930-13201	17	1	158563-51330	11	35	24311-000160	17	9	26106-080902	5	11

Parts No. Index

Parts No.	Fig. No.	Ref. No.
26106-100202	2	43
	11	139
26106-120252	15	30
26206-100202	3	5
26206-100352	3	6
26216-100302	2	26
26226-080222	4	43
26306-080002	4	47
	6	7
26306-100002	2	38
	16	23
26450-100452	11	126
26577-060142	10	16
26756-060002	12	66
26776-180002	11	127
27241-300000	1	15
27241-400000	4	9
27310-070001	4	21
41650-550800	17	23
729900-02801	1	30
729906-01561	1	1
729906-51420	11	1
729906-53100	13	1
729907-01550	2	1
X2114955020	15	16
X2130631300	15	11
X9490561001	16	2

Parts No.	Fig. No.	Ref. No.
-----------	----------	----------

Parts No.	Fig. No.	Ref. No.
-----------	----------	----------

Parts No.	Fig. No.	Ref. No.
-----------	----------	----------