

0CV10-M92600EN

PREFACE

- 1.This Parts Catalog carries all parts incorporated in YANMAR Model 4TNV94L-NWI engine manufactured since January, 2004.
- 2.Each illustration corresponds to the parts list on the following page.
- 3.When ordering parts,clearly write down the engine model and serial number,as well as the name and number of each part in your order sheet. This will help insure reliable delivery of the parts you have ordered.

Directions for the Parts Catalog.

1. The parts stipulated in this Parts Catalog are not necessarily standard equipped parts.
2. Parts may change without prior notice.
3. The following is an example of the Parts Catalog format.

REF.	LEV.	PARTS NO.	DESCRIPTION	Q'TY						I	R
				(A)	(B)	(C)	(D)	(E)	(F)		
1	1	729595-51390	FUEL INJECTION PUMP	1	1	1	1	1			1
1-1	1	729595-51391	FUEL INJECTION PUMP	1	1	1	1	1		N	1
		(A=E00185) (B=E00200)									
3	2	26022-060162	SCREW M 6X 16	9	9	9	9	9			
3-1	2	26022-060162	SCREW M 6X 16	4	4	4	4	4		K	
		(A=E00156) (B=E00156) (C=E00156) (D=E00156) (E=E00156)									
4	2	129470-51040	CAMSHAFT	1	1	1	1	1			
5	2	122710-51050	BEARING, ROLLER	2	2	2	2	2			
6	2	129470-51060	RETAINER	1	1	1	1	1			

Remarks
(1) BOOST COMPEMSATOR TYPE. OPTIONAL PART, TO E00155,(4JH-DT, 4JH-DTZ

① Ref. No.

The Ref. No. listed may not be in accordance with the illustration Ref. No.

(Ex.) Illustration No.

List Ref No.

1 1 (Before change) → 1-1 (After change)

For interchangeable symbols N, R and K, illustrations for new parts may be abbreviated.

② Lev. (Level)

Level indication

The numbers below indicate the level of relativity towards the main part.

1 ---- Main parts (Assembly parts)

2 ---- Sub component included in " 1 ".

3 ---- Sub component included in " 2 ".

Note) Parts that are not for sale are partially illustrated but not listed.

③ Interchangeability Mark

When a part change takes place, one of the following interchangeability symbols is indicated beside the part.

Symbol	Interchangeability	Contents note
N	Old $\begin{matrix} \leftarrow \text{Yes} \\ \text{No} \rightarrow \end{matrix}$ New	New Part is interchangeable for Old Part but Old Part is not interchangeable for New Part.
Q	Old $\begin{matrix} \leftarrow \text{No} \\ \text{Yes} \rightarrow \end{matrix}$ New	New Part is not interchangeable for Old Part but Old Part is interchangeable for New Part.
R	Old $\begin{matrix} \leftarrow \text{Yes} \\ \text{Yes} \rightarrow \end{matrix}$ New	New/ Old Parts are both interchangeable.
S	Old $\begin{matrix} \leftarrow \text{No} \\ \text{No} \rightarrow \end{matrix}$ New	New/ Old Parts are both not interchangeable.
W		Part newly added.
Z		Part discontinued.
F		Not interchangeable by a single part but interchangeable together with related parts.
K		Changes only for used parts quantities.

④ Effective Machine No.

When a part changes, the effective Machine No. will be indicated in the (A)-(F) column.

Product Symbol	Product No.	Product Symbol	Product No.
C	Clutch No. Compressor No.	F	Machine No. (Agricultural Equip.)
D	Drive No.	M	Machine No.
E	Engine No.		

Note 1) A date may follow the symbol. (Ex.) 1996.01

Note 2) "XXXXX" and "ZZZZZ" are for parts that could not be predicted or for engine models that could not be identified.

Note 3) (A=E00185) is the E (Engine Serial Number) for the column (A) model (in this case 4JH-DT) after the parts design change.

⑤ Remarks Mark

Figures or alphabets (symbols) are entered in the remarks column.

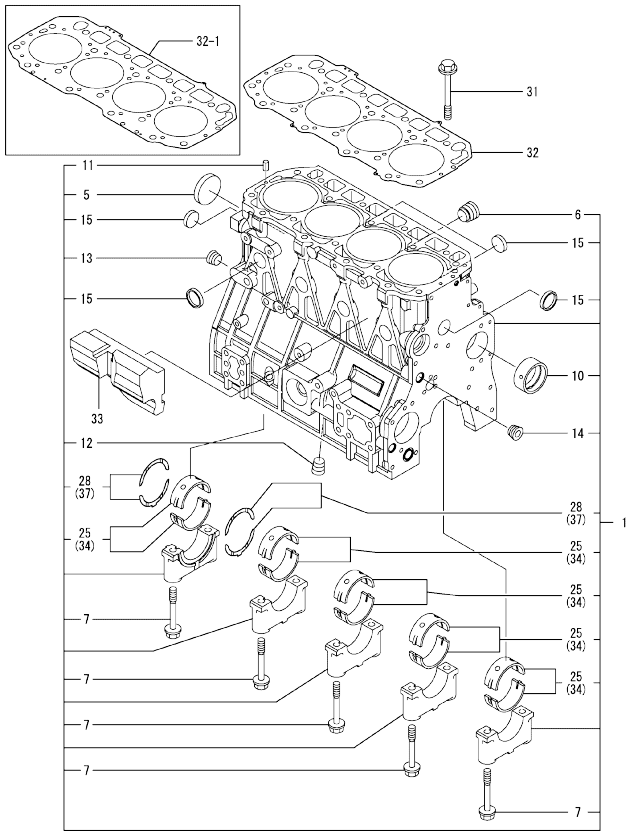
The comments (remarks) on parts that are indicated at the bottom of the illustration are the same symbols as those stated above.

Contents

0CV10-M92600

Fig. No.	Fig. Name	Fig. No.	Fig. Name
4	TNV94L-NWI		
1.	CYLINDER BLOCK		
2.	GEAR HOUSING		
3.	FLYWHEEL HOUSING & OIL SUMP		
4.	CYLINDER HEAD & BONNET		
5.	SUCTION MANIFOLD		
6.	EXHAUST MANIFOLD		
7.	CAMSHAFT & DRIVING GEAR		
8.	CRANKSHAFT & PISTON		
9.	LUB. OIL SYSTEM		
10.	COOLING WATER SYSTEM		
11.	FUEL INJECTION PUMP		
12.	FUEL INJECTION VALVE		
13.	FUEL LINE		
14.	STARTING MOTOR		
17.	(14A)STARTING MOTOR		
15.	GENERATOR		
16.	GASKET SET		

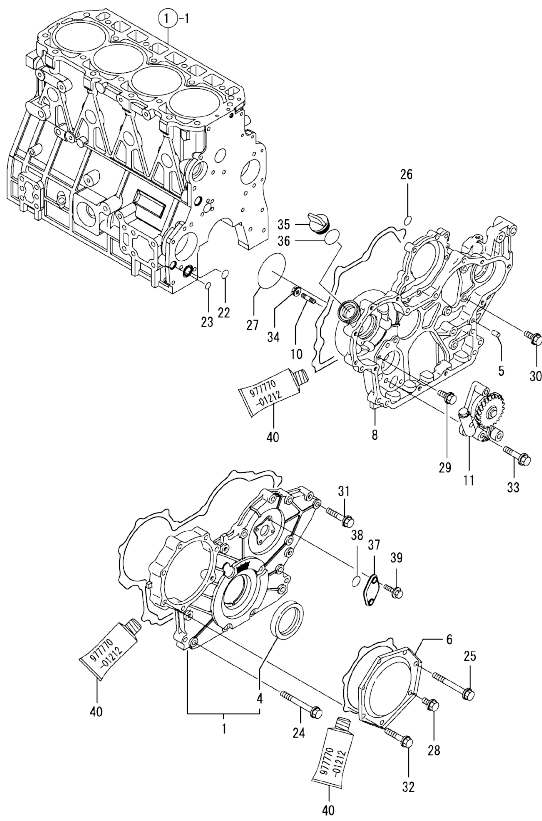
Fig.1. CYLINDER BLOCK



No.	Lev.	Parts No.	Description	Q'ty						I	R
				(A)	(B)	(C)	(D)	(E)	(F)		
1	1	729906-01560	BLOCK ASSY, CYLINDER	1							
5	2	129900-01250	PLUG, DISH TYPE 55	1							
6	2	171051-01921	PLUG, NPTF1	1							
7	2	129900-02020	BOLT, METAL CAP	10							
10	2	129900-02410	BUSH, CAMSHAFT	1							
11	2	22351-060012	PIN, SPRING 6.0X12	2							
12	2	23876-030000	PLUG, R03	1							
13	2	23876-030000	PLUG, R03	1							
14	2	23876-030000	PLUG, R03	1							
15	2	27241-300000	PLUG 30	8							
25	2	729900-02800	BEARING, MAIN	5							3
28	2	129900-02930	BEARING ASSY, THRUST	2							
31	1	129900-01200	BOLT, CYLINDER HEAD	18							
32	1	129906-01340	GASKET, HEAD	1							
32-1	1	129906-01350	GASKET, HEAD	1							S
(A=2009.12)											
33	1	129907-01190	SPACER	1							
34	1	129900-02340	BEARING ASSY, MAIN	5							1
37	1	129900-02940	BEARING, THRUST 0.25	2							2

Remarks
 (1) UNDER-SIZED(U.S=0.25)PART.
 (2) OVER-SIZED(O.S=0.25)PART.
 (3) REPAIR PART.

Fig.2. GEAR HOUSING



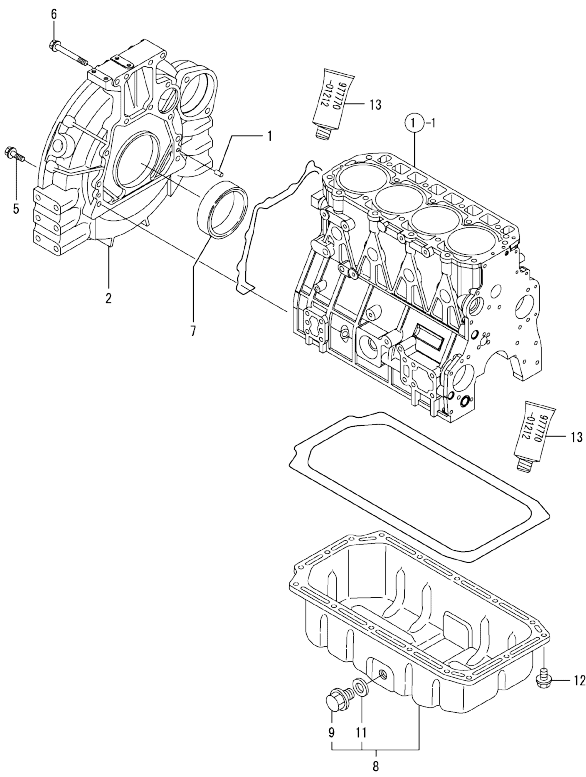
(A)=4TNV94L-NWI
(B)=
(C)=

(D)=
(E)=
(F)=

No.	Lev.	Parts No.	Description	Q'ty						I	R
				(A)	(B)	(C)	(D)	(E)	(F)		
1	1	729907-01580	COVER ASSY,GEAR CASE	1							
4	2	129900-01780	SEAL, OIL	1							
5	1	129100-01580	PIN, PARALLEL 8X16	4							
6	1	129900-01740	COVER	1							
8	1	129944-01500	CASE, GEAR	1							
10	1	26216-100302	STUD, M10X 30	4							
11	1	129900-32001	PUMP ASSY, OIL	1							
22	1	129900-32030	O-RING, P20	1							
23	1	129900-32040	O-RING, P14	1							
24	1	129001-91810	BOLT, M8X70	6							
25	1	129001-91810	BOLT, M8X70	1							
26	1	24311-000070	O-RING, 1AP7.0	1							
27	1	24351-030750	O-RING, 1A3075	1							
28	1	26106-080162	BOLT, M8X 16 PLATED	1							
29	1	26106-080162	BOLT, M8X 16 PLATED	1							
30	1	26106-080202	BOLT, M8X 20 PLATED	3							
31	1	26106-080402	BOLT, M8X 40 PLATED	5							
32	1	26106-080402	BOLT, M8X 40 PLATED	5							
33	1	26106-080452	BOLT, M8X 45 PLATED	3							
34	1	26306-100002	NUT, M10	4							
35	1	124160-01751	CAP, FILLER	1							
36	1	24311-000320	O-RING, 1AP32.0	1							
37	1	121023-01550	COVER	1							
38	1	24341-000240	O-RING, 1AS24.0	1							
39	1	26106-060162	BOLT, M6X 16 PLATED	2							
40	1	97770-01212	GASKET, LIQUID	1							1

Remarks
(1) OPTIONAL PART.

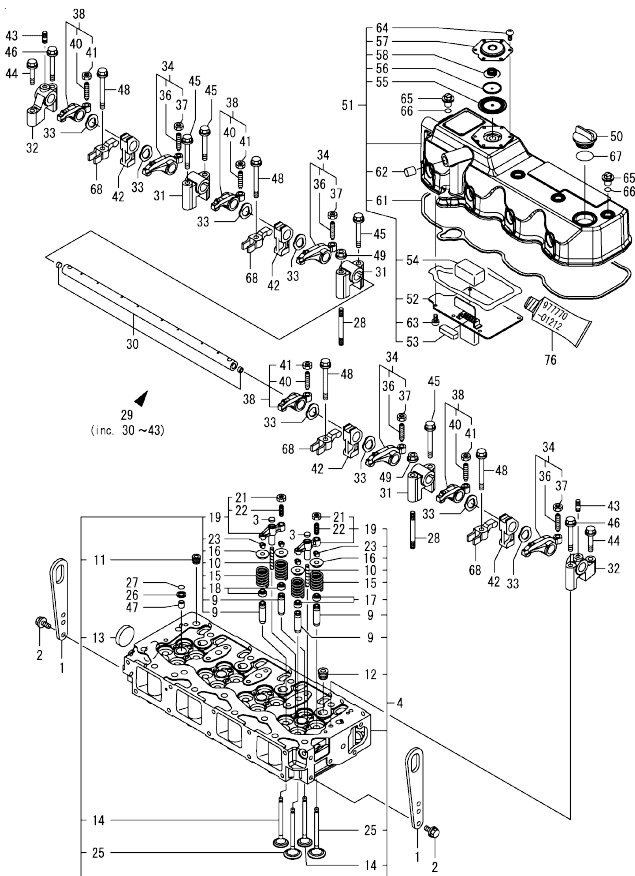
Fig.3. FLYWHEEL HOUSING & OIL SUMP



No.	Lev.	Parts No.	Description	Q'ty						I	R
				(A)	(B)	(C)	(D)	(E)	(F)		
1	1	129100-01580	PIN, PARALLEL 8X16		2						
2	1	129900-01620	HOUSING, FLYWHEEL		1						
5	1	26206-100352	BOLT, M10X 35 PLATED		9						
6	1	26206-100702	BOLT, M10X 70 PLATED		4						
7	1	124411-01780	SEAL, HTC95X115X12		1						
8	1	129902-01710	OIL PAN ASSY		1						
9	2	119640-01640	PLUG, DRAIN M22		1						
11	2	22190-220002	WASHER, SEAL 22		1						
12	1	26106-080122	BOLT, M8X 12 PLATED		16						
13	1	977770-01212	GASKET, LIQUID		1						1

Remarks
(1) OPTIONAL PART.

Fig.4. CYLINDER HEAD & BONNET



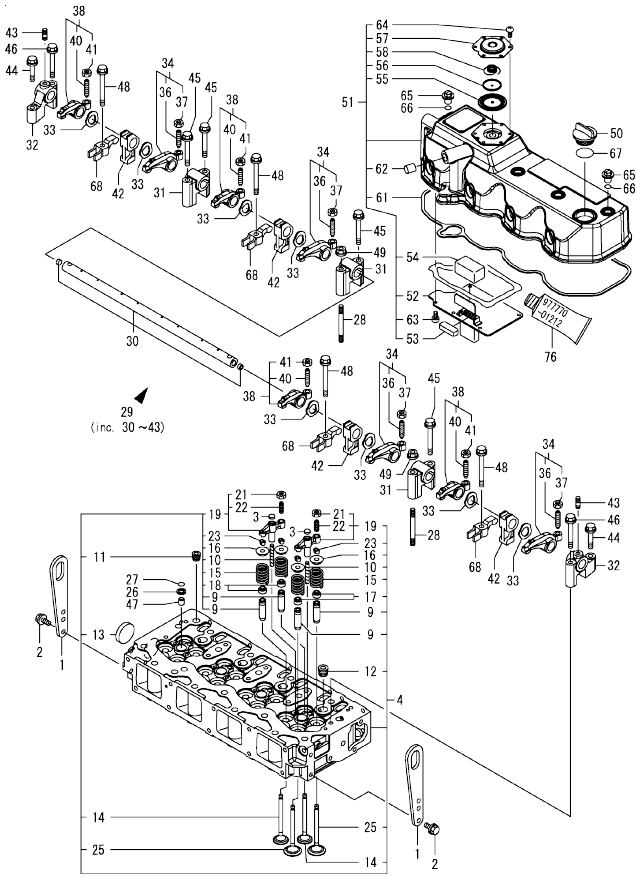
Remarks
 (1) REPAIR PART.
 (2) OPTIONAL PART.

(A)=4TNV94L-NWI
 (B)=
 (C)=

(D)=
 (E)=
 (F)=

No.	Lev.	Parts No.	Description	Q'ty						I	R
				(A)	(B)	(C)	(D)	(E)	(F)		
1	1	129900-07900	LIFTER, ENGINE	2							
2	1	26106-080162	BOLT, M8X 16 PLATED	4							
3	1	123907-11550	SEAT, VALVE BRIDGE	8							
4	1	129907-11700	HEAD ASSY, CYLINDER	1							1
9	2	129907-11800	GUIDE, VALVE	16							
10	2	123907-11820	GUIDE, BRIDGE	8							
11	2	23876-020000	PLUG, R02	1							
12	2	23876-030000	PLUG, R03	4							
13	2	27241-400000	PLUG, 40	1							
14	2	129907-11110	VALVE, EXHAUST	8							
15	2	129907-11120	SPRING, VALVE	16							
16	2	119620-11180	RETAINER, SPRING	16							
17	2	124160-11340	SEAL, VALVE STEM	8							
18	2	124950-11340	SEAL, VALVE STEM	8							
19	2	129907-11510	BRIDGE ASSY, VALVE	8							
21	3	129150-11750	NUT, M8	8							
22	3	123907-11830	ADJUSTER	8							
23	2	27310-070001	COTTER, 7	16							
25	2	129907-11100	VALVE, SUCTION	8							
26	1	119625-11880	SEAT, NOZZLE	4							
27	1	24311-000120	O-RING, 1AP12.0	4							
28	1	119593-11301	BOLT, STUD M8X80	2							
29	1	129907-11341	SHAFT ASSY, ROCKER	1							
30	2	129907-11250	SHAFT, ROCKER ARM	1							
31	2	129907-11260	SUPPORT, ROCKER ARM	3							
32	2	129907-11270	SUPPORT, ROCKER ARM	2							
33	2	123907-11280	WASHER	8							
34	2	129907-11650	ARM ASSY, ROCKER	4							
36	3	129150-11230	SCREW, VALVE ADJUST	4							
37	3	129150-11750	NUT, M8	4							
38	2	129907-11660	ARM ASSY, ROCKER	4							
40	3	129150-11230	SCREW, VALVE ADJUST	4							
41	3	129150-11750	NUT, M8	4							
42	2	129907-11920	RETAINER, NOZZLE	4							
43	2	26226-080222	STUD, M8X 22	2							
44	1	26106-080402	BOLT, M8X 40 PLATED	2							
45	1	26106-080602	BOLT, M8X 60 PLATED	4							
46	1	26106-080602	BOLT, M8X 60 PLATED	2							
47	1	119802-11870	PROTECTOR, NOZZLE	4							
48	1	129907-11950	BOLT, M8X75	4							
49	1	26306-080002	NUT, M8	2							
50	1	124160-01751	CAP, FILLER	1							
51	1	129907-11320	BONNET ASSY, HEAD	1							
52	2	129907-03010	PLATE, BAFFLE	1							
53	2	129907-03060	BAFFLE, BREATHER	1							
54	2	129907-03070	BAFFLE, BREATHER	1							
55	2	123907-03100	DIAPHRAGM	1							
56	2	123907-03110	PLATE	1							
57	2	123907-03120	PLATE, BREATHER	1							
58	2	123907-03140	SPRING, DIAPHRAGM	1							
61	2	129907-11310	GASKET, BONNET	1							

Fig.4. CYLINDER HEAD & BONNET



(A)=4TNV94L-NWI
(B)=
(C)=

(D)=
(E)=
(F)=

No.	Lev.	Parts No.	Description	Q'ty						I	R
				(A)	(B)	(C)	(D)	(E)	(F)		
62	2	119640-61400	PLUG	1							
63	2	22857-500100	SCREW, 5X10	6							
64	2	22857-500100	SCREW, 5X10	6							
65	1	124160-11360	KNOB	4							
66	1	24311-000120	O-RING, 1AP12.0	4							
67	1	24311-000320	O-RING, 1AP32.0	1							
68	1	129907-11910	RETAINER, NOZZLE	4							
76	1	97770-01212	GASKET, LIQUID	1							2

Remarks

- (1) REPAIR PART.
- (2) OPTIONAL PART.

Fig.5. SUCTION MANIFOLD

(A)=4TNV94L-NWI
(B)=
(C)=

(D)=
(E)=
(F)=

No.	Lev.	Parts No.	Description	Q'ty						I	R
				(A)	(B)	(C)	(D)	(E)	(F)		
1	1	129907-12100	MANIFOLD, AIR INTAKE	1							
2	1	129907-12110	GASKET, MANIFOLD	1							
3	1	26106-080552	BOLT, M8X 55 PLATED	9							
4	1	26106-080852	BOLT, M8X 85 PLATED	1							
5	1	121850-77021	GASKET, AIR HEATER	1							
6	1	129915-77050	HEATER, AIR 12V	1							
7	1	26106-080352	BOLT, M8X 35 PLATED	4							

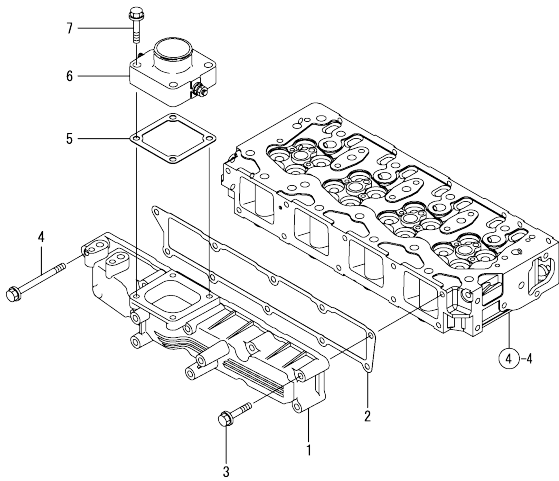


Fig.6. EXHAUST MANIFOLD

(A)=4TNV94L-NWI
(B)=
(C)=

(D)=
(E)=
(F)=

No.	Lev.	Parts No.	Description	Q'ty					
				(A)	(B)	(C)	(D)	(E)	(F)
1	1	129900-13200	MANIFOLD, EXHAUST	1					
3	1	129900-13251	GASKET, EXH.MANIFOLD	1					
4	1	123900-13610	BOLT, STUD M8X80	2					
5	1	123900-13630	BOLT, M8X80	6					
6	1	119131-18320	BOLT, STUD M8X22	4					
7	1	26306-080002	NUT, M8	2					
8	1	129930-13201	GASKET, SILENCER	1					

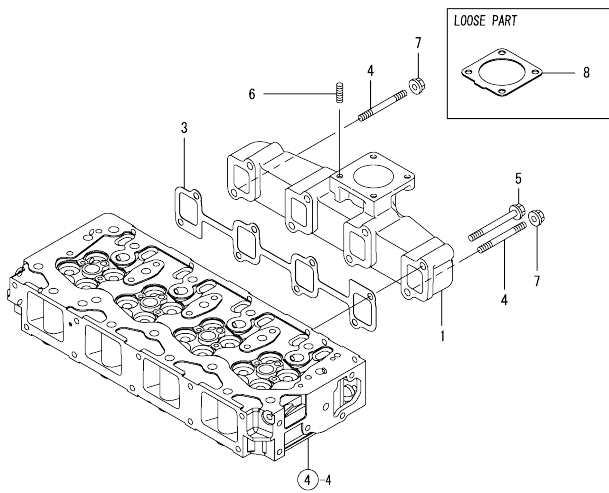
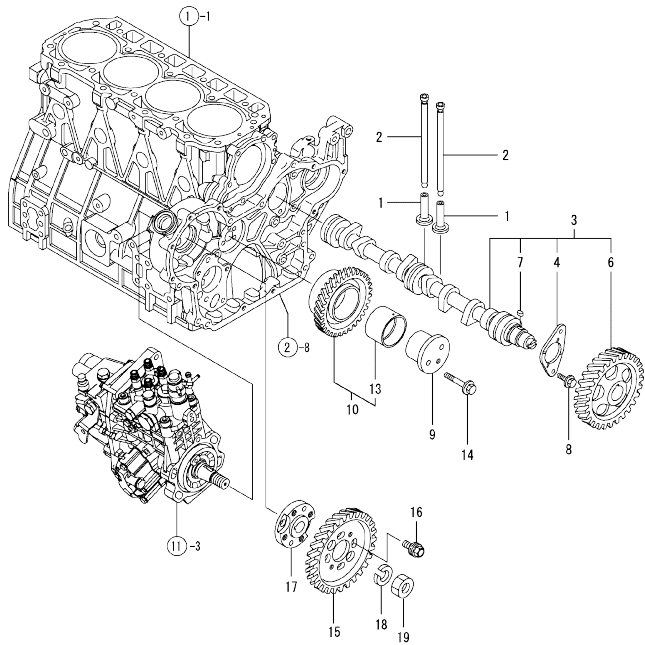


Fig.7. CAMSHAFT & DRIVING GEAR



(A)=4TNV94L-NWI
(B)=
(C)=

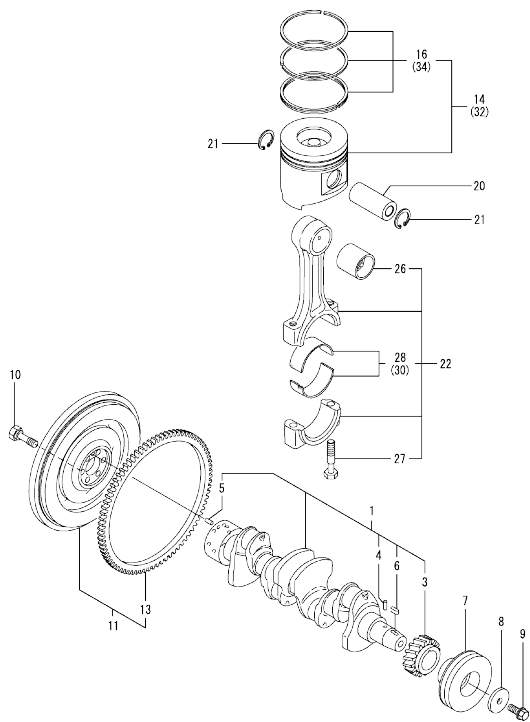
(D)=
(E)=
(F)=

No.	Lev.	Parts No.	Description	Q'ty						I	R
				(A)	(B)	(C)	(D)	(E)	(F)		
1	1	129150-14200	TAPPET	8							
2	1	129907-14400	PUSH-ROD	8							
3	1	129907-14581	CAMSHAFT ASSY	1							
3-1	1	129908-14581	CAMSHAFT ASSY	1							N
4	2	129150-02450	BEARING, THRUST	1							
6	2	129900-14100	GEAR, CAMSHAFT	1							
7	2	22512-070140	KEY, 7X 14	1							
8	1	26106-080162	BOLT, M8X 16 PLATED	2							
9	1	123900-25060	SHAFT, IDLE GEAR	1							
10	1	129900-25100	GEAR ASSY, IDLE	1							
13	2	129150-25920	BUSH, IDLE GEAR	1							1
14	1	26106-080552	BOLT, M8X 55 PLATED	3							
15	1	123907-25909	GEAR, PUMP	1							
16	1	129953-25300	BOLT	4							
17	1	158563-51150	FLANGE	1							
18	1	22217-180000	WASHER, SPRING 18	1							
19	1	26776-180002	NUT, LOCK M18	1							

Remarks
(1) REPAIR PART.

N:Old $\frac{100}{100}$ New, Q:Old $\frac{100}{100}$ New, R:Old $\frac{100}{100}$ New, S:Old $\frac{100}{100}$ New, W:Add, Z:Discontinued, F:Interchangeable by set, K:Q'ty Change
Copyright (C) YANMAR GLOBAL CS CO., LTD. All Rights Reserved.

Fig.8. CRANKSHAFT & PISTON



(A)=4TNV94L-NWI
(B)=
(C)=

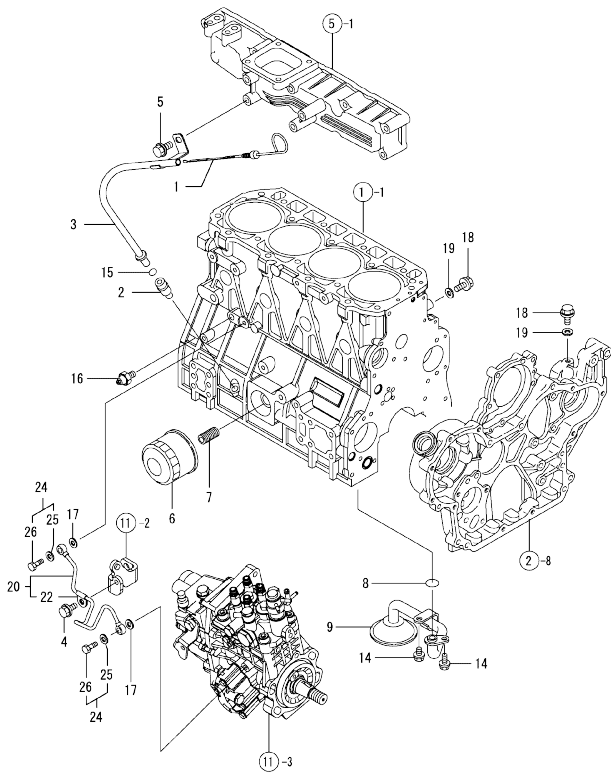
(D)=
(E)=
(F)=

No.	Lev.	Parts No.	Description	Q'ty						I	R
				(A)	(B)	(C)	(D)	(E)	(F)		
1	1	129902-21000	CRANKSHAFT ASSY	1							
3	2	129900-21200	GEAR, CRANKSHAFT	1							
4	2	121850-21290	PIN	1							
5	2	121850-21920	PIN, PARALLEL 10X22	1							
6	2	22512-070140	KEY, 7X 14	1							
7	1	129907-21660	V-PULLEY, CRANK 130	1							
8	1	129900-21640	WASHER	1							
9	1	121850-21680	BOLT	1							
10	1	121850-21130	BOLT, FLYWHEEL	6							
11	1	129900-21580	FLYWHEEL ASSY	1							
13	2	129900-21600	GEAR, RING	1							
14	1	129906-22080	PISTON ASSY	4							
14-1	1	129906-22090	PISTON ASSY	4							F 4
		(A=*2009.12)									
16	2	129906-22050	RING SET, PISTON	4							
20	1	120130-22301	PIN, PISTON	4							
21	1	22252-000300	RING, 30	8							
22	1	129900-23000	ROD ASSY, CONNECTING	4							
26	2	129900-23910	BEARING, PISTON PIN	4							1
27	2	129900-23200	BOLT, CONNECTING ROD	8							
28	2	129900-23600	BEARING, CRANK PIN	4							
30	1	129900-23610	BEARING ASSY, 0.25US	4							2
32	1	729906-22900	PISTON ASSY, 0.25 OS	4							3
32-1	1	129906-22900	PISTON ASSY, 0.25 OS	4							R 3
		(A=EXXXXX)									
32-2	1	129906-22910	PISTON ASSY, 0.25 OS	4							F 3
		(A=*2009.12)									
34	2	729906-22950	RING SET, 0.25 OS	4							3
34-1	2	129916-22950	RING SET, 0.25 OS	4							R 3
		(A=EXXXXX)									

Remarks

- (1) Repair part.
- (2) Under-sized (U.S.=0.25) part.
- (3) Over-sized (O.S.=0.25) part.
- (4) Ref. No. 14 is interchangeable with a set of Ref. No. 14-1 and Fig.1 Ref. No.32-1.

Fig.9. LUB. OIL SYSTEM



(A)=4TNV94L-NWI
(B)=
(C)=

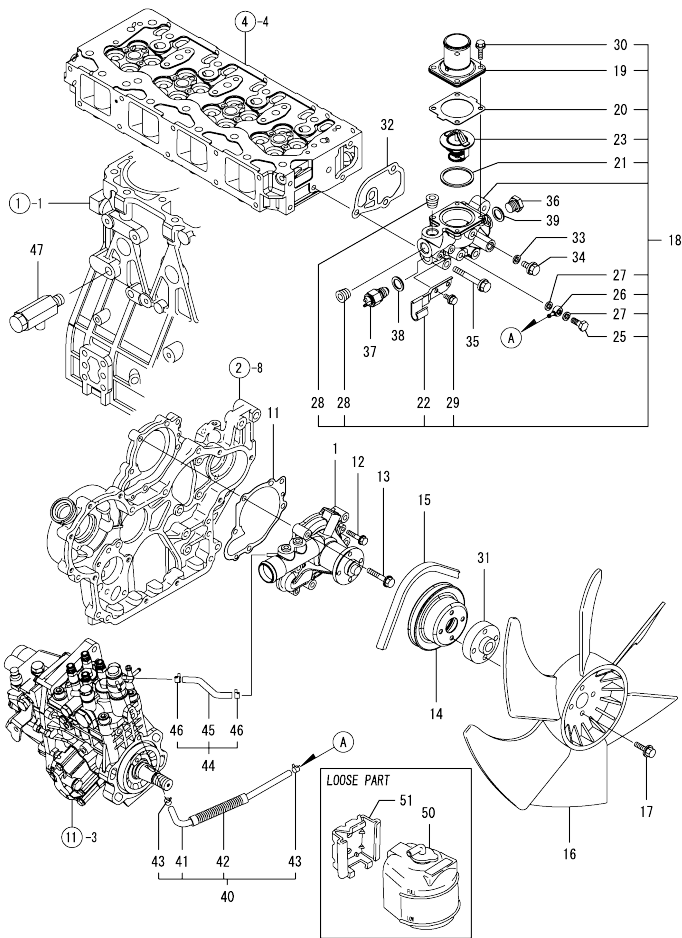
(D)=
(E)=
(F)=

No.	Lev.	Parts No.	Description	Q'ty						I	R
				(A)	(B)	(C)	(D)	(E)	(F)		
1	1	129951-34801	DIPSTICK	1							
2	1	119260-34810	GUIDE, DIPSTICK	1							
3	1	129951-34812	GUIDE, DIPSTICK	1							
4	1	26106-080122	BOLT, M8X 12 PLATED	1							
5	1	26106-080162	BOLT, M8X 16 PLATED	1							
6	1	129150-35153	FILTER ASSY, D80X80L	1							1
7	1	119000-35140	BOLT, STUD FILTER	1							
8	1	129900-32030	O-RING, P20	1							
9	1	129900-35000	PIPE ASSY, OIL INLET	1							
14	1	26106-080122	BOLT, M8X 12 PLATED	2							
15	1	24311-240100	O-RING, 1AP10A	1							
16	1	121252-39450	SWITCH, HYDRAULIC	1							
17	1	22190-080002	WASHER, SEAL 6	2							
18	1	26106-080122	BOLT, M8X 12 PLATED	2							
19	1	22190-080002	WASHER, SEAL 6	2							
20	1	129907-39061	PIPE ASSY, OIL	1							
22	2	123907-39500	RETAINER, PIPE	1							
24	1	129005-69830	BOLT ASSY, JOINT M8	2							
25	2	22190-080002	WASHER, SEAL 6	2							
26	2	23857-030000	BOLT, JOINT 3	2							

Remarks
(1) REPAIR PART.

N:Old $\frac{100}{100}$ New, Q:Old $\frac{100}{100}$ New, R:Old $\frac{100}{100}$ New, S:Old $\frac{100}{100}$ New, W:Add, Z:Discontinued, F:Interchangeable by set, K:Qty Change
Copyright (C) YANMAR GLOBAL CS CO., LTD. All Rights Reserved.

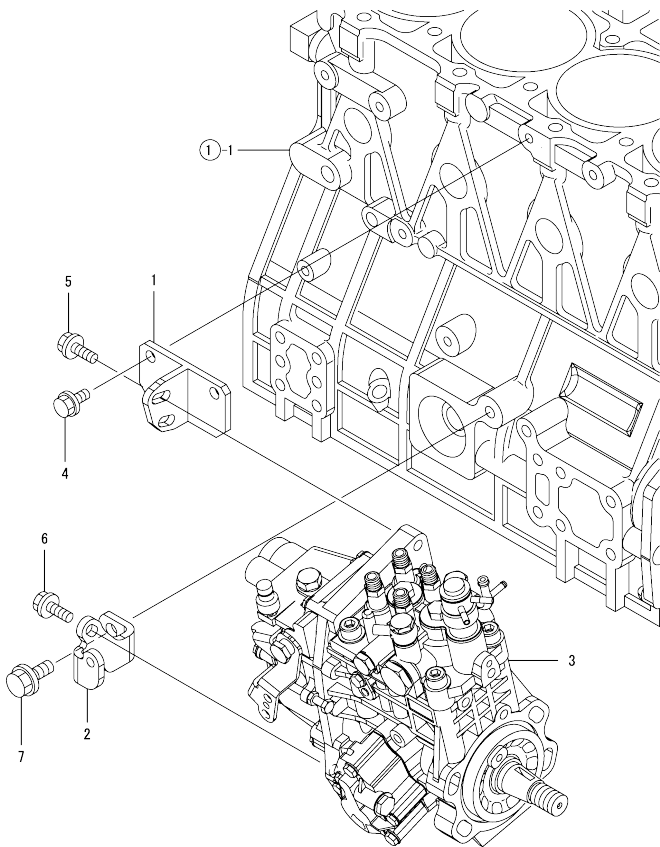
Fig.10. COOLING WATER SYSTEM



No.	Lev.	Parts No.	Description	Q'ty						I	R
				(A)	(B)	(C)	(D)	(E)	(F)		
1	1	129907-42000	PUMP ASSY, WATER	1							
11	1	129900-42020	GASKET, WATER PUMP	1							
12	1	26106-060302	BOLT, M6X 30 PLATED	2							
13	1	26106-080552	BOLT, M8X 55 PLATED	5							
14	1	129900-42461	V-PULLEY, C.W.PUMP	1							
15	1	25132-004100	V-BELT, A41	1							
16	1	129916-44740	FAN, COOLING D=430	1							
17	1	26106-080302	BOLT, M8X 30 PLATED	4							
18	1	129907-49800	CASE ASSY, THERMOSTAT	1							
19	2	129916-49530	COVER, THERMOSTAT	1							
20	2	121850-49540	GASKET, THERMOSTAT	1							
21	2	121850-49550	GASKET, THERMOSTAT	1							
22	2	129907-49730	RETAINER, PIPE	1							
23	2	121850-49810	THERMOSTAT, 71C	1							
25	2	105582-59150	BOLT, PIPE JOINT M8	1							
26	2	23387-040800	JOINT, HOSE 4-8	1							
27	2	23414-080000	GASKET, 8X1.0	2							
28	2	23875-030000	PLUG, R03	2							
29	2	26106-060122	BOLT, M6X 12 PLATED	2							
30	2	26106-060202	BOLT, M6X 20 PLATED	4							
31	1	119130-44760	SPACER, FAN	1							
32	1	129900-49870	GASKET, THERMOSTAT	1							
33	1	23414-080000	GASKET, 8X1.0	1							
34	1	26106-080122	BOLT, M8X 12 PLATED	1							
35	1	26106-080602	BOLT, M8X 60 PLATED	3							
36	1	121450-42450	PLUG, M16	1							
37	1	121250-44901	SWITCH, THERMO 110	1							
38	1	124465-44950	GASKET, 16	1							
39	1	124465-44950	GASKET, 16	1							
40	1	129907-49610	HOSE ASSY, WATER	1							
41	2	129907-49710	HOSE, WATER	1							
42	2	129907-49750	TUBE, CORRUGATED	1							
43	2	124722-59050	CLAMP, HOSE 9	2							
44	1	129907-49620	HOSE ASSY, WATER	1							
45	2	129907-49720	HOSE, WATER	1							
46	2	124722-59050	CLAMP, HOSE 9	2							
47	1	119620-49290	COCK ASSY, 1/4	1							
50	1	120445-44530	TANK, SUB	1							
51	1	120445-44540	SUPPORT	1							

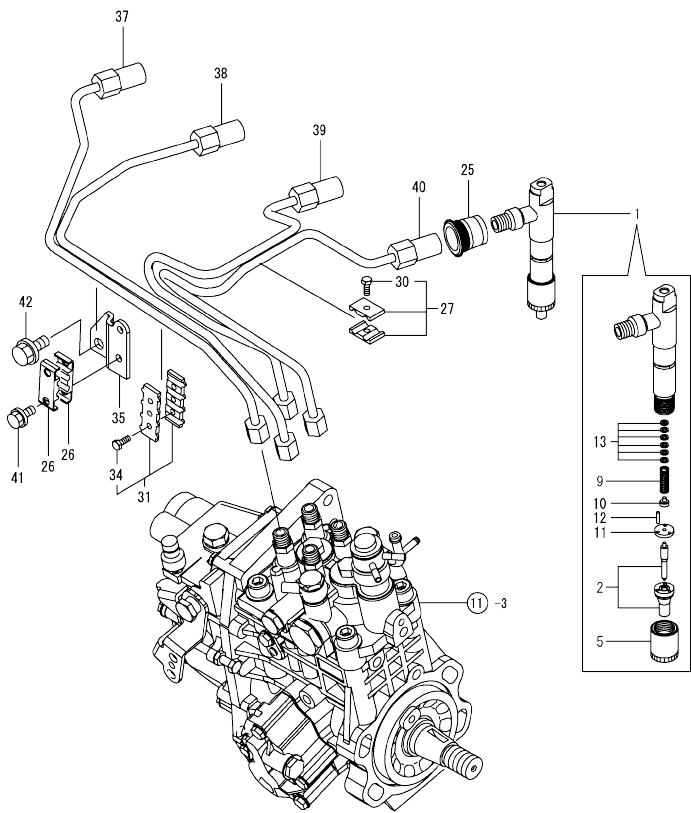
N:Old $\frac{100}{100}$ New, Q:Old $\frac{100}{100}$ New, R:Old $\frac{100}{100}$ New, S:Old $\frac{100}{100}$ New, W:Add, Z:Discontinued, F:Interchangeable by set, K:Q'ty Change
 Copyright (C) YANMAR GLOBAL CS CO., LTD. All Rights Reserved.

Fig.11. FUEL INJECTION PUMP



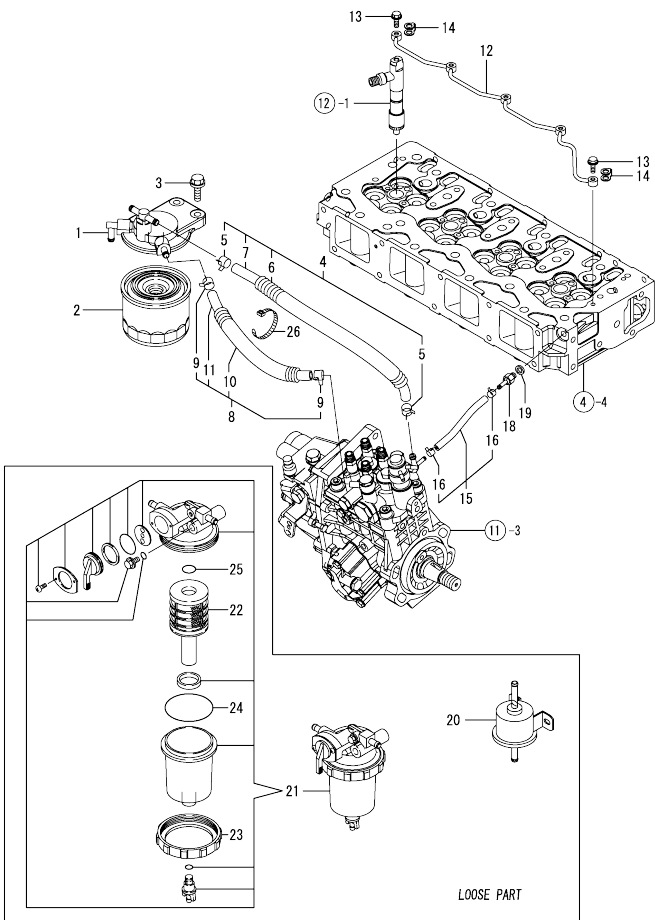
No.	Lev.	Parts No.	Description	Q'ty					
				(A)	(B)	(C)	(D)	(E)	(F)
1	1	129907-01950	RETAINER, PUMP	1					
2	1	129907-01960	RETAINER, PUMP	1					
3	1	729962-51310	PUMP ASSY, INJECTION	1					
4	1	26106-080162	BOLT, M8X 16 PLATED	2					
5	1	26106-080222	BOLT, M8X 22 PLATED	2					
6	1	26106-080222	BOLT, M8X 22 PLATED	1					
7	1	26106-100202	BOLT, M10X 20 PLATED	1					

Fig.12. FUEL INJECTION VALVE



No.	Lev.	Parts No.	Description	Q'ty					
				(A)	(B)	(C)	(D)	(E)	(F)
1	1	729906-53100	FUEL INJECTOR ASSY	4					
2	2	129906-53000	NOZZLE ASSY, F.I.	4					
5	2	114250-53080	NUT, NOZZLE	4					
9	2	114250-53120	SPRING, NOZZLE	4					
10	2	114250-53130	SEAT, SPRING	4					
11	2	114250-53140	SPACER	4					
12	2	114250-53210	PIN	8					
13	2	114250-53400	SHIM SET	4					
25	1	123907-11601	SEAL, PIPE	4					
26	1	122780-59100	RETAINER	2					
27	1	119305-59120	RETAINER, PIPE	1					
30	2	129150-59131	BOLT, M4X14	1					
31	1	129550-59120	RETAINER, PIPE	1					
34	2	129150-59131	BOLT, M4X14	2					
35	1	129907-59710	SUPPORT	1					
37	1	129907-59810	PIPE ASSY, INJECTION	1					
38	1	129907-59820	PIPE ASSY, INJECTION	1					
39	1	129907-59830	PIPE ASSY, INJECTION	1					
40	1	129907-59840	PIPE ASSY, INJECTION	1					
41	1	26106-060162	BOLT, M6X 16 PLATED	2					
42	1	26106-080182	BOLT, M8X 18 PLATED	1					

Fig.13. FUEL LINE



No.	Lev.	Parts No.	Description	Q'ty					
				(A)	(B)	(C)	(D)	(E)	(F)
1	1	129004-55610	BRACKET, FILTER	1					
2	1	119802-55800	FILTER, FUEL	1					
3	1	26106-080302	BOLT, M8X 30 PLATED	2					
4	1	129457-59010	HOSE ASSY, FUEL	1					
5	2	124766-59050	CLAMP, HOSE 11.5	2					
6	2	129957-59120	TUBE, CORRUGATED 15	1					
7	2	105025-59750	HOSE, FUEL	1					
8	1	129981-59010	HOSE ASSY, FUEL	1					
9	2	124766-59050	CLAMP, HOSE 11.5	2					
10	2	129950-59221	TUBE, CORRUGATED 15	1					
11	2	129980-59510	HOSE, FUEL	1					
12	1	129907-59140	PIPE ASSY, RETURN	1					
13	1	123907-59540	BOLT, PIPE JOINT M6	5					
14	1	123907-59550	GASKET	5					
15	1	129486-59551	HOSE ASSY, RETURN	1					
16	2	124722-59050	CLAMP, HOSE 9	2					
18	1	123907-59560	JOINT, HOSE	1					
19	1	22190-080002	WASHER, SEAL 6	1					
20	1	119225-52102	PUMP, FUEL FEED	1					
21	1	119802-55700	SEPARATOR ASSY, WATER	1					
22	2	119802-55710	ELEMENT	1					
23	2	129100-55690	RING, CUP RETAINING	1					
24	2	24321-000650	O-RING, 1AG65.0	1					
25	2	24311-000160	O-RING, 1AP16.0	1					
26	1	121750-59890	BAND, NYLON	1					

N:Old $\frac{New}{Old}$ New, Q:Old $\frac{New}{Old}$ New, R:Old $\frac{New}{Old}$ New, S:Old $\frac{New}{Old}$ New, W:Add, Z:Discontinued, F:Interchangeable by set, K:Q'ty Change
 Copyright (C) YANMAR GLOBAL CS CO., LTD. All Rights Reserved.

Fig.14. STARTING MOTOR

(A)=4TNNV94L-NWI
(B)=
(C)=

(D)=
(E)=
(F)=

No.	Lev.	Parts No.	Description	Q'ty						I	R
				(A)	(B)	(C)	(D)	(E)	(F)		
1	1	129900-77010	STARTER ASSY	1							
2	2	129900-77400	ARMATURE ASSY	1							
3	3	X2114155110	BEARING, BALL	1							
4	3	X2114255110	BEARING, BALL	1							
5	2	129900-77440	COIL ASSY, FIELD	1							
6	3	171008-77450	SCREW, CORE SET	4							
7	3	129900-77450	BRUSH	2							
8	2	129900-77480	HOLDER ASSY, BRUSH	1							
9	3	129900-77450	BRUSH	2							
10	3	X2130631300	SPRING, BRUSH	4							
11	2	129900-77460	COVER	1							
12	2	129900-77591	SWITCH ASSY, MAGNET	1							
13	2	129900-77620	LEVER SET	1							
14	2	129900-77650	COVER KIT, DUST	1							
15	2	129900-77640	BOLT, THROUGH	2							
16	2	129900-77700	CASE ASSY, GEAR	1							
17	3	129900-77510	PINION ASSY, W/CLUTCH	1							
18	4	129900-77540	SHAFT, PINION	1							
19	4	129900-77550	STOPPER SET, PINION	1							
20	4	129900-77520	CLUTCH ASSY	1							
21	4	171008-77730	BEARING, BALL	1							
22	4	171008-77740	BEARING, BALL	1							
23	4	129900-77610	RETAINER, BEARING	1							
24	3	129900-77710	CASE, GEAR	1							
25	2	171008-77750	COVER, TERMINAL	1							
26	1	26116-120302	BOLT, M12X 30 PLATED	2							

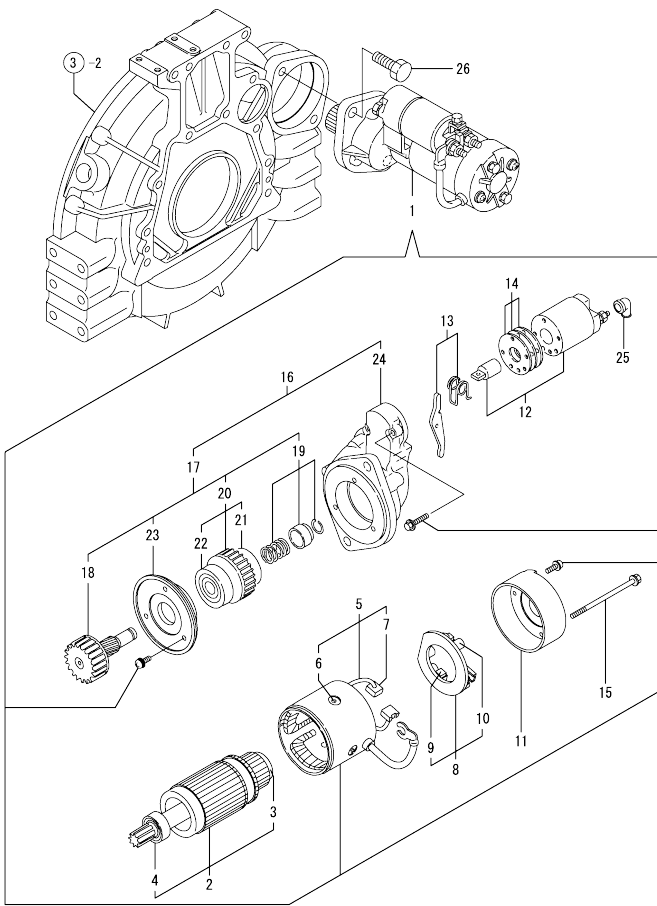
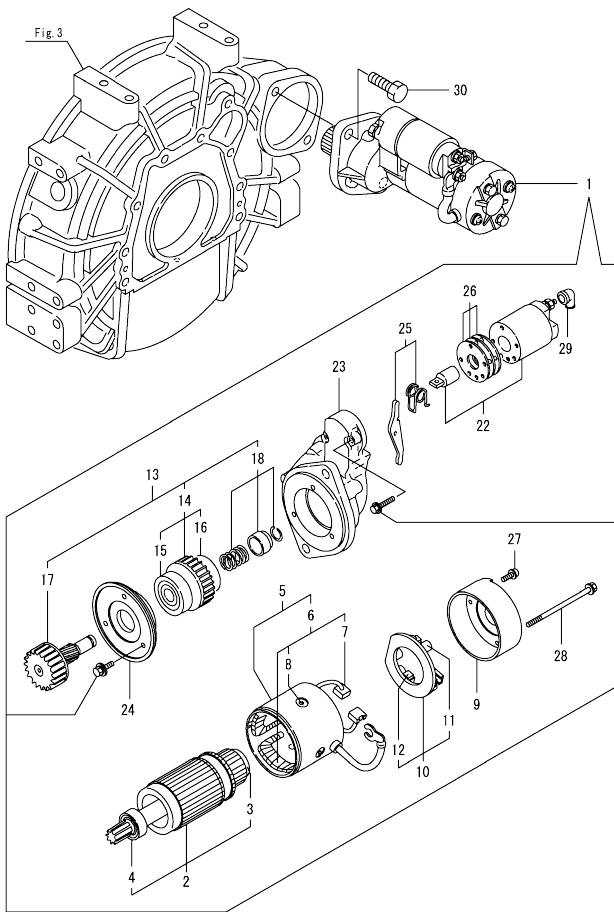
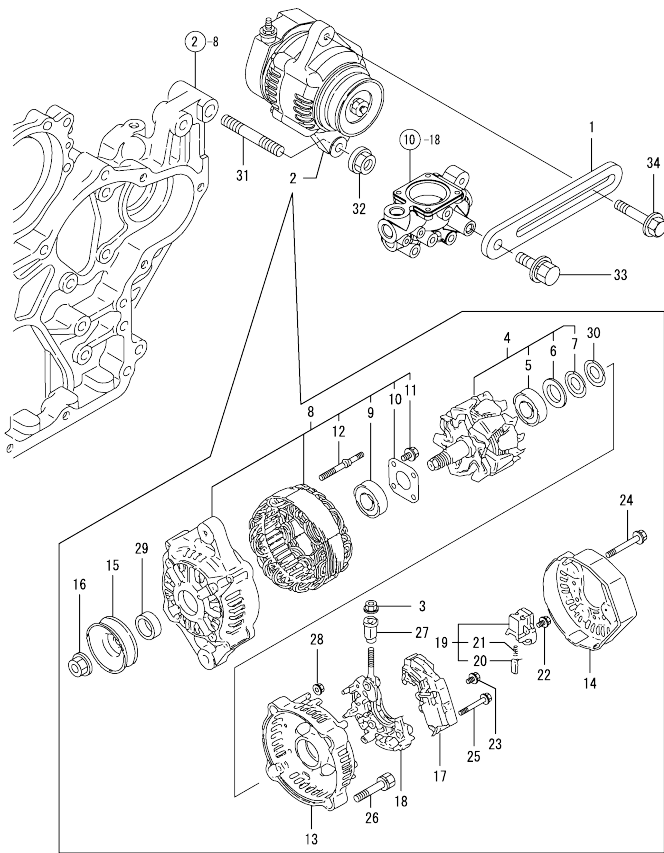


Fig.17. (14A)STARTING MOTOR



No.	Lev.	Parts No.	Description	Q'ty						I	R
				(A)	(B)	(C)	(D)	(E)	(F)		
1	1	129900-77040	STARTER ASSY	1							
2	2	129900-77120	ARMATURE ASSY	1							
3	3	171008-77410	BEARING, BALL	1							
4	3	171008-77420	BEARING, BALL	1							
5	2	129900-77130	YOKE ASSY	1							
6	3	129900-77140	COIL ASSY, FIELD	1							
7	4	129900-77450	BRUSH	2							
8	4	171008-77450	SCREW, CORE SET	4							
9	2	129900-77150	COVER	1							
10	2	129900-77160	HOLDER ASSY, BRUSH	1							
11	3	X2130631300	SPRING, BRUSH	4							
12	3	129900-77450	BRUSH	2							
13	2	129900-77170	CLUTCH ASSY	1							
14	3	129900-77180	CLUTCH ASSY	1							
15	4	129900-77190	BEARING, BALL	1							
16	4	X2114955020	BEARING, BALL	1							
17	3	129900-77270	SHAFT, PINION	1							
18	3	171008-77670	STOPPER SET, PINION	1							
22	2	129900-77280	SWITCH ASSY, MAGNET	1							
23	2	129900-77290	CASE, GEAR	1							
24	2	129900-77380	RETAINER, BEARING	1							
25	2	129900-77390	LEVER ASSY, SHIFT	1							
26	2	129900-77420	COVER KIT, DUST	1							
27	2	129900-77430	SCREW, M4X10	2							
28	2	129685-77640	BOLT, THROUGH	2							
29	2	171008-77750	COVER, TERMINAL	1							
30	1	26116-120302	BOLT, M12X 30 PLATED	2							

OCV10-M92600 4TNV94L-NWI
 Fig.15. GENERATOR



OCV10-M92600 Fig.15

(A)=4TNV94L-NWI
 (B)=
 (C)=

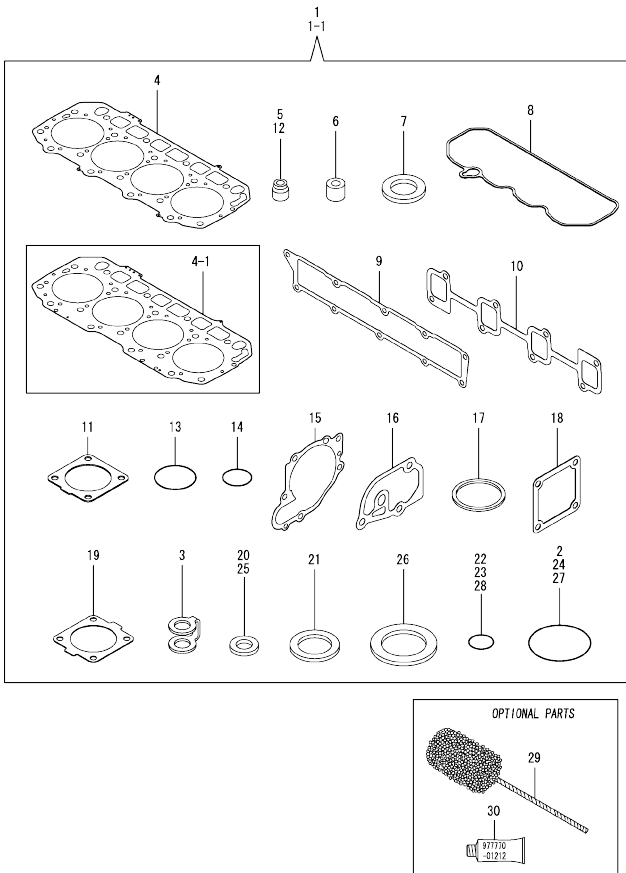
(D)=
 (E)=
 (F)=

No.	Lev.	Parts No.	Description	Qty						I	R
				(A)	(B)	(C)	(D)	(E)	(F)		
1	1	129900-77330	ADJUSTER, BELT	1							
2	1	129423-77200	GENERATOR ASSY, 40A	1							
3	2	X9490561001	NUT	1							
4	2	119620-77380	ROTOR ASSY	1							
5	3	119620-79240	BEARING, BALL	1							
6	3	119620-79250	COVER, BEARING	1							
7	3	119620-79360	WASHER, THRUST	1							
8	2	119620-77421	FRAME ASSY, GENERATOR	1							
9	3	119620-79200	BEARING, BALL	1							
10	3	119620-79210	RETAINER	1							
11	3	119620-79220	SCREW	4							
12	3	119620-79230	BOLT, STUD	2							
13	2	119620-77440	FRAME ASSY	1							
14	2	129240-79300	COVER	1							
15	2	119620-77461	PULLEY, GENERATOR	1							
16	2	119620-77471	NUT	1							
17	2	129423-77710	REGULATOR ASSY	1							
18	2	119620-79260	HOLDER	1							
19	2	119620-79270	HOLDER, BRUSH	1							
20	3	119620-77480	BRUSH	2							
21	3	119620-79280	SPRING	2							
22	2	119620-79290	SCREW	1							
23	2	119620-79300	SCREW	1							
24	2	119620-79310	BOLT	3							
25	2	119620-79320	SCREW	2							
26	2	119620-79330	BOLT	2							
27	2	119620-79340	BUSH, INSULATION	1							
28	2	119620-79350	NUT	2							
29	2	119620-77490	COLLAR	1							
30	2	119620-79360	WASHER, THRUST	1							
31	1	129795-01900	BOLT, STUD M10X33	1							
32	1	26306-100002	NUT, M10	1							
33	1	26014-080252	BOLT, M8X 25	1							
34	1	119810-77340	BOLT, ADJUST L=30	1							

N:Old $\frac{100}{100}$ New, Q:Old $\frac{100}{100}$ New, R:Old $\frac{100}{100}$ New, S:Old $\frac{100}{100}$ New, W:Add, Z:Discontinued, F:Interchangeable by set, K:Qty Change
 Copyright (C) YANMAR GLOBAL CS CO., LTD. All Rights Reserved.

OCV10-M92600 4TNV94L-NWI
 Fig.16. GASKET SET

OCV10-M92600 Fig.16



(A)=4TNV94L-NWI
 (B)=
 (C)=

(D)=
 (E)=
 (F)=

No.	Lev.	Parts No.	Description	Qty						I	R	
				(A)	(B)	(C)	(D)	(E)	(F)			
1	1	729906-92680	GASKET SET	1							1	
1-1	1	129932-92680	GASKET SET	1							S	1
		(A=2009.12)										
2	2	24341-000240	O-RING, 1AS24.0	1								
3	2	123907-59550	GASKET	5								
4	2	129906-01340	GASKET, HEAD	1								
4-1	2	129906-01350	GASKET, HEAD	1							S	
		(A=2009.12)										
5	2	124160-11340	SEAL, VALVE STEM	8								
6	2	119802-11870	PROTECTOR, NOZZLE	4								
7	2	119625-11880	SEAT, NOZZLE	4								
8	2	129907-11310	GASKET, BONNET	1								
9	2	129907-12110	GASKET, MANIFOLD	1								
10	2	129900-13251	GASKET, EXH.MANIFOLD	1								
11	2	129930-13201	GASKET, SILENCER	1								
12	2	124950-11340	SEAL, VALVE STEM	8								
13	2	129900-32030	O-RING, P20	2								
14	2	129900-32040	O-RING, P14	1								
15	2	129900-42020	GASKET, WATER PUMP	1								
16	2	129900-49870	GASKET, THERMOSTAT	1								
17	2	121850-49550	GASKET, THERMOSTAT	1								
18	2	121850-77021	GASKET, AIR HEATER	1								
19	2	121850-49540	GASKET, THERMOSTAT	1								
20	2	23414-080000	GASKET, 8X1.0	3								
21	2	124465-44950	GASKET, 16	2								
22	2	24311-000070	O-RING, 1AP7.0	1								
23	2	24311-000120	O-RING, 1AP12.0	8								
24	2	24311-000320	O-RING, 1AP32.0	2								
25	2	22190-080002	WASHER, SEAL 6	7								
26	2	22190-220002	WASHER, SEAL 22	1								
27	2	24351-030750	O-RING, 1A3075	1								
28	2	24311-240100	O-RING, 1AP10A	1								
29	1	129400-92450	HONE, FLEX	1								1
30	1	977770-01212	GASKET, LIQUID	1								1

Remarks
 (1) OPTIONAL PART.

N:Old $\frac{100}{100}$ New, Q:Old $\frac{100}{100}$ New, R:Old $\frac{100}{100}$ New, S:Old $\frac{100}{100}$ New, W:Add, Z:Discontinued, F:Interchangeable by set, K:Qty Change
 Copyright (C) YANMAR GLOBAL CS CO., LTD. All Rights Reserved.

Parts No. Index

Parts No.	Fig. No.	Ref. No.
105025-59750	13	7
105582-59150	10	25
114250-53080	12	5
114250-53120	12	9
114250-53130	12	10
114250-53140	12	11
114250-53210	12	12
114250-53400	12	13
119000-35140	9	7
119130-44760	10	31
119131-18320	6	6
119225-52102	13	20
119260-34810	9	2
119305-59120	12	27
119593-11301	4	28
119620-11180	4	16
119620-49290	10	47
119620-77380	15	4
119620-77421	15	8
119620-77440	15	13
119620-77461	15	15
119620-77471	15	16
119620-77480	15	20
119620-77490	15	29
119620-79200	15	9
119620-79210	15	10
119620-79220	15	11
119620-79230	15	12
119620-79240	15	5
119620-79250	15	6
119620-79260	15	18
119620-79270	15	19
119620-79280	15	21
119620-79290	15	22
119620-79300	15	23
119620-79310	15	24
119620-79320	15	25
119620-79330	15	26
119620-79340	15	27
119620-79350	15	28
119620-79360	15	7
		30
119625-11880	4	26
	16	7
119640-01640	3	9
119640-61400	4	62
119802-11870	4	47
	16	6
119802-55700	13	21
119802-55710	13	22

Parts No.	Fig. No.	Ref. No.
119802-55800	13	2
119810-77340	15	34
120130-22301	8	20
120445-44530	10	50
120445-44540	10	51
121023-01550	2	37
121250-44901	10	37
121252-39450	9	16
121450-42450	10	36
121750-59890	13	26
121850-21130	8	10
121850-21290	8	4
121850-21680	8	9
121850-21920	8	5
121850-49540	10	20
	16	19
121850-49550	10	21
	16	17
121850-49810	10	23
121850-77021	5	5
	16	18
122780-59100	12	26
123900-13610	6	4
123900-13630	6	5
123900-25060	7	9
123907-03100	4	55
123907-03110	4	56
123907-03120	4	57
123907-03140	4	58
123907-11280	4	33
123907-11550	4	3
123907-11601	12	25
123907-11820	4	10
123907-11830	4	22
123907-25909	7	15
123907-39500	9	22
123907-59540	13	13
123907-59550	13	14
	16	3
123907-59560	13	18
124160-01751	2	35
	4	50
124160-11340	4	17
	16	5
124160-11360	4	65
124411-01780	3	7
124465-44950	10	38
		39
	16	21
124722-59050	10	43

Parts No.	Fig. No.	Ref. No.
124722-59050	10	46
	13	16
124766-59050	13	5
		9
124950-11340	4	18
	16	12
129001-91810	2	24
		25
129004-55610	13	1
129005-59830	9	24
129100-01580	2	5
	3	1
129100-55690	13	23
129150-02450	7	4
129150-11230	4	36
		40
129150-11750	4	21
		37
		41
129150-14200	7	1
129150-25920	7	13
129150-35153	9	6
129150-59131	12	30
		34
129240-79300	15	14
129400-92450	16	29
129423-77200	15	2
129423-77710	15	17
129457-59010	13	4
129486-59551	13	15
129550-59120	12	31
129685-77640	17	28
129795-01900	15	31
129900-01200	1	31
129900-01250	1	5
129900-01620	3	2
129900-01740	2	6
129900-01780	2	4
129900-02020	1	7
129900-02340	1	34
129900-02410	1	10
129900-02930	1	28
129900-02940	1	37
129900-07900	4	1
129900-13200	6	1
129900-13251	6	3
	16	10
129900-14100	7	6
129900-21200	8	3
129900-21580	8	11

Parts No.	Fig. No.	Ref. No.
129900-21600	8	13
129900-21640	8	8
129900-23000	8	22
129900-23200	8	27
129900-23600	8	28
129900-23610	8	30
129900-23910	8	26
129900-25100	7	10
129900-32001	2	11
129900-32030	2	22
		9
		8
		16
		13
129900-32040	2	23
		16
		14
129900-35000	9	9
129900-42020	10	11
		16
		15
129900-42461	10	14
129900-49870	10	32
		16
		16
129900-77010	14	1
129900-77040	17	1
129900-77120	17	2
129900-77130	17	5
129900-77140	17	6
129900-77150	17	9
129900-77160	17	10
129900-77170	17	13
129900-77180	17	14
129900-77190	17	15
129900-77270	17	17
129900-77280	17	22
129900-77290	17	23
129900-77330	15	1
129900-77380	17	24
129900-77390	17	25
129900-77400	14	2
129900-77420	17	26
129900-77430	17	27
129900-77440	14	5
129900-77450	14	7
		9
		7
		12
129900-77460	14	11
129900-77480	14	8
129900-77510	14	17
129900-77520	14	20
129900-77540	14	18
129900-77550	14	19

Parts No. Index

Parts No.	Fig. No.	Ref. No.
129900-77591	14	12
129900-77610	14	23
129900-77620	14	13
129900-77640	14	15
129900-77650	14	14
129900-77700	14	16
129900-77710	14	24
129902-01710	3	8
129902-21000	8	1
129906-01340	1	32
	16	4
129906-01350	1	32 -1
	16	4 -1
129906-22050	8	16
129906-22080	8	14
129906-22090	8	14 -1
129906-22900	8	32 -1
129906-22910	8	32 -2
129906-53000	12	2
129907-01190	1	33
129907-01950	11	1
129907-01960	11	2
129907-03010	4	52
129907-03060	4	53
129907-03070	4	54
129907-11100	4	25
129907-11110	4	14
129907-11120	4	15
129907-11250	4	30
129907-11260	4	31
129907-11270	4	32
129907-11310	4	61
	16	8
129907-11320	4	51
129907-11341	4	29
129907-11510	4	19
129907-11650	4	34
129907-11660	4	38
129907-11700	4	4
129907-11800	4	9
129907-11910	4	68
129907-11920	4	42
129907-11950	4	48
129907-12100	5	1
129907-12110	5	2
	16	9
129907-14400	7	2
129907-14581	7	3
129907-21660	8	7
129907-39061	9	20

Parts No.	Fig. No.	Ref. No.
129907-42000	10	1
129907-49610	10	40
129907-49620	10	44
129907-49710	10	41
129907-49720	10	45
129907-49730	10	22
129907-49750	10	42
129907-49800	10	18
129907-59140	13	12
129907-59710	12	35
129907-59810	12	37
129907-59820	12	38
129907-59830	12	39
129907-59840	12	40
129908-14581	7	3 -1
129915-77050	5	6
129916-22950	8	34 -1
129916-44740	10	16
129916-49530	10	19
129930-13201	6	8
	16	11
129932-92680	16	1 -1
129944-01500	2	8
129950-59221	13	10
129951-34801	9	1
129951-34812	9	3
129953-25300	7	16
129957-59120	13	6
129980-59510	13	11
129981-59010	13	8
158563-51150	7	17
171008-77410	17	3
171008-77420	17	4
171008-77450	14	6
	17	8
171008-77670	17	18
171008-77730	14	21
171008-77740	14	22
171008-77750	14	25
	17	29
171051-01921	1	6
22190-080002	9	17
		19
		25
	13	19
	16	25
22190-220002	3	11
	16	26
22217-180000	7	18
22252-000300	8	21

Parts No.	Fig. No.	Ref. No.
22351-060012	1	11
22512-070140	7	7
	8	6
22857-500100	4	63
		64
23387-040800	10	26
23414-080000	10	27
		33
	16	20
23857-030000	9	26
23875-030000	10	28
23876-020000	4	11
23876-030000	1	12
		13
	4	12
	2	26
24311-000070	16	22
	4	27
24311-000120	66	66
	16	23
24311-000160	13	25
24311-000320	2	36
	4	67
	16	24
24311-240100	9	15
	16	28
24321-000650	13	24
24341-000240	2	38
	16	2
24351-030750	2	27
	16	27
25132-004100	10	15
26014-080252	15	33
26106-060122	10	29
26106-060162	2	39
	12	41
26106-060202	10	30
26106-060302	10	12
26106-080122	3	12
	9	4
		14
	18	18
	10	34
26106-080162	2	28
		29
	4	2
	7	8
	9	5
	11	4

Parts No.	Fig. No.	Ref. No.
26106-080182	12	42
26106-080202	2	30
26106-080222	11	5
		6
26106-080302	10	17
	13	3
26106-080352	5	7
26106-080402	2	31
		32
	4	44
26106-080452	2	33
26106-080552	5	3
	7	14
	10	13
26106-080602	4	45
		46
	10	35
26106-080852	5	4
26106-100202	11	7
26116-120302	14	26
	17	30
26206-100352	3	5
26206-100702	3	6
26216-100302	2	10
26226-080222	4	43
26306-080002	4	49
	6	7
26306-100002	2	34
	15	32
26776-180002	7	19
27241-300000	1	15
27241-400000	4	13
27310-070001	4	23
729900-02800	1	25
729906-01560	1	1
729906-22900	8	32
729906-22950	8	34
729906-53100	12	1
729906-92680	16	1
729907-01580	2	1
729962-51310	11	3
977770-01212	2	40
	3	13
	4	76
	16	30
X2114155110	14	3
X2114255110	14	4
X2114955020	17	16
X2130631300	14	10
	17	11