

0CV10-M91600EN

PREFACE

- 1.This Parts Catalog carries all parts incorporated in YANMAR Model 4TNV94L-NLAN engine manufactured since January, 2004.
- 2.Each illustration corresponds to the parts list on the following page.
- 3.When ordering parts,clearly write down the engine model and serial number,as well as the name and number of each part in your order sheet. This will help insure reliable delivery of the parts you have ordered.

Directions for the Parts Catalog.

1. The parts stipulated in this Parts Catalog are not necessarily standard equipped parts.
2. Parts may change without prior notice.
3. The following is an example of the Parts Catalog format.

REF.	LEV.	PARTS NO.	DESCRIPTION	Q'TY						I	R
				(A)	(B)	(C)	(D)	(E)	(F)		
1	1	729595-51390	FUEL INJECTION PUMP	1	1	1	1	1			1
1-1	1	729595-51391	FUEL INJECTION PUMP	1	1	1	1	1		N	1
		(A=E00185) (B=E00200)									
3	2	26022-060162	SCREW M 6X 16	9	9	9	9	9			
3-1	2	26022-060162	SCREW M 6X 16	4	4	4	4	4		K	
		(A=E00156) (B=E00156) (C=E00156) (D=E00156) (E=E00156)									
4	2	129470-51040	CAMSHAFT	1	1	1	1	1			
5	2	122710-51050	BEARING, ROLLER	2	2	2	2	2			
6	2	129470-51060	RETAINER	1	1	1	1	1			

Remarks
(1) BOOST COMPEMSATOR TYPE. OPTIONAL PART, TO E00155,(4JH-DT, 4JH-DTZ

① Ref. No.

The Ref. No. listed may not be in accordance with the illustration Ref. No.

(Ex.) Illustration No.

List Ref No.

1 1 (Before change) → 1-1 (After change)

For interchangeable symbols N, R and K, illustrations for new parts may be abbreviated.

② Lev. (Level)

Level indication

The numbers below indicate the level of relativity towards the main part.

1 ---- Main parts (Assembly parts)

2 ---- Sub component included in " 1 ".

3 ---- Sub component included in " 2 ".

Note) Parts that are not for sale are partially illustrated but not listed.

③ Interchangeability Mark

When a part change takes place, one of the following interchangeability symbols is indicated beside the part.

Symbol	Interchangeability	Contents note
N	Old $\begin{matrix} \leftarrow \text{Yes} \\ \text{No} \rightarrow \end{matrix}$ New	New Part is interchangeable for Old Part but Old Part is not interchangeable for New Part.
Q	Old $\begin{matrix} \leftarrow \text{No} \\ \text{Yes} \rightarrow \end{matrix}$ New	New Part is not interchangeable for Old Part but Old Part is interchangeable for New Part.
R	Old $\begin{matrix} \leftarrow \text{Yes} \\ \text{Yes} \rightarrow \end{matrix}$ New	New/ Old Parts are both interchangeable.
S	Old $\begin{matrix} \leftarrow \text{No} \\ \text{No} \rightarrow \end{matrix}$ New	New/ Old Parts are both not interchangeable.
W		Part newly added.
Z		Part discontinued.
F		Not interchangeable by a single part but interchangeable together with related parts.
K		Changes only for used parts quantities.

④ Effective Machine No.

When a part changes, the effective Machine No. will be indicated in the (A)-(F) column.

Product Symbol	Product No.	Product Symbol	Product No.
C	Clutch No. Compressor No.	F	Machine No. (Agricultural Equip.)
D	Drive No.	M	Machine No.
E	Engine No.		

Note 1) A date may follow the symbol. (Ex.) 1996.01

Note 2) "XXXXX" and "ZZZZZ" are for parts that could not be predicted or for engine models that could not be identified.

Note 3) (A=E00185) is the E (Engine Serial Number) for the column (A) model (in this case 4JH-DT) after the parts design change.

⑤ Remarks Mark

Figures or alphabets (symbols) are entered in the remarks column.

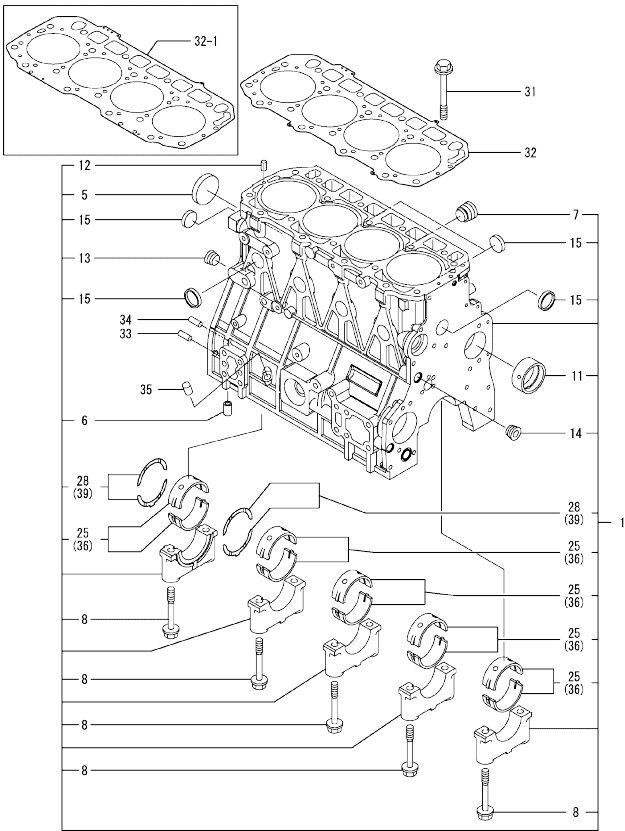
The comments (remarks) on parts that are indicated at the bottom of the illustration are the same symbols as those stated above.

Contents

0CV10-M91600

Fig. No.	Fig. Name	Fig. No.	Fig. Name
4	TNV94L-NLAN		
1.	CYLINDER BLOCK		
2.	GEAR HOUSING		
3.	FLYWHEEL HOUSING & OIL SUMP		
4.	CYLINDER HEAD & BONNET		
5.	SUCTION & EXHAUST MANIFOLD		
6.	CAMSHAFT & DRIVING GEAR		
7.	CRANKSHAFT & PISTON		
8.	BALANCER		
9.	LUB. OIL SYSTEM		
10.	COOLING WATER SYSTEM		
11.	FUEL INJECTION PUMP		
12.	FUEL INJECTION VALVE		
13.	FUEL LINE		
14.	STARTING MOTOR		
15.	GENERATOR		
16.	GASKET SET		

Fig.1. CYLINDER BLOCK



(A)=4TNV94L-NLAN
(B)=
(C)=

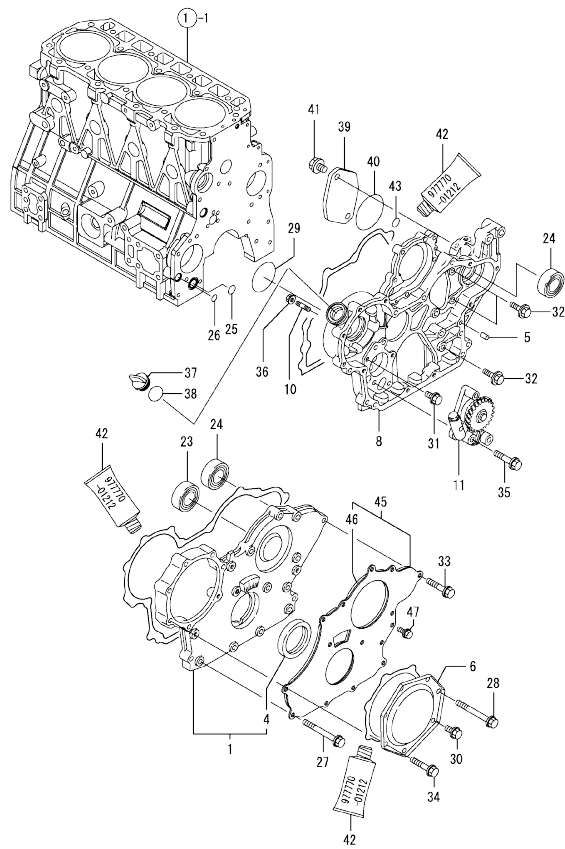
(D)=
(E)=
(F)=

No.	Lev.	Parts No.	Description	Q'ty						I	R
				(A)	(B)	(C)	(D)	(E)	(F)		
1	1	729962-01560	BLOCK ASSY, CYLINDER	1							
5	2	129900-01250	PLUG, 55	1							
6	2	129956-01710	PIPE, KNOCK L=25	1							
7	2	171051-01921	PLUG, NPTF1	1							
8	2	129900-02020	BOLT, METAL CAP	10							
11	2	129900-02410	BUSH, CAMSHAFT	1							
12	2	22351-060012	PIN, SPRING 6.0X12	2							
13	2	23876-030000	PLUG, R03	1							
14	2	23876-030000	PLUG, R03	1							
15	2	27241-300000	PLUG 30	8							
25	2	729900-02800	BEARING, MAIN	5							3
28	2	129900-02930	BEARING, THRUST	2							
31	1	129900-01200	BOLT, HEAD	18							
32	1	129906-01340	GASKET, HEAD	1							
32-1	1	129906-01350	GASKET, HEAD	1							S
(A=2009.12)											
33	1	129100-01580	PIN, M8X16	2							
34	1	129100-01580	PIN, M8X16	2							
35	1	119309-01810	PLUG	1							
36	1	129900-02340	BEARING, 0.25 US	5							1
39	1	129900-02940	BEARING, THRUST 0.25	2							2

Remarks

- (1) UNDER-SIZED(U.S=0.25)PART.
- (2) OVER-SIZED(O.S=0.25)PART.
- (3) REPAIR PART.

Fig.2. GEAR HOUSING



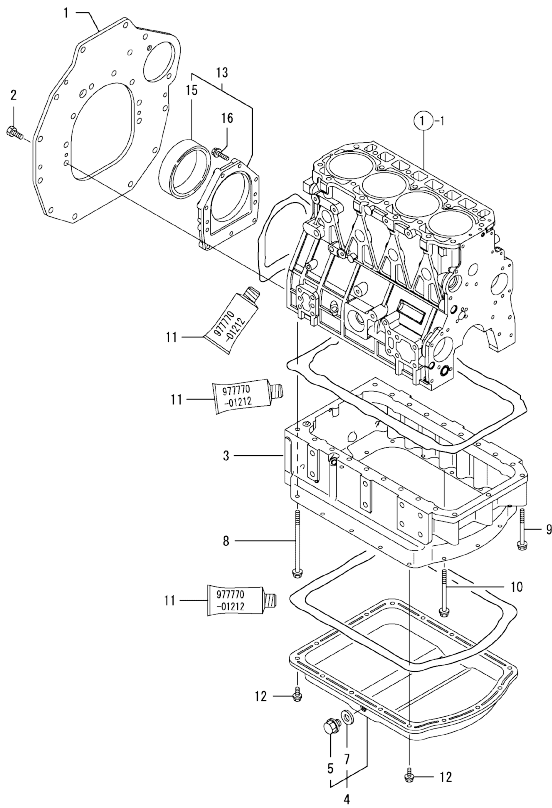
(A)=4TNV94L-NLAN
(B)=
(C)=

(D)=
(E)=
(F)=

No.	Lev.	Parts No.	Description	Qty						I	R
				(A)	(B)	(C)	(D)	(E)	(F)		
1	1	729907-01550	COVER ASSY,GEAR CASE	1							
4	2	129900-01780	SEAL, OIL	1							
5	1	129100-01580	PIN, M8X16	4							
6	1	129900-01740	COVER	1							
8	1	129962-01500	CASE, GEAR	1							
10	1	26216-100302	STUD, M10X 30	4							
11	1	129956-32001	PUMP ASSY, OIL	1							
23	1	129900-14140	BEARING, BALL 6205	1							
24	1	129900-26250	BEARING, BALL 6206C3	2							
25	1	129900-32030	O-RING, P20	1							
26	1	129900-32040	O-RING, P14	1							
27	1	129001-91810	BOLT, M8X70	6							
28	1	129001-91810	BOLT, M8X70	1							
29	1	24351-030750	O-RING, 1A3075	1							
30	1	26106-080162	BOLT, M8X 16 PLATED	1							
31	1	26106-080162	BOLT, M8X 16 PLATED	1							
32	1	26106-080202	BOLT, M8X 20 PLATED	3							
33	1	26106-080402	BOLT, M8X 40 PLATED	5							
34	1	26106-080402	BOLT, M8X 40 PLATED	5							
35	1	26106-080452	BOLT, M8X 45 PLATED	3							
36	1	26306-100002	NUT, M10	4							
37	1	124160-01751	COVER, FILLER	1							
38	1	24311-000320	O-RING, 1AP32.0	1							
39	1	121023-26070	COVER	1							
40	1	24321-000850	O-RING, 1AG85.0	1							
41	1	26106-100202	BOLT, M10X 20 PLATED	2							
42	1	977770-01212	GASKET, LIQUID	1							1
43	1	24311-000070	O-RING, 1AP7.0	1							
45	1	129900-01850	COVER ASSY,GEAR CASE	1							
46	2	129900-01870	SPONGE	1							
47	1	26106-080162	BOLT, M8X 16 PLATED	3							

Remarks
(1) OPTIONAL PART.

Fig.3. FLYWHEEL HOUSING & OIL SUMP



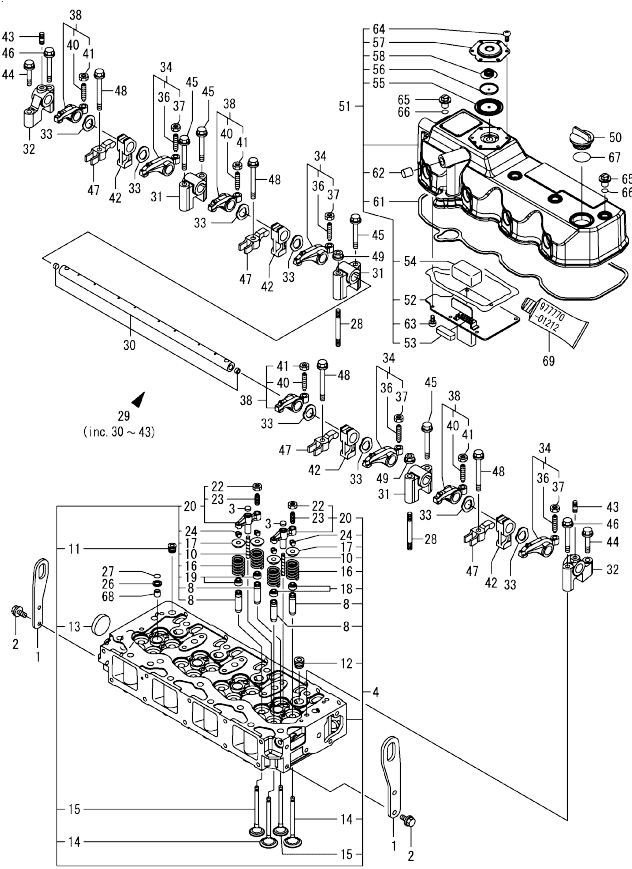
(A)=4TNV94L-NLAN
(B)=
(C)=

(D)=
(E)=
(F)=

No.	Lev.	Parts No.	Description	Q'ty						I	R
				(A)	(B)	(C)	(D)	(E)	(F)		
1	1	129916-01621	HOUSING, FLYWHEEL	1							
2	1	26116-100202	BOLT, M10X 20 PLATED	9							
3	1	129956-01700	SUMP, OIL	1							
4	1	129920-01732	COVER ASSY, OIL SUMP	1							
5	2	105425-01690	PLUG, 16	1							
7	2	22190-160002	WASHER, SEAL 16	1							
8	1	129956-26210	BOLT, M8X150	2							
9	1	129001-91841	BOLT, M8X85	3							
10	1	129001-91870	BOLT, M8X100	16							
11	1	977770-01212	GASKET, LIQUID	1							1
12	1	26106-080122	BOLT, M8X 12 PLATED	16							
13	1	129956-01640	CASE ASSY, OIL SEAL	1							
15	2	124411-01780	SEAL, HTC95X115X12	1							
16	1	26106-080302	BOLT, M8X 30 PLATED	9							

Remarks
(1) OPTIONAL PART.

Fig.4. CYLINDER HEAD & BONNET



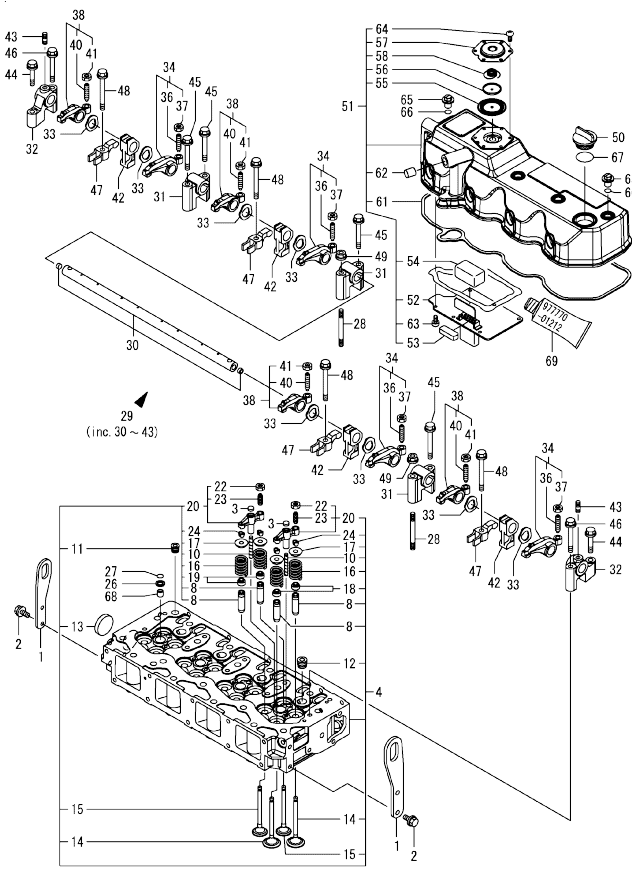
(A)=4TNV94L-NLAN
(B)=
(C)=

(D)=
(E)=
(F)=

No.	Lev.	Parts No.	Description	Q'ty						I	R
				(A)	(B)	(C)	(D)	(E)	(F)		
1	1	129907-07900	LIFTER	2							
2	1	26106-080162	BOLT, M8X 16 PLATED	4							
3	1	123907-11550	SEAT, VALVE BRIDGE	8							
4	1	129907-11700	HEAD ASSY, CYLINDER	1							1
8	2	129907-11800	GUIDE, VALVE	16							
10	2	123907-11820	GUIDE	8							
11	2	23876-020000	PLUG, R02	1							
12	2	23876-030000	PLUG, R03	4							
13	2	27241-400000	PLUG, 40	1							
14	2	129907-11100	VALVE, INTAKE	8							
15	2	129907-11110	VALVE, EXHAUST	8							
16	2	129907-11120	SPRING, VALVE	16							
17	2	119620-11180	RETAINER, SPRING	16							
18	2	124160-11340	SEAL, VALVE STEM	8							
19	2	124950-11340	SEAL, VALVE STEM	8							
20	2	129907-11510	BRIDGE ASSY, VALVE	8							
22	3	129150-11750	NUT, M8	8							
23	3	123907-11830	ADJUSTER	8							
24	2	27310-070001	COTTER, 7	16							
26	1	119625-11880	SEAT, NOZZLE	4							
27	1	24311-000120	O-RING, 1AP12.0	4							
28	1	119593-11301	STUD, M8X80	2							
29	1	129907-11341	SHAFT ASSY, ROCKER	1							
30	2	129907-11250	SHAFT, ROCKER ARM	1							
31	2	129907-11260	SUPPORT, ROCKER ARM	3							
32	2	129907-11270	SUPPORT, ROCKER ARM	2							
33	2	123907-11280	WASHER	8							
34	2	129907-11650	ARM, ROCKER	4							
36	3	129150-11230	SCREW, VALVE ADJUST	4							
37	3	129150-11750	NUT, M8	4							
38	2	129907-11660	ARM, ROCKER	4							
40	3	129150-11230	SCREW, VALVE ADJUST	4							
41	3	129150-11750	NUT, M8	4							
42	2	129907-11920	RETAINER	4							
43	2	26226-080222	STUD, M8X 22	2							
44	1	26106-080402	BOLT, M8X 40 PLATED	2							
45	1	26106-080602	BOLT, M8X 60 PLATED	4							
46	1	26106-080602	BOLT, M8X 60 PLATED	2							
47	1	129907-11910	RETAINER, NOZZLE	4							
48	1	129907-11950	BOLT, M8X75	4							
49	1	26306-080002	NUT, M8	2							
50	1	124160-01751	COVER, FILLER	1							
51	1	129907-11320	BONNET ASSY, HEAD	1							
52	2	129907-03010	PLATE	1							
53	2	129907-03060	BAFFLE, BREATHER	1							
54	2	129907-03070	BAFFLE, BREATHER	1							
55	2	123907-03100	DIAPHRAGM	1							
56	2	123907-03110	PLATE	1							
57	2	123907-03120	PLATE, BREATHER	1							
58	2	123907-03140	SPRING, DIAPHRAGM	1							
61	2	129907-11310	GASKET, BONNET	1							

Remarks
(1) REPAIR PART.
(2) OPTIONAL PART.

Fig.4. CYLINDER HEAD & BONNET



(A)=4TNV94L-NLAN
(B)=
(C)=

(D)=
(E)=
(F)=

No.	Lev.	Parts No.	Description	Q'ty						I	R
				(A)	(B)	(C)	(D)	(E)	(F)		
62	2	119640-61400	PLUG	1							
63	2	22857-500100	SCREW, 5X10	6							
64	2	22857-500100	SCREW, 5X10	6							
65	1	124160-11360	KNOB	4							
66	1	24311-000120	O-RING, 1AP12.0	4							
67	1	24311-000320	O-RING, 1AP32.0	1							
68	1	119802-11870	PROTECTOR, NOZZLE	4							
69	1	977770-01212	GASKET, LIQUID	1							2

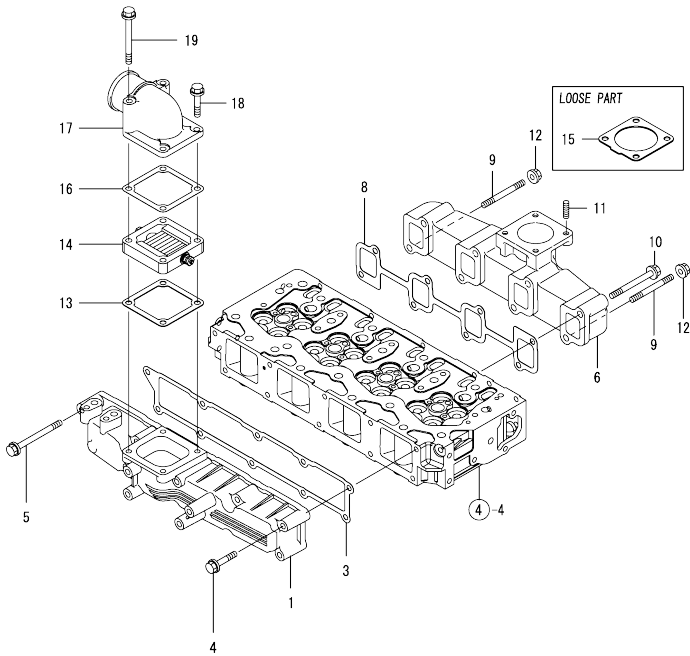
Remarks

- (1) REPAIR PART.
- (2) OPTIONAL PART.

Fig.5. SUCTION & EXHAUST MANIFOLD

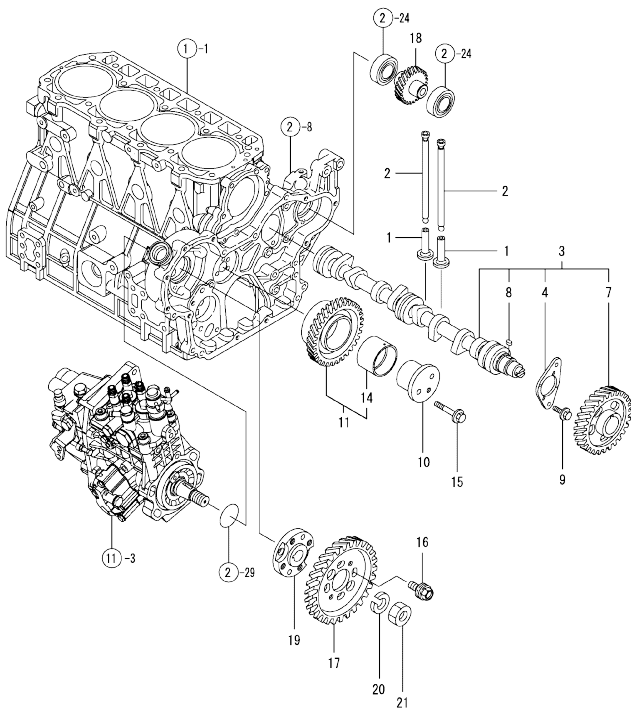
(A)=4TNV94L-NLAN
(B)=
(C)=

(D)=
(E)=
(F)=



No.	Lev.	Parts No.	Description	Q'ty						I	R
				(A)	(B)	(C)	(D)	(E)	(F)		
1	1	129907-12100	MANIFOLD, AIR INTAKE	1							
3	1	129907-12110	GASKET, MANIFOLD	1							
4	1	26106-080552	BOLT, M8X 55 PLATED	9							
5	1	26106-080852	BOLT, M8X 85 PLATED	1							
6	1	129900-13200	MANIFOLD, EXHAUST	1							
8	1	129900-13251	GASKET	1							
9	1	123900-13610	STUD, M8X80	2							
10	1	123900-13630	BOLT, M8X80	6							
11	1	119131-18320	STUD, M8X22	4							
12	1	26306-080002	NUT, M8	2							
13	1	121850-77021	GASKET	1							
14	1	119005-77050	HEATER	1							
15	1	129930-13201	GASKET, SILENCER	1							
16	1	119129-77020	GASKET	1							
17	1	119129-77520	BEND	1							
18	1	26106-080402	BOLT, M8X 40 PLATED	2							
19	1	26106-080902	BOLT, M8X 90 PLATED	2							

Fig.6. CAMSHAFT & DRIVING GEAR



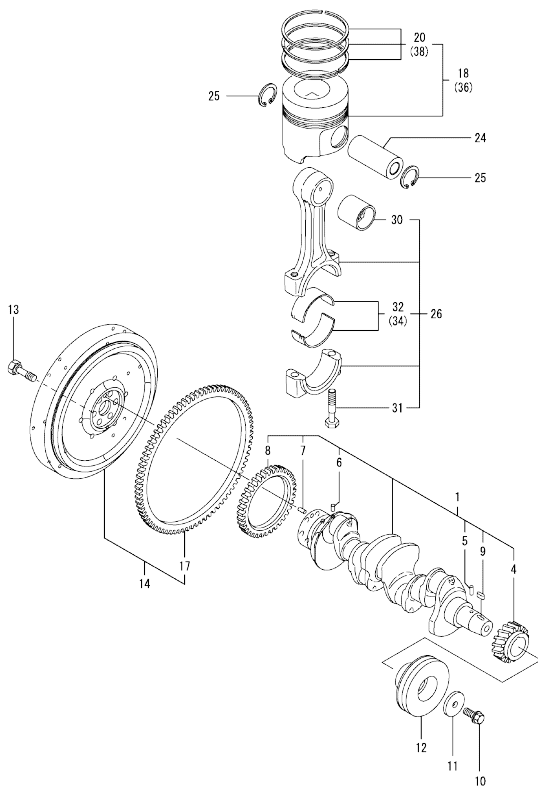
(A)=4TNV94L-NLAN
(B)=
(C)=

(D)=
(E)=
(F)=

No.	Lev.	Parts No.	Description	Q'ty						I	R
				(A)	(B)	(C)	(D)	(E)	(F)		
1	1	129150-14200	TAPPET	8							
2	1	129907-14400	ROD, PUSH	8							
3	1	129907-14581	CAMSHAFT ASSY	1							
3-1	1	129908-14581	CAMSHAFT ASSY	1							N
4	2	129150-02450	BEARING, THRUST	1							
7	2	129900-14100	GEAR, CAMSHAFT	1							
8	2	22512-070140	KEY, 7X 14	1							
9	1	26106-080162	BOLT, M8X 16 PLATED	2							
10	1	123900-25060	SHAFT, IDLE GEAR	1							
11	1	129900-25100	GEAR ASSY, IDLE	1							
14	2	129150-25920	BUSH, IDLE GEAR	1							1
15	1	26106-080552	BOLT, M8X 55 PLATED	3							
16	1	129953-25300	BOLT	4							
17	1	123907-25909	GEAR, PUMP	1							
18	1	129980-26200	GEAR, PUMP	1							
19	1	158563-51150	FLANGE	1							
20	1	22217-180000	WASHER, SPRING 18	1							
21	1	26776-180002	NUT, LOCK M18	1							

Remarks
(1) REPAIR PART.

Fig.7. CRANKSHAFT & PISTON



(A)=4TNV94L-NLAN
(B)=
(C)=

(D)=
(E)=
(F)=

No.	Lev.	Parts No.	Description	Qty						I	R
				(A)	(B)	(C)	(D)	(E)	(F)		
1	1	129956-21000	CRANKSHAFT ASSY	1							
4	2	129900-21200	GEAR, CRANKSHAFT	1							
5	2	121850-21290	PIN	1							
6	2	121850-21290	PIN	1							
7	2	121850-21920	PIN, M10X22	1							
8	2	129956-28321	GEAR, BALANCER	1							
9	2	22512-070140	KEY, 7X 14	1							
10	1	121850-21680	BOLT	1							
11	1	129900-21640	WASHER	1							
12	1	129907-21660	V-PULLEY, 130	1							
13	1	121850-21130	BOLT, FLYWHEEL	6							
14	1	129920-21570	FLYWHEEL ASSY	1							
17	2	129900-21600	GEAR, RING	1							
18	1	129962-22080	PISTON ASSY	4							
18-1	1	129962-22090	PISTON ASSY	4							F 4
(A=2009.12)											
20	2	129906-22050	RING SET, PISTON	4							
24	1	120130-22301	PIN, PISTON	4							
25	1	22252-000300	RING, 30	8							
26	1	129900-23000	ROD ASSY, CONNECTING	4							
30	2	129900-23910	BEARING, PISTON PIN	4							1
31	2	129900-23200	BOLT, CONNECTING ROD	8							
32	2	129900-23600	BEARING, CRANK PIN	4							
34	1	129900-23610	BEARING, 0.25 US	4							2
36	1	729906-22900	PISTON ASSY, 0.25 OS	4							3
36-1	1	129906-22900	PISTON ASSY, 0.25 OS	4							R 3
(A=EXXXXX)											
36-2	1	129906-22910	PISTON ASSY, 0.25 OS	4							F 3
(A=2009.12)											
38	2	729906-22950	RING SET, 0.25 OS	4							3
38-1	2	129916-22950	RING SET, 0.25 OS	4							R 3
(A=EXXXXX)											

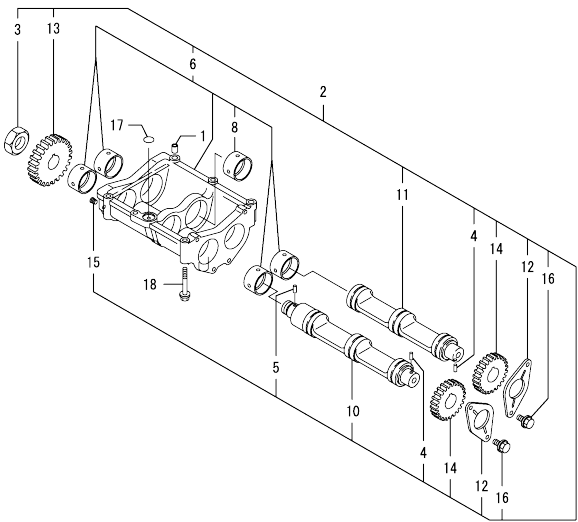
Remarks

- (1) Repair part.
- (2) Under-sized (U.S.=0.25) part.
- (3) Over-sized (O.S.=0.25) part.
- (4) Ref. No. 18 is interchangeable with a set of Ref. No. 18-1 and Fig.1 Ref. No.32-1.

Fig.8. BALANCER

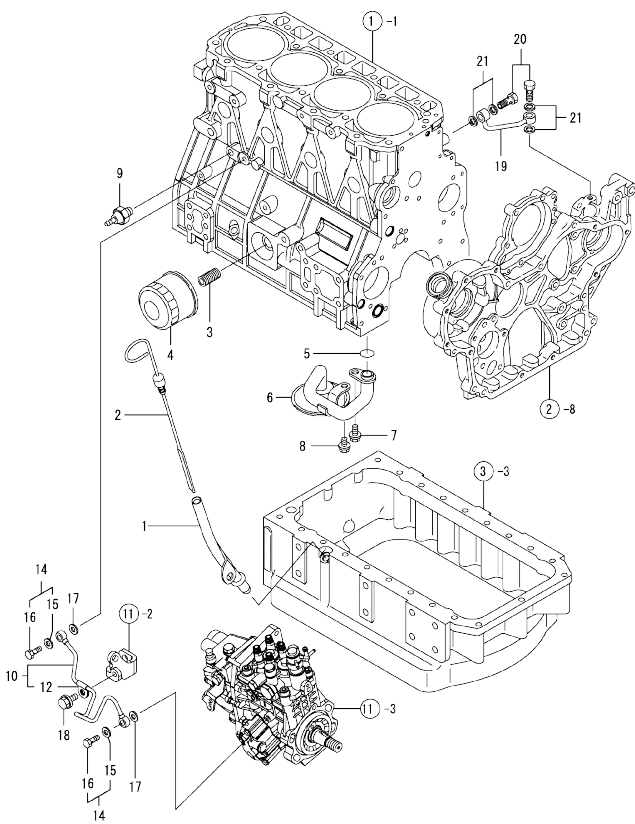
(A)=4TNV94L-NLAN
(B)=
(C)=

(D)=
(E)=
(F)=



No.	Lev.	Parts No.	Description	Q'ty						I	R
				(A)	(B)	(C)	(D)	(E)	(F)		
1	1	129795-01960	PIPE, KNOCK	2							
2	1	129956-28009	BALANCER ASSY	1							
3	2	128610-14120	NUT, END	1							
4	2	121850-21290	PIN	2							
5	2	121850-21290	PIN	1							
6	2	129956-28019	CASE ASSY, BALANCER	1							
8	3	129956-28200	BUSH, BALANCER	2							
10	2	129956-28101	SHAFT, BALANCER	1							
11	2	129956-28111	SHAFT, BALANCER	1							
12	2	129956-28180	PLATE, THRUST	2							
13	2	129956-28332	GEAR, BALANCER	1							
14	2	129956-28341	GEAR, BALANCER	2							
15	2	23876-005000	PLUG, R005	1							
16	2	26106-080162	BOLT, M8X 16 PLATED	4							
17	1	24311-000200	O-RING, 1AP20.0	1							
18	1	26106-080602	BOLT, M8X 60 PLATED	6							

Fig.9. LUB. OIL SYSTEM



(A)=4TNV94L-NLAN
(B)=
(C)=

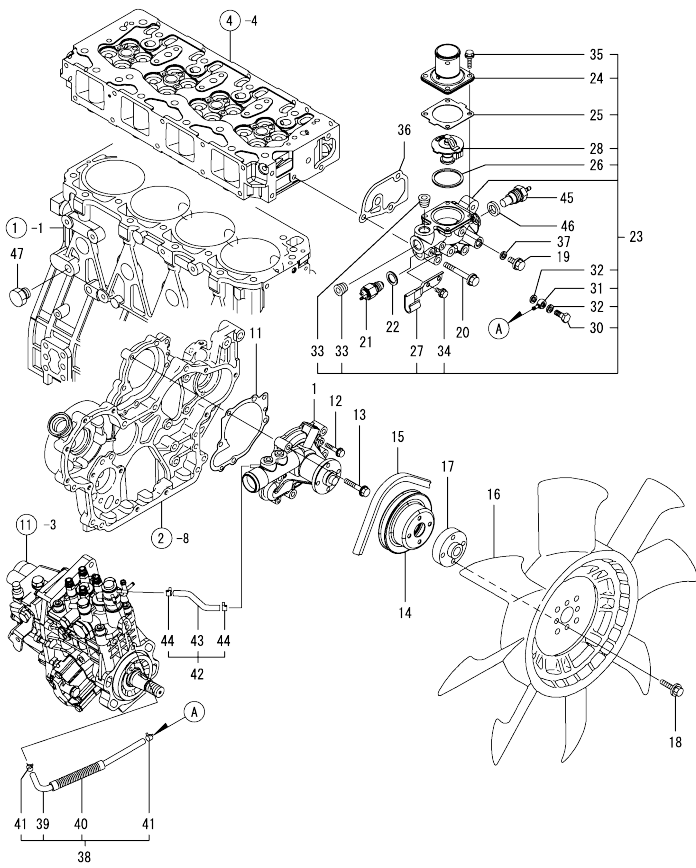
(D)=
(E)=
(F)=

No.	Lev.	Parts No.	Description	Q'ty						I	R
				(A)	(B)	(C)	(D)	(E)	(F)		
1	1	119860-34810	GUIDE, DIPSTICK	1							
2	1	129956-34801	DIPSTICK, OIL	1							
3	1	119000-35140	BOLT, FILTER	1							
4	1	129150-35153	FILTER 80X80L	1							1
5	1	129900-32030	O-RING, P20	1							
6	1	129920-35080	PIPE ASSY, OIL INLET	1							
7	1	26106-080142	BOLT, M8X 14 PLATED	1							
8	1	26106-080202	BOLT, M8X 20 PLATED	1							
9	1	114250-39450	SWITCH, 0.5KG	1							
10	1	129907-39061	PIPE ASSY, OIL	1							
12	2	123907-39500	RETAINER	1							
14	1	129005-59830	BOLT ASSY, JOINT M8	2							
15	2	22190-080002	WASHER, SEAL 6	2							
16	2	23857-030000	BOLT, JOINT 3	2							
17	1	22190-080002	WASHER, SEAL 6	2							
18	1	26106-080122	BOLT, M8X 12 PLATED	1							
19	1	129930-39050	PIPE, OIL	1							
20	1	105010-39140	BOLT, PIPE JOINT	2							
21	1	22190-080002	WASHER, SEAL 6	4							

Remarks
(1) REPAIR PART.

N:Old $\frac{100}{100}$ New, Q:Old $\frac{100}{100}$ New, R:Old $\frac{100}{100}$ New, S:Old $\frac{100}{100}$ New, W:Add, Z:Discontinued, F:Interchangeable by set, K:Qty Change
Copyright (C) YANMAR GLOBAL CS CO., LTD. All Rights Reserved.

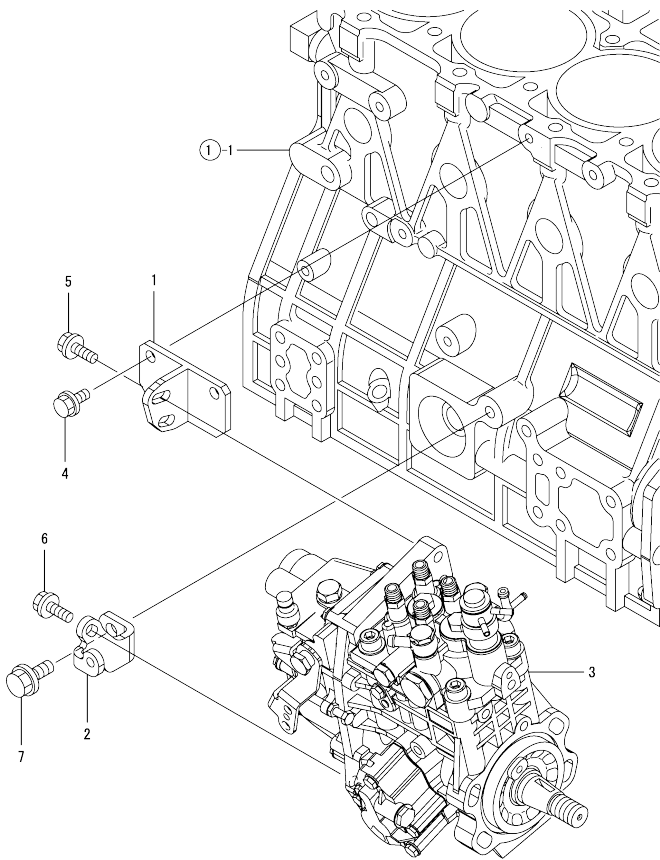
Fig.10. COOLING WATER SYSTEM



No.	Lev.	Parts No.	Description	Q'ty						I	R
				(A)	(B)	(C)	(D)	(E)	(F)		
1	1	129907-42000	PUMP ASSY, WATER	1							
11	1	129900-42020	GASKET, WATER PUMP	1							
12	1	26106-060302	BOLT, M6X 30 PLATED	2							
13	1	26106-080552	BOLT, M8X 55 PLATED	5							
14	1	129900-42461	V-PULLEY	1							
15	1	25132-004100	V-BELT, A41	1							
16	1	119130-44740	FAN, COOLING D=410	1							
17	1	119130-44760	SPACER, FAN	1							
18	1	26106-080302	BOLT, M8X 30 PLATED	4							
19	1	26106-080122	BOLT, M8X 12 PLATED	1							
20	1	26106-080602	BOLT, M8X 60 PLATED	3							
21	1	121250-44901	SWITCH, 110	1							
22	1	124465-44950	GASKET, 16	1							
23	1	129946-49810	CASE ASSY, THERMOSTAT	1							
24	2	129916-49530	COVER, THERMOSTAT	1							
25	2	121850-49540	GASKET, THERMOSTAT	1							
26	2	121850-49550	GASKET, THERMOSTAT	1							
27	2	129907-49730	RETAINER, PIPE	1							
28	2	121850-49800	THERMOSTAT, 82	1							
30	2	105582-59150	BOLT, PIPE JOINT	1							
31	2	23387-040800	JOINT, HOSE 4-8	1							
32	2	23414-080000	GASKET, 8X1.0	2							
33	2	23875-030000	PLUG, R03	2							
34	2	26106-060122	BOLT, M6X 12 PLATED	2							
35	2	26106-060202	BOLT, M6X 20 PLATED	4							
36	1	129900-49870	GASKET	1							
37	1	23414-080000	GASKET, 8X1.0	1							
38	1	129907-49610	HOSE ASSY, WATER	1							
39	2	129907-49710	PIPE ASSY, WATER	1							
40	2	129907-49750	TUBE, CORRUGATED	1							
41	2	124722-59050	CLIP, HOSE 9	2							
42	1	129907-49620	HOSE ASSY, WATER	1							
43	2	129907-49720	PIPE ASSY, WATER	1							
44	2	124722-59050	CLIP, HOSE 9	2							
45	1	124250-49351	SENSOR	1							
46	1	129150-49360	GASKET	1							
47	1	171056-49120	PLUG, DRAIN	1							

N:Old $\frac{New}{Old}$ New, Q:Old $\frac{New}{Old}$ New, R:Old $\frac{New}{Old}$ New, S:Old $\frac{New}{Old}$ New, W:Add, Z:Discontinued, F:Interchangeable by set, K:Q'ty Change
 Copyright (C) YANMAR GLOBAL CS CO., LTD. All Rights Reserved.

Fig.11. FUEL INJECTION PUMP

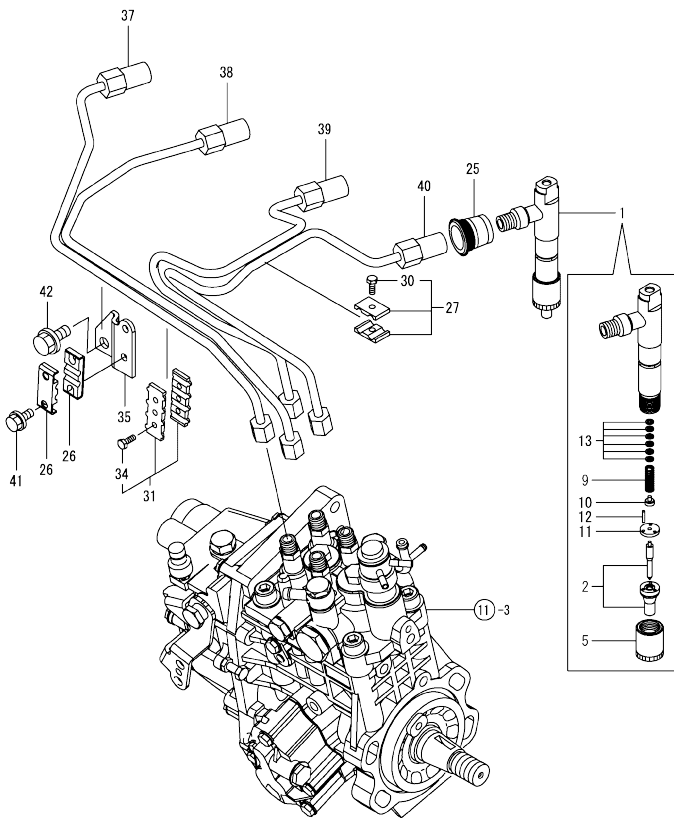


(A)=4TNV94L-NLAN
(B)=
(C)=

(D)=
(E)=
(F)=

No.	Lev.	Parts No.	Description	Q'ty					
				(A)	(B)	(C)	(D)	(E)	(F)
1	1	129907-01950	RETAINER	1					
2	1	129907-01960	RETAINER	1					
3	1	729962-51310	PUMP ASSY, INJECTION	1					
4	1	26106-080162	BOLT, M8X 16 PLATED	2					
5	1	26106-080222	BOLT, M8X 22 PLATED	2					
6	1	26106-080222	BOLT, M8X 22 PLATED	1					
7	1	26106-100202	BOLT, M10X 20 PLATED	1					

Fig.12. FUEL INJECTION VALVE

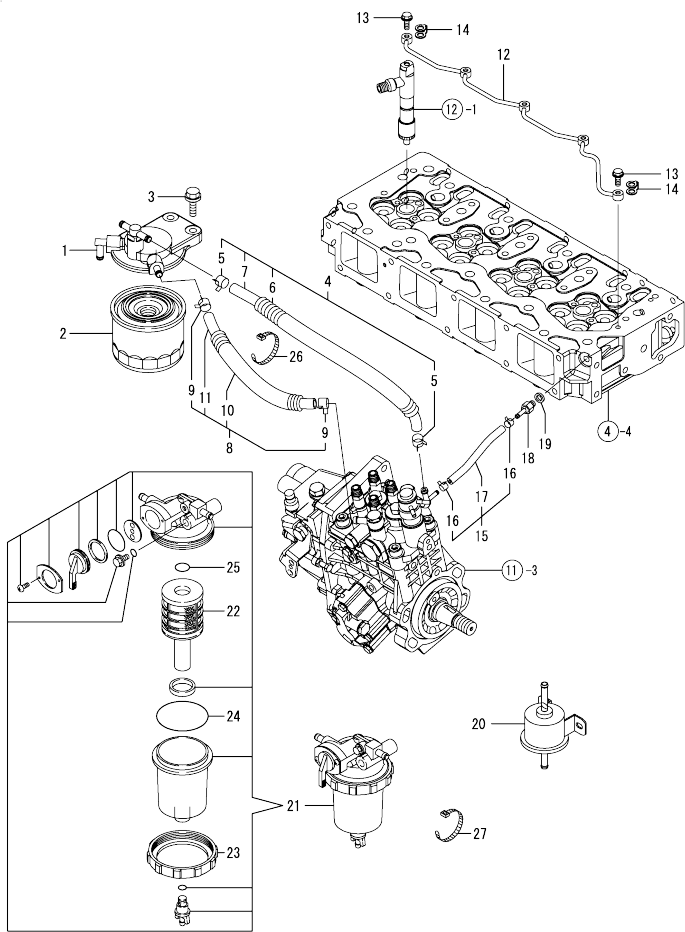


(A)=4TNV94L-NLAN
(B)=
(C)=

(D)=
(E)=
(F)=

No.	Lev.	Parts No.	Description	Q'ty						I	R
				(A)	(B)	(C)	(D)	(E)	(F)		
1	1	729906-53100	VALVE ASSY,INJECTION	4							
2	2	129906-53000	VALVE ASSY,INJECTION	4							
5	2	114250-53080	NUT, NOZZLE D16.95	4							
9	2	114250-53120	SPRING, NOZZLE	4							
10	2	114250-53130	SEAT, SPRING	4							
11	2	114250-53140	PLATE	4							
12	2	114250-53210	PIN	8							
13	2	114250-53400	SHIM SET	4							
25	1	123907-11601	SEAL	4							
26	1	122780-59100	RETAINER	2							
27	1	119305-59120	RETAINER, PIPE	1							
30	2	129150-59131	BOLT, M4X14	1							
31	1	129550-59120	RETAINER, PIPE	1							
34	2	129150-59131	BOLT, M4X14	2							
35	1	129907-59710	SUPPORT	1							
37	1	129907-59810	PIPE ASSY, INJECTION	1							
38	1	129906-59820	PIPE ASSY, INJECTION	1							
39	1	129906-59830	PIPE ASSY, INJECTION	1							
40	1	129906-59840	PIPE ASSY, INJECTION	1							
41	1	26106-060162	BOLT, M6X 16 PLATED	2							
42	1	26106-080182	BOLT, M8X 18 PLATED	1							

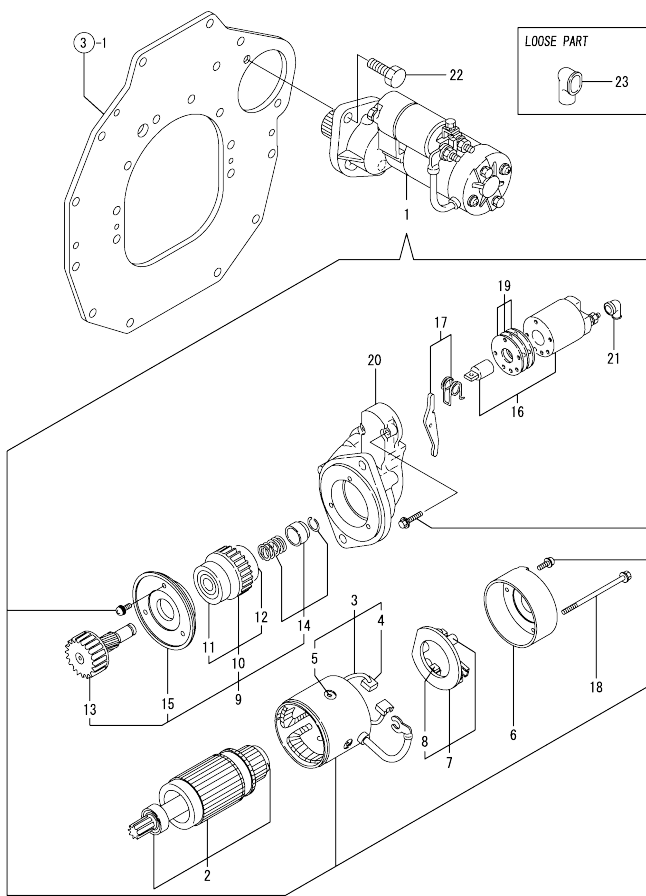
Fig.13. FUEL LINE



No.	Lev.	Parts No.	Description	Qty						I	R
				(A)	(B)	(C)	(D)	(E)	(F)		
1	1	129004-55610	BRACKET, FILTER	1							
2	1	119802-55800	FILTER, FUEL	1							
3	1	26106-080302	BOLT, M8X 30 PLATED	2							
4	1	129457-59010	PIPE ASSY, FUEL	1							
5	2	124766-59050	CLIP, HOSE 12	2							
6	2	129957-59120	TUBE, CORRUGATED	1							
7	2	105025-59750	PIPE, FUEL	1							
8	1	129981-59010	PIPE ASSY, FUEL	1							
9	2	124766-59050	CLIP, HOSE 12	2							
10	2	129950-59221	TUBE, CORRUGATED	1							
11	2	129980-59510	PIPE, FUEL	1							
12	1	129907-59140	PIPE ASSY, RETURN	1							
13	1	123907-59540	BOLT, PIPE JOINT M6	5							
14	1	123907-59550	GASKET	5							
15	1	129486-59551	PIPE ASSY, RETURN	1							
16	2	124722-59050	CLIP, HOSE 9	2							
17	2	129486-59510	PIPE, FUEL RETURN	1							
18	1	123907-59560	JOINT	1							
19	1	22190-080002	WASHER, SEAL 6	1							
20	1	119225-52102	PUMP ASSY, FUEL FEED	1							
21	1	119802-55700	SEPARATOR ASSY	1							
22	2	119802-55710	ELEMENT	1							
23	2	129100-55690	RING, RETAINING	1							
24	2	24321-000650	O-RING, 1AG65.0	1							
25	2	24311-000160	O-RING, 1AP16.0	1							
26	1	121750-59890	BAND, 140	1							
27	1	121750-59890	BAND, 140	1							

N:Old $\frac{100}{100}$ New, Q:Old $\frac{100}{100}$ New, R:Old $\frac{100}{100}$ New, S:Old $\frac{100}{100}$ New, W:Add, Z:Discontinued, F:Interchangeable by set, K:Qty Change
 Copyright (C) YANMAR GLOBAL CS CO., LTD. All Rights Reserved.

Fig.14. STARTING MOTOR

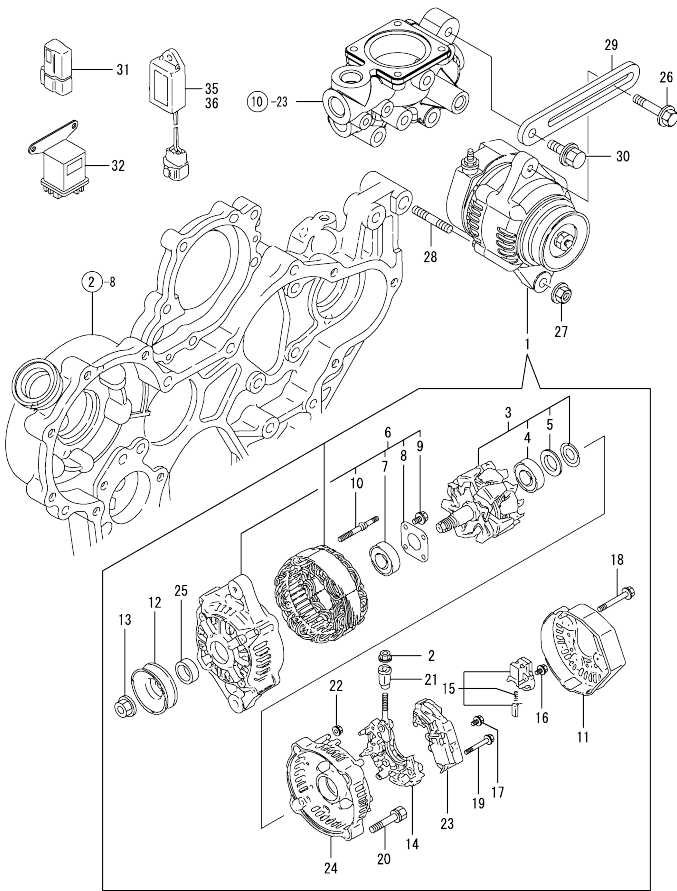


No.	Lev.	Parts No.	Description	Q'ty					
				(A)	(B)	(C)	(D)	(E)	(F)
1	1	129900-77010	STARTER(2.3KW	1					
2	2	129900-77400	ARMATURE ASSY	1					
3	2	129900-77440	COIL ASSY, FIELD	1					
4	3	129900-77450	BRUSH (+)	2					
5	3	171008-77450	SCREW	4					
6	2	129900-77460	COVER, REAR	1					
7	2	129900-77480	HOLDER ASSY, BRASH	1					
8	3	129900-77500	BRASH (-)	2					
9	2	129900-77510	PINION ASSY	1					
10	3	129900-77520	CLUTCH ASSY	1					
11	4	171008-77730	BALL BEARING (3)	1					
12	4	171008-77740	BALL BEARING (4)	1					
13	3	129900-77540	SHAFT, PINION	1					
14	3	129900-77550	STOPPER SET	1					
15	3	129900-77610	RETAINER, BEARING	1					
16	2	129900-77591	SWITCH ASSY,MAGNETIC	1					
17	2	129900-77620	SHIFT LEVER SET	1					
18	2	129900-77640	BOLT, THROUGH	2					
19	2	129900-77650	COVER ASSY, DUST	1					
20	2	129900-77710	HOUSING, GEARS	1					
21	2	171008-77750	COVER, M TERMINAL	1					
22	1	26116-120252	BOLT, M12X 25 PLATED	1					
23	1	124550-77030	COVER, TERMINAL	1					

N:Old $\frac{100}{100}$ New, Q:Old $\frac{100}{100}$ New, R:Old $\frac{100}{100}$ New, S:Old $\frac{100}{100}$ New, W:Add, Z:Discontinued, F:Interchangeable by set, K:Q'ty Change
 Copyright (C) YANMAR GLOBAL CS CO., LTD. All Rights Reserved.

OCV10-M91600 4TNV94L-NLAN
Fig.15. GENERATOR

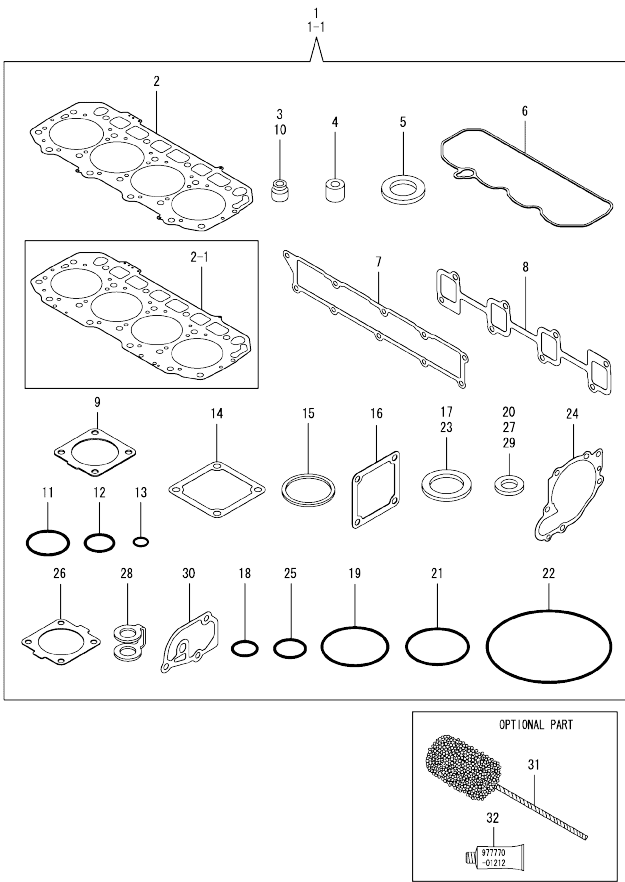
OCV10-M91600 Fig.15



No.	Lev.	Parts No.	Description	Q'ty						I	R
				(A)	(B)	(C)	(D)	(E)	(F)		
1	1	119626-77210	ALTERNATOR, 12V-55A	1							
2	2	X9490561001	NUT	1							
3	2	129052-77380	ROTOR ASSY	1							
4	3	125301-79240	BALL BEARING	1							
5	3	119620-79250	COVER, BEARING	1							
6	2	129052-77422	FRAME ASSY	1							
7	3	119620-79200	BALL BEARING	1							
8	3	119620-79210	PLATE	1							
9	3	119620-79220	SCREW	4							
10	3	119620-79230	BOLT, STUD	2							
11	2	128401-77440	FRAME	1							
12	2	119620-77461	PULLEY	1							
13	2	119620-77471	NUT	1							
14	2	129052-79260	HOLDER	1							
15	2	129052-79270	HOLDER, BRUSH	1							
16	2	119620-79290	SCREW	6							
17	2	119620-79300	SCREW	1							
18	2	119620-79310	BOLT	3							
19	2	119620-79320	SCREW WWASHER	2							
20	2	119620-79330	BOLT	2							
21	2	119620-79340	INSULATION BUSH	1							
22	2	119620-79350	NUT	2							
23	2	129423-77710	REGULATOR ASSY	1							
24	2	119626-79410	COVER	1							
24-1	2	119626-77450	COVER, END, RR	1							N
(A=FROM 1ST)											
25	2	119620-77490	COLLAR	1							
26	1	119810-77340	BOLT, ADJUSTER	1							
27	1	26306-100002	NUT, M10	1							
28	1	129795-01900	STUD	1							
29	1	129900-77330	ADJUSTER	1							
30	1	26106-080202	BOLT, M8X 20 PLATED	1							
31	1	119643-66900	DIODE	1							
32	1	119650-77910	RELAY ASSY, GLOW	1							
35	1	129211-77920	TIMER	1							
36	1	128300-77920	TIMER	1							

N:Old $\frac{100}{100}$ New, Q:Old $\frac{100}{100}$ New, R:Old $\frac{100}{100}$ New, S:Old $\frac{100}{100}$ New, W:Add, Z:Discontinued, F:Interchangeable by set, K:Q'ty Change
 Copyright (C) YANMAR GLOBAL CS CO., LTD. All Rights Reserved.

Fig.16. GASKET SET



(A)=4TNV94L-NLAN
(B)=
(C)=

(D)=
(E)=
(F)=

No.	Lev.	Parts No.	Description	Qty						I	R	
				(A)	(B)	(C)	(D)	(E)	(F)			
1	1	729906-92670	GASKET SET	1							1	
1-1	1	129962-92620	GASKET SET	1							S	1
		(A=2009.12)										
2	2	129906-01340	GASKET, HEAD	1								
2-1	2	129906-01350	GASKET, HEAD	1							S	
		(A=2009.12)										
3	2	124160-11340	SEAL, VALVE STEM	8								
4	2	119802-11870	PROTECTOR, NOZZLE	4								
5	2	119625-11880	SEAT, NOZZLE	4								
6	2	129907-11310	GASKET, BONNET	1								
7	2	129907-12110	GASKET, MANIFOLD	1								
8	2	129900-13251	GASKET	1								
9	2	129930-13201	GASKET, SILENCER	1								
10	2	124950-11340	SEAL, VALVE STEM	8								
11	2	129900-32030	O-RING, P20	2								
12	2	129900-32040	O-RING, P14	1								
13	2	24311-000070	O-RING, 1AP7.0	1								
14	2	119129-77020	GASKET	1								
15	2	121850-49550	GASKET, THERMOSTAT	1								
16	2	121850-77021	GASKET	1								
17	2	124465-44950	GASKET, 16	1								
18	2	24311-000120	O-RING, 1AP12.0	8								
19	2	24311-000320	O-RING, 1AP32.0	2								
20	2	22190-080002	WASHER, SEAL 6	9								
21	2	24351-030750	O-RING, 1A3075	1								
22	2	24321-000850	O-RING, 1AG85.0	1								
23	2	22190-160002	WASHER, SEAL 16	1								
24	2	129900-42020	GASKET, WATER PUMP	1								
25	2	24311-000200	O-RING, 1AP20.0	1								
26	2	121850-49540	GASKET, THERMOSTAT	1								
27	2	129150-49360	GASKET	1								
28	2	123907-59550	GASKET	5								
29	2	23414-080000	GASKET, 8X1.0	3								
30	2	129900-49870	GASKET	1								
31	1	129400-92440	HONE	1								1
32	1	977770-01212	GASKET, LIQUID	1								1

Remarks
(1) OPTIONAL PART.

Parts No. Index

Parts No.	Fig. No.	Ref. No.	Parts No.	Fig. No.	Ref. No.	Parts No.	Fig. No.	Ref. No.	Parts No.	Fig. No.	Ref. No.
105010-39140	9	20	119802-55710	13	22	124465-44950	16	17	129900-01250	1	5
105025-59750	13	7	119802-55800	13	2	124550-77030	14	23	129900-01740	2	6
105425-01690	3	5	119810-77340	15	26	124722-59050	10	41	129900-01780	2	4
105582-59150	10	30	119860-34810	9	1			44	129900-01850	2	45
114250-39450	9	9	120130-22301	7	24		13	16	129900-01870	2	46
114250-53080	12	5	121023-26070	2	39	124766-59050	13	5	129900-02020	1	8
114250-53120	12	9	121250-44901	10	21			9	129900-02340	1	36
114250-53130	12	10	121750-59890	13	26	124950-11340	4	19	129900-02410	1	11
114250-53140	12	11			27		16	10	129900-02930	1	28
114250-53210	12	12	121850-21130	7	13	125301-79240	15	4	129900-02940	1	39
114250-53400	12	13	121850-21290	7	5	128300-77920	15	36	129900-13200	5	6
119000-35140	9	3			6	128401-77440	15	11	129900-13251	5	8
119005-77050	5	14			8	128610-14120	8	3		16	8
119129-77020	5	16			5	129001-91810	2	27	129900-14100	6	7
	16	14	121850-21680	7	10			28	129900-14140	2	23
119129-77520	5	17	121850-21920	7	7	129001-91841	3	9	129900-21200	7	4
119130-44740	10	16	121850-49540	10	25	129001-91870	3	10	129900-21600	7	17
119130-44760	10	17			26	129004-55610	13	1	129900-21640	7	11
119131-18320	5	11	121850-49550	10	26	129005-59830	9	14	129900-23000	7	26
119225-52102	13	20			15	129052-77380	15	3	129900-23200	7	31
119305-59120	12	27	121850-49800	10	28	129052-77422	15	6	129900-23600	7	32
119309-01810	1	35	121850-77021	5	13	129052-79260	15	14	129900-23610	7	34
119593-11301	4	28			16	129052-79270	15	15	129900-23910	7	30
119620-11180	4	17	122780-59100	12	26	129100-01580	1	33	129900-25100	6	11
119620-77461	15	12	123900-13610	5	9			34	129900-26250	2	24
119620-77471	15	13	123900-13630	5	10			5	129900-32030	2	25
119620-77490	15	25	123900-25060	6	10	129100-55690	13	23		9	5
119620-79200	15	7	123907-03100	4	55	129150-02450	6	4		16	11
119620-79210	15	8	123907-03110	4	56	129150-11230	4	36	129900-32040	2	26
119620-79220	15	9	123907-03120	4	57			40		16	12
119620-79230	15	10	123907-03140	4	58	129150-11750	4	22	129900-42020	10	11
119620-79250	15	5	123907-11280	4	33			37		16	24
119620-79290	15	16	123907-11550	4	3			41	129900-42461	10	14
119620-79300	15	17	123907-11601	12	25	129150-14200	6	1	129900-49870	10	36
119620-79310	15	18	123907-11820	4	10	129150-25920	6	14		16	30
119620-79320	15	19	123907-11830	4	23	129150-35153	9	4	129900-77010	14	1
119620-79330	15	20	123907-25909	6	17	129150-49360	10	46	129900-77330	15	29
119620-79340	15	21	123907-39500	9	12			27	129900-77400	14	2
119620-79350	15	22	123907-59540	13	13	129150-59131	12	30	129900-77440	14	3
119625-11880	4	26	123907-59550	13	14			34	129900-77450	14	4
	16	5			28	129211-77920	15	35	129900-77460	14	6
119626-77210	15	1	123907-59560	13	18	129400-92440	16	31	129900-77480	14	7
119626-77450	15	24	124160-01751	2	37	129423-77710	15	23	129900-77500	14	8
119626-79410	15	24			50	129457-59010	13	4	129900-77510	14	9
119640-61400	4	62	124160-11340	4	18	129486-59510	13	17	129900-77520	14	10
119643-66900	15	31			3	129486-59551	13	15	129900-77540	14	13
119650-77910	15	32	124160-11360	4	65	129550-59120	12	31	129900-77550	14	14
119802-11870	4	68	124250-49351	10	45	129795-01900	15	28	129900-77591	14	16
	16	4	124411-01780	3	15	129795-01960	8	1	129900-77610	14	15
119802-55700	13	21	124465-44950	10	22	129900-01200	1	31	129900-77620	14	17

Parts No. Index

Parts No.	Fig. No.	Ref. No.
129900-77640	14	18
129900-77650	14	19
129900-77710	14	20
129906-01340	1	32
	16	2
129906-01350	1	32 -1
	16	2 -1
129906-22050	7	20
129906-22900	7	36 -1
129906-22910	7	36 -2
129906-53000	12	2
129906-59820	12	38
129906-59830	12	39
129906-59840	12	40
129907-01950	11	1
129907-01960	11	2
129907-03010	4	52
129907-03060	4	53
129907-03070	4	54
129907-07900	4	1
129907-11100	4	14
129907-11110	4	15
129907-11120	4	16
129907-11250	4	30
129907-11260	4	31
129907-11270	4	32
129907-11310	4	61
	16	6
129907-11320	4	51
129907-11341	4	29
129907-11510	4	20
129907-11650	4	34
129907-11660	4	38
129907-11700	4	4
129907-11800	4	8
129907-11910	4	47
129907-11920	4	42
129907-11950	4	48
129907-12100	5	1
129907-12110	5	3
	16	7
129907-14400	6	2
129907-14581	6	3
129907-21660	7	12
129907-39061	9	10
129907-42000	10	1
129907-49610	10	38
129907-49620	10	42
129907-49710	10	39
129907-49720	10	43

Parts No.	Fig. No.	Ref. No.
129907-49730	10	27
129907-49750	10	40
129907-59140	13	12
129907-59710	12	35
129907-59810	12	37
129908-14581	6	3 -1
129916-01621	3	1
129916-22950	7	38 -1
129916-49530	10	24
129920-01732	3	4
129920-21570	7	14
129920-35080	9	6
129930-13201	5	15
	16	9
129930-39050	9	19
129946-49810	10	23
129950-59221	13	10
129953-25300	6	16
129956-01640	3	13
129956-01700	3	3
129956-01710	1	6
129956-21000	7	1
129956-26210	3	8
129956-28009	8	2
129956-28019	8	6
129956-28101	8	10
129956-28111	8	11
129956-28180	8	12
129956-28200	8	8
129956-28321	7	8
129956-28332	8	13
129956-28341	8	14
129956-32001	2	11
129956-34801	9	2
129957-59120	13	6
129962-01500	2	8
129962-22080	7	18
129962-22090	7	18 -1
129962-92620	16	1 -1
129980-26200	6	18
129980-59510	13	11
129981-59010	13	8
158563-51150	6	19
171008-77450	14	5
171008-77730	14	11
171008-77740	14	12
171008-77750	14	21
171051-01921	1	7
171056-49120	10	47
22190-080002	9	15

Parts No.	Fig. No.	Ref. No.
22190-080002	9	17
		21
	13	19
	16	20
22190-160002	3	7
	16	23
22217-180000	6	20
22252-000300	7	25
22351-060012	1	12
22512-070140	6	8
	7	9
22857-500100	4	63
		64
23387-040800	10	31
23414-080000	10	32
		37
	16	29
23857-030000	9	16
23875-030000	10	33
23876-005000	8	15
23876-020000	4	11
23876-030000	1	13
		14
	4	12
24311-000070	2	43
	16	13
24311-000120	4	27
		66
	16	18
24311-000160	13	25
24311-000200	8	17
	16	25
24311-000320	2	38
	4	67
	16	19
24321-000650	13	24
24321-000850	2	40
	16	22
24351-030750	2	29
	16	21
25132-004100	10	15
26106-060122	10	34
26106-060162	12	41
26106-060202	10	35
26106-060302	10	12
26106-080122	3	12
	9	18
	10	19
26106-080142	9	7
26106-080162	2	30

Parts No.	Fig. No.	Ref. No.
26106-080162	2	31
		47
	4	2
	6	9
	8	16
	11	4
26106-080182	12	42
26106-080202	2	32
	9	8
	15	30
26106-080222	11	5
		6
26106-080302	3	16
	10	18
	13	3
26106-080402	2	33
		34
	4	44
	5	18
26106-080452	2	35
26106-080552	5	4
	6	15
	10	13
26106-080602	4	45
		46
	8	18
	10	20
26106-080852	5	5
26106-080902	5	19
26106-100202	2	41
	11	7
26116-100202	3	2
26116-120252	14	22
26216-100302	2	10
26226-080222	4	43
26306-080002	4	49
	5	12
26306-100002	2	36
	15	27
26776-180002	6	21
27241-300000	1	15
27241-400000	4	13
27310-070001	4	24
729900-02800	1	25
729906-22900	7	36
729906-22950	7	38
729906-53100	12	1
729906-92670	16	1
729907-01550	2	1
729962-01560	1	1

Parts No. Index

Parts No.	Fig. No.	Ref. No.
729962-51310	11	3
977770-01212	2	42
	3	11
	4	69
	16	32
X9490561001	15	2

Parts No.	Fig. No.	Ref. No.
-----------	----------	----------

Parts No.	Fig. No.	Ref. No.
-----------	----------	----------

Parts No.	Fig. No.	Ref. No.
-----------	----------	----------