

0CW10-M07200EN

PREFACE

1. This Parts Catalog carries all parts incorporated in YANMAR Model 4TNV94L-NHZ engine manufactured since October, 2005.
2. Each illustration corresponds to the parts list on the following page.
3. When ordering parts, clearly write down the engine model and serial number, as well as the name and number of each part in your order sheet. This will help insure reliable delivery of the parts you have ordered.

Directions for the Parts Catalog.

- The parts stipulated in this Parts Catalog are not necessarily standard equipped parts.
- Parts may change without prior notice.
- The following is an example of the Parts Catalog format.

REF.	LEV.	PARTS NO.	DESCRIPTION	Q'TY						I	R
				(A)	(B)	(C)	(D)	(E)	(F)		
1	1	729595-51390	FUEL INJECTION PUMP	1	1	1	1	1			1
1-1	1	729595-51391	FUEL INJECTION PUMP	1	1	1	1	1		N	1
		(A=E00185) (B=E00200)									
3	2	26022-060162	SCREW M 6X 16	9	9	9	9	9			
3-1	2	26022-060162	SCREW M 6X 16	4	4	4	4	4		K	
		(A=E00156) (B=E00156) (C=E00156) (D=E00156) (E=E00156)									
4	2	129470-51040	CAMSHAFT	1	1	1	1	1			
5	2	122710-51050	BEARING, ROLLER	2	2	2	2	2			
6	2	129470-51060	RETAINER	1	1	1	1	1			

Remarks
(1) BOOST COMPEMSATOR TYPE. OPTIONAL PART, TO E00155,(4JH-DT, 4JH-DTZ

① Ref. No.

The Ref. No. listed may not be in accordance with the illustration Ref. No.

(Ex.) Illustration No.

List Ref No.

1 1 (Before change) → 1-1 (After change)

For interchangeable symbols N, R and K, illustrations for new parts may be abbreviated.

② Lev. (Level)

Level indication

The numbers below indicate the level of relativity towards the main part.

1 ---- Main parts (Assembly parts)

2 ---- Sub component included in " 1 ".

3 ---- Sub component included in " 2 ".

Note) Parts that are not for sale are partially illustrated but not listed.

③ Interchangeability Mark

When a part change takes place, one of the following interchangeability symbols is indicated beside the part.

Symbol	Interchangeability	Contents note
N	Old $\begin{matrix} \leftarrow \text{Yes} \\ \text{No} \rightarrow \end{matrix}$ New	New Part is interchangeable for Old Part but Old Part is not interchangeable for New Part.
Q	Old $\begin{matrix} \leftarrow \text{No} \\ \text{Yes} \rightarrow \end{matrix}$ New	New Part is not interchangeable for Old Part but Old Part is interchangeable for New Part.
R	Old $\begin{matrix} \leftarrow \text{Yes} \\ \text{Yes} \rightarrow \end{matrix}$ New	New/ Old Parts are both interchangeable.
S	Old $\begin{matrix} \leftarrow \text{No} \\ \text{No} \rightarrow \end{matrix}$ New	New/ Old Parts are both not interchangeable.
W		Part newly added.
Z		Part discontinued.
F		Not interchangeable by a single part but interchangeable together with related parts.
K		Changes only for used parts quantities.

④ Effective Machine No.

When a part changes, the effective Machine No. will be indicated in the (A)-(F) column.

Product Symbol	Product No.	Product Symbol	Product No.
C	Clutch No. Compressor No.	F	Machine No. (Agricultural Equip.)
D	Drive No.	M	Machine No.
E	Engine No.		

Note 1) A date may follow the symbol. (Ex.) 1996.01

Note 2) "XXXXX" and "ZZZZZ" are for parts that could not be predicted or for engine models that could not be identified.

Note 3) (A=E00185) is the E (Engine Serial Number) for the column (A) model (in this case 4JH-DT) after the parts design change.

⑤ Remarks Mark

Figures or alphabets (symbols) are entered in the remarks column.

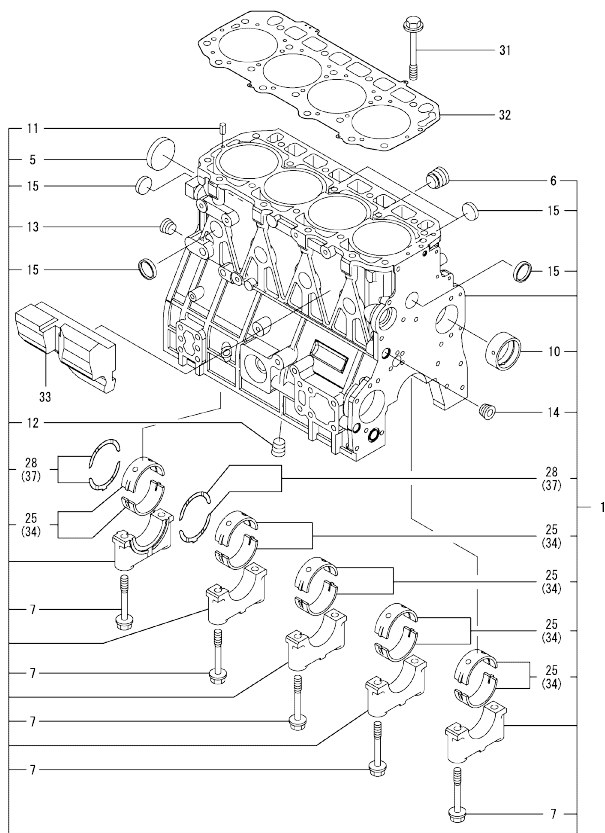
The comments (remarks) on parts that are indicated at the bottom of the illustration are the same symbols as those stated above.

Contents

0CW10-M07200

Fig. No.	Fig. Name	Fig. No.	Fig. Name
4TNV94L-NHZ			
1.	CYLINDER BLOCK		
2.	GEAR HOUSING		
3.	FLYWHEEL HOUSING & OIL SUMP		
4.	CYLINDER HEAD & BONNET		
5.	SUCTION & EXHAUST MANIFOLD		
6.	CAMSHAFT & DRIVING GEAR		
7.	CRANKSHAFT & PISTON		
8.	LUB.OIL SYSTEM		
9.	COOLING WATER SYSTEM		
10.	FUEL INJECTION PUMP		
11.	GOVERNOR		
12.	FUEL INJECTION VALVE		
13.	FUEL LINE		
14.	STARTING MOTOR		
15.	GENERATOR		
16.	GASKET SET		

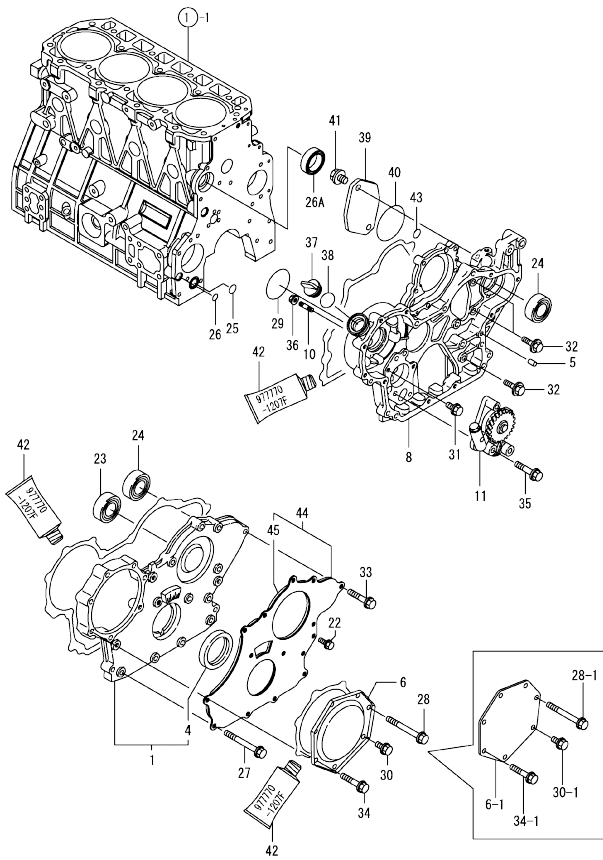
Fig.1. CYLINDER BLOCK



No.	Lev.	Parts No.	Description	Q'ty						I	R
				(A)	(B)	(C)	(D)	(E)	(F)		
1	1	729906-01560	BLOCK ASSY, CYLINDER	1							
5	2	129900-01250	PLUG, DISH TYPE 55	1							
6	2	171051-01921	PLUG, NPTF1	1							
7	2	129900-02020	BOLT, METAL CAP	10							
10	2	129900-02410	BUSH, CAMSHAFT	1							
11	2	22351-060012	PIN, SPRING 6.0X12	2							
12	2	23876-030000	PLUG, R03	1							
13	2	23876-030000	PLUG, R03	1							
14	2	23876-030000	PLUG, R03	1							
15	2	27241-300000	PLUG 30	8							
25	2	729900-02800	BEARING, MAIN	5							3
28	2	129900-02930	BEARING ASSY, THRUST	2							
31	1	129900-01200	BOLT, CYLINDER HEAD	18							
32	1	129906-01340	GASKET, HEAD	1							
32-1	1	129907-01331	GASKET, HEAD	1							N
32-2	1	(A=2009.09) 129906-01350	GASKET, HEAD	1							N
33	1	(A=2009.12) 129907-01190	SPACER	1							
34	1	129900-02340	BEARING ASSY, MAIN	5							1
37	1	129900-02940	BEARING, THRUST 0.25	2							2

Remarks
 (1) UNDER-SIZED(U.S=0.25)PART.
 (2) OVER-SIZED(O.S=0.25)PART.
 (3) REPAIR PART.

Fig.2. GEAR HOUSING



(A)=4TNV94L-NHZ
(B)=
(C)=

(D)=
(E)=
(F)=

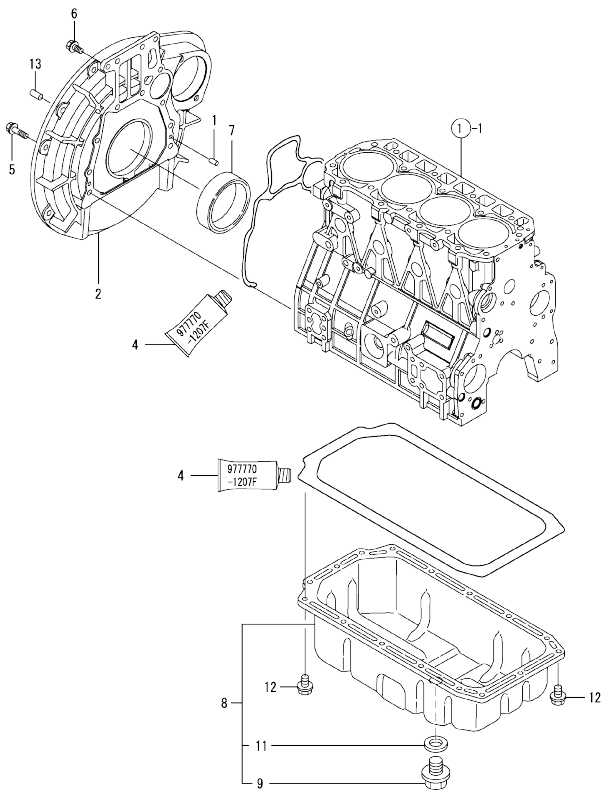
No.	Lev.	Parts No.	Description	Qty						I	R
				(A)	(B)	(C)	(D)	(E)	(F)		
1	1	729907-01550	COVER ASSY,GEAR CASE	1							
4	2	129900-01780	SEAL, OIL	1							
5	1	129100-01580	PIN, PARALLEL 8X16	4							
6	1	129900-01740	COVER	1							
6-1	1	129951-01740	COVER	1							N
(A=EXXXXX)											
8	1	129962-01500	CASE, GEAR	1							
10	1	26216-100302	STUD, M10X 30	4							
11	1	129900-32001	PUMP ASSY, OIL	1							
22	1	26106-080162	BOLT, M8X 16 PLATED	3							
23	1	129900-14140	BEARING, BALL 6205	1							
24	1	129900-26250	BEARING, BALL 6206C3	2							
25	1	129900-32030	O-RING, P20	1							
26	1	129900-32040	O-RING, P14	1							
26A	1	129927-42140	GASKET, PUMP OUTLET	1							W
(A=*2014.09)											
27	1	129001-91810	BOLT, M8X70	6							
28	1	129001-91810	BOLT, M8X70	1							
28-1	1	26106-080702	BOLT, M8X 70 PLATED	1							R
(A=EXXXXX)											
28-2	1	26106-080752	BOLT, M8X 75 PLATED	1							N
(A=EXXXXX)											
29	1	24351-030750	O-RING, 1A3075	1							
30	1	26106-080162	BOLT, M8X 16 PLATED	1							
30-1	1	26106-080202	BOLT, M8X 20 PLATED	1							N
(A=EXXXXX)											
31	1	26106-080162	BOLT, M8X 16 PLATED	1							
32	1	26106-080202	BOLT, M8X 20 PLATED	3							
33	1	26106-080402	BOLT, M8X 40 PLATED	5							
34	1	26106-080402	BOLT, M8X 40 PLATED	5							
34-1	1	26106-080452	BOLT, M8X 45 PLATED	5							N
(A=EXXXXX)											
35	1	26106-080452	BOLT, M8X 45 PLATED	3							
36	1	26306-100002	NUT, M10	4							
37	1	124160-01751	CAP, FILLER	1							
38	1	24311-000320	O-RING, 1AP32.0	1							
39	1	121023-26070	COVER, PUMP	1							
40	1	24321-000850	O-RING, 1AG85.0	1							
41	1	26106-100202	BOLT, M10X 20 PLATED	2							
42	1	977770-1207F	GASKET, LIQUID	1							1
43	1	24311-000070	O-RING, 1AP7.0	1							
44	1	129900-01850	COVER ASSY,GEAR CASE	1							
45	2	129900-01870	SPONGE, GEAR CASE	1							

Remarks
(1) OPTIONAL PART.

Fig.3. FLYWHEEL HOUSING & OIL SUMP

(A)=4TNV94L-NHZ
(B)=
(C)=

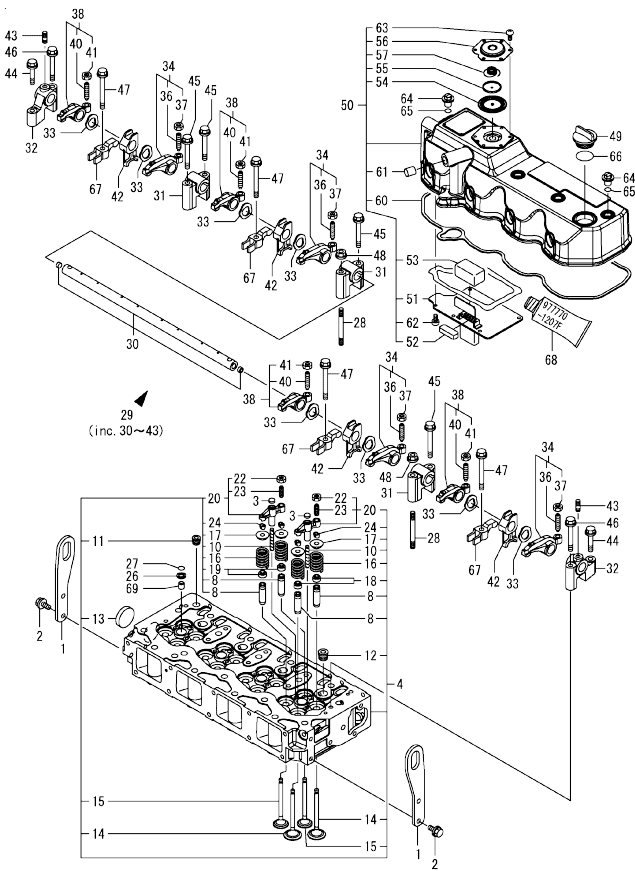
(D)=
(E)=
(F)=



No.	Lev.	Parts No.	Description	Q'ty						I	R
				(A)	(B)	(C)	(D)	(E)	(F)		
1	1	129100-01580	PIN, PARALLEL 8X16	2							
2	1	129906-01610	HOUSING, FLYWHEEL	1							
4	1	977770-1207F	GASKET,LIQUID	1							1
5	1	26206-100352	BOLT, M10X 35 PLATED	9							
6	1	26206-100202	BOLT, M10X 20 PLATED	4							
7	1	129916-01790	SEAL, D115/95XT11	1							
8	1	129930-01710	OIL PAN ASSY	1							
9	2	119640-01640	PLUG, DRAIN M22	1							
11	2	22190-220002	WASHER, SEAL 22	1							
12	1	26106-080122	BOLT, M8X 12 PLATED	16							
13	1	22312-120200	PIN, PARALLEL M12X20	2							

Remarks
(1) OPTIONAL PART.

Fig.4. CYLINDER HEAD & BONNET



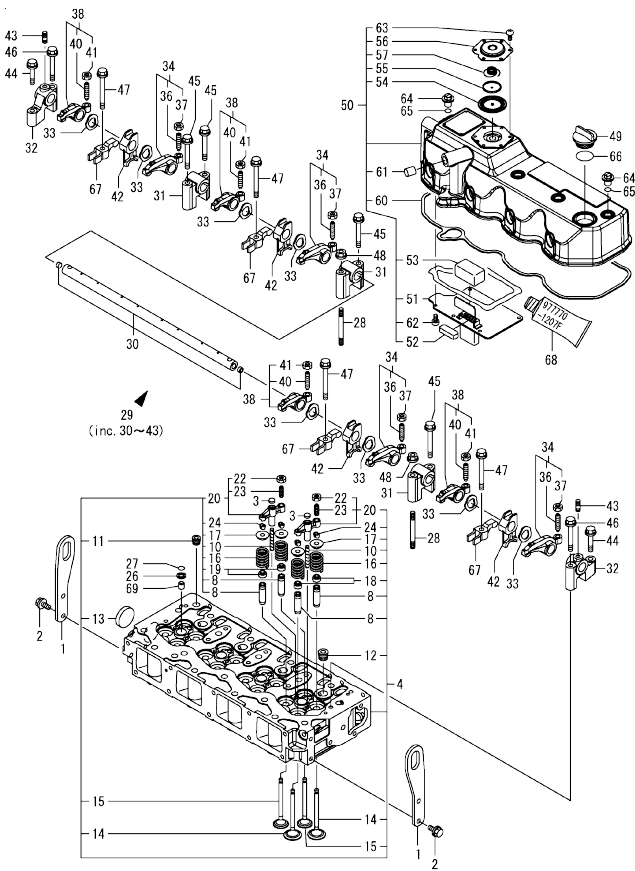
(A)=4TNV94L-NHZ
(B)=
(C)=

(D)=
(E)=
(F)=

No.	Lev.	Parts No.	Description	Q'ty						I	R
				(A)	(B)	(C)	(D)	(E)	(F)		
1	1	129907-07900	LIFTER, ENGINE	2							
2	1	26106-080162	BOLT, M8X 16 PLATED	4							
3	1	123907-11550	SEAT, VALVE BRIDGE	8							
4	1	129907-11700	HEAD ASSY, CYLINDER	1							2
8	2	129907-11800	GUIDE, VALVE	16							
10	2	123907-11820	GUIDE, BRIDGE	8							
11	2	23876-020000	PLUG, R02	1							
12	2	23876-030000	PLUG, R03	4							
13	2	27241-400000	PLUG, 40	1							
14	2	129907-11100	VALVE, SUCTION	8							
15	2	129907-11110	VALVE, EXHAUST	8							
16	2	129907-11120	SPRING, VALVE	16							
17	2	119620-11180	RETAINER, SPRING	16							
18	2	124160-11340	SEAL, VALVE STEM	8							
19	2	124950-11340	SEAL, VALVE STEM	8							
20	2	129907-11510	BRIDGE ASSY, VALVE	8							
22	3	129150-11750	NUT, M8	8							
23	3	123907-11830	ADJUSTER	8							
24	2	27310-070001	COTTER, 7	16							
26	1	119625-11880	SEAT, NOZZLE	4							
27	1	24311-000120	O-RING, 1AP12.0	4							
28	1	119593-11301	BOLT, STUD M8X80	2							
29	1	129907-11341	SHAFT ASSY, ROCKER	1							
30	2	129907-11250	SHAFT, ROCKER ARM	1							
31	2	129907-11260	SUPPORT, ROCKER ARM	3							
32	2	129907-11270	SUPPORT, ROCKER ARM	2							
33	2	123907-11280	WASHER	8							
34	2	129907-11650	ARM ASSY, ROCKER	4							
36	3	129150-11230	SCREW, VALVE ADJUST	4							
37	3	129150-11750	NUT, M8	4							
38	2	129907-11660	ARM ASSY, ROCKER	4							
40	3	129150-11230	SCREW, VALVE ADJUST	4							
41	3	129150-11750	NUT, M8	4							
42	2	129907-11920	RETAINER, NOZZLE	4							
43	2	26226-080222	STUD, M8X 22	2							
44	1	26106-080402	BOLT, M8X 40 PLATED	2							
45	1	26106-080602	BOLT, M8X 60 PLATED	4							
46	1	26106-080602	BOLT, M8X 60 PLATED	2							
47	1	129907-11950	BOLT, M8X75	4							
48	1	26306-080002	NUT, M8	2							
49	1	124160-01751	CAP, FILLER	1							
50	1	129907-11320	BONNET ASSY, HEAD	1							
51	2	129907-03011	PLATE, BAFFLE	1							
52	2	129907-03061	BAFFLE, BREATHER	1							
53	2	129907-03070	BAFFLE, BREATHER	1							
54	2	123907-03100	DIAPHRAGM	1							
55	2	123907-03110	PLATE	1							
56	2	123907-03120	PLATE, BREATHER	1							
57	2	123907-03140	SPRING, DIAPHRAGM	1							
60	2	129907-11310	GASKET, BONNET	1							
61	2	119640-61400	PLUG	1							

Remarks
(1) OPTIONAL PART.
(2) REPAIR PART.

Fig.4. CYLINDER HEAD & BONNET



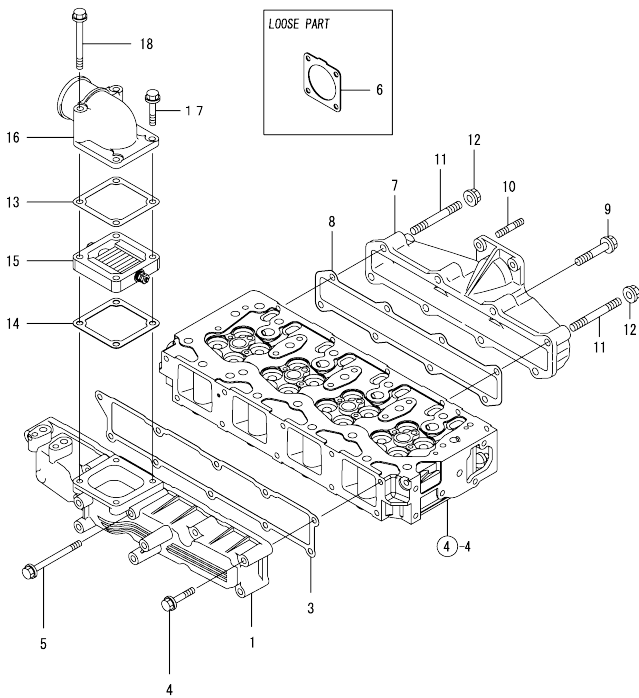
(A)=4TNV94L-NHZ
(B)=
(C)=

(D)=
(E)=
(F)=

No.	Lev.	Parts No.	Description	Q'ty						I	R
				(A)	(B)	(C)	(D)	(E)	(F)		
62	2	22857-500100	SCREW, 5X10	6							
63	2	22857-500100	SCREW, 5X10	6							
64	1	124160-11360	KNOB	4							
65	1	24311-000120	O-RING, 1AP12.0	4							
66	1	24311-000320	O-RING, 1AP32.0	1							
67	1	129907-11910	RETAINER, NOZZLE	4							
68	1	97770-1207F	GASKET, LIQUID	1							1
69	1	119802-11870	PROTECTOR, NOZZLE	4							

Remarks
(1) OPTIONAL PART.
(2) REPAIR PART.

Fig.5. SUCTION & EXHAUST MANIFOLD

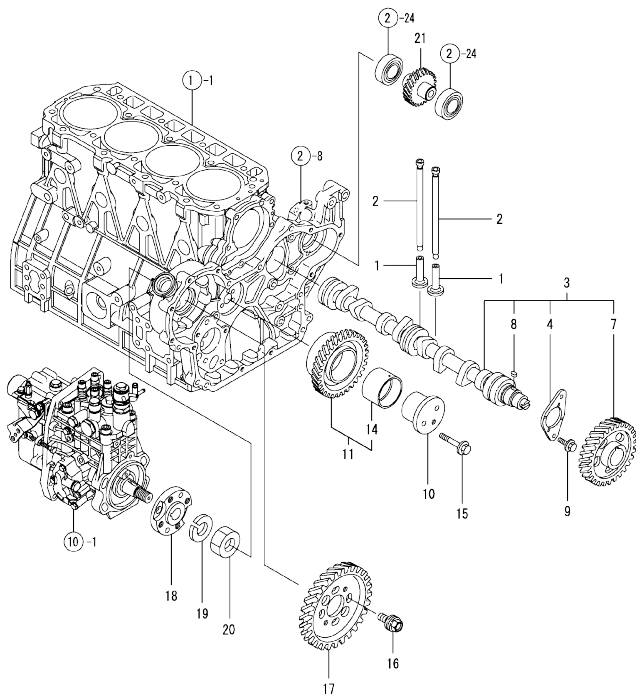


(A)=4TNV94L-NHZ
(B)=
(C)=

(D)=
(E)=
(F)=

No.	Lev.	Parts No.	Description	Q'ty						I	R
				(A)	(B)	(C)	(D)	(E)	(F)		
1	1	129907-12100	MANIFOLD, AIR INTAKE	1							
3	1	129907-12110	GASKET, MANIFOLD	1							
4	1	26106-080552	BOLT, M8X 55 PLATED	9							
5	1	26106-080852	BOLT, M8X 85 PLATED	1							
6	1	129930-13201	GASKET, SILENCER	1							
7	1	129900-13120	MANIFOLD, EXHAUST	1							
8	1	129900-13150	GASKET, EXH.MANIFOLD	1							
9	1	119802-13610	BOLT, M8X45	6							
10	1	119131-18320	BOLT, STUD M8X22	4							
11	1	119802-13720	BOLT, STUD M8X45	2							
12	1	26306-080002	NUT, M8	2							
13	1	119129-77020	GASKET	1							
14	1	121850-77021	GASKET, AIR HEATER	1							
15	1	119005-77050	HEATER, AIR	1							
16	1	119129-77520	BEND	1							
17	1	26106-080402	BOLT, M8X 40 PLATED	2							
18	1	26106-080902	BOLT, M8X 90 PLATED	2							

Fig.6. CAMSHAFT & DRIVING GEAR



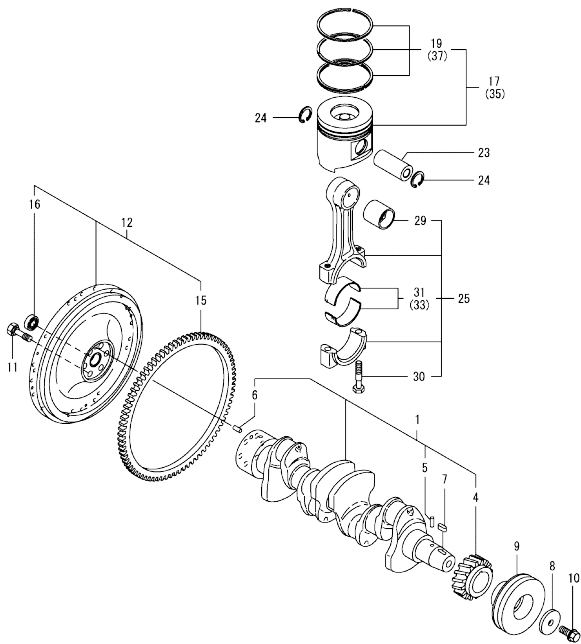
(A)=4TNV94L-NHZ
(B)=
(C)=

(D)=
(E)=
(F)=

No.	Lev.	Parts No.	Description	Q'ty						I	R
				(A)	(B)	(C)	(D)	(E)	(F)		
1	1	129150-14200	TAPPET	8							
2	1	129907-14400	PUSH-ROD	8							
3	1	129907-14590	CAMSHAFT ASSY	1							
4	2	129150-02450	BEARING, THRUST	1							
7	2	129900-14110	GEAR, CAMSHAFT	1							
8	2	22512-070140	KEY, 7X 14	1							
9	1	26106-080162	BOLT, M8X 16 PLATED	2							
10	1	123900-25060	SHAFT, IDLE GEAR	1							
11	1	129900-25110	GEAR ASSY, IDLE	1							
14	2	129150-25920	BUSH, IDLE GEAR	1							1
15	1	26106-080552	BOLT, M8X 55 PLATED	3							
16	1	129953-25300	BOLT	4							
17	1	129907-25900	GEAR, PUMP	1							
18	1	158563-51150	FLANGE	1							
19	1	22217-180000	WASHER, SPRING 18	1							
20	1	26776-180002	NUT, LOCK M18	1							
21	1	129900-26020	GEAR ASSY, PUMP	1							

Remarks
(1) REPAIR PART.

Fig.7. CRANKSHAFT & PISTON



(A)=4TNV94L-NHZ
(B)=
(C)=

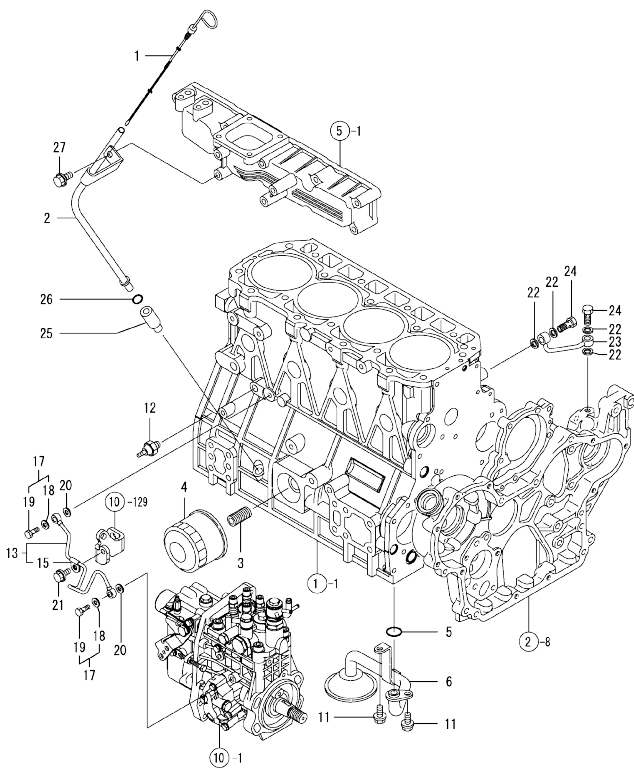
(D)=
(E)=
(F)=

No.	Lev.	Parts No.	Description	Qty						I	R
				(A)	(B)	(C)	(D)	(E)	(F)		
1	1	129902-21050	CRANKSHAFT ASSY	1							
4	2	129900-21220	GEAR, CRANKSHAFT	1							
5	2	121850-21290	PIN	1							
6	2	121850-21920	PIN, PARALLEL 10X22	1							
7	1	22512-070140	KEY, 7X 14	1							
8	1	129900-21640	WASHER	1							
9	1	129907-21660	V-PULLEY, CRANK 130	1							
10	1	121850-21680	BOLT	1							
11	1	121850-21130	BOLT, FLYWHEEL	6							
12	1	129906-21520	FLYWHEEL ASSY	1							
15	2	129900-21600	GEAR, RING	1							
16	2	129930-21690	BEARING, BALL 6202	1							
17	1	129906-22080	PISTON ASSY	4							
17-1	1	129906-22090	PISTON ASSY	4							F 4
(A=2009.12)											
19	2	129906-22050	RING SET, PISTON	4							
23	1	120130-22301	PIN, PISTON	4							
24	1	22252-000300	RING, 30	8							
25	1	129900-23001	ROD ASSY, CONNECTING	4							
29	2	129900-23911	BEARING, PISTON PIN	4							1
30	2	129900-23200	BOLT, CONNECTING ROD	8							
31	2	129900-23600	BEARING, CRANK PIN	4							
33	1	129900-23610	BEARING ASSY, 0.25US	4							2
35	1	729906-22900	PISTON ASSY, 0.25 OS	4							3
35-1	1	129906-22900	PISTON ASSY, 0.25 OS	4							R 3
(A=EXXXXX)											
35-2	1	129906-22910	PISTON ASSY, 0.25 OS	4							F 3
(A=2009.12)											
37	2	729906-22950	RING SET, 0.25 OS	4							3
37-1	2	129916-22950	RING SET, 0.25 OS	4							R 3
(A=EXXXXX)											

Remarks

- (1) Repair part.
- (2) Under-sized (U.S.=0.25) part.
- (3) Over-sized (O.S.=0.25) part.
- (4) Ref. No.17 is interchangeable with a set of Ref. No.17-1 and Fig.1 Ref. No.32-2.

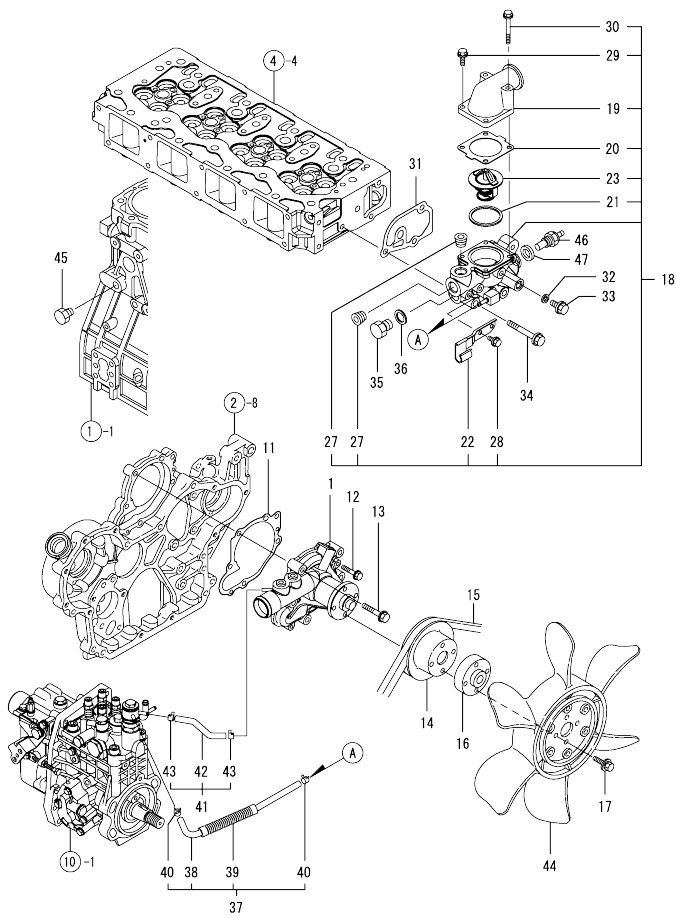
Fig.8. LUB.OIL SYSTEM



No.	Lev.	Parts No.	Description	Q'ty						I	R
				(A)	(B)	(C)	(D)	(E)	(F)		
1	1	129906-34820	DIPSTICK	1							
2	1	129951-34820	GUIDE, DIPSTICK	1							
3	1	119000-35140	BOLT, STUD FILTER	1							
4	1	129150-35153	FILTER ASSY, D80X80L	1							1
5	1	129900-32030	O-RING, P20	1							
6	1	129930-35000	PIPE ASSY, OIL INLET	1							
11	1	26106-080122	BOLT, M8X 12 PLATED	2							
12	1	114250-39450	SWITCH, HYDRAULIC	1							
13	1	129907-39061	PIPE ASSY, OIL	1							
15	2	123907-39500	RETAINER, PIPE	1							
17	1	129005-59830	BOLT ASSY, JOINT M8	2							
18	2	22190-080002	WASHER, SEAL 6	2							
19	2	23857-030000	BOLT, JOINT 3	2							
20	1	22190-080002	WASHER, SEAL 6	2							
21	1	26106-080122	BOLT, M8X 12 PLATED	1							
22	1	22190-080002	WASHER, SEAL 6	4							
23	1	129930-39050	PIPE, OIL	1							
24	1	105010-39140	BOLT, PIPE JOINT	2							
25	1	119260-34810	GUIDE, DIPSTICK	1							
26	1	24311-240100	O-RING, 1AP10A	1							
27	1	26106-080162	BOLT, M8X 16 PLATED	1							

Remarks
(1) REPAIR PART.

Fig.9. COOLING WATER SYSTEM



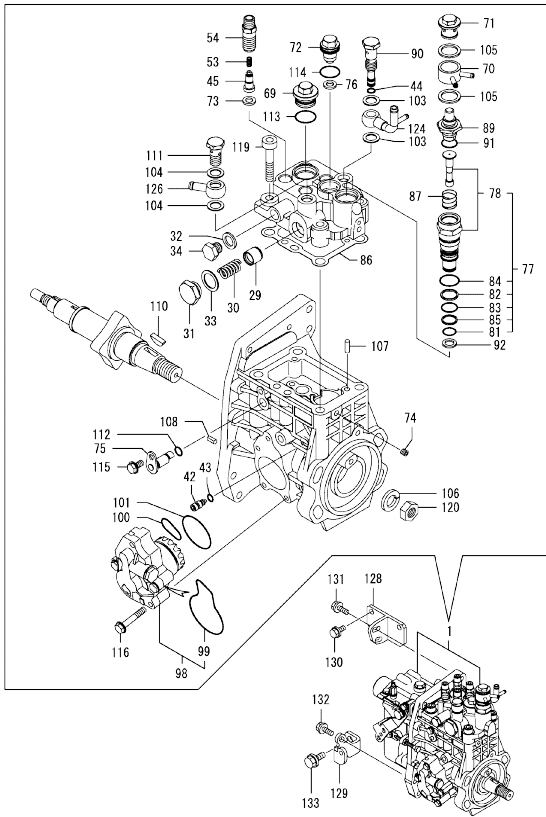
(A)=4TNV94L-NHZ
(B)=
(C)=

(D)=
(E)=
(F)=

No.	Lev.	Parts No.	Description	Q'ty						I	R
				(A)	(B)	(C)	(D)	(E)	(F)		
1	1	129907-42000	PUMP ASSY, WATER	1							
11	1	129900-42020	GASKET, WATER PUMP	1							
12	1	26106-060302	BOLT, M6X 30 PLATED	2							
13	1	26106-080552	BOLT, M8X 55 PLATED	5							
14	1	129900-42450	V-PULLEY, C.W.PUMP	1							
15	1	25132-004100	V-BELT, A41	1							
16	1	119130-44760	SPACER, FAN	1							
17	1	26106-080302	BOLT, M8X 30 PLATED	4							
18	1	129906-49810	CASE ASSY, THERMOSTAT	1							
19	2	129980-49530	COVER, THERMOSTAT	1							
20	2	121850-49540	GASKET, THERMOSTAT	1							
21	2	121850-49550	GASKET, THERMOSTAT	1							
22	2	129907-49730	RETAINER, PIPE	1							
23	2	121850-49800	THERMOSTAT, 82C	1							
27	2	129916-49740	PLUG, R3/8	2							
28	2	26106-060122	BOLT, M6X 12 PLATED	1							
29	2	26106-060202	BOLT, M6X 20 PLATED	2							
30	2	26106-060552	BOLT, M6X 55 PLATED	2							
31	1	129900-49870	GASKET, THERMOSTAT	1							
32	1	23414-080000	GASKET, 8X1.0	1							
33	1	26106-080122	BOLT, M8X 12 PLATED	1							
34	1	26106-080602	BOLT, M8X 60 PLATED	3							
35	1	121450-42450	PLUG, M16	1							
36	1	124465-44950	GASKET, 16	1							
37	1	129907-49610	HOSE ASSY, WATER	1							
38	2	129907-49710	HOSE, WATER	1							
39	2	129907-49750	TUBE, CORRUGATED	1							
40	2	124722-59050	CLAMP, HOSE 9	2							
41	1	129907-49620	HOSE ASSY, WATER	1							
42	2	129907-49720	HOSE, WATER	1							
43	2	124722-59050	CLAMP, HOSE 9	2							
44	1	129900-44700	FAN, COOLING D=410	1							
45	1	171056-49120	PLUG, DRAIN R1/4	1							
46	1	124250-49351	SENSOR, WATER TEMP.	1							
47	1	129150-49360	GASKET	1							

Fig.10. FUEL INJECTION PUMP

(A)=4TNV94L-NHZ
(D)=
(E)=
(F)=

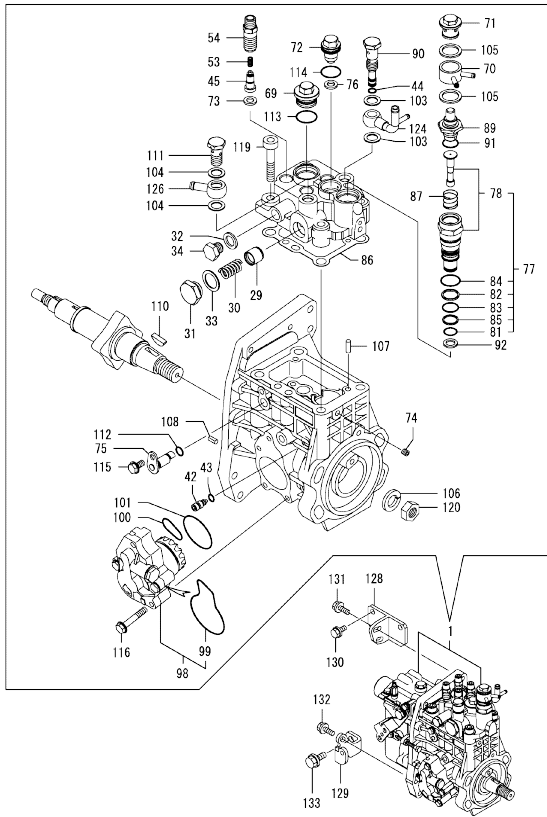


No.	Lev.	Parts No.	Description	(A)	(B)	(C)	(D)	(E)	(F)	I	R
1	1	729932-51370	FIE ASSY	1							1
29	2	158601-51770	PISTON, ACCUMULATOR	1							
30	2	158552-51780	SPRING, ACCUMULATOR	1							
30-1	2	158552-51781	SPRING, ACCUMULATOR	1							N
		(A=E/#*****)									
31	2	158601-51790	PLUG	1							
32	2	22190-120002	WASHER, SEAL 12	1							
33	2	22190-180002	WASHER, SEAL 18	1							
34	2	23887-120002	PLUG, 12	1							
42	2	158600-51270	STOPPER, TAPPET	1							
43	2	158563-51281	O-RING, 4D S6	1							
44	2	158563-51281	O-RING, 4D S6	1							
45	2	158560-51300	VALVE ASSY, DELIVERY	4							
53	2	158563-51330	SPRING, DELIVERY	4							
54	2	129907-51340	HOLDER, DELIVERY	4							
69	2	158601-51550	PLUG, M22	1							
70	2	158553-51551	JOINT, COOLING WATER	1							
71	2	158601-51570	PLUG	1							
72	2	129907-51560	PLUG, M16	1							
73	2	158552-51570	GASKET, PLUG	4							
74	2	158557-51570	PLUG, RACK	1							
75	2	158552-51580	LIFTER, LINK	1							
76	2	129906-51580	GASKET, PLUG	1							
77	2	119802-51590	TIMER ASSY	1							
78	3	119802-51600	TIMER ASSY	1							
81	3	158553-51670	O-RING	1							
82	3	119802-51680	RING, BACKUP	1							
83	3	119802-51690	O-RING	1							
84	3	24356-010200	O-RING, 4D1020	1							
85	3	24372-000150	RING, BACK UP T2P15	1							
86	2	158560-51600	GASKET	1							
87	2	158553-51630	SPRING, TIMER	1							
89	2	158553-51640	THERMOELEMENT	1							
90	2	158601-51650	JOINT, OVER FLOW	1							
91	2	158553-51660	O-RING, P14	1							
92	2	158553-51680	GASKET, TIMER	1							
98	2	158552-52100	PUMP ASSY, FUEL FEED	1							
99	3	158552-52500	O-RING	1							
100	2	158552-52310	O-RING	1							
101	2	158552-52400	O-RING, 4E S42	1							
103	2	22190-120002	WASHER, SEAL 12	2							
104	2	22190-120002	WASHER, SEAL 12	2							
105	2	22190-180002	WASHER, SEAL 18	2							
106	2	22217-180000	WASHER, SPRING 18	1							
107	2	22312-050140	PIN, PARALLEL M5X14	2							
108	2	22351-050010	PIN, SPRING 5.0X10	2							
110	2	144626-51090	FEATHER KEY, 5X19	1							
111	2	23857-060000	BOLT, JOINT 6	1							
112	2	24311-000070	O-RING, 1AP7.0	1							
113	2	24356-010200	O-RING, 4D1020	1							
114	2	24356-020210	O-RING, 4D2021	1							

Remarks
(1) GOVERNOR ASSY(FIG.11) IS INCORPORATED IN THIS FOP.CMP (REF.NO.1).

N:Old $\frac{New}{Old}$ New, Q:Old $\frac{New}{Old}$ New, R:Old $\frac{New}{Old}$ New, S:Old $\frac{New}{Old}$ New, W:Add, Z:Discontinued, F:Interchangeable by set, K:Qty Change
++ CONTINUE ++ Copyright (C) YANMAR GLOBAL CS CO., LTD. All Rights Reserved.

Fig.10. FUEL INJECTION PUMP



(A)=4TNV94L-NHZ
(B)=
(C)=

(D)=
(E)=
(F)=

No.	Lev.	Parts No.	Description	Q'ty						I	R
				(A)	(B)	(C)	(D)	(E)	(F)		
115	2	26106-060102	BOLT, M6X 10 PLATED	1							
116	2	26106-060352	BOLT, M6X 35 PLATED	4							
119	2	26450-100452	BOLT, M10X 45	4							
120	2	26776-180002	NUT, LOCK M18	1							
124	2	158552-51670	JOINT, OVER FLOW	1							
126	2	129916-59020	JOINT, PIPE 12	1							
128	1	129907-01950	RETAINER, PUMP	1							
129	1	129907-01960	RETAINER, PUMP	1							
130	1	26106-080162	BOLT, M8X 16 PLATED	2							
131	1	26106-080222	BOLT, M8X 22 PLATED	2							
132	1	26106-080222	BOLT, M8X 22 PLATED	1							
133	1	26106-100202	BOLT, M10X 20 PLATED	1							

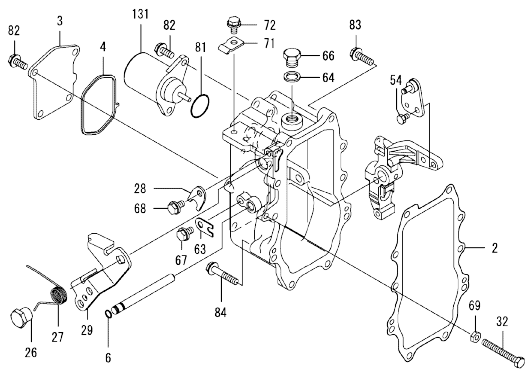
Remarks
(1) GOVERNOR ASSY(FIG.11) IS
INCORPORATED IN THIS FOP.CMP
(REF.NO.1).

0CW10-M07200 4TNV94L-NHZ
 Fig.11. GOVERNOR

0CW10-M07200 Fig.11

(A)=4TNV94L-NHZ
 (B)=
 (C)=

(D)=
 (E)=
 (F)=

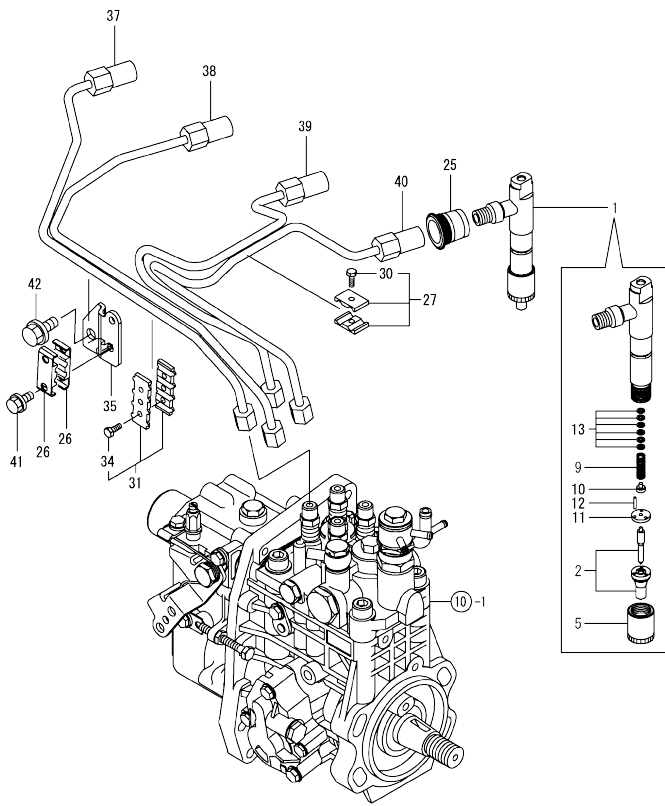


No.	Lev.	Parts No.	Description	Q'ty						I	R
				(A)	(B)	(C)	(D)	(E)	(F)		
2	2	158560-61050	GASKET	1							
3	2	158560-61061	COVER, GOVERNOR CASE	1							
4	2	158560-61071	GASKET	1							
6	2	129155-51280	O-RING, S6	1							
26	2	129255-61410	NUT, M8	1							
27	2	123944-61420	SPRING, LEVER	1							
28	2	158560-61430	STOPPER, SHAFT	1							
29	2	158560-61441	LEVER, REGULATOR	1							
32	2	129155-61460	BOLT, LIMITING	1							
54	2	26116-060102	BOLT, M6X 10 PLATED	1							
63	2	119660-61901	STOPPER, SHAFT	1							
64	2	22190-160002	WASHER, SEAL 16	1							
66	2	23887-160002	PLUG, 16	1							
67	2	26106-060102	BOLT, M6X 10 PLATED	1							
68	2	26106-060102	BOLT, M6X 10 PLATED	1							
69	2	26756-060002	NUT, LOCK M6	1							
71	2	123944-61430	RETAINER	1							
72	2	26106-060102	BOLT, M6X 10 PLATED	1							
81	2	24341-000280	O-RING, 1AS28.0	1							
81-1	2	158552-61900	O-RING	1							N
(A=EXXXXXX)											
82	2	26106-060142	BOLT, M6X 14 PLATED	6							
83	2	26106-060252	BOLT, M6X 25 PLATED	8							
84	2	26106-060402	BOLT, M6X 40 PLATED	2							
131	2	119653-77950	SOLENOID, STOP	1							

Remarks
 * THIS FIGURE(GOVERNOR ASSY)IS
 INCORPORATED IN THE FUEL INJECTION
 PUMP ASSY(FIG.10).

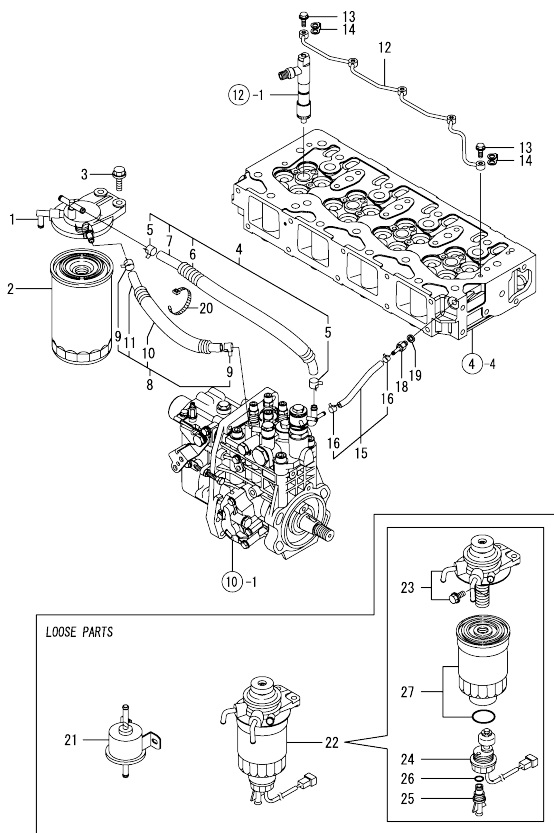
N:Old $\frac{100}{100}$ New. Q:Old $\frac{100}{100}$ New. R:Old $\frac{100}{100}$ New. S:Old $\frac{100}{100}$ New. W:Add. Z:Discontinued. F:Interchangeable by set. K:Q'ty Change
 Copyright (C) YANMAR GLOBAL CS CO., LTD. All Rights Reserved.

Fig.12. FUEL INJECTION VALVE



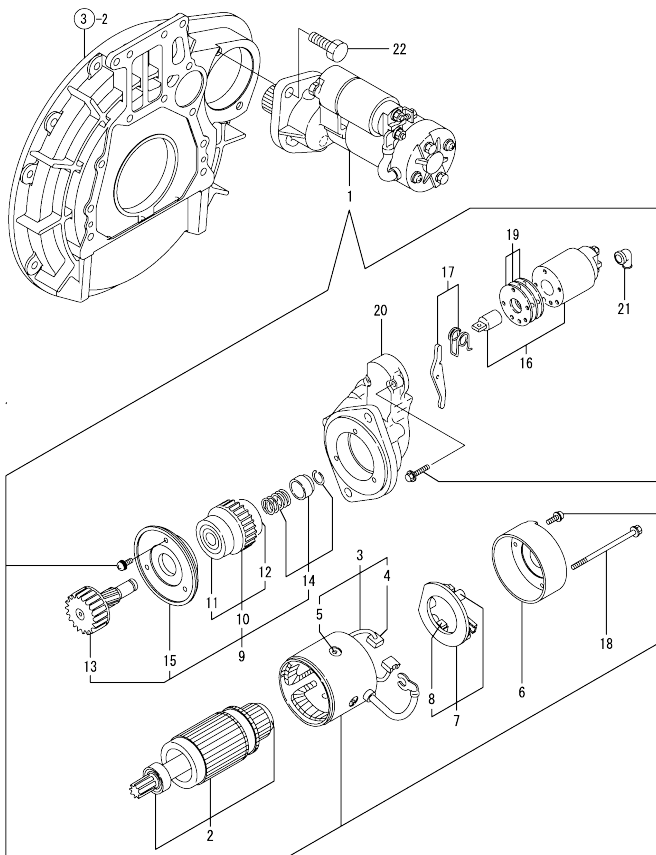
No.	Lev.	Parts No.	Description	Q'ty						I	R
				(A)	(B)	(C)	(D)	(E)	(F)		
1	1	729906-53100	FUEL INJECTOR ASSY	4							
2	2	129906-53000	NOZZLE ASSY, F.I.	4							
5	2	114250-53080	NUT, NOZZLE	4							
9	2	114250-53120	SPRING, NOZZLE	4							
10	2	114250-53130	SEAT, SPRING	4							
11	2	114250-53140	SPACER	4							
12	2	114250-53210	PIN	8							
13	2	114250-53400	SHIM SET	4							
25	1	123907-11601	SEAL, PIPE	4							
26	1	122780-59100	RETAINER	2							
27	1	119305-59120	RETAINER, PIPE	1							
30	2	129150-59131	BOLT, M4X14	1							
31	1	129550-59120	RETAINER, PIPE	1							
34	2	129150-59131	BOLT, M4X14	2							
35	1	129907-59710	SUPPORT	1							
37	1	129906-59810	PIPE ASSY, INJECTION	1							
38	1	129906-59820	PIPE ASSY, INJECTION	1							
39	1	129906-59830	PIPE ASSY, INJECTION	1							
40	1	129906-59840	PIPE ASSY, INJECTION	1							
41	1	26106-060162	BOLT, M6X 16 PLATED	2							
42	1	26106-080182	BOLT, M8X 18 PLATED	1							

Fig.13. FUEL LINE



No.	Lev.	Parts No.	Description	Q'ty					
				(A)	(B)	(C)	(D)	(E)	(F)
1	1	129004-55611	BRACKET, FILTER	1					
2	1	129907-55800	FILTER, FUEL	1					
3	1	26106-080302	BOLT, M8X 30 PLATED	2					
4	1	129457-59010	HOSE ASSY, FUEL	1					
5	2	124766-59050	CLAMP, HOSE 11.5	2					
6	2	129957-59120	TUBE, CORRUGATED 15	1					
7	2	105025-59750	HOSE, FUEL	1					
8	1	129981-59010	HOSE ASSY, FUEL	1					
9	2	124766-59050	CLAMP, HOSE 11.5	2					
10	2	129950-59221	TUBE, CORRUGATED 15	1					
11	2	129980-59510	HOSE, FUEL	1					
12	1	129907-59140	PIPE ASSY, RETURN	1					
13	1	123907-59540	BOLT, PIPE JOINT M6	5					
14	1	123907-59550	GASKET	5					
15	1	129486-59551	HOSE ASSY, RETURN	1					
16	2	124722-59050	CLAMP, HOSE 9	2					
18	1	123907-59560	JOINT, HOSE	1					
19	1	22190-080002	WASHER, SEAL 6	1					
20	1	121750-59890	BAND, NYLON	1					
21	1	119225-52102	PUMP, FUEL FEED	1					
22	1	129917-55800	FILTER ASSY, FUEL	1					
23	2	129917-55810	BODY, FILLER	1					
24	2	129917-55820	SENSOR ASSY, LEVEL	1					
25	2	129917-55830	PLUG, DRAIN	1					
26	2	129917-55840	O-RING	1					
27	2	129917-55850	ELEMENT KIT, FUEL	1					

Fig.14. STARTING MOTOR



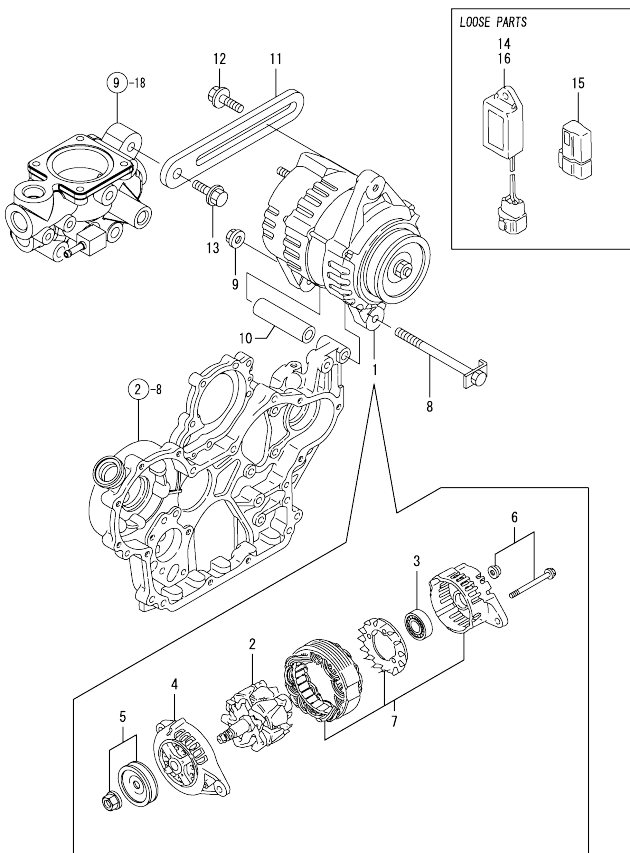
(A)=4TNV94L-NHZ
(B)=
(C)=

(D)=
(E)=
(F)=

No.	Lev.	Parts No.	Description	Q'ty					
				(A)	(B)	(C)	(D)	(E)	(F)
1	1	129900-77010	STARTER ASSY	1					
2	2	129900-77400	ARMATURE ASSY	1					
3	2	129900-77440	COIL ASSY, FIELD	1					
4	3	129900-77450	BRUSH	2					
5	3	171008-77450	SCREW, CORE SET	4					
6	2	129900-77460	COVER	1					
7	2	129900-77480	HOLDER ASSY, BRUSH	1					
8	3	129900-77500	BRUSH	2					
9	2	129900-77510	PINION ASSY,W/CLUTCH	1					
10	3	129900-77520	CLUTCH ASSY	1					
11	4	171008-77730	BEARING, BALL	1					
12	4	171008-77740	BEARING, BALL	1					
13	3	129900-77540	SHAFT, PINION	1					
14	3	129900-77550	STOPPER SET, PINION	1					
15	3	129900-77610	RETAINER, BEARING	1					
16	2	129900-77591	SWITCH ASSY, MAGNET	1					
17	2	129900-77620	LEVER SET	1					
18	2	129900-77640	BOLT, THROUGH	2					
19	2	129900-77650	COVER KIT, DUST	1					
20	2	129900-77710	CASE, GEAR	1					
21	2	171008-77750	COVER, TERMINAL	1					
22	1	26116-120302	BOLT, M12X 30 PLATED	2					

OCW10-M07200 4TNV94L-NHZ
 Fig.15. GENERATOR

OCW10-M07200 Fig.15



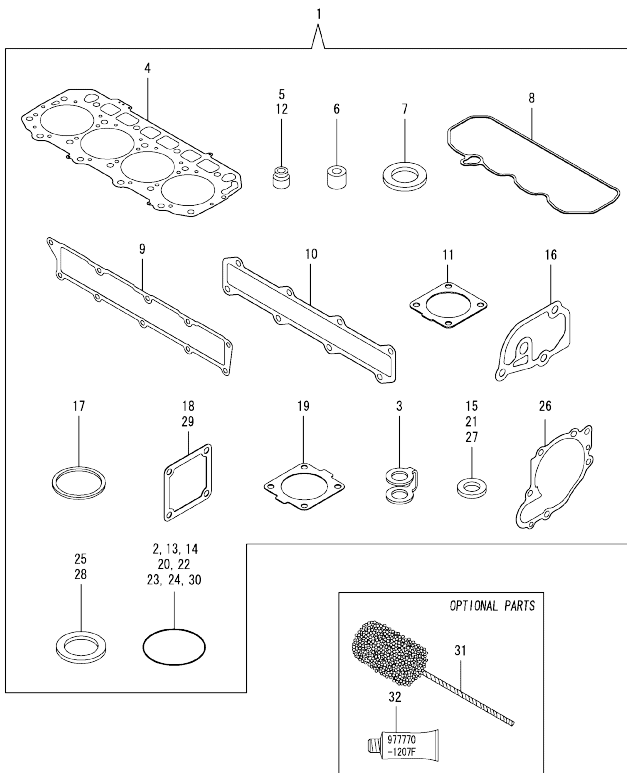
(A)=4TNV94L-NHZ
 (B)=
 (C)=

(D)=
 (E)=
 (F)=

No.	Lev.	Parts No.	Description	Q'ty						I	R
				(A)	(B)	(C)	(D)	(E)	(F)		
1	1	119836-77201	GENERATOR ASSY, 40A	1							
2	2	129612-77700	ROTOR ASSY	1							
3	2	129612-77710	BEARING, BALL	1							
4	2	129612-77730	BRACKET ASSY, FILTER	1							
5	2	129612-77740	PULLEY, GENERATOR	1							
6	2	129612-77750	SCREW KIT	1							
7	2	119836-77920	BRACKET ASSY	1							
8	1	129136-77251	BOLT, M8X114	1							
9	1	129612-77260	NUT, ALTERNATOR	1							
10	1	129150-77340	SPACER	1							
11	1	129900-77330	ADJUSTER, BELT	1							
12	1	119810-77340	BOLT, ADJUST L=30	1							
13	1	26014-080252	BOLT, M8X 25	1							
14	1	129211-77920	TIMER	1							
15	1	119643-66900	DIODE	1							
16	1	128300-77920	TIMER	1							

OCW10-M07200 4TNV94L-NHZ
 Fig.16. GASKET SET

OCW10-M07200 Fig.16



(A)=4TNV94L-NHZ
 (B)=
 (C)=

(D)=
 (E)=
 (F)=

No.	Lev.	Parts No.	Description	Q'ty						I	R
				(A)	(B)	(C)	(D)	(E)	(F)		
1	1	729906-92780	GASKET SET	1							1
1-1	1	129906-92710	GASKET SET	1							N 1
(A=2009.12)											
2	2	24351-030750	O-RING, 1A3075	1							
3	2	123907-59550	GASKET	5							
4	2	129906-01340	GASKET, HEAD	1							
4-1	2	129906-01350	GASKET, HEAD	1							N
(A=2009.12)											
5	2	124160-11340	SEAL, VALVE STEM	8							
6	2	119802-11870	PROTECTOR, NOZZLE	4							
7	2	119625-11880	SEAT, NOZZLE	4							
8	2	129907-11310	GASKET, BONNET	1							
9	2	129907-12110	GASKET, MANIFOLD	1							
10	2	129900-13150	GASKET, EXH.MANIFOLD	1							
11	2	129930-13201	GASKET, SILENCER	1							
12	2	124950-11340	SEAL, VALVE STEM	8							
13	2	129900-32030	O-RING, P20	2							
14	2	129900-32040	O-RING, P14	1							
15	2	124465-44950	GASKET, 16	1							
16	2	129900-49870	GASKET, THERMOSTAT	1							
17	2	121850-49550	GASKET, THERMOSTAT	1							
18	2	121850-77021	GASKET, AIR HEATER	1							
19	2	121850-49540	GASKET, THERMOSTAT	1							
20	2	24321-000850	O-RING, 1AG85.0	1							
21	2	23414-080000	GASKET, 8X1.0	1							
22	2	24311-000070	O-RING, 1AP7.0	1							
23	2	24311-000120	O-RING, 1AP12.0	8							
24	2	24311-000320	O-RING, 1AP32.0	2							
25	2	22190-080002	WASHER, SEAL 6	9							
26	2	129900-42020	GASKET, WATER PUMP	1							
27	2	129150-49360	GASKET	1							
28	2	22190-220002	WASHER, SEAL 22	1							
29	2	119129-77020	GASKET	1							
30	2	24311-240100	O-RING, 1AP10A	1							
31	1	129400-92440	HONE, FLEX	1							1
32	1	977770-1207F	GASKET, LIQUID	1							1

Remarks
 (1) OPTIONAL PARTS.

N:Old $\frac{100}{100}$ New, Q:Old $\frac{100}{100}$ New, R:Old $\frac{100}{100}$ New, S:Old $\frac{100}{100}$ New, W:Add, Z:Discontinued, F:Interchangeable by set, K:Q'ty Change
 Copyright (C) YANMAR GLOBAL CS CO., LTD. All Rights Reserved.

Parts No. Index

Parts No.	Fig. No.	Ref. No.
105010-39140	8	24
105025-59750	13	7
114250-39450	8	12
114250-53080	12	5
114250-53120	12	9
114250-53130	12	10
114250-53140	12	11
114250-53210	12	12
114250-53400	12	13
119000-35140	8	3
119005-77050	5	15
119129-77020	5	13
	16	29
119129-77520	5	16
119130-44760	9	16
119131-18320	5	10
119225-52102	13	21
119260-34810	8	25
119305-59120	12	27
119593-11301	4	28
119620-11180	4	17
119625-11880	4	26
	16	7
119640-01640	3	9
119640-61400	4	61
119643-66900	15	15
119653-77950	11	131
119660-61901	11	63
119802-11870	4	69
	16	6
119802-13610	5	9
119802-13720	5	11
119802-51590	10	77
119802-51600	10	78
119802-51680	10	82
119802-51690	10	83
119810-77340	15	12
119836-77201	15	1
119836-77920	15	7
120130-22301	7	23
121023-26070	2	39
121450-42450	9	35
121750-59890	13	20
121850-21130	7	11
121850-21290	7	5
121850-21680	7	10
121850-21920	7	6
121850-49540	9	20
	16	19
121850-49550	9	21

Parts No.	Fig. No.	Ref. No.
121850-49550	16	17
121850-49800	9	23
121850-77021	5	14
	16	18
122780-59100	12	26
123900-25060	6	10
123907-03100	4	54
123907-03110	4	55
123907-03120	4	56
123907-03140	4	57
123907-11280	4	33
123907-11550	4	3
123907-11601	12	25
123907-11820	4	10
123907-11830	4	23
123907-39500	8	15
123907-59540	13	13
123907-59550	13	14
	16	3
123907-59560	13	18
123944-61420	11	27
123944-61430	11	71
124160-01751	2	37
	4	49
124160-11340	4	18
	16	5
124160-11360	4	64
124250-49351	9	46
124465-44950	9	36
	16	15
124722-59050	9	40
	43	
	13	16
124766-59050	13	5
	9	
124950-11340	4	19
	16	12
128300-77920	15	16
129001-91810	2	27
	28	
129004-55611	13	1
129005-59830	8	17
129100-01580	2	5
	3	1
129136-77251	15	8
129150-02450	6	4
129150-11230	4	36
	40	
129150-11750	4	22
	37	

Parts No.	Fig. No.	Ref. No.
129150-11750	4	41
129150-14200	6	1
129150-25920	6	14
129150-35153	8	4
129150-49360	9	47
	16	27
129150-59131	12	30
	34	
129150-77340	15	10
129155-51280	11	6
129155-61460	11	32
129211-77920	15	14
129255-61410	11	26
129400-92440	16	31
129457-59010	13	4
129486-59551	13	15
129550-59120	12	31
129612-77260	15	9
129612-77700	15	2
129612-77710	15	3
129612-77730	15	4
129612-77740	15	5
129612-77750	15	6
129900-01200	1	31
129900-01250	1	5
129900-01740	2	6
129900-01780	2	4
129900-01850	2	44
129900-01870	2	45
129900-02020	1	7
129900-02340	1	34
129900-02410	1	10
129900-02930	1	28
129900-02940	1	37
129900-13120	5	7
129900-13150	5	8
	16	10
129900-14110	6	7
129900-14140	2	23
129900-21220	7	4
129900-21600	7	15
129900-21640	7	8
129900-23001	7	25
129900-23200	7	30
129900-23600	7	31
129900-23610	7	33
129900-23911	7	29
129900-25110	6	11
129900-26020	6	21
129900-26250	2	24

Parts No.	Fig. No.	Ref. No.
129900-32001	2	11
129900-32030	2	25
	8	5
	16	13
129900-32040	2	26
	16	14
129900-42020	9	11
	16	26
129900-42450	9	14
129900-44700	9	44
129900-49870	9	31
	16	16
129900-77010	14	1
129900-77330	15	11
129900-77400	14	2
129900-77440	14	3
129900-77450	14	4
129900-77460	14	6
129900-77480	14	7
129900-77500	14	8
129900-77510	14	9
129900-77520	14	10
129900-77540	14	13
129900-77550	14	14
129900-77591	14	16
129900-77610	14	15
129900-77620	14	17
129900-77640	14	18
129900-77650	14	19
129900-77710	14	20
129902-21050	7	1
129906-01340	1	32
	16	4
129906-01350	1	32 -2
	16	4 -1
129906-01610	3	2
129906-21520	7	12
129906-22050	7	19
129906-22080	7	17
129906-22090	7	17 -1
129906-22900	7	35 -1
129906-22910	7	35 -2
129906-34820	8	1
129906-49810	9	18
129906-51580	10	76
129906-53000	12	2
129906-59810	12	37
129906-59820	12	38
129906-59830	12	39
129906-59840	12	40

Parts No. Index

Parts No.	Fig. No.	Ref. No.
129906-92710	16	1 -1
129907-01190	1	33
129907-01331	1	32 -1
129907-01950	10	128
129907-01960	10	129
129907-03011	4	51
129907-03061	4	52
129907-03070	4	53
129907-07900	4	1
129907-11100	4	14
129907-11110	4	15
129907-11120	4	16
129907-11250	4	30
129907-11260	4	31
129907-11270	4	32
129907-11310	4	60
	16	8
129907-11320	4	50
129907-11341	4	29
129907-11510	4	20
129907-11650	4	34
129907-11660	4	38
129907-11700	4	4
129907-11800	4	8
129907-11910	4	67
129907-11920	4	42
129907-11950	4	47
129907-12100	5	1
129907-12110	5	3
	16	9
129907-14400	6	2
129907-14590	6	3
129907-21660	7	9
129907-25900	6	17
129907-39061	8	13
129907-42000	9	1
129907-49610	9	37
129907-49620	9	41
129907-49710	9	38
129907-49720	9	42
129907-49730	9	22
129907-49750	9	39
129907-51340	10	54
129907-51560	10	72
129907-55800	13	2
129907-59140	13	12
129907-59710	12	35
129916-01790	3	7
129916-22950	7	37 -1
129916-49740	9	27

Parts No.	Fig. No.	Ref. No.
129916-59020	10	126
129917-55800	13	22
129917-55810	13	23
129917-55820	13	24
129917-55830	13	25
129917-55840	13	26
129917-55850	13	27
129927-42140	2	26 A
129930-01710	3	8
129930-13201	5	6
	16	11
129930-21690	7	16
129930-35000	8	6
129930-39050	8	23
129950-59221	13	10
129951-01740	2	6 -1
129951-34820	8	2
129953-25300	6	16
129957-59120	13	6
129962-01500	2	8
129980-49530	9	19
129980-59510	13	11
129981-59010	13	8
144626-51090	10	110
158552-51570	10	73
158552-51580	10	75
158552-51670	10	124
158552-51780	10	30
158552-51781	10	30 -1
158552-52100	10	98
158552-52310	10	100
158552-52400	10	101
158552-52500	10	99
158552-61900	11	81 -1
158553-51551	10	70
158553-51630	10	87
158553-51640	10	89
158553-51660	10	91
158553-51670	10	81
158553-51680	10	92
158557-51570	10	74
158560-51300	10	45
158560-51600	10	86
158560-61050	11	2
158560-61061	11	3
158560-61071	11	4
158560-61430	11	28
158560-61441	11	29
158563-51150	6	18
158563-51281	10	43

Parts No.	Fig. No.	Ref. No.
158563-51281	10	44
158563-51330	10	53
158600-51270	10	42
158601-51550	10	69
158601-51570	10	71
158601-51650	10	90
158601-51770	10	29
158601-51790	10	31
171008-77450	14	5
171008-77730	14	11
171008-77740	14	12
171008-77750	14	21
171051-01921	1	6
171056-49120	9	45
22190-080002	8	18
	20	
	22	
	13	19
	16	25
22190-120002	10	32
		103
		104
22190-160002	11	64
22190-180002	10	33
		105
22190-220002	3	11
	16	28
	6	19
22217-180000	10	106
	7	24
22252-000300	10	107
22312-050140	3	13
22312-120200	3	13
22351-050010	10	108
22351-060012	1	11
22512-070140	6	8
	7	7
22857-500100	4	62
		63
23414-080000	9	32
	16	21
23857-030000	8	19
23857-060000	10	111
23876-020000	4	11
23876-030000	1	12
		13
		14
	4	12
23887-120002	10	34
23887-160002	11	66
24311-000070	2	43

Parts No.	Fig. No.	Ref. No.
24311-000070	10	112
	16	22
24311-000120	4	27
		65
	16	23
24311-000320	2	38
	4	66
	16	24
24311-240100	8	26
	16	30
24321-000850	2	40
	16	20
24341-000280	11	81
24351-030750	2	29
	16	2
24356-010200	10	84
		113
24356-020210	10	114
24372-000150	10	85
25132-004100	9	15
26014-080252	15	13
26106-060102	10	115
	11	67
		68
		72
26106-060122	9	28
26106-060142	11	82
26106-060162	12	41
26106-060202	9	29
26106-060252	11	83
26106-060302	9	12
26106-060352	10	116
26106-060402	11	84
26106-060552	9	30
26106-080122	3	12
	8	11
		21
	9	33
26106-080162	2	22
		30
		31
	4	2
	6	9
	8	27
	10	130
26106-080182	12	42
26106-080202	2	30 -1
		32
26106-080222	10	131
		132

Parts No. Index

Parts No.	Fig. No.	Ref. No.
26106-080302	9	17
	13	3
26106-080402	2	33
		34
	4	44
	5	17
26106-080452	2	34 -1
		35
26106-080552	5	4
	6	15
	9	13
26106-080602	4	45
		46
	9	34
26106-080702	2	28 -1
26106-080752	2	28 -2
26106-080852	5	5
26106-080902	5	18
26106-100202	2	41
	10	133
26116-060102	11	54
26116-120302	14	22
26206-100202	3	6
26206-100352	3	5
26216-100302	2	10
26226-080222	4	43
26306-080002	4	48
	5	12
26306-100002	2	36
26450-100452	10	119
26756-060002	11	69
26776-180002	6	20
	10	120
27241-300000	1	15
27241-400000	4	13
27310-070001	4	24
729900-02800	1	25
729906-01560	1	1
729906-22900	7	35
729906-22950	7	37
729906-53100	12	1
729906-92780	16	1
729907-01550	2	1
729932-51370	10	1
977770-1207F	2	42
	3	4
	4	68
	16	32

Parts No.	Fig. No.	Ref. No.
-----------	----------	----------

Parts No.	Fig. No.	Ref. No.
-----------	----------	----------

Parts No.	Fig. No.	Ref. No.
-----------	----------	----------