

0CD10-M80501EN

PREFACE

1. This parts catalog is the 2nd edition of 4TNV94L-PIK & 4TNV94L-PIKA for KATO WORKS CO.,LTD.

Pub.No. : 000Y00D8051

Published : November, 2006

2. Model name

Engine model	Vehicle		Vehicle made by
	Products	Model name	
4TNV94L-PIK	Excavator	65VX	KATO WORKS CO.,LTD.
4TNV94L-PIKA		55N2	

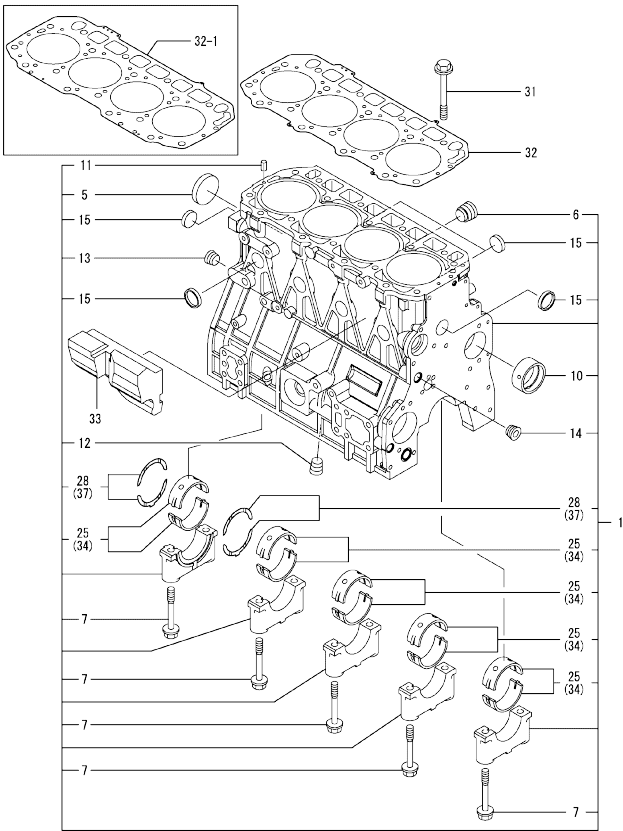
Contents

OCD10-M80501

Fig. No.	Fig. Name	Fig. No.	Fig. Name
4	TNV94L-PIK,PIKA		
1.	CYLINDER BLOCK		
2.	GEAR HOUSING		
3.	FLYWHEEL HOUSING & OIL SUMP		
4.	CYLINDER HEAD & BONNET		
5.	SUCTION MANIFOLD & AIR CLEANER		
6.	EXHAUST MANIFOLD & SILENCER		
7.	CAMSHAFT & DRIVING GEAR		
8.	CRANKSHAFT & PISTON		
9.	LUB. OIL SYSTEM		
10.	COOLING WATER SYSTEM		
11.	FUEL INJECTION PUMP		
12.	FUEL INJECTION VALVE		
13.	FUEL LINE		
14.	STARTING MOTOR		
15.	STARTING MOTOR		
16.	GENERATOR		
17.	GASKET SET		
18.	FUEL INJECTION PUMP(INNER PART		
19.	GOVERNOR(INNER PARTS)		

OCD10-M80501 4TNV94L-PIK,PIKA
Fig.1. CYLINDER BLOCK

OCD10-M80501 Fig.1



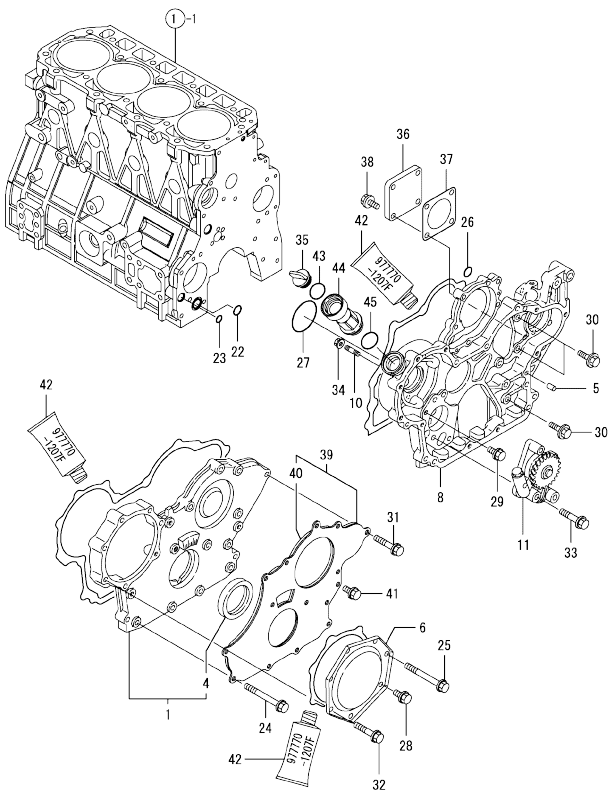
(A)=4TNV94L-PIK
 (B)=4TNV94L-PIKA
 (C)=

(D)=
 (E)=
 (F)=

No.	Lev.	Parts No.	Description	Q'ty						I	R
				(A)	(B)	(C)	(D)	(E)	(F)		
1	1	729906-01560	BLOCK ASSY, CYLINDER	1	1						
5	2	129900-01250	PLUG, 55	1	1						
6	2	171051-01921	PLUG, NPTF1	1	1						
7	2	129900-02020	BOLT, METAL CAP	10	10						
10	2	129900-02410	BUSH, CAMSHAFT	1	1						
11	2	22351-060012	PIN, SPRING 6.0X12	2	2						
12	2	23876-030000	PLUG, R03	1	1						
13	2	23876-030000	PLUG, R03	1	1						
14	2	23876-030000	PLUG, R03	1	1						
15	2	27241-300000	PLUG 30	8	8						
25	2	729900-02800	BEARING, MAIN	5	5						3
25-1	2	729900-02801	BEARING, MAIN	5	5						N 3
		(A=E25091) (B=E25093)									
28	2	129900-02930	BEARING, THRUST	2	2						
28-1	2	129900-02931	BEARING, THRUST	2	2						N
		(A=E25091) (B=E25093)									
31	1	129900-01200	BOLT, HEAD	18	18						
32	1	129906-01340	GASKET, HEAD	1	1						
32-1	1	129906-01350	GASKET, HEAD	1	1						S
		(A="2009.12) (B="2009.12)									
33	1	129907-01190	SPACER	1	1						
34	1	129900-02340	BEARING, 0.25 US	5	5						1
34-1	1	129900-02341	BEARING, 0.25 US	5	5						N 1
		(A=E25091) (B=E25093)									
37	1	129900-02940	BEARING, THRUST 0.25	2	2						2
37-1	1	129900-02941	BEARING, THRUST 0.25	2	2						N 2
		(A=E25091) (B=E25093)									

Remarks
 (1) UNDER-SIZE(U.S=0.25)PART.
 (2) OVER-SIZE(O.S=0.25)PART.
 (3) REPAIR PART.

OCD10-M80501 4TNV94L-PIK,PIKA
Fig.2. GEAR HOUSING



OCD10-M80501 Fig.2

(A)=4TNV94L-PIK
 (B)=4TNV94L-PIKA
 (C)=

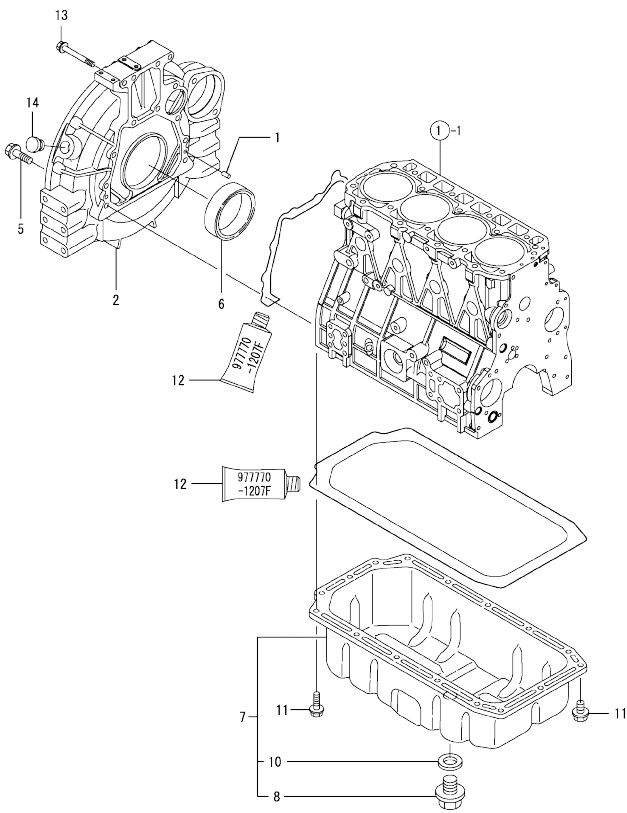
(D)=
 (E)=
 (F)=

No.	Lev.	Parts No.	Description	Q'ty						I	R
				(A)	(B)	(C)	(D)	(E)	(F)		
1	1	729907-01550	COVER ASSY,GEAR CASE	1	1						
4	2	129900-01780	SEAL, OIL	1	1						
5	1	129100-01580	PIN, M8X16	4	4						
6	1	129900-01740	COVER	1	1						
8	1	129907-01500	CASE, GEAR	1	1						
10	1	26216-100302	STUD, M10X 30	4	4						
11	1	129900-32001	PUMP ASSY, OIL	1	1						
22	1	129900-32030	O-RING, P20	1	1						
23	1	129900-32040	O-RING, P14	1	1						
24	1	129001-91810	BOLT, M8X70	6	6						
25	1	129001-91810	BOLT, M8X70	1	1						
26	1	24311-000070	O-RING, 1AP7.0	1	1						
27	1	24351-030750	O-RING, 1A3075	1	1						
28	1	26106-080162	BOLT, M8X 16 PLATED	1	1						
29	1	26106-080162	BOLT, M8X 16 PLATED	1	1						
30	1	26106-080202	BOLT, M8X 20 PLATED	3	3						
31	1	26106-080402	BOLT, M8X 40 PLATED	5	5						
32	1	26106-080402	BOLT, M8X 40 PLATED	5	5						
33	1	26106-080452	BOLT, M8X 45 PLATED	3	3						
34	1	26306-100002	NUT, M10	4	4						
35	1	124160-01751	COVER, FILLER	1	1						
36	1	124240-01871	COVER	1	1						
37	1	124240-01883	GASKET	1	1						
38	1	26106-080162	BOLT, M8X 16 PLATED	4	4						
39	1	129900-01850	COVER ASSY,GEAR CASE	1	1						
40	2	129900-01870	SPONGE	1	1						
41	1	26106-080162	BOLT, M8X 16 PLATED	3	3						
42	1	977770-1207F	GASKET,LIQUID	1	1						1
43	1	24311-000320	O-RING, 1AP32.0	1	1						
44	1	171031-11741	PIPE	1	1						
45	1	24311-000320	O-RING, 1AP32.0	1	1						

Remarks
 (1) OPTIONAL PART.

N:Old $\frac{New}{Old}$ New. Q:Old $\frac{New}{Old}$ New. R:Old $\frac{New}{Old}$ New. S:Old $\frac{New}{Old}$ New. W:Add. Z:Discontinued. F:Interchangeable by set. K:Q'ty Change
 Copyright (C) YANMAR GLOBAL CS CO., LTD. All Rights Reserved.

Fig.3. FLYWHEEL HOUSING & OIL SUMP



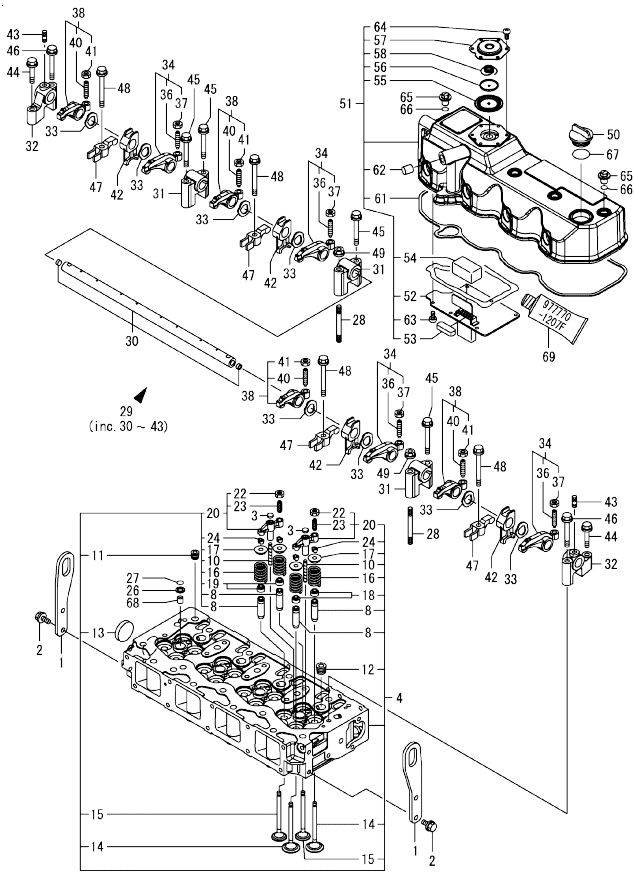
(A)=4TNV94L-PIK
(B)=4TNV94L-PIKA
(C)=

(D)=
(E)=
(F)=

No.	Lev.	Parts No.	Description	Q'ty						I	R	
				(A)	(B)	(C)	(D)	(E)	(F)			
1	1	129100-01580	PIN, M8X16		2	2						
2	1	129953-01620	HOUSING, FLYWHEEL	1	1							
5	1	26206-100352	BOLT, M10X 35 PLATED	9	9							
6	1	124411-01780	SEAL, HTC95X115X12	1	1							
7	1	129916-01710	SUMP ASSY, OIL	1	1							
8	2	119640-01640	PLUG, DRAIN M22	1	1							
10	2	22190-220002	WASHER, SEAL 22	1	1							
11	1	26106-080122	BOLT, M8X 12 PLATED	16	16							
12	1	97770-1207F	GASKET LIQUID	1	1							1
13	1	26206-100702	BOLT, M10X 70 PLATED	4	4							
14	1	119620-01750	CAP	1	1							W
(A=E24174) (B=E23040)												

Remarks
(1) OPTIONAL PART.

Fig.4. CYLINDER HEAD & BONNET



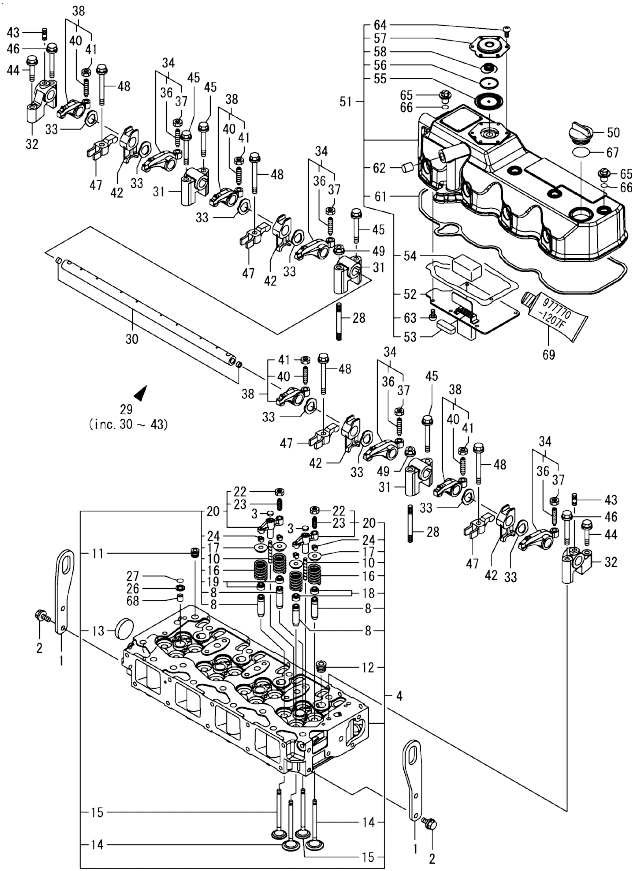
(A)=4TNV94L-PIK
(B)=4TNV94L-PIKA
(C)=

(D)=
(E)=
(F)=

No.	Lev.	Parts No.	Description	Q'ty						I	R
				(A)	(B)	(C)	(D)	(E)	(F)		
1	1	129907-07900	LIFTER	2	2						
2	1	26106-080162	BOLT, M8X 16 PLATED	4	4						
3	1	123907-11550	SEAT, VALVE BRIDGE	8	8						
4	1	129907-11700	HEAD ASSY, CYLINDER	1	1						1
8	2	129907-11800	GUIDE, VALVE	16	16						
10	2	123907-11820	GUIDE	8	8						
11	2	23876-020000	PLUG, R02	1	1						
12	2	23876-030000	PLUG, R03	4	4						
13	2	27241-400000	PLUG, 40	1	1						
14	2	129907-11100	VALVE, INTAKE	8	8						
15	2	129907-11110	VALVE, EXHAUST	8	8						
16	2	129907-11120	SPRING, VALVE	16	16						
17	2	119620-11180	RETAINER, SPRING	16	16						
18	2	124160-11340	SEAL, VALVE STEM	8	8						
19	2	124950-11340	SEAL, VALVE STEM	8	8						
19-1	2	119803-11340	SEAL, VALVE STEM	8	8						N
		(A=E27022) (B=E26896)									
20	2	129907-11510	BRIDGE ASSY, VALVE	8	8						
22	3	129150-11750	NUT, M8	8	8						
23	3	123907-11830	ADJUSTER	8	8						
24	2	27310-070001	COTTER, 7	16	16						
26	1	119625-11880	SEAT, NOZZLE	4	4						
27	1	24311-000120	O-RING, 1AP12.0	4	4						
28	1	119593-11301	STUD, M8X80	2	2						
29	1	129907-11341	SHAFT ASSY, ROCKER	1	1						
30	2	129907-11250	SHAFT, ROCKER ARM	1	1						
31	2	129907-11260	SUPPORT, ROCKER ARM	3	3						
32	2	129907-11270	SUPPORT, ROCKER ARM	2	2						
33	2	123907-11280	WASHER	8	8						
34	2	129907-11650	ARM, ROCKER	4	4						
36	3	129150-11230	SCREW, VALVE ADJUST	4	4						
37	3	129150-11750	NUT, M8	4	4						
38	2	129907-11660	ARM, ROCKER	4	4						
40	3	129150-11230	SCREW, VALVE ADJUST	4	4						
41	3	129150-11750	NUT, M8	4	4						
42	2	129907-11920	RETAINER	4	4						
43	2	26226-080222	STUD, M8X 22	2	2						
44	1	26106-080402	BOLT, M8X 40 PLATED	2	2						
45	1	26106-080602	BOLT, M8X 60 PLATED	4	4						
46	1	26106-080602	BOLT, M8X 60 PLATED	2	2						
47	1	129907-11910	RETAINER, NOZZLE	4	4						
48	1	129907-11950	BOLT, M8X75	4	4						
49	1	26306-080002	NUT, M8	2	2						
50	1	124160-01751	COVER, FILLER	1	1						
51	1	129907-11320	BONNET ASSY, HEAD	1	1						
52	2	129907-03010	PLATE	1	1						
53	2	129907-03060	BAFFLE, BREATHER	1	1						
53-1	2	129907-03061	BAFFLE, BREATHER	1	1						N
		(A=E06832) (B=E06833)									
54	2	129907-03070	BAFFLE, BREATHER	1	1						
55	2	123907-03100	DIAPHRAGM	1	1						

Remarks
(1) REPAIR PART.
(2) OPTIONAL PART.

Fig.4. CYLINDER HEAD & BONNET



(A)=4TNV94L-PIK
(B)=4TNV94L-PIKA
(C)=

(D)=
(E)=
(F)=

No.	Lev.	Parts No.	Description	Qty						I	R
				(A)	(B)	(C)	(D)	(E)	(F)		
56	2	123907-03110	PLATE	1	1						
57	2	123907-03120	PLATE, BREATHER	1	1						
58	2	123907-03140	SPRING, DIAPHRAGM	1	1						
61	2	129907-11310	GASKET, BONNET	1	1						
62	2	119640-61400	PLUG	1	1						
63	2	22857-500100	SCREW, 5X10	6	6						
64	2	22857-500100	SCREW, 5X10	6	6						
65	1	124160-11360	KNOB	4	4						
66	1	24311-000120	O-RING, 1AP12.0	4	4						
67	1	24311-000320	O-RING, 1AP32.0	1	1						
68	1	119802-11870	PROTECTOR, NOZZLE	4	4						
69	1	97770-1207F	GASKET,LIQUID	1	1						2

Remarks
(1) REPAIR PART.
(2) OPTIONAL PART.

Fig.5. SUCTION MANIFOLD & AIR CLEANER

(A)=4TNV94L-PIK
 (B)=4TNV94L-PIKA
 (C)=

(D)=
 (E)=
 (F)=

No.	Lev.	Parts No.	Description	Q'ty						I	R
				(A)	(B)	(C)	(D)	(E)	(F)		
1	1	129907-12100	MANIFOLD, AIR INTAKE	1	1						
2	1	129907-12110	GASKET, MANIFOLD	1	1						
3	1	26106-080552	BOLT, M8X 55 PLATED	9	9						
4	1	26106-080852	BOLT, M8X 85 PLATED	1	1						
5	1	121850-77021	GASKET	1	1						
6	1	129915-77050	HEATER	1	1						
7	1	26106-080352	BOLT, M8X 35 PLATED	4	4						
8	1	129916-12500	CLEANER ASSY, AIR	1	1						
9	2	129916-12510	BODY ASSY	1	1						
10	2	119005-12571	ELEMENT	1	1						
11	2	129062-12560	ELEMENT	1	1						
12	2	129900-12530	COVER ASSY	1	1						
13	2	119808-12540	VALVE, UNLOADER	1	1						
14	2	126650-12680	INDICATOR	1	1						
15	1	119160-12060	SILENCER ASSY	1							

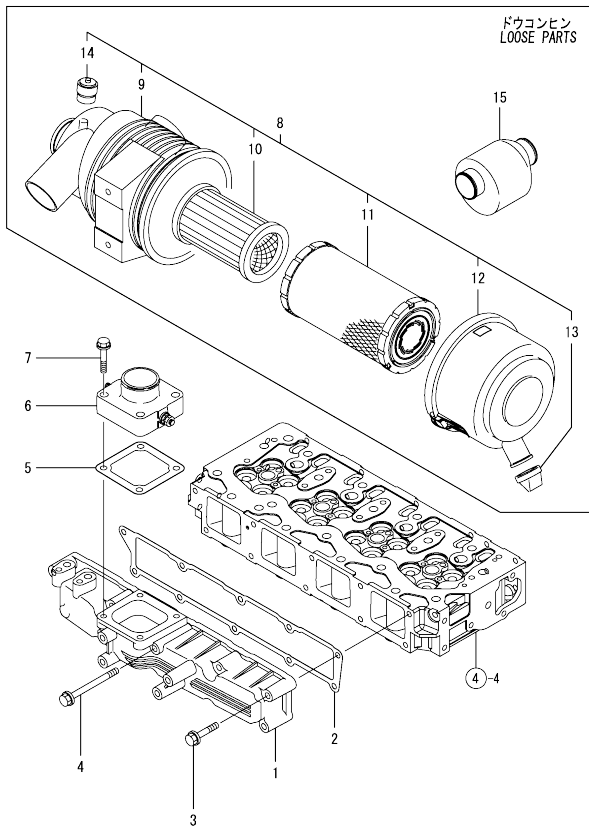
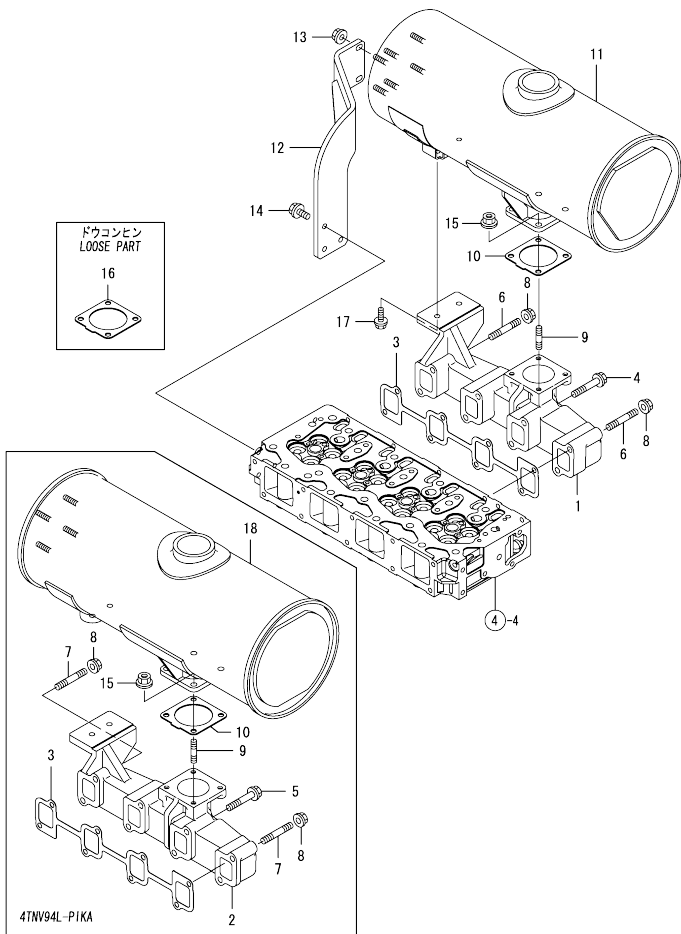


Fig.6. EXHAUST MANIFOLD & SILENCER

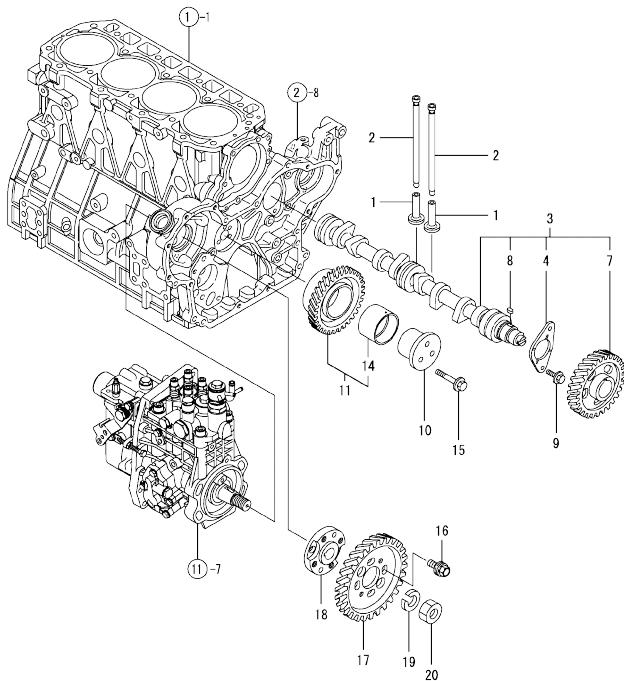


(A)=4TNV94L-PIK
(B)=4TNV94L-PIKA
(C)=

(D)=
(E)=
(F)=

No.	Lev.	Parts No.	Description	Q'ty						I	R
				(A)	(B)	(C)	(D)	(E)	(F)		
1	1	129907-13210	MANIFOLD, EXHAUST	1							
2	1	129907-13200	MANIFOLD, EXHAUST		1						
3	1	129900-13251	GASKET	1							
4	1	123900-13640	BOLT, M8X95		6						
5	1	123900-13630	BOLT, M8X80			6					
6	1	129263-13220	STUD, M8X95		2						
7	1	123900-13610	STUD, M8X80				2				
8	1	26306-080002	NUT, M8		2		2				
9	1	119131-18320	STUD, M8X22		4		4				
10	1	129930-13200	GASKET, SILENCER	1	1						
10-1	1	129930-13201	GASKET, SILENCER	1	1						N
				(A=E08415)		(B=E07916)					
11	1	129907-13510	SILENCER		1						
12	1	129907-13690	STAY, SILENCER		1						
13	1	26306-080002	NUT, M8		2						
14	1	26106-080202	BOLT, M8X 20 PLATED		3						
15	1	26306-080002	NUT, M8		4		4				
16	1	129930-13200	GASKET, SILENCER	1	1						
16-1	1	129930-13201	GASKET, SILENCER	1	1						N
				(A=E08415)		(B=E07916)					
17	1	26106-080252	BOLT, M8X 25 PLATED		2		2				
18	1	129907-13500	SILENCER				1				

Fig.7. CAMSHAFT & DRIVING GEAR



(A)=4TNV94L-PIK
(B)=4TNV94L-PIKA
(C)=

(D)=
(E)=
(F)=

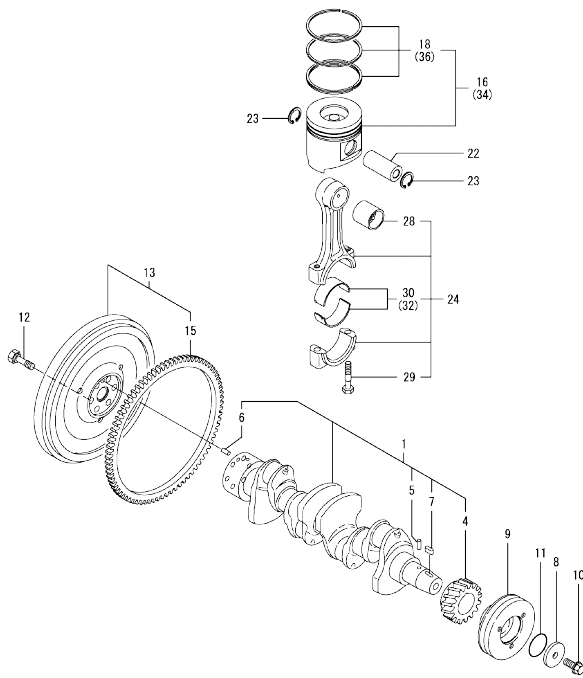
No.	Lev.	Parts No.	Description	Q'ty						I	R
				(A)	(B)	(C)	(D)	(E)	(F)		
1	1	129150-14200	TAPPET	8	8						
2	1	129907-14400	ROD, PUSH	8	8						
3	1	129907-14581	CAMSHAFT ASSY	1	1						
3-1	1	129908-14581	CAMSHAFT ASSY	1	1						N
		(A=EZZZZZ) (B=EZZZZZ)									
4	2	129150-02450	BEARING, THRUST	1	1						
7	2	129900-14100	GEAR, CAMSHAFT	1	1						
8	2	22512-070140	KEY, 7X 14	1	1						
9	1	26106-080162	BOLT, M8X 16 PLATED	2	2						
10	1	123900-25060	SHAFT, IDLE GEAR	1	1						
11	1	129900-25100	GEAR ASSY, IDLE	1	1						
14	2	129150-25920	BUSH, IDLE GEAR	1	1						1
15	1	26106-080552	BOLT, M8X 55 PLATED	3	3						
16	1	129953-25300	BOLT	4	4						
17	1	123907-25909	GEAR, PUMP	1	1						
17-1	1	129907-25909	GEAR, PUMP	1	1						N
		(A=E08415) (B=E07916)									
18	1	158563-51150	FLANGE	1	1						
19	1	22217-180000	WASHER, SPRING 18	1	1						
20	1	26776-180002	NUT, LOCK M18	1	1						

Remarks
(1) REPAIR PART.

Fig.8. CRANKSHAFT & PISTON

(A)=4TNV94L-PIK
(B)=4TNV94L-PIKA
(C)=

(D)=
(E)=
(F)=



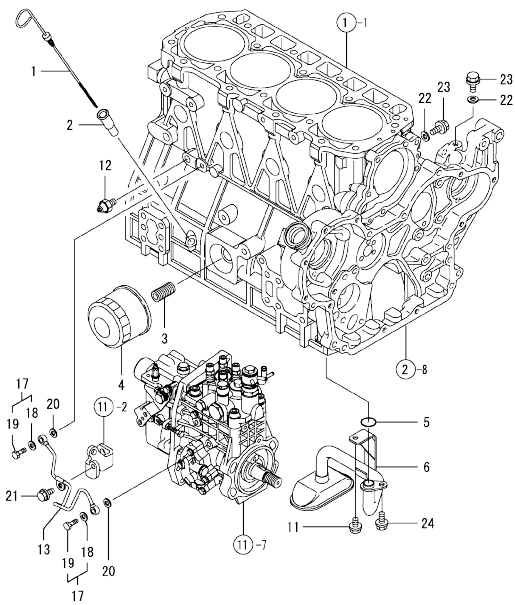
No.	Lev.	Parts No.	Description	Q'ty						I	R
				(A)	(B)	(C)	(D)	(E)	(F)		
1	1	129902-21000	CRANKSHAFT ASSY	1	1						
4	2	129900-21200	GEAR, CRANKSHAFT	1	1						
5	2	121850-21290	PIN	1	1						
6	2	121850-21920	PIN, M10X22	1	1						
7	2	22512-070140	KEY, 7X 14	1	1						
8	1	129960-21640	WASHER	1	1						
9	1	129907-21650	V-PULLEY, 130	1	1						
10	1	121850-21680	BOLT	1	1						
10-1	1	129916-21610	BOLT	1	1						N
(A=E27022) (B=E26896)											
11	1	24341-000530	O-RING, 1AS53.0	1	1						
12	1	121850-21130	BOLT, FLYWHEEL	6	6						
13	1	129916-21590	FLYWHEEL ASSY	1	1						
15	2	129900-21600	GEAR, RING	1	1						
16	1	129906-22080	PISTON ASSY	4	4						
16-1	1	129906-22090	PISTON ASSY	4	4						F 4
(A=*2009.12) (B=*2009.12)											
18	2	129906-22050	RING SET, PISTON	4	4						
22	1	120130-22301	PIN, PISTON	4	4						
23	1	22252-000300	RING, 30	8	8						
24	1	129900-23000	ROD ASSY, CONNECTING	4	4						
24-1	1	129900-23001	ROD ASSY, CONNECTING	4	4						N
(A=E05919) (B=E05409)											
28	2	129900-23910	BEARING, PISTON PIN	4	4						1
28-1	2	129900-23911	BEARING, PISTON PIN	4	4						N 1
(A=E25091) (B=E25093)											
29	2	129900-23200	BOLT, CONNECTING ROD	8	8						
30	2	129900-23600	BEARING, CRANK PIN	4	4						
30-1	2	129900-23601	BEARING, CRANK PIN	4	4						N
(A=E25091) (B=E25093)											
32	1	129900-23610	BEARING, 0.25 US	4	4						2
32-1	1	129900-23611	BEARING, 0.25 US	4	4						N 2
(A=E25091) (B=E25093)											
34	1	729906-22900	PISTON ASSY, 0.25 OS	4	4						3
34-1	1	129906-22900	PISTON ASSY, 0.25 OS	4	4						R 3
(A=EXXXXX) (B=EXXXXX)											
34-2	1	129906-22910	PISTON ASSY, 0.25 OS	4	4						F 3
(A=*2009.12) (B=*2009.12)											
36	2	729906-22950	RING SET, 0.25 OS	4	4						3
36-1	2	129916-22950	RING SET, 0.25 OS	4	4						R 3
(A=EXXXXX) (B=EXXXXX)											

Remarks

- (1) Repair part.
- (2) Under-sized (U.S.=0.25) part.
- (3) Over-sized (O.S.=0.25) part.
- (4) Ref. No. 16 is interchangeable with a set of Ref. No. 16-1 and Fig.1 Ref. No.32-1.

OCD10-M80501 4TNV94L-PIK,PIKA
 Fig.9. LUB. OIL SYSTEM

OCD10-M80501 Fig.9



(A)=4TNV94L-PIK
 (B)=4TNV94L-PIKA
 (C)=

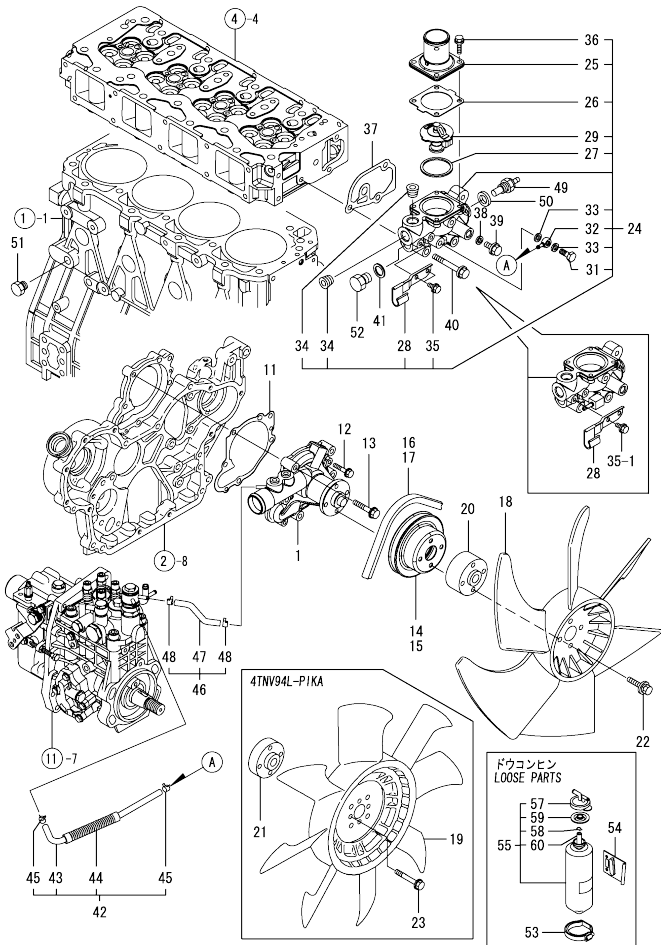
(D)=
 (E)=
 (F)=

No.	Lev.	Parts No.	Description	Q'ty						I	R
				(A)	(B)	(C)	(D)	(E)	(F)		
1	1	129953-34830	DIPSTICK, OIL	1	1						
2	1	121520-34810	GUIDE, DIPSTICK	1	1						
3	1	119000-35140	BOLT, FILTER	1	1						
4	1	129150-35153	FILTER 80X80L	1	1						1
5	1	129900-32030	O-RING, P20	1	1						
6	1	129953-35000	PIPE ASSY, OIL INLET	1	1						
11	1	26106-080122	BOLT, M8X 12 PLATED	1	1						
12	1	121252-39450	SWITCH, 0.5KG	1	1						
13	1	129907-39061	PIPE ASSY, OIL	1	1						
17	1	129005-59830	BOLT ASSY, JOINT M8	2	2						
18	2	22190-080002	WASHER, SEAL 6	2	2						
19	2	23857-030000	BOLT, JOINT 3	2	2						
20	1	22190-080002	WASHER, SEAL 6	2	2						
21	1	26106-080122	BOLT, M8X 12 PLATED	1	1						
22	1	22190-080002	WASHER, SEAL 6	2	2						
23	1	26106-080122	BOLT, M8X 12 PLATED	2	2						
24	1	26106-080162	BOLT, M8X 16 PLATED	1	1						

Remarks
 (1) REPAIR PART.

N:Old $\frac{100}{100}$ New, Q:Old $\frac{100}{100}$ New, R:Old $\frac{100}{100}$ New, S:Old $\frac{100}{100}$ New, W:Add, Z:Discontinued, F:Interchangeable by set, K:Qty Change
 Copyright (C) YANMAR GLOBAL CS CO., LTD. All Rights Reserved.

Fig.10. COOLING WATER SYSTEM



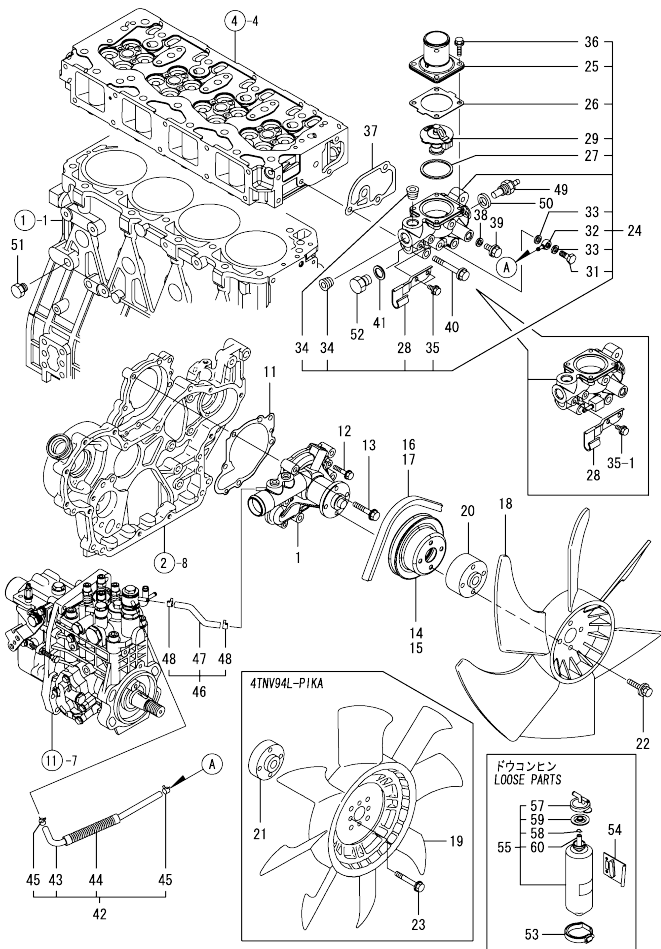
(A)=4TNV94L-PIK
(B)=4TNV94L-PIKA
(C)=

(D)=
(E)=
(F)=

No.	Lev.	Parts No.	Description	Q'ty						I	R
				(A)	(B)	(C)	(D)	(E)	(F)		
1	1	129907-42000	PUMP ASSY, WATER	1	1						
11	1	129900-42020	GASKET, WATER PUMP	1	1						
12	1	26106-060302	BOLT, M6X 30 PLATED	2	2						
13	1	26106-080552	BOLT, M8X 55 PLATED	5	5						
14	1	129930-42450	V-PULLEY	1							
15	1	129900-42461	V-PULLEY		1						
16	1	25132-004150	V-BELT, A41.5	1							
17	1	25132-004100	V-BELT, A41		1						
18	1	129916-44740	FAN, COOLING D=430	1							
19	1	119130-44740	FAN, COOLING D=410		1						
20	1	119005-44761	SPACER, FAN	1							
21	1	119130-44760	SPACER, FAN		1						
22	1	26106-080452	BOLT, M8X 45 PLATED	4							
23	1	26106-080302	BOLT, M8X 30 PLATED		4						
24	1	129907-49800	CASE ASSY, THERMOSTAT	1	1						
25	2	129916-49530	COVER, THERMOSTAT	1	1						
26	2	121850-49540	GASKET, THERMOSTAT	1	1						
27	2	121850-49550	GASKET, THERMOSTAT	1	1						
28	2	129907-49730	RETAINER, PIPE	1	1						
29	2	121850-49810	THERMOSTAT, 71	1	1						Z
31	2	105582-59150	BOLT, PIPE JOINT	1	1						Z
(A=E05919) (B=E05409)											
32	2	23387-040800	JOINT, HOSE 4-8	1	1						Z
(A=E05919) (B=E05409)											
33	2	23414-080000	GASKET, 8X1.0	2	2						Z
(A=E05919) (B=E05409)											
34	2	23875-030000	PLUG, R03	2	2						
35	2	26106-060122	BOLT, M6X 12 PLATED	2	2						
35-1	2	26106-060122	BOLT, M6X 12 PLATED	1	1						K
(A=E05919) (B=E05409)											
36	2	26106-060202	BOLT, M6X 20 PLATED	4	4						
37	1	129900-49870	GASKET	1	1						
38	1	23414-080000	GASKET, 8X1.0	1	1						
39	1	26106-080122	BOLT, M8X 12 PLATED	1	1						
40	1	26106-080602	BOLT, M8X 60 PLATED	3	3						
41	1	124465-44950	GASKET, 16	1	1						
42	1	129907-49610	HOSE ASSY, WATER	1	1						
43	2	129907-49710	PIPE ASSY, WATER	1	1						
44	2	129907-49750	TUBE, CORRUGATED	1	1						
45	2	124722-59050	CLIP, HOSE 9	2	2						
46	1	129907-49620	HOSE ASSY, WATER	1	1						
47	2	129907-49720	PIPE ASSY, WATER	1	1						
48	2	124722-59050	CLIP, HOSE 9	2	2						
49	1	171056-49351	SENSOR	1	1						
50	1	129150-49360	GASKET	1	1						
51	1	171056-49120	PLUG, DRAIN	1	1						
52	1	121450-42450	PLUG, M16	1	1						
53	1	124450-44550	BAND	1	1						
54	1	121256-44600	BRACKET, SUB TANK	1	1						
55	1	171064-44510	TANK ASSY, SUB	1	1						
57	2	121450-44531	CAP	1	1						

N:Old $\frac{New}{Old}$ New, Q:Old $\frac{New}{Old}$ New, R:Old $\frac{New}{Old}$ New, S:Old $\frac{New}{Old}$ New, W:Add, Z:Discontinued, F:Interchangeable by set, K:Q'ty Change
 ++ CONTINUE ++
 Copyright (C) YANMAR GLOBAL CS CO., LTD. All Rights Reserved.

Fig.10. COOLING WATER SYSTEM



(A)=4TNV94L-PIK
(B)=4TNV94L-PIKA
(C)=

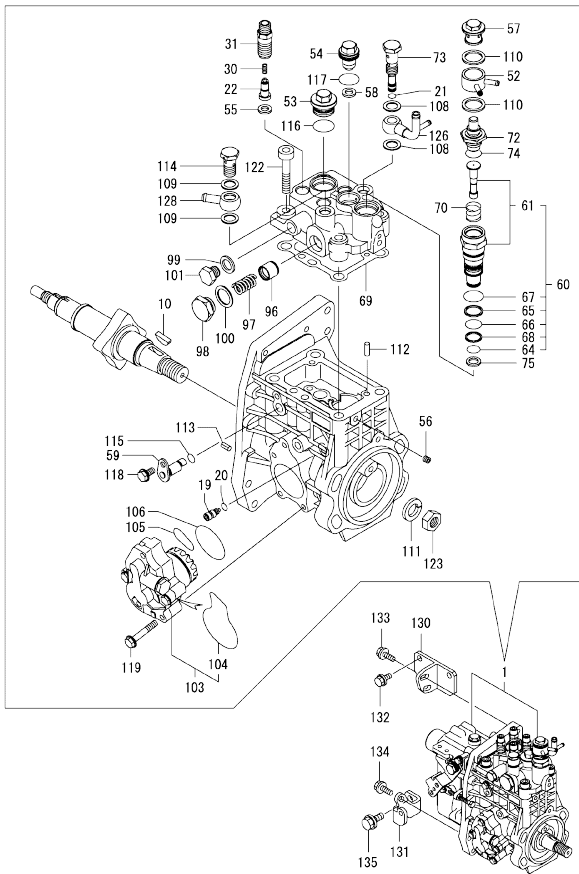
(D)=
(E)=
(F)=

No.	Lev.	Parts No.	Description	Q'ty						I	R
				(A)	(B)	(C)	(D)	(E)	(F)		
58	2	124450-44560	RETAINER	1	1						
59	2	121470-44581	GASKET	1	1						
60	2	23065-070225	HOSE 7X 225	1	1						

Fig.11. FUEL INJECTION PUMP

(A)=4TNV94L-PIK
(B)=4TNV94L-PIKA
(C)=

(D)=
(E)=
(F)=



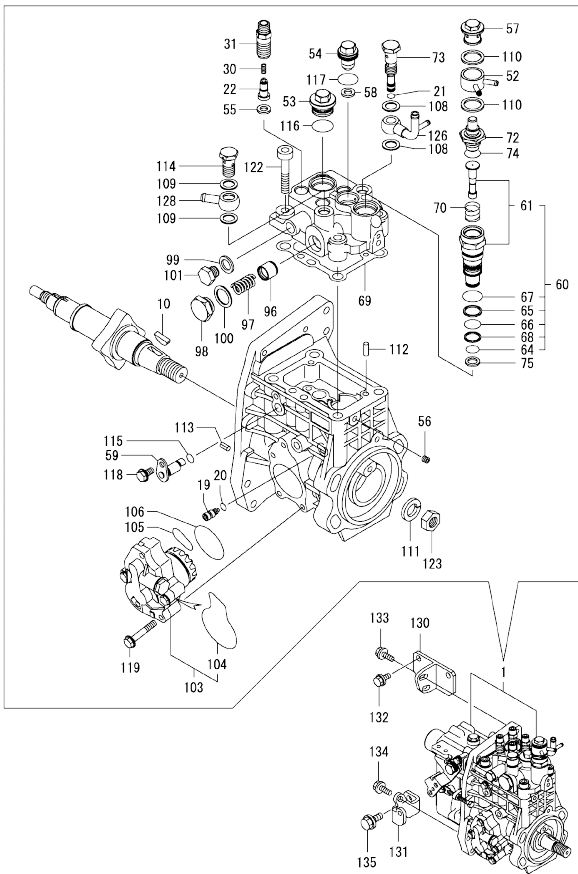
No.	Lev.	Parts No.	Description	Q'ty						I	R
				(A)	(B)	(C)	(D)	(E)	(F)		
1	1	729932-51330	PUMP ASSY, INJECTION	1	1						1
10	2	144626-51090	KEY, 5X19	1	1						
19	2	158600-51270	STOPPER, TAPPET	1	1						
20	2	158563-51281	O-RING, 4D S6	1	1						
21	2	158563-51281	O-RING, 4D S6	1	1						
22	2	158560-51300	VALVE ASSY, DELIVERY	4	4						
30	2	158563-51330	SPRING, DELIVERY	4	4						
31	2	129907-51340	HOLDER, DELIVERY	4	4						
52	2	158553-51551	JOINT	1	1						
53	2	158601-51550	PLUG	1	1						
54	2	129907-51560	PLUG, BARREL	1	1						
55	2	158552-51570	GASKET	4	4						
56	2	158557-51570	PLUG	1	1						
57	2	158601-51570	PLUG	1	1						
58	2	129906-51580	GASKET	1	1						
59	2	158552-51580	LIFTER	1	1						
60	2	119802-51590	TIMER SET	1	1						
61	3	119802-51600	TIMER ASSY	1	1						
64	3	158553-51670	O-RING, 1011	1	1						
65	3	119802-51680	RING, BACK UP	1	1						
66	3	119802-51690	O-RING	1	1						
67	3	24356-010200	O-RING, 4D1020	1	1						
68	3	24372-000150	RING, BACK UP T2P15	1	1						
69	2	158560-51600	GASKET	1	1						
70	2	158553-51630	SPRING, TIMER	1	1						
72	2	158553-51640	ELEMENT	1	1						
73	2	158601-51650	JOINT, OVER FLOW	1	1						
74	2	158553-51660	O-RING, P14	1	1						
75	2	158553-51680	GASKET	1	1						
96	2	158601-51770	PISTON	1	1						
97	2	158552-51781	SPRING	1	1						
98	2	158601-51790	PLUG	1	1						
99	2	22190-120002	WASHER, SEAL 12	1	1						
100	2	22190-180002	WASHER, SEAL 18	1	1						
101	2	23887-120002	PLUG, 12	1	1						
103	2	158552-52100	PUMP ASSY, FUEL FEED	1	1						
104	3	158552-52500	O-RING	1	1						
105	2	158552-52310	O-RING	1	1						
106	2	158552-52400	O-RING, 4E S42	1	1						
108	2	22190-120002	WASHER, SEAL 12	2	2						
109	2	22190-120002	WASHER, SEAL 12	2	2						
110	2	22190-180002	WASHER, SEAL 18	2	2						
111	2	22217-180000	WASHER, SPRING 18	1	1						
112	2	22312-050140	PIN, PARALLEL M5X14	2	2						
113	2	22351-050010	PIN, SPRING 5.0X10	2	2						
114	2	23857-060000	BOLT, JOINT 6	1	1						
115	2	24311-000070	O-RING, 1AP7.0	1	1						
116	2	24356-010200	O-RING, 4D1020	1	1						
117	2	24356-020210	O-RING, 4D2021	1	1						
118	2	26106-060102	BOLT, M6X 10 PLATED	1	1						
119	2	26106-060352	BOLT, M6X 35 PLATED	4	4						

Remarks
(1) REFER TO FIG.18 & 19 FOR INNER PARTS.

Fig.11. FUEL INJECTION PUMP

(A)=4TNV94L-PIK
(B)=4TNV94L-PIKA
(C)=

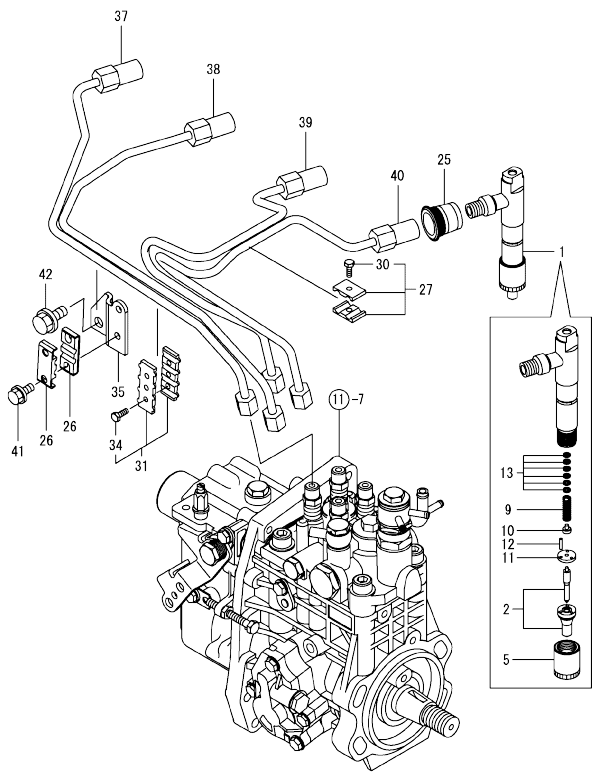
(D)=
(E)=
(F)=



No.	Lev.	Parts No.	Description	Q'ty					
				(A)	(B)	(C)	(D)	(E)	(F)
122	2	26450-100452	BOLT, M10X 45	4	4				
123	2	26776-180002	NUT, LOCK M18	1	1				
126	2	158552-51670	JOINT, OVER FLOW	1	1				
128	2	129916-59020	JOINT, PIPE 12	1	1				
130	1	129907-01950	RETAINER	1	1				
131	1	129907-01960	RETAINER	1	1				
132	1	26106-080162	BOLT, M8X 16 PLATED	2	2				
133	1	26106-080222	BOLT, M8X 22 PLATED	2	2				
134	1	26106-080222	BOLT, M8X 22 PLATED	1	1				
135	1	26106-100202	BOLT, M10X 20 PLATED	1	1				

Remarks
(1) REFER TO FIG.18 & 19 FOR INNER PARTS.

Fig.12. FUEL INJECTION VALVE

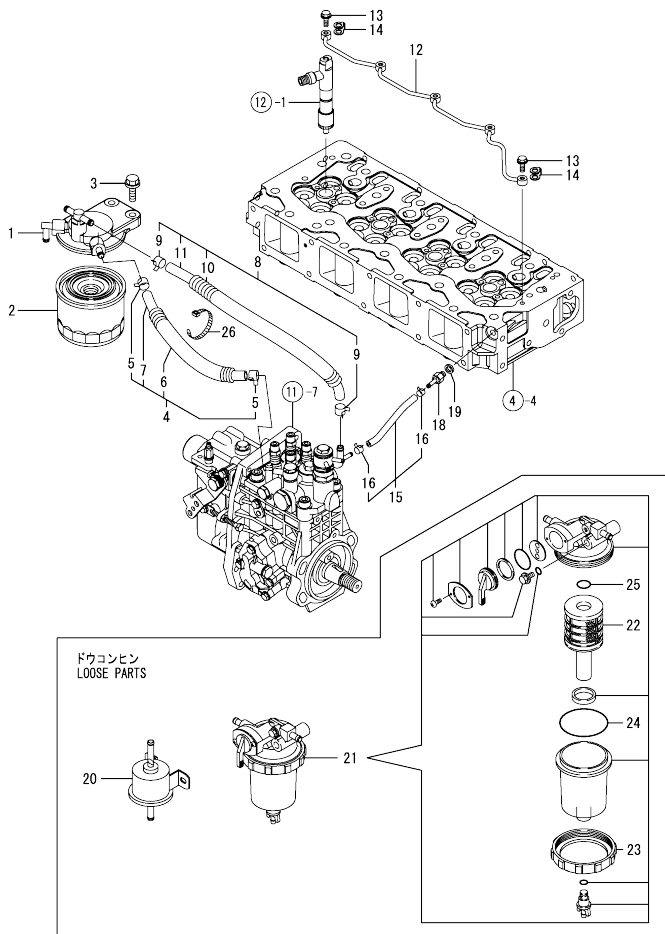


(A)=4TNV94L-PIK
(B)=4TNV94L-PIKA
(C)=

(D)=
(E)=
(F)=

No.	Lev.	Parts No.	Description	Q'ty					
				(A)	(B)	(C)	(D)	(E)	(F)
1	1	729906-53100	VALVE ASSY,INJECTION	4	4				
2	2	129906-53000	VALVE ASSY,INJECTION	4	4				
5	2	114250-53080	NUT, NOZZLE D16.95	4	4				
9	2	114250-53120	SPRING, NOZZLE	4	4				
10	2	114250-53130	SEAT, SPRING	4	4				
11	2	114250-53140	PLATE	4	4				
12	2	114250-53210	PIN	8	8				
13	2	114250-53400	SHIM SET	4	4				
25	1	123907-11601	SEAL	4	4				
26	1	122780-59100	RETAINER	2	2				
27	1	119305-59120	RETAINER, PIPE	1	1				
30	2	129150-59131	BOLT, M4X14	1	1				
31	1	129550-59120	RETAINER, PIPE	1	1				
34	2	129150-59131	BOLT, M4X14	2	2				
35	1	129907-59710	SUPPORT	1	1				
37	1	129907-59810	PIPE ASSY, INJECTION	1	1				
38	1	129907-59820	PIPE ASSY, INJECTION	1	1				
39	1	129907-59830	PIPE ASSY, INJECTION	1	1				
40	1	129907-59840	PIPE ASSY, INJECTION	1	1				
41	1	26106-060162	BOLT, M6X 16 PLATED	2	2				
42	1	26106-080182	BOLT, M8X 18 PLATED	1	1				

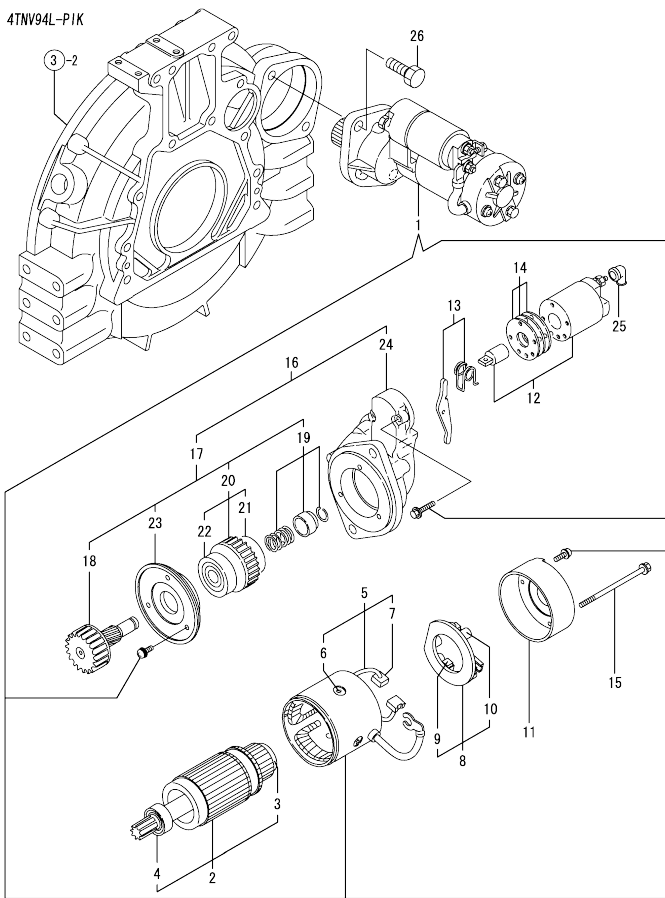
Fig.13. FUEL LINE



No.	Lev.	Parts No.	Description	Q'ty						I	R
				(A)	(B)	(C)	(D)	(E)	(F)		
1	1	129004-55610	BRACKET, FILTER	1	1						
1-1	1	129004-55611	BRACKET, FILTER	1	1						R
		(A=E10449) (B=E10875)									
1-2	1	129004-55612	BRACKET, FILTER	1	1						R
		(A=E24174) (B=E23040)									
2	1	119802-55800	FILTER, FUEL	1	1						
2-1	1	119802-55801	FILTER, FUEL	1	1						R
		(A=E25091) (B=E25093)									
3	1	26106-080302	BOLT, M8X 30 PLATED	2	2						
4	1	129457-59010	PIPE ASSY, FUEL	1	1						
5	2	124766-59050	CLIP, HOSE 12	2	2						
6	2	129957-59120	TUBE, CORRUGATED	1	1						
7	2	105025-59750	PIPE, FUEL	1	1						
8	1	129981-59010	PIPE ASSY, FUEL	1	1						
9	2	124766-59050	CLIP, HOSE 12	2	2						
10	2	129950-59221	TUBE, CORRUGATED	1	1						
11	2	129980-59510	PIPE, FUEL	1	1						
12	1	129907-59140	PIPE ASSY, RETURN	1	1						
13	1	123907-59540	BOLT, PIPE JOINT M6	5	5						
14	1	123907-59550	GASKET	5	5						
15	1	129486-59551	PIPE ASSY, RETURN	1	1						
16	2	124722-59050	CLIP, HOSE 9	2	2						
18	1	123907-59560	JOINT	1	1						
19	1	22190-080002	WASHER, SEAL 6	1	1						
20	1	119225-52102	PUMP ASSY, FUEL FEED	1	1						
21	1	119802-55700	SEPARATOR ASSY	1	1						
22	2	119802-55710	ELEMENT	1	1						
23	2	129100-55690	RING, RETAINING	1	1						
24	2	24321-000650	O-RING, 1AG65.0	1	1						
25	2	24311-000160	O-RING, 1AP16.0	1	1						
26	1	121750-59890	BAND, 140	1	1						

N:Old $\frac{100}{100}$ New, Q:Old $\frac{100}{100}$ New, R:Old $\frac{100}{100}$ New, S:Old $\frac{100}{100}$ New, W:Add, Z:Discontinued, F:Interchangeable by set, K:Q'ty Change
 Copyright (C) YANMAR GLOBAL CS CO., LTD. All Rights Reserved.

Fig.14. STARTING MOTOR

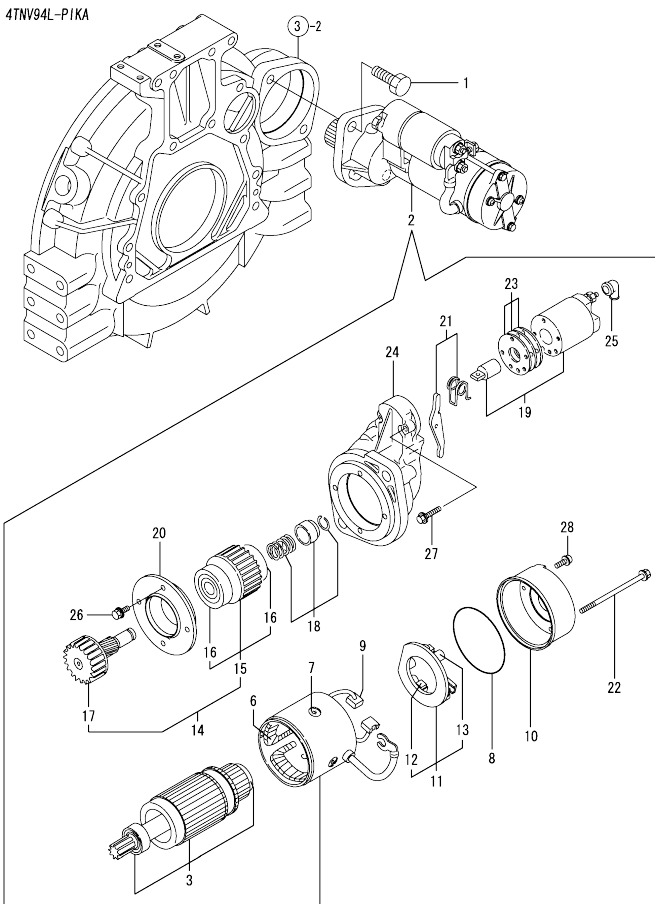


(A)=4TNV94L-PIK
(B)=4TNV94L-PIKA
(C)=

(D)=
(E)=
(F)=

No.	Lev.	Parts No.	Description	Q'ty						I	R
				(A)	(B)	(C)	(D)	(E)	(F)		
1	1	129900-77010	STARTER(2.3KW	1							
2	2	129900-77400	ARMATURE ASSY	1							
3	3	X2114155110	BEARING, BALL	1							
4	3	X2114255110	BEARING, BALL	1							
5	2	129900-77440	COIL ASSY, FIELD	1							
6	3	171008-77450	SCREW	4							
7	3	129900-77450	BRUSH (+)	2							
8	2	129900-77480	HOLDER ASSY, BRASH	1							
9	3	129900-77450	BRUSH (+)	2							
10	3	X2130631300	SPRING, BRUSH	4							
11	2	129900-77460	COVER, REAR	1							
12	2	129900-77591	SWITCH ASSY,MAGNETIC	1							
13	2	129900-77620	SHIFT LEVER SET	1							
14	2	129900-77650	COVER ASSY, DUST	1							
15	2	129900-77640	BOLT, THROUGHT	2							
16	2	129900-77700	GEAR CASE ASY	1							
17	3	129900-77510	PINION ASSY	1							
18	4	129900-77540	SHAFT, PINION	1							
19	4	129900-77550	STOPPER SET	1							
20	4	129900-77520	CLUTCH ASSY	1							
21	4	171008-77730	BALL BEARING (3)	1							
22	4	171008-77740	BALL BEARING (4)	1							
23	4	129900-77610	RETAINER, BEARING	1							
24	3	129900-77710	HOUSING, GEARS	1							
25	2	171008-77750	COVER, M TERMINAL	1							
26	1	26116-120302	BOLT, M12X 30 PLATED	2							

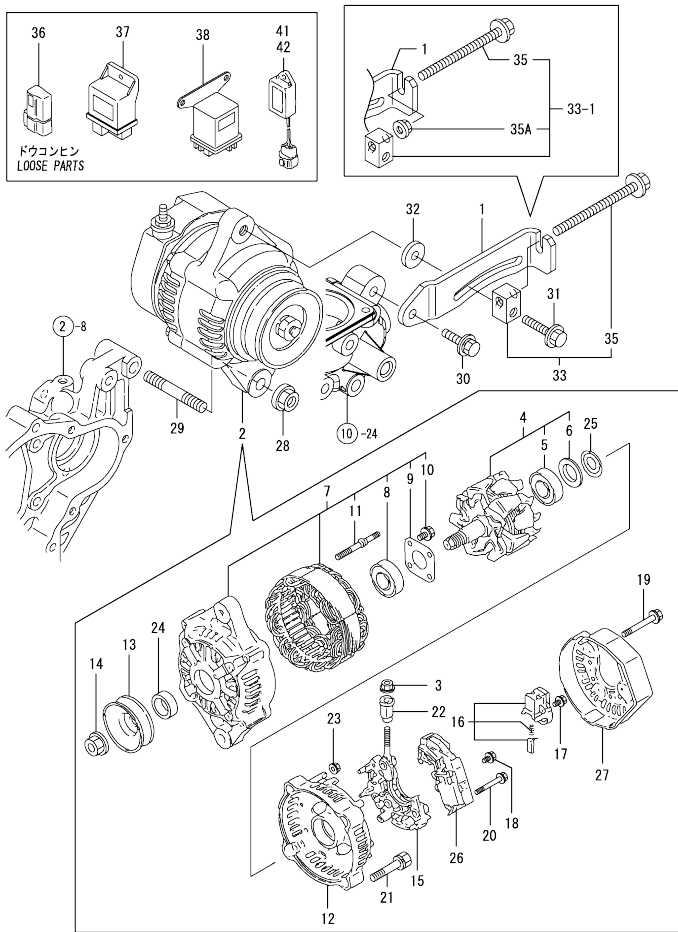
Fig.15. STARTING MOTOR



No.	Lev.	Parts No.	Description	Q'ty						
				(A)	(B)	(C)	(D)	(E)	(F)	
1	1	26116-120302	BOLT, M12X 30 PLATED		2					
2	1	129940-77010	STARTER 12V,3KW		1					
3	2	129940-77100	ARMATURE ASSY		1					
6	2	129940-77130	COIL ASSY, FIELD		1					
7	2	129940-77140	SCREW, POLE CORE SET		4					
8	2	129940-77150	O-RING		1					
9	2	129940-77160	BRUSH (+)		2					
10	2	129940-77170	COVER, REAR		1					
11	2	129940-77180	HOLDER, BRUSH		1					
12	3	129940-77200	BRUSH (-)		2					
13	3	129940-77190	SPRING, BRUSH		1					
14	2	123900-77510	PINION ASSY		1					
15	3	123900-77520	CLUTCH ASSY		1					
16	4	X2240610100	BALL BEARING (3		2					
17	3	123900-77540	SHAFT, PINION		1					
18	2	119131-77550	STOPPER KIT, PINION		1					
19	2	129940-77210	SWITCH ASSY,MAGNETIC		1					
20	2	129940-77230	RETAINER, BEARING		1					
21	2	129940-77240	SHIFT LEVER SET		1					
22	2	129940-77260	THROUGHT BOLT		2					
23	2	129940-77250	COVER ASSY, DUST		1					
24	2	129940-77220	HOUSING, GEARS		1					
25	2	121254-77810	COVER, TERMINAL		1					
26	2	129940-77270	BOLT M6X 20		4					
27	2	114371-79070	BOLT M 6X 37		2					
28	2	129940-77280	SCREW M4X 10		2					

N:Old $\frac{New}{Old}$ New, Q:Old $\frac{New}{Old}$ New, R:Old $\frac{New}{Old}$ New, S:Old $\frac{New}{Old}$ New, W:Add, Z:Discontinued, F:Interchangeable by set, K:Q'ty Change
 Copyright (C) YANMAR GLOBAL CS CO., LTD. All Rights Reserved.

Fig.16. GENERATOR

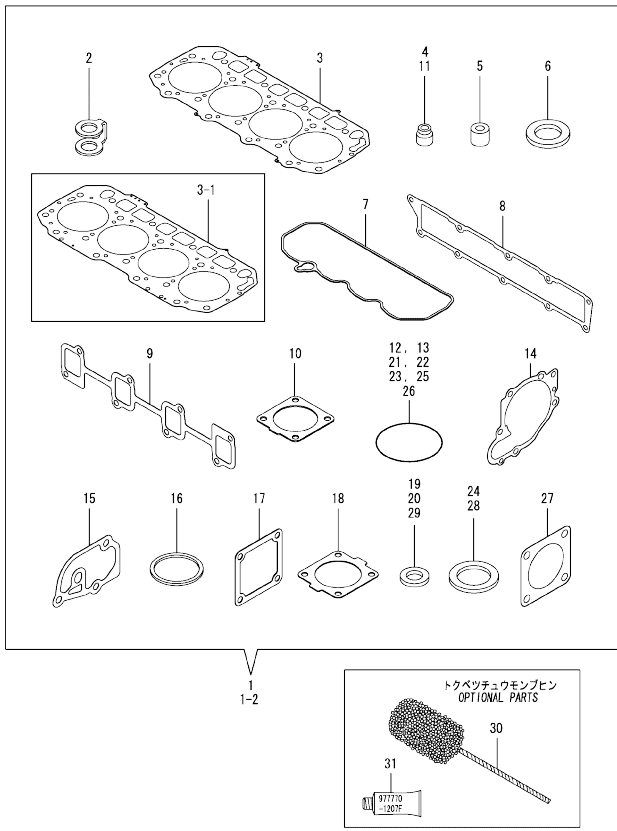


(A)=4TNV94L-PIK
(B)=4TNV94L-PIKA
(C)=

(D)=
(E)=
(F)=

No.	Lev.	Parts No.	Description	Q'ty						I	R
				(A)	(B)	(C)	(D)	(E)	(F)		
1	1	129906-77300	ADJUSTER	1	1						
2	1	129240-77200	ALTERNATOR	1	1						
3	2	129240-79310	NUT	1	1						
4	2	119620-77380	ROTOR ASSY	1	1						
5	3	126501-79240	BALL BEARING	1	1						
5-1	3	123501-79240	BEARING, BALL	1	1						N
(A=E06832) (B=E06833)											
6	3	119620-79250	COVER, BEARING	1	1						
7	2	119620-77421	FRAME ASSY, DRIVE	1	1						
8	3	119620-79200	BALL BEARING	1	1						
9	3	119620-79210	PLATE	1	1						
10	3	119620-79220	SCREW	4	4						
11	3	119620-79230	BOLT, STUD	2	2						
12	2	119620-77440	FLAME ASSY, REAR	1	1						
13	2	119620-77461	PULLEY	1	1						
14	2	119620-77471	NUT	1	1						
15	2	119620-79260	HOLDER	1	1						
16	2	129052-79270	HOLDER, BRUSH	1	1						
17	2	119620-79290	SCREW	6	6						
18	2	119620-79300	SCREW	1	1						
19	2	119620-79310	BOLT	3	3						
20	2	119620-79320	SCREW W/WASHER	2	2						
21	2	119620-79330	BOLT	2	2						
22	2	119620-79340	INSULATION BUSH	1	1						
23	2	119620-79350	NUT	2	2						
24	2	119620-77490	COLLAR	1	1						
25	2	119620-79360	WASHER, THRUST	1	1						
26	2	129240-77710	REGULATOR ASSY	1	1						
27	2	129240-79300	COVER	1	1						
28	1	26306-100002	NUT, M10	1	1						
29	1	129795-01900	STUD	1	1						
30	1	26014-080252	BOLT, M8X 25	1	1						
31	1	26106-080452	BOLT, M8X 45 PLATED	1	1						
31-1	1	26106-080552	BOLT, M8X 55 PLATED	1	1						N
(A=E06726) (B=E05698)											
32	1	121236-77340	SPACER	1	1						
33	1	119624-77350	BLOCK, ADJUSTER	1	1						
33-1	1	119624-77351	BLOCK ASSY, ADJUSTER	1	1						N
(A=E06726) (B=E05698)											
35	2	26106-081004	BOLT, M8X100 PLATED	1	1						
35A	2	26306-080002	NUT, M8	1	1						W
(A=E06726) (B=E05698)											
36	1	119643-66900	DIODE	1	1						
37	1	119802-77200	RELAY, SAFETY	1	1						
38	1	119650-77910	RELAY ASSY, GLOW	1	1						
41	1	128300-77920	TIMER	1	1						
42	1	129211-77920	TIMER	1	1						

Fig.17. GASKET SET



(A)=4TNV94L-PIK
(B)=4TNV94L-PIKA
(C)=

(D)=
(E)=
(F)=

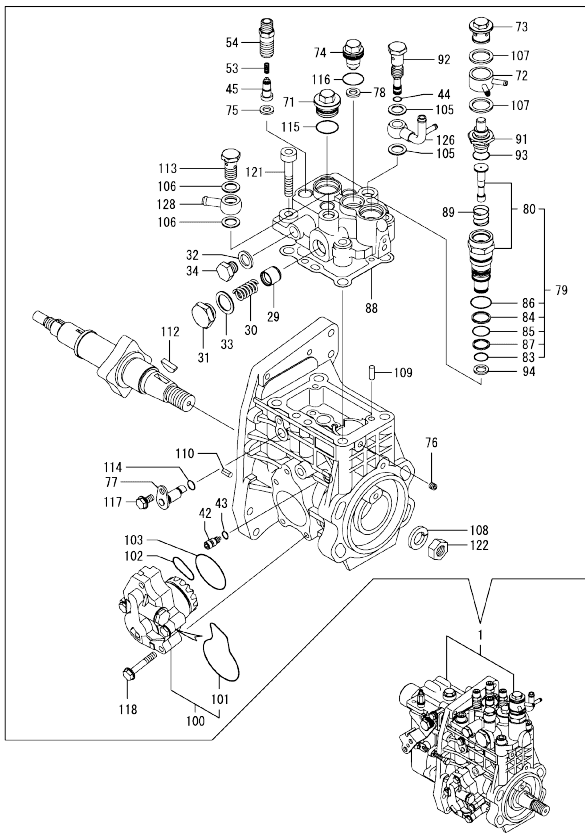
No.	Lev.	Parts No.	Description	Q'ty						I	R	
				(A)	(B)	(C)	(D)	(E)	(F)			
1	1	729906-92640	GASKET SET	1	1						1	
1-1	1	729906-92641	GASKET SET	1	1						N	1
(A=EXXXXX)												
1-2	1	129932-92610	GASKET SET	1	1						S	1
(A=*2009.12) (B=*2009.12)												
2	2	123907-59550	GASKET		5	5						
3	2	129906-01340	GASKET, HEAD	1	1							
3-1	2	129906-01350	GASKET, HEAD	1	1						S	
(A=*2009.12) (B=*2009.12)												
4	2	124160-11340	SEAL, VALVE STEM		8	8						
5	2	119802-11870	PROTECTOR, NOZZLE		4	4						
6	2	119625-11880	SEAT, NOZZLE		4	4						
7	2	129907-11310	GASKET, BONNET		1	1						
8	2	129907-12110	GASKET, MANIFOLD		1	1						
9	2	129900-13251	GASKET		1	1						
10	2	129930-13200	GASKET, SILENCER		2	2						
10-1	2	129930-13201	GASKET, SILENCER		2	2					N	
(A=E08415) (B=E07916)												
11	2	124950-11340	SEAL, VALVE STEM		8	8						
11-1	2	119803-11340	SEAL, VALVE STEM		8	8					N	
(A=E27022) (B=E26896)												
12	2	129900-32030	O-RING, P20		2	2						
13	2	129900-32040	O-RING, P14		1	1						
14	2	129900-42020	GASKET, WATER PUMP		1	1						
15	2	129900-49870	GASKET		1	1						
16	2	121850-49550	GASKET, THERMOSTAT		1	1						
17	2	121850-77021	GASKET		1	1						
18	2	121850-49540	GASKET, THERMOSTAT		1	1						
19	2	23414-080000	GASKET, 8X1.0		3	3						
20	2	124465-44950	GASKET, 16		1	1						
21	2	24311-000070	O-RING, 1AP7.0		1	1						
22	2	24311-000120	O-RING, 1AP12.0		8	8						
23	2	24311-000320	O-RING, 1AP32.0		3	3						
24	2	22190-080002	WASHER, SEAL 6		7	7						
25	2	24341-000530	O-RING, 1AS53.0		1	1						
26	2	24351-030750	O-RING, 1A3075		1	1						
27	2	124240-01883	GASKET		1	1						
28	2	22190-220002	WASHER, SEAL 22		1	1						
29	2	129150-49360	GASKET		1	1						
30	1	129400-92440	HONE		1	1						1
31	1	977770-1207F	GASKET, LIQUID		1	1						1

Remarks
(1) OPTIONAL PARTS.

Fig.18. FUEL INJECTION PUMP(INNER PART

(A)=4TNV94L-PIK
(B)=4TNV94L-PIKA
(C)=

(D)=
(E)=
(F)=



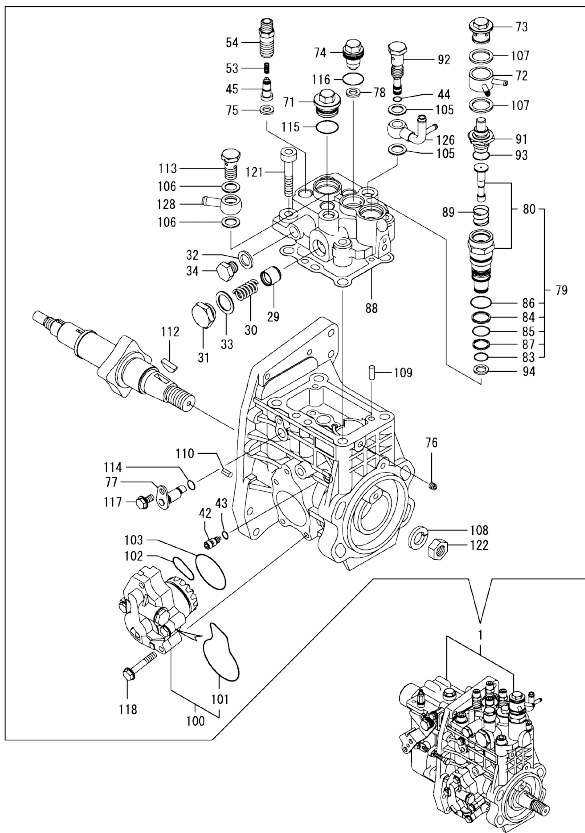
No.	Lev.	Parts No.	Description	Q'ty						I	R
				(A)	(B)	(C)	(D)	(E)	(F)		
1	1	729932-51330	PUMP ASSY, INJECTION	1	1						1
29	2	158601-51770	PISTON	1	1						
30	2	158552-51780	SPRING	1	1						
30-1	2	158552-51781	SPRING	1	1						N
		(A=EXXXXX) (B=EXXXXX)									
31	2	158601-51790	PLUG	1	1						
32	2	22190-120002	WASHER, SEAL 12	1	1						
33	2	22190-180002	WASHER, SEAL 18	1	1						
34	2	23887-120002	PLUG, 12	1	1						
42	2	158600-51270	STOPPER, TAPPET	1	1						
43	2	158563-51281	O-RING, 4D S6	1	1						
44	2	158563-51281	O-RING, 4D S6	1	1						
45	2	158560-51300	VALVE ASSY, DELIVERY	4	4						
53	2	158563-51330	SPRING, DELIVERY	4	4						
54	2	129907-51340	HOLDER, DELIVERY	4	4						
71	2	158601-51550	PLUG	1	1						
72	2	158553-51551	JOINT	1	1						
73	2	158601-51570	PLUG	1	1						
74	2	129907-51560	PLUG, BARREL	1	1						
75	2	158552-51570	GASKET	4	4						
76	2	158557-51570	PLUG	1	1						
77	2	158552-51580	LIFTER	1	1						
78	2	129906-51580	GASKET	1	1						
79	2	119802-51590	TIMER SET	1	1						
80	3	119802-51600	TIMER ASSY	1	1						
83	3	158553-51670	O-RING, 1011	1	1						
84	3	119802-51680	RING, BACK UP	1	1						
85	3	119802-51690	O-RING	1	1						
86	3	24356-010200	O-RING, 4D1020	1	1						
87	3	24372-000150	RING, BACK UP T2P15	1	1						
88	2	158560-51600	GASKET	1	1						
89	2	158553-51630	SPRING, TIMER	1	1						
91	2	158553-51640	ELEMENT	1	1						
92	2	158601-51650	JOINT, OVER FLOW	1	1						
93	2	158553-51660	O-RING, P14	1	1						
94	2	158553-51680	GASKET	1	1						
100	2	158552-52100	PUMP ASSY, FUEL FEED	1	1						
101	3	158552-52500	O-RING	1	1						
102	2	158552-52310	O-RING	1	1						
103	2	158552-52400	O-RING, 4E S42	1	1						
105	2	22190-120002	WASHER, SEAL 12	2	2						
106	2	22190-120002	WASHER, SEAL 12	2	2						
107	2	22190-180002	WASHER, SEAL 18	2	2						
108	2	22217-180000	WASHER, SPRING 18	1	1						
109	2	22312-050140	PIN, PARALLEL M5X14	2	2						
110	2	22351-050010	PIN, SPRING 5.0X10	2	2						
112	2	144626-51090	KEY, 5X19	1	1						
113	2	23857-060000	BOLT, JOINT 6	1	1						
114	2	24311-000070	O-RING, 1AP7.0	1	1						
115	2	24356-010200	O-RING, 4D1020	1	1						
116	2	24356-020210	O-RING, 4D2021	1	1						

Remarks
(1) GOVERNOR ASSY(FIG.19) IS INCORPORATED IN THIS FOP.CMP (REF.NO.1).

Fig.18. FUEL INJECTION PUMP(INNER PART

(A)=4TNV94L-PIK
(B)=4TNV94L-PIKA
(C)=

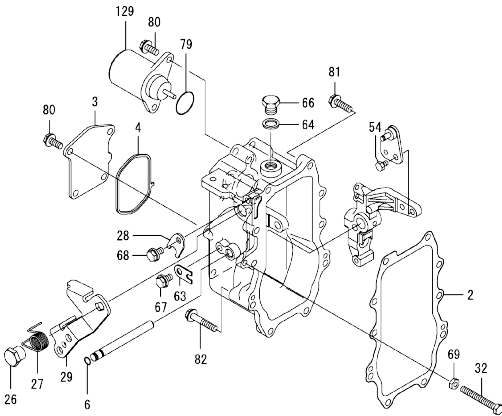
(D)=
(E)=
(F)=



No.	Lev.	Parts No.	Description	Q'ty					
				(A)	(B)	(C)	(D)	(E)	(F)
117	2	26106-060102	BOLT, M6X 10 PLATED	1	1				
118	2	26106-060352	BOLT, M6X 35 PLATED	4	4				
121	2	26450-100452	BOLT, M10X 45	4	4				
122	2	26776-180002	NUT, LOCK M18	1	1				
126	2	158552-51670	JOINT, OVER FLOW	1	1				
128	2	129916-59020	JOINT, PIPE 12	1	1				

Remarks
(1) GOVERNOR ASSY(FIG.19) IS
INCORPORATED IN THIS FOP.CMP
(REF.NO.1).

Fig.19. GOVERNOR(INNER PARTS)



(A)=4TNV94L-PIK
(B)=4TNV94L-PIKA
(C)=

(D)=
(E)=
(F)=

No.	Lev.	Parts No.	Description	Q'ty					
				(A)	(B)	(C)	(D)	(E)	(F)
2	2	158560-61050	GASKET	1	1				
3	2	158560-61061	COVER, GOVERNOR CASE	1	1				
4	2	158560-61071	GASKET	1	1				
6	2	129155-51280	O-RING, S6	1	1				
26	2	129255-61410	NUT, LOCK	1	1				
27	2	119807-61420	SPRING, RETURN	1	1				
28	2	158560-61430	RETAINER, SHAFT	1	1				
29	2	158560-61442	LEVER, REGULATOR	1	1				
32	2	129155-61460	BOLT, IDLE	1	1				
54	2	26116-060102	BOLT, M6X 10 PLATED	1	1				
63	2	119660-61901	RETAINER, SHAFT	1	1				
64	2	22190-160002	WASHER, SEAL 16	1	1				
66	2	23887-160002	PLUG, 16	1	1				
67	2	26106-060102	BOLT, M6X 10 PLATED	1	1				
68	2	26106-060102	BOLT, M6X 10 PLATED	1	1				
69	2	26756-060002	NUT, LOCK M6	1	1				
79	2	158552-61900	O-RING	1	1				
80	2	26106-060142	BOLT, M6X 14 PLATED	6	6				
81	2	26106-060252	BOLT, M6X 25 PLATED	8	8				
82	2	26106-060402	BOLT, M6X 40 PLATED	2	2				
129	2	119233-77932	SOLENOID, STOP	1	1				

Remarks
* THIS FIGURE(GOVERNOR ASSY)IS
INCORPORATED IN THE FUEL INJECTION
PUMP ASSY(FIG.18).

Parts No. Index

Parts No.	Fig. No.	Ref. No.	Parts No.	Fig. No.	Ref. No.	Parts No.	Fig. No.	Ref. No.	Parts No.	Fig. No.	Ref. No.
105025-59750	13	7	119650-77910	16	38	123900-77540	15	17	129150-11230	4	36
105582-59150	10	31	119660-61901	19	63	123907-03100	4	55			40
114250-53080	12	5	119802-11870	4	68	123907-03110	4	56	129150-11750	4	22
114250-53120	12	9		17	5	123907-03120	4	57			37
114250-53130	12	10	119802-51590	11	60	123907-03140	4	58			41
114250-53140	12	11		18	79	123907-11280	4	33	129150-14200	7	1
114250-53210	12	12	119802-51600	11	61	123907-11550	4	3	129150-25920	7	14
114250-53400	12	13		18	80	123907-11601	12	25	129150-35153	9	4
114371-79070	15	27	119802-51680	11	65	123907-11820	4	10	129150-49360	10	50
119000-35140	9	3		18	84	123907-11830	4	23		17	29
119005-12571	5	10	119802-51690	11	66	123907-25909	7	17	129150-59131	12	30
119005-44761	10	20		18	85	123907-59540	13	13			34
119130-44740	10	19	119802-55700	13	21	123907-59550	13	14	129155-51280	19	6
119130-44760	10	21	119802-55710	13	22		17	2	129155-61460	19	32
119131-18320	6	9	119802-55800	13	2	123907-59560	13	18	129211-77920	16	42
119131-77550	15	18	119802-55801	13	2 -1	124160-01751	2	35	129240-77200	16	2
119160-12060	5	15	119802-77200	16	37		4	50	129240-77710	16	26
119225-52102	13	20	119803-11340	4	19 -1	124160-11340	4	18	129240-79300	16	27
119233-77932	19	129		17	11 -1		17	4	129240-79310	16	3
119305-59120	12	27	119807-61420	19	27	124160-11360	4	65	129255-61410	19	26
119593-11301	4	28	119808-12540	5	13	124240-01871	2	36	129263-13220	6	6
119620-01750	3	14	120130-22301	8	22	124240-01883	2	37	129400-92440	17	30
119620-11180	4	17	121236-77340	16	32		17	27	129457-59010	13	4
119620-77380	16	4	121252-39450	9	12	124411-01780	3	6	129486-59551	13	15
119620-77421	16	7	121254-77810	15	25	124450-44550	10	53	129550-59120	12	31
119620-77440	16	12	121256-44600	10	54	124450-44560	10	58	129795-01900	16	29
119620-77461	16	13	121450-42450	10	52	124465-44950	10	41	129900-01200	1	31
119620-77471	16	14	121450-44531	10	57		17	20	129900-01250	1	5
119620-77490	16	24	121470-44581	10	59	124722-59050	10	45	129900-01740	2	6
119620-79200	16	8	121520-34810	9	2			48	129900-01780	2	4
119620-79210	16	9	121750-59890	13	26		13	16	129900-01850	2	39
119620-79220	16	10	121850-21130	8	12	124766-59050	13	5	129900-01870	2	40
119620-79230	16	11	121850-21290	8	5			9	129900-02020	1	7
119620-79250	16	6	121850-21680	8	10	124950-11340	4	19	129900-02340	1	34
119620-79260	16	15	121850-21920	8	6		17	11	129900-02341	1	34 -1
119620-79290	16	17	121850-49540	10	26	126501-79240	16	5	129900-02410	1	10
119620-79300	16	18		17	18	126650-12680	5	14	129900-02930	1	28
119620-79310	16	19	121850-49550	10	27	128300-77920	16	41	129900-02931	1	28 -1
119620-79320	16	20		17	16	129001-91810	2	24	129900-02940	1	37
119620-79330	16	21	121850-49810	10	29			25	129900-02941	1	37 -1
119620-79340	16	22	121850-77021	5	5	129004-55610	13	1	129900-12530	5	12
119620-79350	16	23		17	17	129004-55611	13	1 -1	129900-13251	6	3
119620-79360	16	25	122780-59100	12	26	129004-55612	13	1 -2		17	9
119624-77350	16	33	123501-79240	16	5 -1	129005-59830	9	17	129900-14100	7	7
119624-77351	16	33 -1	123900-13610	6	7	129052-79270	16	16	129900-21200	8	4
119625-11880	4	26	123900-13630	6	5	129062-12560	5	11	129900-21600	8	15
	17	6	123900-13640	6	4	129100-01580	2	5	129900-23000	8	24
119640-01640	3	8	123900-25060	7	10		3	1	129900-23001	8	24 -1
119640-61400	4	62	123900-77510	15	14	129100-55690	13	23	129900-23200	8	29
119643-66900	16	36	123900-77520	15	15	129150-02450	7	4	129900-23600	8	30

Parts No. Index

Parts No.	Fig. No.	Ref. No.	Parts No.	Fig. No.	Ref. No.	Parts No.	Fig. No.	Ref. No.	Parts No.	Fig. No.	Ref. No.
129900-23601	8	30 -1	129907-01500	2	8	129907-51560	18	74	129957-59120	13	6
129900-23610	8	32	129907-01950	11	130	129907-59140	13	12	129960-21640	8	8
129900-23611	8	32 -1	129907-01960	11	131	129907-59710	12	35	129980-59510	13	11
129900-23910	8	28	129907-03010	4	52	129907-59810	12	37	129981-59010	13	8
129900-23911	8	28 -1	129907-03060	4	53	129907-59820	12	38	144626-51090	11	10
129900-25100	7	11	129907-03061	4	53 -1	129907-59830	12	39		18	112
129900-32001	2	11	129907-03070	4	54	129907-59840	12	40	158552-51570	11	55
129900-32030	2	22	129907-07900	4	1	129908-14581	7	3 -1		18	75
	9	5	129907-11100	4	14	129915-77050	5	6	158552-51580	11	59
	17	12	129907-11110	4	15	129916-01710	3	7		18	77
129900-32040	2	23	129907-11120	4	16	129916-12500	5	8	158552-51670	11	126
	17	13	129907-11250	4	30	129916-12510	5	9		18	126
129900-42020	10	11	129907-11260	4	31	129916-21590	8	13	158552-51780	18	30
	17	14	129907-11270	4	32	129916-21610	8	10 -1	158552-51781	11	97
129900-42461	10	15	129907-11310	4	61	129916-22950	8	36 -1		18	30 -1
129900-49870	10	37		17	7	129916-44740	10	18	158552-52100	11	103
	17	15	129907-11320	4	51	129916-49530	10	25		18	100
129900-77010	14	1	129907-11341	4	29	129916-59020	11	128	158552-52310	11	105
129900-77400	14	2	129907-11510	4	20		18	128		18	102
129900-77440	14	5	129907-11650	4	34	129930-13200	6	10	158552-52400	11	106
129900-77450	14	7	129907-11660	4	38		17	10		18	103
		9	129907-11700	4	4		17	10	158552-52500	11	104
129900-77460	14	11	129907-11800	4	8	129930-13201	6	10 -1		18	101
129900-77480	14	8	129907-11910	4	47		16	-1	158552-61900	19	79
129900-77510	14	17	129907-11920	4	42		17	10 -1	158553-51551	11	52
129900-77520	14	20	129907-11950	4	48	129930-42450	10	14		18	72
129900-77540	14	18	129907-12100	5	1	129932-92610	17	1 -2	158553-51630	11	70
129900-77550	14	19	129907-12110	5	2	129940-77010	15	2		18	89
129900-77591	14	12		17	8	129940-77100	15	3	158553-51640	11	72
129900-77610	14	23	129907-13200	6	2	129940-77130	15	6		18	91
129900-77620	14	13	129907-13210	6	1	129940-77140	15	7	158553-51660	11	74
129900-77640	14	15	129907-13500	6	18	129940-77150	15	8		18	93
129900-77650	14	14	129907-13510	6	11	129940-77160	15	9	158553-51670	11	64
129900-77700	14	16	129907-13690	6	12	129940-77170	15	10		18	83
129900-77710	14	24	129907-14400	7	2	129940-77180	15	11	158553-51680	11	75
129902-21000	8	1	129907-14581	7	3	129940-77190	15	13		18	94
129906-01340	1	32	129907-21650	8	9	129940-77200	15	12	158557-51570	11	56
	17	3	129907-25900	7	17 -1	129940-77210	15	19		18	76
129906-01350	1	32 -1	129907-39061	9	13	129940-77220	15	24	158560-51300	11	22
	17	3 -1	129907-42000	10	1	129940-77230	15	20		18	45
129906-22050	8	18	129907-49610	10	42	129940-77240	15	21	158560-51600	11	69
129906-22080	8	16	129907-49620	10	46	129940-77250	15	23		18	88
129906-22090	8	16 -1	129907-49710	10	43	129940-77260	15	22	158560-61050	19	2
129906-22900	8	34 -1	129907-49720	10	47	129940-77270	15	26	158560-61061	19	3
129906-22910	8	34 -2	129907-49730	10	28	129940-77280	15	28	158560-61071	19	4
129906-51580	11	58	129907-49750	10	44	129950-59221	13	10	158560-61430	19	28
	18	78	129907-49800	10	24	129953-01620	3	2	158560-61442	19	29
129906-53000	12	2	129907-51340	11	31	129953-25300	7	16	158563-51150	7	18
129906-77300	16	1		18	54	129953-34830	9	1	158563-51281	11	20
129907-01190	1	33	129907-51560	11	54	129953-35000	9	6			21

Parts No. Index

Parts No.	Fig. No.	Ref. No.
158563-51281	18	43
		44
158563-51330	11	30
	18	53
158600-51270	11	19
	18	42
158601-51550	11	53
	18	71
158601-51570	11	57
	18	73
158601-51650	11	73
	18	92
158601-51770	11	96
	18	29
158601-51790	11	98
	18	31
171008-77450	14	6
171008-77730	14	21
171008-77740	14	22
171008-77750	14	25
171031-11741	2	44
171051-01921	1	6
171056-49120	10	51
171056-49351	10	49
171064-44510	10	55
22190-080002	9	18
		20
		22
	13	19
	17	24
22190-120002	11	99
		108
		109
	18	32
		105
		106
22190-160002	19	64
22190-180002	11	100
		110
	18	33
		107
22190-220002	3	10
	17	28
22217-180000	7	19
	11	111
	18	108
22252-000300	8	23
22312-050140	11	112
	18	109
22351-050010	11	113

Parts No.	Fig. No.	Ref. No.
22351-050010	18	110
22351-060012	1	11
22512-070140	7	8
	8	7
22857-500100	4	63
		64
23065-070225	10	60
23387-040800	10	32
23414-080000	10	33
		38
	17	19
23857-030000	9	19
23857-060000	11	114
	18	113
23875-030000	10	34
23876-020000	4	11
23876-030000	1	12
		13
		14
	4	12
23887-120002	11	101
	18	34
	19	66
23887-160002	2	26
24311-000070	11	115
	17	21
	18	114
24311-000120	4	27
		66
	17	22
24311-000160	13	25
24311-000320	2	43
		45
	4	67
	17	23
24321-000650	13	24
24341-000530	8	11
	17	25
24351-030750	2	27
	17	26
24356-010200	11	67
		116
	18	86
		115
24356-020210	11	117
	18	116
24372-000150	11	68
	18	87
25132-004100	10	17
25132-004150	10	16

Parts No.	Fig. No.	Ref. No.
26014-080252	16	30
26106-060102	11	118
	18	117
	19	67
		68
26106-060122	10	35
		35 -1
26106-060142	19	80
26106-060162	12	41
26106-060202	10	36
26106-060252	19	81
26106-060302	10	12
26106-060352	11	119
	18	118
26106-060402	19	82
26106-080122	3	11
	9	11
		21
		23
	10	39
26106-080162	2	28
		29
		38
		41
	4	2
	7	9
	9	24
	11	132
26106-080182	12	42
26106-080202	2	30
	6	14
26106-080222	11	133
		134
26106-080252	6	17
26106-080302	10	23
	13	3
26106-080352	5	7
26106-080402	2	31
	4	32
		44
26106-080452	2	33
	10	22
	16	31
26106-080552	5	3
	7	15
	10	13
	16	31 -1
26106-080602	4	45
		46
	10	40

Parts No.	Fig. No.	Ref. No.
26106-080852	5	4
26106-081004	16	35
26106-100202	11	135
26116-060102	19	54
26116-120302	14	26
	15	1
26206-100352	3	5
26206-100702	3	13
26216-100302	2	10
26226-080222	4	43
26306-080002	4	49
	6	8
		13
		15
	16	35 A
26306-100002	2	34
	16	28
26450-100452	11	122
	18	121
26756-060002	19	69
26776-180002	7	20
	11	123
	18	122
27241-300000	1	15
27241-400000	4	13
27310-070001	4	24
729900-02800	1	25
729900-02801	1	25 -1
729906-01560	1	1
729906-22900	8	34
729906-22950	8	36
729906-53100	12	1
729906-92640	17	1
729906-92641	17	1 -1
729907-01550	2	1
729932-51330	11	1
	18	1
977770-1207F	2	42
	3	12
	4	69
	17	31
X2114155110	14	3
X2114255110	14	4
X2130631300	14	10
X2240610100	15	16