

0CW10-M85400EN

# P R E F A C E

1. This parts catalog is the 1st edition of 4TNV94L-PLK, 4TNV94L-PLK2 for LONKING.

Pub. No. : 0CW10-G85400

Published : July, 2013

2. Model name

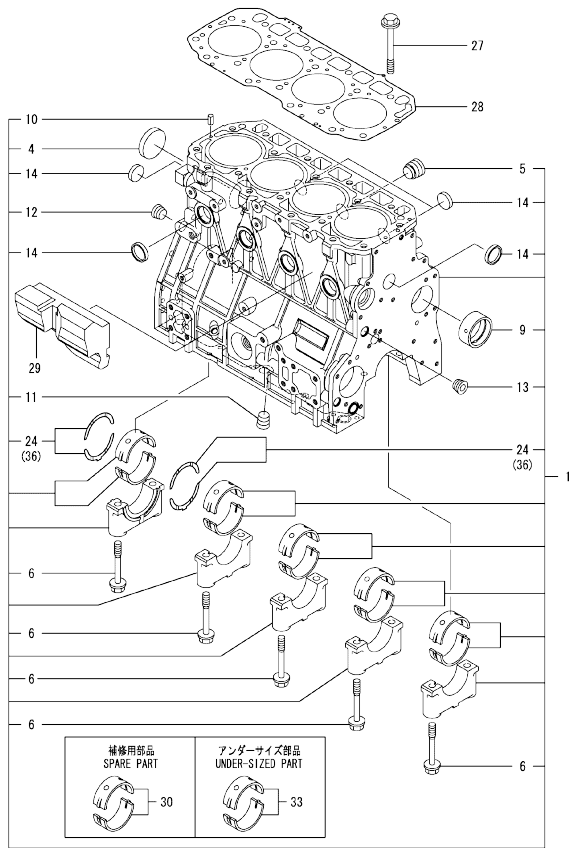
Engine model	Vehicle	Vehicle made by
4TNV94L-PLK 4TNV94L-PLK2	MINI EXCAVATOR	LONKING

## Contents

0CW10-M85400

Fig. No.	Fig. Name	Fig. No.	Fig. Name
4TNV94L-PLK,4TNV94L-PLK2			
1.	CYLINDER BLOCK		
2.	GEAR HOUSING		
3.	FLYWHEEL HOUSING & OIL SUMP		
4.	CYLINDER HEAD & BONNET		
5.	SUCTION MANIFOLD & AIR CLEANER		
6.	EXHAUST MANIFOLD & SILENCER		
7.	CAMSHAFT & DRIVING GEAR		
8.	CRANKSHAFT & PISTON		
9.	LUB. OIL SYSTEM		
10.	COOLING WATER SYSTEM		
11.	COOLING WATER SYSTEM		
12.	FUEL INJECTION PUMP		
13.	GOVERNOR		
14.	FUEL INJECTION VALVE		
15.	FUEL LINE		
16.	STARTING MOTOR		
17.	GENERATOR		
18.	GASKET SET		

Fig.1. CYLINDER BLOCK



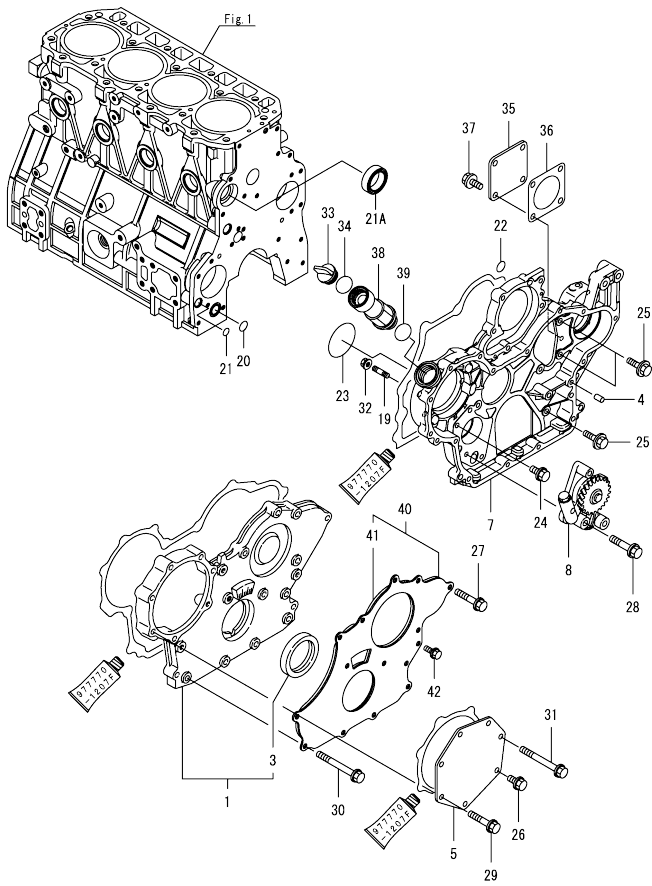
(A)=4TNV94L-PLK  
(B)=4TNV94L-PLK2  
(C)=

(D)=  
(E)=  
(F)=

No.	Lev.	Parts No.	Description	Q'ty						I	R
				(A)	(B)	(C)	(D)	(E)	(F)		
1	1	729906-01561	BLOCK ASSY, CYLINDER	1	1						
4	2	129900-01250	PLUG, DISH TYPE 55	1	1						
5	2	171051-01921	PLUG, NPTF1	1	1						
6	2	129900-02020	BOLT, METAL CAP	10	10						
9	2	129900-02410	BUSH, CAMSHAFT	1	1						
10	2	22351-060012	PIN, SPRING 6.0X12	2	2						
11	2	23876-030000	PLUG, R03	1	1						
12	2	23876-030000	PLUG, R03	1	1						
13	2	23876-030000	PLUG, R03	1	1						
14	2	27241-300000	PLUG 30	8	8						
24	2	129900-02931	BEARING ASSY, THRUST	2	2						
27	1	129900-01200	BOLT, CYLINDER HEAD	18	18						
28	1	129906-01350	GASKET, HEAD	1	1						
29	1	129907-01190	SPACER	1	1						
30	1	729900-02801	BEARING, MAIN	5	5						1
33	1	129900-02341	BEARING ASSY, MAIN	5	5						2
36	1	129900-02941	BEARING, THRUST 0.25	2	2						3

Remarks  
 (1)Spare part.  
 (2)Under-sized(U.S.=0.25)part.  
 (3)Over-sized(O.S.=0.25)part.

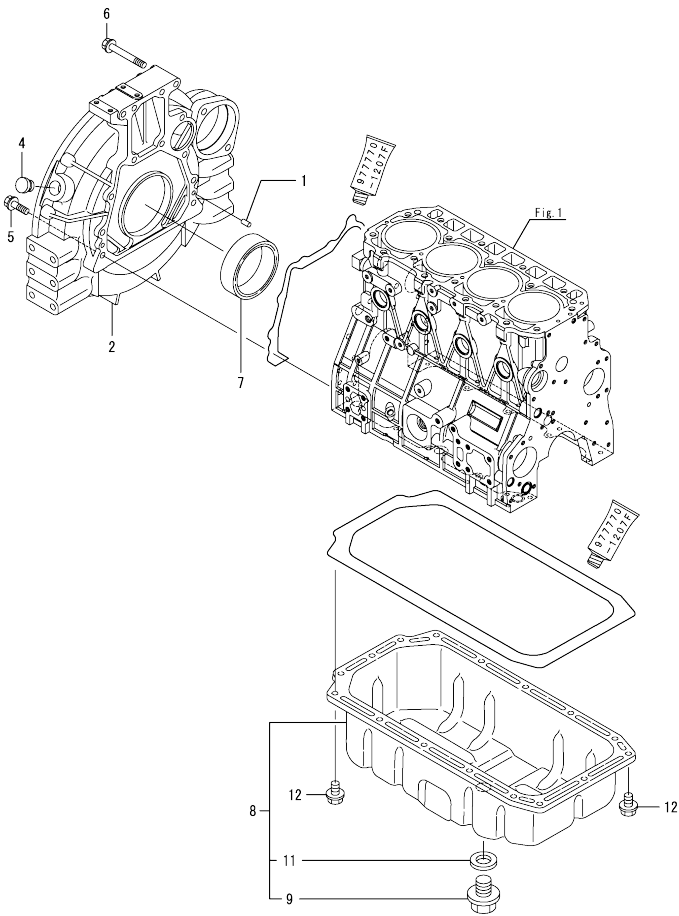
Fig.2. GEAR HOUSING



No.	Lev.	Parts No.	Description	Q'ty						I	R
				(A)	(B)	(C)	(D)	(E)	(F)		
1	1	729907-01559	COVER ASSY,GEAR CASE	1	1						
3	2	129916-01800	SEAL, OIL	1	1						
4	1	129100-01580	PIN, PARALLEL 8X16	4	4						
5	1	129951-01740	COVER	1	1						
7	1	129907-01500	CASE, GEAR	1	1						
8	1	129900-32001	PUMP ASSY, OIL	1	1						
19	1	26216-100302	STUD, M10X 30	4	4						
20	1	129900-32030	O-RING, P20	1	1						
21	1	129900-32040	O-RING, P14	1	1						
21A	1	129927-42140	GASKET, PUMP OUTLET	1	1						W
		(A=*2014.09)	(B=*2014.09)								
22	1	24311-000070	O-RING, 1AP7.0	1	1						
23	1	24351-030750	O-RING, 1A3075	1	1						
24	1	26106-080162	BOLT, M8X 16 PLATED	1	1						
25	1	26106-080202	BOLT, M8X 20 PLATED	3	3						
26	1	26106-080202	BOLT, M8X 20 PLATED	1	1						
27	1	26106-080402	BOLT, M8X 40 PLATED	5	5						
28	1	26106-080452	BOLT, M8X 45 PLATED	3	3						
29	1	26106-080452	BOLT, M8X 45 PLATED	5	5						
30	1	26106-080702	BOLT, M8X 70 PLATED	6	6						
31	1	26106-080752	BOLT, M8X 75 PLATED	1	1						
32	1	26306-100002	NUT, M10	4	4						
33	1	124160-01751	CAP, FILLER	1	1						
34	1	24311-000320	O-RING, 1AP32.0	1	1						
35	1	124240-01871	COVER, PUMP	1	1						
36	1	129C26-01890	GASKET, HO-P	1	1						
37	1	26106-080162	BOLT, M8X 16 PLATED	4	4						
38	1	171031-11741	PIPE	1	1						
39	1	24311-000320	O-RING, 1AP32.0	1	1						
40	1	129900-01850	COVER ASSY,GEAR CASE	1	1						
41	2	129900-01870	SPONGE, GEAR CASE	1	1						
42	1	26106-080162	BOLT, M8X 16 PLATED	3	3						

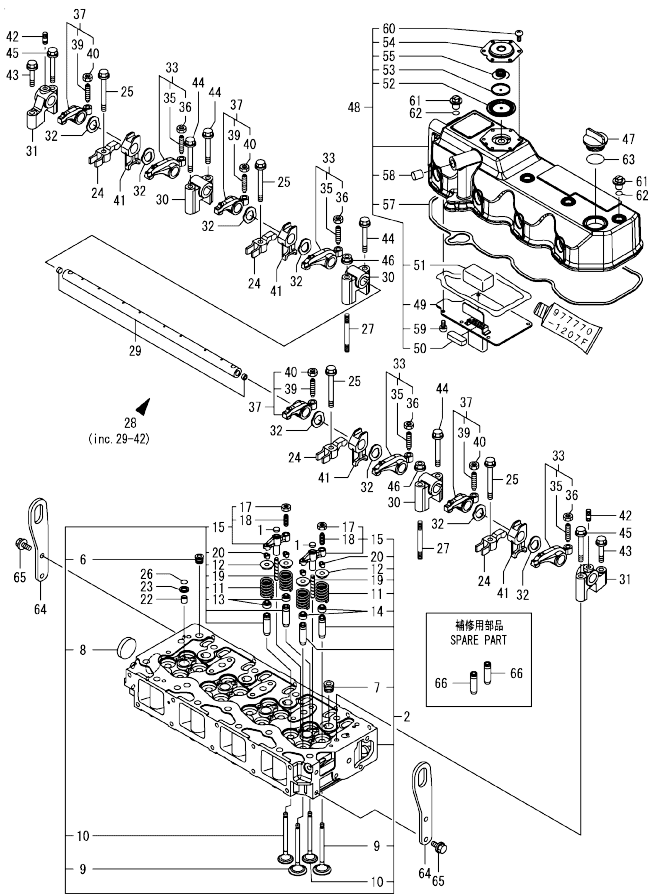
N:Old  $\frac{100}{100}$  New, Q:Old  $\frac{100}{100}$  New, R:Old  $\frac{100}{100}$  New, S:Old  $\frac{100}{100}$  New, W:Add, Z:Discontinued, F:Interchangeable by set, K:Q'ty Change  
 Copyright (C) 2013 YANMAR GLOBAL CS CO., LTD. All Rights Reserved.

Fig.3. FLYWHEEL HOUSING & OIL SUMP



No.	Lev.	Parts No.	Description	Q'ty					
				(A)	(B)	(C)	(D)	(E)	(F)
1	1	129100-01580	PIN, PARALLEL 8X16	2	2				
2	1	129900-01620	HOUSING, FLYWHEEL	1	1				
4	1	119620-01750	CAP	1	1				
5	1	26206-100352	BOLT, M10X 35 PLATED	9	9				
6	1	26206-100702	BOLT, M10X 70 PLATED	4	4				
7	1	124411-01780	SEAL, HTC95X115X12	1	1				
8	1	129916-01710	OIL PAN ASSY	1	1				
9	2	119640-01640	PLUG, DRAIN M22	1	1				
11	2	22190-220002	WASHER, SEAL 22	1	1				
12	1	26106-080122	BOLT, M8X 12 PLATED	16	16				

Fig.4. CYLINDER HEAD & BONNET



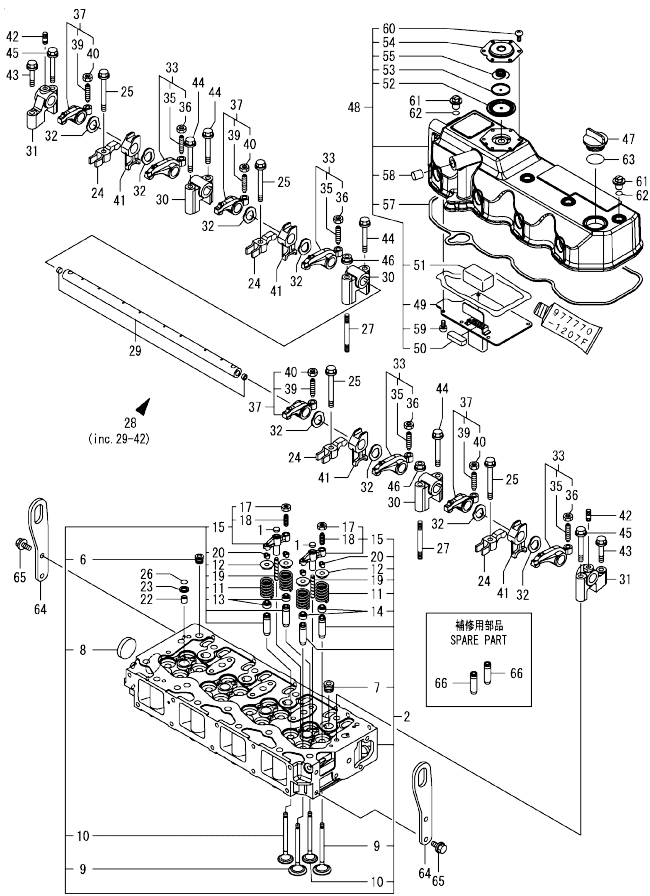
(A)=4TNV94L-PLK  
(B)=4TNV94L-PLK2  
(C)=

(D)=  
(E)=  
(F)=

No.	Lev.	Parts No.	Description	Q'ty						I	R
				(A)	(B)	(C)	(D)	(E)	(F)		
1	1	123907-11550	SEAT, VALVE BRIDGE	8	8						
2	1	129907-11700	HEAD ASSY, CYLINDER	1	1						
6	2	23876-020000	PLUG, R02	1	1						
7	2	23876-030000	PLUG, R03	4	4						
8	2	27241-400000	PLUG, 40	1	1						
9	2	129907-11100	VALVE, SUCTION	8	8						
10	2	129907-11110	VALVE, EXHAUST	8	8						
11	2	129907-11120	SPRING, VALVE	16	16						
12	2	119620-11180	RETAINER, SPRING	16	16						
13	2	119803-11340	SEAL, VALVE STEM	8	8						
14	2	124160-11340	SEAL, VALVE STEM	8	8						
15	2	129907-11510	BRIDGE ASSY, VALVE	8	8						
17	3	129150-11750	NUT, M8	8	8						
18	3	123907-11830	ADJUSTER	8	8						
19	2	123907-11820	GUIDE, BRIDGE	8	8						
20	2	27310-070001	COTTER, 7	16	16						
22	1	119802-11870	PROTECTOR, NOZZLE	4	4						
23	1	119625-11880	SEAT, NOZZLE	4	4						
24	1	129907-11910	RETAINER, NOZZLE	4	4						
25	1	129907-11950	BOLT, M8X75	4	4						
26	1	24311-000120	O-RING, 1AP12.0	4	4						
27	1	119593-11301	BOLT, STUD M8X80	2	2						
28	1	129907-11341	SHAFT ASSY, ROCKER	1	1						
29	2	129907-11250	SHAFT, ROCKER ARM	1	1						
30	2	129907-11260	SUPPORT, ROCKER ARM	3	3						
31	2	129907-11270	SUPPORT, ROCKER ARM	2	2						
32	2	123907-11280	WASHER	8	8						
33	2	129907-11650	ARM ASSY, ROCKER	4	4						
35	3	129150-11230	SCREW, VALVE ADJUST	4	4						
36	3	129150-11750	NUT, M8	4	4						
37	2	129907-11660	ARM ASSY, ROCKER	4	4						
39	3	129150-11230	SCREW, VALVE ADJUST	4	4						
40	3	129150-11750	NUT, M8	4	4						
41	2	129907-11920	RETAINER, NOZZLE	4	4						
42	2	26226-080222	STUD, M8X 22	2	2						
43	1	26106-080402	BOLT, M8X 40 PLATED	2	2						
44	1	26106-080602	BOLT, M8X 60 PLATED	4	4						
45	1	26106-080602	BOLT, M8X 60 PLATED	2	2						
46	1	26306-080002	NUT, M8	2	2						
47	1	124160-01751	CAP, FILLER	1	1						
48	1	129907-11321	BONNET ASSY, HEAD	1	1						
49	2	129907-03011	PLATE, BAFFLE	1	1						
50	2	129907-03061	BAFFLE, BREATHER	1	1						
51	2	129907-03070	BAFFLE, BREATHER	1	1						
52	2	123907-03100	DIAPHRAGM	1	1						
53	2	123907-03110	PLATE	1	1						
54	2	123907-03120	PLATE, BREATHER	1	1						
55	2	123907-03140	SPRING, DIAPHRAGM	1	1						
57	2	129933-11310	GASKET, BONNET	1	1						
58	2	119640-61400	PLUG	1	1						
59	2	22857-500100	SCREW, 5X10	6	6						

Remarks  
(1)Spare part.

Fig.4. CYLINDER HEAD & BONNET



(A)=4TNV94L-PLK  
(B)=4TNV94L-PLK2  
(C)=

(D)=  
(E)=  
(F)=

No.	Lev.	Parts No.	Description	Q'ty						I	R
				(A)	(B)	(C)	(D)	(E)	(F)		
60	2	22857-500100	SCREW, 5X10	6	6						
61	1	124160-11360	KNOB	4	4						
62	1	24311-000120	O-RING, 1AP12.0	4	4						
63	1	24311-000320	O-RING, 1AP32.0	1	1						
64	1	129907-07900	LIFTER, ENGINE	2	2						
65	1	26106-080162	BOLT, M8X 16 PLATED	4	4						
66	1	129907-11800	GUIDE, VALVE	16	16						1

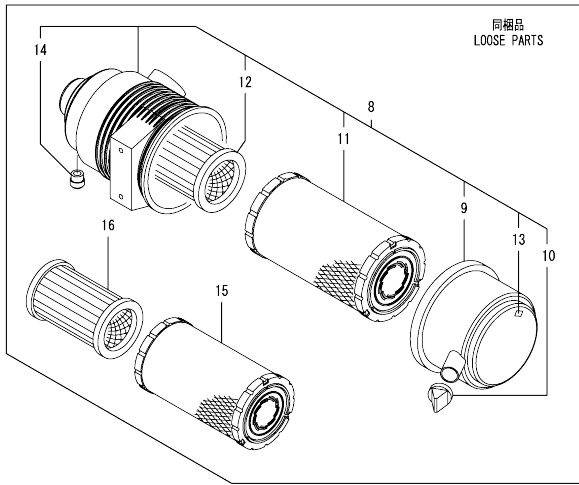
Remarks  
(1)Spare part.



Fig.5. SUCTION MANIFOLD & AIR CLEANER

(A)=4TNV94L-PLK  
(B)=4TNV94L-PLK2  
(C)=

(D)=  
(E)=  
(F)=



No.	Lev.	Parts No.	Description	Q'ty						I	R
				(A)	(B)	(C)	(D)	(E)	(F)		
1	1	129907-12110	GASKET, MANIFOLD	1	1						
2	1	129944-12111	MANIFOLD, AIR INTAKE	1	1						
3	1	26106-080452	BOLT, M8X 45 PLATED	8	8						
4	1	26106-080802	BOLT, M8X 80 PLATED	2	2						
5	1	121850-77021	GASKET, AIR HEATER	1	1						
6	1	129915-77051	HEATER, AIR 12V	1	1						
7	1	26106-080352	BOLT, M8X 35 PLATED	4	4						
8	1	129944-12500	AIR CLEANER ASSY	1	1						
9	2	129900-12530	COVER ASSY	1	1						
10	2	119808-12540	VALVE, UNLOAD	1	1						
11	2	129062-12560	ELEMENT	1	1						
12	2	119005-12571	ELEMENT, INNER	1	1						
13	2	129612-12650	LABEL, MARKING	1	1						
14	2	119140-12680	INDICATOR, CLEANER	1	1						
15	1	129906-12520	ELEMENT, AIR CLEANER	1	1						
16	1	119005-12571	ELEMENT, INNER	1	1						

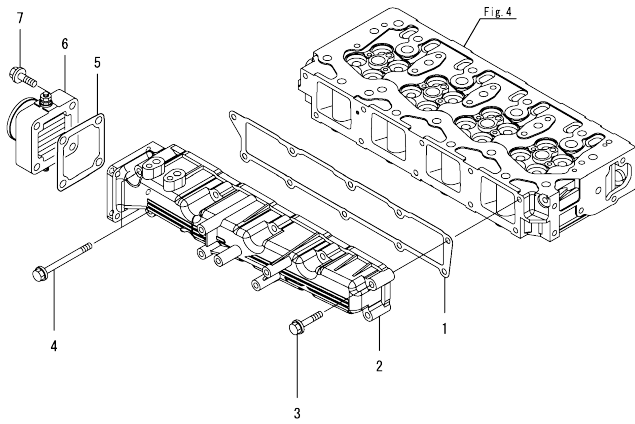
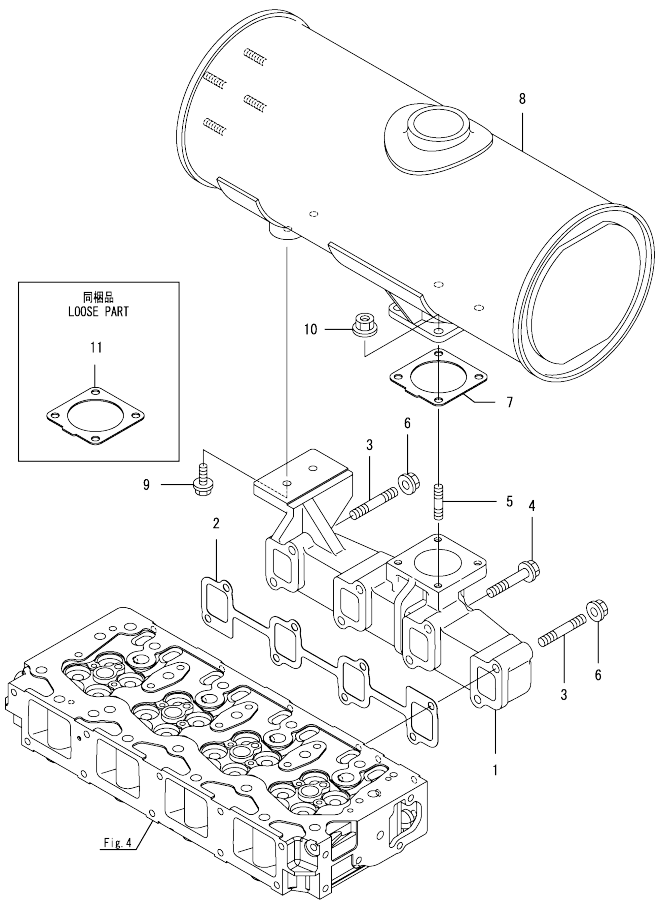


Fig.6. EXHAUST MANIFOLD & SILENCER

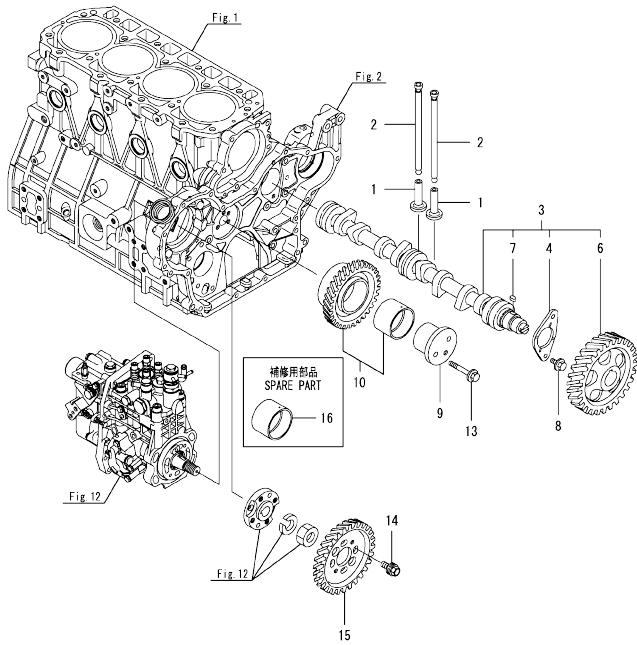


(A)=4TNV94L-PLK  
(B)=4TNV94L-PLK2  
(C)=

(D)=  
(E)=  
(F)=

No.	Lev.	Parts No.	Description	Q'ty						I	R
				(A)	(B)	(C)	(D)	(E)	(F)		
1	1	129907-13201	MANIFOLD, EXHAUST	1	1						
2	1	129900-13251	GASKET, EXH.MANIFOLD	1	1						
3	1	123900-13610	BOLT, STUD M8X80	2	2						
4	1	123900-13630	BOLT, M8X80	6	6						
5	1	119131-18320	BOLT, STUD M8X22	4	4						
6	1	26306-080002	NUT, M8	2	2						
7	1	129930-13201	GASKET, SILENCER	1	1						
8	1	129907-13500	SILENCER	1	1						
9	1	26106-080252	BOLT, M8X 25 PLATED	2	2						
10	1	26306-080002	NUT, M8	4	4						
11	1	129930-13201	GASKET, SILENCER	1	1						

Fig.7. CAMSHAFT & DRIVING GEAR



(A)=4TNV94L-PLK  
(B)=4TNV94L-PLK2  
(C)=

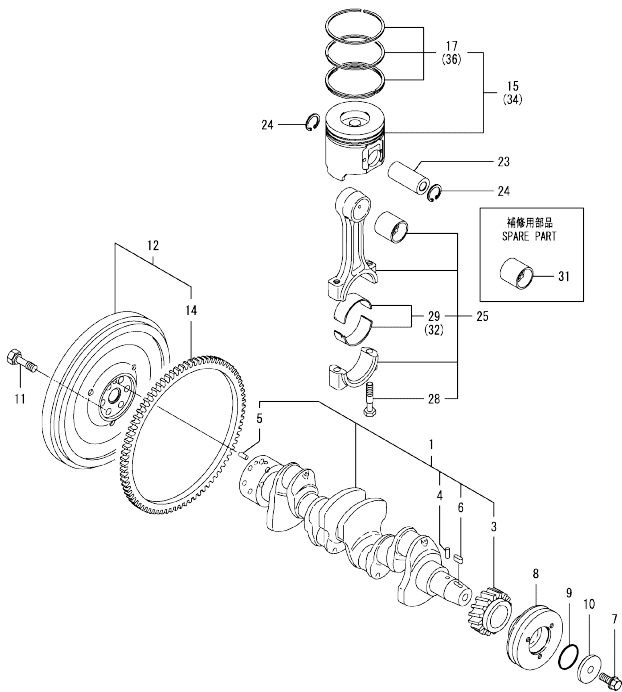
(D)=  
(E)=  
(F)=

No.	Lev.	Parts No.	Description	Q'ty						I	R	
				(A)	(B)	(C)	(D)	(E)	(F)			
1	1	129150-14200	TAPPET		8	8						
2	1	129907-14400	PUSH-ROD		8	8						
3	1	129908-14581	CAMSHAFT ASSY		1	1						
4	2	129150-02450	BEARING, THRUST		1	1						
6	2	129900-14100	GEAR, CAMSHAFT		1	1						
7	2	22512-070140	KEY, 7X 14		1	1						
8	1	26106-080162	BOLT, M8X 16 PLATED		2	2						
9	1	123900-25060	SHAFT, IDLE GEAR		1	1						
10	1	129900-25100	GEAR ASSY, IDLE		1	1						
13	1	26106-080552	BOLT, M8X 55 PLATED		3	3						
14	1	129953-25300	BOLT		4	4						
15	1	129907-25900	GEAR, PUMP		1	1						
16	1	129150-25920	BUSH, IDLE GEAR		1	1						1

Remarks  
(1)Spare part.

0CW10-M85400 4TNV94L-PLK,4TNV94L-PLK2  
 Fig.8. CRANKSHAFT & PISTON

0CW10-M85400 Fig.8



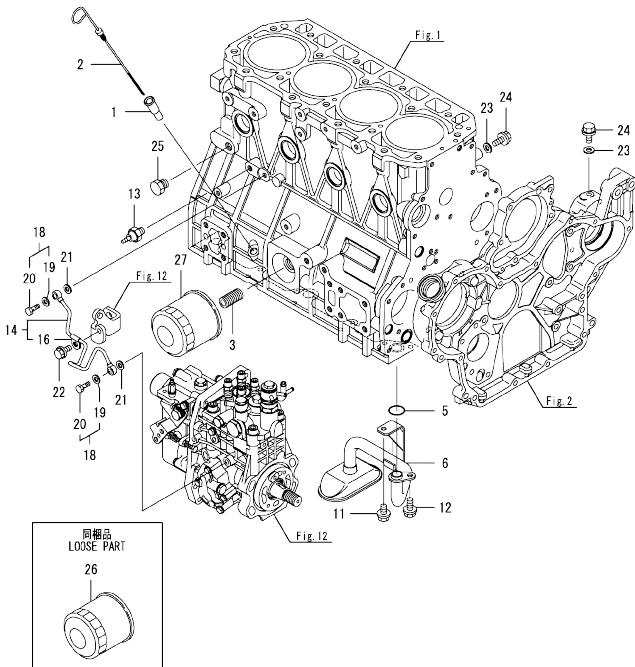
(A)=4TNV94L-PLK  
 (B)=4TNV94L-PLK2  
 (C)=

(D)=  
 (E)=  
 (F)=

No.	Lev.	Parts No.	Description	Q'ty						I	R
				(A)	(B)	(C)	(D)	(E)	(F)		
1	1	129902-21000	CRANKSHAFT ASSY	1	1						
3	2	129900-21200	GEAR, CRANKSHAFT	1	1						
4	2	121850-21290	PIN	1	1						
5	2	121850-21920	PIN, PARALLEL 10X22	1	1						
6	2	22512-070140	KEY, 7X 14	1	1						
7	1	129916-21610	BOLT	1	1						
8	1	129907-21650	V-PULLEY, CRANK 130	1	1						
9	1	129960-21930	GASKET, WASHER	1	1						
10	1	129960-21940	WASHER, V-PULLEY	1	1						
11	1	121850-21130	BOLT, FLYWHEEL	6	6						
12	1	129916-21590	FLYWHEEL ASSY	1	1						
14	2	129900-21600	GEAR, RING	1	1						
15	1	129906-22090	PISTON ASSY	4	4						
17	2	129906-22050	RING SET, PISTON	4	4						
23	1	120130-22301	PIN, PISTON	4	4						
24	1	22252-000300	RING, 30	8	8						
25	1	129900-23001	ROD ASSY, CONNECTING	4	4						
28	2	129900-23200	BOLT, CONNECTING ROD	8	8						
29	2	129900-23601	BEARING, CRANK PIN	4	4						
31	1	129900-23911	BEARING, PISTON PIN	4	4						1
32	1	129900-23611	BEARING ASSY, 0.25US	4	4						2
34	1	129906-22910	PISTON ASSY, 0.25 OS	4	4						3
36	2	129916-22950	RING SET, 0.25 OS	4	4						3

Remarks  
 (1)Spare part.  
 (2)Under-sized(U.S.=0.25)part.  
 (3)Over-sized(O.S.=0.25)part.

Fig.9. LUB. OIL SYSTEM



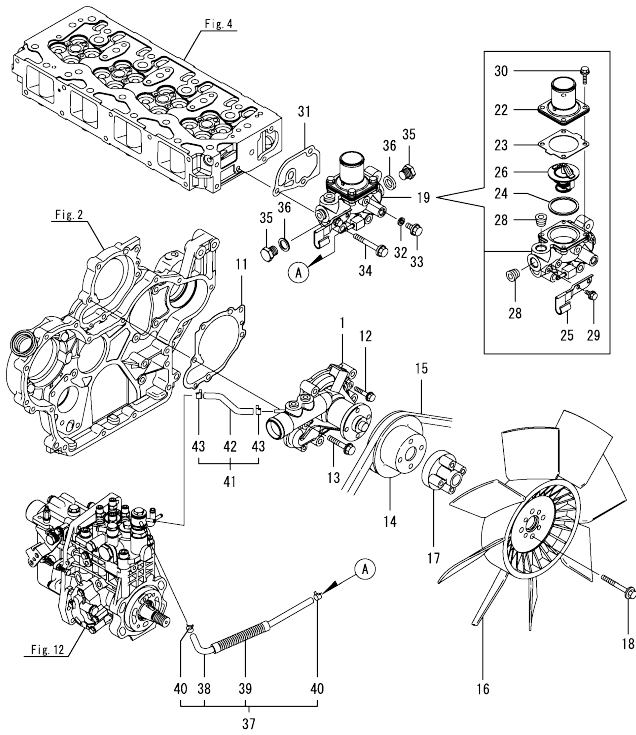
(A)=4TNV94L-PLK  
(B)=4TNV94L-PLK2  
(C)=

(D)=  
(E)=  
(F)=

No.	Lev.	Parts No.	Description	Q'ty						I	R
				(A)	(B)	(C)	(D)	(E)	(F)		
1	1	121520-34810	GUIDE, DIPSTICK	1	1						
2	1	129906-34851	DIPSTICK	1	1						
3	1	119000-35140	BOLT, STUD FILTER	1	1						
5	1	129900-32030	O-RING, P20	1	1						
6	1	129953-35000	PIPE ASSY, OIL INLET	1	1						
11	1	26106-080122	BOLT, M8X 12 PLATED	1	1						
12	1	26106-080162	BOLT, M8X 16 PLATED	1	1						
13	1	114250-39450	SWITCH, HYDRAULIC	1	1						
14	1	129907-39061	PIPE ASSY, OIL	1	1						
16	2	123907-39500	RETAINER, PIPE	1	1						
18	1	129005-59830	BOLT ASSY, JOINT M8	2	2						
19	2	22190-080002	WASHER, SEAL 6	2	2						
20	2	23857-030000	BOLT, JOINT 3	2	2						
21	1	22190-080002	WASHER, SEAL 6	2	2						
22	1	26106-080122	BOLT, M8X 12 PLATED	1	1						
23	1	22190-080002	WASHER, SEAL 6	2	2						
24	1	26106-080122	BOLT, M8X 12 PLATED	2	2						
25	1	171056-49120	PLUG, DRAIN R1/4	1	1						
26	1	119005-35151	FILTER, D80X100	1	1						
27	1	119005-35151	FILTER, D80X100	1	1						1

Remarks  
(1)Spare part.

Fig.10. COOLING WATER SYSTEM

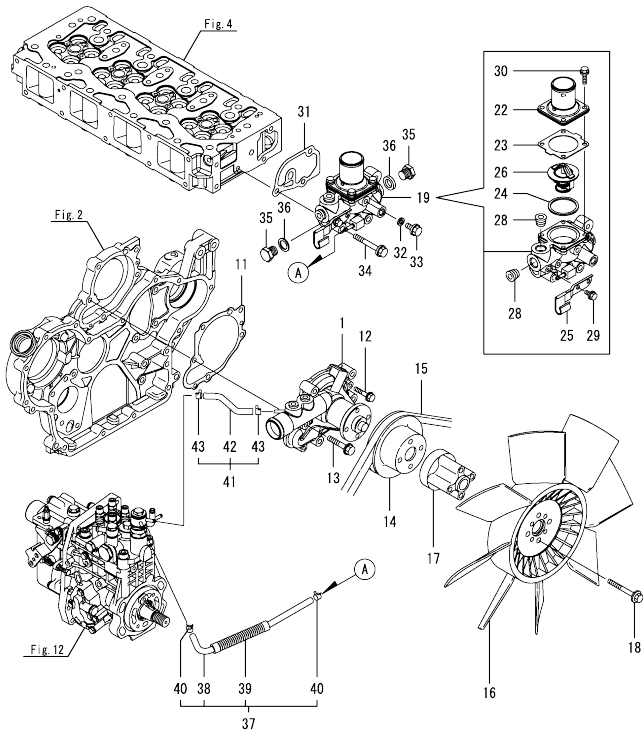


(A)=4TNV94L-PLK  
(B)=4TNV94L-PLK2  
(C)=

(D)=  
(E)=  
(F)=

No.	Lev.	Parts No.	Description	Qty						I	R
				(A)	(B)	(C)	(D)	(E)	(F)		
1	1	129907-42001	PUMP ASSY, WATER	1							
11	1	129900-42020	GASKET, WATER PUMP	1							
12	1	26106-060302	BOLT, M6X 30 PLATED	2							
13	1	26106-080552	BOLT, M8X 55 PLATED	5							
14	1	129900-42462	V-PULLEY, PUMP	1							
15	1	25152-004100	V-BELT, A41	1							
16	1	129953-44710	FAN, COOLING D=460	1							
17	1	119141-44760	SPACER, FAN	1							
18	1	26106-080552	BOLT, M8X 55 PLATED	4							
19	1	129907-49800	CASE ASSY,THERMOSTAT	1							
22	2	129916-49530	COVER, THERMOSTAT	1							
23	2	121850-49540	GASKET, THERMOSTAT	1							
24	2	121850-49550	GASKET, THERMOSTAT	1							
25	2	129907-49730	RETAINER, PIPE	1							
26	2	121850-49811	THERMOSTAT, 71C	1							
28	2	23875-030000	PLUG, R03	2							
29	2	26106-060122	BOLT, M6X 12 PLATED	1							
30	2	26106-060202	BOLT, M6X 20 PLATED	4							
31	1	129900-49870	GASKET, THERMOSTAT	1							
32	1	23414-080000	GASKET, 8X1.0	1							
33	1	26106-080122	BOLT, M8X 12 PLATED	1							
34	1	26106-080602	BOLT, M8X 60 PLATED	3							
35	1	121450-42450	PLUG, M16	2							
36	1	124465-44950	GASKET, 16	2							
37	1	129907-49610	HOSE ASSY, WATER	1							
38	2	129907-49710	HOSE, WATER	1							
39	2	129907-49750	TUBE, CORRUGATED	1							
40	2	124722-59050	CLAMP, HOSE 9	2							
41	1	129907-49620	HOSE ASSY, WATER	1							
42	2	129907-49720	HOSE, WATER	1							
43	2	124722-59050	CLAMP, HOSE 9	2							

Fig.11. COOLING WATER SYSTEM



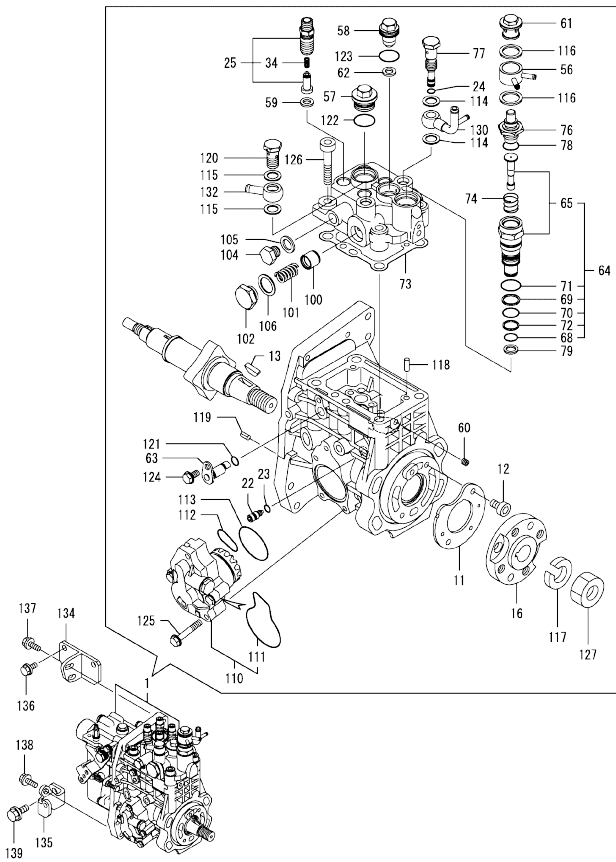
(A)=4TNV94L-PLK  
(B)=4TNV94L-PLK2  
(C)=

(D)=  
(E)=  
(F)=

No.	Lev.	Parts No.	Description	Qty						I	R	
				(A)	(B)	(C)	(D)	(E)	(F)			
1	1	129907-42001	PUMP ASSY, WATER									
11	1	129900-42020	GASKET, WATER PUMP									
12	1	26106-060302	BOLT, M6X 30 PLATED									
13	1	26106-080552	BOLT, M8X 55 PLATED									
14	1	129900-42462	V-PULLEY, PUMP									
15	1	25152-004100	V-BELT, A41									
16	1	129953-44710	FAN, COOLING D=460									
17	1	119117-44760	SPACER, FAN									
18	1	26106-080802	BOLT, M8X 80 PLATED									
19	1	129907-49800	CASE ASSY, THERMOSTAT									
22	2	129916-49530	COVER, THERMOSTAT									
23	2	121850-49540	GASKET, THERMOSTAT									
24	2	121850-49550	GASKET, THERMOSTAT									
25	2	129907-49730	RETAINER, PIPE									
26	2	121850-49811	THERMOSTAT, 71C									
28	2	23875-030000	PLUG, R03									
29	2	26106-060122	BOLT, M6X 12 PLATED									
30	2	26106-060202	BOLT, M6X 20 PLATED									
31	1	129900-49870	GASKET, THERMOSTAT									
32	1	23414-080000	GASKET, 8X1.0									
33	1	26106-080122	BOLT, M8X 12 PLATED									
34	1	26106-080602	BOLT, M8X 60 PLATED									
35	1	121450-42450	PLUG, M16									
36	1	124465-44950	GASKET, 16									
37	1	129907-49610	HOSE ASSY, WATER									
38	2	129907-49710	HOSE, WATER									
39	2	129907-49750	TUBE, CORRUGATED									
40	2	124722-59050	CLAMP, HOSE 9									
41	1	129907-49620	HOSE ASSY, WATER									
42	2	129907-49720	HOSE, WATER									
43	2	124722-59050	CLAMP, HOSE 9									

OCW10-M85400 4TNV94L-PLK,4TNV94L-PLK2  
 Fig.12. FUEL INJECTION PUMP

OCW10-M85400 Fig.12



(A)=4TNV94L-PLK  
 (B)=4TNV94L-PLK2  
 (C)=

(D)=  
 (E)=  
 (F)=

No.	Lev.	Parts No.	Description	Q'ty						I	R
				(A)	(B)	(C)	(D)	(E)	(F)		
1	1	729936-51320	FIE ASSY	1	1						1
11	2	129928-51900	COVER	1	1						
12	2	129008-51920	BOLT, SOCKET M6X10	2	2						
13	2	144626-51090	FEATHER KEY, 5X19	1	1						
16	2	158563-51150	FLANGE	1	1						
22	2	158600-51270	STOPPER, TAPPET	1	1						
23	2	158563-51281	O-RING, 4D S6	1	1						
24	2	158563-51281	O-RING, 4D S6	1	1						
25	2	129509-51390	VALVE ASSY, DELIVERY	4	4						
34	3	158563-51330	SPRING, DELIVERY	4	4						
56	2	158553-51551	JOINT, COOLING WATER	1	1						
57	2	158601-51550	PLUG, M22	1	1						
58	2	129907-51560	PLUG, M16	1	1						
59	2	158552-51571	GASKET, PLUG	4	4						
60	2	158557-51570	PLUG, RACK	1	1						
61	2	158601-51570	PLUG	1	1						
62	2	129906-51580	GASKET, PLUG	1	1						
63	2	158552-51580	LIFTER, LINK	1	1						
64	2	119802-51590	TIMER ASSY	1	1						
65	3	119802-51600	TIMER ASSY	1	1						
68	3	158553-51670	O-RING	1	1						
69	3	119802-51680	RING, BACKUP	1	1						
70	3	119802-51690	O-RING	1	1						
71	3	24356-190200	O-RING, 4D19020	1	1						
72	3	24372-000150	RING, BACK UP T2P15	1	1						
73	2	158560-51600	GASKET	1	1						
74	2	158553-51630	SPRING, TIMER	1	1						
76	2	158553-51640	THERMOELEMENT	1	1						
77	2	158601-51650	JOINT, OVER FLOW	1	1						
78	2	158553-51660	O-RING, P14	1	1						
79	2	158553-51680	GASKET, TIMER	1	1						
100	2	158601-51770	PISTON, ACCUMULATOR	1	1						
101	2	158552-51781	SPRING, ACCUMULATOR	1	1						
102	2	158601-51790	PLUG	1	1						
104	2	158553-51930	PLUG, M12	1	1						
105	2	22190-120002	WASHER, SEAL 12	1	1						
106	2	22190-180002	WASHER, SEAL 18	1	1						
110	2	158552-52100	PUMP ASSY, FUEL FEED	1	1						
111	3	158552-52500	O-RING	1	1						
112	2	158552-52311	O-RING	1	1						
113	2	158552-52400	O-RING, 4E S42	1	1						
114	2	22190-120002	WASHER, SEAL 12	2	2						
115	2	22190-120002	WASHER, SEAL 12	2	2						
116	2	22190-180002	WASHER, SEAL 18	2	2						
117	2	22217-180000	WASHER, SPRING 18	1	1						
118	2	22312-050140	PIN, PARALLEL M5X14	2	2						
119	2	22351-050010	PIN, SPRING 5.0X10	2	2						
120	2	23857-060000	BOLT, JOINT 6	1	1						
121	2	24311-000070	O-RING, 1AP7.0	1	1						
122	2	24356-190200	O-RING, 4D19020	1	1						
123	2	24356-240210	O-RING, 4D24021	1	1						

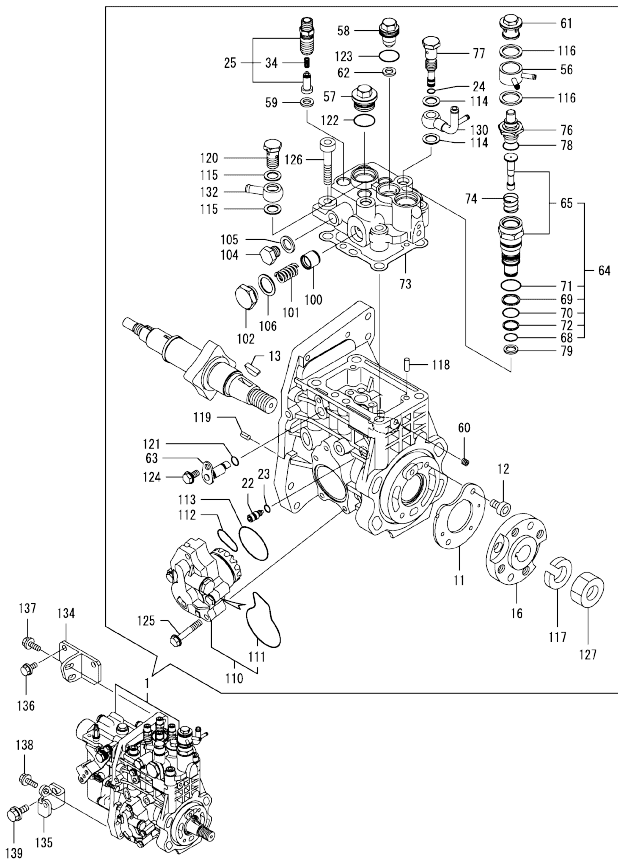
Remarks  
 (1)Governor(Fig.13)is incorporated in this Fuel Injection Pump (Ref.1).

N:Old  $\frac{New}{Old}$  New, Q:Old  $\frac{New}{Old}$  New, R:Old  $\frac{New}{Old}$  New, S:Old  $\frac{New}{Old}$  New, W:Add, Z:Discontinued, F:Interchangeable by set, K:Q'ty Change  
 ++ CONTINUE ++ Copyright (C) 2013 YANMAR GLOBAL CS CO., LTD. All Rights Reserved.



0CW10-M85400 4TNV94L-PLK,4TNV94L-PLK2  
 Fig.12. FUEL INJECTION PUMP

0CW10-M85400 Fig.12



(A)=4TNV94L-PLK  
 (B)=4TNV94L-PLK2  
 (C)=

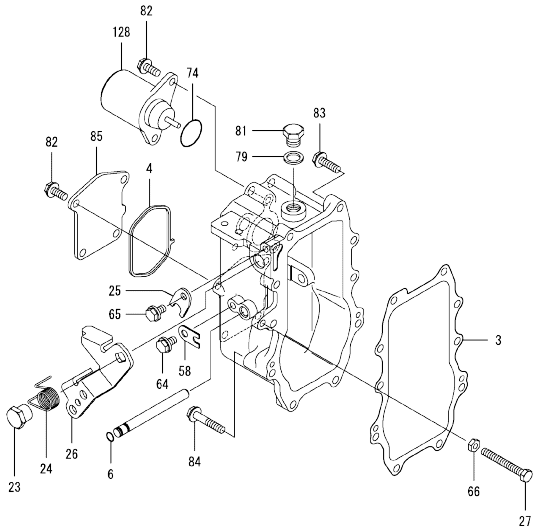
(D)=  
 (E)=  
 (F)=

No.	Lev.	Parts No.	Description	Q'ty						I	R
				(A)	(B)	(C)	(D)	(E)	(F)		
124	2	26106-060102	BOLT, M6X 10 PLATED	1	1						
125	2	26106-060352	BOLT, M6X 35 PLATED	4	4						
126	2	26450-100452	BOLT, M10X 45	4	4						
127	2	26776-180002	NUT, LOCK M18	1	1						
130	2	158552-51670	JOINT, OVER FLOW	1	1						
132	2	129916-59020	JOINT, PIPE 12	1	1						
134	1	129907-01950	RETAINER, PUMP	1	1						
135	1	129907-01960	RETAINER, PUMP	1	1						
136	1	26106-080162	BOLT, M8X 16 PLATED	2	2						
137	1	26106-080222	BOLT, M8X 22 PLATED	2	2						
138	1	26106-080222	BOLT, M8X 22 PLATED	1	1						
139	1	26106-100202	BOLT, M10X 20 PLATED	1	1						

Remarks  
 (1)Governor(Fig.13)is incorporated in  
 this Fuel Injection Pump (Ref.1).

N:Old  $\frac{100}{100}$  New, Q:Old  $\frac{100}{100}$  New, R:Old  $\frac{100}{100}$  New, S:Old  $\frac{100}{100}$  New, W:Add, Z:Discontinued, F:Interchangeable by set, K:Q'ty Change  
 Copyright (C) 2013 YANMAR GLOBAL CS CO., LTD. All Rights Reserved.

Fig.13. GOVERNOR



(A)=4TNV94L-PLK  
(B)=4TNV94L-PLK2  
(C)=

(D)=  
(E)=  
(F)=

No.	Lev.	Parts No.	Description	Q'ty					
				(A)	(B)	(C)	(D)	(E)	(F)
3	2	158560-61050	GASKET	1	1				
4	2	158560-61071	GASKET	1	1				
6	2	129155-51280	O-RING, S6	1	1				
23	2	129255-61410	NUT, M8	1	1				
24	2	119807-61420	SPRING, RETURN	1	1				
25	2	158560-61430	STOPPER, SHAFT	1	1				
26	2	158560-61442	LEVER, REGULATOR	1	1				
27	2	129155-61460	BOLT, LIMITING	1	1				
58	2	119660-61901	STOPPER, SHAFT	1	1				
64	2	26106-060102	BOLT, M6X 10 PLATED	1	1				
65	2	26106-060102	BOLT, M6X 10 PLATED	1	1				
66	2	26756-060002	NUT, LOCK M6	1	1				
74	2	158552-61900	O-RING	1	1				
79	2	22190-160002	WASHER, SEAL 16	1	1				
81	2	23887-160002	PLUG, 16	1	1				
82	2	26106-060142	BOLT, M6X 14 PLATED	6	6				
83	2	26106-060252	BOLT, M6X 25 PLATED	8	8				
84	2	26106-060402	BOLT, M6X 40 PLATED	2	2				
85	2	158560-61061	COVER, GOVERNOR CASE	1	1				
128	2	119233-77932	SOLENOID, STOP	1	1				

Remarks  
\*This figure(Governor)is incorporated  
in the Fuel Injection Pump (Fig.12).

0CW10-M85400 4TNV94L-PLK,4TNV94L-PLK2  
 Fig.14. FUEL INJECTION VALVE

0CW10-M85400 Fig.14

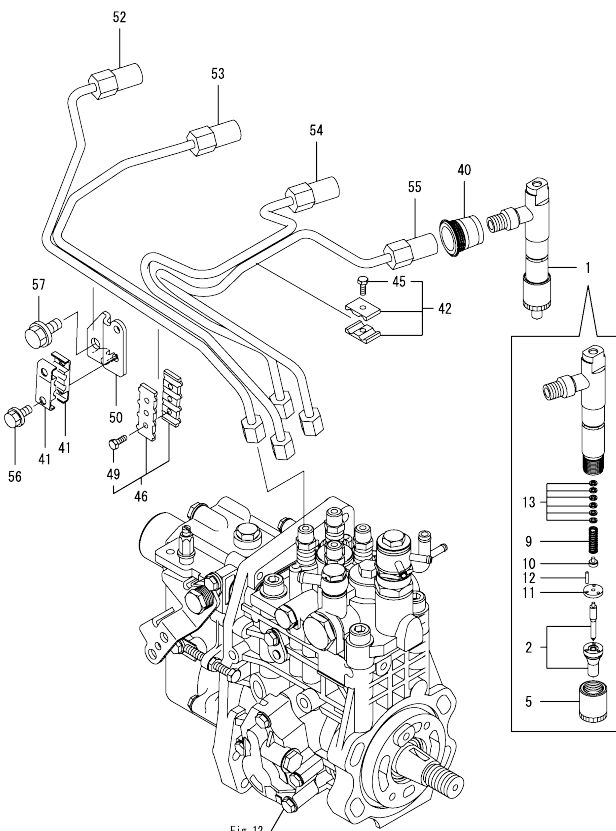


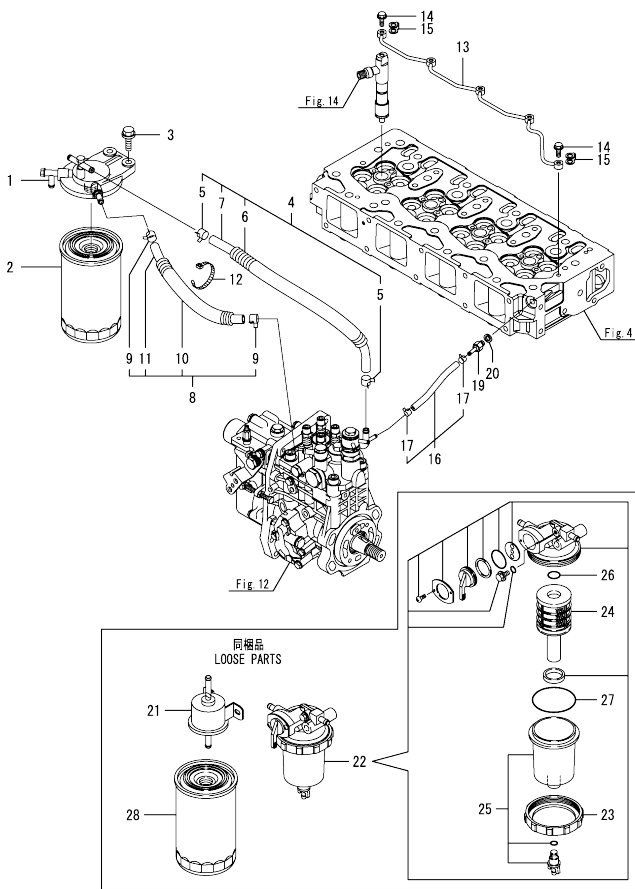
Fig. 12

(A)=4TNV94L-PLK  
 (B)=4TNV94L-PLK2  
 (C)=

(D)=  
 (E)=  
 (F)=

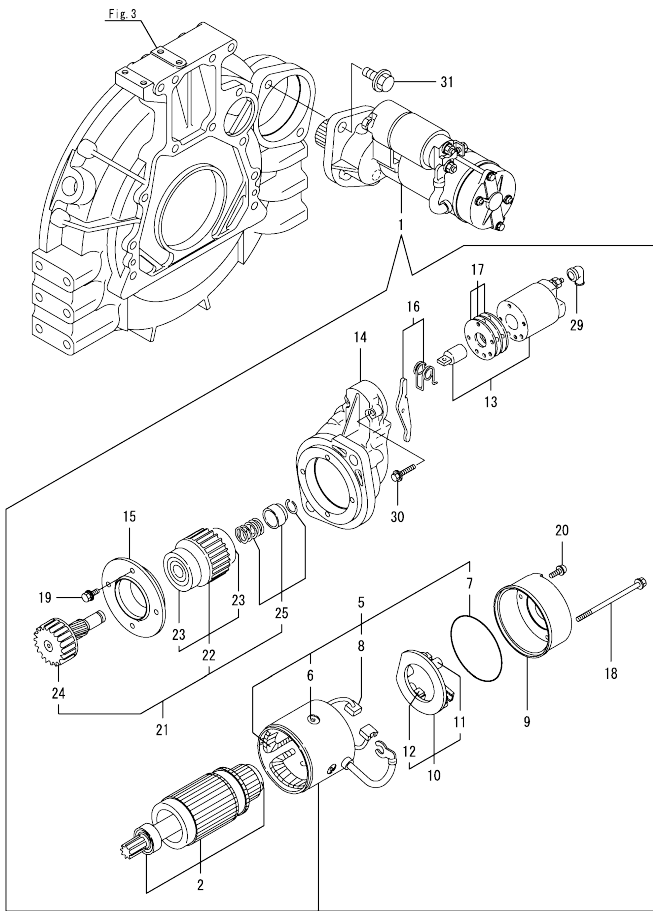
No.	Lev.	Parts No.	Description	Q'ty					
				(A)	(B)	(C)	(D)	(E)	(F)
1	1	729906-53100	FUEL INJECTOR ASSY	4	4				
2	2	129906-53000	NOZZLE ASSY, F.I.	4	4				
5	2	114250-53080	NUT, NOZZLE	4	4				
9	2	114250-53120	SPRING, NOZZLE	4	4				
10	2	114250-53130	SEAT, SPRING	4	4				
11	2	114250-53140	SPACER	4	4				
12	2	114250-53210	PIN	8	8				
13	2	119803-53400	SHIM SET	4	4				
40	1	123907-11601	SEAL, PIPE	4	4				
41	1	122780-59100	RETAINER	2	2				
42	1	119305-59120	RETAINER, PIPE	1	1				
45	2	129150-59131	BOLT, M4X14	1	1				
46	1	129550-59120	RETAINER, PIPE	1	1				
49	2	129150-59131	BOLT, M4X14	2	2				
50	1	129907-59710	SUPPORT	1	1				
52	1	129907-59810	PIPE ASSY, INJECTION	1	1				
53	1	129907-59820	PIPE ASSY, INJECTION	1	1				
54	1	129907-59830	PIPE ASSY, INJECTION	1	1				
55	1	129907-59840	PIPE ASSY, INJECTION	1	1				
56	1	26106-060162	BOLT, M6X 16 PLATED	2	2				
57	1	26106-080182	BOLT, M8X 18 PLATED	1	1				

Fig.15. FUEL LINE



No.	Lev.	Parts No.	Description	Q'ty						I	R
				(A)	(B)	(C)	(D)	(E)	(F)		
1	1	129004-55612	BRACKET, FILTER	1	1						
2	1	129907-55801	FILTER, FUEL	1	1						
3	1	26106-080302	BOLT, M8X 30 PLATED	2	2						
4	1	129457-59010	HOSE ASSY, FUEL	1	1						
5	2	124766-59050	CLAMP, HOSE 11.5	2	2						
6	2	129957-59120	TUBE, CORRUGATED 15	1	1						
7	2	105025-59750	HOSE, FUEL	1	1						
8	1	129981-59010	HOSE ASSY, FUEL	1	1						
9	2	124766-59050	CLAMP, HOSE 11.5	2	2						
10	2	129950-59221	TUBE, CORRUGATED 15	1	1						
11	2	129980-59510	HOSE, FUEL	1	1						
12	1	121750-59890	BAND, NYLON	1	1						
13	1	129907-59140	PIPE ASSY, RETURN	1	1						
14	1	123907-59540	BOLT, PIPE JOINT M6	5	5						
15	1	123907-59550	GASKET	5	5						
16	1	129486-59551	HOSE ASSY, RETURN	1	1						
17	2	124722-59050	CLAMP, HOSE 9	2	2						
19	1	123907-59560	JOINT, HOSE	1	1						
20	1	22190-080002	WASHER, SEAL 6	1	1						
21	1	129612-52100	PUMP, FUEL FEED	1	1						
22	1	119802-55700	SEPARATOR ASSY,WATER	1	1						
23	2	129100-55690	RING, CUP RETAINING	1	1						
24	2	119802-55710	ELEMENT	1	1						
25	2	119802-55730	CUP ASSY, SEPARATOR	1	1						
26	2	24311-000160	O-RING, 1AP16.0	1	1						
27	2	24321-000650	O-RING, 1AG65.0	1	1						
28	1	129907-55801	FILTER, FUEL	1	1						

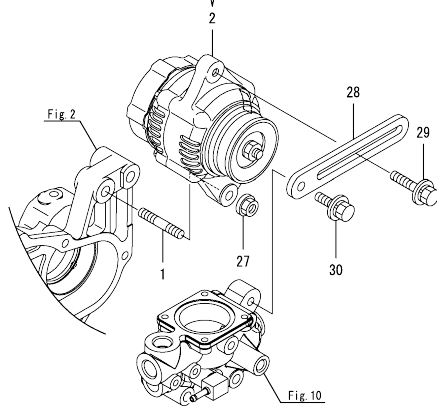
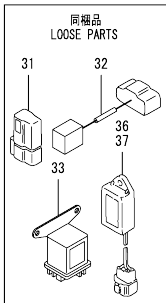
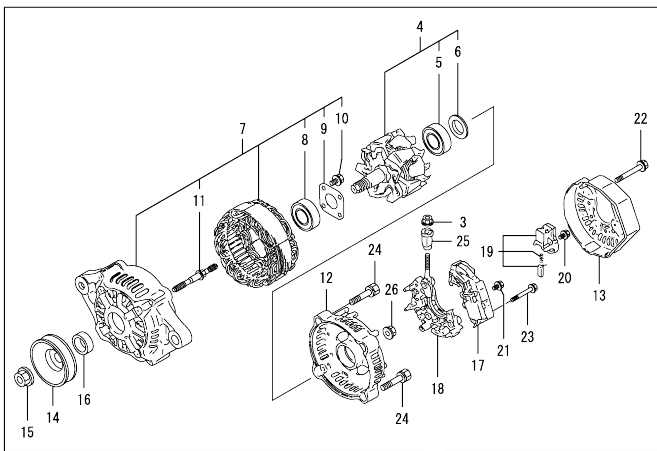
Fig.16. STARTING MOTOR



No.	Lev.	Parts No.	Description	Q'ty						I	R
				(A)	(B)	(C)	(D)	(E)	(F)		
1	1	129940-77011	STARTER ASSY	1	1						
2	2	129940-77100	ARMATURE ASSY	1	1						
5	2	129940-77130	COIL ASSY, FIELD	1	1						
6	3	129940-77140	SCREW, CORE SET	4	4						
7	3	129940-77150	O-RING	1	1						
8	3	129940-77160	BRUSH	2	2						
9	2	129940-77171	COVER	1	1						
10	2	129940-77181	HOLDER ASSY, BRUSH	1	1						
11	3	129940-77190	SPRING, BRUSH	1	1						
12	3	129940-77200	BRUSH	2	2						
13	2	129940-77210	SWITCH ASSY, MAGNET	1	1						
14	2	129940-77221	CASE, GEAR	1	1						
15	2	129940-77230	RETAINER, BEARING	1	1						
16	2	129940-77240	LEVER SET	1	1						
17	2	129940-77250	COVER KIT, DUST	1	1						
18	2	129940-77260	BOLT, THROUGH	2	2						
19	2	129940-77270	BOLT	4	4						
20	2	129940-77280	SCREW	2	2						
21	2	123900-77510	PINION ASSY	1	1						
22	3	123900-77520	CLUTCH ASSY	1	1						
23	4	X2240610100	BEARING, BALL	2	2						
24	3	123900-77540	SHAFT, PINION	1	1						
25	3	119131-77550	STOPPER SET, PINION	1	1						
29	2	121254-77810	COVER, TERMINAL	1	1						
30	2	114371-79070	BOLT	2	2						
31	1	26106-120252	BOLT, M12X 25 PLATED	2	2						

N:Old  $\frac{100}{100}$  New, Q:Old  $\frac{100}{100}$  New, R:Old  $\frac{100}{100}$  New, S:Old  $\frac{100}{100}$  New, W:Add, Z:Discontinued, F:Interchangeable by set, K:Q'ty Change  
 Copyright (C) 2013 YANMAR GLOBAL CS CO., LTD. All Rights Reserved.

Fig.17. GENERATOR

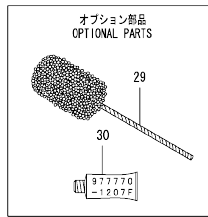
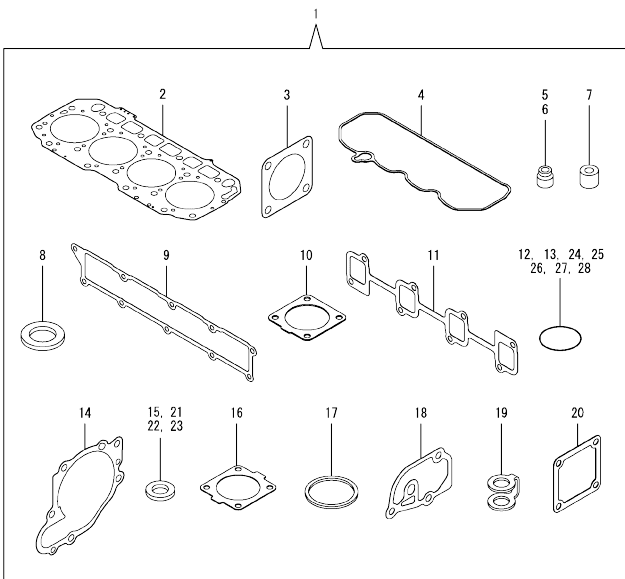


(A)=4TNV94L-PLK  
(B)=4TNV94L-PLK2  
(C)=

(D)=  
(E)=  
(F)=

No.	Lev.	Parts No.	Description	Qty						I	R
				(A)	(B)	(C)	(D)	(E)	(F)		
1	1	129795-01900	BOLT, STUD M10X33	1	1						
2	1	119626-77210	ALTERNATOR, 12V-55A	1	1						
3	2	X9490561001	NUT	1	1						
4	2	129052-77380	ROTOR ASSY	1	1						
5	3	123501-79240	BEARING, BALL	1	1						
6	3	119620-79250	COVER, BEARING	1	1						
7	2	129052-77422	FRAME ASSY	1	1						
8	3	119620-79200	BEARING, BALL	1	1						
9	3	119620-79210	RETAINER	1	1						
10	3	119620-79220	SCREW	4	4						
11	3	119620-79230	BOLT, STUD	2	2						
12	2	128401-77440	COVER	1	1						
13	2	119626-77450	FRAME	1	1						
14	2	119620-77461	PULLEY, GENERATOR	1	1						
15	2	119620-77471	NUT	1	1						
16	2	119620-77490	COLLAR	1	1						
17	2	129423-77710	REGULATOR ASSY	1	1						
18	2	129052-79260	HOLDER	1	1						
19	2	129052-79270	HOLDER, BRUSH	1	1						
20	2	119620-79290	SCREW	6	6						
21	2	119620-79300	SCREW	1	1						
22	2	119620-79310	BOLT	3	3						
23	2	119620-79320	SCREW	2	2						
24	2	119620-79330	BOLT	2	2						
25	2	119620-79340	BUSH, INSULATION	1	1						
26	2	119620-79350	NUT	2	2						
27	1	26306-100002	NUT, M10	1	1						
28	1	129900-77330	ADJUSTER, BELT	1	1						
29	1	119810-77340	BOLT, ADJUST L=30	1	1						
30	1	26014-080252	BOLT, M8X 25	1	1						
31	1	119643-66900	DIODE	1	1						
32	1	129457-77511	CONNECTOR	1	1						
33	1	119650-77911	RELAY ASSY, GLOW	1	1						
36	1	128300-77920	TIMER	1	1						
37	1	129211-77920	TIMER	1	1						

Fig.18. GASKET SET



Remarks  
(1)Optional parts.

No.	Lev.	Parts No.	Description	Qty						I	R
				(A)	(B)	(C)	(D)	(E)	(F)		
1	1	129936-92610	GASKET SET	1	1						1
2	2	129906-01350	GASKET, HEAD	1	1						
3	2	129C26-01890	GASKET, HO-P	1	1						
4	2	129907-11310	GASKET, BONNET	1	1						
5	2	119803-11340	SEAL, VALVE STEM	8	8						
6	2	124160-11340	SEAL, VALVE STEM	8	8						
7	2	119802-11870	PROTECTOR, NOZZLE	4	4						
8	2	119625-11880	SEAT, NOZZLE	4	4						
9	2	129907-12110	GASKET, MANIFOLD	1	1						
10	2	129930-13201	GASKET, SILENCER	2	2						
11	2	129900-13251	GASKET, EXH.MANIFOLD	1	1						
12	2	129900-32030	O-RING, P20	2	2						
13	2	129900-32040	O-RING, P14	1	1						
14	2	129900-42020	GASKET, WATER PUMP	1	1						
15	2	124465-44950	GASKET, 16	2	2						
16	2	121850-49540	GASKET, THERMOSTAT	1	1						
17	2	121850-49550	GASKET, THERMOSTAT	1	1						
18	2	129900-49870	GASKET, THERMOSTAT	1	1						
19	2	123907-59550	GASKET	5	5						
20	2	121850-77021	GASKET, AIR HEATER	1	1						
21	2	22190-080002	WASHER, SEAL 6	7	7						
22	2	22190-220002	WASHER, SEAL 22	1	1						
23	2	23414-080000	GASKET, 8X1.0	1	1						
24	2	24311-000070	O-RING, 1AP7.0	1	1						
25	2	24311-000120	O-RING, 1AP12.0	8	8						
26	2	24311-000320	O-RING, 1AP32.0	2	2						
27	2	24341-000530	O-RING, 1AS53.0	1	1						
28	2	24351-030750	O-RING, 1A3075	1	1						
29	1	129400-92440	HONE, FLEX	1	1						1
30	1	977770-1207F	GASKET,LIQUID	1	1						1

## Parts No. Index

Parts No.	Fig. No.	Ref. No.	Parts No.	Fig. No.	Ref. No.	Parts No.	Fig. No.	Ref. No.	Parts No.	Fig. No.	Ref. No.
105025-59750	15	7	119802-51600	12	65	123907-59550	15	15	129457-77511	17	32
114250-39450	9	13	119802-51680	12	69		18	19	129486-59551	15	16
114250-53080	14	5	119802-51690	12	70	123907-59560	15	19	129509-51390	12	25
114250-53120	14	9	119802-55700	15	22	124160-01751	2	33	129550-59120	14	46
114250-53130	14	10	119802-55710	15	24		4	47	129612-12650	5	13
114250-53140	14	11	119802-55730	15	25	124160-11340	4	14	129612-52100	15	21
114250-53210	14	12	119803-11340	4	13		18	6	129795-01900	17	1
114371-79070	16	30		18	5	124160-11360	4	61	129900-01200	1	27
119000-35140	9	3	119803-53400	14	13	124240-01871	2	35	129900-01250	1	4
119005-12571	5	12	119807-61420	13	24	124411-01780	3	7	129900-01620	3	2
		16	119808-12540	5	10	124465-44950	10	36	129900-01850	2	40
119005-35151	9	26	119810-77340	17	29		11	36	129900-01870	2	41
		27	120130-22301	8	23		18	15	129900-02020	1	6
119117-44760	11	17	121254-77810	16	29	124722-59050	10	40	129900-02341	1	33
119131-18320	6	5	121450-42450	10	35			43	129900-02410	1	9
119131-77550	16	25		11	35		11	40	129900-02931	1	24
119140-12680	5	14	121520-34810	9	1			43	129900-02941	1	36
119141-44760	10	17	121750-59890	15	12			15	129900-12530	5	9
119233-77932	13	128	121850-21130	8	11	124766-59050	15	5	129900-13251	6	2
119305-59120	14	42	121850-21290	8	4			9		18	11
119593-11301	4	27	121850-21920	8	5	128300-77920	17	36	129900-14100	7	6
119620-01750	3	4	121850-49540	10	23	128401-77440	17	12	129900-21200	8	3
119620-11180	4	12		11	23	129004-55612	15	1	129900-21600	8	14
119620-77461	17	14		18	16	129005-59830	9	18	129900-23001	8	25
119620-77471	17	15	121850-49550	10	24	129008-51920	12	12	129900-23200	8	28
119620-77490	17	16		11	24	129052-77380	17	4	129900-23601	8	29
119620-79200	17	8		18	17	129052-77422	17	7	129900-23611	8	32
119620-79210	17	9	121850-49811	10	26	129052-79260	17	18	129900-23911	8	31
119620-79220	17	10		11	26	129052-79270	17	19	129900-25100	7	10
119620-79230	17	11	121850-77021	5	5	129062-12560	5	11	129900-32001	2	8
119620-79250	17	6		18	20	129100-01580	2	4	129900-32030	2	20
119620-79290	17	20		14	41		3	1		9	5
119620-79300	17	21	122780-59100	17	5	129100-55690	15	23		18	12
119620-79310	17	22	123501-79240	17	5	129150-02450	7	4	129900-32040	2	21
119620-79320	17	23	123900-13610	6	3	129150-11230	4	35		18	13
119620-79330	17	24	123900-13630	6	4			39	129900-42020	10	11
119620-79340	17	25	123900-25060	7	9			40		11	11
119620-79350	17	26	123900-77510	16	21	129150-11750	4	17		18	14
119625-11880	4	23	123900-77520	16	22			36	129900-42462	10	14
	18	8	123900-77540	16	24			40		11	14
119626-77210	17	2	123907-03100	4	52	129150-14200	7	1	129900-49870	10	31
119626-77450	17	13	123907-03110	4	53	129150-25920	7	16		11	31
119640-01640	3	9	123907-03120	4	54	129150-59131	14	45		18	18
119640-61400	4	58	123907-03140	4	55			49	129900-77330	17	28
119643-66900	17	31	123907-11280	4	32	129155-51280	13	6	129902-21000	8	1
119650-77911	17	33	123907-11550	4	1	129155-61460	13	27	129906-01350	1	28
119660-61901	13	58	123907-11601	14	40	129211-77920	17	37		18	2
119802-11870	4	22	123907-11820	4	19	129255-61410	13	23	129906-12520	5	15
	18	7	123907-11830	4	18	129400-92440	18	29	129906-22050	8	17
119802-51590	12	64	123907-39500	9	16	129423-77710	17	17	129906-22090	8	15
			123907-59540	15	14	129457-59010	15	4			



## Parts No. Index

Parts No.	Fig. No.	Ref. No.
129906-22910	8	34
129906-34851	9	2
129906-51580	12	62
129906-53000	14	2
129907-01190	1	29
129907-01500	2	7
129907-01950	12	134
129907-01960	12	135
129907-03011	4	49
129907-03061	4	50
129907-03070	4	51
129907-07900	4	64
129907-11100	4	9
129907-11110	4	10
129907-11120	4	11
129907-11250	4	29
129907-11260	4	30
129907-11270	4	31
129907-11310	18	4
129907-11321	4	48
129907-11341	4	28
129907-11510	4	15
129907-11650	4	33
129907-11660	4	37
129907-11700	4	2
129907-11800	4	66
129907-11910	4	24
129907-11920	4	41
129907-11950	4	25
129907-12110	5	1
	18	9
129907-13201	6	1
129907-13500	6	8
129907-14400	7	2
129907-21650	8	8
129907-25900	7	15
129907-39061	9	14
129907-42001	10	1
	11	1
129907-49610	10	37
	11	37
129907-49620	10	41
	11	41
129907-49710	10	38
	11	38
129907-49720	10	42
	11	42
129907-49730	10	25
	11	25
129907-49750	10	39

Parts No.	Fig. No.	Ref. No.
129907-49750	11	39
129907-49800	10	19
	11	19
129907-51560	12	58
129907-55801	15	2
		28
129907-59140	15	13
129907-59710	14	50
129907-59810	14	52
129907-59820	14	53
129907-59830	14	54
129907-59840	14	55
129908-14581	7	3
129915-77051	5	6
129916-01710	3	8
129916-01800	2	3
129916-21590	8	12
129916-21610	8	7
129916-22950	8	36
129916-49530	10	22
	11	22
129916-59020	12	132
129927-42140	2	21 A
129928-51900	12	11
129930-13201	6	7
		11
	18	10
129933-11310	4	57
129936-92610	18	1
129940-77011	16	1
129940-77100	16	2
129940-77130	16	5
129940-77140	16	6
129940-77150	16	7
129940-77160	16	8
129940-77171	16	9
129940-77181	16	10
129940-77190	16	11
129940-77200	16	12
129940-77210	16	13
129940-77221	16	14
129940-77230	16	15
129940-77240	16	16
129940-77250	16	17
129940-77260	16	18
129940-77270	16	19
129940-77280	16	20
129944-12111	5	2
129944-12500	5	8
129950-59221	15	10

Parts No.	Fig. No.	Ref. No.
129951-01740	2	5
129953-25300	7	14
129953-35000	9	6
129953-44710	10	16
	11	16
129957-59120	15	6
129960-21930	8	9
129960-21940	8	10
129980-59510	15	11
129981-59010	15	8
129C26-01890	2	36
	18	3
144626-51090	12	13
158552-51571	12	59
158552-51580	12	63
158552-51670	12	130
158552-51781	12	101
158552-52100	12	110
158552-52311	12	112
158552-52400	12	113
158552-52500	12	111
158552-61900	13	74
158553-51551	12	56
158553-51630	12	74
158553-51640	12	76
158553-51660	12	78
158553-51670	12	68
158553-51680	12	79
158553-51930	12	104
158557-51570	12	60
158560-51600	12	73
158560-61050	13	3
158560-61061	13	85
158560-61071	13	4
158560-61430	13	25
158560-61442	13	26
158563-51150	12	16
158563-51281	12	23
		24
158563-51330	12	34
158600-51270	12	22
158601-51550	12	57
158601-51570	12	61
158601-51650	12	77
158601-51770	12	100
158601-51790	12	102
171031-11741	2	38
171051-01921	1	5
171056-49120	9	25
22190-080002	9	19

Parts No.	Fig. No.	Ref. No.
22190-080002	9	21
		23
	15	20
	18	21
22190-120002	12	105
		114
		115
22190-160002	13	79
22190-180002	12	106
		116
22190-220002	3	11
	18	22
22217-180000	12	117
22252-000300	8	24
22312-050140	12	118
22351-050010	12	119
22351-060012	1	10
22512-070140	7	7
	8	6
22857-500100	4	59
		60
23414-080000	10	32
	11	32
	18	23
23857-030000	9	20
23857-060000	12	120
23875-030000	10	28
	11	28
23876-020000	4	6
23876-030000	1	11
		12
		13
	4	7
23887-160002	13	81
24311-000070	2	22
	12	121
	18	24
24311-000120	4	26
		62
	18	25
24311-000160	15	26
24311-000320	2	34
		39
	4	63
	18	26
24321-000650	15	27
24341-000530	18	27
24351-030750	2	23
	18	28
24356-190200	12	71

## Parts No. Index

Parts No.	Fig. No.	Ref. No.
24356-190200	12	122
24356-240210	12	123
24372-000150	12	72
25152-004100	10	15
	11	15
26014-080252	17	30
26106-060102	12	124
	13	64
		65
26106-060122	10	29
	11	29
26106-060142	13	82
26106-060162	14	56
26106-060202	10	30
	11	30
26106-060252	13	83
26106-060302	10	12
	11	12
26106-060352	12	125
26106-060402	13	84
26106-080122	3	12
	9	11
		22
		24
	10	33
	11	33
26106-080162	2	24
		37
		42
	4	65
	7	8
	9	12
	12	136
26106-080182	14	57
26106-080202	2	25
		26
26106-080222	12	137
		138
26106-080252	6	9
26106-080302	15	3
26106-080352	5	7
26106-080402	2	27
	4	43
26106-080452	2	28
		29
	5	3
26106-080552	7	13
	10	13
		18
	11	13

Parts No.	Fig. No.	Ref. No.
26106-080602	4	44
		45
	10	34
	11	34
26106-080702	2	30
26106-080752	2	31
26106-080802	5	4
	11	18
26106-100202	12	139
26106-120252	16	31
26206-100352	3	5
26206-100702	3	6
26216-100302	2	19
26226-080222	4	42
26306-080002	4	46
	6	6
		10
26306-100002	2	32
	17	27
26450-100452	12	126
26756-060002	13	66
26776-180002	12	127
27241-300000	1	14
27241-400000	4	8
27310-070001	4	20
729900-02801	1	30
729906-01561	1	1
729906-53100	14	1
729907-01559	2	1
729936-51320	12	1
977770-1207F	18	30
X2240610100	16	23
X9490561001	17	3

Parts No.	Fig. No.	Ref. No.
-----------	----------	----------

Parts No.	Fig. No.	Ref. No.
-----------	----------	----------