

0CW10-M02600EN

PREFACE

- 1.This Parts Catalog carries all parts incorporated in YANMAR Model 4TNE94L-1B41F engine manufactured since May, 2005.
- 2.Each illustration corresponds to the parts list on the following page.
- 3.When ordering parts,clearly write down the engine model and serial number,as well as the name and number of each part in your order sheet. This will help insure reliable delivery of the parts you have ordered.

Directions for the Parts Catalog.

1. This Parts Catalog shows both standard and optional parts.
2. Parts may change without prior notice.
3. The following is an example of the Parts Catalog format.

REF.	LEV.	PARTS NO.	DESCRIPTION	Q'TY						I	R
				(A)	(B)	(C)	(D)	(E)	(F)		
1	1	729595-51390	FUEL INJECTION PUMP	1	1	1	1	1			1
1-1	1	729595-51391	FUEL INJECTION PUMP	1	1	1	1	1		N	1
		(A=E00185) (B=E00200)									
3	2	26022-060162	SCREW M 6X 16	9	9	9	9	9			
3-1	2	26022-060162	SCREW M 6X 16	4	4	4	4	4		K	
		(A=E00156) (B=E00156) (C=E00156) (D=E00156) (E=E00156)									
4	2	129470-51040	CAMSHAFT	1	1	1	1	1			
5	2	122710-51050	BEARING, ROLLER	2	2	2	2	2			
6	2	129470-51060	RETAINER	1	1	1	1	1			

Remarks
(1) BOOST COMPEMSATOR TYPE. OPTIONAL PART, TO E00155,(4JH-DT, 4JH-DTZ

① Ref. No.

The Ref. No. listed may not be in accordance with the illustration Ref. No.

(Ex.) Illustration No.

List Ref No.

1 1 (Before change) → 1-1 (After change)

For interchangeable symbols N, R and K, illustrations for new parts may be abbreviated.

② Lev. (Level)

Level indication

The numbers below indicate the level of relativity towards the main part.

1 ---- Main parts (Assembly parts)

2 ---- Sub component included in " 1 ".

3 ---- Sub component included in " 2 ".

Note) Parts that are not for sale are partially illustrated but not listed.

③ Interchangeability Symbol

When a part change takes place, one of the following interchangeability symbols is indicated beside the part.

Symbol	Interchangeability	Contents note
N	Old $\begin{matrix} \leftarrow \text{Yes} \\ \text{No} \rightarrow \end{matrix}$ New	New Part is interchangeable for Old Part but Old Part is not interchangeable for New Part.
Q	Old $\begin{matrix} \leftarrow \text{No} \\ \text{Yes} \rightarrow \end{matrix}$ New	New Part is not interchangeable for Old Part but Old Part is interchangeable for New Part.
R	Old $\begin{matrix} \leftarrow \text{Yes} \\ \text{Yes} \rightarrow \end{matrix}$ New	New/ Old Parts are both interchangeable.
S	Old $\begin{matrix} \leftarrow \text{No} \\ \text{No} \rightarrow \end{matrix}$ New	New/ Old Parts are both not interchangeable.
W		Part newly added.
Z		Part discontinued.
F		Not interchangeable by a single part but interchangeable together with related parts.
K		Changes only for used parts quantities.

④ Effective Machine No.

When a part changes, the effective Machine No. will be indicated in the (A)-(F) column.

Product Symbol	Product No.	Product Symbol	Product No.
C	Clutch No. Compressor No.	F	Machine No. (Agricultural Equip.)
D	Drive No.	M	Machine No.
E	Engine No.		

Note 1) A date may follow the symbol. (Ex.) 1996.01

Note 2) "XXXXX" and "ZZZZZ" are for parts that could not be predicted or for engine models that could not be identified.

Note 3) (A=E00185) is the E (Engine Serial Number) for the column (A) model (in this case 4JH-DT) after the parts design change.

⑤ Remarks

Figures or alphabets (symbols) are entered in the remarks column.

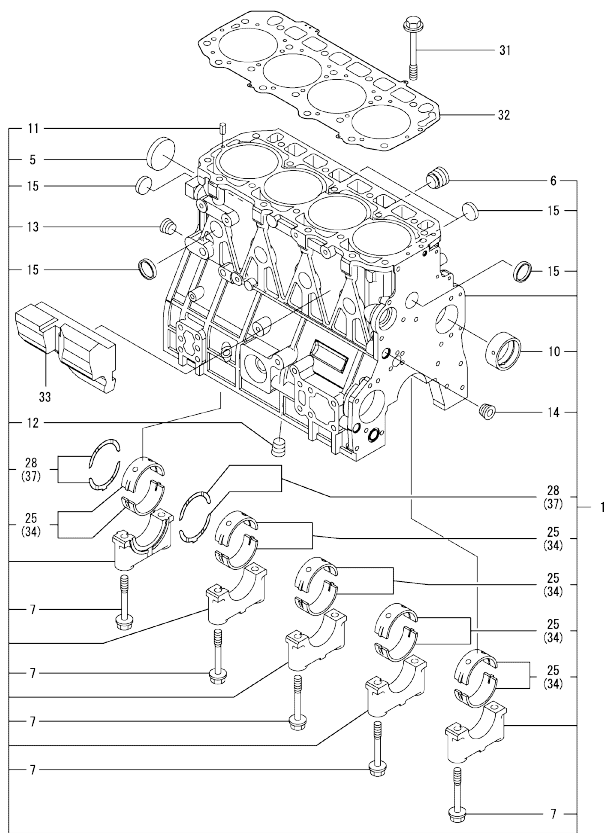
The comments (remarks) on parts that are indicated at the bottom of the illustration are the same symbols as those stated above.

Contents

0CW10-M02600

Fig. No.	Fig. Name	Fig. No.	Fig. Name
4TNV94L-VLX			
1.	CYLINDER BLOCK		
2.	GEAR HOUSING		
3.	FLYWHEEL HOUSING & OIL SUMP		
4.	CYLINDER HEAD & BONNET		
5.	SUCTION & EXHAUST MANIFOLD		
6.	CAMSHAFT & DRIVING GEAR		
7.	CRANKSHAFT & PISTON		
8.	LUB. OIL SYSTEM		
9.	COOLING WATER SYSTEM		
10.	FUEL INJECTION PUMP		
11.	GOVERNOR		
12.	FUEL INJECTION VALVE		
13.	FUEL PIPE		
14.	STARTING MOTOR		
15.	GENERATOR		
16.	GASKET SET		

Fig.1. CYLINDER BLOCK



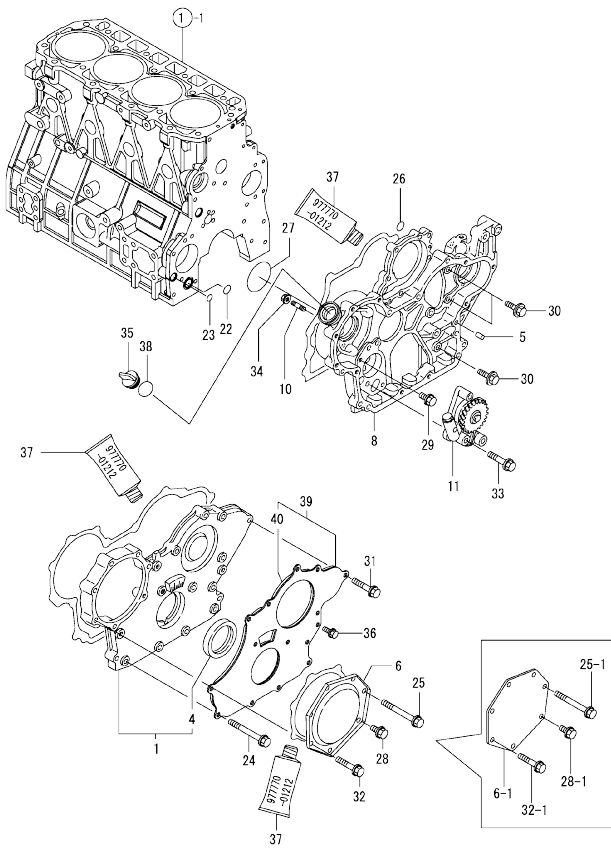
(A)=4TNV94L-VLX
(B)=
(C)=

(D)=
(E)=
(F)=

No.	Lev.	Parts No.	Description	Q'ty						I	R
				(A)	(B)	(C)	(D)	(E)	(F)		
1	1	729906-01560	BLOCK ASSY, CYLINDER	1							
5	2	129900-01250	PLUG, 55	1							
6	2	171051-01921	PLUG, NPTF1	1							
7	2	129900-02020	BOLT, METAL CAP	10							
10	2	129900-02410	BUSH, CAMSHAFT	1							
11	2	22351-060012	PIN, SPRING 6.0X12	2							
12	2	23876-030000	PLUG, R03	1							
13	2	23876-030000	PLUG, R03	1							
14	2	23876-030000	PLUG, R03	1							
15	2	27241-300000	PLUG 30	8							
25	2	729900-02800	BEARING, MAIN	5							3
28	2	129900-02930	BEARING, THRUST	2							
31	1	129900-01200	BOLT, HEAD	18							
32	1	129906-01340	GASKET, HEAD	1							
32-1	1	129907-01331	GASKET, HEAD	1							N
32-2	1	(A=2009.06) 129906-01350	GASKET, HEAD	1							N
33	1	(A=2009.12) 129907-01190	SPACER	1							
34	1	129900-02340	BEARING, 0.25 US	5							1
37	1	129900-02940	BEARING, THRUST 0.25	2							2

Remarks
(1) UNDER-SIZED(U.S=0.25)PART.
(2) OVER-SIZED(O.S=0.25)PART.
(3) REPAIR PART.

Fig.2. GEAR HOUSING



(A)=4TNV94L-VLX
(B)=
(C)=

(D)=
(E)=
(F)=

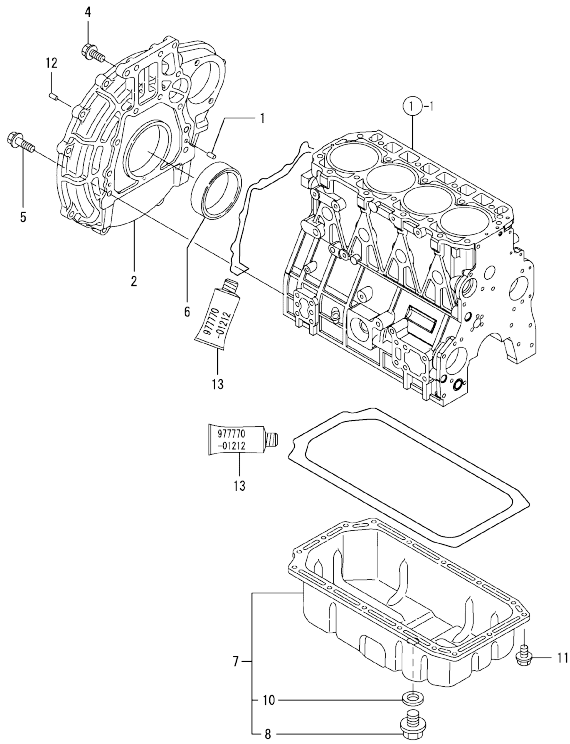
No.	Lev.	Parts No.	Description	Qty						I	R	
				(A)	(B)	(C)	(D)	(E)	(F)			
1	1	729907-01550	COVER ASSY,GEAR CASE	1								
4	2	129900-01780	SEAL, OIL	1								
5	1	129100-01580	PIN, M8X16	4								
6	1	129900-01740	COVER	1								
6-1	1	129951-01740	COVER	1								N
(A=EXXXXX)												
8	1	129906-01500	CASE ASSY, GEAR	1								
10	1	26216-100302	STUD, M10X 30	4								
11	1	129900-32001	PUMP ASSY, OIL	1								
22	1	129900-32030	O-RING, P20	1								
23	1	129900-32040	O-RING, P14	1								
24	1	129001-91810	BOLT, M8X70	6								
25	1	129001-91810	BOLT, M8X70	1								
25-1	1	26106-080702	BOLT, M8X 70 PLATED	1								R
(A=EXXXXX)												
25-2	1	26106-080752	BOLT, M8X 75 PLATED	1								N
(A=EXXXXX)												
26	1	24311-000070	O-RING, 1AP7.0	1								
27	1	24351-030750	O-RING, 1A3075	1								
28	1	26106-080162	BOLT, M8X 16 PLATED	1								
28-1	1	26106-080202	BOLT, M8X 20 PLATED	1								N
(A=EXXXXX)												
29	1	26106-080162	BOLT, M8X 16 PLATED	1								
30	1	26106-080202	BOLT, M8X 20 PLATED	3								
31	1	26106-080402	BOLT, M8X 40 PLATED	5								
32	1	26106-080402	BOLT, M8X 40 PLATED	5								
32-1	1	26106-080452	BOLT, M8X 45 PLATED	5								N
(A=EXXXXX)												
33	1	26106-080452	BOLT, M8X 45 PLATED	3								
34	1	26306-100002	NUT, M10	4								
35	1	124160-01751	COVER, FILLER	1								
36	1	26106-080162	BOLT, M8X 16 PLATED	3								
37	1	977770-01212	GASKET, LIQUID	1								1
38	1	24311-000320	O-RING, 1AP32.0	1								
39	1	129900-01850	COVER ASSY,GEAR CASE	1								
40	2	129900-01870	SPONGE	1								

Remarks
(1) OPTIONAL PART.

Fig.3. FLYWHEEL HOUSING & OIL SUMP

(A)=4TNV94L-VLX
(B)=
(C)=

(D)=
(E)=
(F)=



No.	Lev.	Parts No.	Description	Q'ty						I	R
				(A)	(B)	(C)	(D)	(E)	(F)		
1	1	129100-01580	PIN, M8X16	2							
2	1	129930-01620	HOUSING, FLYWHEEL	1							
4	1	26206-100252	BOLT, M10X 25 PLATED	4							
5	1	26206-100352	BOLT, M10X 35 PLATED	9							
6	1	129916-01790	SEAL, D115/95XT11	1							
7	1	129930-01710	SUMP ASSY, OIL	1							
8	2	119640-01640	PLUG, DRAIN M22	1							
10	2	22190-220002	WASHER, SEAL 22	1							
11	1	26106-080122	BOLT, M8X 12 PLATED	16							
12	1	22312-120200	PIN, PARALLEL M12X20	2							
13	1	977770-01212	GASKET, LIQUID	1							1

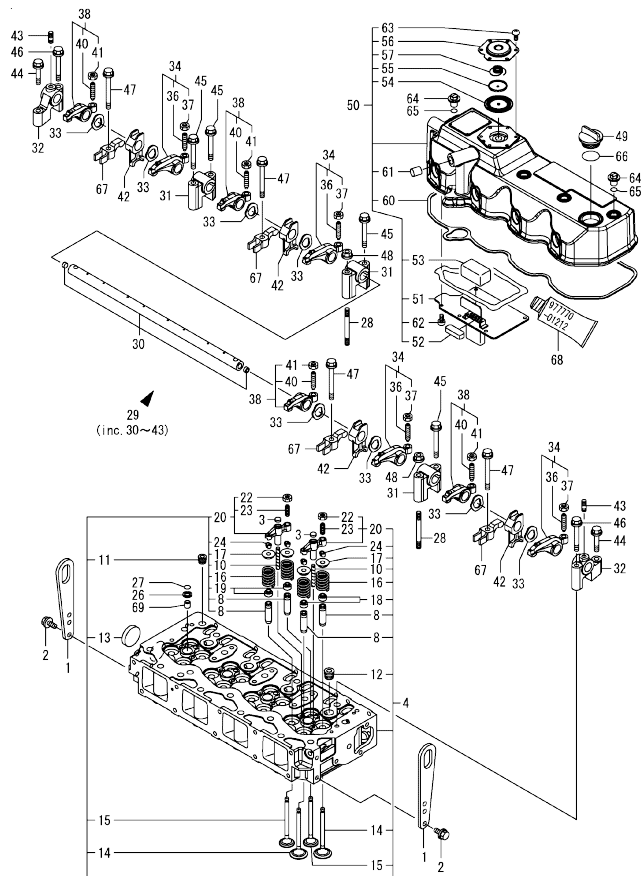
Remarks
(1) OPTIONAL PART.

Fig.4. CYLINDER HEAD & BONNET

(A)=4TNV94L-VLX
(B)=
(C)=

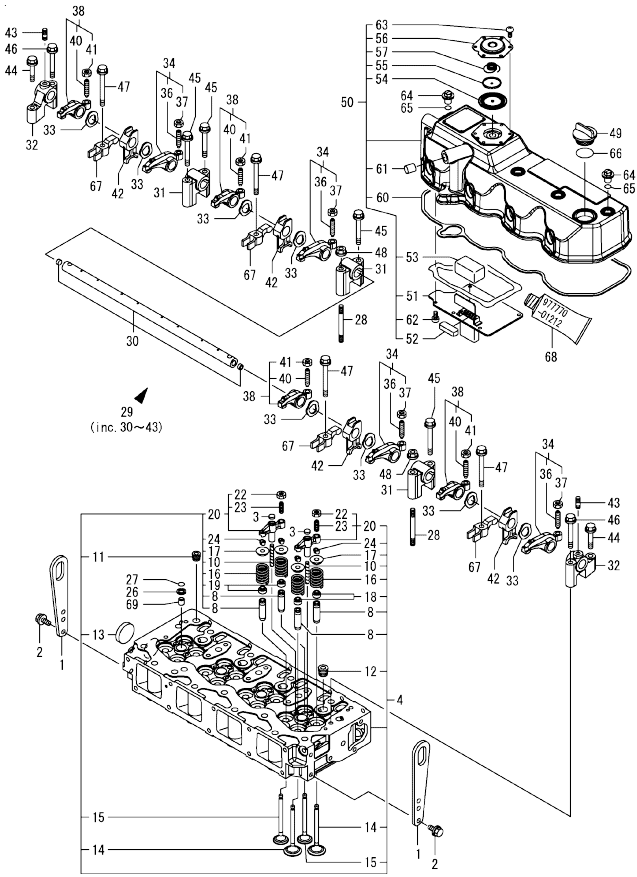
(D)=
(E)=
(F)=

No.	Lev.	Parts No.	Description	Q'ty						I	R
				(A)	(B)	(C)	(D)	(E)	(F)		
1	1	129900-07900	LIFTER	2							
2	1	26106-080162	BOLT, M8X 16 PLATED	4							
3	1	123907-11550	SEAT, VALVE BRIDGE	8							
4	1	129907-11700	HEAD ASSY, CYLINDER	1							2
8	2	129907-11800	GUIDE, VALVE	16							
10	2	123907-11820	GUIDE	8							
11	2	23876-020000	PLUG, R02	1							
12	2	23876-030000	PLUG, R03	4							
13	2	27241-400000	PLUG, 40	1							
14	2	129907-11100	VALVE, INTAKE	8							
15	2	129907-11110	VALVE, EXHAUST	8							
16	2	129907-11120	SPRING, VALVE	16							
17	2	119620-11180	RETAINER, SPRING	16							
18	2	124160-11340	SEAL, VALVE STEM	8							
19	2	124950-11340	SEAL, VALVE STEM	8							
20	2	129907-11510	BRIDGE ASSY, VALVE	8							
22	3	129150-11750	NUT, M8	8							
23	3	123907-11830	ADJUSTER	8							
24	2	27310-070001	COTTER, 7	16							
26	1	119625-11880	SEAT, NOZZLE	4							
27	1	24311-000120	O-RING, 1AP12.0	4							
28	1	119593-11301	STUD, M8X80	2							
29	1	129907-11341	SHAFT ASSY, ROCKER	1							
30	2	129907-11250	SHAFT, ROCKER ARM	1							
31	2	129907-11260	SUPPORT, ROCKER ARM	3							
32	2	129907-11270	SUPPORT, ROCKER ARM	2							
33	2	123907-11280	WASHER	8							
34	2	129907-11650	ARM, ROCKER	4							
36	3	129150-11230	SCREW, VALVE ADJUST	4							
37	3	129150-11750	NUT, M8	4							
38	2	129907-11660	ARM, ROCKER	4							
40	3	129150-11230	SCREW, VALVE ADJUST	4							
41	3	129150-11750	NUT, M8	4							
42	2	129907-11920	RETAINER	4							
43	2	26226-080222	STUD, M8X 22	2							
44	1	26106-080402	BOLT, M8X 40 PLATED	2							
45	1	26106-080602	BOLT, M8X 60 PLATED	4							
46	1	26106-080602	BOLT, M8X 60 PLATED	2							
47	1	129907-11950	BOLT, M8X75	4							
48	1	26306-080002	NUT, M8	2							
49	1	124160-01751	COVER, FILLER	1							
50	1	129907-11320	BONNET ASSY, HEAD	1							
51	2	129907-03011	PLATE	1							
52	2	129907-03061	BAFFLE, BREATHER	1							
53	2	129907-03070	BAFFLE, BREATHER	1							
54	2	123907-03100	DIAPHRAGM	1							
55	2	123907-03110	PLATE	1							
56	2	123907-03120	PLATE, BREATHER	1							
57	2	123907-03140	SPRING, DIAPHRAGM	1							
60	2	129907-11310	GASKET, BONNET	1							
61	2	119640-61400	PLUG	1							



Remarks
(1) OPTIONAL PART.
(2) REPAIR PART.

Fig.4. CYLINDER HEAD & BONNET



(A)=4TNV94L-VLX
(B)=
(C)=

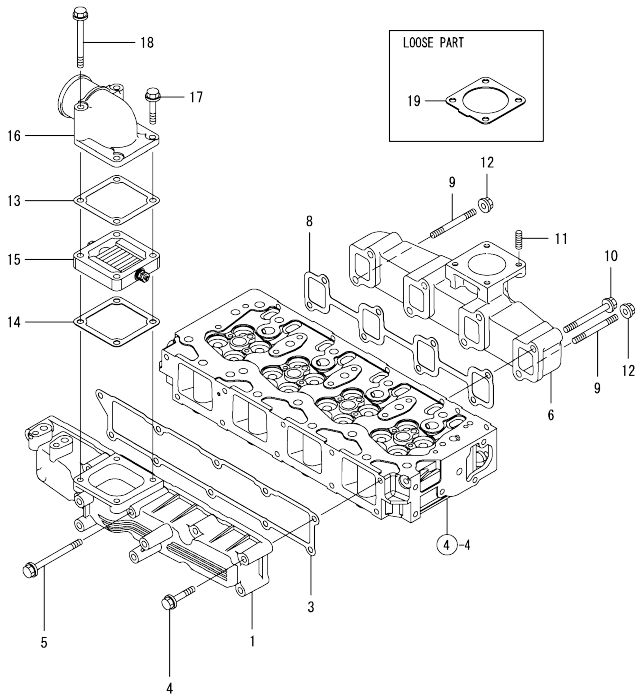
(D)=
(E)=
(F)=

No.	Lev.	Parts No.	Description	(A)	(B)	(C)	(D)	(E)	(F)	I	R
62	2	22857-500100	SCREW, 5X10	6							
63	2	22857-500100	SCREW, 5X10	6							
64	1	124160-11360	KNOB	4							
65	1	24311-000120	O-RING, 1AP12.0	4							
66	1	24311-000320	O-RING, 1AP32.0	1							
67	1	129907-11910	RETAINER, NOZZLE	4							
68	1	977770-01212	GASKET, LIQUID	1							1
69	1	119802-11870	PROTECTOR, NOZZLE	4							

Remarks
(1) OPTIONAL PART.
(2) REPAIR PART.

Fig.5. SUCTION & EXHAUST MANIFOLD

零件名: 000Y00N0260-1
 图号: 2007.06
 REVISION: June, 2007

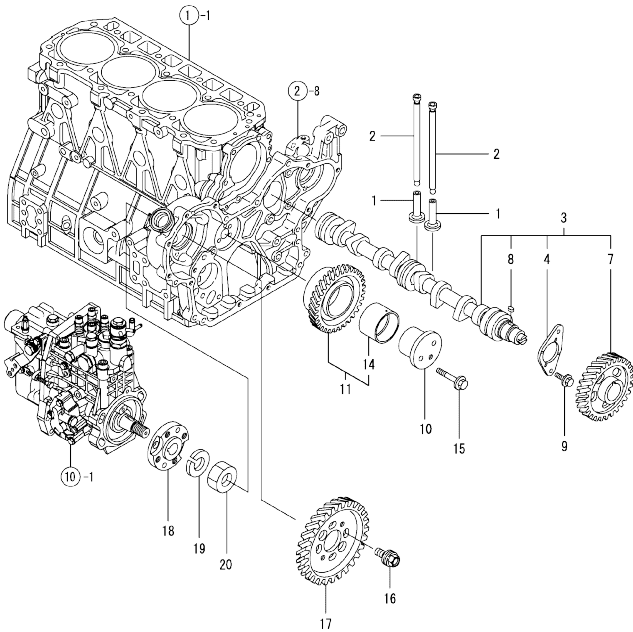


(A)=4TNV94L-VLX
 (B)=
 (C)=

(D)=
 (E)=
 (F)=

No.	Lev.	Parts No.	Description	Q'ty						I	R
				(A)	(B)	(C)	(D)	(E)	(F)		
1	1	129907-12100	MANIFOLD, AIR INTAKE	1							
3	1	129907-12110	GASKET, MANIFOLD	1							
4	1	26106-080552	BOLT, M8X 55 PLATED	9							
5	1	26106-080852	BOLT, M8X 85 PLATED	1							
6	1	129900-13200	MANIFOLD, EXHAUST	1							
8	1	129900-13251	GASKET	1							
9	1	123900-13610	STUD, M8X80	2							
10	1	123900-13630	BOLT, M8X80	6							
11	1	119131-18320	STUD, M8X22	4							
12	1	26306-080002	NUT, M8	2							
13	1	119129-77020	GASKET	1							
14	1	121850-77021	GASKET	1							
15	1	119005-77050	HEATER	1							
16	1	119129-77520	BEND	1							
16-1	1	129927-77520	BEND, INTAKE	1							N
(A=2007.05.)											
17	1	26106-080402	BOLT, M8X 40 PLATED	2							
18	1	26106-080902	BOLT, M8X 90 PLATED	2							
19	1	129930-13201	GASKET, SILENCER	1							

Fig.6. CAMSHAFT & DRIVING GEAR



(A)=4TNV94L-VLX
(B)=
(C)=

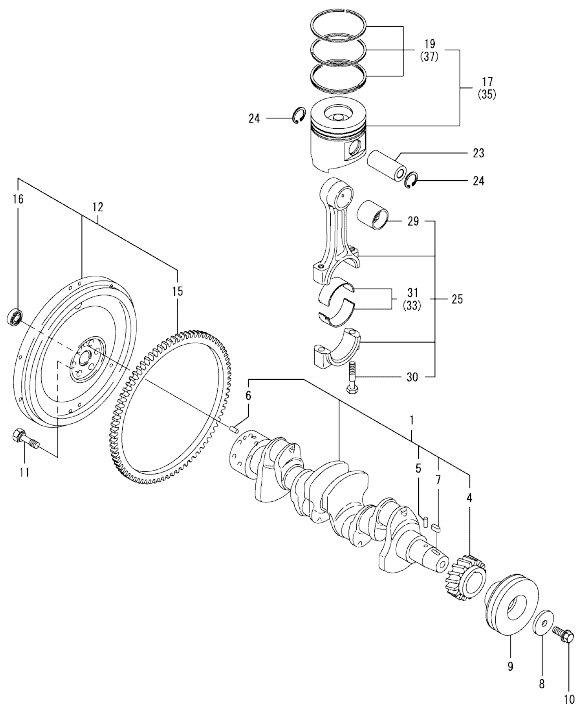
(D)=
(E)=
(F)=

No.	Lev.	Parts No.	Description	Q'ty						I	R
				(A)	(B)	(C)	(D)	(E)	(F)		
1	1	129150-14200	TAPPET	8							
2	1	129907-14400	ROD, PUSH	8							
3	1	129907-14581	CAMSHAFT ASSY	1							
3-1	1	129908-14581	CAMSHAFT ASSY	1							N
		(A=EZZZZZ)									
4	2	129150-02450	BEARING, THRUST	1							
7	2	129900-14100	GEAR, CAMSHAFT	1							
8	2	22512-070140	KEY, 7X 14	1							
9	1	26106-080162	BOLT, M8X 16 PLATED	2							
10	1	123900-25060	SHAFT, IDLE GEAR	1							
11	1	129900-25100	GEAR ASSY, IDLE	1							
14	2	129150-25920	BUSH, IDLE GEAR	1							1
15	1	26106-080552	BOLT, M8X 55 PLATED	3							
16	1	129953-25300	BOLT	4							
17	1	129907-25900	GEAR, PUMP	1							
18	1	158563-51150	FLANGE	1							
19	1	22217-180000	WASHER, SPRING 18	1							
20	1	26776-180002	NUT, LOCK M18	1							

Remarks
(1) REPAIR PART.

N:Old $\frac{100}{100}$ New, Q:Old $\frac{100}{100}$ New, R:Old $\frac{100}{100}$ New, S:Old $\frac{100}{100}$ New, W:Add, Z:Discontinued, F:Interchangeable by set, K:Q'ty Change
Copyright (C) YANMAR GLOBAL CS CO., LTD. All Rights Reserved.

Fig.7. CRANKSHAFT & PISTON

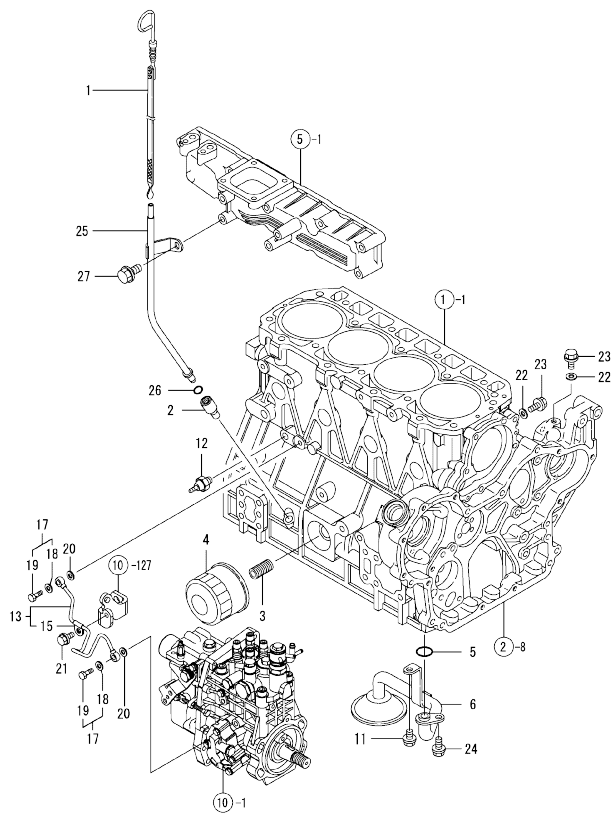


No.	Lev.	Parts No.	Description	Q'ty						I	R
				(A)	(B)	(C)	(D)	(E)	(F)		
1	1	129902-21000	CRANKSHAFT ASSY	1							
4	2	129900-21200	GEAR, CRANKSHAFT	1							
5	2	121850-21290	PIN	1							
6	2	121850-21920	PIN, M10X22	1							
7	2	22512-070140	KEY, 7X 14	1							
8	1	129900-21640	WASHER	1							
9	1	129907-21660	V-PULLEY, 130	1							
10	1	121850-21680	BOLT	1							
11	1	121850-21130	BOLT, FLYWHEEL	6							
12	1	129904-21590	FLYWHEEL ASSY	1							
15	2	129900-21600	GEAR, RING	1							
16	2	129930-21690	BEARING, BALL 6202	1							
17	1	129906-22080	PISTON ASSY	4							
17-1	1	129906-22090	PISTON ASSY	4							F 4
(A=*2009.12)											
19	2	129906-22050	RING SET, PISTON	4							
23	1	120130-22301	PIN, PISTON	4							
24	1	22252-000300	RING, 30	8							
25	1	129900-23001	ROD ASSY, CONNECTING	4							
29	2	129900-23911	BEARING, PISTON PIN	4							1
30	2	129900-23200	BOLT, CONNECTING ROD	8							
31	2	129900-23600	BEARING, CRANK PIN	4							
33	1	129900-23610	BEARING, 0.25 US	4							2
35	1	729906-22900	PISTON ASSY, 0.25 OS	4							3
35-1	1	129906-22900	PISTON ASSY, 0.25 OS	4							R 3
(A=EXXXXX)											
35-2	1	129906-22910	PISTON ASSY, 0.25 OS	4							F 3
(A=*2009.12)											
37	2	729906-22950	RING SET, 0.25 OS	4							3
37-1	2	129916-22950	RING SET, 0.25 OS	4							R 3
(A=EXXXXX)											

Remarks

- (1) Repair part.
- (2) Under-sized (U.S.=0.25) part.
- (3) Over-sized (O.S.=0.25) part.
- (4) Ref. No.17 is interchangeable with a set of Ref. No.17-1 and Fig.1 Ref. No.32-2.

Fig.8. LUB. OIL SYSTEM



(A)=4TNV94L-VLX
(B)=
(C)=

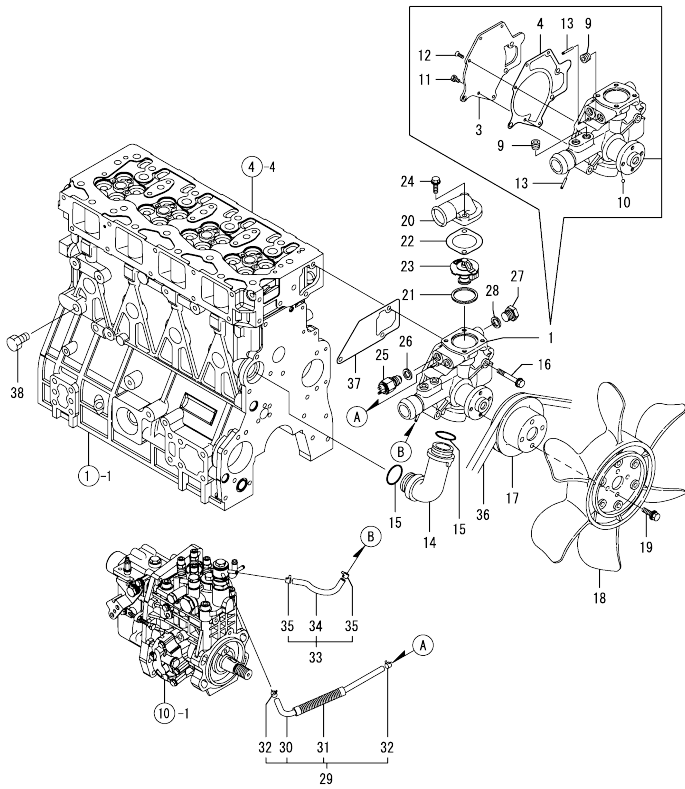
(D)=
(E)=
(F)=

No.	Lev.	Parts No.	Description	Q'ty						I	R
				(A)	(B)	(C)	(D)	(E)	(F)		
1	1	129906-34811	DIPSTICK, OIL	1							
2	1	119260-34810	GUIDE, DIPSTICK	1							
3	1	119000-35140	BOLT, FILTER	1							
4	1	129150-35153	FILTER	1							1
5	1	129900-32030	O-RING, P20	1							
6	1	129930-35000	PIPE ASSY, OIL INLET	1							
11	1	26106-080122	BOLT, M8X 12 PLATED	1							
12	1	114250-39450	SWITCH, 0.5KG	1							
13	1	129907-39061	PIPE ASSY, OIL	1							
15	2	123907-39500	RETAINER	1							
17	1	129005-59830	BOLT ASSY, JOINT M8	2							
18	2	22190-080002	WASHER, SEAL 6	2							
19	2	23857-030000	BOLT, JOINT 3	2							
20	1	22190-080002	WASHER, SEAL 6	2							
21	1	26106-080122	BOLT, M8X 12 PLATED	1							
22	1	22190-080002	WASHER, SEAL 6	2							
23	1	26106-080122	BOLT, M8X 12 PLATED	2							
24	1	26106-080122	BOLT, M8X 12 PLATED	1							
25	1	129940-34840	GUIDE, DIPSTICK	1							
26	1	24311-240100	O-RING, 1AP10A	1							
27	1	26106-080162	BOLT, M8X 16 PLATED	1							

Remarks
(1) REPAIR PART.

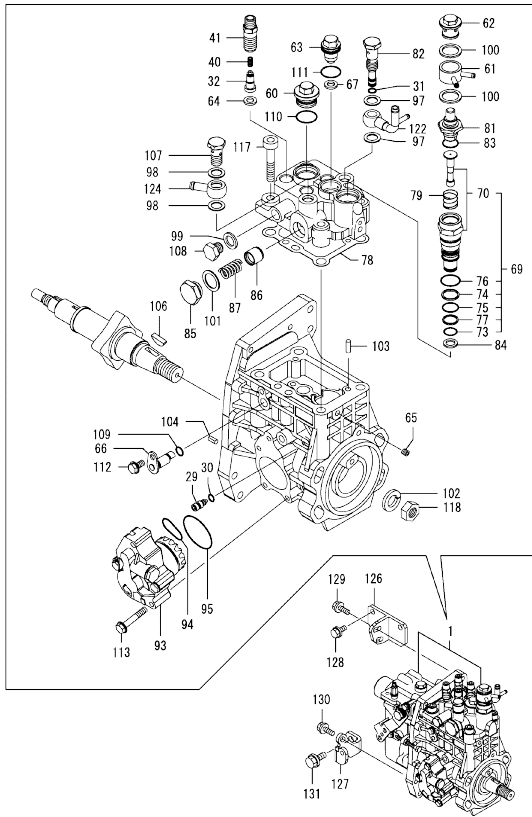
N:Old $\frac{100}{100}$ New, Q:Old $\frac{100}{100}$ New, R:Old $\frac{100}{100}$ New, S:Old $\frac{100}{100}$ New, W:Add, Z:Discontinued, F:Interchangeable by set, K:Q'ty Change
Copyright (C) YANMAR GLOBAL CS CO., LTD. All Rights Reserved.

Fig.9. COOLING WATER SYSTEM



No.	Lev.	Parts No.	Description	Q'ty						I	R
				(A)	(B)	(C)	(D)	(E)	(F)		
1	1	129907-42051	PUMP ASSY, WATER	1							
3	2	129900-42161	COVER	1							
4	2	129900-42170	GASKET	1							
9	2	23876-030000	PLUG, R03	3							
10	2	24190-080001	BALL, STEEL 1/4	1							
11	2	26116-060162	BOLT, M6X 16 PLATED	2							
12	2	26577-060142	SCREW M 6X 14	3							
13	2	119802-49113	JOINT, PIPE	2							
14	1	129900-42070	PIPE, WATER	1							
15	1	129900-42140	O-RING, P36	2							
16	1	26106-080552	BOLT, M8X 55 PLATED	3							
17	1	129900-42461	V-PULLEY	1							
18	1	129900-44700	FAN, COOLING D=410	1							
19	1	26014-080162	BOLT, M8X 16	4							
20	1	129900-49551	COVER, THERMOSTAT	1							
21	1	121850-49550	GASKET, THERMOSTAT	1							
22	1	129900-49560	GASKET	1							
23	1	121850-49810	THERMOSTAT, 71	1							
24	1	26106-080252	BOLT, M8X 25 PLATED	2							
25	1	121250-44901	SWITCH, 110	1							
26	1	124465-44950	GASKET, 16	1							
27	1	121450-42450	PLUG, M16	1							
28	1	124465-44950	GASKET, 16	1							
29	1	129907-49610	HOSE ASSY, WATER	1							
30	2	129907-49710	PIPE ASSY, WATER	1							
31	2	129907-49750	TUBE, CORRUGATED	1							
32	2	124722-59050	CLIP, HOSE 9	2							
33	1	129962-49620	HOSE ASSY, WATER	1							
34	2	129962-49720	PIPE ASSY, WATER	1							
35	2	124722-59050	CLIP, HOSE 9	2							
36	1	25132-004500	V-BELT, A45	1							M
36-1	1	25132-004600	V-BELT, A46	1							
37	1	129900-42061	GASKET, WATER PUMP	1							
38	1	171056-49120	PLUG, DRAIN	1							

Fig.10. FUEL INJECTION PUMP



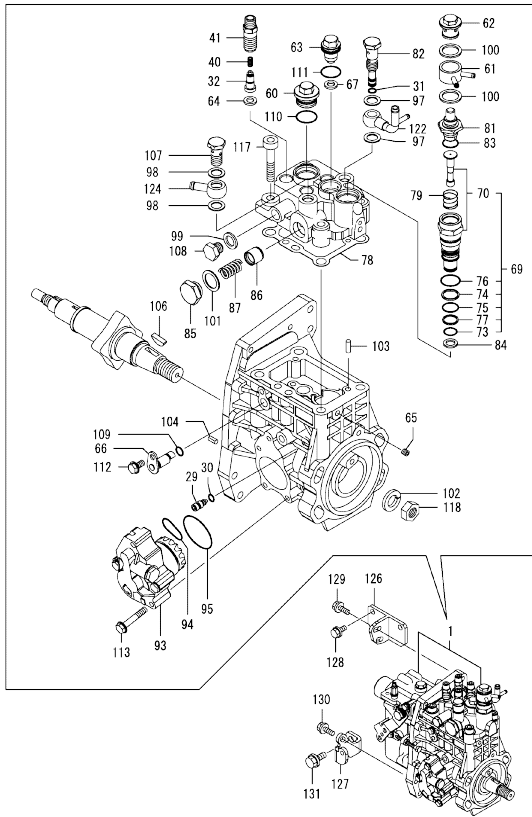
(A)=4TNV94L-VLX
(B)=
(C)=

(D)=
(E)=
(F)=

No.	Lev.	Parts No.	Description	Q'ty						I	R
				(A)	(B)	(C)	(D)	(E)	(F)		
1	1	729906-51370	PUMP ASSY, INJECTION	1							1
29	2	158600-51270	STOPPER, TAPPET	1							
30	2	158563-51281	O-RING, 4D S6	1							
31	2	158563-51281	O-RING, 4D S6	1							
32	2	158560-51300	VALVE ASSY, DELIVERY	4							
40	2	158563-51330	SPRING, DELIVERY	4							
41	2	158560-51340	HOLDER, DELIVERY	4							
60	2	158601-51550	PLUG	1							
61	2	158553-51551	JOINT	1							
62	2	158601-51570	PLUG	1							
63	2	129907-51560	PLUG, BARREL	1							
64	2	158552-51570	GASKET	4							
65	2	158557-51570	PLUG	1							
66	2	158552-51580	LIFTER	1							
67	2	129906-51580	GASKET	1							
69	2	119802-51590	TIMER SET	1							
70	3	119802-51600	TIMER ASSY	1							
73	3	158553-51670	O-RING, 1011	1							
74	3	119802-51680	RING, BACK UP	1							
75	3	119802-51690	O-RING	1							
76	3	24356-010200	O-RING, 4D1020	1							
77	3	24372-000150	RING, BACK UP T2P15	1							
78	2	158560-51600	GASKET	1							
79	2	158553-51630	SPRING, TIMER	1							
81	2	158553-51640	ELEMENT	1							
82	2	158601-51650	JOINT, OVER FLOW	1							
83	2	158553-51660	O-RING, P14	1							
84	2	158553-51680	GASKET	1							
85	2	158601-51790	PLUG	1							
86	2	158601-51770	PISTON	1							
87	2	158552-51780	SPRING	1							
93	2	158552-52100	PUMP ASSY, FUEL FEED	1							
94	2	158552-52310	O-RING	1							
95	2	158552-52400	O-RING, 4E S42	1							
97	2	22190-120002	WASHER, SEAL 12	2							
98	2	22190-120002	WASHER, SEAL 12	2							
99	2	22190-120002	WASHER, SEAL 12	1							
100	2	22190-180002	WASHER, SEAL 18	2							
101	2	22190-180002	WASHER, SEAL 18	1							
102	2	22217-180000	WASHER, SPRING 18	1							
103	2	22312-050140	PIN, PARALLEL M5X14	2							
104	2	22351-050010	PIN, SPRING 5.0X10	2							
106	2	144626-51090	KEY, 5X19	1							
107	2	23857-060000	BOLT, JOINT 6	1							
108	2	23887-120002	PLUG, 12	1							
109	2	24311-000070	O-RING, 1AP7.0	1							
110	2	24356-010200	O-RING, 4D1020	1							
111	2	24356-020210	O-RING, 4D2021	1							
112	2	26106-060102	BOLT, M6X 10 PLATED	1							
113	2	26106-060352	BOLT, M6X 35 PLATED	4							
117	2	26450-100452	BOLT, M10X 45	4							

Remarks
(1) GOVERNOR ASSY(FIG.11) IS
INCORPORATED IN THIS FOP.CMP
(REF.NO.1).

Fig.10. FUEL INJECTION PUMP



(A)=4TNV94L-VLX
(B)=
(C)=

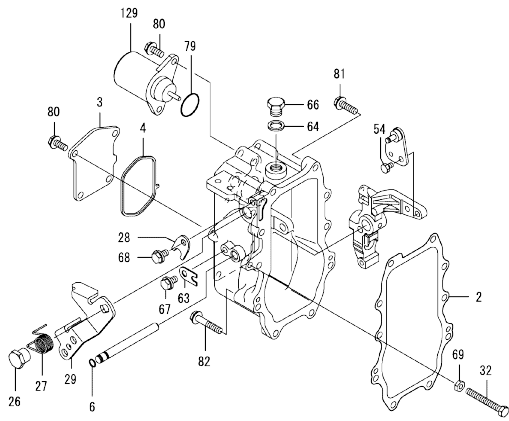
(D)=
(E)=
(F)=

No.	Lev.	Parts No.	Description	Q'ty					
				(A)	(B)	(C)	(D)	(E)	(F)
118	2	26776-180002	NUT, LOCK M18	1					
122	2	158552-51670	JOINT, OVER FLOW	1					
124	2	129916-59020	JOINT, PIPE 12	1					
126	1	129907-01950	RETAINER	1					
127	1	129907-01960	RETAINER	1					
128	1	26106-080162	BOLT, M8X 16 PLATED	2					
129	1	26106-080222	BOLT, M8X 22 PLATED	2					
130	1	26106-080222	BOLT, M8X 22 PLATED	1					
131	1	26106-100202	BOLT, M10X 20 PLATED	1					

Remarks
(1) GOVERNOR ASSY(FIG.11) IS
INCORPORATED IN THIS FOP.CMP
(REF.NO.1).

0CW10-M02600 4TNV94L-VLX
 Fig.11. GOVERNOR

0CW10-M02600 Fig.11

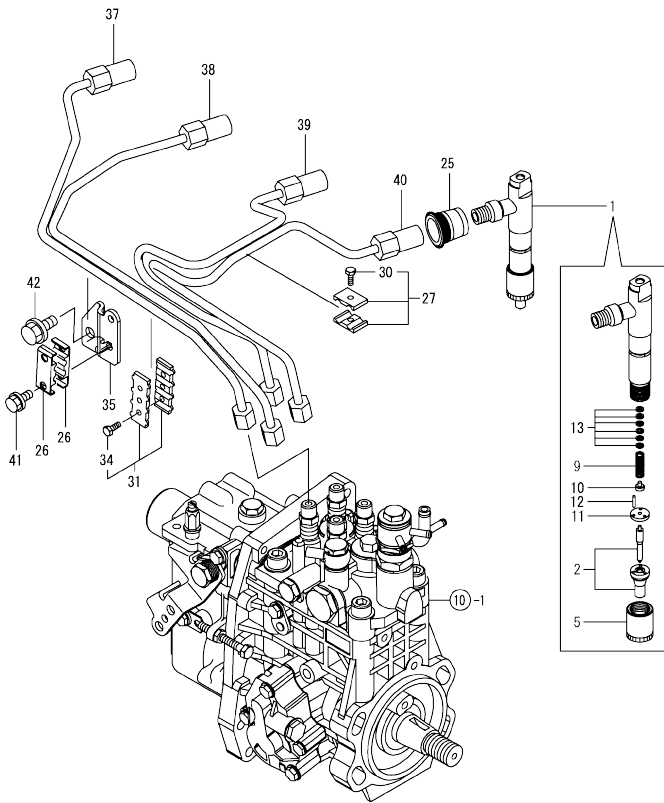


No.	Lev.	Parts No.	Description	Q'ty						I	R
				(A)	(B)	(C)	(D)	(E)	(F)		
2	2	158560-61050	GASKET	1							
3	2	158560-61061	COVER, GOVERNOR CASE	1							
4	2	158560-61071	GASKET	1							
6	2	129155-51280	O-RING, S6	1							
26	2	129255-61410	NUT, LOCK	1							
27	2	119807-61420	SPRING, RETURN	1							
28	2	158560-61430	RETAINER, SHAFT	1							
29	2	158560-61441	LEVER, REGULATOR	1							
32	2	129155-61460	BOLT, IDLE	1							
54	2	26116-060102	BOLT, M6X 10 PLATED	1							
63	2	119660-61901	RETAINER, SHAFT	1							
64	2	22190-160002	WASHER, SEAL 16	1							
66	2	23887-160002	PLUG, 16	1							
67	2	26106-060102	BOLT, M6X 10 PLATED	1							
68	2	26106-060102	BOLT, M6X 10 PLATED	1							
69	2	26756-060002	NUT, LOCK M6	1							
79	2	24341-000280	O-RING, 1AS28.0	1							
79-1	2	158552-61900	O-RING	1							N
(A=EXXXXX)											
80	2	26106-060142	BOLT, M6X 14 PLATED	6							
81	2	26106-060252	BOLT, M6X 25 PLATED	8							
82	2	26106-060402	BOLT, M6X 40 PLATED	2							
129	2	119233-77932	SOLENOID, STOP	1							

Remarks
 * THIS FIGURE(GOVERNOR ASSY)IS
 INCORPORATED IN THE FUEL INJECTION
 PUMP ASSY(FIG.10).

N:Old $\frac{100}{100}$ New. Q:Old $\frac{100}{100}$ New. R:Old $\frac{100}{100}$ New. S:Old $\frac{100}{100}$ New. W:Add. Z:Discontinued. F:Interchangeable by set. K:Q'ty Change
 Copyright (C) YANMAR GLOBAL CS CO., LTD. All Rights Reserved.

Fig.12. FUEL INJECTION VALVE

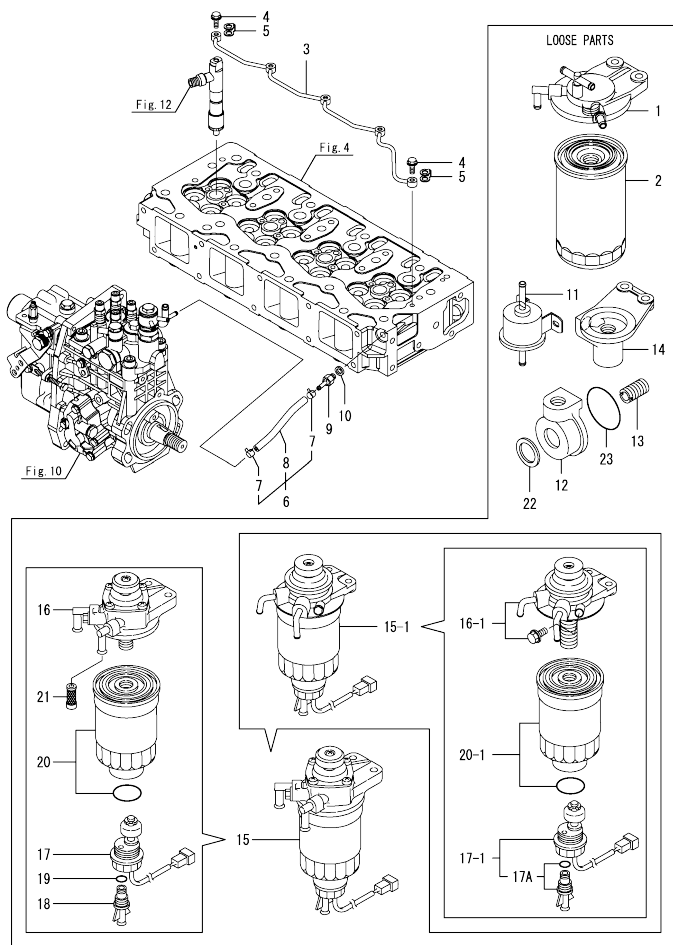


(A)=4TNV94L-VLX
(B)=
(C)=

(D)=
(E)=
(F)=

No.	Lev.	Parts No.	Description	Q'ty						I	R
				(A)	(B)	(C)	(D)	(E)	(F)		
1	1	729906-53100	VALVE ASSY,INJECTION	4							
2	2	129906-53000	VALVE ASSY,INJECTION	4							
5	2	114250-53080	NUT, NOZZLE D16.95	4							
9	2	114250-53120	SPRING, NOZZLE	4							
10	2	114250-53130	SEAT, SPRING	4							
11	2	114250-53140	PLATE	4							
12	2	114250-53210	PIN	8							
13	2	114250-53400	SHIM SET	4							
25	1	123907-11601	SEAL	4							
26	1	122780-59100	RETAINER	2							
27	1	119305-59120	RETAINER, PIPE	1							
30	2	129150-59131	BOLT, M4X14	1							
31	1	129550-59120	RETAINER, PIPE	1							
34	2	129150-59131	BOLT, M4X14	2							
35	1	129907-59710	SUPPORT	1							
37	1	129906-59810	PIPE ASSY, INJECTION	1							
38	1	129906-59820	PIPE ASSY, INJECTION	1							
39	1	129906-59830	PIPE ASSY, INJECTION	1							
40	1	129906-59840	PIPE ASSY, INJECTION	1							
41	1	26106-060162	BOLT, M6X 16 PLATED	2							
42	1	26106-080182	BOLT, M8X 18 PLATED	1							

Fig.13. FUEL PIPE

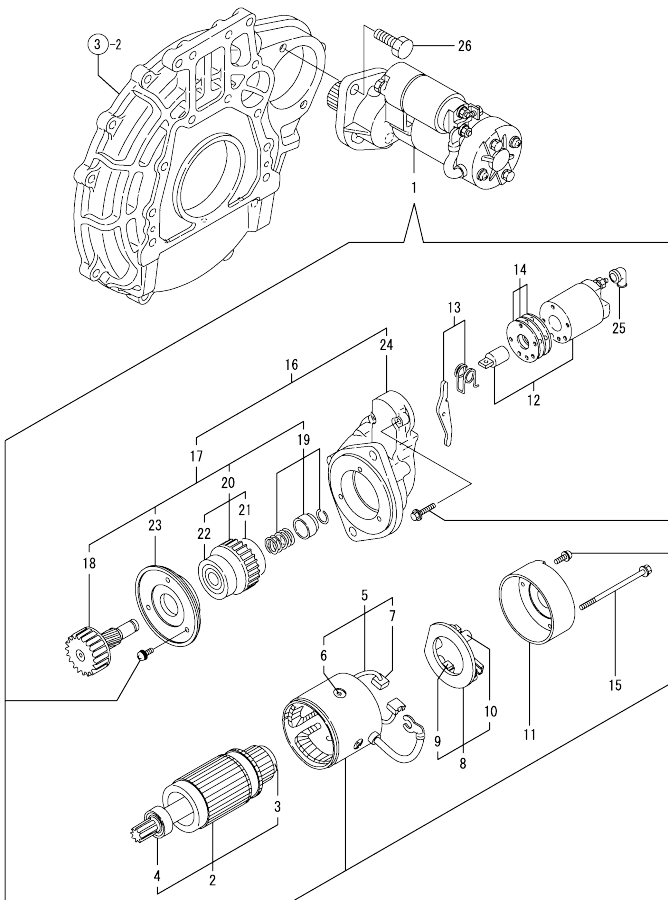


(A)=4TNV94L-VLX
(B)=
(C)=

(D)=
(E)=
(F)=

No.	Lev.	Parts No.	Description	(A)	(B)	(C)	(D)	(E)	(F)	I	R
1	1	129004-55611	BRACKET, FILTER	1							
2	1	123907-55800	FILTER, FUEL	1							
3	1	129907-59140	PIPE ASSY, RETURN	1							
4	1	123907-59540	BOLT, PIPE JOINT M6	5							
5	1	123907-59550	GASKET, FUEL RETURN	5							
6	1	129486-59551	HOSE ASSY, RETURN	1							
7	2	124722-59050	CLAMP, HOSE 9	2							
8	2	129486-59510	HOSE, FUEL RETURN	1							
9	1	123907-59560	JOINT, HOSE	1							
10	1	22190-080002	WASHER, SEAL 8	1							
11	1	129612-52100	PUMP, FUEL FEED	1							
12	1	129953-35101	CASE, OIL	1							
13	1	119000-35140	BOLT, FILTER	1							
14	1	129953-35200	BRACKET	1							
15	1	129901-55800	FILTER ASSY, FUEL	1							
15-1	1	129917-55800 (A=E15417)	FILTER ASSY, FUEL	1							N
15-2	1	129917-55801	FILTER ASSY, FUEL	1							R
15-3	1	129917-55802 (A=E41386) (A=EK8964)	FILTER ASSY, FO PRE	1							N
16	2	129901-55810	BODY, FILTER SUB	1							
16-1	2	129917-55810	BODY, FILTER SUB	1							S
17	2	129901-55820	SENSOR ASSY, LEVEL	1							
17-1	2	129917-55820 (A=E15417)	SENSOR ASSY, LEVEL	1							S
17-2	2	129917-55821 (A=E41386)	SENSOR ASSY, LEVEL	1							R
17-3	2	129917-55870	SENSOR ASSY, LEVEL	1							N
17A	3	129917-55830 (A=E15417)	PLUG, DRAIN	1							W
17A-1	3	129242-55740 (A=EK8964)	PLUG, DRAIN	1							N
18	2	129901-55830 (A=E15417)	PLUG, DRAIN	1							Z
19	2	129901-55840 (A=E15417)	O-RING, DRAIN PLUG	1							Z
20	2	129901-55850	ELEMENT KIT, FUEL	1							
20-1	2	129917-55850 (A=E15417)	ELEMENT KIT, FUEL	1							S
21	2	129901-55860 (A=E15417)	FILTER, PRE	1							Z
22	1	22190-300002	WASHER, SEAL 30	1							
23	1	24321-000600	O-RING, 1AG60.0	1							

Fig.14. STARTING MOTOR



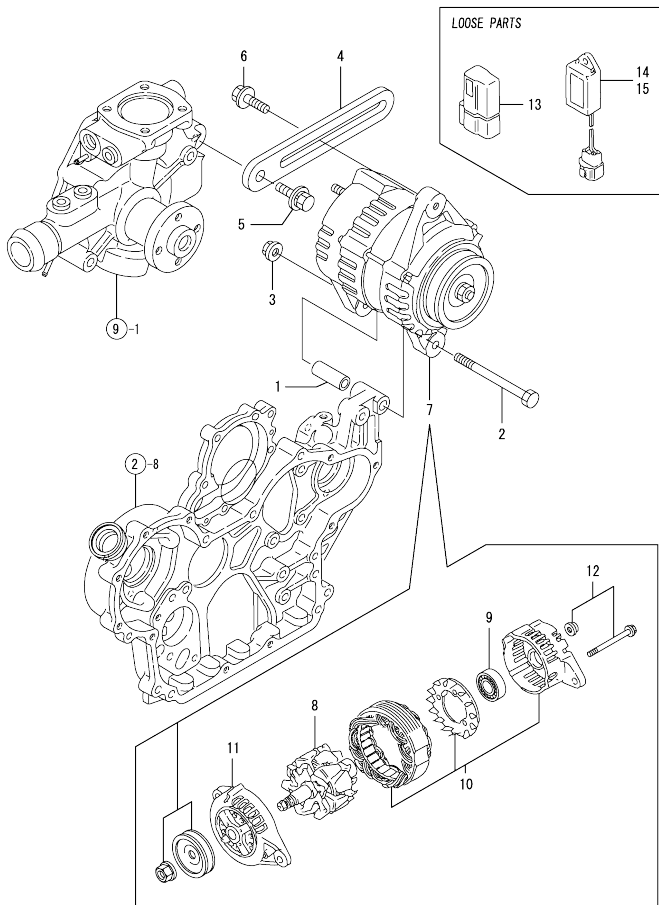
(A)=4TNV94L-VLX
(B)=
(C)=

(D)=
(E)=
(F)=

No.	Lev.	Parts No.	Description	Q'ty						I	R
				(A)	(B)	(C)	(D)	(E)	(F)		
1	1	129900-77010	STARTER	1							
2	2	129900-77400	ARMATURE ASSY	1							
3	3	X2114155110	BEARING, BALL	1							
4	3	X2114255110	BEARING, BALL	1							
5	2	129900-77440	COIL ASSY, FIELD	1							
6	3	171008-77450	SCREW	4							
7	3	129900-77450	BRUSH	2							
8	2	129900-77480	HOLDER ASSY, BRUSH	1							
9	3	129900-77450	BRUSH	2							
10	3	X2130631300	SPRING, BRUSH	4							
11	2	129900-77460	COVER	1							
12	2	129900-77591	SWITCH ASSY	1							
13	2	129900-77620	LEVER SET	1							
14	2	129900-77650	COVER ASSY, DUST	1							
15	2	129900-77640	BOLT, THROUGH	2							
16	2	129900-77700	CASE ASSY	1							
17	3	129900-77510	PINION ASSY	1							
18	4	129900-77540	SHAFT	1							
19	4	129900-77550	STOPPER SET	1							
20	4	129900-77520	CLUTCH ASSY	1							
21	4	171008-77730	BEARING, BALL	1							
22	4	171008-77740	BEARING	1							
23	4	129900-77610	RETAINER	1							
24	3	129900-77710	CASE, GEAR	1							
25	2	171008-77750	COVER	1							
26	1	26116-120252	BOLT, M12X 25 PLATED	2							

OCW10-M02600 4TNV94L-VLX
 Fig.15. GENERATOR

OCW10-M02600 Fig.15



(A)=4TNV94L-VLX
 (B)=
 (C)=

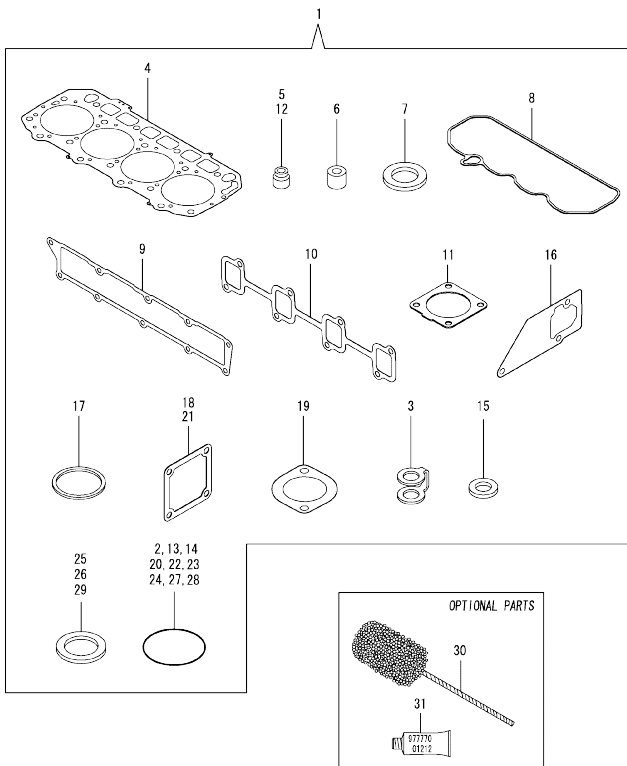
(D)=
 (E)=
 (F)=

No.	Lev.	Parts No.	Description	Q'ty						I	R
				(A)	(B)	(C)	(D)	(E)	(F)		
1	1	129470-77340	PIECE, DISTANCE	1							
2	1	26116-101202	BOLT, M10X120 PLATED	1							
3	1	26306-100002	NUT, M10	1							
4	1	129900-77330	ADJUSTER	1							
5	1	26014-080252	BOLT, M8X 25	1							
6	1	119810-77340	BOLT, ADJUSTER	1							
7	1	129900-77211	ALTERNATOR, 12V-60A	1							
8	2	123900-77700	ROTOR ASSY	1							
9	2	129612-77710	BEARING, BALL	1							
10	2	123900-77720	BRACKET ASSY	1							
11	2	123900-77730	BRACKET ASSY	1							
12	2	123900-77750	SCREW KIT	1							
13	1	119643-66900	DIODE	1							
14	1	128300-77920	TIMER	1							
15	1	129211-77920	TIMER	1							

N:Old $\frac{100}{100}$ New, Q:Old $\frac{100}{100}$ New, R:Old $\frac{100}{100}$ New, S:Old $\frac{100}{100}$ New, W:Add, Z:Discontinued, F:Interchangeable by set, K:Q'ty Change
 Copyright (C) YANMAR GLOBAL CS CO., LTD. All Rights Reserved.

OCW10-M02600 4TNV94L-VLX
 Fig.16. GASKET SET

OCW10-M02600 Fig.16



(A)=4TNV94L-VLX
 (B)=
 (C)=

(D)=
 (E)=
 (F)=

No.	Lev.	Parts No.	Description	Qty						I	R	
				(A)	(B)	(C)	(D)	(E)	(F)			
1	1	729906-92720	GASKET SET	1							1	
1-1	1	129906-92670	GASKET SET	1							N	1
(A=2009.12)												
2	2	24351-030750	O-RING, 1A3075	1								
3	2	123907-59550	GASKET	5								
4	2	129906-01340	GASKET, HEAD	1								
4-1	2	129906-01350	GASKET, HEAD	1							N	
(A=2009.12)												
5	2	124160-11340	SEAL, VALVE STEM	8								
6	2	119802-11870	PROTECTOR, NOZZLE	4								
7	2	119625-11880	SEAT, NOZZLE	4								
8	2	129907-11310	GASKET, BONNET	1								
9	2	129907-12110	GASKET, MANIFOLD	1								
10	2	129900-13251	GASKET	1								
11	2	129930-13201	GASKET, SILENCER	1								
12	2	124950-11340	SEAL, VALVE STEM	8								
13	2	129900-32030	O-RING, P20	2								
14	2	129900-32040	O-RING, P14	1								
15	2	124465-44950	GASKET, 16	2								
16	2	129900-42061	GASKET, WATER PUMP	1								
17	2	121850-49550	GASKET, THERMOSTAT	1								
18	2	121850-77021	GASKET	1								
19	2	129900-49560	GASKET	1								
20	2	129900-42140	O-RING, P36	2								
21	2	119129-77020	GASKET	1								
22	2	24311-000070	O-RING, 1AP7.0	1								
23	2	24311-000120	O-RING, 1AP12.0	8								
24	2	24311-000320	O-RING, 1AP32.0	2								
25	2	22190-080002	WASHER, SEAL 6	7								
26	2	22190-300002	WASHER, SEAL 30	1								
27	2	24321-000600	O-RING, 1AG60.0	1								
28	2	24311-240100	O-RING, 1AP10A	1								
29	2	22190-220002	WASHER, SEAL 22	1								
30	1	129400-92440	HONE	1								1
31	1	977770-01212	GASKET, LIQUID	1								1

Remarks
 (1) OPTIONAL PART.

N:Old $\frac{100}{100}$ New. Q:Old $\frac{100}{100}$ New. R:Old $\frac{100}{100}$ New. S:Old $\frac{100}{100}$ New. W:Add. Z:Discontinued. F:Interchangeable by set. K:Qty Change
 Copyright (C) YANMAR GLOBAL CS CO., LTD. All Rights Reserved.

Parts No. Index

Parts No.	Fig. No.	Ref. No.
114250-39450	8	12
114250-53080	12	5
114250-53120	12	9
114250-53130	12	10
114250-53140	12	11
114250-53210	12	12
114250-53400	12	13
119000-35140	8	3
	13	13
119005-77050	5	15
119129-77020	5	13
	16	21
119129-77520	5	16
119131-18320	5	11
119233-77932	11	129
119260-34810	8	2
119305-59120	12	27
119593-11301	4	28
119620-11180	4	17
119625-11880	4	26
	16	7
119640-01640	3	8
119640-61400	4	61
119643-66900	15	13
119660-61901	11	63
119802-11870	4	69
	16	6
119802-49113	9	13
119802-51590	10	69
119802-51600	10	70
119802-51680	10	74
119802-51690	10	75
119807-61420	11	27
119810-77340	15	6
120130-22301	7	23
121250-44901	9	25
121450-42450	9	27
121850-21130	7	11
121850-21290	7	5
121850-21680	7	10
121850-21920	7	6
121850-49550	9	21
	16	17
121850-49810	9	23
121850-77021	5	14
	16	18
122780-59100	12	26
123900-13610	5	9
123900-13630	5	10
123900-25060	6	10

Parts No.	Fig. No.	Ref. No.
123900-77700	15	8
123900-77720	15	10
123900-77730	15	11
123900-77750	15	12
123907-03100	4	54
123907-03110	4	55
123907-03120	4	56
123907-03140	4	57
123907-11280	4	33
123907-11550	4	3
123907-11601	12	25
123907-11820	4	10
123907-11830	4	23
123907-39500	8	15
123907-55800	13	2
123907-59540	13	4
123907-59550	13	5
	16	3
123907-59560	13	9
124160-01751	2	35
	4	49
124160-11340	4	18
	16	5
124160-11360	4	64
124465-44950	9	26
	28	28
	16	15
124722-59050	9	32
	35	35
	13	7
124950-11340	4	19
	16	12
128300-77920	15	14
129001-91810	2	24
	25	25
129004-55611	13	1
129005-59830	8	17
129100-01580	2	5
	3	1
129150-02450	6	4
129150-11230	4	36
	40	40
129150-11750	4	22
	37	37
	41	41
129150-14200	6	1
129150-25920	6	14
129150-35153	8	4
129150-59131	12	30
	34	34

Parts No.	Fig. No.	Ref. No.
129155-51280	11	6
129155-61460	11	32
129211-77920	15	15
129242-55740	13	17 A-1
129255-61410	11	26
129400-92440	16	30
129470-77340	15	1
129486-59510	13	8
129486-59551	13	6
129550-59120	12	31
129612-52100	13	11
129612-77710	15	9
129900-01200	1	31
129900-01250	1	5
129900-01740	2	6
129900-01780	2	4
129900-01850	2	39
129900-01870	2	40
129900-02020	1	7
129900-02340	1	34
129900-02410	1	10
129900-02930	1	28
129900-02940	1	37
129900-07900	4	1
129900-13200	5	6
129900-13251	5	8
	16	10
129900-14100	6	7
129900-21200	7	4
129900-21600	7	15
129900-21640	7	8
129900-23001	7	25
129900-23200	7	30
129900-23600	7	31
129900-23610	7	33
129900-23911	7	29
129900-25100	6	11
129900-32001	2	11
129900-32030	2	22
	8	5
	16	13
129900-32040	2	23
	16	14
129900-42061	9	37
	16	16
129900-42070	9	14
129900-42140	9	15
	16	20
129900-42161	9	3
129900-42170	9	4

Parts No.	Fig. No.	Ref. No.
129900-42461	9	17
129900-44700	9	18
129900-49551	9	20
129900-49560	9	22
	16	19
129900-77010	14	1
129900-77211	15	7
129900-77330	15	4
129900-77400	14	2
129900-77440	14	5
129900-77450	14	7
	9	9
129900-77460	14	11
129900-77480	14	8
129900-77510	14	17
129900-77520	14	20
129900-77540	14	18
129900-77550	14	19
129900-77591	14	12
129900-77610	14	23
129900-77620	14	13
129900-77640	14	15
129900-77650	14	14
129900-77700	14	16
129900-77710	14	24
129901-55800	13	15
129901-55810	13	16
129901-55820	13	17
129901-55830	13	18
129901-55840	13	19
129901-55850	13	20
129901-55860	13	21
129902-21000	7	1
129904-21590	7	12
129906-01340	1	32
	16	4
129906-01350	1	32 -2
	16	4 -1
129906-01500	2	8
129906-22050	7	19
129906-22080	7	17
129906-22090	7	17 -1
129906-22900	7	35 -1
129906-22910	7	35 -2
129906-34811	8	1
129906-51580	10	67
129906-53000	12	2
129906-59810	12	37
129906-59820	12	38
129906-59830	12	39

Parts No. Index

Parts No.	Fig. No.	Ref. No.
129906-59840	12	40
129906-92670	16	1 -1
129907-01190	1	33
129907-01331	1	32 -1
129907-01950	10	126
129907-01960	10	127
129907-03011	4	51
129907-03061	4	52
129907-03070	4	53
129907-11100	4	14
129907-11110	4	15
129907-11120	4	16
129907-11250	4	30
129907-11260	4	31
129907-11270	4	32
129907-11310	4	60
	16	8
129907-11320	4	50
129907-11341	4	29
129907-11510	4	20
129907-11650	4	34
129907-11660	4	38
129907-11700	4	4
129907-11800	4	8
129907-11910	4	67
129907-11920	4	42
129907-11950	4	47
129907-12100	5	1
129907-12110	5	3
	16	9
129907-14400	6	2
129907-14581	6	3
129907-21680	7	9
129907-25900	6	17
129907-39061	8	13
129907-42051	9	1
129907-49610	9	29
129907-49710	9	30
129907-49750	9	31
129907-51560	10	63
129907-59140	13	3
129907-59710	12	35
129908-14581	6	3 -1
129916-01790	3	6
129916-22950	7	37 -1
129916-59020	10	124
129917-55800	13	15 -1
129917-55801	13	15 -2
129917-55802	13	15 -3
129917-55810	13	16 -1

Parts No.	Fig. No.	Ref. No.
129917-55820	13	17 -1
129917-55821	13	17 -2
129917-55830	13	17 A
129917-55850	13	20 -1
129917-55870	13	17 -3
129927-77520	5	16 -1
129930-01620	3	2
129930-01710	3	7
129930-13201	5	19
	16	11
129930-21690	7	16
129930-35000	8	6
129940-34840	8	25
129951-01740	2	6 -1
129953-25300	6	16
129953-35101	13	12
129953-35200	13	14
129962-49620	9	33
129962-49720	9	34
144626-51090	10	106
158552-51570	10	64
158552-51580	10	66
158552-51670	10	122
158552-51780	10	87
158552-52100	10	93
158552-52310	10	94
158552-52400	10	95
158552-61900	11	79 -1
158553-51551	10	61
158553-51630	10	79
158553-51640	10	81
158553-51660	10	83
158553-51670	10	73
158553-51680	10	84
158557-51570	10	65
158560-51300	10	32
158560-51340	10	41
158560-51600	10	78
158560-61050	11	2
158560-61061	11	3
158560-61071	11	4
158560-61430	11	28
158560-61441	11	29
158563-51150	6	18
158563-51281	10	30
		31
158563-51330	10	40
158600-51270	10	29
158601-51550	10	60
158601-51570	10	62

Parts No.	Fig. No.	Ref. No.
158601-51650	10	82
158601-51770	10	86
158601-51790	10	85
171008-77450	14	6
171008-77730	14	21
171008-77740	14	22
171008-77750	14	25
171051-01921	1	6
171056-49120	9	38
22190-080002	8	18
		20
		22
	13	10
	16	25
22190-120002	10	97
		98
		99
22190-160002	11	64
22190-180002	10	100
		101
22190-220002	3	10
	16	29
22190-300002	13	22
	16	26
22217-180000	6	19
	10	102
22252-000300	7	24
22312-050140	10	103
22312-120200	3	12
22351-050010	10	104
22351-060012	1	11
22512-070140	6	8
	7	7
22857-500100	4	62
		63
23857-030000	8	19
23857-060000	10	107
23876-020000	4	11
23876-030000	1	12
		13
		14
	4	12
	9	9
23887-120002	10	108
23887-160002	11	66
24190-080001	9	10
24311-000070	2	26
	10	109
	16	22
24311-000120	4	27

Parts No.	Fig. No.	Ref. No.
24311-000120	4	65
	16	23
24311-000320	2	38
	4	66
	16	24
24311-240100	8	26
	16	28
24321-000600	13	23
	16	27
24341-000280	11	79
24351-030750	2	27
	16	2
24356-010200	10	76
		110
24356-020210	10	111
24372-000150	10	77
25132-004500	9	36
25132-004600	9	36 -1
26014-080162	9	19
26014-080252	15	5
26106-060102	10	112
	11	67
		68
26106-060142	11	80
26106-060162	12	41
26106-060252	11	81
26106-060352	10	113
26106-060402	11	82
26106-080122	3	11
	8	11
		21
		23
		24
26106-080162	2	28
		29
		36
		39
	4	2
	6	9
	8	27
	10	128
26106-080182	12	42
26106-080202	2	28 -1
		30
26106-080222	10	129
		130
26106-080252	9	24
26106-080402	2	31
		32
	4	44
	5	17

Parts No. Index

Parts No.	Fig. No.	Ref. No.
26106-080452	2	32 -1
		33
26106-080552	5	4
	6	15
	9	16
26106-080602	4	45
		46
26106-080702	2	25 -1
26106-080752	2	25 -2
26106-080852	5	5
26106-080902	5	18
26106-100202	10	131
26116-060102	11	54
26116-060162	9	11
26116-101202	15	2
26116-120252	14	26
26206-100252	3	4
26206-100352	3	5
26216-100302	2	10
26226-080222	4	43
26306-080002	4	48
	5	12
26306-100002	2	34
	15	3
26450-100452	10	117
26577-060142	9	12
26756-060002	11	69
26776-180002	6	20
	10	118
27241-300000	1	15
27241-400000	4	13
27310-070001	4	24
729900-02800	1	25
729906-01560	1	1
729906-22900	7	35
729906-22950	7	37
729906-51370	10	1
729906-53100	12	1
729906-92720	16	1
729907-01550	2	1
977770-01212	2	37
	3	13
	4	68
	16	31
X2114155110	14	3
X2114255110	14	4
X2130631300	14	10

Parts No.	Fig. No.	Ref. No.
-----------	----------	----------

Parts No.	Fig. No.	Ref. No.
-----------	----------	----------

Parts No.	Fig. No.	Ref. No.
-----------	----------	----------