

0CW10-M03700EN

PREFACE

- 1.This Parts Catalog carries all parts incorporated in YANMAR Model 4TNV94L-XDBK engine manufactured since May, 2005.
- 2.Each illustration corresponds to the parts list on the following page.
- 3.When ordering parts,clearly write down the engine model and serial number,as well as the name and number of each part in your order sheet. This will help insure reliable delivery of the parts you have ordered.

Directions for the Parts Catalog.

1. The parts stipulated in this Parts Catalog are not necessarily standard equipped parts.
2. Parts may change without prior notice.
3. The following is an example of the Parts Catalog format.

REF.	LEV.	PARTS NO.	DESCRIPTION	Q'TY						I	R
				(A)	(B)	(C)	(D)	(E)	(F)		
1	1	729595-51390	FUEL INJECTION PUMP	1	1	1	1	1			1
1-1	1	729595-51391	FUEL INJECTION PUMP	1	1	1	1	1		N	1
		(A=E00185) (B=E00200)									
3	2	26022-060162	SCREW M 6X 16	9	9	9	9	9			
3-1	2	26022-060162	SCREW M 6X 16	4	4	4	4	4		K	
		(A=E00156) (B=E00156) (C=E00156) (D=E00156) (E=E00156)									
4	2	129470-51040	CAMSHAFT	1	1	1	1	1			
5	2	122710-51050	BEARING, ROLLER	2	2	2	2	2			
6	2	129470-51060	RETAINER	1	1	1	1	1			

Remarks
(1) BOOST COMPEMSATOR TYPE. OPTIONAL PART, TO E00155,(4JH-DT, 4JH-DTZ

① Ref. No.

The Ref. No. listed may not be in accordance with the illustration Ref. No.

(Ex.) Illustration No.

List Ref No.

1 1 (Before change) → 1-1 (After change)

For interchangeable symbols N, R and K, illustrations for new parts may be abbreviated.

② Lev. (Level)

Level indication

The numbers below indicate the level of relativity towards the main part.

1 ---- Main parts (Assembly parts)

2 ---- Sub component included in " 1 ".

3 ---- Sub component included in " 2 ".

Note) Parts that are not for sale are partially illustrated but not listed.

③ Interchangeability Mark

When a part change takes place, one of the following interchangeability symbols is indicated beside the part.

Symbol	Interchangeability	Contents note
N	Old $\begin{matrix} \leftarrow \text{Yes} \\ \text{No} \rightarrow \end{matrix}$ New	New Part is interchangeable for Old Part but Old Part is not interchangeable for New Part.
Q	Old $\begin{matrix} \leftarrow \text{No} \\ \text{Yes} \rightarrow \end{matrix}$ New	New Part is not interchangeable for Old Part but Old Part is interchangeable for New Part.
R	Old $\begin{matrix} \leftarrow \text{Yes} \\ \text{Yes} \rightarrow \end{matrix}$ New	New/ Old Parts are both interchangeable.
S	Old $\begin{matrix} \leftarrow \text{No} \\ \text{No} \rightarrow \end{matrix}$ New	New/ Old Parts are both not interchangeable.
W		Part newly added.
Z		Part discontinued.
F		Not interchangeable by a single part but interchangeable together with related parts.
K		Changes only for used parts quantities.

④ Effective Machine No.

When a part changes, the effective Machine No. will be indicated in the (A)-(F) column.

Product Symbol	Product No.	Product Symbol	Product No.
C	Clutch No. Compressor No.	F	Machine No. (Agricultural Equip.)
D	Drive No.	M	Machine No.
E	Engine No.		

Note 1) A date may follow the symbol. (Ex.) 1996.01

Note 2) " XXXXX " and " ZZZZZ " are for parts that could not be predicted or for engine models that could not be identified.

Note 3) (A=E00185) is the E (Engine Serial Number) for the column (A) model (in this case 4JH-DT) after the parts design change.

⑤ Remarks Mark

Figures or alphabets (symbols) are entered in the remarks column.

The comments (remarks) on parts that are indicated at the bottom of the illustration are the same symbols as those stated above.

Contents

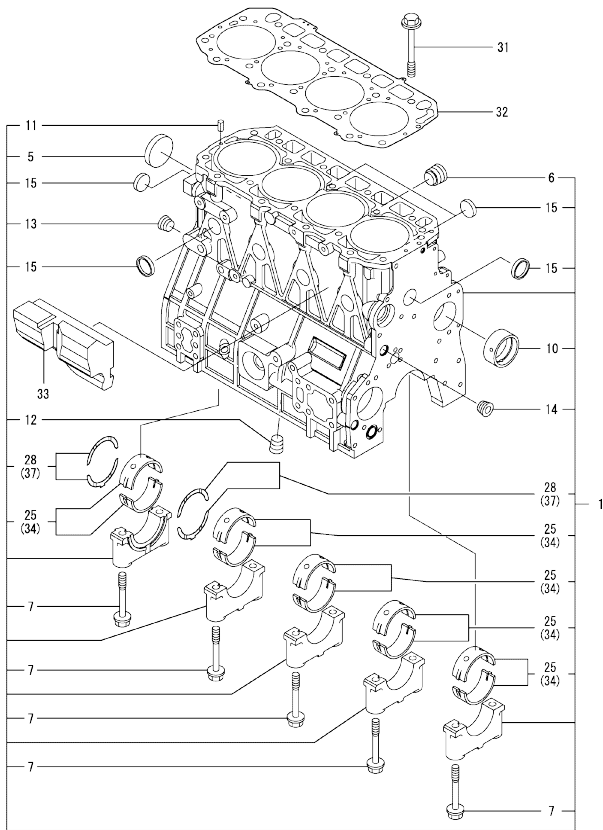
0CW10-M03700

Fig. No.	Fig. Name	Fig. No.	Fig. Name
4	TNV94L-XDBK		
1.	CYLINDER BLOCK		
2.	GEAR HOUSING		
3.	FLYWHEEL HOUSING & OIL SUMP		
4.	CYLINDER HEAD & BONNET		
5.	SUCTION & EXHAUST MANIFOLD		
6.	CAMSHAFT & DRIVING GEAR		
7.	CRANKSHAFT & PISTON		
8.	LUB. OIL SYSTEM		
9.	COOLING WATER SYSTEM		
10.	FUEL INJECTION PUMP		
11.	GOVERNOR		
12.	FUEL INJECTION VALVE		
13.	FUEL LINE		
14.	STARTING MOTOR		
15.	GENERATOR		
16.	GASKET SET		

Fig.1. CYLINDER BLOCK

(A)=4TNV94L-XDBK
(B)=
(C)=

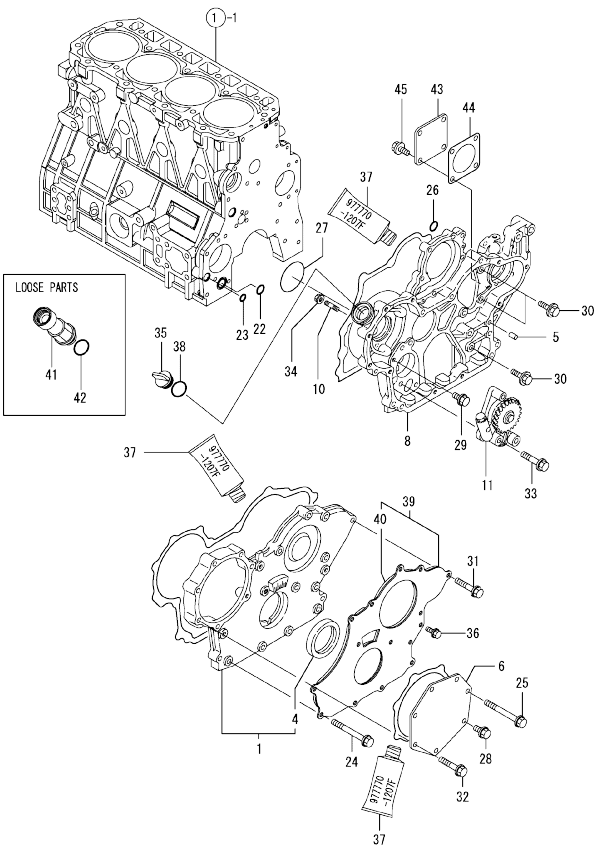
(D)=
(E)=
(F)=



No.	Lev.	Parts No.	Description	Q'ty						I	R
				(A)	(B)	(C)	(D)	(E)	(F)		
1	1	729906-01560	BLOCK ASSY, CYLINDER	1							
5	2	129900-01250	PLUG, 55	1							
6	2	171051-01921	PLUG, NPTF1	1							
7	2	129900-02020	BOLT, METAL CAP	10							
10	2	129900-02410	BUSH, CAMSHAFT	1							
11	2	22351-060012	PIN, SPRING 6.0X12	2							
12	2	23876-030000	PLUG, R03	1							
13	2	23876-030000	PLUG, R03	1							
14	2	23876-030000	PLUG, R03	1							
15	2	27241-300000	PLUG 30	8							
25	2	729900-02800	BEARING, MAIN	5							3
28	2	129900-02930	BEARING, THRUST	2							
31	1	129900-01200	BOLT, HEAD	18							
32	1	129906-01340	GASKET, HEAD	1							
32-1	1	129907-01331	GASKET, HEAD	1							N
32-2	1	(A=2009.09) 129906-01350	GASKET, HEAD	1							N
33	1	(A=2009.12) 129907-01190	SPACER	1							
34	1	129900-02340	BEARING, 0.25 US	5							1
37	1	129900-02940	BEARING, THRUST 0.25	2							2

Remarks
(1) UNDER-SIZED(U.S=0.25)PART.
(2) OVER-SIZED(O.S=0.25)PART.
(3) REPAIR PART.

Fig.2. GEAR HOUSING



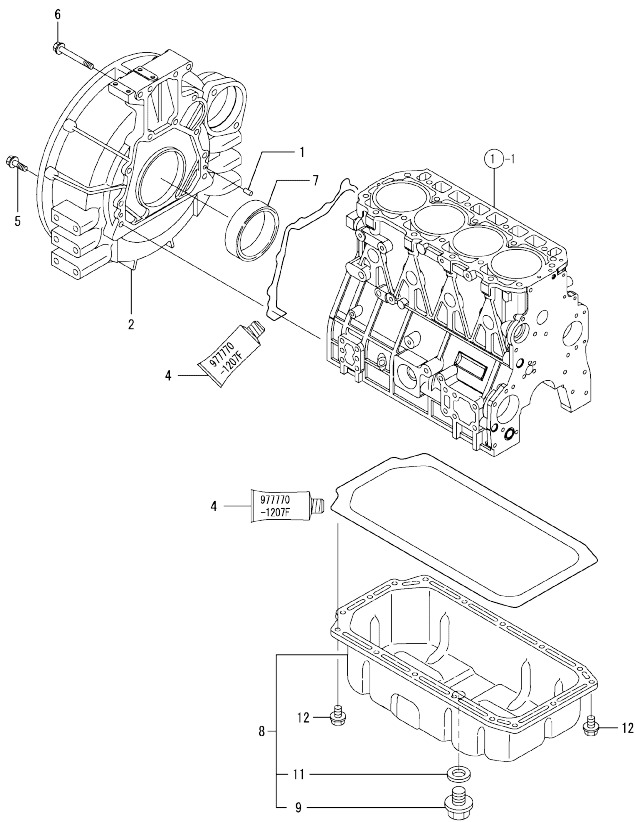
(A)=4TNV94L-XDBK
(B)=
(C)=

(D)=
(E)=
(F)=

No.	Lev.	Parts No.	Description	Qty						I	R
				(A)	(B)	(C)	(D)	(E)	(F)		
1	1	729906-01550	COVER ASSY,GEAR CASE	1							
4	2	129916-01800	SEAL, OIL	1							
5	1	129100-01580	PIN, M8X16	4							
6	1	129951-01740	COVER	1							
8	1	129907-01500	CASE, GEAR	1							
10	1	26216-100302	STUD, M10X 30	4							
11	1	129900-32001	PUMP ASSY, OIL	1							
22	1	129900-32030	O-RING, P20	1							
23	1	129900-32040	O-RING, P14	1							
24	1	129001-91810	BOLT, M8X70	6							
25	1	129001-91810	BOLT, M8X70	1							
26	1	24311-000070	O-RING, 1AP7.0	1							
27	1	24351-030750	O-RING, 1A3075	1							
28	1	26106-080162	BOLT, M8X 16 PLATED	1							
29	1	26106-080162	BOLT, M8X 16 PLATED	1							
30	1	26106-080202	BOLT, M8X 20 PLATED	3							
31	1	26106-080402	BOLT, M8X 40 PLATED	5							
32	1	26106-080402	BOLT, M8X 40 PLATED	5							
33	1	26106-080452	BOLT, M8X 45 PLATED	3							
34	1	26306-100002	NUT, M10	4							
35	1	124160-01751	COVER, FILLER	1							
36	1	26106-080162	BOLT, M8X 16 PLATED	3							
37	1	977770-1207F	GASKET,LIQUID	1							1
38	1	24311-000320	O-RING, 1AP32.0	1							
39	1	129900-01850	COVER ASSY,GEAR CASE	1							
40	2	129900-01870	SPONGE	1							
41	1	171031-11741	PIPE	1							
42	1	24311-000320	O-RING, 1AP32.0	1							
43	1	124240-01871	COVER	1							
44	1	124240-01883	GASKET	1							
45	1	26106-080162	BOLT, M8X 16 PLATED	4							

Remarks
(1) OPTIONAL PART.

Fig.3. FLYWHEEL HOUSING & OIL SUMP



(A)=4TNV94L-XDBK
(B)=
(C)=

(D)=
(E)=
(F)=

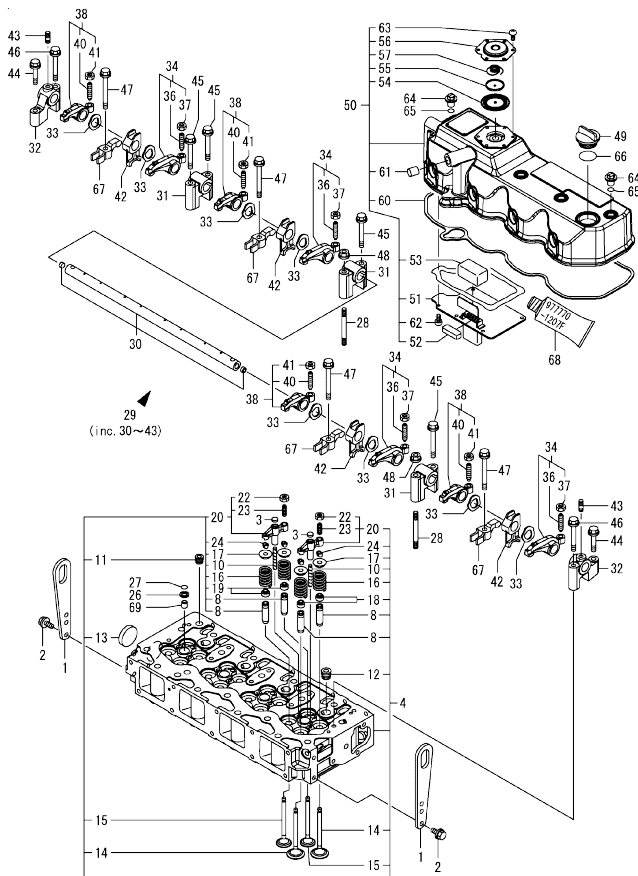
No.	Lev.	Parts No.	Description	Q'ty						I	R	
				(A)	(B)	(C)	(D)	(E)	(F)			
1	1	129100-01580	PIN, M8X16		2							
2	1	129981-01600	HOUSING, FLYWHEEL	1								
4	1	977770-1207F	GASKET,LIQUID	1								1
5	1	26206-100352	BOLT, M10X 35 PLATED	9								
6	1	26206-100702	BOLT, M10X 70 PLATED	4								
7	1	129916-01790	SEAL, D115/95XT11	1								
8	1	129953-01710	SUMP ASSY, OIL	1								
9	2	119640-01640	PLUG, DRAIN M22	1								
11	2	22190-220002	WASHER, SEAL 22	1								
12	1	26106-080122	BOLT, M8X 12 PLATED	16								

Remarks
(1) OPTIONAL PART.

Fig.4. CYLINDER HEAD & BONNET

(A)=4TNV94L-XDBK
(B)=
(C)=

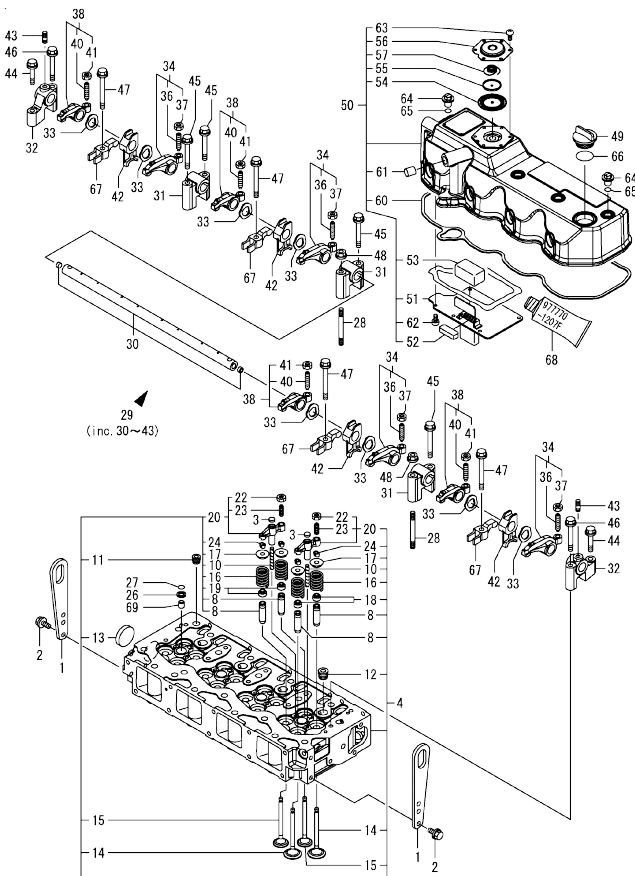
(D)=
(E)=
(F)=



No.	Lev.	Parts No.	Description	Q'ty						I	R
				(A)	(B)	(C)	(D)	(E)	(F)		
1	1	129900-07900	LIFTER	2							
2	1	26106-080162	BOLT, M8X 16 PLATED	4							
3	1	123907-11550	SEAT, VALVE BRIDGE	8							
4	1	129907-11700	HEAD ASSY, CYLINDER	1							2
8	2	129907-11800	GUIDE, VALVE	16							
10	2	123907-11820	GUIDE	8							
11	2	23876-020000	PLUG, R02	1							
12	2	23876-030000	PLUG, R03	4							
13	2	27241-400000	PLUG, 40	1							
14	2	129907-11100	VALVE, INTAKE	8							
15	2	129907-11110	VALVE, EXHAUST	8							
16	2	129907-11120	SPRING, VALVE	16							
17	2	119620-11180	RETAINER, SPRING	16							
18	2	124160-11340	SEAL, VALVE STEM	8							
19	2	124950-11340	SEAL, VALVE STEM	8							
20	2	129907-11510	BRIDGE ASSY, VALVE	8							
22	3	129150-11750	NUT, M8	8							
23	3	123907-11830	ADJUSTER	8							
24	2	27310-070001	COTTER, 7	16							
26	1	119625-11880	SEAT, NOZZLE	4							
27	1	24311-000120	O-RING, 1AP12.0	4							
28	1	119593-11301	STUD, M8X80	2							
29	1	129907-11341	SHAFT ASSY, ROCKER	1							
30	2	129907-11250	SHAFT, ROCKER ARM	1							
31	2	129907-11260	SUPPORT, ROCKER ARM	3							
32	2	129907-11270	SUPPORT, ROCKER ARM	2							
33	2	123907-11280	WASHER	8							
34	2	129907-11650	ARM, ROCKER	4							
36	3	129150-11230	SCREW, VALVE ADJUST	4							
37	3	129150-11750	NUT, M8	4							
38	2	129907-11660	ARM, ROCKER	4							
40	3	129150-11230	SCREW, VALVE ADJUST	4							
41	3	129150-11750	NUT, M8	4							
42	2	129907-11920	RETAINER	4							
43	2	26226-080222	STUD, M8X 22	2							
44	1	26106-080402	BOLT, M8X 40 PLATED	2							
45	1	26106-080602	BOLT, M8X 60 PLATED	4							
46	1	26106-080602	BOLT, M8X 60 PLATED	2							
47	1	129907-11950	BOLT, M8X75	4							
48	1	26306-080002	NUT, M8	2							
49	1	124160-01751	COVER, FILLER	1							
50	1	129907-11320	BONNET ASSY, HEAD	1							
51	2	129907-03011	PLATE	1							
52	2	129907-03061	BAFFLE, BREATHER	1							
53	2	129907-03070	BAFFLE, BREATHER	1							
54	2	123907-03100	DIAPHRAGM	1							
55	2	123907-03110	PLATE	1							
56	2	123907-03120	PLATE, BREATHER	1							
57	2	123907-03140	SPRING, DIAPHRAGM	1							
60	2	129907-11310	GASKET, BONNET	1							
61	2	119640-61400	PLUG	1							

Remarks
(1) OPTIONAL PART.
(2) REPAIR PART.

Fig.4. CYLINDER HEAD & BONNET



(A)=4TNV94L-XDBK
(B)=
(C)=

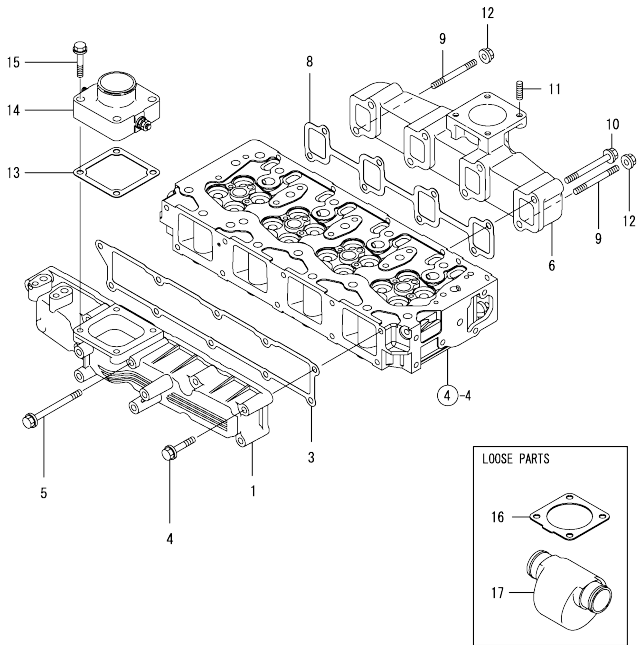
(D)=
(E)=
(F)=

No.	Lev.	Parts No.	Description	(A)	(B)	(C)	(D)	(E)	(F)	I	R
62	2	22857-500100	SCREW, 5X10	6							
63	2	22857-500100	SCREW, 5X10	6							
64	1	124160-11360	KNOB	4							
65	1	24311-000120	O-RING, 1AP12.0	4							
66	1	24311-000320	O-RING, 1AP32.0	1							
67	1	129907-11910	RETAINER, NOZZLE	4							
68	1	977770-1207F	GASKET, LIQUID	1							1
69	1	119802-11870	PROTECTOR, NOZZLE	4							

Remarks

- (1) OPTIONAL PART.
- (2) REPAIR PART.

Fig.5. SUCTION & EXHAUST MANIFOLD

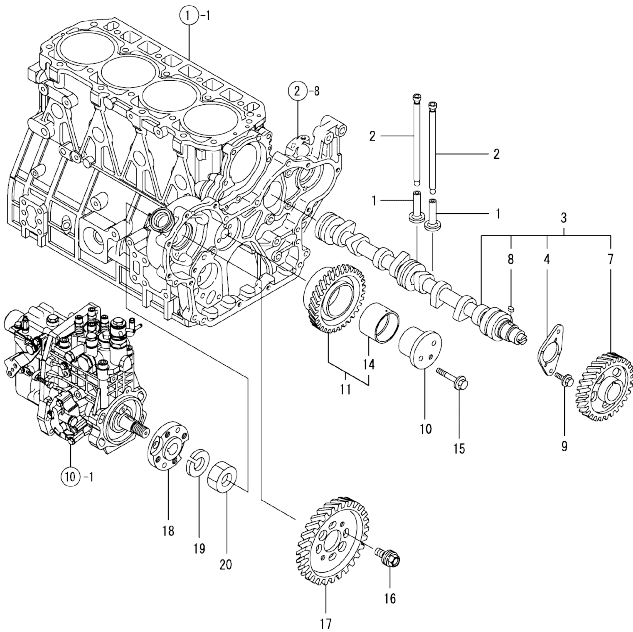


(A)=4TNV94L-XDBK
(B)=
(C)=

(D)=
(E)=
(F)=

No.	Lev.	Parts No.	Description	Q'ty						I	R
				(A)	(B)	(C)	(D)	(E)	(F)		
1	1	129907-12100	MANIFOLD, AIR INTAKE	1							
3	1	129907-12110	GASKET, MANIFOLD	1							
4	1	26106-080552	BOLT, M8X 55 PLATED	9							
5	1	26106-080852	BOLT, M8X 85 PLATED	1							
6	1	129900-13200	MANIFOLD, EXHAUST	1							
8	1	129900-13251	GASKET	1							
9	1	123900-13610	STUD, M8X80	2							
10	1	123900-13630	BOLT, M8X80	6							
11	1	119131-18320	STUD, M8X22	4							
12	1	26306-080002	NUT, M8	2							
13	1	121850-77021	GASKET	1							
14	1	129915-77050	HEATER	1							
15	1	26106-080352	BOLT, M8X 35 PLATED	4							
16	1	129930-13201	GASKET, SILENCER	1							
17	1	119005-12060	SILENCER ASSY	1							

Fig.6. CAMSHAFT & DRIVING GEAR



No.	Lev.	Parts No.	Description	Q'ty						I	R
				(A)	(B)	(C)	(D)	(E)	(F)		
1	1	129150-14200	TAPPET	8							
2	1	129907-14400	ROD, PUSH	8							
3	1	129907-14581	CAMSHAFT ASSY	1							
3-1	1	129908-14581	CAMSHAFT ASSY	1							N
		(A=EZZZZZ)									
4	2	129150-02450	BEARING, THRUST	1							
7	2	129900-14100	GEAR, CAMSHAFT	1							
8	2	22512-070140	KEY, 7X 14	1							
9	1	26106-080162	BOLT, M8X 16 PLATED	2							
10	1	123900-25060	SHAFT, IDLE GEAR	1							
11	1	129900-25100	GEAR ASSY, IDLE	1							
14	2	129150-25920	BUSH, IDLE GEAR	1							1
15	1	26106-080552	BOLT, M8X 55 PLATED	3							
16	1	129953-25300	BOLT	4							
17	1	129907-25900	GEAR, PUMP	1							
18	1	158563-51150	FLANGE	1							
19	1	22217-180000	WASHER, SPRING 18	1							
20	1	26776-180002	NUT, LOCK M18	1							

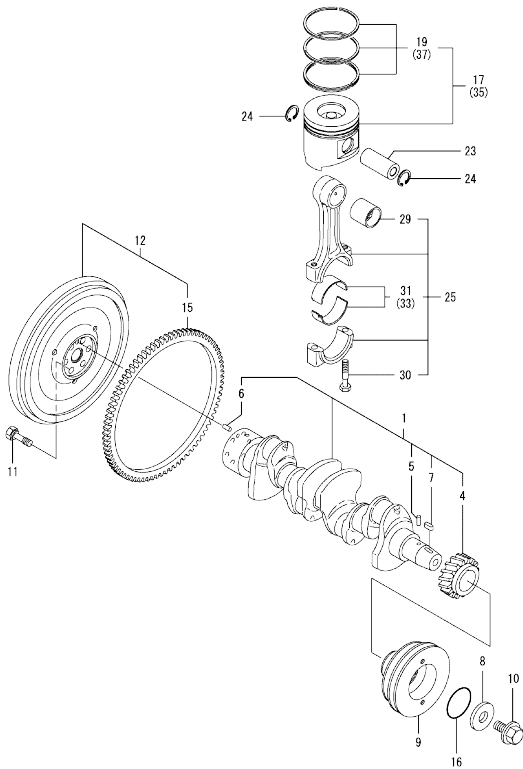
Remarks
(1) REPAIR PART.

N:Old $\frac{100}{100}$ New, Q:Old $\frac{100}{100}$ New, R:Old $\frac{100}{100}$ New, S:Old $\frac{100}{100}$ New, W:Add, Z:Discontinued, F:Interchangeable by set, K:Q'ty Change
Copyright (C) YANMAR GLOBAL CS CO., LTD. All Rights Reserved.

Fig.7. CRANKSHAFT & PISTON

(A)=4TNV94L-XDBK
(B)=
(C)=

(D)=
(E)=
(F)=

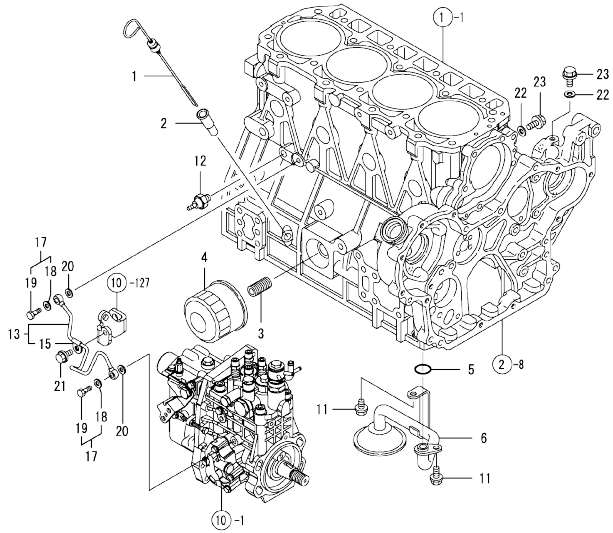


No.	Lev.	Parts No.	Description	Qty						I	R
				(A)	(B)	(C)	(D)	(E)	(F)		
1	1	129902-21000	CRANKSHAFT ASSY	1							
4	2	129900-21200	GEAR, CRANKSHAFT	1							
5	2	121850-21290	PIN	1							
6	2	121850-21920	PIN, M10X22	1							
7	2	22512-070140	KEY, 7X 14	1							
8	1	129960-21640	WASHER	1							
9	1	129916-21620	V-PULLEY	1							
10	1	129916-21610	BOLT	1							
11	1	121850-21130	BOLT, FLYWHEEL	6							
12	1	129916-21590	FLYWHEEL ASSY	1							
15	2	129900-21600	GEAR, RING	1							
16	1	24341-000530	O-RING, 1AS53.0	1							
17	1	129906-22080	PISTON ASSY	4							F
17-1	1	129906-22090	PISTON ASSY	4							F
(A=*2009.12)											
19	2	129906-22050	RING SET, PISTON	4							
23	1	120130-22301	PIN, PISTON	4							
24	1	22252-000300	RING, 30	8							
25	1	129900-23001	ROD ASSY, CONNECTING	4							
29	2	129900-23911	BEARING, PISTON PIN	4							1
30	2	129900-23200	BOLT, CONNECTING ROD	8							
31	2	129900-23600	BEARING, CRANK PIN	4							
33	1	129900-23610	BEARING, 0.25 US	4							2
35	1	729906-22900	PISTON ASSY, 0.25 OS	4							3
35-1	1	129906-22900	PISTON ASSY, 0.25 OS	4							R
(A=EXXXXX)											
35-2	1	129906-22910	PISTON ASSY, 0.25 OS	4							F
(A=*2009.12)											
37	2	729906-22950	RING SET, 0.25 OS	4							3
37-1	2	129916-22950	RING SET, 0.25 OS	4							R
(A=EXXXXX)											

Remarks

- (1) Repair part.
- (2) Under-sized (U.S.=0.25) part.
- (3) Over-sized (O.S.=0.25) part.
- (4) Ref. No.17 is interchangeable with a set of Ref. No.17-1 and Fig.1 Ref. No.32-2.

Fig.8. LUB. OIL SYSTEM



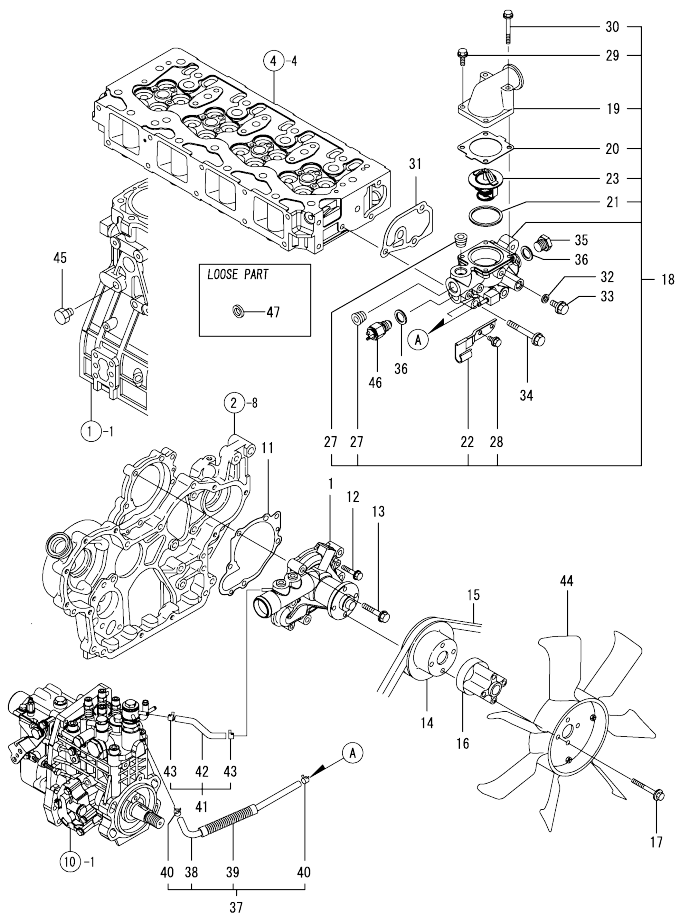
(A)=4TNV94L-XDBK
(B)=
(C)=

(D)=
(E)=
(F)=

No.	Lev.	Parts No.	Description	Q'ty						I	R
				(A)	(B)	(C)	(D)	(E)	(F)		
1	1	129900-34800	DIPSTICK, OIL	1							
2	1	121520-34810	GUIDE, DIPSTICK	1							
3	1	119000-35140	BOLT, FILTER	1							
4	1	129150-35153	FILTER	1							1
5	1	129900-32030	O-RING, P20	1							
6	1	129900-35000	PIPE ASSY, OIL INLET	1							
11	1	26106-080122	BOLT, M8X 12 PLATED	2							
12	1	114250-39450	SWITCH, 0.5KG	1							
13	1	129907-39061	PIPE ASSY, OIL	1							
15	2	123907-39500	RETAINER	1							
17	1	129005-59830	BOLT ASSY, JOINT M8	2							
18	2	22190-080002	WASHER, SEAL 6	2							
19	2	23857-030000	BOLT, JOINT 3	2							
20	1	22190-080002	WASHER, SEAL 6	2							
21	1	26106-080122	BOLT, M8X 12 PLATED	1							
22	1	22190-080002	WASHER, SEAL 6	2							
23	1	26106-080122	BOLT, M8X 12 PLATED	2							

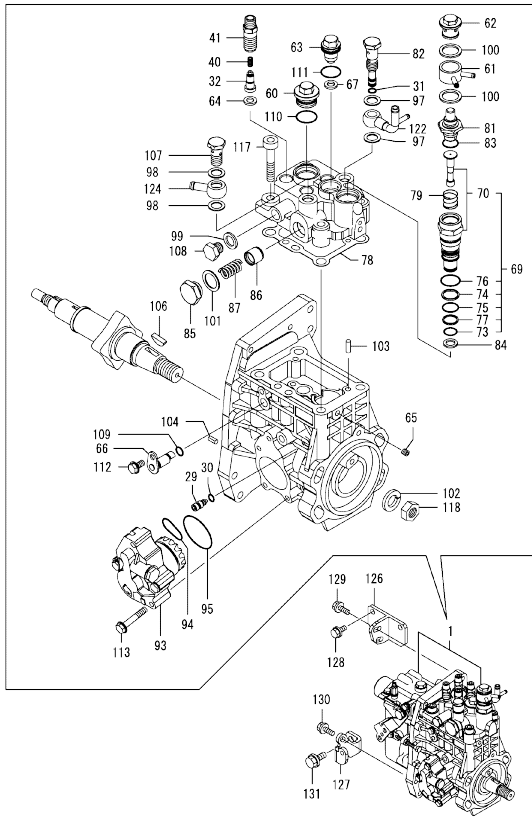
Remarks
(1) REPAIR PART.

Fig.9. COOLING WATER SYSTEM



No.	Lev.	Parts No.	Description	Q'ty						I	R
				(A)	(B)	(C)	(D)	(E)	(F)		
1	1	129907-42000	PUMP ASSY, WATER	1							
11	1	129900-42020	GASKET, WATER PUMP	1							
12	1	26106-060302	BOLT, M6X 30 PLATED	2							
13	1	26106-080552	BOLT, M8X 55 PLATED	5							
14	1	129916-42410	V-PULLEY	1							
14-1	1	129906-42420	V-PULLEY	1							N
(A)=FROM 1ST)											
15	1	25153-004500	V-BELT, B45	1							
16	1	119117-44760	SPACER, FAN	1							
17	1	26106-080802	BOLT, M8X 80 PLATED	4							
18	1	129906-49810	CASE ASSY,THERMOSTAT	1							
19	2	129980-49530	COVER, THERMOSTAT	1							
20	2	121850-49540	GASKET, THERMOSTAT	1							
21	2	121850-49550	GASKET, THERMOSTAT	1							
22	2	129907-49730	RETAINER, PIPE	1							
23	2	121850-49800	THERMOSTAT, 82	1							
27	2	129916-49740	PLUG, R03	2							
28	2	26106-060122	BOLT, M6X 12 PLATED	1							
29	2	26106-060202	BOLT, M6X 20 PLATED	2							
30	2	26106-060552	BOLT, M6X 55 PLATED	2							
31	1	129900-49870	GASKET	1							
32	1	23414-080000	GASKET, 8X1.0	1							
33	1	26106-080122	BOLT, M8X 12 PLATED	1							
34	1	26106-080602	BOLT, M8X 60 PLATED	3							
35	1	121450-42450	PLUG, M16	1							
36	1	124465-44950	GASKET, 16	2							
37	1	129907-49610	HOSE ASSY, WATER	1							
38	2	129907-49710	PIPE ASSY, WATER	1							
39	2	129907-49750	TUBE, CORRUGATED	1							
40	2	124722-59050	CLIP, HOSE 9	2							
41	1	129907-49620	HOSE ASSY, WATER	1							
42	2	129907-49720	PIPE ASSY, WATER	1							
43	2	124722-59050	CLIP, HOSE 9	2							
44	1	129981-44740	FAN, COOLING D=450	1							
45	1	171056-49120	PLUG, DRAIN	1							
46	1	121250-44901	SWITCH, 110	1							
47	1	129150-49360	GASKET	1							

Fig.10. FUEL INJECTION PUMP



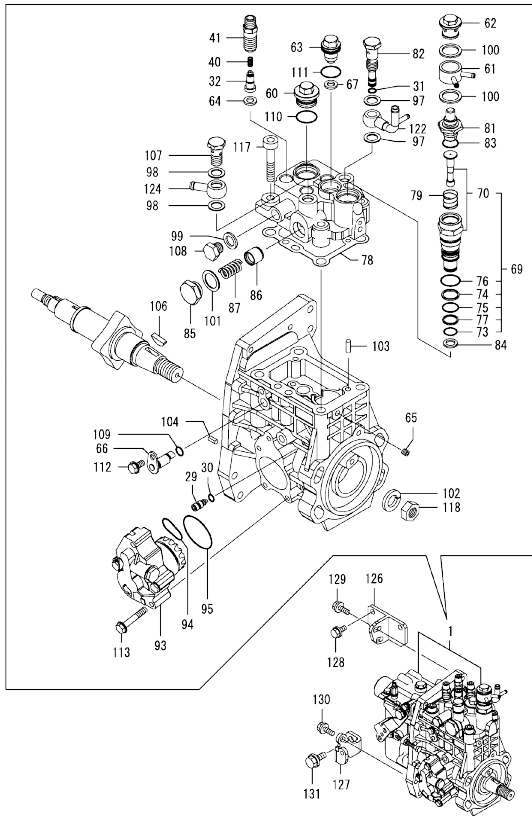
(A)=4TNV94L-XDBK
(B)=
(C)=

(D)=
(E)=
(F)=

No.	Lev.	Parts No.	Description	Qty						I	R	
				(A)	(B)	(C)	(D)	(E)	(F)			
1	1	729906-51330	PUMP ASSY, INJECTION	1							1	
29	2	158600-51270	STOPPER, TAPPET	1								
30	2	158563-51281	O-RING, 4D S6	1								
31	2	158563-51281	O-RING, 4D S6	1								
32	2	158560-51300	VALVE ASSY, DELIVERY	4								
40	2	158563-51330	SPRING, DELIVERY	4								
41	2	158560-51340	HOLDER, DELIVERY	4								
60	2	158601-51550	PLUG	1								
61	2	158553-51551	JOINT	1								
62	2	158601-51570	PLUG	1								
63	2	129907-51560	PLUG, BARREL	1								
64	2	158552-51570	GASKET	4								
65	2	158557-51570	PLUG	1								
66	2	158552-51580	LIFTER	1								
67	2	129906-51580	GASKET	1								
69	2	119802-51590	TIMER SET	1								
70	3	119802-51600	TIMER ASSY	1								
73	3	158553-51670	O-RING, 1011	1								
74	3	119802-51680	RING, BACK UP	1								
75	3	119802-51690	O-RING	1								
76	3	24356-010200	O-RING, 4D1020	1								
77	3	24372-000150	RING, BACK UP T2P15	1								
78	2	158560-51600	GASKET	1								
79	2	158553-51630	SPRING, TIMER	1								
81	2	158553-51640	ELEMENT	1								
82	2	158601-51650	JOINT, OVER FLOW	1								
83	2	158553-51660	O-RING, P14	1								
84	2	158553-51680	GASKET	1								
85	2	158601-51790	PLUG	1								
86	2	158601-51770	PISTON	1								
87	2	158552-51780	SPRING	1								
87-1	2	158552-51781	SPRING	1								N
(A=E#****)												
93	2	158552-52100	PUMP ASSY, FUEL FEED	1								
94	2	158552-52310	O-RING	1								
95	2	158552-52400	O-RING, 4E S42	1								
97	2	22190-120002	WASHER, SEAL 12	2								
98	2	22190-120002	WASHER, SEAL 12	2								
99	2	22190-120002	WASHER, SEAL 12	1								
100	2	22190-180002	WASHER, SEAL 18	2								
101	2	22190-180002	WASHER, SEAL 18	1								
102	2	22217-180000	WASHER, SPRING 18	1								
103	2	22312-050140	PIN, PARALLEL M5X14	2								
104	2	22351-050010	PIN, SPRING 5.0X10	2								
106	2	144626-51090	KEY, 5X19	1								
107	2	23857-060000	BOLT, JOINT 6	1								
108	2	23887-120002	PLUG, 12	1								
109	2	24311-000070	O-RING, 1AP7.0	1								
110	2	24356-010200	O-RING, 4D1020	1								
111	2	24356-020210	O-RING, 4D2021	1								
112	2	26106-060102	BOLT, M6X 10 PLATED	1								

Remarks
(1) GOVERNOR ASSY(FIG.11) IS
INCORPORATED IN THIS FOP.CMP
(REF.NO.1).

Fig.10. FUEL INJECTION PUMP



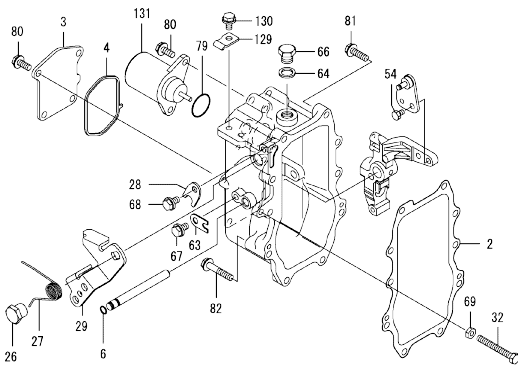
(A)=4TNV94L-XDBK
(B)=
(C)=

(D)=
(E)=
(F)=

No.	Lev.	Parts No.	Description	Q'ty						I	R
				(A)	(B)	(C)	(D)	(E)	(F)		
113	2	26106-060352	BOLT, M6X 35 PLATED	4							
117	2	26450-100452	BOLT, M10X 45	4							
118	2	26776-180002	NUT, LOCK M18	1							
122	2	158552-51670	JOINT, OVER FLOW	1							
124	2	129916-59020	JOINT, PIPE 12	1							
126	1	129907-01950	RETAINER	1							
127	1	129907-01960	RETAINER	1							
128	1	26106-080162	BOLT, M8X 16 PLATED	2							
129	1	26106-080222	BOLT, M8X 22 PLATED	2							
130	1	26106-080222	BOLT, M8X 22 PLATED	1							
131	1	26106-100202	BOLT, M10X 20 PLATED	1							

Remarks
(1) GOVERNOR ASSY(FIG.11) IS
INCORPORATED IN THIS FOP.CMP
(REF.NO.1).

Fig.11. GOVERNOR



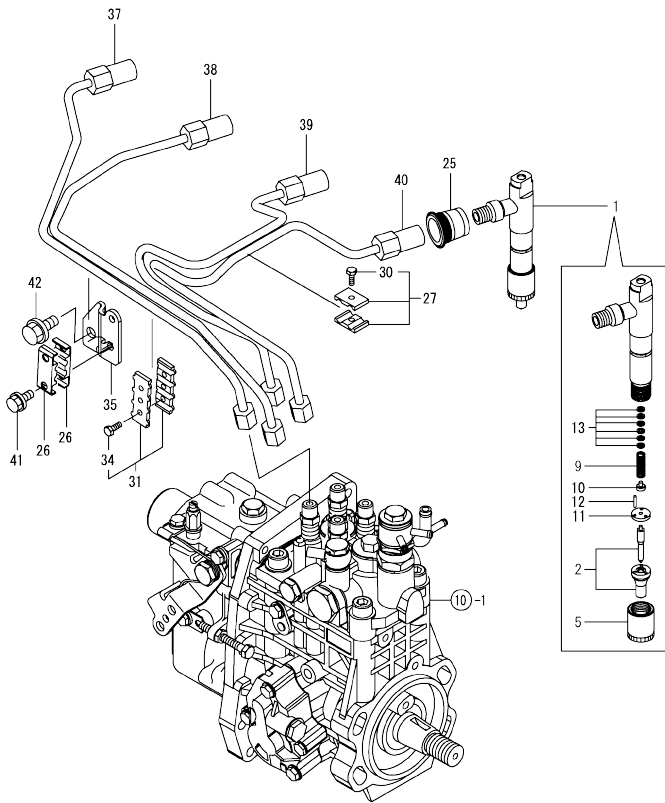
(A)=4TNV94L-XDBK
(B)=
(C)=

(D)=
(E)=
(F)=

No.	Lev.	Parts No.	Description	Q'ty						I	R
				(A)	(B)	(C)	(D)	(E)	(F)		
2	2	158560-61050	GASKET	1							
3	2	158560-61061	COVER, GOVERNOR CASE	1							
4	2	158560-61071	GASKET	1							
6	2	129155-51280	O-RING, S6	1							
26	2	129255-61410	NUT, LOCK	1							
27	2	123944-61420	SPRING	1							
28	2	158560-61430	RETAINER, SHAFT	1							
29	2	158560-61441	LEVER, REGULATOR	1							
32	2	129155-61460	BOLT, IDLE	1							
54	2	26116-060102	BOLT, M6X 10 PLATED	1							
63	2	119660-61901	RETAINER, SHAFT	1							
64	2	22190-160002	WASHER, SEAL 16	1							
66	2	23887-160002	PLUG, 16	1							
67	2	26106-060102	BOLT, M6X 10 PLATED	1							
68	2	26106-060102	BOLT, M6X 10 PLATED	1							
69	2	26756-060002	NUT, LOCK M6	1							
79	2	24341-000280	O-RING, 1AS28.0	1							
79-1	2	158552-61900	O-RING	1							N
(A=EXXXXX)											
80	2	26106-060142	BOLT, M6X 14 PLATED	6							
81	2	26106-060252	BOLT, M6X 25 PLATED	8							
82	2	26106-060402	BOLT, M6X 40 PLATED	2							
129	2	123944-61430	RETAINER	1							
130	2	26106-060102	BOLT, M6X 10 PLATED	1							
131	2	119233-77932	SOLENOID, STOP	1							

Remarks
* THIS FIGURE(GOVERNOR ASSY)IS
INCORPORATED IN THE FUEL INJECTION
PUMP ASSY(FIG.10).

Fig.12. FUEL INJECTION VALVE

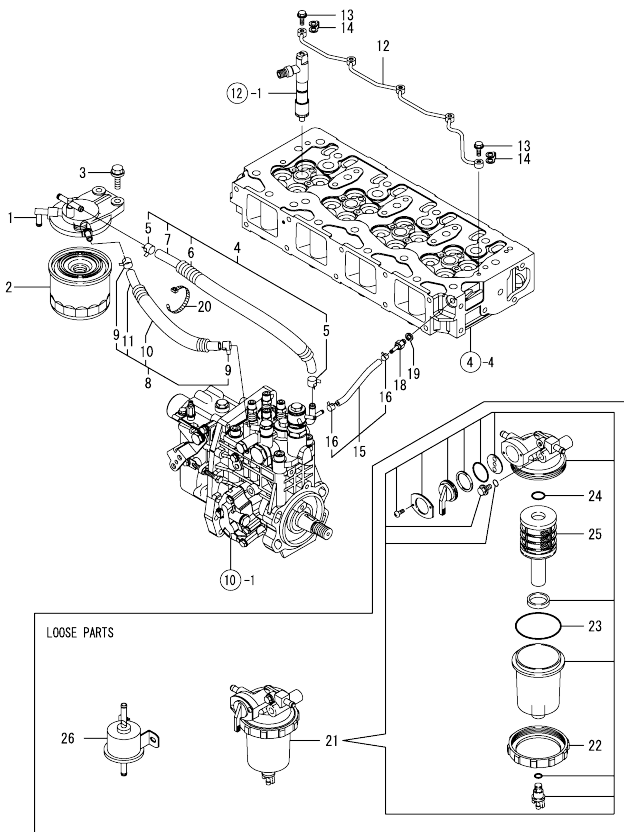


(A)=4TNV94L-XDBK
(B)=
(C)=

(D)=
(E)=
(F)=

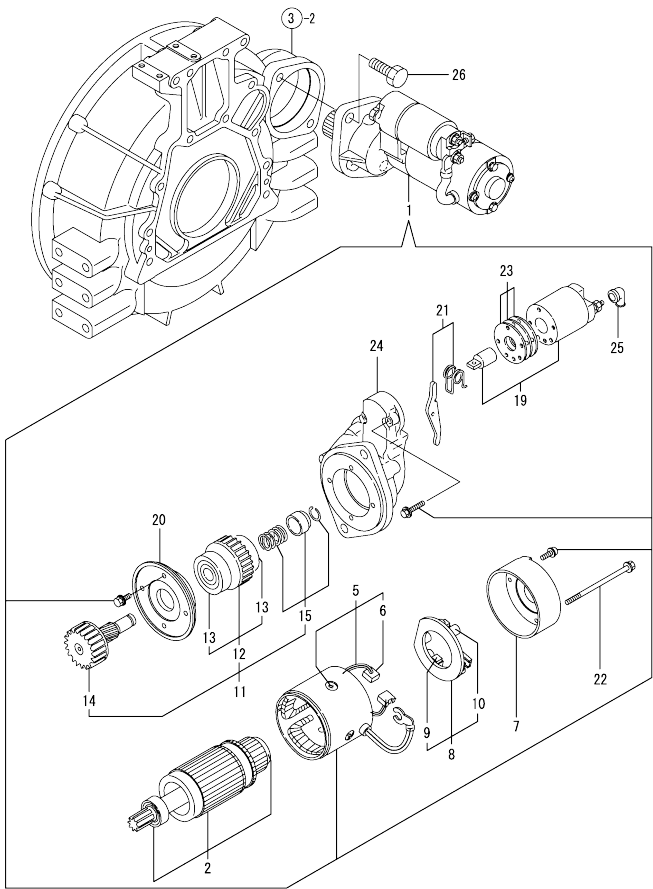
No.	Lev.	Parts No.	Description	Q'ty						I	R
				(A)	(B)	(C)	(D)	(E)	(F)		
1	1	729906-53100	VALVE ASSY,INJECTION	4							
2	2	129906-53000	VALVE ASSY,INJECTION	4							
5	2	114250-53080	NUT, NOZZLE D16.95	4							
9	2	114250-53120	SPRING, NOZZLE	4							
10	2	114250-53130	SEAT, SPRING	4							
11	2	114250-53140	PLATE	4							
12	2	114250-53210	PIN	8							
13	2	114250-53400	SHIM SET	4							
25	1	123907-11601	SEAL	4							
26	1	122780-59100	RETAINER	2							
27	1	119305-59120	RETAINER, PIPE	1							
30	2	129150-59131	BOLT, M4X14	1							
31	1	129550-59120	RETAINER, PIPE	1							
34	2	129150-59131	BOLT, M4X14	2							
35	1	129907-59710	SUPPORT	1							
37	1	129907-59810	PIPE ASSY, INJECTION	1							
38	1	129907-59820	PIPE ASSY, INJECTION	1							
39	1	129907-59830	PIPE ASSY, INJECTION	1							
40	1	129907-59840	PIPE ASSY, INJECTION	1							
41	1	26106-060162	BOLT, M6X 16 PLATED	2							
42	1	26106-080182	BOLT, M8X 18 PLATED	1							

Fig.13. FUEL LINE



No.	Lev.	Parts No.	Description	Q'ty						I	R
				(A)	(B)	(C)	(D)	(E)	(F)		
1	1	129004-55611	BRACKET, FILTER	1							
2	1	119802-55800	FILTER, FUEL	1							
3	1	26106-080302	BOLT, M8X 30 PLATED	2							
4	1	129457-59010	PIPE ASSY, FUEL	1							
5	2	124766-59050	CLIP, HOSE 12	2							
6	2	129957-59120	TUBE, CORRUGATED	1							
7	2	105025-59750	PIPE, FUEL	1							
8	1	129981-59010	PIPE ASSY, FUEL	1							
9	2	124766-59050	CLIP, HOSE 12	2							
10	2	129950-59221	TUBE, CORRUGATED	1							
11	2	129980-59510	PIPE, FUEL	1							
12	1	129907-59140	PIPE ASSY, RETURN	1							
13	1	123907-59540	BOLT, PIPE JOINT M6	5							
14	1	123907-59550	GASKET	5							
15	1	129486-59551	PIPE ASSY, RETURN	1							
16	2	124722-59050	CLIP, HOSE 9	2							
18	1	123907-59560	JOINT	1							
19	1	22190-080002	WASHER, SEAL 6	1							
20	1	121750-59890	BAND, 140	1							
21	1	129906-55700	SEPARATOR ASSY	1							
22	2	129100-55690	RING, RETAINING	1							
23	2	24321-000650	O-RING, 1AG65.0	1							
24	2	24311-000160	O-RING, 1AP16.0	1							
25	2	119802-55710	ELEMENT	1							
26	1	129612-52100	PUMP ASSY, FUEL FEED	1							

Fig.14. STARTING MOTOR



(A)=4TNV94L-XDBK
(B)=
(C)=

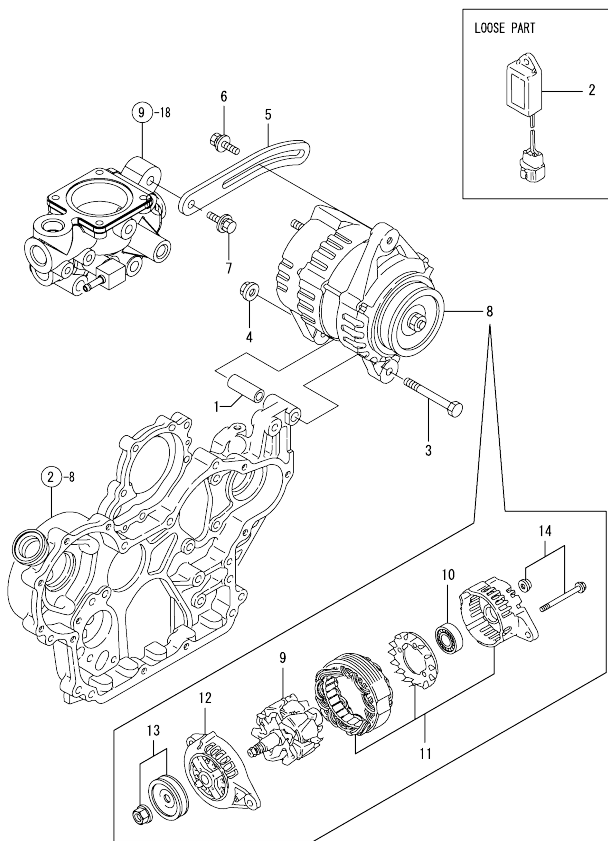
(D)=
(E)=
(F)=

No.	Lev.	Parts No.	Description	Q'ty						I	R
				(A)	(B)	(C)	(D)	(E)	(F)		
1	1	123900-77010	STARTER	1							
2	2	123900-77400	ARMATURE ASSY	1							
5	2	123900-77440	COIL ASSY, FIELD	1							
6	3	123900-77450	BRUSH	2							
7	2	123900-77460	COVER	1							
8	2	123900-77480	HOLDER ASSY, BRUSH	1							
9	3	123900-77450	BRUSH	2							
10	3	121254-77590	SPRING	4							
11	2	123900-77510	PINION ASSY	1							
12	3	123900-77520	CLUTCH ASSY	1							
13	4	X2240610100	BEARING, BALL	2							
14	3	123900-77540	SHAFT	1							
15	3	119131-77550	STOPPER KIT	1							
19	2	129900-77591	SWITCH ASSY	1							
20	2	123900-77610	RETAINER	1							
21	2	129900-77620	LEVER SET	1							
22	2	123900-77640	BOLT, THROUGH	2							
23	2	123900-77650	COVER ASSY, DUST	1							
24	2	123900-77710	CASE, GEAR	1							
25	2	171008-77750	COVER	1							
26	1	26116-120252	BOLT, M12X 25 PLATED	2							

Fig.15. GENERATOR

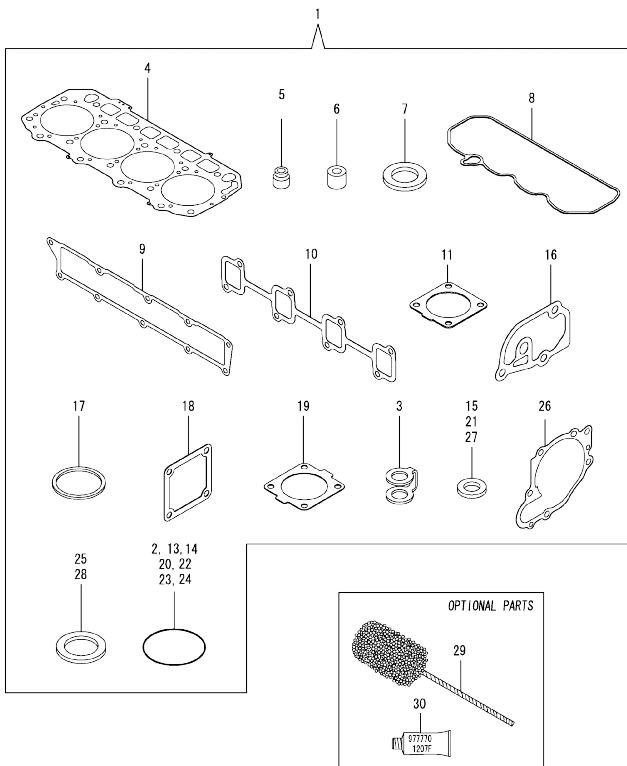
(A)=4TNV94L-XDBK
(B)=
(C)=

(D)=
(E)=
(F)=



No.	Lev.	Parts No.	Description	Q'ty						I	R
				(A)	(B)	(C)	(D)	(E)	(F)		
1	1	129470-77340	PIECE, DISTANCE	1							
2	1	129211-77920	TIMER	1							
3	1	26116-101202	BOLT, M10X120 PLATED	1							
4	1	26306-100002	NUT, M10	1							
5	1	129916-77300	ADJUSTER	1							
6	1	119810-77340	BOLT, ADJUSTER	1							
7	1	26014-080252	BOLT, M8X 25	1							
8	1	123900-77210	ALTERNATOR	1							
9	2	123900-77700	ROTOR ASSY	1							
10	2	129612-77710	BEARING, BALL	1							
11	2	123900-77720	BRACKET ASSY	1							
12	2	123900-77730	BRACKET ASSY	1							
13	2	123900-77740	PULLEY	1							
14	2	123900-77750	SCREW KIT	1							

Fig.16. GASKET SET



(A)=4TNV94L-XDBK
(B)=
(C)=

(D)=
(E)=
(F)=

No.	Lev.	Parts No.	Description	Q'ty						I	R
				(A)	(B)	(C)	(D)	(E)	(F)		
1	1	729906-92730	GASKET SET	1							1
1-1	1	129906-92680	GASKET SET	1							N 1
(A=2009.12)											
2	2	24351-030750	O-RING, 1A3075	1							
3	2	123907-59550	GASKET	5							
4	2	129906-01340	GASKET, HEAD	1							
4-1	2	129906-01350	GASKET, HEAD	1							N
(A=2009.12)											
5	2	124160-11340	SEAL, VALVE STEM	8							
6	2	119802-11870	PROTECTOR, NOZZLE	4							
7	2	119625-11880	SEAT, NOZZLE	4							
8	2	129907-11310	GASKET, BONNET	1							
9	2	129907-12110	GASKET, MANIFOLD	1							
10	2	129900-13251	GASKET	1							
11	2	129930-13201	GASKET, SILENCER	1							
12	2	124950-11340	SEAL, VALVE STEM	8							
13	2	129900-32030	O-RING, P20	2							
14	2	129900-32040	O-RING, P14	1							
15	2	124465-44950	GASKET, 16	2							
16	2	129900-49870	GASKET	1							
17	2	121850-49550	GASKET, THERMOSTAT	1							
18	2	121850-77021	GASKET	1							
19	2	121850-49540	GASKET, THERMOSTAT	1							
20	2	24341-000530	O-RING, 1AS53.0	1							
21	2	23414-080000	GASKET, 8X1.0	1							
22	2	24311-000070	O-RING, 1AP7.0	1							
23	2	24311-000120	O-RING, 1AP12.0	8							
24	2	24311-000320	O-RING, 1AP32.0	3							
25	2	22190-080002	WASHER, SEAL 6	7							
26	2	129900-42020	GASKET, WATER PUMP	1							
27	2	129150-49360	GASKET	1							
28	2	22190-220002	WASHER, SEAL 22	1							
29	1	129400-92440	HONE	1							1
30	1	977770-1207F	GASKET, LIQUID	1							1

Remarks
(1) OPTIONAL PART.

Parts No. Index

Parts No.	Fig. No.	Ref. No.	Parts No.	Fig. No.	Ref. No.	Parts No.	Fig. No.	Ref. No.	Parts No.	Fig. No.	Ref. No.
105025-59750	13	7	123900-25060	6	10	124766-59050	13	9	129900-23001	7	25
114250-39450	8	12	123900-77010	14	1	124950-11340	4	19	129900-23200	7	30
114250-53080	12	5	123900-77210	15	8		16	12	129900-23600	7	31
114250-53120	12	9	123900-77400	14	2	129001-91810	2	24	129900-23610	7	33
114250-53130	12	10	123900-77440	14	5		25	25	129900-23911	7	29
114250-53140	12	11	123900-77450	14	6	129004-55611	13	1	129900-25100	6	11
114250-53210	12	12		9	9	129005-59830	8	17	129900-32001	2	11
114250-53400	12	13	123900-77460	14	7	129100-01580	2	5	129900-32030	2	22
119000-35140	8	3	123900-77480	14	8		3	1		8	5
119005-12060	5	17	123900-77510	14	11	129100-55690	13	22		16	13
119117-44760	9	16	123900-77520	14	12	129150-02450	6	4	129900-32040	2	23
119131-18320	5	11	123900-77540	14	14	129150-11230	4	36		16	14
119131-77550	14	15	123900-77610	14	20		40	40	129900-34800	8	1
119233-77932	11	131	123900-77640	14	22	129150-11750	4	22	129900-35000	8	6
119305-59120	12	27	123900-77650	14	23		37	37	129900-42020	9	11
119593-11301	4	28	123900-77700	15	9		41	41		16	26
119620-11180	4	17	123900-77710	14	24	129150-14200	6	1	129900-49870	9	31
119625-11880	4	26	123900-77720	15	11	129150-25920	6	14		16	16
	16	7	123900-77730	15	12	129150-35153	8	4	129900-77591	14	19
119640-01640	3	9	123900-77740	15	13	129150-49360	9	47	129900-77620	14	21
119640-61400	4	61	123900-77750	15	14		16	27	129902-21000	7	1
119660-61901	11	63	123907-03100	4	54	129150-59131	12	30	129906-01340	1	32
119802-11870	4	69	123907-03110	4	55		34	34		16	4
	16	6	123907-03120	4	56	129155-51280	11	6	129906-01350	1	32 -2
119802-51590	10	69	123907-03140	4	57	129155-61460	11	32		16	4 -1
119802-51600	10	70	123907-11280	4	33	129211-77920	15	2	129906-22050	7	19
119802-51680	10	74	123907-11550	4	3	129255-61410	11	26	129906-22080	7	17
119802-51690	10	75	123907-11601	12	25	129400-92440	16	29	129906-22090	7	17 -1
119802-55710	13	25	123907-11820	4	10	129457-59010	13	4	129906-22900	7	35 -1
119802-55800	13	2	123907-11830	4	23	129470-77340	15	1	129906-22910	7	35 -2
119810-77340	15	6	123907-39500	8	15	129486-59551	13	15	129906-42420	9	14 -1
120130-22301	7	23	123907-59540	13	13	129550-59120	12	31	129906-49810	9	18
121250-44901	9	46	123907-59550	13	14	129612-52100	13	26	129906-51580	10	67
121254-77590	14	10		16	3	129612-77710	15	10	129906-53000	12	2
121450-42450	9	35	123907-59560	13	18	129900-01200	1	31	129906-55700	13	21
121520-34810	8	2	123944-61420	11	27	129900-01250	1	5	129906-92680	16	1 -1
121750-59890	13	20	123944-61430	11	129	129900-01850	2	39	129907-01190	1	33
121850-21130	7	11	124160-01751	2	35	129900-01870	2	40	129907-01331	1	32 -1
121850-21290	7	5		4	49	129900-02020	1	7	129907-01500	2	8
121850-21920	7	6	124160-11340	4	18	129900-02340	1	34	129907-01950	10	126
121850-49540	9	20		16	5	129900-02410	1	10	129907-01960	10	127
	16	19	124160-11360	4	64	129900-02930	1	28	129907-03011	4	51
121850-49550	9	21	124240-01871	2	43	129900-02940	1	37	129907-03061	4	52
	16	17	124240-01883	2	44	129900-07900	4	1	129907-03070	4	53
121850-49800	9	23	124465-44950	9	36	129900-13200	5	6	129907-11100	4	14
121850-77021	5	13		16	15	129900-13251	5	8	129907-11110	4	15
	16	18	124722-59050	9	40		16	10	129907-11120	4	16
122780-59100	12	26		43	43	129900-14100	6	7	129907-11250	4	30
123900-13610	5	9		13	16	129900-21200	7	4	129907-11260	4	31
123900-13630	5	10	124766-59050	13	5	129900-21600	7	15	129907-11270	4	32

Parts No. Index

Parts No.	Fig. No.	Ref. No.
129907-11310	4	60
	16	8
129907-11320	4	50
129907-11341	4	29
129907-11510	4	20
129907-11650	4	34
129907-11660	4	38
129907-11700	4	4
129907-11800	4	8
129907-11910	4	67
129907-11920	4	42
129907-11950	4	47
129907-12100	5	1
129907-12110	5	3
	16	9
129907-14400	6	2
129907-14581	6	3
129907-25900	6	17
129907-39061	8	13
129907-42000	9	1
129907-49610	9	37
129907-49620	9	41
129907-49710	9	38
129907-49720	9	42
129907-49730	9	22
129907-49750	9	39
129907-51560	10	63
129907-59140	13	12
129907-59710	12	35
129907-59810	12	37
129907-59820	12	38
129907-59830	12	39
129907-59840	12	40
129908-14581	6	3 -1
129915-77050	5	14
129916-01790	3	7
129916-01800	2	4
129916-21590	7	12
129916-21610	7	10
129916-21620	7	9
129916-22950	7	37 -1
129916-42410	9	14
129916-49740	9	27
129916-59020	10	124
129916-77300	15	5
129930-13201	5	16
	16	11
129950-59221	13	10
129951-01740	2	6
129953-01710	3	8

Parts No.	Fig. No.	Ref. No.
129953-25300	6	16
129957-59120	13	6
129960-21640	7	8
129980-49530	9	19
129980-59510	13	11
129981-01600	3	2
129981-44740	9	44
129981-59010	13	8
144626-51090	10	106
158552-51570	10	64
158552-51580	10	66
158552-51670	10	122
158552-51780	10	87
158552-51781	10	87 -1
158552-52100	10	93
158552-52310	10	94
158552-52400	10	95
158552-61900	11	79 -1
158553-51551	10	61
158553-51630	10	79
158553-51640	10	81
158553-51660	10	83
158553-51670	10	73
158553-51680	10	84
158557-51570	10	65
158560-51300	10	32
158560-51340	10	41
158560-51600	10	78
158560-61050	11	2
158560-61061	11	3
158560-61071	11	4
158560-61430	11	28
158560-61441	11	29
158563-51150	6	18
158563-51281	10	30
		31
158563-51330	10	40
158600-51270	10	29
158601-51550	10	60
158601-51570	10	62
158601-51650	10	82
158601-51770	10	86
158601-51790	10	85
171008-77750	14	25
171031-11741	2	41
171051-01921	1	6
171056-49120	9	45
22190-080002	8	18
		20
		22

Parts No.	Fig. No.	Ref. No.
22190-080002	13	19
	16	25
22190-120002	10	97
		98
		99
22190-160002	11	64
22190-180002	10	100
		101
22190-220002	3	11
	16	28
22217-180000	6	19
	10	102
22252-000300	7	24
22312-050140	10	103
22351-050010	10	104
22351-060012	1	11
22512-070140	6	8
	7	7
22857-500100	4	62
		63
23414-080000	9	32
	16	21
23857-030000	8	19
23857-060000	10	107
23876-020000	4	11
23876-030000	1	12
		13
		14
	4	12
23887-120002	10	108
23887-160002	11	66
24311-000070	2	26
	10	109
	16	22
24311-000120	4	27
		65
	16	23
24311-000160	13	24
24311-000320	2	38
		42
	4	66
	16	24
24321-000650	13	23
24341-000280	11	79
24341-000530	7	16
	16	20
24351-030750	2	27
	16	2
24356-010200	10	76
		110

Parts No.	Fig. No.	Ref. No.
24356-020210	10	111
24372-000150	10	77
25153-004500	9	15
26014-080252	15	7
26106-060102	10	112
	11	67
		68
		130
26106-060122	9	28
26106-060142	11	80
26106-060162	12	41
26106-060202	9	29
26106-060252	11	81
26106-060302	9	12
26106-060352	10	113
26106-060402	11	82
26106-060552	9	30
26106-080122	3	12
	8	11
		21
		23
	9	33
26106-080162	2	28
		29
		36
		45
	4	2
	6	9
	10	128
26106-080182	12	42
26106-080202	2	30
26106-080222	10	129
		130
26106-080302	13	3
26106-080352	5	15
26106-080402	2	31
		32
	4	44
26106-080452	2	33
26106-080552	5	4
	6	15
	9	13
26106-080602	4	45
		46
	9	34
26106-080802	9	17
26106-080852	5	5
26106-100202	10	131
26116-060102	11	54
26116-101202	15	3

Parts No. Index

Parts No.	Fig. No.	Ref. No.
26116-120252	14	26
26206-100352	3	5
26206-100702	3	6
26216-100302	2	10
26226-080222	4	43
26306-080002	4	48
	5	12
26306-100002	2	34
	15	4
26450-100452	10	117
26756-060002	11	69
26776-180002	6	20
	10	118
27241-300000	1	15
27241-400000	4	13
27310-070001	4	24
729900-02800	1	25
729906-01550	2	1
729906-01560	1	1
729906-22900	7	35
729906-22950	7	37
729906-51330	10	1
729906-53100	12	1
729906-92730	16	1
977770-1207F	2	37
	3	4
	4	68
	16	30
X2240610100	14	13

Parts No.	Fig. No.	Ref. No.
-----------	----------	----------

Parts No.	Fig. No.	Ref. No.
-----------	----------	----------

Parts No.	Fig. No.	Ref. No.
-----------	----------	----------