

0CW10-M05801EN

Directions for the Parts Catalog.

1. This Parts Catalog shows both standard and optional parts.
2. Parts may change without prior notice.
3. The following is an example of the Parts Catalog format.

REF.	LEV.	PARTS NO.	DESCRIPTION	Q'TY						I	R
				(A)	(B)	(C)	(D)	(E)	(F)		
1	1	729595-51390	FUEL INJECTION PUMP	1	1	1	1	1			1
1-1	1	729595-51391	FUEL INJECTION PUMP	1	1	1	1	1		N	1
		(A=E00185) (B=E00200)									
3	2	26022-060162	SCREW M 6X 16	9	9	9	9	9			
3-1	2	26022-060162	SCREW M 6X 16	4	4	4	4	4		K	
		(A=E00156) (B=E00156) (C=E00156) (D=E00156) (E=E00156)									
4	2	129470-51040	CAMSHAFT	1	1	1	1	1			
5	2	122710-51050	BEARING, ROLLER	2	2	2	2	2			
6	2	129470-51060	RETAINER	1	1	1	1	1			

Remarks
(1) BOOST COMPEMSATOR TYPE. OPTIONAL PART, TO E00155,(4JH-DT, 4JH-DTZ

① Ref. No.

The Ref. No. listed may not be in accordance with the illustration Ref. No.

(Ex.) Illustration No.

List Ref No.

1 1 (Before change) → 1-1 (After change)

For interchangeable symbols N, R and K, illustrations for new parts may be abbreviated.

② Lev. (Level)

Level indication

The numbers below indicate the level of relativity towards the main part.

1 ---- Main parts (Assembly parts)

2 ---- Sub component included in " 1 ".

3 ---- Sub component included in " 2 ".

Note) Parts that are not for sale are partially illustrated but not listed.

③ Interchangeability Symbol

When a part change takes place, one of the following interchangeability symbols is indicated beside the part.

Symbol	Interchangeability	Contents note
N	Old $\begin{matrix} \leftarrow \text{Yes} \\ \text{No} \rightarrow \end{matrix}$ New	New Part is interchangeable for Old Part but Old Part is not interchangeable for New Part.
Q	Old $\begin{matrix} \leftarrow \text{No} \\ \text{Yes} \rightarrow \end{matrix}$ New	New Part is not interchangeable for Old Part but Old Part is interchangeable for New Part.
R	Old $\begin{matrix} \leftarrow \text{Yes} \\ \text{Yes} \rightarrow \end{matrix}$ New	New/ Old Parts are both interchangeable.
S	Old $\begin{matrix} \leftarrow \text{No} \\ \text{No} \rightarrow \end{matrix}$ New	New/ Old Parts are both not interchangeable.
W		Part newly added.
Z		Part discontinued.
F		Not interchangeable by a single part but interchangeable together with related parts.
K		Changes only for used parts quantities.

④ Effective Machine No.

When a part changes, the effective Machine No. will be indicated in the (A)-(F) column.

Product Symbol	Product No.	Product Symbol	Product No.
C	Clutch No. Compressor No.	F	Machine No. (Agricultural Equip.)
D	Drive No.	M	Machine No.
E	Engine No.		

Note 1) A date may follow the symbol. (Ex.) 1996.01

Note 2) "XXXXX" and "ZZZZZ" are for parts that could not be predicted or for engine models that could not be identified.

Note 3) (A=E00185) is the E (Engine Serial Number) for the column (A) model (in this case 4JH-DT) after the parts design change.

⑤ Remarks

Figures or alphabets (symbols) are entered in the remarks column.

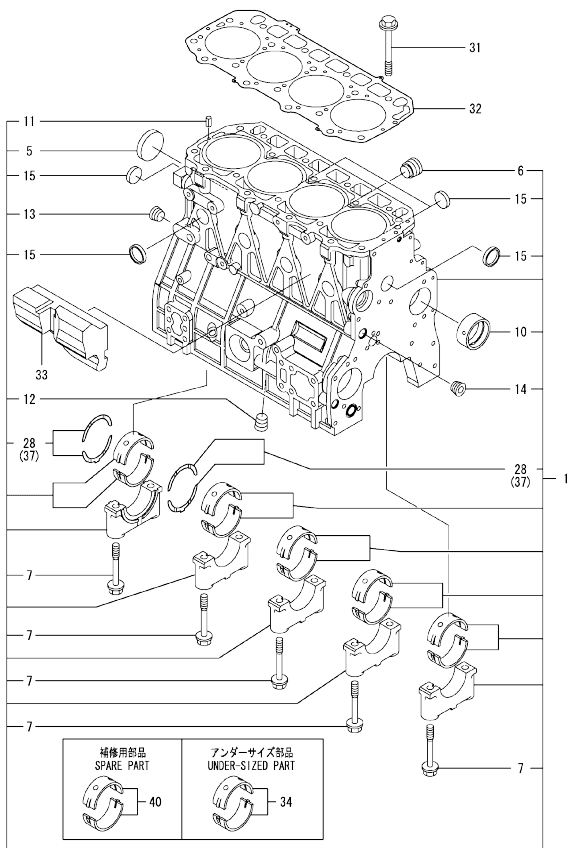
The comments (remarks) on parts that are indicated at the bottom of the illustration are the same symbols as those stated above.

Contents

0CW10-M05801

Fig. No.	Fig. Name	Fig. No.	Fig. Name
4TNV94L-XDBC			
1.	CYLINDER BLOCK		
2.	GEAR HOUSING		
3.	FLYWHEEL HOUSING & OIL SUMP		
4.	CYLINDER HEAD & BONNET		
5.	SUCTION & EXHAUST MANIFOLD		
6.	CAMSHAFT & DRIVING GEAR		
7.	CRANKSHAFT & PISTON		
8.	LUB.OIL SYSTEM		
9.	COOLING WATER SYSTEM		
10.	FUEL INJECTION PUMP		
11.	GOVERNOR		
12.	FUEL INJECTION VALVE		
13.	FUEL LINE		
14.	STARTING MOTOR		
15.	GENERATOR		
16.	GASKET SET		

Fig.1. CYLINDER BLOCK



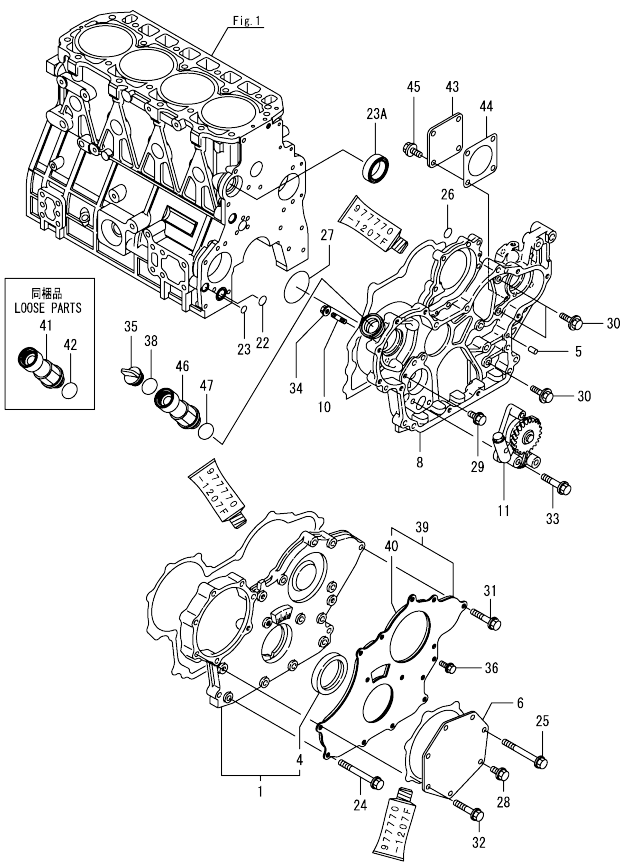
(A)=4TNV94L-XDBC
(B)=
(C)=

(D)=
(E)=
(F)=

No.	Lev.	Parts No.	Description	Q'ty						I	R
				(A)	(B)	(C)	(D)	(E)	(F)		
1	1	729906-01560	BLOCK ASSY, CYLINDER	1							
1-1	1	729906-01561 (A=E28728)	BLOCK ASSY, CYLINDER	1							N
5	2	129900-01250	PLUG, DISH TYPE 55	1							
6	2	171051-01921	PLUG, NPTF1	1							
7	2	129900-02020	BOLT, METAL CAP	10							
10	2	129900-02410	BUSH, CAMSHAFT	1							
11	2	22351-060012	PIN, SPRING 6.0X12	2							
12	2	23876-030000	PLUG, R03	1							
13	2	23876-030000	PLUG, R03	1							
14	2	23876-030000	PLUG, R03	1							
15	2	27241-300000	PLUG 30	8							
28	2	129900-02930	BEARING ASSY, THRUST	2							
28-1	2	129900-02931 (A=E28728)	BEARING ASSY, THRUST	2							N
31	1	129900-01200	BOLT, CYLINDER HEAD	18							
32	1	129906-01340	GASKET, HEAD	1							
32-1	1	129907-01331	GASKET, HEAD	1							N
		(A=E72731)									
32-2	1	129906-01350 (A=E76634)	GASKET, HEAD	1							N
33	1	129907-01190	SPACER	1							
34	1	129900-02340	BEARING ASSY, MAIN	5							1
34-1	1	129900-02341	BEARING ASSY, MAIN	5							N 1
		(A=E28728)									
37	1	129900-02940	BEARING, THRUST 0.25	2							2
37-1	1	129900-02941	BEARING, THRUST 0.25	2							N 2
		(A=E28728)									
40	1	729900-02800	BEARING, MAIN	5							3
40-1	1	729900-02801 (A=E28728)	BEARING, MAIN	5							N 3

Remarks
(1)Under-sized(U.S.=0.25)part.
(2)Over-sized(O.S.=0.25)part.
(3)Spare part.

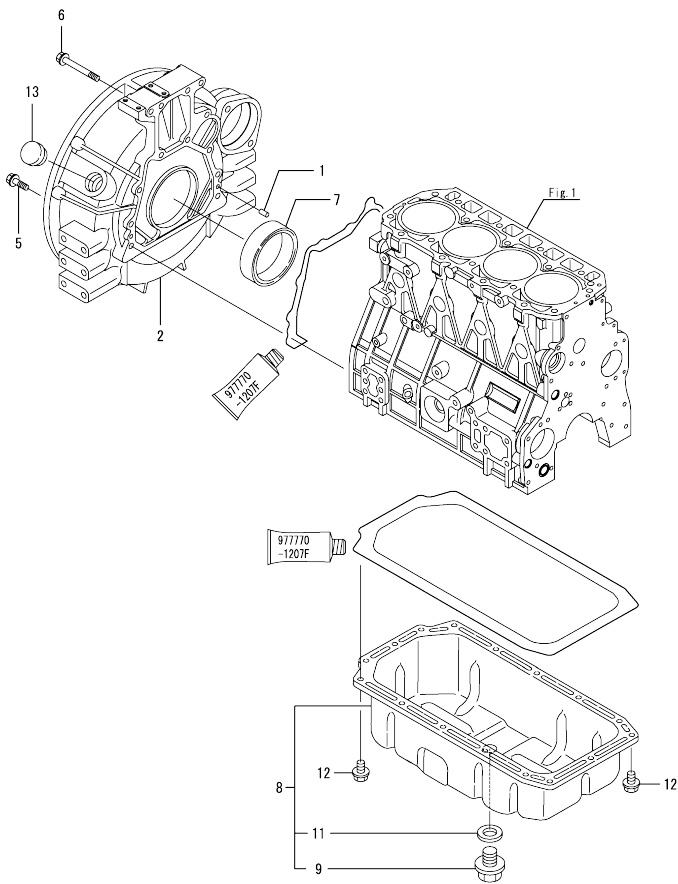
Fig.2. GEAR HOUSING



No.	Lev.	Parts No.	Description	Qty						I	R
				(A)	(B)	(C)	(D)	(E)	(F)		
1	1	729907-01559	COVER ASSY,GEAR CASE	1							
4	2	129916-01800	SEAL, OIL	1							
5	1	129100-01580	PIN, PARALLEL 8X16	4							
6	1	129951-01740	COVER	1							
8	1	129907-01500	CASE, GEAR	1							
10	1	26216-100302	STUD, M10X 30	4							
11	1	129900-32001	PUMP ASSY, OIL	1							
22	1	129900-32030	O-RING, P20	1							
23	1	129900-32040	O-RING, P14	1							
23A	1	129927-42140	GASKET, PUMP OUTLET	1							W
(A=2014.09)											
24	1	129001-91810	BOLT, M8X70	6							
24-1	1	26106-080702	BOLT, M8X 70 PLATED	6							R
(A=EXXXXX)											
25	1	129001-91810	BOLT, M8X70	1							
25-1	1	26106-080702	BOLT, M8X 70 PLATED	1							R
(A=EXXXXX)											
25-2	1	26106-080752	BOLT, M8X 75 PLATED	1							N
(A=E76634)											
26	1	24311-000070	O-RING, 1AP7.0	1							
27	1	24351-030750	O-RING, 1A3075	1							
28	1	26106-080162	BOLT, M8X 16 PLATED	1							
28-1	1	26106-080202	BOLT, M8X 20 PLATED	1							N
(A=E76634)											
29	1	26106-080162	BOLT, M8X 16 PLATED	1							
30	1	26106-080202	BOLT, M8X 20 PLATED	3							
31	1	26106-080402	BOLT, M8X 40 PLATED	5							
32	1	26106-080402	BOLT, M8X 40 PLATED	5							
32-1	1	26106-080452	BOLT, M8X 45 PLATED	5							N
(A=E76634)											
33	1	26106-080452	BOLT, M8X 45 PLATED	3							
34	1	26306-100002	NUT, M10	4							
35	1	124160-01751	CAP, FILLER	1							
36	1	26106-080162	BOLT, M8X 16 PLATED	3							
38	1	24311-000320	O-RING, 1AP32.0	1							
39	1	129900-01850	COVER ASSY,GEAR CASE	1							
40	2	129900-01870	SPONGE, GEAR CASE	1							
41	1	171031-11741	PIPE	1							Z
(A=E72695)											
42	1	24311-000320	O-RING, 1AP32.0	1							Z
(A=E72695)											
43	1	124240-01871	COVER, PUMP	1							
44	1	124240-01883	GASKET	1							
44-1	1	129C26-01890	GASKET, HO-P	1							R
(A=EXXXXX)											
45	1	26106-080162	BOLT, M8X 16 PLATED	4							
46	1	171031-11741	PIPE	1							W
(A=E72695)											
47	1	24311-000320	O-RING, 1AP32.0	1							W
(A=E72695)											

N:Old $\frac{100}{100}$ New, Q:Old $\frac{100}{100}$ New, R:Old $\frac{100}{100}$ New, S:Old $\frac{100}{100}$ New, W:Add, Z:Discontinued, F:Interchangeable by set, K:Qty Change
 Copyright (C) YANMAR GLOBAL CS CO., LTD. All Rights Reserved.

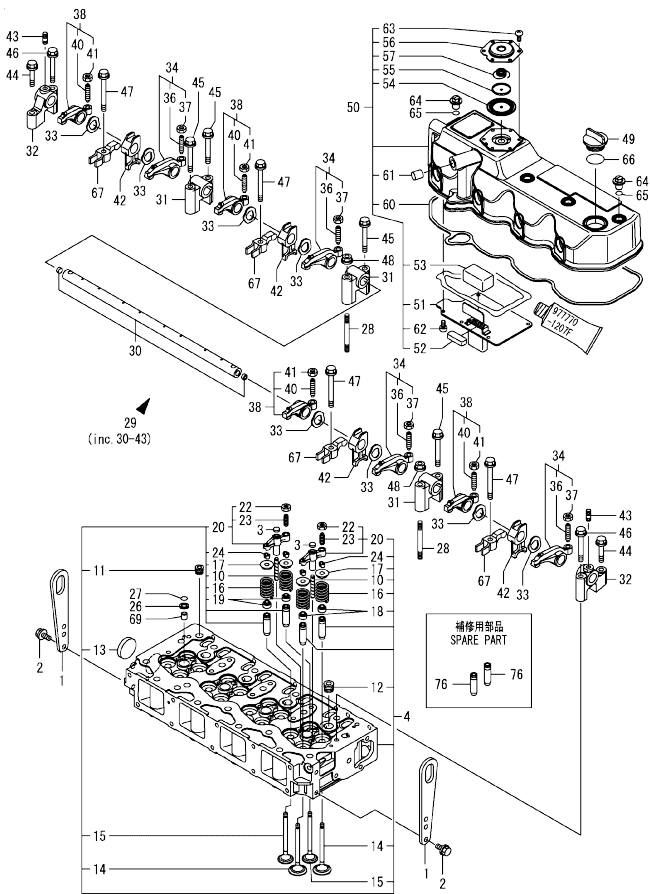
Fig.3. FLYWHEEL HOUSING & OIL SUMP



No.	Lev.	Parts No.	Description	Q'ty						I	R
				(A)	(B)	(C)	(D)	(E)	(F)		
1	1	129100-01580	PIN, PARALLEL 8X16		2						
2	1	129981-01600	HOUSING, FLYWHEEL		1						
5	1	26206-100352	BOLT, M10X 35 PLATED		9						
6	1	26206-100702	BOLT, M10X 70 PLATED		4						
7	1	129916-01790	SEAL, D115/95XT11		1						
8	1	129953-01710	OIL PAN ASSY		1						
9	2	119640-01640	PLUG, DRAIN M22		1						
11	2	22190-220002	WASHER, SEAL 22		1						
12	1	26106-080122	BOLT, M8X 12 PLATED		16						
13	1	119620-01750	CAP		1						W

(A)=4TNV94L-XDBC
(B)=
(C)=
(D)=
(E)=
(F)=

Fig.4. CYLINDER HEAD & BONNET



(A)=4TNV94L-XDBC
(B)=
(C)=

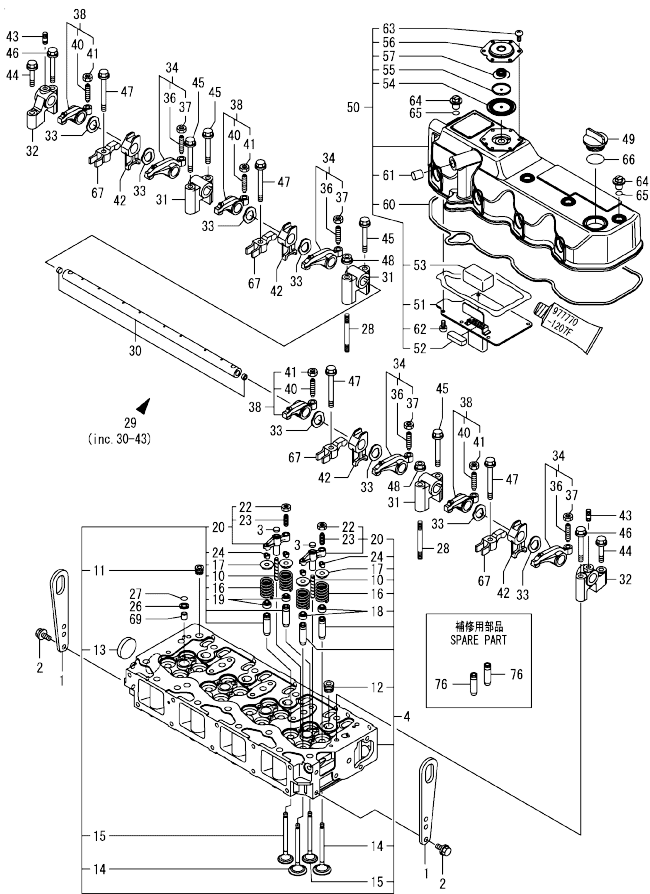
(D)=
(E)=
(F)=

No.	Lev.	Parts No.	Description	Q'ty						I	R
				(A)	(B)	(C)	(D)	(E)	(F)		
1	1	129900-07900	LIFTER, ENGINE	2							
2	1	26106-080162	BOLT, M8X 16 PLATED	4							
3	1	123907-11550	SEAT, VALVE BRIDGE	8							
4	1	129907-11700	HEAD ASSY, CYLINDER	1							
10	2	123907-11820	GUIDE, BRIDGE	8							
11	2	23876-020000	PLUG, R02	1							
12	2	23876-030000	PLUG, R03	4							
13	2	27241-400000	PLUG, 40	1							
14	2	129907-11100	VALVE, SUCTION	8							
15	2	129907-11110	VALVE, EXHAUST	8							
16	2	129907-11120	SPRING, VALVE	16							
17	2	119620-11180	RETAINER, SPRING	16							
18	2	124160-11340	SEAL, VALVE STEM	8							
19	2	124950-11340	SEAL, VALVE STEM	8							
19-1	2	119803-11340	SEAL, VALVE STEM	8							N
(A=E30402)											
20	2	129907-11510	BRIDGE ASSY, VALVE	8							
22	3	129150-11750	NUT, M8	8							
23	3	123907-11830	ADJUSTER	8							
24	2	27310-070001	COTTER, 7	16							
26	1	119625-11880	SEAT, NOZZLE	4							
27	1	24311-000120	O-RING, 1AP12.0	4							
28	1	119593-11301	BOLT, STUD M8X80	2							
29	1	129907-11341	SHAFT ASSY, ROCKER	1							
30	2	129907-11250	SHAFT, ROCKER ARM	1							
31	2	129907-11260	SUPPORT, ROCKER ARM	3							
32	2	129907-11270	SUPPORT, ROCKER ARM	2							
33	2	123907-11280	WASHER	8							
34	2	129907-11650	ARM ASSY, ROCKER	4							
36	3	129150-11230	SCREW, VALVE ADJUST	4							
37	3	129150-11750	NUT, M8	4							
38	2	129907-11660	ARM ASSY, ROCKER	4							
40	3	129150-11230	SCREW, VALVE ADJUST	4							
41	3	129150-11750	NUT, M8	4							
42	2	129907-11920	RETAINER, NOZZLE	4							
43	2	26226-080222	STUD, M8X 22	2							
44	1	26106-080402	BOLT, M8X 40 PLATED	2							
45	1	26106-080602	BOLT, M8X 60 PLATED	4							
46	1	26106-080602	BOLT, M8X 60 PLATED	2							
47	1	129907-11950	BOLT, M8X75	4							
48	1	26306-080002	NUT, M8	2							
49	1	124160-01751	CAP, FILLER	1							
50	1	129907-11320	BONNET ASSY, HEAD	1							
50-1	1	129907-11321	BONNET ASSY, HEAD	1							N
(A=E39508)											
51	2	129907-03011	PLATE, BAFFLE	1							
52	2	129907-03061	BAFFLE, BREATHER	1							
53	2	129907-03070	BAFFLE, BREATHER	1							
54	2	123907-03100	DIAPHRAGM	1							
55	2	123907-03110	PLATE	1							
56	2	123907-03120	PLATE, BREATHER	1							

Remarks
(1) Spare part.

N:Old $\frac{100}{100}$ New, Q:Old $\frac{100}{100}$ New, R:Old $\frac{100}{100}$ New, S:Old $\frac{100}{100}$ New, W:Add, Z:Discontinued, F:Interchangeable by set, K:Qty Change
++ CONTINUE ++
Copyright (C) YANMAR GLOBAL CS CO., LTD. All Rights Reserved.

Fig.4. CYLINDER HEAD & BONNET



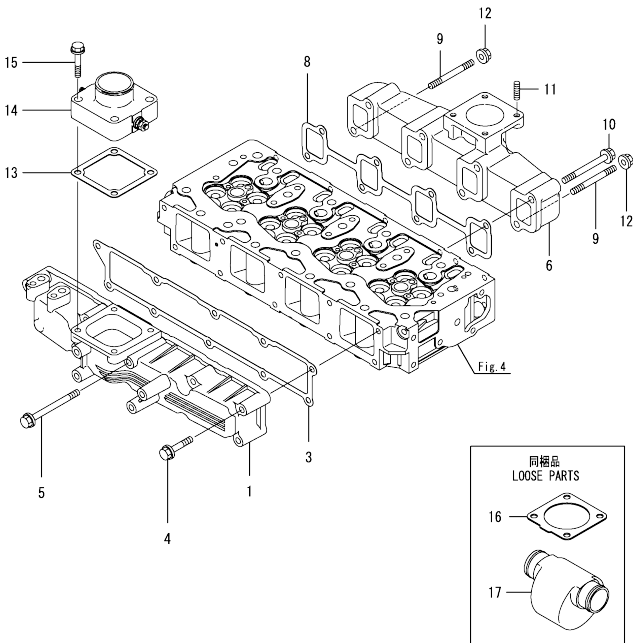
(A)=4TNV94L-XDBC
(B)=
(C)=

(D)=
(E)=
(F)=

No.	Lev.	Parts No.	Description	Q'ty						I	R
				(A)	(B)	(C)	(D)	(E)	(F)		
57	2	123907-03140	SPRING, DIAPHRAGM	1							
60	2	129907-11310	GASKET, BONNET	1							
60-1	2	129933-11310	GASKET, BONNET	1							N
(A=E39508)											
61	2	119640-61400	PLUG	1							
62	2	22857-500100	SCREW, 5X10	6							
63	2	22857-500100	SCREW, 5X10	6							
64	1	124160-11360	KNOB	4							
65	1	24311-000120	O-RING, 1AP12.0	4							
66	1	24311-000320	O-RING, 1AP32.0	1							
67	1	129907-11910	RETAINER, NOZZLE	4							
69	1	119802-11870	PROTECTOR, NOZZLE	4							
76	1	129907-11800	GUIDE, VALVE	16							1

Remarks
(1)Spare part.

Fig.5. SUCTION & EXHAUST MANIFOLD

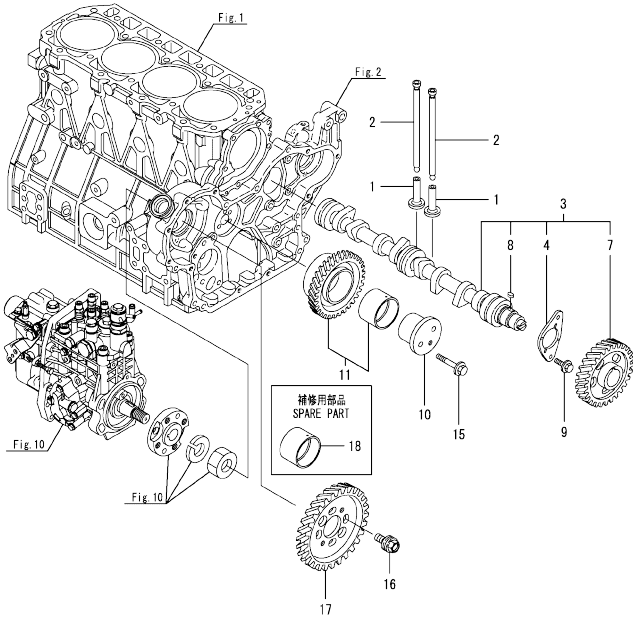


(A)=4TNV94L-XDBC
(B)=
(C)=

(D)=
(E)=
(F)=

No.	Lev.	Parts No.	Description	Q'ty						I	R
				(A)	(B)	(C)	(D)	(E)	(F)		
1	1	129907-12100	MANIFOLD, AIR INTAKE	1							
3	1	129907-12110	GASKET, MANIFOLD	1							
4	1	26106-080552	BOLT, M8X 55 PLATED	9							
5	1	26106-080852	BOLT, M8X 85 PLATED	1							
6	1	129900-13200	MANIFOLD, EXHAUST	1							
8	1	129900-13251	GASKET, EXH.MANIFOLD	1							
9	1	123900-13610	BOLT, STUD M8X80	2							
10	1	123900-13630	BOLT, M8X80	6							
11	1	119131-18320	BOLT, STUD M8X22	4							
12	1	26306-080002	NUT, M8	2							
13	1	121850-77021	GASKET, AIR HEATER	1							
14	1	129915-77050	HEATER, AIR 12V	1							
14-1	1	129915-77051	HEATER, AIR 12V	1							N
		(A=E62262)									
15	1	26106-080352	BOLT, M8X 35 PLATED	4							
16	1	129930-13201	GASKET, SILENCER	1							
17	1	119005-12060	SILENCER, INTAKE	1							

Fig.6. CAMSHAFT & DRIVING GEAR



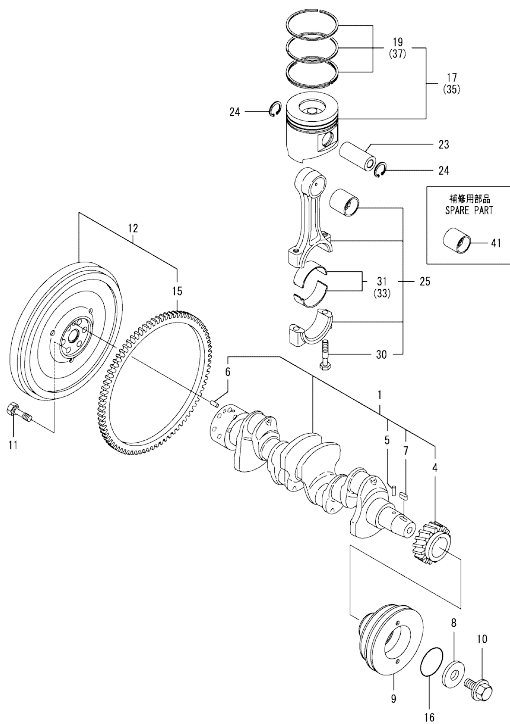
(A)=4TNV94L-XDBC
(B)=
(C)=

(D)=
(E)=
(F)=

No.	Lev.	Parts No.	Description	Q'ty						I	R
				(A)	(B)	(C)	(D)	(E)	(F)		
1	1	129150-14200	TAPPET	8							
2	1	129907-14400	PUSH-ROD	8							
3	1	129907-14581	CAMSHAFT ASSY	1							
3-1	1	129908-14581	CAMSHAFT ASSY	1							N
		(A=EC0322)									
4	2	129150-02450	BEARING, THRUST	1							
7	2	129900-14100	GEAR, CAMSHAFT	1							
8	2	22512-070140	KEY, 7X 14	1							
9	1	26106-080162	BOLT, M8X 16 PLATED	2							
10	1	123900-25060	SHAFT, IDLE GEAR	1							
11	1	129900-25100	GEAR ASSY, IDLE	1							
15	1	26106-080552	BOLT, M8X 55 PLATED	3							
16	1	129953-25300	BOLT	4							
17	1	129907-25900	GEAR, PUMP	1							
18	1	129150-25920	BUSH, IDLE GEAR	1							1

Remarks
(1)Spare part.

Fig.7. CRANKSHAFT & PISTON



(A)=4TNV94L-XDBC
(B)=
(C)=

(D)=
(E)=
(F)=

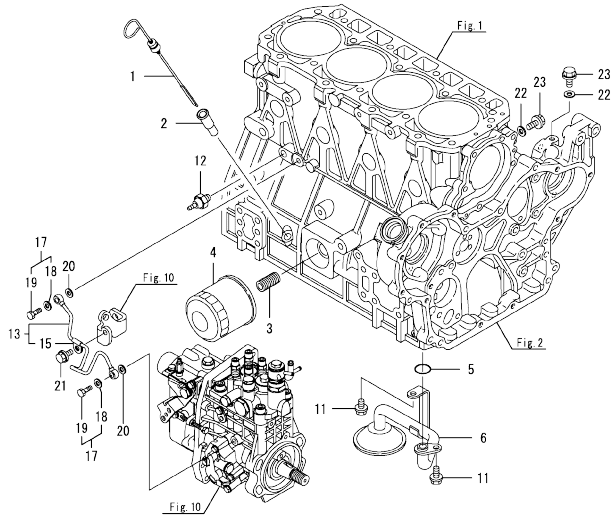
No.	Lev.	Parts No.	Description	Q'ty						I	R
				(A)	(B)	(C)	(D)	(E)	(F)		
1	1	129902-21000	CRANKSHAFT ASSY	1							
4	2	129900-21200	GEAR, CRANKSHAFT	1							
5	2	121850-21290	PIN	1							
6	2	121850-21920	PIN, PARALLEL 10X22	1							
7	2	22512-070140	KEY, 7X 14	1							
8	1	129960-21640	WASHER	1							
9	1	129916-21620	V-PULLEY, CRANKSHAFT	1							
10	1	129916-21610	BOLT	1							
11	1	121850-21130	BOLT, FLYWHEEL	6							
12	1	129916-21590	FLYWHEEL ASSY	1							
15	2	129900-21600	GEAR, RING	1							
16	1	24341-000530	O-RING, 1AS53.0	1							
17	1	129906-22080	PISTON ASSY	4							
17-1	1	129906-22090	PISTON ASSY	4							F 4
(A=E76679)											
19	2	129906-22050	RING SET, PISTON	4							
23	1	120130-22301	PIN, PISTON	4							
24	1	22252-000300	RING, 30	8							
25	1	129900-23001	ROD ASSY, CONNECTING	4							
30	2	129900-23200	BOLT, CONNECTING ROD	8							
31	2	129900-23600	BEARING, CRANK PIN	4							
31-1	2	129900-23601	BEARING, CRANK PIN	4							N
(A=E28728)											
33	1	129900-23610	BEARING ASSY, 0.25US	4							2
33-1	1	129900-23611	BEARING ASSY, 0.25US	4							N 2
(A=E28728)											
35	1	129906-22900	PISTON ASSY, 0.25 OS	4							3
35-1	1	129906-22900	PISTON ASSY, 0.25 OS	4							R 3
(A=EXXXXX)											
35-2	1	129906-22910	PISTON ASSY, 0.25 OS	4							F 3
(A=E76679)											
37	2	129906-22950	RING SET, 0.25 OS	4							3
37-1	2	129916-22950	RING SET, 0.25 OS	4							R 3
(A=EXXXXX)											
41	1	129900-23911	BEARING, PISTON PIN	4							1

Remarks

- (1) Spare part.
- (2) Under-sized (U.S.=0.25) part.
- (3) Over-sized (O.S.=0.25) part.
- Ref. No.35-1 is interchangeable with a set of Ref. No.35-2 and Fig.1 Ref. No.32-2.
- (4) Ref. No.17 is interchangeable with a set of Ref. No.17-1 and Fig.1 Ref. No.32-2.

0CW10-M05801 4TNV94L-XDBC
 Fig.8. LUB.OIL SYSTEM

0CW10-M05801 Fig.8



(A)=4TNV94L-XDBC
 (B)=
 (C)=

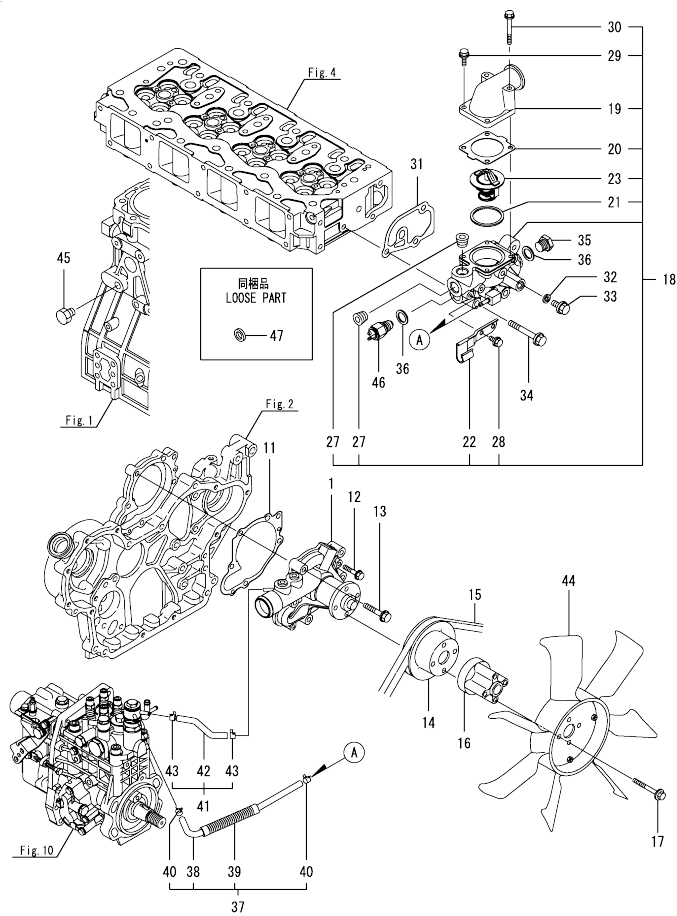
(D)=
 (E)=
 (F)=

No.	Lev.	Parts No.	Description	Q'ty						I	R
				(A)	(B)	(C)	(D)	(E)	(F)		
1	1	129900-34800	DIPSTICK	1							
2	1	121520-34810	GUIDE, DIPSTICK	1							
3	1	119000-35140	BOLT, STUD FILTER	1							
4	1	119005-35151	FILTER, D80X100	1							1
5	1	129900-32030	O-RING, P20	1							
6	1	129900-35000	PIPE ASSY, OIL INLET	1							
11	1	26106-080122	BOLT, M8X 12 PLATED	2							
12	1	114250-39450	SWITCH, HYDRAULIC	1							
13	1	129907-39061	PIPE ASSY, OIL	1							
15	2	123907-39500	RETAINER, PIPE	1							
17	1	129005-59830	BOLT ASSY, JOINT M8	2							
18	2	22190-080002	WASHER, SEAL 6	2							
19	2	23857-030000	BOLT, JOINT 3	2							
20	1	22190-080002	WASHER, SEAL 6	2							
21	1	26106-080122	BOLT, M8X 12 PLATED	1							
22	1	22190-080002	WASHER, SEAL 6	2							
23	1	26106-080122	BOLT, M8X 12 PLATED	2							

Remarks
 (1)Spare part.

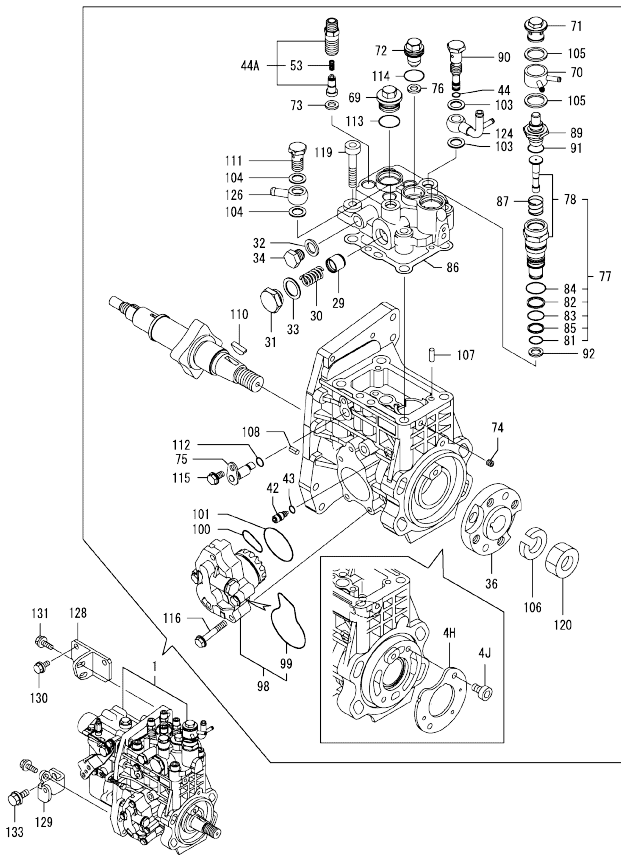
N:Old $\frac{100}{100}$ New, Q:Old $\frac{100}{100}$ New, R:Old $\frac{100}{100}$ New, S:Old $\frac{100}{100}$ New, W:Add, Z:Discontinued, F:Interchangeable by set, K:Q'ty Change
 Copyright (C) YANMAR GLOBAL CS CO., LTD. All Rights Reserved.

Fig.9. COOLING WATER SYSTEM



No.	Lev.	Parts No.	Description	Q'ty						I	R
				(A)	(B)	(C)	(D)	(E)	(F)		
1	1	129907-42000	PUMP ASSY, WATER	1							
1-1	1	129907-42001	PUMP ASSY, WATER	1							N
(A=EXXXXX)											
11	1	129900-42020	GASKET, WATER PUMP	1							
12	1	26106-060302	BOLT, M6X 30 PLATED	2							
13	1	26106-080552	BOLT, M8X 55 PLATED	5							
14	1	129916-42410	V-PULLEY, C.W.PUMP	1							
15	1	25153-004500	V-BELT, B45	1							
15-1	1	25153-004400	V-BELT, B44	1							N
(A=E63546)											
16	1	119117-44760	SPACER, FAN	1							
17	1	26106-080802	BOLT, M8X 80 PLATED	4							
18	1	129906-49810	CASE ASSY, THERMOSTAT	1							
19	2	129980-49530	COVER, THERMOSTAT	1							
20	2	121850-49540	GASKET, THERMOSTAT	1							
21	2	121850-49550	GASKET, THERMOSTAT	1							
22	2	129907-49730	RETAINER, PIPE	1							
23	2	121850-49800	THERMOSTAT, 82C	1							
23-1	2	121850-49801	THERMOSTAT, 82C	1							N
(A=E94322)											
27	2	129916-49740	PLUG, R3/8	2							
28	2	26106-060122	BOLT, M6X 12 PLATED	1							
29	2	26106-060202	BOLT, M6X 20 PLATED	2							
30	2	26106-060552	BOLT, M6X 55 PLATED	2							
31	1	129900-49870	GASKET, THERMOSTAT	1							
32	1	23414-080000	GASKET, 8X1.0	1							
33	1	26106-080122	BOLT, M8X 12 PLATED	1							
34	1	26106-080602	BOLT, M8X 60 PLATED	3							
35	1	121450-42450	PLUG, M16	1							
36	1	124465-44950	GASKET, 16	2							
37	1	129907-49610	HOSE ASSY, WATER	1							
38	2	129907-49710	HOSE, WATER	1							
39	2	129907-49750	TUBE, CORRUGATED	1							
40	2	124722-59050	CLAMP, HOSE 9	2							
41	1	129907-49620	HOSE ASSY, WATER	1							
42	2	129907-49720	HOSE, WATER	1							
43	2	124722-59050	CLAMP, HOSE 9	2							
44	1	129981-44740	FAN, COOLING D=450	1							
45	1	171056-49120	PLUG, DRAIN R1/4	1							
46	1	121250-44901	SWITCH, THERMO 110	1							
47	1	129150-49360	GASKET	1							Z
(A=E72695)											

Fig.10. FUEL INJECTION PUMP

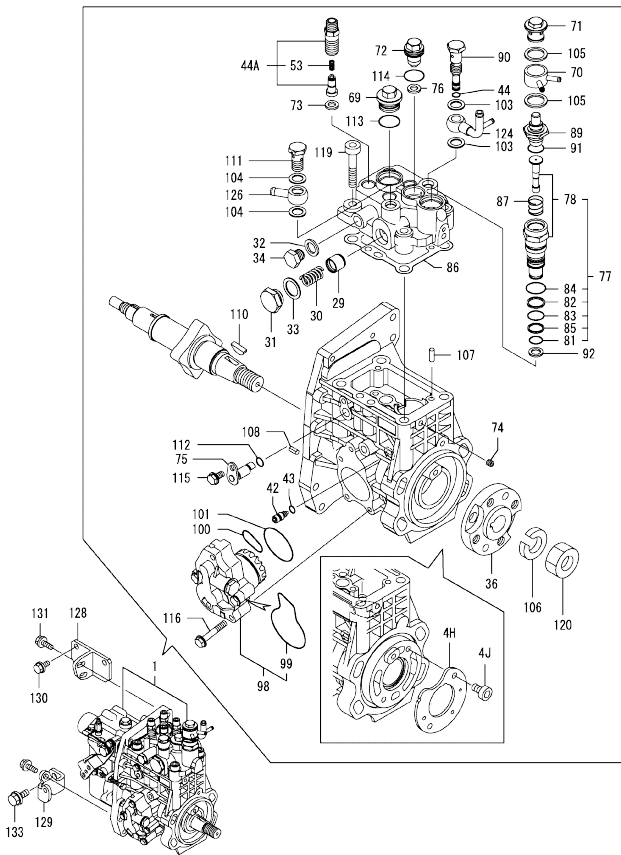


Remarks
 (1)Governor(Fig.11)is incorporated in this Fuel Injection Pump (Ref.1).

No.	Lev.	Parts No.	Description	Q'ty						I	R	
				(A)	(B)	(C)	(D)	(E)	(F)			
1	1	729906-51330	FIE ASSY	1							1	
1-1	1	729906-51331 (A=E24295)	FIE ASSY	1							N	1
1-2	1	729906-51332 (A=E39520)	FIE ASSY	1							N	1
4H	2	129928-51900	COVER	1							W	
4J	2	129008-51920 (A=E76634)	BOLT, SOCKET M6X10	2							W	
29	2	158601-51770	PISTON, ACCUMULATOR	1								
30	2	158552-51780	SPRING, ACCUMULATOR	1								
30-1	2	158552-51781 (A=E29414)	SPRING, ACCUMULATOR	1							N	
31	2	158601-51790	PLUG	1								
32	2	22190-120002	WASHER, SEAL 12	1								
33	2	22190-180002	WASHER, SEAL 18	1								
34	2	23887-120002	PLUG, 12	1								
34-1	2	158553-51930	PLUG, M12	1							R	
36	2	158563-51150 (A=E71634)	FLANGE	1								
42	2	158600-51270	STOPPER, TAPPET	1								
43	2	158563-51281	O-RING, 4D S6	1								
44	2	158563-51281	O-RING, 4D S6	1								
44A	2	129509-51390	VALVE ASSY, DELIVERY	4								
53	3	158563-51330	SPRING, DELIVERY	4								
69	2	158601-51550	PLUG, M22	1								
70	2	158553-51551	JOINT, COOLING WATER	1								
71	2	158601-51570	PLUG	1								
72	2	129907-51560	PLUG, M16	1								
73	2	158552-51570	GASKET, PLUG	4								
73-1	2	158552-51571 (A=E62673)	GASKET, PLUG	4							R	
74	2	158557-51570	PLUG, RACK	1								
75	2	158552-51580	LIFTER, LINK	1								
76	2	129906-51580	GASKET, PLUG	1								
77	2	119802-51590	TIMER ASSY	1								
78	3	119802-51600	TIMER ASSY	1								
81	3	158553-51670	O-RING	1								
82	3	119802-51680	RING, BACKUP	1								
83	3	119802-51690	O-RING	1								
84	3	24356-010200	O-RING, 4D1020	1								
84-1	3	24356-190200	O-RING, 4D19020	1							R	
85	3	24372-000150 (A=EXXXXX)	RING, BACK UP T2P15	1								
86	2	158560-51600	GASKET	1								
87	2	158553-51630	SPRING, TIMER	1								
89	2	158553-51640	THERMOELEMENT	1								
90	2	158601-51650	JOINT, OVER FLOW	1								
91	2	158553-51660	O-RING, P14	1								
92	2	158553-51680	GASKET, TIMER	1								
98	2	158552-52100	PUMP ASSY, FUEL FEED	1								

N:Old $\frac{New}{Old}$ New, Q:Old $\frac{New}{Old}$ New, R:Old $\frac{New}{Old}$ New, S:Old $\frac{New}{Old}$ New, W:Add, Z:Discontinued, F:Interchangeable by set, K:Q'ty Change
 ++ CONTINUE ++
 Copyright (C) YANMAR GLOBAL CS CO., LTD. All Rights Reserved.

Fig.10. FUEL INJECTION PUMP



(A)=4TNV94L-XDBC
(B)=
(C)=

(D)=
(E)=
(F)=

No.	Lev.	Parts No.	Description	Q'ty						I	R
				(A)	(B)	(C)	(D)	(E)	(F)		
99	3	158552-52500	O-RING	1							
100	2	158552-52310	O-RING	1							
100-1	2	158552-52311	O-RING	1							R
(A=E76982)											
101	2	158552-52400	O-RING, 4E S42	1							
103	2	22190-120002	WASHER, SEAL 12	2							
104	2	22190-120002	WASHER, SEAL 12	2							
105	2	22190-180002	WASHER, SEAL 18	2							
106	2	22217-180000	WASHER, SPRING 18	1							
107	2	22312-050140	PIN, PARALLEL M5X14	2							
108	2	22351-050010	PIN, SPRING 5.0X10	2							
110	2	144626-51090	FEATHER KEY, 5X19	1							
111	2	23857-060000	BOLT, JOINT 6	1							
112	2	24311-000070	O-RING, 1AP7.0	1							
113	2	24356-010200	O-RING, 4D1020	1							
113-1	2	24356-190200	O-RING, 4D19020	1							R
(A=EXXXXX)											
114	2	24356-020210	O-RING, 4D2021	1							
114-1	2	24356-240210	O-RING, 4D24021	1							R
(A=EXXXXX)											
115	2	26106-060102	BOLT, M6X 10 PLATED	1							
116	2	26106-060352	BOLT, M6X 35 PLATED	4							
119	2	26450-100452	BOLT, M10X 45	4							
120	2	26776-180002	NUT, LOCK M18	1							
124	2	158552-51670	JOINT, OVER FLOW	1							
126	2	129916-59020	JOINT, PIPE 12	1							
128	1	129907-01950	RETAINER, PUMP	1							
129	1	129907-01960	RETAINER, PUMP	1							
130	1	26106-080162	BOLT, M8X 16 PLATED	2							
131	1	26106-080222	BOLT, M8X 22 PLATED	2							
132	1	26106-080222	BOLT, M8X 22 PLATED	1							
133	1	26106-100202	BOLT, M10X 20 PLATED	1							

Remarks
(1)Governor(Fig.11)is incorporated in this Fuel Injection Pump (Ref.1).

N:Old $\frac{100}{100}$ New, Q:Old $\frac{100}{100}$ New, R:Old $\frac{100}{100}$ New, S:Old $\frac{100}{100}$ New, W:Add, Z:Discontinued, F:Interchangeable by set, K:Qty Change
Copyright (C) YANMAR GLOBAL CS CO., LTD. All Rights Reserved.

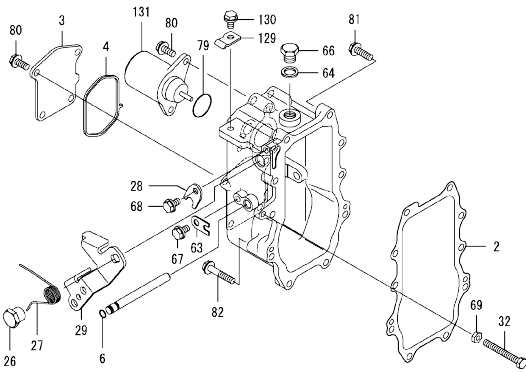
Fig.11. GOVERNOR

(A)=4TNV94L-XDBC
(B)=
(C)=

(D)=
(E)=
(F)=

Q'ty I R

No.	Lev.	Parts No.	Description	(A)	(B)	(C)	(D)	(E)	(F)	I	R
2	2	158560-61050	GASKET	1							
3	2	158560-61061	COVER, GOVERNOR CASE	1							
4	2	158560-61071	GASKET	1							
6	2	129155-51280	O-RING, S6	1							
26	2	129255-61410	NUT, M8	1							
27	2	123944-61420	SPRING, LEVER	1							
28	2	158560-61430	STOPPER, SHAFT	1							
29	2	158560-61441	LEVER, REGULATOR	1							
29-1	2	158560-61442	LEVER, REGULATOR	1							N
(A=E18749)											
32	2	129155-61460	BOLT, LIMITING	1							
63	2	119660-61901	STOPPER, SHAFT	1							
64	2	22190-160002	WASHER, SEAL 16	1							
66	2	23887-160002	PLUG, 16	1							
67	2	26106-060102	BOLT, M6X 10 PLATED	1							
68	2	26106-060102	BOLT, M6X 10 PLATED	1							
69	2	26756-060002	NUT, LOCK M6	1							
79	2	24341-000280	O-RING, 1AS28.0	1							
79-1	2	158552-61900	O-RING	1							N
(A=EXXXXXX)											
80	2	26106-060142	BOLT, M6X 14 PLATED	6							
81	2	26106-060252	BOLT, M6X 25 PLATED	8							
82	2	26106-060402	BOLT, M6X 40 PLATED	2							
129	2	123944-61430	RETAINER	1							
130	2	26106-060102	BOLT, M6X 10 PLATED	1							
131	2	119233-77932	SOLENOID, STOP	1							



Remarks
*This figure(Governor)is incorporated
in the Fuel Injection Pump (Fig.10).

Fig.12. FUEL INJECTION VALVE

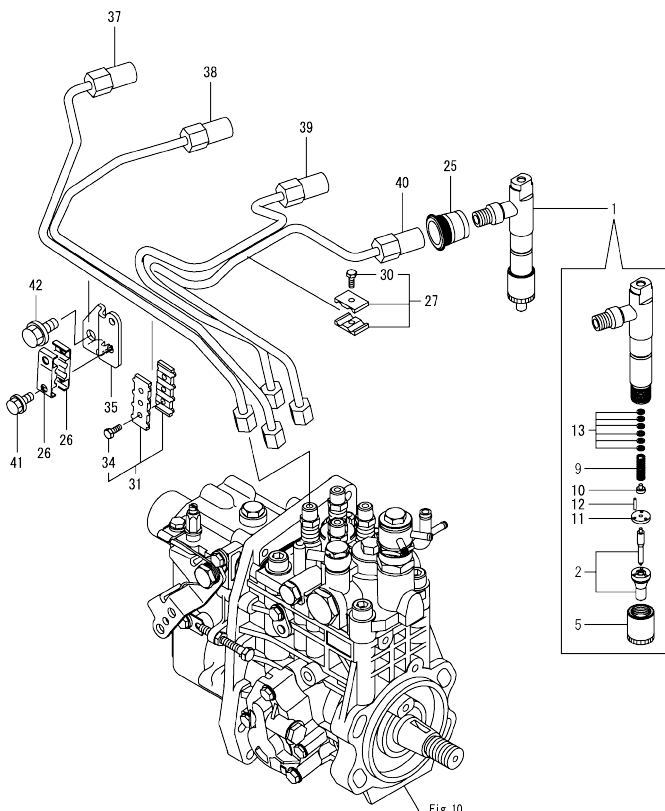


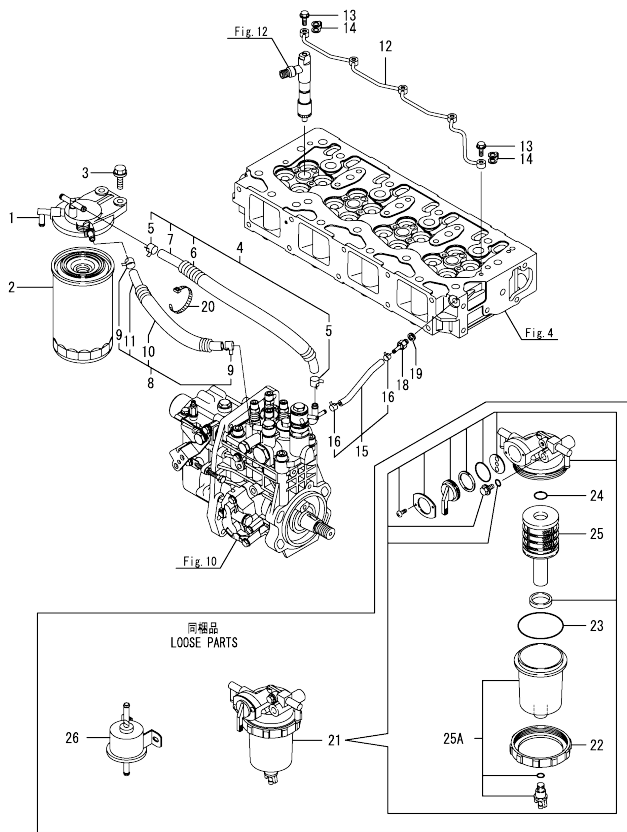
Fig. 10

(A)=4TNV94L-XDBC
(B)=
(C)=

(D)=
(E)=
(F)=

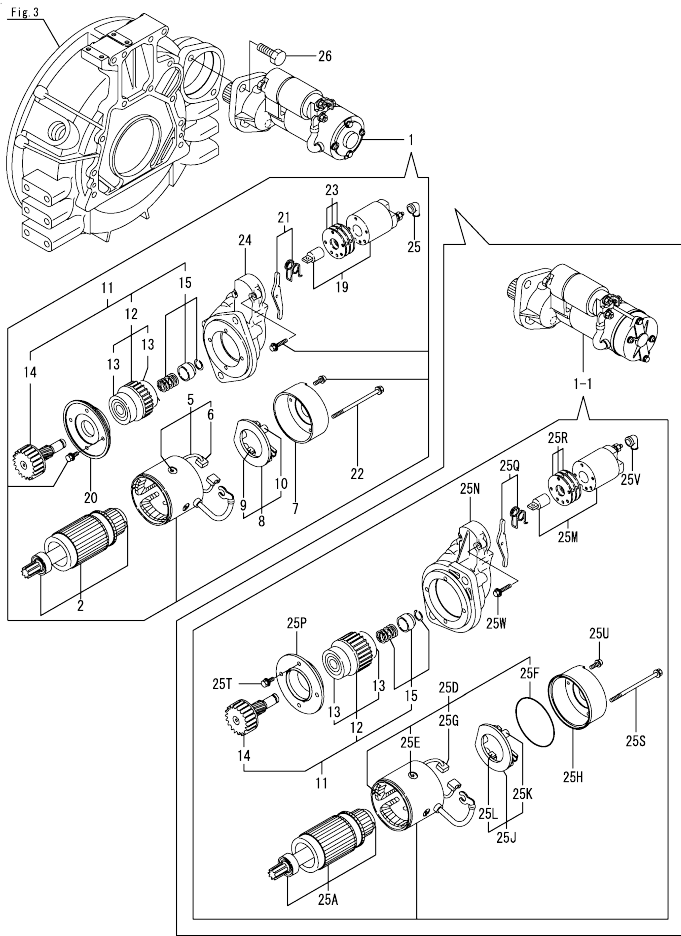
No.	Lev.	Parts No.	Description	Q'ty						I	R
				(A)	(B)	(C)	(D)	(E)	(F)		
1	1	729906-53100	FUEL INJECTOR ASSY	4							
2	2	129906-53000	NOZZLE ASSY, F.I.	4							
5	2	114250-53080	NUT, NOZZLE	4							
9	2	114250-53120	SPRING, NOZZLE	4							
10	2	114250-53130	SEAT, SPRING	4							
11	2	114250-53140	SPACER	4							
12	2	114250-53210	PIN	8							
13	2	114250-53400	SHIM SET	4							
13-1	2	119803-53400	SHIM SET	4							R
(A=E71152)											
25	1	123907-11601	SEAL, PIPE	4							
26	1	122780-59100	RETAINER	2							
27	1	119305-59120	RETAINER, PIPE	1							
30	2	129150-59131	BOLT, M4X14	1							
31	1	129550-59120	RETAINER, PIPE	1							
34	2	129150-59131	BOLT, M4X14	2							
35	1	129907-59710	SUPPORT	1							
37	1	129907-59810	PIPE ASSY, INJECTION	1							
38	1	129907-59820	PIPE ASSY, INJECTION	1							
39	1	129907-59830	PIPE ASSY, INJECTION	1							
40	1	129907-59840	PIPE ASSY, INJECTION	1							
41	1	26106-060162	BOLT, M6X 16 PLATED	2							
42	1	26106-080182	BOLT, M8X 18 PLATED	1							

Fig.13. FUEL LINE



No.	Lev.	Parts No.	Description	Qty						I	R
				(A)	(B)	(C)	(D)	(E)	(F)		
1	1	129004-55611	BRACKET, FILTER	1							
1-1	1	129004-55612	BRACKET, FILTER	1							R
(A=E24295)											
2	1	129907-55800	FILTER, FUEL	1							
2-1	1	129907-55801	FILTER, FUEL	1							R
(A=E24295)											
3	1	26106-080302	BOLT, M8X 30 PLATED	2							
4	1	129457-59010	HOSE ASSY, FUEL	1							
5	2	124766-59050	CLAMP, HOSE 11.5	2							
6	2	129957-59120	TUBE, CORRUGATED 15	1							
7	2	105025-59750	HOSE, FUEL	1							
8	1	129981-59010	HOSE ASSY, FUEL	1							
9	2	124766-59050	CLAMP, HOSE 11.5	2							
10	2	129950-59221	TUBE, CORRUGATED 15	1							
11	2	129980-59510	HOSE, FUEL	1							
12	1	129907-59140	PIPE ASSY, RETURN	1							
13	1	123907-59540	BOLT, PIPE JOINT M6	5							
14	1	123907-59550	GASKET	5							
15	1	129486-59551	HOSE ASSY, RETURN	1							
16	2	124722-59050	CLAMP, HOSE 9	2							
18	1	123907-59560	JOINT, HOSE	1							
19	1	22190-080002	WASHER, SEAL 6	1							
20	1	121750-59890	BAND, NYLON	1							
21	1	129906-55700	SEPARATOR ASSY, WATER	1							
21-1	1	129906-55711	SEPARATOR ASSY, WATER	1							N
(A=EXXXXX)											
22	2	129100-55690	RING, CUP RETAINING	1							
23	2	24321-000650	O-RING, 1AG65.0	1							
24	2	24311-000160	O-RING, 1AP16.0	1							
25	2	119802-55710	ELEMENT	1							
25A	2	119802-55730	CUP ASSY, SEPARATOR	1							
26	1	129612-52100	PUMP, FUEL FEED	1							

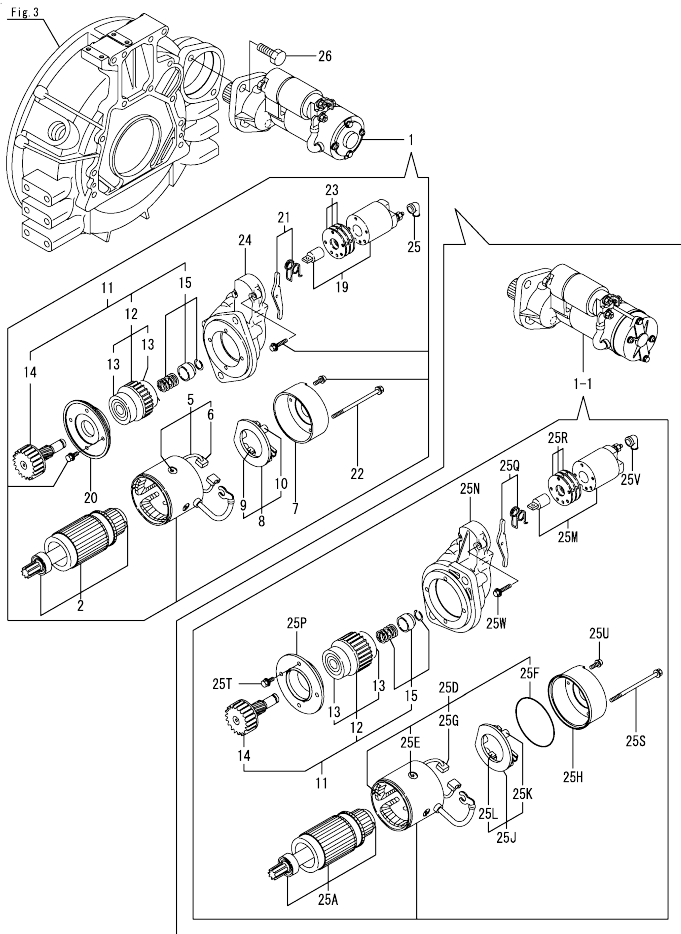
Fig.14. STARTING MOTOR



No.	Lev.	Parts No.	Description	Qty						I	R
				(A)	(B)	(C)	(D)	(E)	(F)		
1	1	123900-77010	STARTER ASSY	1							
1-1	1	129940-77010 (A=E31515)	STARTER ASSY	1							N
1-2	1	129940-77011 (A=E94322)	STARTER ASSY	1							N
2	2	123900-77400 (A=E31515)	ARMATURE ASSY	1							Z
5	2	123900-77440 (A=E31515)	COIL ASSY, FIELD	1							Z
6	3	123900-77450 (A=E31515)	BRUSH	2							Z
7	2	123900-77460 (A=E31515)	COVER	1							Z
8	2	123900-77480 (A=E31515)	HOLDER ASSY, BRUSH	1							Z
9	3	123900-77450 (A=E31515)	BRUSH	2							Z
10	3	121254-77590 (A=E31515)	SPRING, BRUSH	4							Z
11	2	123900-77510	PINION ASSY	1							Z
12	3	123900-77520	CLUTCH ASSY	1							Z
13	4	X2240610100	BEARING, BALL	2							Z
14	3	123900-77540	SHAFT, PINION	1							Z
15	3	119131-77550	STOPPER SET, PINION	1							Z
19	2	129900-77591 (A=E31515)	SWITCH ASSY, MAGNET	1							Z
20	2	123900-77610 (A=E31515)	RETAINER, BEARING	1							Z
21	2	129900-77620 (A=E31515)	LEVER SET	1							Z
22	2	123900-77640 (A=E31515)	BOLT, THROUGH	2							Z
23	2	123900-77650 (A=E31515)	COVER KIT, DUST	1							Z
24	2	123900-77710 (A=E31515)	CASE, GEAR	1							Z
25	2	171008-77750 (A=E31515)	COVER, TERMINAL	1							Z
25A	2	129940-77100 (A=E31515)	ARMATURE ASSY	1							W
25D	2	129940-77130 (A=E31515)	COIL ASSY, FIELD	1							W
25E	3	129940-77140 (A=E31515)	SCREW, CORE SET	4							W
25F	3	129940-77150 (A=E31515)	O-RING	1							W
25G	3	129940-77160 (A=E31515)	BRUSH	2							W
25H	2	129940-77170 (A=E31515)	COVER	1							W
25H-1	2	129940-77171	COVER	1							N

N:Old, New, Q:Old, R:Old, S:Old, W:Add, Z:Discontinued, F:Interchangeable by set, K:Qty Change
 ++ CONTINUE ++
 Copyright (C) YANMAR GLOBAL CS CO., LTD. All Rights Reserved.

Fig.14. STARTING MOTOR



(A)=4TNV94L-XDBC
(B)=
(C)=

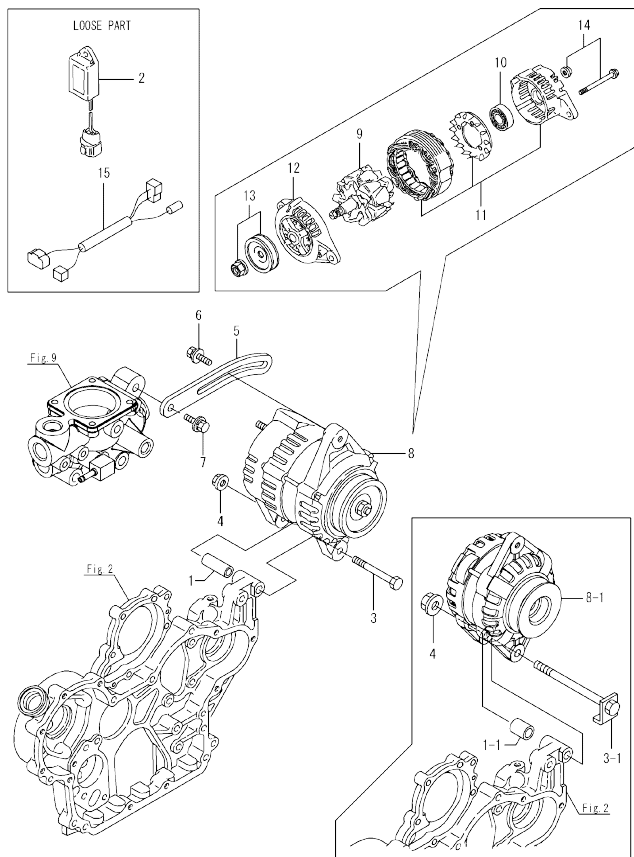
(D)=
(E)=
(F)=

No.	Lev.	Parts No.	Description	Q'ty						I	R
				(A)	(B)	(C)	(D)	(E)	(F)		
		(A=E94322)									
25J	2	129940-77180	HOLDER ASSY, BRUSH	1							W
		(A=E31515)									
25J-1	2	129940-77181	HOLDER ASSY, BRUSH	1							N
		(A=E94322)									
25K	3	129940-77190	SPRING, BRUSH	1							W
		(A=E31515)									
25L	3	129940-77200	BRUSH	2							W
		(A=E31515)									
25M	2	129940-77210	SWITCH ASSY, MAGNET	1							W
		(A=E31515)									
25N	2	129940-77220	CASE, GEAR	1							W
		(A=E31515)									
25N-1	2	129940-77221	CASE, GEAR	1							N
		(A=E94322)									
25P	2	129940-77230	RETAINER, BEARING	1							W
		(A=E31515)									
25Q	2	129940-77240	LEVER SET	1							W
		(A=E31515)									
25R	2	129940-77250	COVER KIT, DUST	1							W
		(A=E31515)									
25S	2	129940-77260	BOLT, THROUGH	2							W
		(A=E31515)									
25T	2	129940-77270	BOLT	4							W
		(A=E31515)									
25U	2	129940-77280	SCREW	2							W
		(A=E31515)									
25V	2	121254-77810	COVER, TERMINAL	1							W
		(A=E31515)									
25W	2	114371-79070	BOLT	2							W
		(A=E31515)									
26	1	26116-120252	BOLT, M12X 25 PLATED	2							
26-1	1	26106-120252	BOLT, M12X 25 PLATED	2							R

(A=EXXXXX)

OCW10-M05801 4TNV94L-XDBC
 Fig.15. GENERATOR

OCW10-M05801 Fig.15



(A)=4TNV94L-XDBC
 (B)=
 (C)=

(D)=
 (E)=
 (F)=

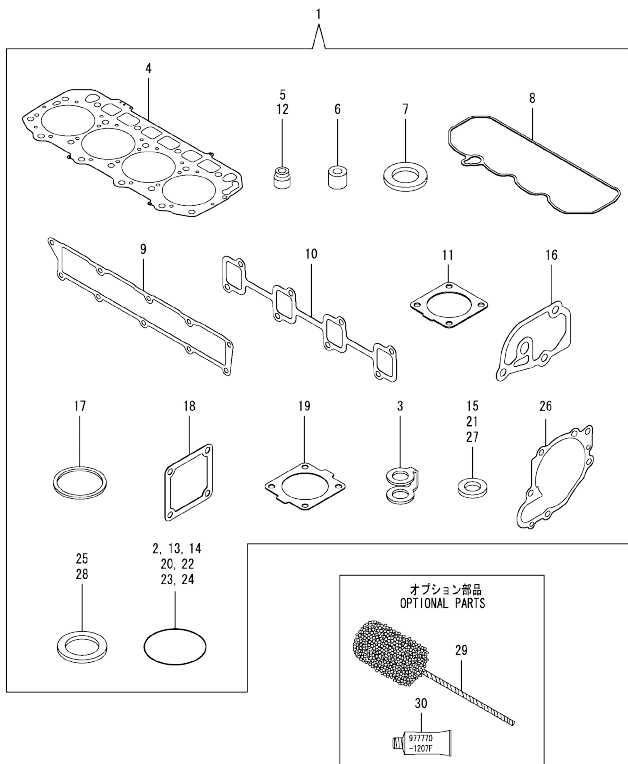
No.	Lev.	Parts No.	Description	Qty						I	R
				(A)	(B)	(C)	(D)	(E)	(F)		
1	1	129470-77340	PIECE, DISTANCE	1							
1-1	1	129908-77360 (A=ED9783)	PIECE, DISTANCE	1						F	1
2	1	129211-77920	TIMER	1							
3	1	26116-101202	BOLT, M10X120 PLATED	1							
3-1	1	129908-77220 (A=ED9783)	BOLT, STOPPER M10	1						F	1
4	1	26306-100002	NUT, M10	1							
5	1	129916-77300	ADJUSTER, BELT	1							
6	1	119810-77340	BOLT, ADJUST L=30	1							
7	1	26014-080252	BOLT, M8X 25	1							
8	1	123900-77210 (A=ED9783)	ALTERNATOR, 12V-60A	1							
8-1	1	129908-77210 (A=ED9783)	ALTERNATOR	1						F	1
9	2	123900-77700 (A=ED9783)	ROTOR ASSY	1							Z
10	2	129612-77710 (A=ED9783)	BEARING, BALL	1							Z
11	2	123900-77720 (A=ED9783)	BRACKET ASSY	1							Z
12	2	123900-77730 (A=ED9783)	BRACKET ASSY	1							Z
13	2	123900-77740 (A=ED9783)	PULLEY, GENERATOR	1							Z
14	2	123900-77750 (A=ED9783)	SCREW KIT	1							Z
15	1	129908-77940 (A=ED9783)	HARNESS	1						F	1

Remarks

(1)Interchangeable by simultaneous replacement with No.1-1, 3-1, 8-1, 15.

N:Old $\frac{100}{100}$ New, Q:Old $\frac{100}{100}$ New, R:Old $\frac{100}{100}$ New, S:Old $\frac{100}{100}$ New, W:Add, Z:Discontinued, F:Interchangeable by set, K:Qty Change
 Copyright (C) YANMAR GLOBAL CS CO., LTD. All Rights Reserved.

Fig.16. GASKET SET



(A)=4TNV94L-XDBC
(B)=
(C)=

(D)=
(E)=
(F)=

No.	Lev.	Parts No.	Description	Q'ty						I	R	
				(A)	(B)	(C)	(D)	(E)	(F)			
1	1	729906-92730	GASKET SET	1							1	
1-1	1	129906-92680	GASKET SET	1							N	1
(A=E76634)												
2	2	24351-030750	O-RING, 1A3075	1								
3	2	123907-59550	GASKET	5								
4	2	129906-01340	GASKET, HEAD	1								
4-1	2	129906-01350	GASKET, HEAD	1							N	
(A=E76634)												
5	2	124160-11340	SEAL, VALVE STEM	8								
6	2	119802-11870	PROTECTOR, NOZZLE	4								
7	2	119625-11880	SEAT, NOZZLE	4								
8	2	129907-11310	GASKET, BONNET	1								
9	2	129907-12110	GASKET, MANIFOLD	1								
10	2	129900-13251	GASKET, EXH.MANIFOLD	1								
11	2	129930-13201	GASKET, SILENCER	1								
12	2	124950-11340	SEAL, VALVE STEM	8								
13	2	129900-32030	O-RING, P20	2								
14	2	129900-32040	O-RING, P14	1								
15	2	124465-44950	GASKET, 16	2								
16	2	129900-49870	GASKET, THERMOSTAT	1								
17	2	121850-49550	GASKET, THERMOSTAT	1								
18	2	121850-77021	GASKET, AIR HEATER	1								
19	2	121850-49540	GASKET, THERMOSTAT	1								
20	2	24341-000530	O-RING, 1AS53.0	1								
21	2	23414-080000	GASKET, 8X1.0	1								
22	2	24311-000070	O-RING, 1AP7.0	1								
23	2	24311-000120	O-RING, 1AP12.0	8								
24	2	24311-000320	O-RING, 1AP32.0	3								
25	2	22190-080002	WASHER, SEAL 6	7								
26	2	129900-42020	GASKET, WATER PUMP	1								
27	2	129150-49360	GASKET	1							Z	
(A=E72695)												
28	2	22190-220002	WASHER, SEAL 22	1								
29	1	129400-92440	HONE, FLEX	1								1
30	1	977770-1207F	GASKET, LIQUID	1								1

Remarks

(1)Optional parts.

Parts No. Index

Parts No.	Fig. No.	Ref. No.	Parts No.	Fig. No.	Ref. No.	Parts No.	Fig. No.	Ref. No.	Parts No.	Fig. No.	Ref. No.
105025-59750	13	7	121850-49800	9	23	124240-01883	2	44	129900-02410	1	10
114250-39450	8	12	121850-49801	9	23 -1	124465-44950	9	36	129900-02930	1	28
114250-53080	12	5	121850-77021	5	13		16	15	129900-02931	1	28 -1
114250-53120	12	9		16	18	124722-59050	9	40	129900-02940	1	37
114250-53130	12	10	122780-59100	12	26			43	129900-02941	1	37 -1
114250-53140	12	11	123900-13610	5	9		13	16	129900-07900	4	1
114250-53210	12	12	123900-13630	5	10	124766-59050	13	5	129900-13200	5	6
114250-53400	12	13	123900-25060	6	10			9	129900-13251	5	8
114371-79070	14	25 W	123900-77010	14	1	124950-11340	4	19		16	10
119000-35140	8	3	123900-77210	15	8		16	12	129900-14100	6	7
119005-12060	5	17	123900-77400	14	2	129001-91810	2	24	129900-21200	7	4
119005-35151	8	4	123900-77440	14	5		25	25	129900-21600	7	15
119117-44760	9	16	123900-77450	14	6	129004-55611	13	1	129900-23001	7	25
119131-18320	5	11			9	129004-55612	13	1 -1	129900-23200	7	30
119131-77550	14	15	123900-77460	14	7	129005-59830	8	17	129900-23600	7	31
119233-77932	11	131	123900-77480	14	8	129008-51920	10	4 J	129900-23601	7	31 -1
119305-59120	12	27	123900-77510	14	11	129100-01580	2	5	129900-23610	7	33
119593-11301	4	28	123900-77520	14	12		3	1	129900-23611	7	33 -1
119620-01750	3	13	123900-77540	14	14	129100-55690	13	22	129900-23911	7	41
119620-11180	4	17	123900-77610	14	20	129150-02450	6	4	129900-25100	6	11
119625-11880	4	26	123900-77640	14	22	129150-11230	4	36	129900-32001	2	11
	16	7	123900-77650	14	23		40	40	129900-32030	2	22
119640-01640	3	9	123900-77700	15	9	129150-11750	4	22		8	5
119640-61400	4	61	123900-77710	14	24			37		16	13
119660-61901	11	63	123900-77720	15	11			41	129900-32040	2	23
119802-11870	4	69	123900-77730	15	12	129150-14200	6	1		16	14
	16	6	123900-77740	15	13	129150-25920	6	18	129900-34800	8	1
119802-51590	10	77	123900-77750	15	14	129150-49360	9	47	129900-35000	8	6
119802-51600	10	78	123907-03100	4	54		16	27	129900-42020	9	11
119802-51680	10	82	123907-03110	4	55	129150-59131	12	30		16	26
119802-51690	10	83	123907-03120	4	56			34	129900-49870	9	31
119802-55710	13	25	123907-03140	4	57	129155-51280	11	6		16	16
119802-55730	13	25 A	123907-11280	4	33	129155-61460	11	32	129900-77591	14	19
119803-11340	4	19 -1	123907-11550	4	3	129211-77920	15	2	129900-77620	14	21
119803-53400	12	13 -1	123907-11601	12	25	129255-61410	11	26	129902-21000	7	1
119810-77340	15	6	123907-11820	4	10	129400-92440	16	29	129906-01340	1	32
120130-22301	7	23	123907-11830	4	23	129457-59010	13	4		16	4
121250-44901	9	46	123907-39500	8	15	129470-77340	15	1	129906-01350	1	32 -2
121254-77590	14	10	123907-59540	13	13	129486-59551	13	15		16	4 -1
121254-77810	14	25 V	123907-59550	13	14	129509-51390	10	44 A	129906-22050	7	19
121450-42450	9	35		16	3	129550-59120	12	31	129906-22080	7	17
121520-34810	8	2	123907-59560	13	18	129612-52100	13	26	129906-22090	7	17 -1
121750-59890	13	20	123944-61420	11	27	129612-77710	15	10	129906-22900	7	35 -1
121850-21130	7	11	123944-61430	11	129	129900-01200	1	31	129906-22910	7	35 -2
121850-21290	7	5	124160-01751	2	35	129900-01250	1	5	129906-49810	9	18
121850-21920	7	6		4	49	129900-01850	2	39	129906-51580	10	76
121850-49540	9	20	124160-11340	4	18	129900-01870	2	40	129906-53000	12	2
	16	19		16	5	129900-02020	1	7	129906-55700	13	21
121850-49550	9	21	124160-11360	4	64	129900-02340	1	34	129906-55711	13	21 -1
	16	17	124240-01871	2	43	129900-02341	1	34 -1	129906-92680	16	1 -1

Parts No. Index

Parts No.	Fig. No.	Ref. No.
129907-01190	1	33
129907-01331	1	32 -1
129907-01500	2	8
129907-01950	10	128
129907-01960	10	129
129907-03011	4	51
129907-03061	4	52
129907-03070	4	53
129907-11100	4	14
129907-11110	4	15
129907-11120	4	16
129907-11250	4	30
129907-11260	4	31
129907-11270	4	32
129907-11310	4	60
	16	8
129907-11320	4	50
129907-11321	4	50 -1
129907-11341	4	29
129907-11510	4	20
129907-11650	4	34
129907-11660	4	38
129907-11700	4	4
129907-11800	4	76
129907-11910	4	67
129907-11920	4	42
129907-11950	4	47
129907-12100	5	1
129907-12110	5	3
	16	9
129907-14400	6	2
129907-14581	6	3
129907-25900	6	17
129907-39061	8	13
129907-42000	9	1
129907-42001	9	1 -1
129907-49610	9	37
129907-49620	9	41
129907-49710	9	38
129907-49720	9	42
129907-49730	9	22
129907-49750	9	39
129907-51560	10	72
129907-55800	13	2
129907-55801	13	2 -1
129907-59140	13	12
129907-59710	12	35
129907-59810	12	37
129907-59820	12	38
129907-59830	12	39

Parts No.	Fig. No.	Ref. No.
129907-59840	12	40
129908-14581	6	3 -1
129908-77210	15	8 -1
129908-77220	15	3 -1
129908-77360	15	1 -1
129908-77940	15	15
129915-77050	5	14
129915-77051	5	14 -1
129916-01790	3	7
129916-01800	2	4
129916-21590	7	12
129916-21610	7	10
129916-21620	7	9
129916-22950	7	37 -1
129916-42410	9	14
129916-49740	9	27
129916-59020	10	126
129916-77300	15	5
129927-42140	2	23 A
129928-51900	10	4 H
129930-13201	5	16
	16	11
129933-11310	4	60 -1
129940-77010	14	1 -1
129940-77011	14	1 -2
129940-77100	14	25 A
129940-77130	14	25 D
129940-77140	14	25 E
129940-77150	14	25 F
129940-77160	14	25 G
129940-77170	14	25 H
129940-77171	14	25 H-1
129940-77180	14	25 J
129940-77181	14	25 J-1
129940-77190	14	25 K
129940-77200	14	25 L
129940-77210	14	25 M
129940-77220	14	25 N
129940-77221	14	25 N-1
129940-77230	14	25 P
129940-77240	14	25 Q
129940-77250	14	25 R
129940-77260	14	25 S
129940-77270	14	25 T
129940-77280	14	25 U
129950-59221	13	10
129951-01740	2	6
129953-01710	3	8
129953-25300	6	16
129957-59120	13	6

Parts No.	Fig. No.	Ref. No.
129960-21640	7	8
129980-49530	9	19
129980-59510	13	11
129981-01600	3	2
129981-44740	9	44
129981-59010	13	8
129C26-01890	2	44 -1
144626-51090	10	110
158552-51570	10	73
158552-51571	10	73 -1
158552-51580	10	75
158552-51670	10	124
158552-51780	10	30
158552-51781	10	30 -1
158552-52100	10	98
158552-52310	10	100
158552-52311	10	100 -1
158552-52400	10	101
158552-52500	10	99
158552-61900	11	79 -1
158553-51551	10	70
158553-51630	10	87
158553-51640	10	89
158553-51660	10	91
158553-51670	10	81
158553-51680	10	92
158553-51930	10	34 -1
158557-51570	10	74
158560-51600	10	86
158560-61050	11	2
158560-61061	11	3
158560-61071	11	4
158560-61430	11	28
158560-61441	11	29
158560-61442	11	29 -1
158563-51150	10	36
158563-51281	10	43
		44
158563-51330	10	53
158600-51270	10	42
158601-51550	10	69
158601-51570	10	71
158601-51650	10	90
158601-51770	10	29
158601-51790	10	31
171008-77750	14	25
171031-11741	2	41
		46
171051-01921	1	6
171056-49120	9	45

Parts No.	Fig. No.	Ref. No.
22190-080002	8	18
		20
		22
		13
		16
		25
22190-120002	10	32
		103
		104
22190-160002	11	64
22190-180002	10	33
		105
22190-220002	3	11
	16	28
22217-180000	10	106
22252-000300	7	24
22312-050140	10	107
22351-050010	10	108
22351-060012	1	11
22512-070140	6	8
	7	7
22857-500100	4	62
		63
23414-080000	9	32
	16	21
23857-030000	8	19
23857-060000	10	111
23876-020000	4	11
23876-030000	1	12
		13
		14
	4	12
23887-120002	10	34
23887-160002	11	66
24311-000070	2	26
	10	112
	16	22
24311-000120	4	27
		65
	16	23
24311-000160	13	24
24311-000320	2	38
		42
		47
	4	66
	16	24
24321-000650	13	23
24341-000280	11	79
24341-000530	7	16
	16	20
24351-030750	2	27

Parts No. Index

Parts No.	Fig. No.	Ref. No.
24351-030750	16	2
24356-010200	10	84
		113
24356-020210	10	114
24356-190200	10	84 -1
		113 -1
24356-240210	10	114 -1
24372-000150	10	85
25153-004400	9	15 -1
25153-004500	9	15
26014-080252	15	7
26106-060102	10	115
	11	67
		68
		130
26106-060122	9	28
26106-060142	11	80
26106-060162	12	41
26106-060202	9	29
26106-060252	11	81
26106-060302	9	12
26106-060352	10	116
26106-060402	11	82
26106-060552	9	30
26106-080122	3	12
	8	11
		21
		23
	9	33
26106-080162	2	28
		29
		36
		45
	4	2
	6	9
	10	130
26106-080182	12	42
26106-080202	2	28 -1
		30
26106-080222	10	131
		132
26106-080302	13	3
26106-080352	5	15
26106-080402	2	31
		32
	4	44
26106-080452	2	32 -1
		33
26106-080552	5	4
	6	15

Parts No.	Fig. No.	Ref. No.
26106-080552	9	13
26106-080602	4	45
		46
	9	34
26106-080702	2	24 -1
		25 -1
26106-080752	2	25 -2
26106-080802	9	17
26106-080852	5	5
26106-100202	10	133
26106-120252	14	26 -1
26116-101202	15	3
26116-120252	14	26
26206-100352	3	5
26206-100702	3	6
26216-100302	2	10
26226-080222	4	43
26306-080002	4	48
	5	12
26306-100002	2	34
	15	4
26450-100452	10	119
26756-060002	11	69
26776-180002	10	120
27241-300000	1	15
27241-400000	4	13
27310-070001	4	24
729900-02800	1	40
729900-02801	1	40 -1
729906-01560	1	1
729906-01561	1	1 -1
729906-22900	7	35
729906-22950	7	37
729906-51330	10	1
729906-51331	10	1 -1
729906-51332	10	1 -2
729906-53100	12	1
729906-92730	16	1
729907-01559	2	1
977770-1207F	16	30
X2240610100	14	13

Parts No.	Fig. No.	Ref. No.
-----------	----------	----------

Parts No.	Fig. No.	Ref. No.
-----------	----------	----------