

0CW10-M07300EN

PREFACE

1. This Parts Catalog carries all parts incorporated in YANMAR Model 4TNV94L-XHYBC engine manufactured since November, 2005.
2. Each illustration corresponds to the parts list on the following page.
3. When ordering parts, clearly write down the engine model and serial number, as well as the name and number of each part in your order sheet. This will help insure reliable delivery of the parts you have ordered.

Directions for the Parts Catalog.

1. This Parts Catalog shows both standard and optional parts.
2. Parts may change without prior notice.
3. The following is an example of the Parts Catalog format.

REF.	LEV.	PARTS NO.	DESCRIPTION	Q'TY						I	R
				(A)	(B)	(C)	(D)	(E)	(F)		
1	1	729595-51390	FUEL INJECTION PUMP	1	1	1	1	1			1
1-1	1	729595-51391	FUEL INJECTION PUMP	1	1	1	1	1		N	1
		(A=E00185) (B=E00200)									
3	2	26022-060162	SCREW M 6X 16	9	9	9	9	9			
3-1	2	26022-060162	SCREW M 6X 16	4	4	4	4	4		K	
		(A=E00156) (B=E00156) (C=E00156) (D=E00156) (E=E00156)									
4	2	129470-51040	CAMSHAFT	1	1	1	1	1			
5	2	122710-51050	BEARING, ROLLER	2	2	2	2	2			
6	2	129470-51060	RETAINER	1	1	1	1	1			

Remarks
(1) BOOST COMPEMSATOR TYPE. OPTIONAL PART, TO E00155,(4JH-DT, 4JH-DTZ

① Ref. No.

The Ref. No. listed may not be in accordance with the illustration Ref. No.

(Ex.) Illustration No. List Ref No.

1 1 (Before change) → 1-1 (After change)

For interchangeable symbols N, R and K, illustrations for new parts may be abbreviated.

② Lev. (Level)

Level indication

The numbers below indicate the level of relativity towards the main part.

1 ---- Main parts (Assembly parts)

2 ---- Sub component included in " 1 ".

3 ---- Sub component included in " 2 ".

Note) Parts that are not for sale are partially illustrated but not listed.

③ Interchangeability Symbol

When a part change takes place, one of the following interchangeability symbols is indicated beside the part.

Symbol	Interchangeability	Contents note
N	Old $\begin{matrix} \leftarrow \text{Yes} \\ \text{No} \rightarrow \end{matrix}$ New	New Part is interchangeable for Old Part but Old Part is not interchangeable for New Part.
Q	Old $\begin{matrix} \leftarrow \text{No} \\ \text{Yes} \rightarrow \end{matrix}$ New	New Part is not interchangeable for Old Part but Old Part is interchangeable for New Part.
R	Old $\begin{matrix} \leftarrow \text{Yes} \\ \text{Yes} \rightarrow \end{matrix}$ New	New/ Old Parts are both interchangeable.
S	Old $\begin{matrix} \leftarrow \text{No} \\ \text{No} \rightarrow \end{matrix}$ New	New/ Old Parts are both not interchangeable.
W		Part newly added.
Z		Part discontinued.
F		Not interchangeable by a single part but interchangeable together with related parts.
K		Changes only for used parts quantities.

④ Effective Machine No.

When a part changes, the effective Machine No. will be indicated in the (A)-(F) column.

Product Symbol	Product No.	Product Symbol	Product No.
C	Clutch No. Compressor No.	F	Machine No. (Agricultural Equip.)
D	Drive No.	M	Machine No.
E	Engine No.		

Note 1) A date may follow the symbol. (Ex.) 1996.01

Note 2) "XXXXX" and "ZZZZZ" are for parts that could not be predicted or for engine models that could not be identified.

Note 3) (A=E00185) is the E (Engine Serial Number) for the column (A) model (in this case 4JH-DT) after the parts design change.

⑤ Remarks

Figures or alphabets (symbols) are entered in the remarks column.

The comments (remarks) on parts that are indicated at the bottom of the illustration are the same symbols as those stated above.

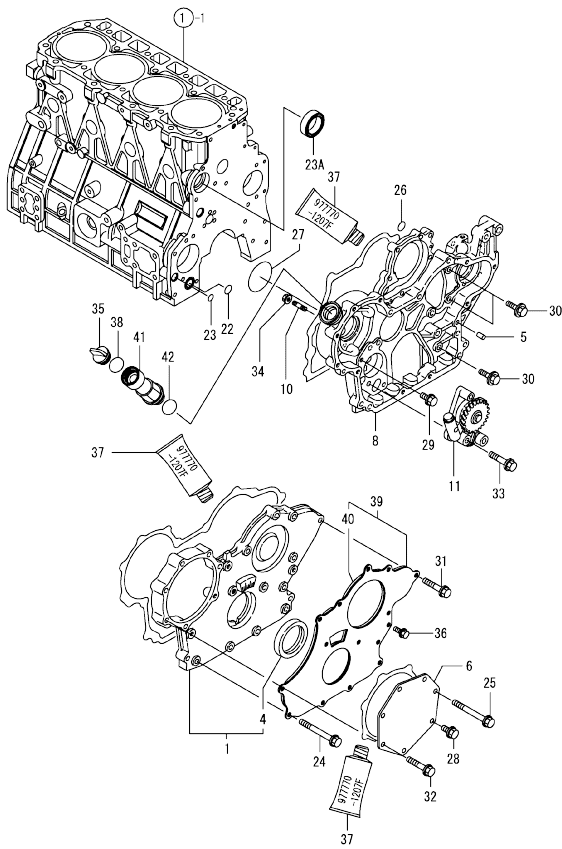
Contents

0CW10-M07300

Fig. No.	Fig. Name	Fig. No.	Fig. Name
4TNV94L-XHYBC			
1.	CYLINDER BLOCK		
2.	GEAR HOUSING		
3.	FLYWHEEL HOUSING & OIL SUMP		
4.	CYLINDER HEAD & BONNET		
5.	SUCTION & EXHAUST MANIFOLD		
6.	CAMSHAFT & DRIVING GEAR		
7.	CRANKSHAFT & PISTON		
8.	LUB. OIL SYSTEM		
9.	COOLING WATER SYSTEM		
10.	FUEL INJECTION PUMP		
11.	GOVERNOR		
12.	FUEL INJECTION VALVE		
13.	FUEL LINE		
14.	STARTING MOTOR		
15.	GENERATOR		
16.	GASKET SET		

0CW10-M07300 4TNV94L-XHYBC
 Fig.2. GEAR HOUSING

0CW10-M07300 Fig.2



(A)=4TNV94L-XHYBC
 (B)=
 (C)=

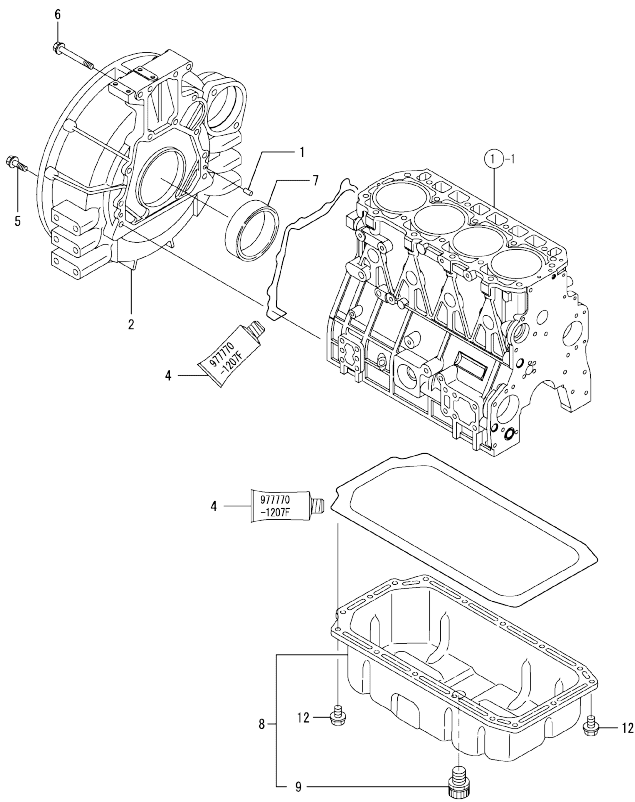
(D)=
 (E)=
 (F)=

No.	Lev.	Parts No.	Description	Qty						I	R
				(A)	(B)	(C)	(D)	(E)	(F)		
1	1	729907-01559	COVER ASSY,GEAR CASE	1							
4	2	129916-01800	SEAL, OIL	1							
5	1	129100-01580	PIN, PARALLEL 8X16	4							
6	1	129951-01740	COVER	1							
8	1	129944-01500	CASE, GEAR	1							
10	1	26216-100302	STUD, M10X 30	4							
11	1	129900-32001	PUMP ASSY, OIL	1							
22	1	129900-32030	O-RING, P20	1							
23	1	129900-32040	O-RING, P14	1							
23A	1	129927-42140	GASKET, PUMP OUTLET	1							W
(A=EF9768)											
24	1	129001-91810	BOLT, M8X70	6							
25	1	129001-91810	BOLT, M8X70	1							
26	1	24311-000070	O-RING, 1AP7.0	1							
27	1	24351-030750	O-RING, 1A3075	1							
28	1	26106-080162	BOLT, M8X 16 PLATED	1							
29	1	26106-080162	BOLT, M8X 16 PLATED	1							
30	1	26106-080202	BOLT, M8X 20 PLATED	3							
31	1	26106-080402	BOLT, M8X 40 PLATED	5							
32	1	26106-080402	BOLT, M8X 40 PLATED	5							
33	1	26106-080452	BOLT, M8X 45 PLATED	3							
34	1	26306-100002	NUT, M10	4							
35	1	124160-01751	CAP, FILLER	1							
36	1	26106-080162	BOLT, M8X 16 PLATED	3							
37	1	977770-1207F	GASKET LIQUID	1							1
38	1	24311-000320	O-RING, 1AP32.0	1							
39	1	129900-01850	COVER ASSY,GEAR CASE	1							
40	2	129900-01870	SPONGE, GEAR CASE	1							
41	1	171031-11741	PIPE	1							
42	1	24311-000320	O-RING, 1AP32.0	1							

Remarks
 (1) OPTIONAL PART.

N:Old $\frac{New}{Old}$ New, Q:Old $\frac{New}{Old}$ New, R:Old $\frac{New}{Old}$ New, S:Old $\frac{New}{Old}$ New, W:Add, Z:Discontinued, F:Interchangeable by set, K:Qty Change
 Copyright (C) YANMAR GLOBAL CS CO., LTD. All Rights Reserved.

Fig.3. FLYWHEEL HOUSING & OIL SUMP



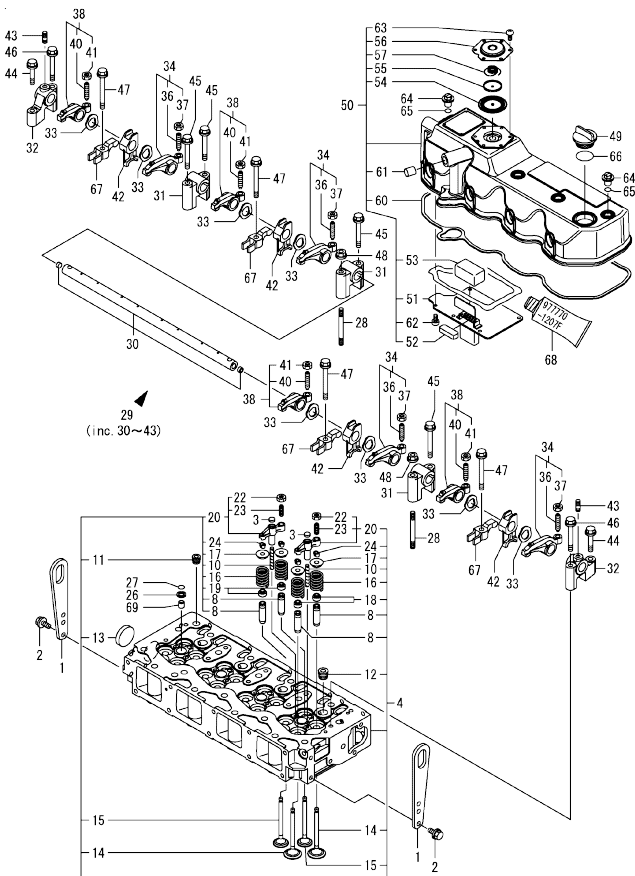
(A)=4TNV94L-XHYBC
(B)=
(C)=

(D)=
(E)=
(F)=

No.	Lev.	Parts No.	Description	Q'ty						I	R
				(A)	(B)	(C)	(D)	(E)	(F)		
1	1	129100-01580	PIN, PARALLEL 8X16		2						
2	1	129981-01600	HOUSING, FLYWHEEL	1							
4	1	977770-1207F	GASKET,LIQUID	1							1
5	1	26206-100352	BOLT, M10X 35 PLATED		9						
6	1	26206-100702	BOLT, M10X 70 PLATED		4						
7	1	129916-01790	SEAL, D115/95XT11		1						
8	1	129906-01720	OIL PAN ASSY	1							
9	2	129906-01640	COCK, DRAIN		1						
12	1	26106-080122	BOLT, M8X 12 PLATED	16							

Remarks
(1) OPTIONAL PART.

Fig.4. CYLINDER HEAD & BONNET



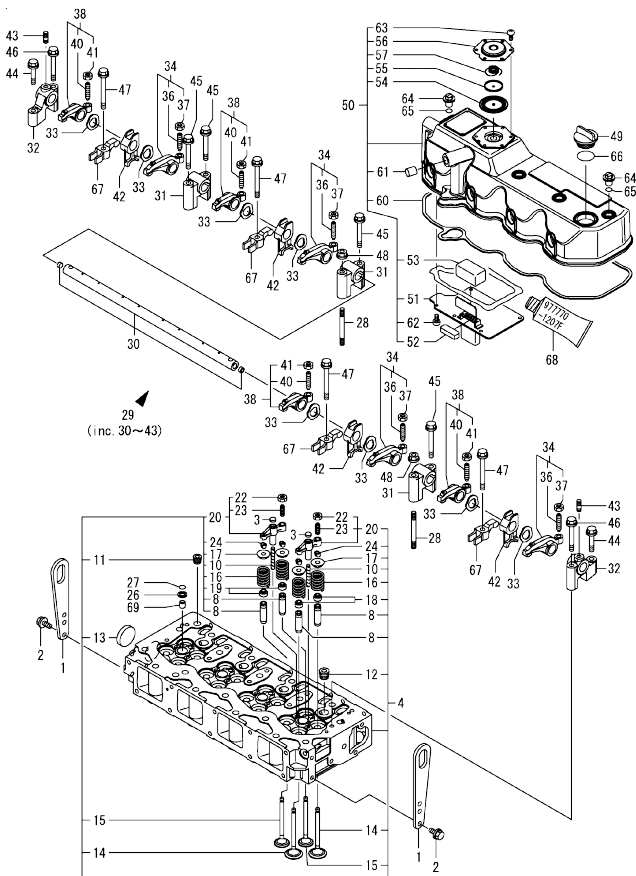
(A)=4TNV94L-XHYBC
(B)=
(C)=

(D)=
(E)=
(F)=

No.	Lev.	Parts No.	Description	Q'ty						I	R
				(A)	(B)	(C)	(D)	(E)	(F)		
1	1	129900-07900	LIFTER, ENGINE	2							
2	1	26106-080162	BOLT, M8X 16 PLATED	4							
3	1	123907-11550	SEAT, VALVE BRIDGE	8							
4	1	129907-11700	HEAD ASSY, CYLINDER	1							2
8	2	129907-11800	GUIDE, VALVE	16							
10	2	123907-11820	GUIDE, BRIDGE	8							
11	2	23876-020000	PLUG, R02	1							
12	2	23876-030000	PLUG, R03	4							
13	2	27241-400000	PLUG, 40	1							
14	2	129907-11100	VALVE, SUCTION	8							
15	2	129907-11110	VALVE, EXHAUST	8							
16	2	129907-11120	SPRING, VALVE	16							
17	2	119620-11180	RETAINER, SPRING	16							
18	2	124160-11340	SEAL, VALVE STEM	8							
19	2	124950-11340	SEAL, VALVE STEM	8							
20	2	129907-11510	BRIDGE ASSY, VALVE	8							
22	3	129150-11750	NUT, M8	8							
23	3	123907-11830	ADJUSTER	8							
24	2	27310-070001	COTTER, 7	16							
26	1	119625-11880	SEAT, NOZZLE	4							
27	1	24311-000120	O-RING, 1AP12.0	4							
28	1	119593-11301	BOLT, STUD M8X80	2							
29	1	129907-11341	SHAFT ASSY, ROCKER	1							
30	2	129907-11250	SHAFT, ROCKER ARM	1							
31	2	129907-11260	SUPPORT, ROCKER ARM	3							
32	2	129907-11270	SUPPORT, ROCKER ARM	2							
33	2	123907-11280	WASHER	8							
34	2	129907-11650	ARM ASSY, ROCKER	4							
36	3	129150-11230	SCREW, VALVE ADJUST	4							
37	3	129150-11750	NUT, M8	4							
38	2	129907-11660	ARM ASSY, ROCKER	4							
40	3	129150-11230	SCREW, VALVE ADJUST	4							
41	3	129150-11750	NUT, M8	4							
42	2	129907-11920	RETAINER, NOZZLE	4							
43	2	26226-080222	STUD, M8X 22	2							
44	1	26106-080402	BOLT, M8X 40 PLATED	2							
45	1	26106-080602	BOLT, M8X 60 PLATED	4							
46	1	26106-080602	BOLT, M8X 60 PLATED	2							
47	1	129907-11950	BOLT, M8X75	4							
48	1	26306-080002	NUT, M8	2							
49	1	124160-01751	CAP, FILLER	1							
50	1	129907-11320	BONNET ASSY, HEAD	1							
51	2	129907-03011	PLATE, BAFFLE	1							
52	2	129907-03061	BAFFLE, BREATHER	1							
53	2	129907-03070	BAFFLE, BREATHER	1							
54	2	123907-03100	DIAPHRAGM	1							
55	2	123907-03110	PLATE	1							
56	2	123907-03120	PLATE, BREATHER	1							
57	2	123907-03140	SPRING, DIAPHRAGM	1							
60	2	129907-11310	GASKET, BONNET	1							
61	2	119640-61400	PLUG	1							

Remarks
(1) OPTIONAL PART.
(2) REPAIR PART.

Fig.4. CYLINDER HEAD & BONNET



(A)=4TNV94L-XHYBC
(B)=
(C)=

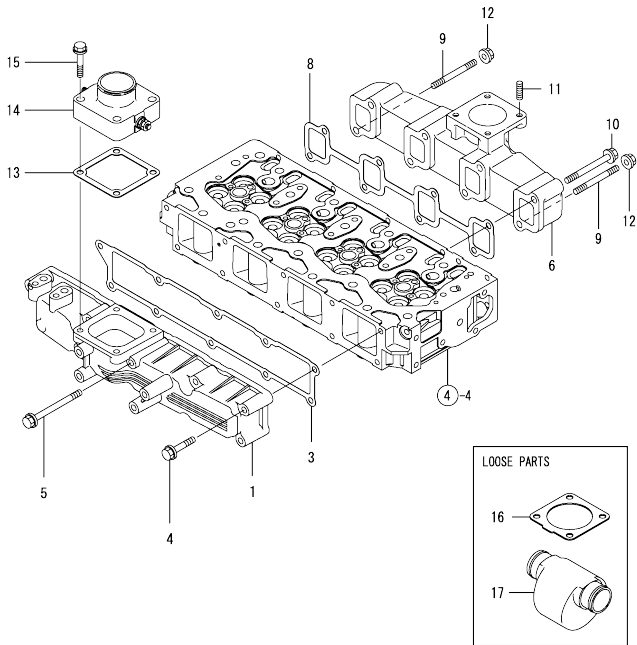
(D)=
(E)=
(F)=

No.	Lev.	Parts No.	Description	Q'ty						I	R
				(A)	(B)	(C)	(D)	(E)	(F)		
62	2	22857-500100	SCREW, 5X10	6							
63	2	22857-500100	SCREW, 5X10	6							
64	1	124160-11360	KNOB	4							
65	1	24311-000120	O-RING, 1AP12.0	4							
66	1	24311-000320	O-RING, 1AP32.0	1							
67	1	129907-11910	RETAINER, NOZZLE	4							
68	1	977770-1207F	GASKET, LIQUID	1							1
69	1	119802-11870	PROTECTOR, NOZZLE	4							

Remarks

- (1) OPTIONAL PART.
- (2) REPAIR PART.

Fig.5. SUCTION & EXHAUST MANIFOLD

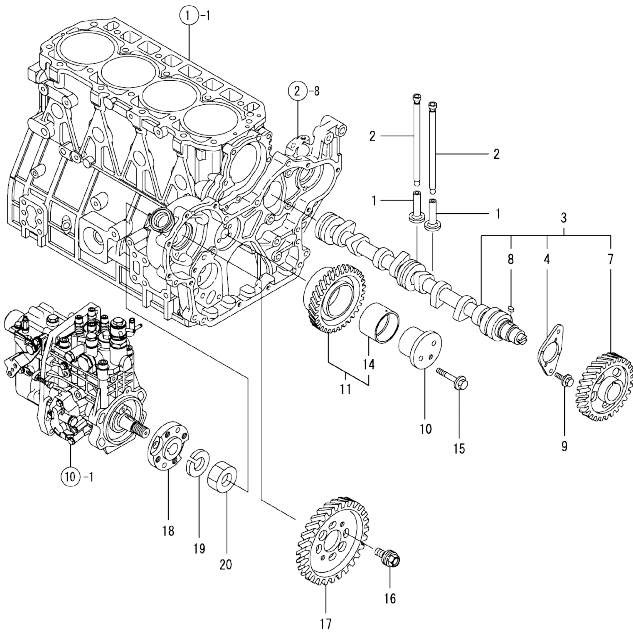


(A)=4TNV94L-XHYBC
(B)=
(C)=

(D)=
(E)=
(F)=

No.	Lev.	Parts No.	Description	Q'ty						I	R
				(A)	(B)	(C)	(D)	(E)	(F)		
1	1	129907-12100	MANIFOLD, AIR INTAKE	1							
3	1	129907-12110	GASKET, MANIFOLD	1							
4	1	26106-080552	BOLT, M8X 55 PLATED	9							
5	1	26106-080852	BOLT, M8X 85 PLATED	1							
6	1	129900-13200	MANIFOLD, EXHAUST	1							
8	1	129900-13251	GASKET, EXH.MANIFOLD	1							
9	1	123900-13610	BOLT, STUD M8X80	2							
10	1	123900-13630	BOLT, M8X80	6							
11	1	119131-18320	BOLT, STUD M8X22	4							
12	1	26306-080002	NUT, M8	2							
13	1	121850-77021	GASKET, AIR HEATER	1							
14	1	129915-77050	HEATER, AIR 12V	1							
15	1	26106-080352	BOLT, M8X 35 PLATED	4							
16	1	129930-13201	GASKET, SILENCER	1							
17	1	119005-12060	SILENCER, INTAKE	1							

Fig.6. CAMSHAFT & DRIVING GEAR



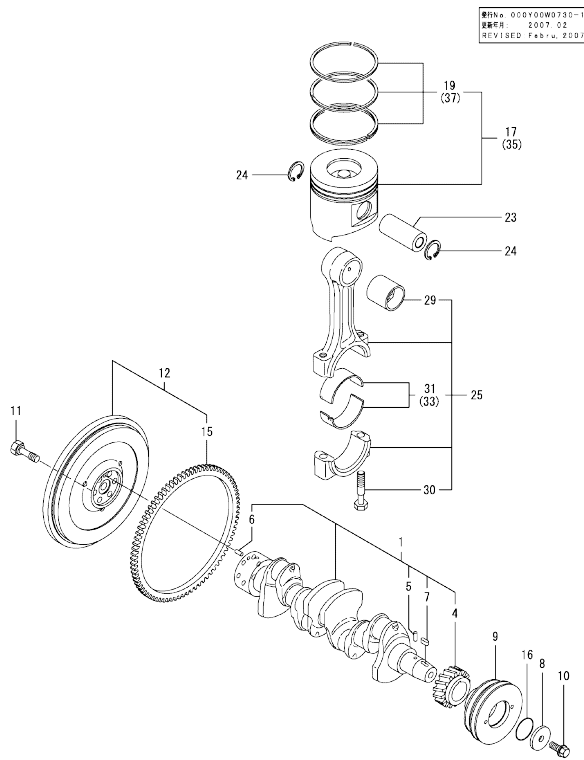
(A)=4TNV94L-XHYBC
(B)=
(C)=

(D)=
(E)=
(F)=

No.	Lev.	Parts No.	Description	Q'ty						I	R
				(A)	(B)	(C)	(D)	(E)	(F)		
1	1	129150-14200	TAPPET	8							
2	1	129907-14400	PUSH-ROD	8							
3	1	129907-14581	CAMSHAFT ASSY	1							
3-1	1	129908-14581	CAMSHAFT ASSY	1							N
		(A=EZZZZZ)									
4	2	129150-02450	BEARING, THRUST	1							
7	2	129900-14100	GEAR, CAMSHAFT	1							
8	2	22512-070140	KEY, 7X 14	1							
9	1	26106-080162	BOLT, M8X 16 PLATED	2							
10	1	123900-25060	SHAFT, IDLE GEAR	1							
11	1	129900-25100	GEAR ASSY, IDLE	1							
14	2	129150-25920	BUSH, IDLE GEAR	1							1
15	1	26106-080552	BOLT, M8X 55 PLATED	3							
16	1	129953-25300	BOLT	4							
17	1	129907-25900	GEAR, PUMP	1							
18	1	158563-51150	FLANGE	1							
19	1	22217-180000	WASHER, SPRING 18	1							
20	1	26776-180002	NUT, LOCK M18	1							

Remarks
(1) REPAIR PART.

Fig.7. CRANKSHAFT & PISTON



(A)=4TNV94L-XHYBC
(B)=
(C)=

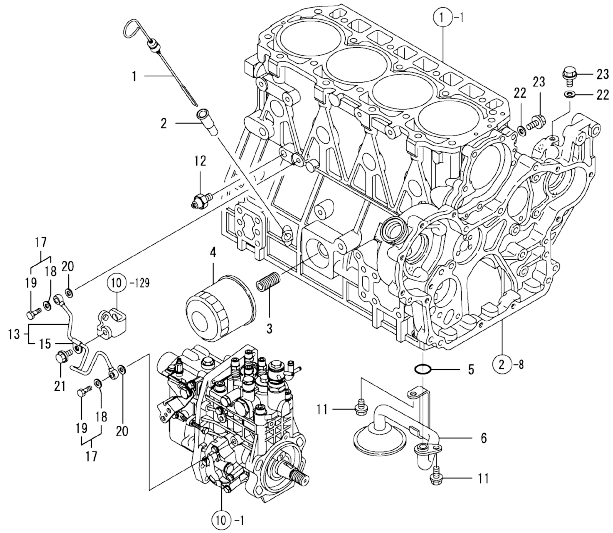
(D)=
(E)=
(F)=

No.	Lev.	Parts No.	Description	Qty						I	R
				(A)	(B)	(C)	(D)	(E)	(F)		
1	1	129902-21000	CRANKSHAFT ASSY	1							
4	2	129900-21200	GEAR, CRANKSHAFT	1							
5	2	121850-21290	PIN	1							
6	2	121850-21920	PIN, PARALLEL 10X22	1							
7	2	22512-070140	KEY, 7X 14	1							
8	1	129960-21640	WASHER	1							
9	1	129916-21680	V-PULLEY, CRANKSHAFT	1							
10	1	129916-21610	BOLT	1							
11	1	121850-21130	BOLT, FLYWHEEL	6							
12	1	129953-21581	FLYWHEEL ASSY	1							
15	2	129900-21600	GEAR, RING	1							
16	1	24341-000530	O-RING, 1AS53.0	1							
17	1	129906-22080	PISTON ASSY	4							
17-1	1	129906-22090	PISTON ASSY	4							F 4
(A=2009.12)											
19	2	129906-22050	RING SET, PISTON	4							
23	1	120130-22301	PIN, PISTON	4							
24	1	22252-000300	RING, 30	8							
25	1	129900-23001	ROD ASSY, CONNECTING	4							
29	2	129900-23911	BEARING, PISTON PIN	4							1
30	2	129900-23200	BOLT, CONNECTING ROD	8							
31	2	129900-23600	BEARING, CRANK PIN	4							
33	1	129900-23610	BEARING ASSY, 0.25US	4							2
35	1	729906-22900	PISTON ASSY, 0.25 OS	4							3
35-1	1	129906-22900	PISTON ASSY, 0.25 OS	4							R 3
(A=EXXXXX)											
35-2	1	129906-22910	PISTON ASSY, 0.25 OS	4							F 3
(A=2009.12)											
37	2	729906-22950	RING SET, 0.25 OS	4							3
37-1	2	129916-22950	RING SET, 0.25 OS	4							R 3
(A=EXXXXX)											

Remarks

- (1) Repair part.
- (2) Under-sized (U.S.=0.25) part.
- (3) Over-sized (O.S.=0.25) part.
- (4) Ref. No.17 is interchangeable with a set of Ref. No.17-1 and Fig.1 Ref. No.32-2.

Fig.8. LUB. OIL SYSTEM



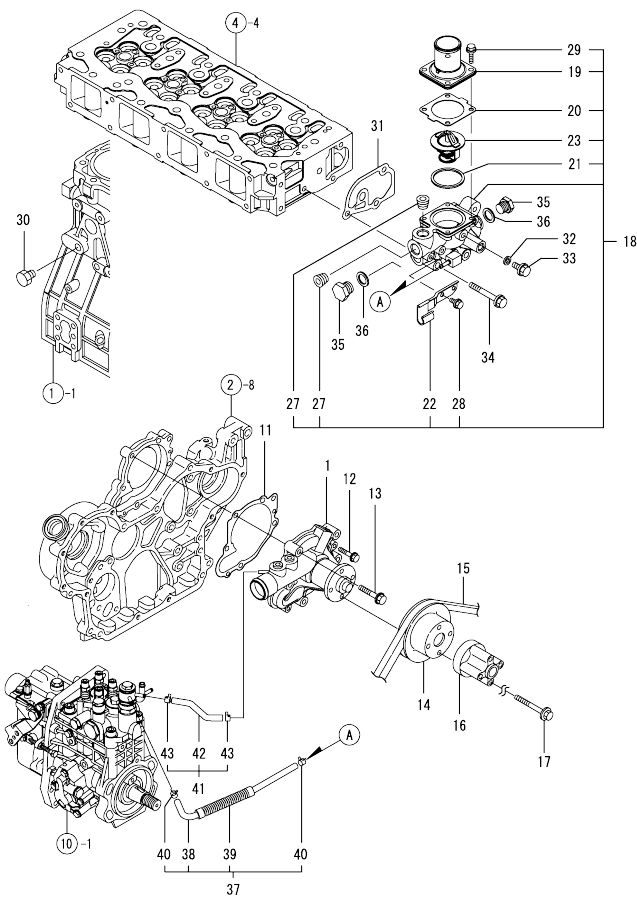
(A)=4TNV94L-XHYBC
(B)=
(C)=

(D)=
(E)=
(F)=

No.	Lev.	Parts No.	Description	Q'ty						I	R
				(A)	(B)	(C)	(D)	(E)	(F)		
1	1	129900-34800	DIPSTICK	1							
2	1	121520-34810	GUIDE, DIPSTICK	1							
3	1	119000-35140	BOLT, STUD FILTER	1							
4	1	119005-35151	FILTER, D80X100	1							1
5	1	129900-32030	O-RING, P20	1							
6	1	129900-35000	PIPE ASSY, OIL INLET	1							
11	1	26106-080122	BOLT, M8X 12 PLATED	2							
12	1	121252-39450	SWITCH, HYDRAULIC	1							
13	1	129907-39061	PIPE ASSY, OIL	1							
15	2	123907-39500	RETAINER, PIPE	1							
17	1	129005-59830	BOLT ASSY, JOINT M8	2							
18	2	22190-080002	WASHER, SEAL 6	2							
19	2	23857-030000	BOLT, JOINT 3	2							
20	1	22190-080002	WASHER, SEAL 6	2							
21	1	26106-080122	BOLT, M8X 12 PLATED	1							
22	1	22190-080002	WASHER, SEAL 6	2							
23	1	26106-080122	BOLT, M8X 12 PLATED	2							

Remarks
(1) REPAIR PART.

Fig.9. COOLING WATER SYSTEM

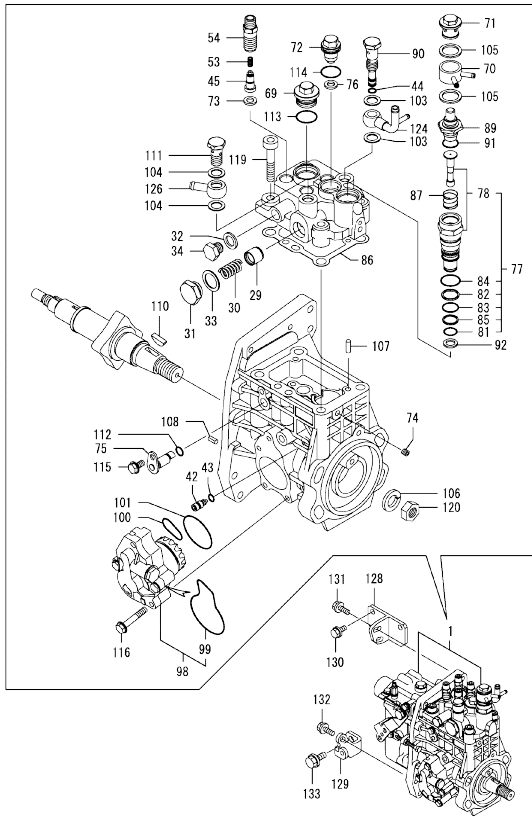


(A)=4TNV94L-XHYBC
(B)=
(C)=

(D)=
(E)=
(F)=

No.	Lev.	Parts No.	Description	Q'ty						I	R
				(A)	(B)	(C)	(D)	(E)	(F)		
1	1	129907-42000	PUMP ASSY, WATER	1							
11	1	129900-42020	GASKET, WATER PUMP	1							
12	1	26106-060302	BOLT, M6X 30 PLATED	2							
13	1	26106-080552	BOLT, M8X 55 PLATED	5							
14	1	129900-42461	V-PULLEY, C.W.PUMP	1							
15	1	25132-004150	V-BELT, A41.5	1							
16	1	119117-44760	SPACER, FAN	1							
17	1	26106-080802	BOLT, M8X 80 PLATED	4							
18	1	129946-49810	CASE ASSY, THERMOSTAT	1							
19	2	129916-49530	COVER, THERMOSTAT	1							
20	2	121850-49540	GASKET, THERMOSTAT	1							
21	2	121850-49550	GASKET, THERMOSTAT	1							
22	2	129907-49730	RETAINER, PIPE	1							
23	2	121850-49800	THERMOSTAT, 82C	1							
27	2	23875-030000	PLUG, R03	2							
28	2	26106-060122	BOLT, M6X 12 PLATED	1							
29	2	26106-060202	BOLT, M6X 20 PLATED	4							
30	1	171056-49120	PLUG, DRAIN R1/4	1							
31	1	129900-49870	GASKET, THERMOSTAT	1							
32	1	23414-080000	GASKET, 8X1.0	1							
33	1	26106-080122	BOLT, M8X 12 PLATED	1							
34	1	26106-080602	BOLT, M8X 60 PLATED	3							
35	1	121450-42450	PLUG, M16	2							
36	1	124465-44950	GASKET, 16	2							
37	1	129907-49610	HOSE ASSY, WATER	1							
38	2	129907-49710	HOSE, WATER	1							
39	2	129907-49750	TUBE, CORRUGATED	1							
40	2	124722-59050	CLAMP, HOSE 9	2							
41	1	129907-49620	HOSE ASSY, WATER	1							
42	2	129907-49720	HOSE, WATER	1							
43	2	124722-59050	CLAMP, HOSE 9	2							

Fig.10. FUEL INJECTION PUMP



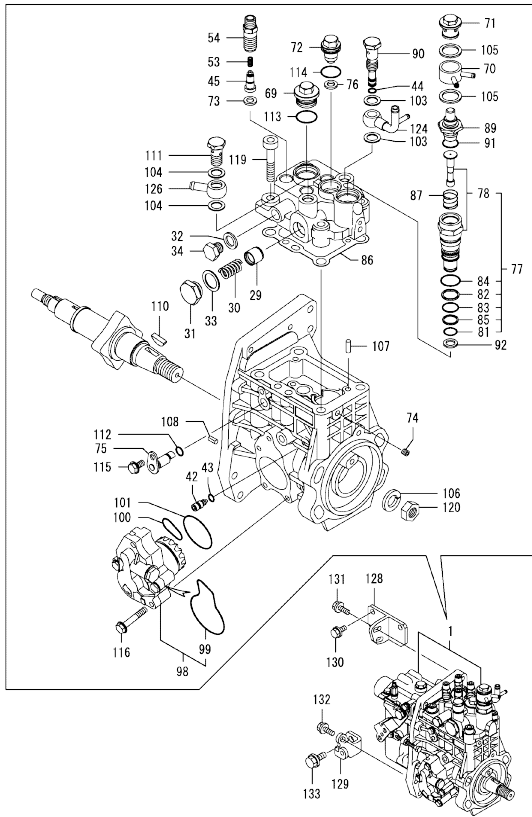
(A)=4TNV94L-XHYBC
(D)=
(E)=
(F)=

No.	Lev.	Parts No.	Description	(A)	(B)	(C)	(D)	(E)	(F)	I	R
1	1	729906-51330	FIE ASSY	1							1
29	2	158601-51770	PISTON, ACCUMULATOR	1							
30	2	158552-51780	SPRING, ACCUMULATOR	1							
30-1	2	158552-51781	SPRING, ACCUMULATOR	1							N
		(A=E/#*****)									
31	2	158601-51790	PLUG	1							
32	2	22190-120002	WASHER, SEAL 12	1							
33	2	22190-180002	WASHER, SEAL 18	1							
34	2	23887-120002	PLUG, 12	1							
42	2	158600-51270	STOPPER, TAPPET	1							
43	2	158563-51281	O-RING, 4D S6	1							
44	2	158563-51281	O-RING, 4D S6	1							
45	2	158560-51300	VALVE ASSY, DELIVERY	4							
53	2	158563-51330	SPRING, DELIVERY	4							
54	2	129907-51340	HOLDER, DELIVERY	4							
69	2	158601-51550	PLUG, M22	1							
70	2	158553-51551	JOINT, COOLING WATER	1							
71	2	158601-51570	PLUG	1							
72	2	129907-51560	PLUG, M16	1							
73	2	158552-51570	GASKET, PLUG	4							
74	2	158557-51570	PLUG, RACK	1							
75	2	158552-51580	LIFTER, LINK	1							
76	2	129906-51580	GASKET, PLUG	1							
77	2	119802-51590	TIMER ASSY	1							
78	3	119802-51600	TIMER ASSY	1							
81	3	158553-51670	O-RING	1							
82	3	119802-51680	RING, BACKUP	1							
83	3	119802-51690	O-RING	1							
84	3	24356-010200	O-RING, 4D1020	1							
85	3	24372-000150	RING, BACK UP T2P15	1							
86	2	158560-51600	GASKET	1							
87	2	158553-51630	SPRING, TIMER	1							
89	2	158553-51640	THERMOELEMENT	1							
90	2	158601-51650	JOINT, OVER FLOW	1							
91	2	158553-51660	O-RING, P14	1							
92	2	158553-51680	GASKET, TIMER	1							
98	2	158552-52100	PUMP ASSY, FUEL FEED	1							
99	3	158552-52500	O-RING	1							
100	2	158552-52310	O-RING	1							
101	2	158552-52400	O-RING, 4E S42	1							
103	2	22190-120002	WASHER, SEAL 12	2							
104	2	22190-120002	WASHER, SEAL 12	2							
105	2	22190-180002	WASHER, SEAL 18	2							
106	2	22217-180000	WASHER, SPRING 18	1							
107	2	22312-050140	PIN, PARALLEL M5X14	2							
108	2	22351-050010	PIN, SPRING 5.0X10	2							
110	2	144626-51090	FEATHER KEY, 5X19	1							
111	2	23857-060000	BOLT, JOINT 6	1							
112	2	24311-000070	O-RING, 1AP7.0	1							
113	2	24356-010200	O-RING, 4D1020	1							
114	2	24356-020210	O-RING, 4D2021	1							

Remarks
(1) GOVERNOR ASSY(FIG.11) IS INCORPORATED IN THIS FOP.CMP (REF.NO.1).

N:Old $\frac{New}{Old}$ New, Q:Old $\frac{New}{Old}$ New, R:Old $\frac{New}{Old}$ New, S:Old $\frac{New}{Old}$ New, W:Add, Z:Discontinued, F:Interchangeable by set, K:Qty Change
++ CONTINUE ++ Copyright (C) YANMAR GLOBAL CS CO., LTD. All Rights Reserved.

Fig.10. FUEL INJECTION PUMP



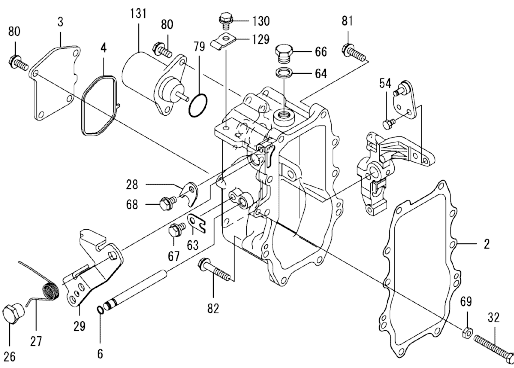
(A)=4TNV94L-XHYBC
(B)=
(C)=

(D)=
(E)=
(F)=

No.	Lev.	Parts No.	Description	Q'ty						I	R
				(A)	(B)	(C)	(D)	(E)	(F)		
115	2	26106-060102	BOLT, M6X 10 PLATED	1							
116	2	26106-060352	BOLT, M6X 35 PLATED	4							
119	2	26450-100452	BOLT, M10X 45	4							
120	2	26776-180002	NUT, LOCK M18	1							
124	2	158552-51670	JOINT, OVER FLOW	1							
126	2	129916-59020	JOINT, PIPE 12	1							
128	1	129907-01950	RETAINER, PUMP	1							
129	1	129906-01960	RETAINER, PUMP	1							
130	1	26106-080162	BOLT, M8X 16 PLATED	2							
131	1	26106-080222	BOLT, M8X 22 PLATED	2							
132	1	26106-080222	BOLT, M8X 22 PLATED	1							
133	1	26106-100202	BOLT, M10X 20 PLATED	1							

Remarks
(1) GOVERNOR ASSY(FIG.11) IS
INCORPORATED IN THIS FOP.CMP
(REF.NO.1).

Fig.11. GOVERNOR



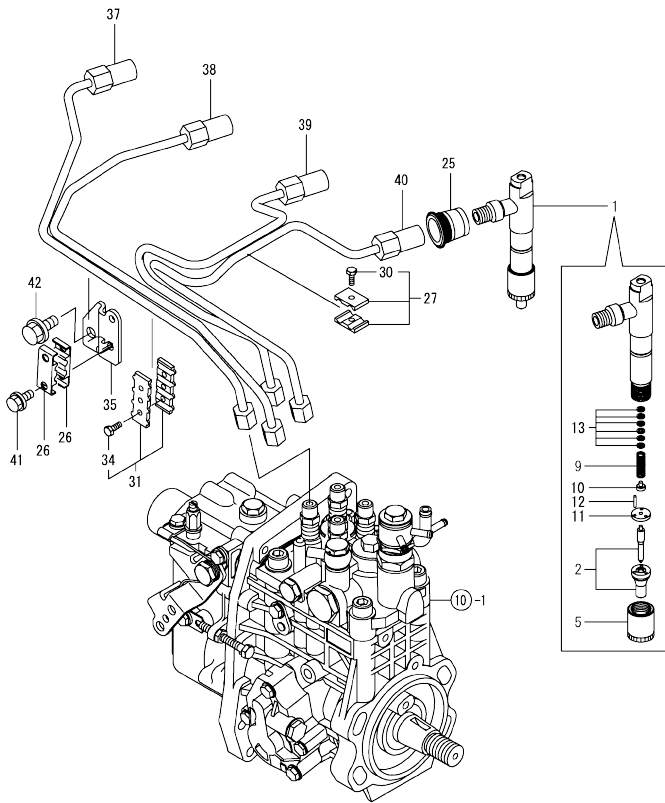
(A)=4TNV94L-XHYBC
(B)=
(C)=

(D)=
(E)=
(F)=

No.	Lev.	Parts No.	Description	Q'ty						I	R
				(A)	(B)	(C)	(D)	(E)	(F)		
2	2	158560-61050	GASKET	1							
3	2	158560-61061	COVER, GOVERNOR CASE	1							
4	2	158560-61071	GASKET	1							
6	2	129155-51280	O-RING, S6	1							
26	2	129255-61410	NUT, M8	1							
27	2	123944-61420	SPRING, LEVER	1							
28	2	158560-61430	STOPPER, SHAFT	1							
29	2	158560-61441	LEVER, REGULATOR	1							
32	2	129155-61460	BOLT, LIMITING	1							
54	2	26116-060102	BOLT, M6X 10 PLATED	1							
63	2	119660-61901	STOPPER, SHAFT	1							
64	2	22190-160002	WASHER, SEAL 16	1							
66	2	23887-160002	PLUG, 16	1							
67	2	26106-060102	BOLT, M6X 10 PLATED	1							
68	2	26106-060102	BOLT, M6X 10 PLATED	1							
69	2	26756-060002	NUT, LOCK M6	1							
79	2	24341-000280	O-RING, 1AS28.0	1							
79-1	2	158552-61900	O-RING	1							N
(A=EXXXXX)											
80	2	26106-060142	BOLT, M6X 14 PLATED	6							
81	2	26106-060252	BOLT, M6X 25 PLATED	8							
82	2	26106-060402	BOLT, M6X 40 PLATED	2							
129	2	123944-61430	RETAINER	1							
130	2	26106-060102	BOLT, M6X 10 PLATED	1							
131	2	119233-77932	SOLENOID, STOP	1							

Remarks
* THIS FIGURE(GOVERNOR ASSY)IS
INCORPORATED IN THE FUEL INJECTION
PUMP ASSY(FIG.10).

Fig.12. FUEL INJECTION VALVE

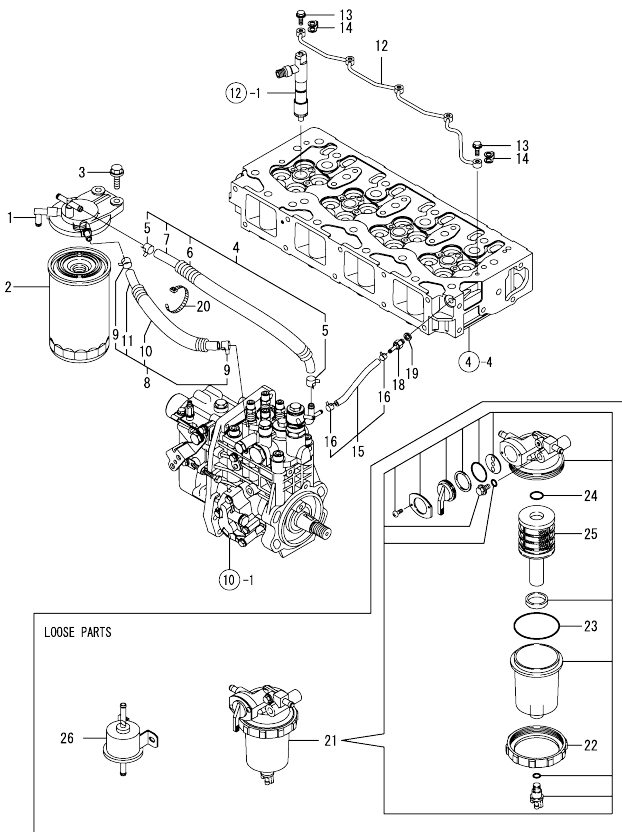


(A)=4TNV94L-XHYBC
(B)=
(C)=

(D)=
(E)=
(F)=

No.	Lev.	Parts No.	Description	Q'ty						I	R
				(A)	(B)	(C)	(D)	(E)	(F)		
1	1	729906-53100	FUEL INJECTOR ASSY	4							
2	2	129906-53000	NOZZLE ASSY, F.I.	4							
5	2	114250-53080	NUT, NOZZLE	4							
9	2	114250-53120	SPRING, NOZZLE	4							
10	2	114250-53130	SEAT, SPRING	4							
11	2	114250-53140	SPACER	4							
12	2	114250-53210	PIN	8							
13	2	114250-53400	SHIM SET	4							
25	1	123907-11601	SEAL, PIPE	4							
26	1	122780-59100	RETAINER	2							
27	1	119305-59120	RETAINER, PIPE	1							
30	2	129150-59131	BOLT, M4X14	1							
31	1	129550-59120	RETAINER, PIPE	1							
34	2	129150-59131	BOLT, M4X14	2							
35	1	129907-59710	SUPPORT	1							
37	1	129907-59810	PIPE ASSY, INJECTION	1							
38	1	129907-59820	PIPE ASSY, INJECTION	1							
39	1	129907-59830	PIPE ASSY, INJECTION	1							
40	1	129907-59840	PIPE ASSY, INJECTION	1							
41	1	26106-060162	BOLT, M6X 16 PLATED	2							
42	1	26106-080182	BOLT, M8X 18 PLATED	1							

Fig.13. FUEL LINE



(A)=4TNNV94L-XHYBC
(B)=
(C)=

(D)=
(E)=
(F)=

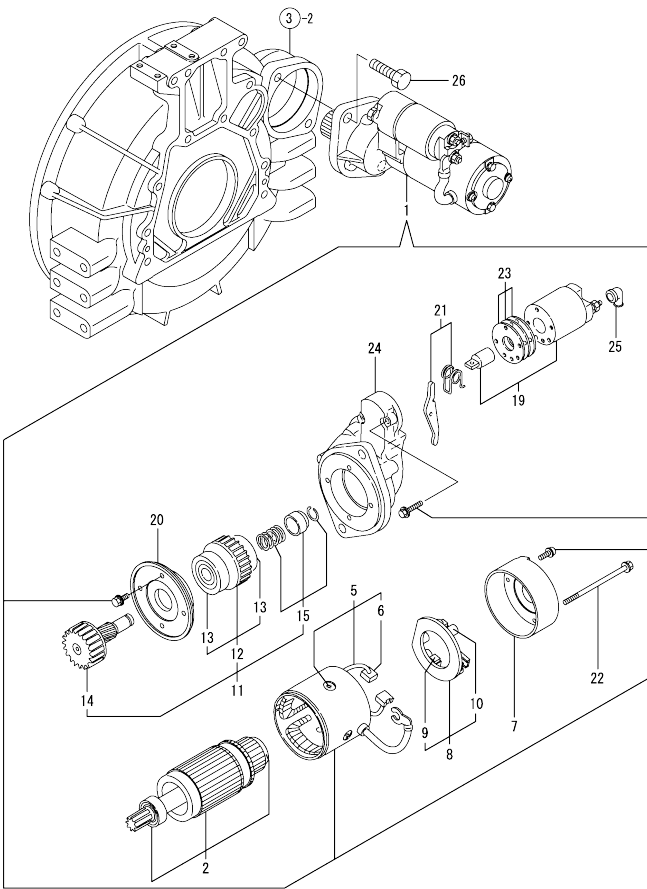
No.	Lev.	Parts No.	Description	Q'ty						I	R
				(A)	(B)	(C)	(D)	(E)	(F)		
1	1	129004-55611	BRACKET, FILTER	1							
2	1	129907-55800	FILTER, FUEL	1							
3	1	26106-080302	BOLT, M8X 30 PLATED	2							
4	1	129457-59010	HOSE ASSY, FUEL	1							
5	2	124766-59050	CLAMP, HOSE 11.5	2							
6	2	129957-59120	TUBE, CORRUGATED 15	1							
7	2	105025-59750	HOSE, FUEL	1							
8	1	129981-59010	HOSE ASSY, FUEL	1							
9	2	124766-59050	CLAMP, HOSE 11.5	2							
10	2	129950-59221	TUBE, CORRUGATED 15	1							
11	2	129980-59510	HOSE, FUEL	1							
12	1	129907-59140	PIPE ASSY, RETURN	1							
13	1	123907-59540	BOLT, PIPE JOINT M6	5							
14	1	123907-59550	GASKET	5							
15	1	129486-59551	HOSE ASSY, RETURN	1							
16	2	124722-59050	CLAMP, HOSE 9	2							
18	1	123907-59560	JOINT, HOSE	1							
19	1	22190-080002	WASHER, SEAL 6	1							
20	1	121750-59890	BAND, NYLON	1							
21	1	129906-55700	SEPARATOR ASSY,WATER	1							
22	2	129100-55690	RING, CUP RETAINING	1							
23	2	24321-000650	O-RING, 1AG65.0	1							
24	2	24311-000160	O-RING, 1AP16.0	1							
25	2	119802-55710	ELEMENT	1							
26	1	129612-52100	PUMP, FUEL FEED	1							

Fig.14. STARTING MOTOR

(A)=4TNV94L-XHYBC
(B)=
(C)=

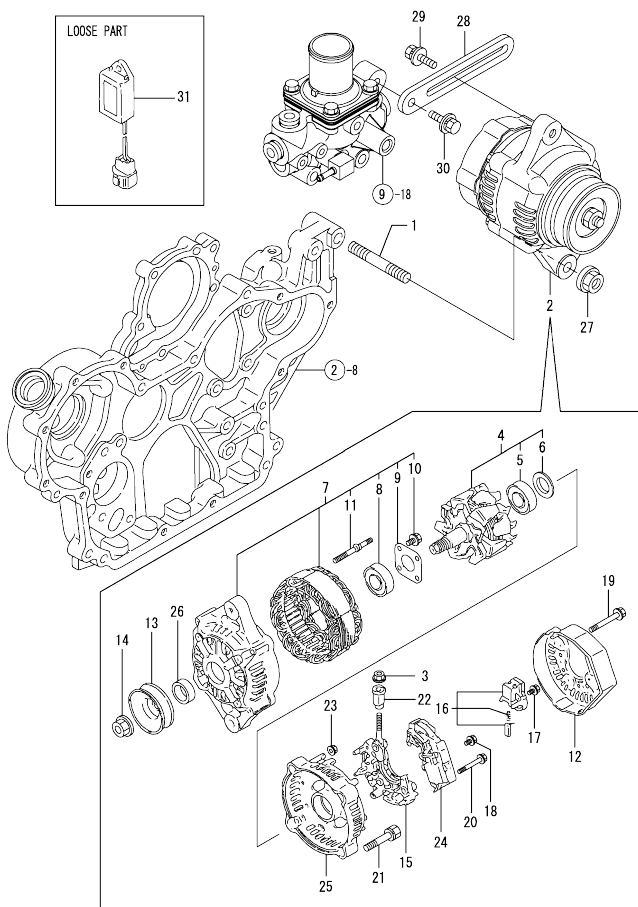
(D)=
(E)=
(F)=

No.	Lev.	Parts No.	Description	Q'ty						I	R
				(A)	(B)	(C)	(D)	(E)	(F)		
1	1	123900-77010	STARTER ASSY	1							
2	2	123900-77400	ARMATURE ASSY	1							
5	2	123900-77440	COIL ASSY, FIELD	1							
6	3	123900-77450	BRUSH	2							
7	2	123900-77460	COVER	1							
8	2	123900-77480	HOLDER ASSY, BRUSH	1							
9	3	123900-77450	BRUSH	2							
10	3	121254-77590	SPRING, BRUSH	4							
11	2	123900-77510	PINION ASSY	1							
12	3	123900-77520	CLUTCH ASSY	1							
13	4	X2240610100	BEARING, BALL	2							
14	3	123900-77540	SHAFT, PINION	1							
15	3	119131-77550	STOPPER SET, PINION	1							
19	2	129900-77591	SWITCH ASSY, MAGNET	1							
20	2	123900-77610	RETAINER, BEARING	1							
21	2	129900-77620	LEVER SET	1							
22	2	123900-77640	BOLT, THROUGH	2							
23	2	123900-77650	COVER KIT, DUST	1							
24	2	123900-77710	CASE, GEAR	1							
25	2	171008-77750	COVER, TERMINAL	1							
26	1	26116-120252	BOLT, M12X 25 PLATED	2							



0CW10-M07300 4TNV94L-XHYBC
 Fig.15. GENERATOR

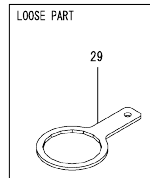
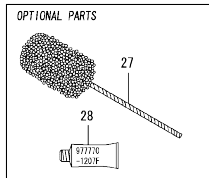
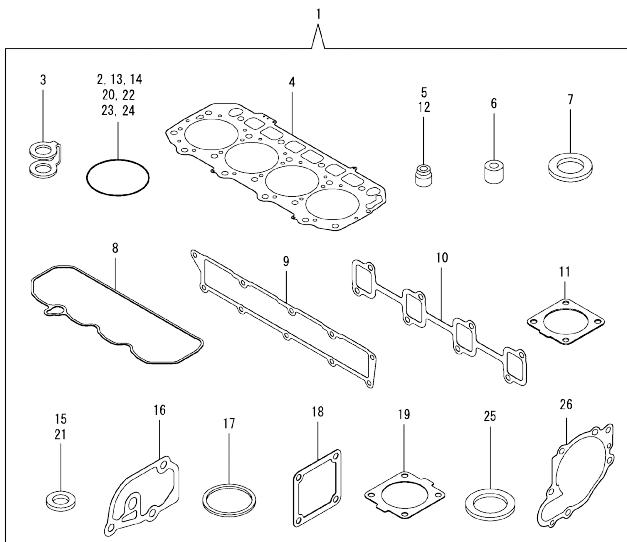
0CW10-M07300 Fig.15



No.	Lev.	Parts No.	Description	Qty						I	R	
				(A)	(B)	(C)	(D)	(E)	(F)			
1	1	129795-01900	BOLT, STUD M10X33	1								
2	1	119626-77210	ALTERNATOR, 12V-55A	1								
3	2	X9490561001	NUT	1								
4	2	129052-77380	ROTOR ASSY	1								
5	3	123501-79240	BEARING, BALL	1								
6	3	119620-79250	COVER, BEARING	1								
7	2	129052-77422	FRAME ASSY	1								
8	3	119620-79200	BEARING, BALL	1								
9	3	119620-79210	RETAINER	1								
10	3	119620-79220	SCREW	4								
11	3	119620-79230	BOLT, STUD	2								
12	2	128401-77440	COVER	1								
13	2	119620-77461	PULLEY, GENERATOR	1								
14	2	119620-77471	NUT	1								
15	2	129052-79260	HOLDER	1								
16	2	129052-79270	HOLDER, BRUSH	1								
17	2	119620-79290	SCREW	6								
18	2	119620-79300	SCREW	1								
19	2	119620-79310	BOLT	3								
20	2	119620-79320	SCREW	2								
21	2	119620-79330	BOLT	2								
22	2	119620-79340	BUSH, INSULATION	1								
23	2	119620-79350	NUT	2								
24	2	129423-77710	REGULATOR ASSY	1								
25	2	119626-79410	FRAME	1								
25-1	2	119626-77450	FRAME	1								N
(A=FROM 1ST)												
26	2	119620-77490	COLLAR	1								
27	1	26306-100002	NUT, M10	1								
28	1	129900-77330	ADJUSTER, BELT	1								
29	1	119810-77340	BOLT, ADJUST L=30	1								
30	1	26014-080252	BOLT, M8X 25	1								
31	1	129211-77920	TIMER	1								

N:Old $\frac{100}{100}$ New, Q:Old $\frac{100}{100}$ New, R:Old $\frac{100}{100}$ New, S:Old $\frac{100}{100}$ New, W:Add, Z:Discontinued, F:Interchangeable by set, K:Qty Change
 Copyright (C) YANMAR GLOBAL CS CO., LTD. All Rights Reserved.

Fig.16. GASKET SET



(A)=4TNV94L-XHYBC
(B)=
(C)=

(D)=
(E)=
(F)=

No.	Lev.	Parts No.	Description	Qty						I	R	
				(A)	(B)	(C)	(D)	(E)	(F)			
1	1	729906-92770	GASKET SET	1							1	
1-1	1	129906-92700	GASKET SET	1							N	1
(A=2009.12)												
2	2	24351-030750	O-RING, 1A3075	1								
3	2	123907-59550	GASKET	5								
4	2	129906-01340	GASKET, HEAD	1								
4-1	2	129906-01350	GASKET, HEAD	1							N	
(A=2009.12)												
5	2	124160-11340	SEAL, VALVE STEM	8								
6	2	119802-11870	PROTECTOR, NOZZLE	4								
7	2	119625-11880	SEAT, NOZZLE	4								
8	2	129907-11310	GASKET, BONNET	1								
9	2	129907-12110	GASKET, MANIFOLD	1								
10	2	129900-13251	GASKET, EXH.MANIFOLD	1								
11	2	129930-13201	GASKET, SILENCER	1								
12	2	124950-11340	SEAL, VALVE STEM	8								
13	2	129900-32030	O-RING, P20	2								
14	2	129900-32040	O-RING, P14	1								
15	2	124465-44950	GASKET, 16	2								
16	2	129900-49870	GASKET, THERMOSTAT	1								
17	2	121850-49550	GASKET, THERMOSTAT	1								
18	2	121850-77021	GASKET, AIR HEATER	1								
19	2	121850-49540	GASKET, THERMOSTAT	1								
20	2	24341-000530	O-RING, 1AS53.0	1								
21	2	23414-080000	GASKET, 8X1.0	1								
22	2	24311-000070	O-RING, 1AP7.0	1								
23	2	24311-000120	O-RING, 1AP12.0	8								
24	2	24311-000320	O-RING, 1AP32.0	3								
25	2	22190-080002	WASHER, SEAL 6	7								
26	2	129900-42020	GASKET, WATER PUMP	1								
27	1	129400-92440	HONE, FLEX	1								1
28	1	977770-1207F	GASKET LIQUID	1								1
29	1	119640-92750	TOOL, FILTER WRENCH	1								

Remarks
(1) OPTIONAL PARTS.

Parts No. Index

Parts No.	Fig. No.	Ref. No.
105025-59750	13	7
114250-53080	12	5
114250-53120	12	9
114250-53130	12	10
114250-53140	12	11
114250-53210	12	12
114250-53400	12	13
119000-35140	8	3
119005-12060	5	17
119005-35151	8	4
119117-44760	9	16
119131-18320	5	11
119131-77550	14	15
119233-77932	11	131
119305-59120	12	27
119593-11301	4	28
119620-11180	4	17
119620-77461	15	13
119620-77471	15	14
119620-77490	15	26
119620-79200	15	8
119620-79210	15	9
119620-79220	15	10
119620-79230	15	11
119620-79250	15	6
119620-79290	15	17
119620-79300	15	18
119620-79310	15	19
119620-79320	15	20
119620-79330	15	21
119620-79340	15	22
119620-79350	15	23
119625-11880	4	26
	16	7
119626-77210	15	2
119626-77450	15	25 -1
119626-79410	15	25
119640-61400	4	61
119640-92750	16	29
119660-61901	11	63
119802-11870	4	69
	16	6
119802-51590	10	77
119802-51600	10	78
119802-51680	10	82
119802-51690	10	83
119802-55710	13	25
119810-77340	15	29
120130-22301	7	23
121252-39450	8	12

Parts No.	Fig. No.	Ref. No.
121254-77590	14	10
121450-42450	9	35
121520-34810	8	2
121750-59890	13	20
121850-21130	7	11
121850-21290	7	5
121850-21920	7	6
121850-49540	9	20
	16	19
121850-49550	9	21
	16	17
121850-49800	9	23
121850-77021	5	13
	16	18
122780-59100	12	26
123501-79240	15	5
123900-13610	5	9
123900-13630	5	10
123900-25060	6	10
123900-77010	14	1
123900-77400	14	2
123900-77440	14	5
123900-77450	14	6
	9	9
123900-77460	14	7
123900-77480	14	8
123900-77510	14	11
123900-77520	14	12
123900-77540	14	14
123900-77610	14	20
123900-77640	14	22
123900-77650	14	23
123900-77710	14	24
123907-03100	4	54
123907-03110	4	55
123907-03120	4	56
123907-03140	4	57
123907-11280	4	33
123907-11550	4	3
123907-11601	12	25
123907-11820	4	10
123907-11830	4	23
123907-39500	8	15
123907-59540	13	13
123907-59550	13	14
	16	3
123907-59560	13	18
123944-61420	11	27
123944-61430	11	129
124160-01751	2	35

Parts No.	Fig. No.	Ref. No.
124160-01751	4	49
124160-11340	4	18
	16	5
124160-11360	4	64
124465-44950	9	36
	16	15
124722-59050	9	40
	43	
	13	16
124766-59050	13	5
	9	
124950-11340	4	19
	16	12
128401-77440	15	12
129001-91810	2	24
	25	
129004-55611	13	1
129005-59830	8	17
129052-77380	15	4
129052-77422	15	7
129052-79260	15	15
129052-79270	15	16
129100-01580	2	5
	3	1
129100-55690	13	22
129150-02450	6	4
129150-11230	4	36
	40	
129150-11750	4	22
	37	
	41	
129150-14200	6	1
129150-25920	6	14
129150-59131	12	30
	34	
129155-51280	11	6
129155-61460	11	32
129211-77920	15	31
129255-61410	11	26
129400-92440	16	27
129423-77710	15	24
129457-59010	13	4
129486-59551	13	15
129550-59120	12	31
129612-52100	13	26
129795-01900	15	1
129900-01200	1	31
129900-01250	1	5
129900-01850	2	39
129900-01870	2	40

Parts No.	Fig. No.	Ref. No.
129900-02020	1	7
129900-02340	1	34
129900-02410	1	10
129900-02930	1	28
129900-02940	1	37
129900-07900	4	1
129900-13200	5	6
129900-13251	5	8
	16	10
129900-14100	6	7
129900-21200	7	4
129900-21600	7	15
129900-23001	7	25
129900-23200	7	30
129900-23600	7	31
129900-23610	7	33
129900-23911	7	29
129900-25100	6	11
129900-32001	2	11
129900-32030	2	22
	8	5
	16	13
129900-32040	2	23
	16	14
129900-34800	8	1
129900-35000	8	6
129900-42020	9	11
	16	26
129900-42461	9	14
129900-49870	9	31
	16	16
129900-77330	15	28
129900-77591	14	19
129900-77620	14	21
129902-21000	7	1
129906-01340	1	32
	16	4
129906-01350	1	32 -2
	16	4 -1
129906-01640	3	9
129906-01720	3	8
129906-01960	10	129
129906-22050	7	19
129906-22080	7	17
129906-22090	7	17 -1
129906-22900	7	35 -1
129906-22910	7	35 -2
129906-51580	10	76
129906-53000	12	2
129906-55700	13	21

Parts No. Index

Parts No.	Fig. No.	Ref. No.
129906-92700	16	1 -1
129907-01190	1	33
129907-01331	1	32 -1
129907-01950	10	128
129907-03011	4	51
129907-03061	4	52
129907-03070	4	53
129907-11100	4	14
129907-11110	4	15
129907-11120	4	16
129907-11250	4	30
129907-11260	4	31
129907-11270	4	32
129907-11310	4	60
	16	8
129907-11320	4	50
129907-11341	4	29
129907-11510	4	20
129907-11650	4	34
129907-11660	4	38
129907-11700	4	4
129907-11800	4	8
129907-11910	4	67
129907-11920	4	42
129907-11950	4	47
129907-12100	5	1
129907-12110	5	3
	16	9
129907-14400	6	2
129907-14581	6	3
129907-25900	6	17
129907-39061	8	13
129907-42000	9	1
129907-49610	9	37
129907-49620	9	41
129907-49710	9	38
129907-49720	9	42
129907-49730	9	22
129907-49750	9	39
129907-51340	10	54
129907-51560	10	72
129907-55800	13	2
129907-59140	13	12
129907-59710	12	35
129907-59810	12	37
129907-59820	12	38
129907-59830	12	39
129907-59840	12	40
129908-14581	6	3 -1
129915-77050	5	14

Parts No.	Fig. No.	Ref. No.
129916-01790	3	7
129916-01800	2	4
129916-21610	7	10
129916-21680	7	9
129916-22950	7	37 -1
129916-49530	9	19
129916-59020	10	126
129927-42140	2	23 A
129930-13201	5	16
	16	11
129944-01500	2	8
129946-49810	9	18
129950-59221	13	10
129951-01740	2	6
129953-21581	7	12
129953-25300	6	16
129957-59120	13	6
129960-21640	7	8
129980-59510	13	11
129981-01600	3	2
129981-59010	13	8
144626-51090	10	110
158552-51570	10	73
158552-51580	10	75
158552-51670	10	124
158552-51780	10	30
158552-51781	10	30 -1
158552-52100	10	98
158552-52310	10	100
158552-52400	10	101
158552-52500	10	99
158552-61900	11	79 -1
158553-51551	10	70
158553-51630	10	87
158553-51640	10	89
158553-51660	10	91
158553-51670	10	81
158553-51680	10	92
158557-51570	10	74
158560-51300	10	45
158560-51600	10	86
158560-61050	11	2
158560-61061	11	3
158560-61071	11	4
158560-61430	11	28
158560-61441	11	29
158563-51150	6	18
158563-51281	10	43
		44
158563-51330	10	53

Parts No.	Fig. No.	Ref. No.
158600-51270	10	42
158601-51550	10	69
158601-51570	10	71
158601-51650	10	90
158601-51770	10	29
158601-51790	10	31
171008-77750	14	25
171031-11741	2	41
171051-01921	1	6
171056-49120	9	30
22190-080002	8	18
		20
		22
	13	19
	16	25
22190-120002	10	32
		103
		104
22190-160002	11	64
22190-180002	10	33
		105
22217-180000	6	19
	10	106
22252-000300	7	24
22312-050140	10	107
22351-050010	10	108
22351-060012	1	11
22512-070140	6	8
	7	7
22857-500100	4	62
		63
23414-080000	9	32
	16	21
23857-030000	8	19
23857-060000	10	111
23875-030000	9	27
23876-020000	4	11
23876-030000	1	12
		13
		14
	4	12
23887-120002	10	34
23887-160002	11	66
24311-000070	2	26
	10	112
	16	22
24311-000120	4	27
		65
	16	23
24311-000160	13	24

Parts No.	Fig. No.	Ref. No.
24311-000320	2	38
		42
	4	66
	16	24
24321-000650	13	23
24341-000280	11	79
24341-000530	7	16
	16	20
24351-030750	2	27
	16	2
24356-010200	10	84
		113
24356-020210	10	114
24372-000150	10	85
25132-004150	9	15
26014-080252	15	30
26106-060102	10	115
	11	67
		68
		130
26106-060122	9	28
26106-060142	11	80
26106-060162	12	41
26106-060202	9	29
26106-060252	11	81
26106-060302	9	12
26106-060352	10	116
26106-060402	11	82
26106-080122	3	12
	8	11
		21
		23
	9	33
26106-080162	2	28
		29
		36
		4
		6
		9
	10	130
26106-080182	12	42
26106-080202	2	30
26106-080222	10	131
		132
26106-080302	13	3
26106-080352	5	15
26106-080402	2	31
		32
	4	44
26106-080452	2	33
26106-080552	5	4

Parts No. Index

Parts No.	Fig. No.	Ref. No.
26106-080552	6	15
	9	13
26106-080602	4	45
		46
	9	34
26106-080802	9	17
26106-080852	5	5
26106-100202	10	133
26116-060102	11	54
26116-120252	14	26
26206-100352	3	5
26206-100702	3	6
26216-100302	2	10
26226-080222	4	43
26306-080002	4	48
	5	12
26306-100002	2	34
	15	27
26450-100452	10	119
26756-060002	11	69
26776-180002	6	20
	10	120
27241-300000	1	15
27241-400000	4	13
27310-070001	4	24
729900-02800	1	25
729906-01560	1	1
729906-22900	7	35
729906-22950	7	37
729906-51330	10	1
729906-53100	12	1
729906-92770	16	1
729907-01559	2	1
977770-1207F	2	37
	3	4
	4	68
	16	28
X2240610100	14	13
X9490561001	15	3

Parts No.	Fig. No.	Ref. No.
-----------	----------	----------

Parts No.	Fig. No.	Ref. No.
-----------	----------	----------

Parts No.	Fig. No.	Ref. No.
-----------	----------	----------