

OCR10-M59100EN

PREFACE

- 1.This Parts Catalog carries all parts incorporated in YANMAR Model 4TNV88-XWL engine manufactured since Novemver, 2004.
- 2.Each illustration corresponds to the parts list on the following page.
- 3.When ordering parts,clearly write down the engine model and serial number,as well as the name and number of each part in your order sheet. This will help insure reliable delivery of the parts you have ordered.

Directions for the Parts Catalog.

1. This Parts Catalog shows both standard and optional parts.
2. Parts may change without prior notice.
3. The following is an example of the Parts Catalog format.

REF.	LEV.	PARTS NO.	DESCRIPTION	Q'TY						I	R
				(A)	(B)	(C)	(D)	(E)	(F)		
1	1	729595-51390	FUEL INJECTION PUMP	1	1	1	1	1			1
1-1	1	729595-51391	FUEL INJECTION PUMP	1	1	1	1	1		N	1
		(A=E00185) (B=E00200)									
3	2	26022-060162	SCREW M 6X 16	9	9	9	9	9			
3-1	2	26022-060162	SCREW M 6X 16	4	4	4	4	4		K	
		(A=E00156) (B=E00156) (C=E00156) (D=E00156) (E=E00156)									
4	2	129470-51040	CAMSHAFT	1	1	1	1	1			
5	2	122710-51050	BEARING, ROLLER	2	2	2	2	2			
6	2	129470-51060	RETAINER	1	1	1	1	1			

Remarks
(1) BOOST COMPEMSATOR TYPE. OPTIONAL PART, TO E00155,(4JH-DT, 4JH-DTZ

① Ref. No.

The Ref. No. listed may not be in accordance with the illustration Ref. No.

(Ex.) Illustration No.

List Ref No.

1 1 (Before change) → 1-1 (After change)

For interchangeable symbols N, R and K, illustrations for new parts may be abbreviated.

② Lev. (Level)

Level indication

The numbers below indicate the level of relativity towards the main part.

1 ---- Main parts (Assembly parts)

2 ---- Sub component included in " 1 ".

3 ---- Sub component included in " 2 ".

Note) Parts that are not for sale are partially illustrated but not listed.

③ Interchangeability Symbol

When a part change takes place, one of the following interchangeability symbols is indicated beside the part.

Symbol	Interchangeability	Contents note
N	Old $\begin{matrix} \leftarrow \text{Yes} \\ \text{No} \rightarrow \end{matrix}$ New	New Part is interchangeable for Old Part but Old Part is not interchangeable for New Part.
Q	Old $\begin{matrix} \leftarrow \text{No} \\ \text{Yes} \rightarrow \end{matrix}$ New	New Part is not interchangeable for Old Part but Old Part is interchangeable for New Part.
R	Old $\begin{matrix} \leftarrow \text{Yes} \\ \text{Yes} \rightarrow \end{matrix}$ New	New/ Old Parts are both interchangeable.
S	Old $\begin{matrix} \leftarrow \text{No} \\ \text{No} \rightarrow \end{matrix}$ New	New/ Old Parts are both not interchangeable.
W		Part newly added.
Z		Part discontinued.
F		Not interchangeable by a single part but interchangeable together with related parts.
K		Changes only for used parts quantities.

④ Effective Machine No.

When a part changes, the effective Machine No. will be indicated in the (A)-(F) column.

Product Symbol	Product No.	Product Symbol	Product No.
C	Clutch No. Compressor No.	F	Machine No. (Agricultural Equip.)
D	Drive No.	M	Machine No.
E	Engine No.		

Note 1) A date may follow the symbol. (Ex.) 1996.01

Note 2) "XXXXX" and "ZZZZZ" are for parts that could not be predicted or for engine models that could not be identified.

Note 3) (A=E00185) is the E (Engine Serial Number) for the column (A) model (in this case 4JH-DT) after the parts design change.

⑤ Remarks

Figures or alphabets (symbols) are entered in the remarks column.

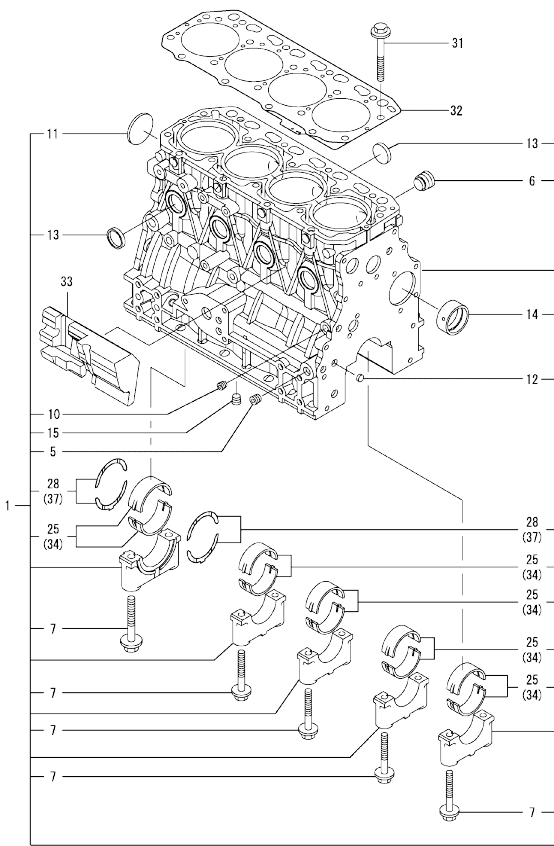
The comments (remarks) on parts that are indicated at the bottom of the illustration are the same symbols as those stated above.

Contents

OCR10-M59100

Fig. No.	Fig. Name	Fig. No.	Fig. Name
ENGINE SECTION (4TNV88-XWL)			
1.	CYLINDER BLOCK		
2.	GEAR HOUSING		
3.	FLYWHEEL HOUSING & OIL SUMP		
4.	CYLINDER HEAD & BONNET		
5.	SUCTION MANIFOLD		
6.	EXHAUST MANIFOLD		
7.	CAMSHAFT & DRIVING GEAR		
8.	CRANKSHAFT & PISTON		
9.	LUB.OIL SYSTEM		
10.	LUB.OIL LINE		
11.	COOLING WATER SYSTEM		
12.	FUEL INJECTION PUMP		
13.	GOVERNOR		
14.	FUEL INJECTION VALVE		
15.	FUEL LINE		
16.	STARTING MOTOR		
17.	GENERATOR		
18.	GASKET SET		

Fig.1. CYLINDER BLOCK



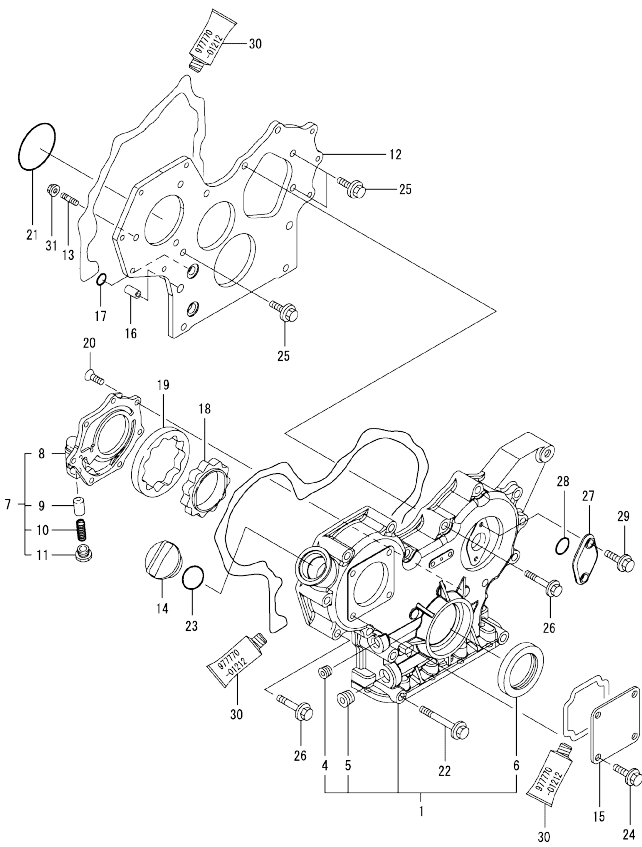
(A)=4TNV88-XWL
(B)=
(C)=

(D)=
(E)=
(F)=

No.	Lev.	Parts No.	Description	Q'ty						I	R
				(A)	(B)	(C)	(D)	(E)	(F)		
1	1	729602-01560	BLOCK ASSY, CYLINDER	1							
5	2	124160-01910	PLUG, PT1/4	2							
6	2	171051-01921	PLUG, NPTF1	1							
7	2	129150-02020	BOLT, METAL CAP	10							
10	2	124060-01050	PLUG, PT1/8	1							
11	2	129001-01250	PLUG, 50	1							
12	2	27241-120000	PLUG, 12	2							
13	2	27241-300000	PLUG 30	8							
14	2	129795-02411	BUSH, CAMSHAFT	1							
15	2	124160-01910	PLUG, PT1/4	1							
25	2	129001-02930	BEARING, MAIN	5							3
28	2	129150-02930	BEARING, THRUST	2							
31	1	129150-01200	BOLT, HEAD	18							
32	1	129407-01340	GASKET, HEAD	1							
33	1	129004-01190	SPACER	1							
34	1	129150-02870	BEARING, 0.25 US	5							1
37	1	129150-02940	BEARING, THRUST 0.25	1							2

Remarks
(1) UNDER-SIZE(U.S=0.25)PART.
(2) OVER-SIZE(O.S=0.25)PART.
(3) REPAIR PART.

Fig.2. GEAR HOUSING

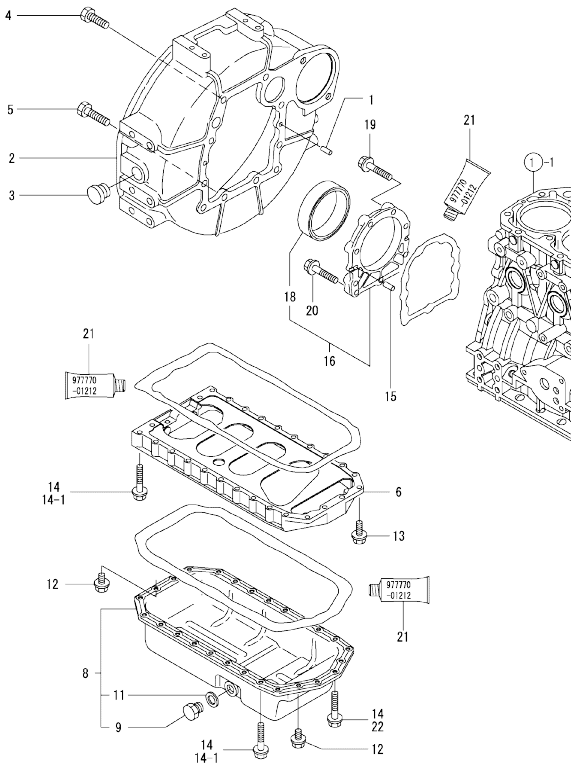


No.	Lev.	Parts No.	Description	Q'ty						I	R
				(A)	(B)	(C)	(D)	(E)	(F)		
1	1	719802-01500	CASE ASSY, GEAR	1							
4	2	23876-030000	PLUG, R03	1							
5	2	23876-040000	PLUG, R04	1							
6	2	129795-01800	SEAL, OIL	1							
7	1	119802-32100	COVER ASSY	1							
8	2	119802-32070	COVER	1							
9	2	129900-32130	VALVE, RELIEF	1							
10	2	129418-32320	SPRING	1							
11	2	129001-32330	PLUG	1							
12	1	119802-01520	FLANGE, GEAR CASE	1							
13	1	119802-01560	STUD, M8X25	3							
14	1	124160-01751	COVER, FILLER	1							
15	1	124240-01871	COVER	1							
16	1	129795-01950	PIPE, KNOCK L=18	2							
17	1	119609-32040	O-RING, P16	4							
18	1	119802-32111	ROTOR, INNER	1							
19	1	119802-32120	ROTOR, OUTER	1							
20	1	119802-32130	SCREW, M6X16	7							
21	1	121850-51960	O-RING	1							
22	1	129001-91841	BOLT, M8X85	3							
23	1	24311-000320	O-RING, 1AP32.0	1							
24	1	26106-080162	BOLT, M8X 16 PLATED	4							
25	1	26106-080162	BOLT, M8X 16 PLATED	3							
26	1	26106-080552	BOLT, M8X 55 PLATED	12							
27	1	121023-01550	COVER	1							
28	1	24341-000240	O-RING, 1AS24.0	1							
29	1	26106-060162	BOLT, M6X 16 PLATED	2							
30	1	977770-01212	GASKET, LIQUID	1							1
31	1	26306-080002	NUT, M8	3							

Remarks
(1) OPTIONAL PART.

N:Old $\frac{100}{100}$ New, Q:Old $\frac{100}{100}$ New, R:Old $\frac{100}{100}$ New, S:Old $\frac{100}{100}$ New, W:Add, Z:Discontinued, F:Interchangeable by set, K:Qty Change
Copyright (C) YANMAR CO., LTD. All Rights Reserved.

Fig.3. FLYWHEEL HOUSING & OIL SUMP



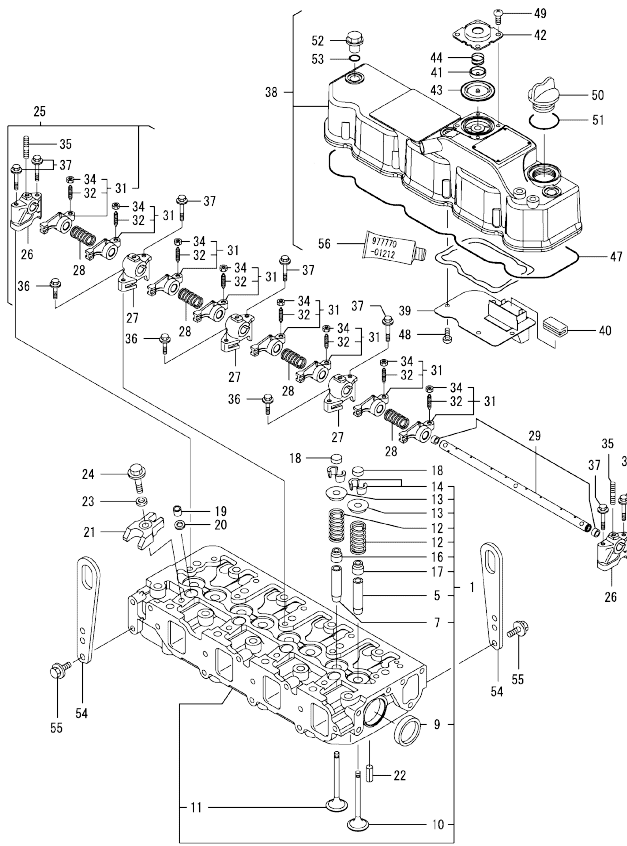
No.	Lev.	Parts No.	Description	Q'ty						I	R
				(A)	(B)	(C)	(D)	(E)	(F)		
1	1	129100-01580	PIN, M8X16	2							
2	1	129612-01600	HOUSING, FLYWHEEL	1							
3	1	119620-01750	CAP	1							
4	1	26206-100252	BOLT, M10X 25 PLATED	6							
5	1	26206-100302	BOLT, M10X 30 PLATED	4							
6	1	129400-01730	SPACER, OIL SUMP	1							
8	1	129400-01770	SUMP ASSY, OIL	1							
8-1	1	129688-01780	OIL PAN ASSY, DEEP	1							N
(A=E78885)											
9	2	119640-01640	PLUG, DRAIN M22	1							
11	2	22190-220002	WASHER, SEAL 22	1							
12	1	26106-080162	BOLT, M8X 16 PLATED	4							
13	1	26106-080252	BOLT, M8X 25 PLATED	2							
14	1	26106-080452	BOLT, M8X 45 PLATED	24							
14-1	1	26106-080452	BOLT, M8X 45 PLATED	20							K
(A=FROM 1ST)											
15	1	129100-01580	PIN, M8X16	2							
16	1	129100-01640	CASE ASSY, OIL SEAL	1							
18	2	129795-01780	SEAL, OIL	1							
19	1	129486-01670	BOLT, M8X30	6							
20	1	26106-080352	BOLT, M8X 35 PLATED	3							
21	1	97770-01212	GASKET, LIQUID	1							1
22	1	26106-080502	BOLT, M8X 50 PLATED	4							W
(A=FROM 1ST)											

Remarks
(1) OPTIONAL PART.

N:Old $\frac{100}{100}$ New, Q:Old $\frac{100}{100}$ New, R:Old $\frac{100}{100}$ New, S:Old $\frac{100}{100}$ New, W:Add, Z:Discontinued, F:Interchangeable by set, K:Q'ty Change
Copyright (C) YANMAR CO., LTD. All Rights Reserved.

OCR10-M59100 ENGINE SECTION (4TNV88-XWL)
Fig.4. CYLINDER HEAD & BONNET

OCR10-M59100 Fig.4



(A)=4TNV88-XWL
 (B)=
 (C)=

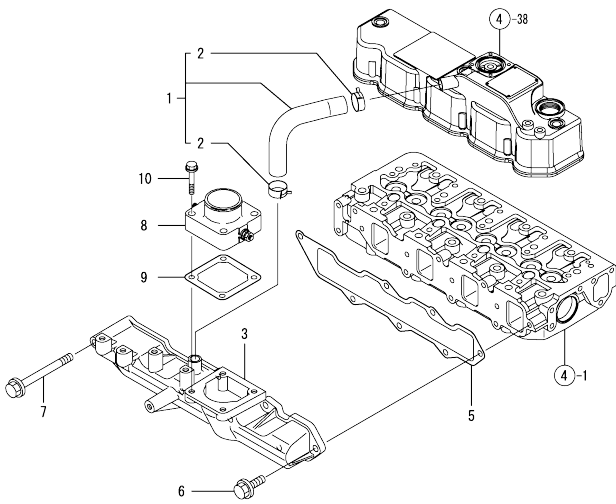
(D)=
 (E)=
 (F)=

No.	Lev.	Parts No.	Description	Q'ty						I	R
				(A)	(B)	(C)	(D)	(E)	(F)		
1	1	129602-11700	HEAD ASSY, CYLINDER	1							
5	2	120130-11860	GUIDE, VALVE	4							1
7	2	129150-11810	GUIDE, VALVE	4							1
9	2	27241-400000	PLUG, 40	2							
10	2	129005-11100	VALVE, INTAKE	4							
11	2	129100-11111	VALVE, EXHAUST	4							
12	2	129795-11120	SPRING, VALVE	8							
13	2	129795-11180	RETAINER, SPRING	8							
14	2	27310-080001	COTTER, 8	8							
16	2	121400-11340	SEAL, VALVE STEM	4							
17	2	124460-11340	SEAL, VALVE STEM	4							
18	1	129150-11370	CAP, VALVE	8							
19	1	119802-11870	PROTECTOR, NOZZLE	4							
20	1	119625-11880	SEAT, NOZZLE	4							
21	1	129004-11900	RETAINER, NOZZLE	4							
22	1	22351-060012	PIN, SPRING 6.0X12	2							
23	1	120270-54410	WASHER, INJECTOR	4							
24	1	26106-080352	BOLT, M8X 35 PLATED	4							
25	1	129601-11241	SHAFT ASSY, ROCKER	1							
26	2	119802-11260	SUPPORT, ROCKER ARM	2							
27	2	119802-11270	SUPPORT, ROCKER ARM	3							
28	2	129150-11280	SPRING	4							
29	2	129601-11251	SHAFT, ROCKER ARM	1							
31	2	129004-11650	ARM, ROCKER	8							
32	3	129150-11230	SCREW, VALVE ADJUST	8							
34	3	129150-11750	NUT, M8	8							
35	2	26226-080182	STUD, M8X 18	3							
36	1	26106-080252	BOLT, M8X 25 PLATED	3							
37	1	26106-080502	BOLT, M8X 50 PLATED	7							
38	1	129601-11350	BONNET ASSY, HEAD	1							
39	2	129004-03010	PLATE	1							
40	2	129150-03070	BAFFLE, BREATHER	1							
41	2	119802-03110	PLATE	1							
42	2	119802-03121	COVER, DIAPHRAGM	1							
43	2	119802-03130	DIAPHRAGM	1							
44	2	119802-03141	SPRING, DIAPHRAGM	1							
47	2	129601-11310	GASKET, BONNET	1							
48	2	22857-500100	SCREW, 5X10	4							
49	2	22857-500100	SCREW, 5X10	4							
50	1	124160-01751	COVER, FILLER	1							
51	1	24311-000320	O-RING, 1AP32.0	1							
52	1	124160-11360	KNOB	3							
53	1	24311-000120	O-RING, 1AP12.0	3							
54	1	129900-07900	LIFTER	2							
55	1	26106-080142	BOLT, M8X 14 PLATED	4							
56	1	977770-01212	GASKET, LIQUID	1							2

Remarks
 (1) REPAIR PART.
 (2) OPTIONAL PART.

N:Old $\frac{100}{100}$ New, Q:Old $\frac{100}{100}$ New, R:Old $\frac{100}{100}$ New, S:Old $\frac{100}{100}$ New, W:Add, Z:Discontinued, F:Interchangeable by set, K:Q'ty Change
 Copyright (C) YANMAR CO., LTD. All Rights Reserved.

Fig.5. SUCTION MANIFOLD



(A)=4TNV88-XWL
(B)=
(C)=

(D)=
(E)=
(F)=

No.	Lev.	Parts No.	Description	Q'ty					
				(A)	(B)	(C)	(D)	(E)	(F)
1	1	129005-03080	PIPE , BREATHER	1					
2	2	129410-03990	CLIP	2					
3	1	129602-12100	MANIFOLD, AIR INTAKE	1					
5	1	129407-12110	GASKET, MANIFOLD	1					
6	1	26106-080202	BOLT, M8X 20 PLATED	6					
7	1	26106-080802	BOLT, M8X 80 PLATED	1					
8	1	129120-77501	HEATER	1					
9	1	129150-77511	GASKET	1					
10	1	26106-080352	BOLT, M8X 35 PLATED	4					

Fig.6. EXHAUST MANIFOLD

(A)=4TNV88-XWL
(B)=
(C)=

(D)=
(E)=
(F)=

No.	Lev.	Parts No.	Description	Q'ty					
				(A)	(B)	(C)	(D)	(E)	(F)
1	1	129411-13100	MANIFOLD, EXHAUST	1					
2	1	129550-13110	GASKET	1					
3	1	26306-080002	NUT, M8	2					
4	1	123900-13630	BOLT, M8X80	6					
5	1	119131-18320	STUD, M8X22	4					
6	1	123900-13610	STUD, M8X80	2					
7	1	129930-13201	GASKET, SILENCER	1					

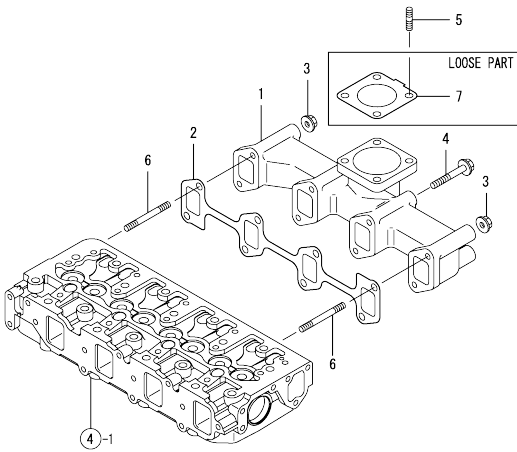
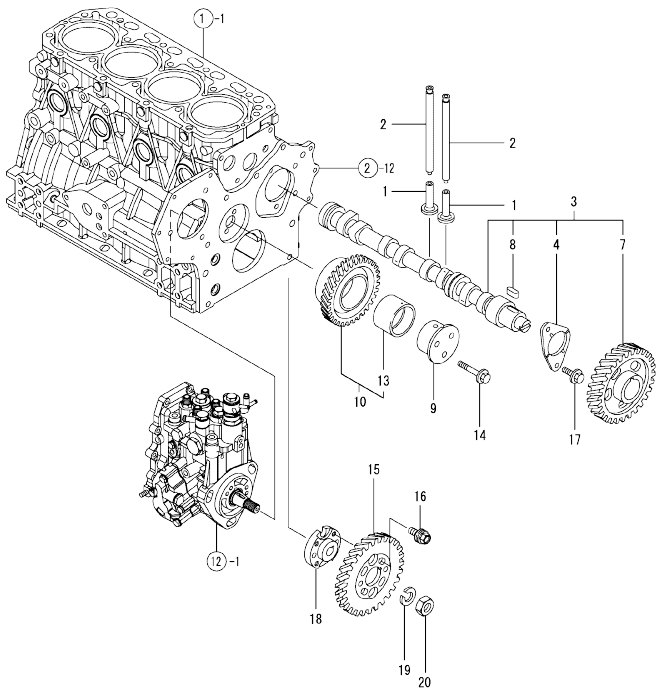


Fig.7. CAMSHAFT & DRIVING GEAR



(A)=4TNV88-XWL
(B)=
(C)=

(D)=
(E)=
(F)=

No.	Lev.	Parts No.	Description	Q'ty						I	R
				(A)	(B)	(C)	(D)	(E)	(F)		
1	1	129150-14200	TAPPET	8							
2	1	129150-14400	ROD, PUSH L=178	8							
3	1	729402-14580	CAMSHAFT ASSY	1							
4	2	129150-02450	BEARING, THRUST	1							
7	2	129150-14101	GEAR, CAMSHAFT	1							
8	2	22512-070140	KEY, 7X 14	1							
9	1	119802-25051	SHAFT, IDLE	1							
10	1	119802-25100	GEAR ASSY, IDLE	1							
13	2	119802-25070	BUSH, IDLE GEAR	1							1
14	1	26106-080402	BOLT, M8X 40 PLATED	3							
15	1	119802-25901	GEAR, PUMP	1							
16	1	129150-25301	BOLT	4							
17	1	26106-080142	BOLT, M8X 14 PLATED	2							
18	1	158552-51151	FLANGE	1							
19	1	22217-140000	WASHER, SPRING 14	1							
20	1	26776-140002	NUT, LOCK M14	1							

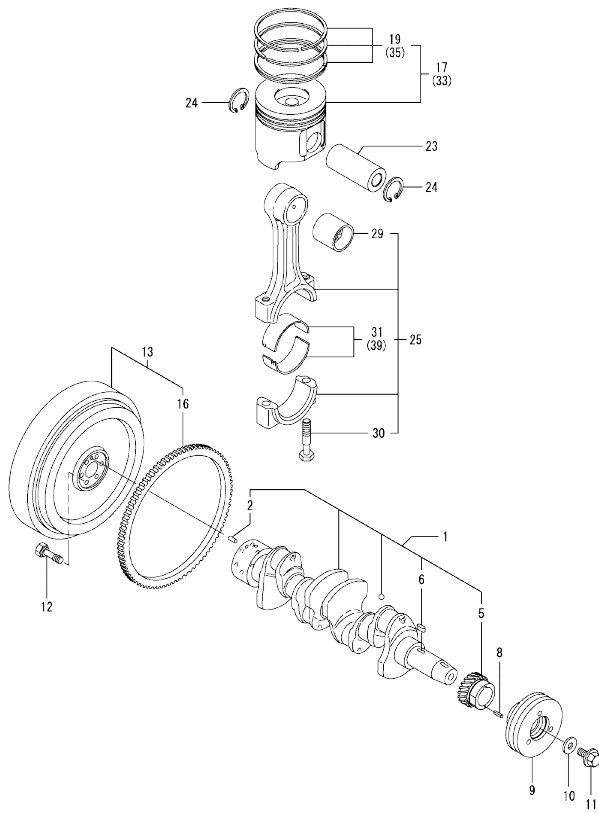
Remarks
(1) REPAIR PART.

N:Old $\frac{100}{100}$ New, Q:Old $\frac{100}{100}$ New, R:Old $\frac{100}{100}$ New, S:Old $\frac{100}{100}$ New, W:Add, Z:Discontinued, F:Interchangeable by set, K:Q'ty Change
Copyright (C) YANMAR CO., LTD. All Rights Reserved.

Fig.8. CRANKSHAFT & PISTON

(A)=4TNV88-XWL
(B)=
(C)=

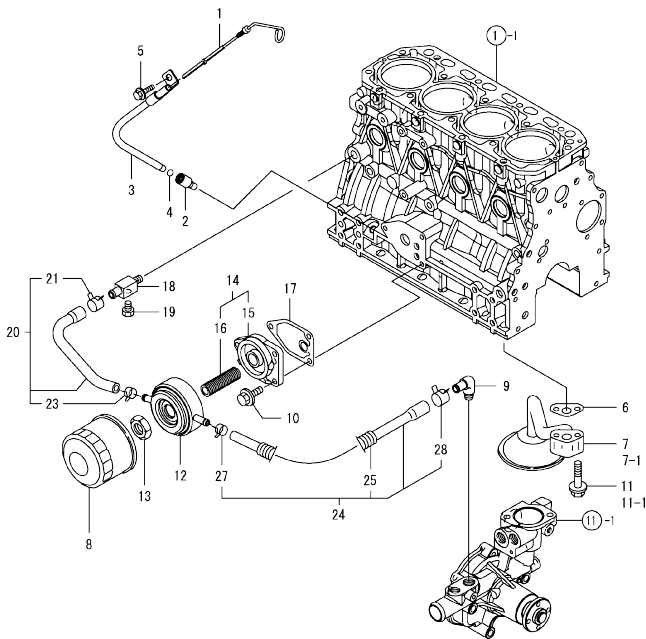
(D)=
(E)=
(F)=



No.	Lev.	Parts No.	Description	Q'ty					
				(A)	(B)	(C)	(D)	(E)	(F)
1	1	129601-21002	CRANKSHAFT ASSY	1					
2	2	129100-01580	PIN, M8X16	1					
5	2	119802-21202	GEAR, CRANKSHAFT	1					
6	2	22512-070140	KEY, 7X 14	1					
8	1	22351-030010	PIN, SPRING 3.0X10	1					
9	1	119802-21650	V-PULLEY, 110	1					
10	1	129795-21661	WASHER	1					
11	1	121850-21680	BOLT	1					
12	1	121111-21501	BOLT, FLYWHEEL	6					
13	1	129489-21590	FLYWHEEL ASSY	1					
16	2	119865-21600	GEAR, RING	1					
17	1	129005-22080	PISTON ASSY	4					
19	2	129005-22500	RING SET, PISTON	4					
23	1	129202-22300	PIN, PISTON D26 L70	4					
24	1	22252-000260	RING, 26	8					
25	1	729402-23100	ROD ASSY, CONNECTING	4					
29	2	129100-23910	BEARING, PISTON PIN	4					1
30	2	121550-23200	BOLT, CONNECTING ROD	8					
31	2	129150-23600	BEARING, CRANK PIN	4					
33	1	129005-22900	PISTON ASSY, 0.25 OS	4					2
35	2	129005-22950	RING SET, 0.25 OS	4					2
39	1	129150-23610	BEARING, 0.25 US	4					3

Remarks
(1) REPAIR PART.
(2) OVER-SIZE(O.S=0.25)PART.
(3) UNDER-SIZE(U.S=0.25)PART.

Fig.9. LUB.OIL SYSTEM



(A)=4TNV88-XWL
(B)=
(C)=

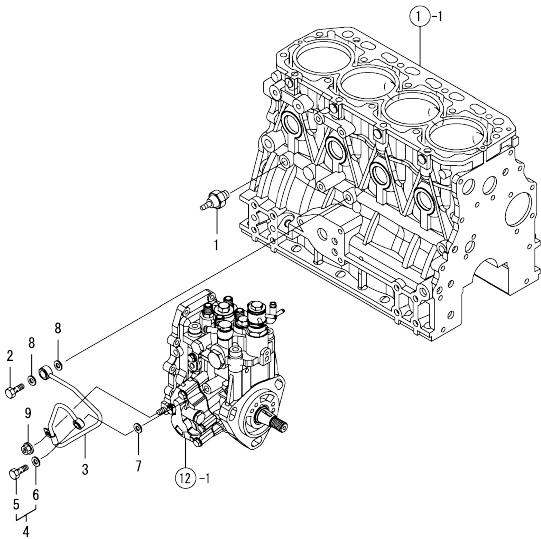
(D)=
(E)=
(F)=

No.	Lev.	Parts No.	Description	Q'ty						I	R
				(A)	(B)	(C)	(D)	(E)	(F)		
1	1	129601-34801	DIPSTICK, OIL	1							
2	1	119260-34810	GUIDE, DIPSTICK	1							
3	1	119802-34850	GUIDE, DIPSTICK	1							
4	1	24311-240100	O-RING, 1AP10A	1							
5	1	26106-080162	BOLT, M8X 16 PLATED	1							
6	1	129150-35042	GASKET	1							
7	1	129436-35091	PIPE ASSY, OIL INLET	1							
7-1	1	129436-35070	PIPE ASSY	1							S
(A=EZZZZZ)											
8	1	129150-35170	FILTER,LO	1							1
9	1	129103-49301	ELBOW, PT1/4	1							
10	1	26106-080202	BOLT, M8X 20 PLATED	3							
11	1	26106-080352	BOLT, M8X 35 PLATED	2							
11-1	1	26106-080552	BOLT, M8X 55 PLATED	2							S
(A=EZZZZZ)											
12	1	129508-33010	COOLER ASSY, OIL	1							
13	1	129417-33110	NUT	1							
14	1	129006-35100	BRACKET ASSY, FILTER	1							
15	2	119802-35110	BRACKET, FILTER	1							
16	2	129417-35150	STUD, L=67	1							
17	1	129150-35111	GASKET	1							
18	1	129006-44480	JOINT	1							
19	1	171056-49120	PLUG, DRAIN	1							
20	1	129508-49030	PIPE ASSY, WATER	1							
21	2	171008-03990	CLIP, HOSE 18.5	1							
23	2	23080-015000	CLAMP, 15	1							
24	1	129508-49040	PIPE ASSY, WATER	1							
25	2	119940-59130	TUBE, CORRUGATED	1							
27	2	23080-015000	CLAMP, 15	1							
28	2	23080-018000	CLAMP, 18	1							

Remarks
(1) REPAIR PART.

N:Old $\frac{100}{100}$ New, Q:Old $\frac{100}{100}$ New, R:Old $\frac{100}{100}$ New, S:Old $\frac{100}{100}$ New, W:Add, Z:Discontinued, F:Interchangeable by set, K:Q'ty Change
Copyright (C) YANMAR CO., LTD. All Rights Reserved.

Fig.10. LUB.OIL LINE



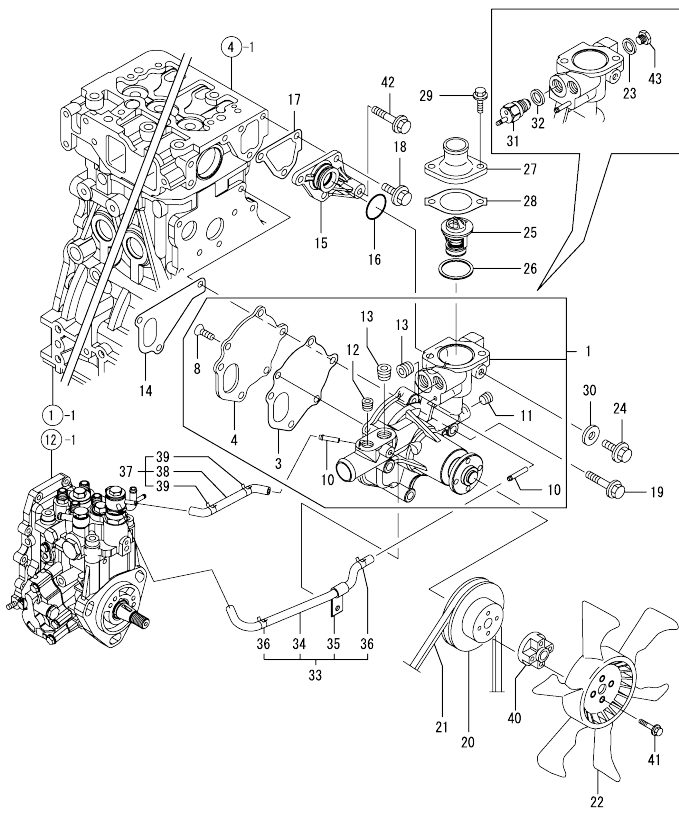
(A)=4TNV88-XWL
(B)=
(C)=

(D)=
(E)=
(F)=

No.	Lev.	Parts No.	Description	Q'ty					
				(A)	(B)	(C)	(D)	(E)	(F)
1	1	114250-39450	SWITCH, 0.5KG	1					
2	1	124160-39140	BOLT, PIPE JOINT M10	1					
3	1	119802-39450	PIPE ASSY, OIL	1					
4	1	129005-59830	BOLT ASSY, JOINT M8	1					
5	2	23857-030000	BOLT, JOINT 3	1					
6	2	22190-080002	WASHER, SEAL 6	1					
7	1	22190-080002	WASHER, SEAL 6	1					
8	1	22190-100002	WASHER, SEAL 10	2					
9	1	26366-060002	NUT, M6	1					

OCR10-M59100 ENGINE SECTION (4TNV88-XWL)
Fig.11. COOLING WATER SYSTEM

OCR10-M59100 Fig.11



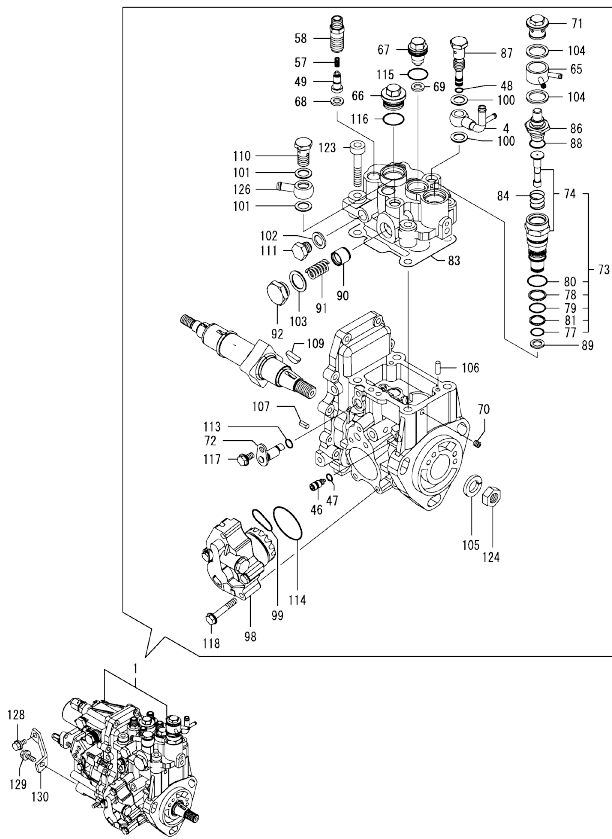
(A)=4TNV88-XWL
 (B)=
 (C)=

(D)=
 (E)=
 (F)=

No.	Lev.	Parts No.	Description	Qty						I	R
				(A)	(B)	(C)	(D)	(E)	(F)		
1	1	129004-42001	PUMP ASSY, WATER	1							
3	2	129100-42051	GASKET, WATER PUMP	1							
4	2	129100-42121	PLATE	1							
8	2	121850-42410	SCREW	3							
10	2	119802-49113	JOINT, PIPE	2							
11	2	23876-010000	PLUG, R01	1							
12	2	23876-020000	PLUG, R02	1							
13	2	129916-49740	PLUG, R03	2							
14	1	129486-42021	GASKET, WATER PUMP	1							
15	1	129004-42040	JOINT	1							
16	1	129486-42140	O-RING, G30	1							
17	1	124395-49840	GASKET	1							
18	1	26106-080162	BOLT, M8X 16 PLATED	3							
19	1	26106-080602	BOLT, M8X 60 PLATED	3							
20	1	129403-42380	V-PULLEY, D=110	1							
21	1	25132-003800	V-BELT, A38	1							
22	1	129612-44700	FAN, COOLING	1							
23	1	124465-44950	GASKET, 16	1							
24	1	26106-080122	BOLT, M8X 12 PLATED	1							
25	1	129155-49801	THERMOSTAT, 71	1							
26	1	129150-49811	GASKET, THERMOSTAT	1							
27	1	129350-49530	COVER, THERMOSTAT	1							
28	1	129795-49551	GASKET	1							
29	1	26106-080222	BOLT, M8X 22 PLATED	2							
30	1	23414-080000	GASKET, 8X1.0	1							
31	1	121250-44901	SWITCH, 110	1							
32	1	124465-44950	GASKET, 16	1							
33	1	129004-49610	PIPE ASSY, WATER	1							
34	2	129004-49711	PIPE ASSY, WATER	1							
35	2	119802-49730	RETAINER, PIPE	1							
36	2	124722-59050	CLIP, HOSE 9	2							
37	1	129004-49620	PIPE ASSY, WATER	1							
38	2	129004-49721	PIPE ASSY, WATER	1							
39	2	124722-59050	CLIP, HOSE 9	2							
40	1	121267-44760	SPACER	1							
41	1	26106-060302	BOLT, M6X 30 PLATED	4							
42	1	26106-080452	BOLT, M8X 45 PLATED	1							
43	1	121450-42450	PLUG, M16	1							

N:Old $\frac{100}{100}$ New, Q:Old $\frac{100}{100}$ New, R:Old $\frac{100}{100}$ New, S:Old $\frac{100}{100}$ New, W:Add, Z:Discontinued, F:Interchangeable by set, K:Qty Change
 Copyright (C) YANMAR CO., LTD. All Rights Reserved.

Fig.12. FUEL INJECTION PUMP

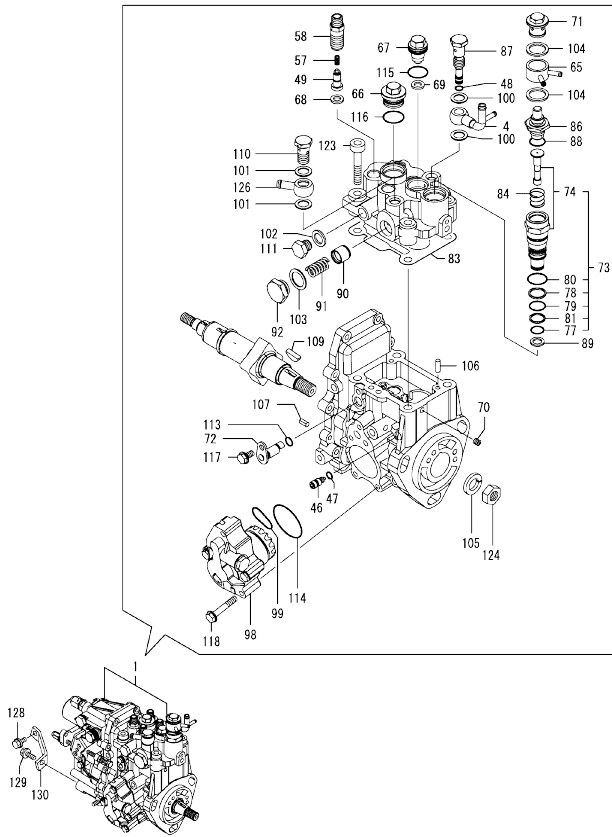


Remarks
 (1) GOVERNOR ASSY(FIG.13) IS
 INCORPORATED IN THIS FOP.CMP
 (REF.NO.1).

No.	Lev.	Parts No.	Description	Q'ty						I	R	
				(A)	(B)	(C)	(D)	(E)	(F)			
1	1	729645-51390	PUMP ASSY, INJECTION	1							1	
4	2	158552-51670	JOINT, OVER FLOW	1								
46	2	158600-51270	STOPPER, TAPPET	1								
47	2	158563-51281	O-RING, 4D S6	1								
48	2	158563-51281	O-RING, 4D S6	1								
49	2	158560-51300	VALVE ASSY, DELIVERY	4								
57	2	158563-51330	SPRING, DELIVERY	4								
58	2	158601-51340	HOLDER, DELIVERY	4								
65	2	158553-51551	JOINT	1								
66	2	158601-51550	PLUG	1								
67	2	119802-51560	PLUG, BARREL	1								
68	2	158552-51570	GASKET	4								
69	2	158552-51570	GASKET	1								
70	2	158557-51570	PLUG	1								
71	2	158601-51570	PLUG	1								
72	2	158552-51580	LIFTER	1								
73	2	119802-51590	TIMER SET	1								
74	3	119802-51600	TIMER ASSY	1								
77	3	158553-51670	O-RING, 1011	1								
78	3	119802-51680	RING, BACK UP	1								
79	3	119802-51690	O-RING	1								
80	3	24356-010200	O-RING, 4D1020	1								
81	3	24372-000150	RING, BACK UP T2P15	1								
83	2	158552-51600	GASKET	1								
84	2	158553-51630	SPRING, TIMER	1								
86	2	158553-51640	ELEMENT	1								
87	2	158601-51650	JOINT, OVER FLOW	1								
88	2	158553-51660	O-RING, P14	1								
89	2	158553-51680	GASKET	1								
90	2	158601-51770	PISTON	1								
91	2	158552-51780	SPRING	1								
92	2	158601-51790	PLUG	1								
98	2	158552-52100	PUMP ASSY, FUEL FEED	1								
99	2	158552-52310	O-RING	1								
100	2	22190-120002	WASHER, SEAL 12	2								
101	2	22190-120002	WASHER, SEAL 12	2								
102	2	22190-120002	WASHER, SEAL 12	1								
103	2	22190-180002	WASHER, SEAL 18	1								
104	2	22190-180002	WASHER, SEAL 18	2								
105	2	22217-140000	WASHER, SPRING 14	1								
106	2	22312-050140	PIN, PARALLEL M5X14	2								
107	2	22351-050010	PIN, SPRING 5.0X10	2								
109	2	119802-51090	KEY, 4X16	1								
110	2	23857-060000	BOLT, JOINT 6	1								
111	2	23887-120002	PLUG, 12	1								
113	2	24311-000070	O-RING, 1AP7.0	1								
114	2	158552-52400	O-RING, 4E S42	1								
115	2	24356-010180	O-RING, 4D1018	1								
116	2	24356-010200	O-RING, 4D1020	1								
117	2	26106-060102	BOLT, M6X 10 PLATED	1								
118	2	158553-51770	BOLT	4								

N:Old $\frac{New}{Old}$ New, Q:Old $\frac{New}{Old}$ New, R:Old $\frac{New}{Old}$ New, S:Old $\frac{New}{Old}$ New, W:Add, Z:Discontinued, F:Interchangeable by set, K:Q'ty Change
 ++ CONTINUE ++
 Copyright (C) YANMAR CO., LTD. All Rights Reserved.

Fig.12. FUEL INJECTION PUMP



(A)=4TNV88-XWL
(B)=
(C)=

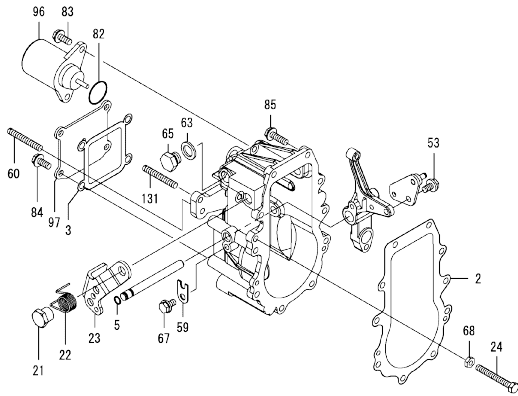
(D)=
(E)=
(F)=

No.	Lev.	Parts No.	Description	Q'ty						I	R
				(A)	(B)	(C)	(D)	(E)	(F)		
123	2	26450-080452	BOLT, M8X 45						4		
124	2	26776-140002	NUT, LOCK M14						1		
126	2	129916-59020	JOINT, PIPE 12						1		
128	1	26106-080162	BOLT, M8X 16 PLATED						1		
129	1	26106-080202	BOLT, M8X 20 PLATED						1		
130	1	129601-51250	RETAINER, PUMP						1		

Remarks
(1) GOVERNOR ASSY(FIG.13) IS
INCORPORATED IN THIS FOP.CMP
(REF.NO.1).

N:Old $\frac{100}{100}$ New, Q:Old $\frac{100}{100}$ New, R:Old $\frac{100}{100}$ New, S:Old $\frac{100}{100}$ New, W:Add, Z:Discontinued, F:Interchangeable by set, K:Qty Change
Copyright (C) YANMAR CO., LTD. All Rights Reserved.

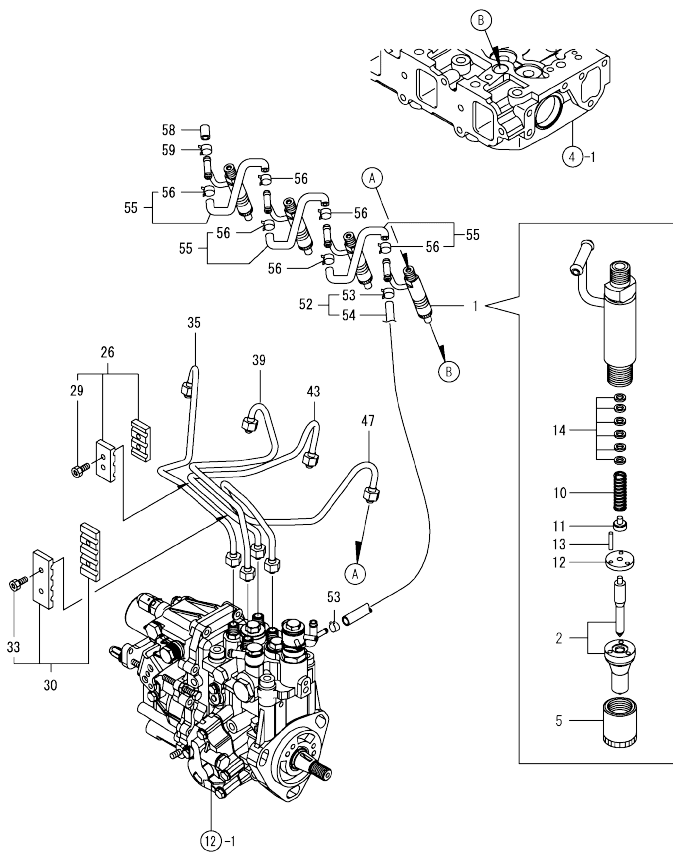
Fig.13. GOVERNOR



No.	Lev.	Parts No.	Description	Q'ty						I	R
				(A)	(B)	(C)	(D)	(E)	(F)		
2	2	158553-61050	GASKET	1							
3	2	158553-61070	GASKET	1							
5	2	129155-51280	O-RING, S6	1							
21	2	129255-61410	NUT, LOCK	1							
22	2	119807-61420	SPRING, RETURN	1							
23	2	158552-61441	LEVER, REGULATOR	1							
24	2	129155-61460	BOLT, IDLE	1							
53	2	26106-060102	BOLT, M6X 10 PLATED	1							
59	2	119660-61901	RETAINER, SHAFT	1							
60	2	171002-66830	SCREW	1							
63	2	22190-120000	WASHER, SEAL 12	1							
65	2	23887-120002	PLUG, 12	1							
67	2	26106-060102	BOLT, M6X 10 PLATED	1							
68	2	26756-060002	NUT, LOCK M6	1							
82	2	24341-000280	O-RING, 1AS28.0	1							
82-1	2	158552-61900	O-RING	1							N
		(A=EXXXXX)									
83	2	26106-060142	BOLT, M6X 14 PLATED	2							
84	2	26106-060142	BOLT, M6X 14 PLATED	4							
85	2	26106-060202	BOLT, M6X 20 PLATED	10							
96	2	119233-77932	SOLENOID, STOP	1							
97	2	129642-61060	COVER, GOVERNOR CASE	1							
131	2	171002-66830	SCREW	1							

Remarks
 * THIS FIGURE(GOVERNOR ASSY)IS
 INCORPORATED IN THE FUEL INJECTION
 PUMP ASSY(FIG.12).

Fig.14. FUEL INJECTION VALVE

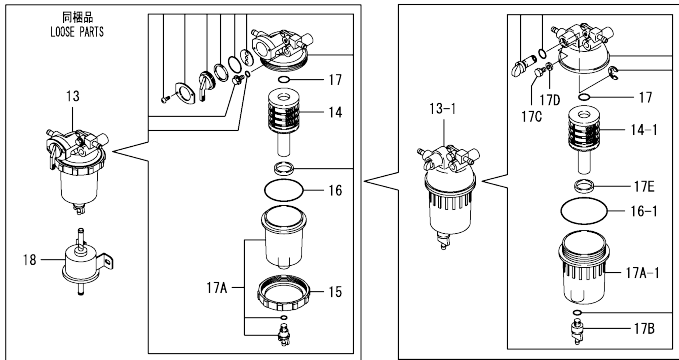
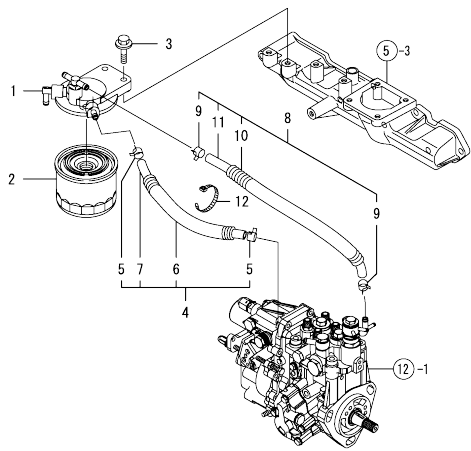


(A)=4TNV88-XWL
(B)=
(C)=

(D)=
(E)=
(F)=

No.	Lev.	Parts No.	Description	Q'ty						I	R
				(A)	(B)	(C)	(D)	(E)	(F)		
1	1	729645-53100	VALVE ASSY,INJECTION	4							
2	2	129602-53001	VALVE ASSY,INJECTION	4							
5	2	114250-53080	NUT, NOZZLE D16.95	4							
10	2	114250-53120	SPRING, NOZZLE	4							
11	2	114250-53130	SEAT, SPRING	4							
12	2	114250-53140	PLATE	4							
13	2	114250-53210	PIN	8							
14	2	114250-53400	SHIM SET	4							
26	1	129150-59120	RETAINER, PIPE	1							
29	2	129150-59131	BOLT, M4X14	2							
30	1	129550-59120	RETAINER, PIPE	1							
33	2	129150-59131	BOLT, M4X14	2							
35	1	129601-59810	PIPE ASSY, INJECTION	1							
39	1	129601-59820	PIPE ASSY, INJECTION	1							
43	1	129601-59830	PIPE ASSY, INJECTION	1							
47	1	129601-59840	PIPE ASSY, INJECTION	1							
52	1	119802-59550	PIPE ASSY, RETURN	1							
53	2	124722-59050	CLIP, HOSE 9	2							
54	2	119802-59560	PIPE, FUEL RETURN	1							
55	1	129486-59551	PIPE ASSY, RETURN	3							
56	2	124722-59050	CLIP, HOSE 9	6							
58	1	119593-59580	CAP	1							
59	1	124060-77680	CLIP, HOSE 10	1							

Fig.15. FUEL LINE

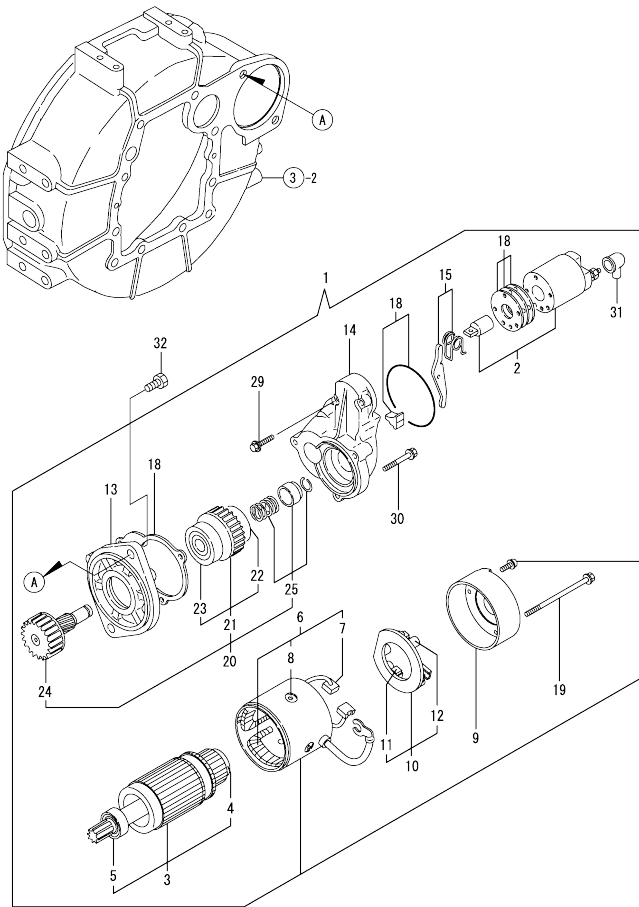


(A)=4TNV88-XWL
(B)=
(C)=

(D)=
(E)=
(F)=

No.	Lev.	Parts No.	Description	Qty						I	R	
				(A)	(B)	(C)	(D)	(E)	(F)			
1	1	129004-55610	BRACKET, FILTER	1								
2	1	119802-55800	FILTER, FUEL	1								
3	1	26106-080302	BOLT, M8X 30 PLATED	2								
4	1	129956-59010	PIPE ASSY, FUEL	1								
5	2	124766-59050	CLIP, HOSE 12	2								
6	2	129957-59101	TUBE, CORRUGATED	1								
7	2	105225-59511	PIPE, FUEL	1								
8	1	129950-59311	PIPE, FUEL	1								
9	2	124766-59050	CLIP, HOSE 12	2								
10	2	129961-59110	TUBE, CORRUGATED	1								
11	2	105025-59580	PIPE, FUEL	1								
12	1	121750-59890	BAND, 140	1								
13	1	119802-55700	SEPARATOR ASSY	1								
13-1	1	129242-55700	SEPARATOR ASSY	1								N
(A=2008.08.)												
14	2	119802-55710	ELEMENT	1								
14-1	2	129242-55730	ELEMENT	1								S
(A=2008.08.)												
15	2	129100-55690	RING, RETAINING	1								Z
(A=2008.08.)												
16	2	24321-000650	O-RING, 1AG65.0	1								
16-1	2	24321-000750	O-RING, 1AG75.0	1								S
(A=2008.08.)												
17	2	24311-000160	O-RING, 1AP16.0	1								
17A	2	119802-55730	CUP ASSY	1								W
(A=FROM 1ST)												
17A-1	2	129242-55720	CUP	1								S
(A=2008.08.)												
17B	2	129242-55740	PLUG, DRAIN	1								W
(A=2008.08.)												
17C	2	129242-55750	VALVE, AIR VENT	1								W
(A=2008.08.)												
17D	2	129242-55760	GASKET	1								W
(A=2008.08.)												
17E	2	129242-55770	FLOAT	1								W
(A=2008.08.)												
18	1	119225-52102	PUMP ASSY, FUEL FEED	1								

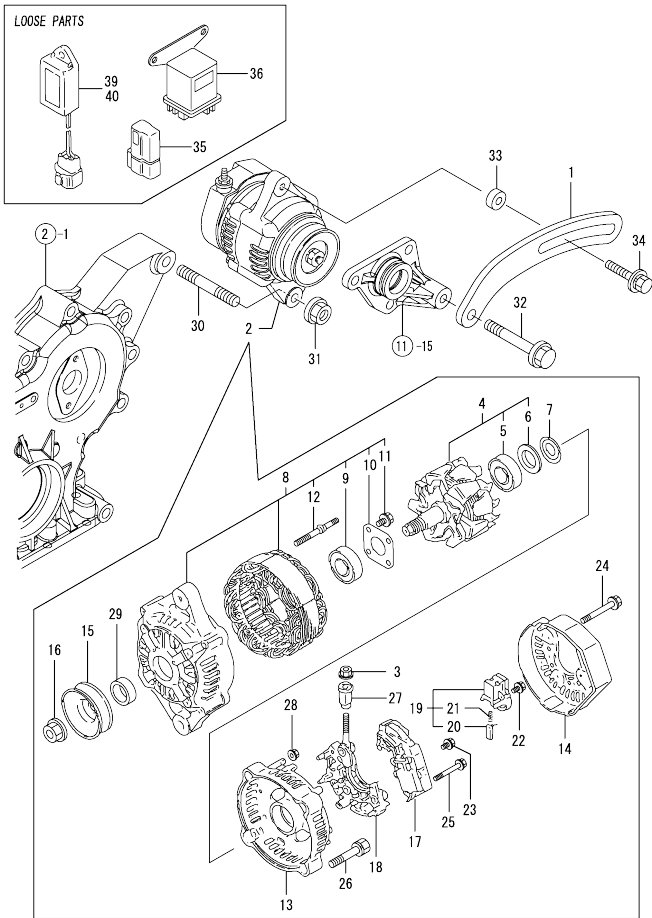
Fig.16. STARTING MOTOR



No.	Lev.	Parts No.	Description	Qty					
				(A)	(B)	(C)	(D)	(E)	(F)
1	1	129136-77011	STARTER	1					
2	2	129136-77310	SWITCH ASSY	1					
3	2	129900-77400	ARMATURE ASSY	1					
4	3	X2130350900	BEARING, BALL	1					
5	3	X2114255110	BEARING, BALL	1					
6	2	129900-77440	COIL ASSY, FIELD	1					
7	3	129900-77450	BRUSH	2					
8	3	171008-77450	SCREW	4					
9	2	129900-77460	COVER	1					
10	2	129900-77480	HOLDER ASSY, BRUSH	1					
11	3	129900-77450	BRUSH	2					
12	3	129400-77490	SPRING	4					
13	2	171008-77510	CASE, GEAR	1					
14	2	129136-77520	HOUSING	1					
15	2	171008-77540	LEVER SET	1					
18	2	129400-77571	COVER ASSY, DUST	1					
19	2	129900-77640	BOLT, THROUGH	2					
20	2	171008-77650	PINION ASSY	1					
21	3	X2114555500	CLUTCH ASSY	1					
22	4	X2114955020	BEARING, BALL	1					
23	4	X2240410100	BEARING, BALL	1					
24	3	171008-77660	SHAFT	1					
25	3	171008-77670	STOPPER SET	1					
29	2	26106-060322	BOLT, M6X 32 PLATED	2					
30	2	26106-060402	BOLT, M6X 40 PLATED	3					
31	2	171008-77750	COVER	1					
32	1	26116-120252	BOLT, M12X 25 PLATED	2					

N:Old $\frac{100}{100}$ New, Q:Old $\frac{100}{100}$ New, R:Old $\frac{100}{100}$ New, S:Old $\frac{100}{100}$ New, W:Add, Z:Discontinued, F:Interchangeable by set, K:Qty Change
 Copyright (C) YANMAR CO., LTD. All Rights Reserved.

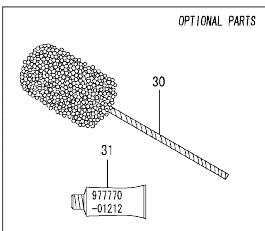
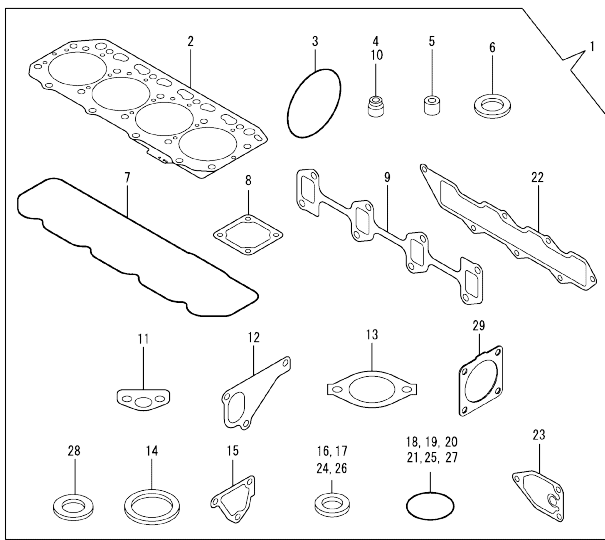
Fig.17. GENERATOR



No.	Lev.	Parts No.	Description	Q'ty					
				(A)	(B)	(C)	(D)	(E)	(F)
1	1	119802-77330	ADJUSTER	1					
2	1	129423-77200	GENERATOR, 12V-40A	1					
3	2	X9490561001	NUT	1					
4	2	119620-77380	ROTOR ASSY	1					
5	3	119620-79240	BEARING, BALL	1					
6	3	119620-79250	COVER	1					
7	2	119620-79360	WASHER, THRUST	1					
8	2	119620-77421	FRAME ASSY, DRIVE	1					
9	3	119620-79200	BEARING, BALL	1					
10	3	119620-79210	PLATE, RETAINER	1					
11	3	119620-79220	SCREW	4					
12	3	119620-79230	STUD	2					
13	2	119620-77440	FRAME ASSY	1					
14	2	129240-79300	COVER	1					
15	2	119620-77461	PULLEY	1					
16	2	119620-77471	NUT	1					
17	2	129423-77710	REGULATOR ASSY	1					
18	2	119620-79260	HOLDER	1					
19	2	119620-79270	HOLDER, BRUSH	1					
20	3	119620-77480	BRUSH ASSY	2					
21	3	119620-79280	SPRING	2					
22	2	119620-79290	SCREW	1					
23	2	119620-79300	SCREW	1					
24	2	119620-79310	BOLT	3					
25	2	119620-79320	SCREW	2					
26	2	119620-79330	BOLT	2					
27	2	119620-79340	BUSH, INSULATION	1					
28	2	119620-79350	NUT	2					
29	2	119620-77490	COLLAR	1					
30	1	129795-01900	STUD	1					
31	1	26306-100002	NUT, M10	1					
32	1	26106-080452	BOLT, M8X 45 PLATED	1					
33	1	119940-77270	SPACER, GENERATOR	1					
34	1	119802-77340	BOLT, ADJUSTER	1					
35	1	119643-66900	DIODE	1					
36	1	119650-77910	RELAY ASSY, GLOW	1					
39	1	128300-77920	TIMER	1					
40	1	129211-77920	TIMER	1					

N:Old $\frac{100}{100}$ New, Q:Old $\frac{100}{100}$ New, R:Old $\frac{100}{100}$ New, S:Old $\frac{100}{100}$ New, W:Add, Z:Discontinued, F:Interchangeable by set, K:Q'ty Change
 Copyright (C) YANMAR CO., LTD. All Rights Reserved.

Fig.18. GASKET SET



(A)=4TNV88-XWL
(B)=
(C)=

(D)=
(E)=
(F)=

No.	Lev.	Parts No.	Description	Qty						I	R	
				(A)	(B)	(C)	(D)	(E)	(F)			
1	1	729601-92840	GASKET SET	1							1	
2	2	129407-01340	GASKET, HEAD	1								
3	2	121850-51960	O-RING	1								
4	2	124460-11340	SEAL, VALVE STEM	4								
5	2	119802-11870	PROTECTOR, NOZZLE	4								
6	2	119625-11880	SEAT, NOZZLE	4								
7	2	129601-11310	GASKET, BONNET	1								
8	2	129150-77511	GASKET	1								
9	2	129550-13110	GASKET	1								
10	2	121400-11340	SEAL, VALVE STEM	4								
11	2	129150-35042	GASKET	1								
12	2	129486-42021	GASKET, WATER PUMP	1								
13	2	129795-49551	GASKET	1								
14	2	129150-49811	GASKET, THERMOSTAT	1								
15	2	124395-49840	GASKET	1								
16	2	22190-080002	WASHER, SEAL 6	2								
17	2	124465-44950	GASKET, 16	2								
18	2	24311-000120	O-RING, 1AP12.0	3								
19	2	24311-000320	O-RING, 1AP32.0	2								
20	2	24341-000240	O-RING, 1AS24.0	1								
21	2	129486-42140	O-RING, G30	1								
22	2	129407-12110	GASKET, MANIFOLD	1								
23	2	129150-35111	GASKET	1								
24	2	22190-220002	WASHER, SEAL 22	1								
25	2	119609-32040	O-RING, P16	4								
26	2	22190-100002	WASHER, SEAL 10	2								
27	2	24311-240100	O-RING, 1AP10A	1								
28	2	23414-080000	GASKET, 8X1.0	1								
29	2	129930-13201	GASKET, SILENCER	1								
30	1	129400-92430	HONE	1								1
31	1	977770-01212	GASKET, LIQUID	1								1

Remarks
(1) OPTIONAL PART.

N:Old $\frac{100}{100}$ New, Q:Old $\frac{100}{100}$ New, R:Old $\frac{100}{100}$ New, S:Old $\frac{100}{100}$ New, W:Add, Z:Discontinued, F:Interchangeable by set, K:Qty Change
Copyright (C) YANMAR CO., LTD. All Rights Reserved.

Parts No. Index

Parts No.	Fig. No.	Ref. No.
105025-59580	15	11
105225-59511	15	7
114250-39450	10	1
114250-53080	14	5
114250-53120	14	10
114250-53130	14	11
114250-53140	14	12
114250-53210	14	13
114250-53400	14	14
119131-18320	6	5
119225-52102	15	18
119233-77932	13	96
119260-34810	9	2
119593-59580	14	58
119609-32040	2	17
	18	25
119620-01750	3	3
119620-77380	17	4
119620-77421	17	8
119620-77440	17	13
119620-77461	17	15
119620-77471	17	16
119620-77480	17	20
119620-77490	17	29
119620-79200	17	9
119620-79210	17	10
119620-79220	17	11
119620-79230	17	12
119620-79240	17	5
119620-79250	17	6
119620-79260	17	18
119620-79270	17	19
119620-79280	17	21
119620-79290	17	22
119620-79300	17	23
119620-79310	17	24
119620-79320	17	25
119620-79330	17	26
119620-79340	17	27
119620-79350	17	28
119620-79360	17	7
119625-11880	4	20
	18	6
119640-01640	3	9
119643-66900	17	35
119650-77910	17	36
119660-61901	13	59
119802-01520	2	12
119802-01560	2	13
119802-03110	4	41

Parts No.	Fig. No.	Ref. No.
119802-03121	4	42
119802-03130	4	43
119802-03141	4	44
119802-11260	4	26
119802-11270	4	27
119802-11870	4	19
	18	5
119802-21202	8	5
119802-21650	8	9
119802-25051	7	9
119802-25070	7	13
119802-25100	7	10
119802-25901	7	15
119802-32070	2	8
119802-32100	2	7
119802-32111	2	18
119802-32120	2	19
119802-32130	2	20
119802-34850	9	3
119802-35110	9	15
119802-39450	10	3
119802-49113	11	10
119802-49730	11	35
119802-51090	12	109
119802-51560	12	67
119802-51590	12	73
119802-51600	12	74
119802-51680	12	78
119802-51690	12	79
119802-55700	15	13
119802-55710	15	14
119802-55730	15	17 A
119802-55800	15	2
119802-59550	14	52
119802-59560	14	54
119802-77330	17	1
119802-77340	17	34
119807-61420	13	22
119865-21600	8	16
119940-59130	9	25
119940-77270	17	33
120130-11860	4	5
120270-54410	4	23
121023-01550	2	27
121111-21501	8	12
121250-44901	11	31
121267-44760	11	40
121400-11340	4	16
	18	10
121450-42450	11	43

Parts No.	Fig. No.	Ref. No.
121550-23200	8	30
121750-59890	15	12
121850-21680	8	11
121850-42410	11	8
121850-51960	2	21
	18	3
123900-13610	6	6
123900-13630	6	4
124060-01050	1	10
124060-77680	14	59
124160-01751	2	14
	4	50
124160-01910	1	5
	15	15
124160-11360	4	52
124160-39140	10	2
124240-01871	2	15
124395-49840	11	17
	18	15
124460-11340	4	17
	18	4
124465-44950	11	23
	32	32
	18	17
124722-59050	11	36
	39	39
	14	53
	56	56
124766-59050	15	5
	9	9
128300-77920	17	39
129001-01250	1	11
129001-02930	1	25
129001-32330	2	11
129001-91841	2	22
129004-01190	1	33
129004-03010	4	39
129004-11650	4	31
129004-11900	4	21
129004-42001	11	1
129004-42040	11	15
129004-49610	11	33
129004-49620	11	37
129004-49711	11	34
129004-49721	11	38
129004-55610	15	1
129005-03080	5	1
129005-11100	4	10
129005-22080	8	17
129005-22500	8	19

Parts No.	Fig. No.	Ref. No.
129005-22900	8	33
129005-22950	8	35
129005-59830	10	4
129006-35100	9	14
129006-44480	9	18
129100-01580	3	1
	15	15
	8	2
129100-01640	3	16
129100-11111	4	11
129100-23910	8	29
129100-42051	11	3
129100-42121	11	4
129100-55690	15	15
129103-49301	9	9
129120-77501	5	8
129136-77011	16	1
129136-77310	16	2
129136-77520	16	14
129150-01200	1	31
129150-02020	1	7
129150-02450	7	4
129150-02870	1	34
129150-02930	1	28
129150-02940	1	37
129150-03070	4	40
129150-11230	4	32
129150-11280	4	28
129150-11370	4	18
129150-11750	4	34
129150-11810	4	7
129150-14101	7	7
129150-14200	7	1
129150-14400	7	2
129150-23600	8	31
129150-23610	8	39
129150-25301	7	16
129150-35042	9	6
	18	11
129150-35111	9	17
	18	23
129150-35170	9	8
129150-49811	11	26
	18	14
129150-59120	14	26
129150-59131	14	29
	33	33
129150-77511	5	9
	18	8
129155-49801	11	25

Parts No. Index

Parts No.	Fig. No.	Ref. No.
129155-51280	13	5
129155-61460	13	24
129202-22300	8	23
129211-77920	17	40
129240-79300	17	14
129242-55700	15	13 -1
129242-55720	15	17 A-1
129242-55730	15	14 -1
129242-55740	15	17 B
129242-55750	15	17 C
129242-55760	15	17 D
129242-55770	15	17 E
129255-61410	13	21
129350-49530	11	27
129400-01730	3	6
129400-01770	3	8
129400-77490	16	12
129400-77571	16	18
129400-92430	18	30
129403-42380	11	20
129407-01340	1	32
	18	2
129407-12110	5	5
	18	22
129410-03990	5	2
129411-13100	6	1
129417-33110	9	13
129417-35150	9	16
129418-32320	2	10
129423-77200	17	2
129423-77710	17	17
129436-35070	9	7 -1
129436-35091	9	7
129486-01670	3	19
129486-42021	11	14
	18	12
129486-42140	11	16
	18	21
129486-59551	14	55
129489-21590	8	13
129508-33010	9	12
129508-49030	9	20
129508-49040	9	24
129550-13110	6	2
	18	9
129550-59120	14	30
129601-11241	4	25
129601-11251	4	29
129601-11310	4	47
	18	7

Parts No.	Fig. No.	Ref. No.
129601-11350	4	38
129601-21002	8	1
129601-34801	9	1
129601-51250	12	130
129601-59810	14	35
129601-59820	14	39
129601-59830	14	43
129601-59840	14	47
129602-11700	4	1
129602-12100	5	3
129602-53001	14	2
129612-01600	3	2
129612-44700	11	22
129642-61060	13	97
129688-01780	3	8 -1
129795-01780	3	18
129795-01800	2	6
129795-01900	17	30
129795-01950	2	16
129795-02411	1	14
129795-11120	4	12
129795-11180	4	13
129795-21661	8	10
129795-49551	11	28
	18	13
129900-07900	4	54
129900-32130	2	9
129900-77400	16	3
129900-77440	16	6
129900-77450	16	7
		11
129900-77460	16	9
129900-77480	16	10
129900-77640	16	19
129916-49740	11	13
129916-59020	12	126
129930-13201	6	7
	18	29
129950-59311	15	8
129956-59010	15	4
129957-59101	15	6
129961-59110	15	10
158552-51151	7	18
158552-51570	12	68
		69
158552-51580	12	72
158552-51600	12	83
158552-51670	12	4
158552-51780	12	91
158552-52100	12	98

Parts No.	Fig. No.	Ref. No.
158552-52310	12	99
158552-52400	12	114
158552-61441	13	23
158552-61900	13	82 -1
158553-51551	12	65
158553-51630	12	84
158553-51640	12	86
158553-51660	12	88
158553-51670	12	77
158553-51680	12	89
158553-51770	12	118
158553-61050	13	2
158553-61070	13	3
158557-51570	12	70
158560-51300	12	49
158563-51281	12	47
		48
158563-51330	12	57
158600-51270	12	46
158601-51340	12	58
158601-51550	12	66
158601-51570	12	71
158601-51650	12	87
158601-51770	12	90
158601-51790	12	92
171002-66830	13	60
		131
171008-03990	9	21
171008-77450	16	8
171008-77510	16	13
171008-77540	16	15
171008-77650	16	20
171008-77660	16	24
171008-77670	16	25
171008-77750	16	31
171051-01921	1	6
171056-49120	9	19
22190-080002	10	6
		7
	18	16
22190-100002	10	8
		8
	18	26
22190-120000	13	63
22190-120002	12	100
		101
		102
22190-180002	12	103
		104
22190-220002	3	11
	18	24

Parts No.	Fig. No.	Ref. No.
22217-140000	7	19
	12	105
22252-000260	8	24
22312-050140	12	106
22351-030010	8	8
22351-050010	12	107
22351-060012	4	22
22512-070140	7	8
	8	6
22857-500100	4	48
		49
23080-015000	9	23
		27
23080-018000	9	28
23414-080000	11	30
	18	28
23857-030000	10	5
23857-060000	12	110
23876-010000	11	11
23876-020000	11	12
23876-030000	2	4
23876-040000	2	5
23887-120002	12	111
	13	65
24311-000070	12	113
24311-000120	4	53
	18	18
24311-000160	15	17
24311-000320	2	23
	4	51
	18	19
24311-240100	9	4
	18	27
24321-000650	15	16
24321-000750	15	16 -1
24341-000240	2	28
	18	20
24341-000280	13	82
24356-010180	12	115
24356-010200	12	80
		116
24372-000150	12	81
25132-003800	11	21
26106-060102	12	117
	13	53
		67
26106-060142	13	83
		84
26106-060162	2	29
26106-060202	13	85

Parts No. Index

Parts No.	Fig. No.	Ref. No.
26106-060302	11	41
26106-060322	16	29
26106-060402	16	30
26106-080122	11	24
26106-080142	4	55
	7	17
26106-080162	2	24
		25
	3	12
	9	5
	11	18
	12	128
26106-080202	5	6
	9	10
	12	129
26106-080222	11	29
26106-080252	3	13
	4	36
26106-080302	15	3
26106-080352	3	20
	4	24
	5	10
	9	11
26106-080402	7	14
26106-080452	3	14
		14 -1
	11	42
	17	32
26106-080502	3	22
	4	37
26106-080552	2	26
	9	11 -1
26106-080602	11	19
26106-080802	5	7
26116-120252	16	32
26206-100252	3	4
26206-100302	3	5
26226-080182	4	35
26306-080002	2	31
	6	3
26306-100002	17	31
26366-060002	10	9
26450-080452	12	123
26756-060002	13	68
26776-140002	7	20
	12	124
27241-120000	1	12
27241-300000	1	13
27241-400000	4	9
27310-080001	4	14

Parts No.	Fig. No.	Ref. No.
719802-01500	2	1
729402-14580	7	3
729402-23100	8	25
729601-92840	18	1
729602-01560	1	1
729645-51390	12	1
729645-53100	14	1
977770-01212	2	30
	3	21
	4	56
	18	31
X2114255110	16	5
X2114555500	16	21
X2114955020	16	22
X2130350900	16	4
X2240410100	16	23
X9490561001	17	3

Parts No.	Fig. No.	Ref. No.
-----------	----------	----------

Parts No.	Fig. No.	Ref. No.
-----------	----------	----------