

0CW10-M03500EN

# PREFACE

- 1.This Parts Catalog carries all parts incorporated in YANMAR Model 4TNV88-XNSS engine manufactured since June, 2005.
- 2.Each illustration corresponds to the parts list on the following page.
- 3.When ordering parts,clearly write down the engine model and serial number,as well as the name and number of each part in your order sheet. This will help insure reliable delivery of the parts you have ordered.

## Directions for the Parts Catalog.

1. The parts stipulated in this Parts Catalog are not necessarily standard equipped parts.
2. Parts may change without prior notice.
3. The following is an example of the Parts Catalog format.

REF.	LEV.	PARTS NO.	DESCRIPTION	Q'TY						I	R
				(A)	(B)	(C)	(D)	(E)	(F)		
1	1	729595-51390	FUEL INJECTION PUMP	1	1	1	1	1			1
1-1	1	729595-51391	FUEL INJECTION PUMP	1	1	1	1	1		N	1
		(A=E00185) (B=E00200)									
3	2	26022-060162	SCREW M 6X 16	9	9	9	9	9			
3-1	2	26022-060162	SCREW M 6X 16	4	4	4	4	4		K	
		(A=E00156) (B=E00156) (C=E00156) (D=E00156) (E=E00156)									
4	2	129470-51040	CAMSHAFT	1	1	1	1	1			
5	2	122710-51050	BEARING, ROLLER	2	2	2	2	2			
6	2	129470-51060	RETAINER	1	1	1	1	1			

Remarks
(1) BOOST COMPEMSATOR TYPE. OPTIONAL PART, TO E00155,(4JH-DT, 4JH-DTZ

### ① Ref. No.

The Ref. No. listed may not be in accordance with the illustration Ref. No.

(Ex.) Illustration No.

List Ref No.

1 1 (Before change) → 1-1 (After change)

For interchangeable symbols N, R and K, illustrations for new parts may be abbreviated.

### ② Lev. (Level)

Level indication

The numbers below indicate the level of relativity towards the main part.

1 ---- Main parts (Assembly parts)

2 ---- Sub component included in " 1 ".

3 ---- Sub component included in " 2 ".

Note) Parts that are not for sale are partially illustrated but not listed.

### ③ Interchangeability Mark

When a part change takes place, one of the following interchangeability symbols is indicated beside the part.

Symbol	Interchangeability	Contents note
N	Old $\begin{matrix} \leftarrow \text{Yes} \\ \text{No} \rightarrow \end{matrix}$ New	New Part is interchangeable for Old Part but Old Part is not interchangeable for New Part.
Q	Old $\begin{matrix} \leftarrow \text{No} \\ \text{Yes} \rightarrow \end{matrix}$ New	New Part is not interchangeable for Old Part but Old Part is interchangeable for New Part.
R	Old $\begin{matrix} \leftarrow \text{Yes} \\ \text{Yes} \rightarrow \end{matrix}$ New	New/ Old Parts are both interchangeable.
S	Old $\begin{matrix} \leftarrow \text{No} \\ \text{No} \rightarrow \end{matrix}$ New	New/ Old Parts are both not interchangeable.
W		Part newly added.
Z		Part discontinued.
F		Not interchangeable by a single part but interchangeable together with related parts.
K		Changes only for used parts quantities.

### ④ Effective Machine No.

When a part changes, the effective Machine No. will be indicated in the (A)-(F) column.

Product Symbol	Product No.	Product Symbol	Product No.
C	Clutch No. Compressor No.	F	Machine No. (Agricultural Equip.)
D	Drive No.	M	Machine No.
E	Engine No.		

Note 1) A date may follow the symbol. (Ex.) 1996.01

Note 2) "XXXXX" and "ZZZZZ" are for parts that could not be predicted or for engine models that could not be identified.

Note 3) (A=E00185) is the E (Engine Serial Number) for the column (A) model (in this case 4JH-DT) after the parts design change.

### ⑤ Remarks Mark

Figures or alphabets (symbols) are entered in the remarks column.

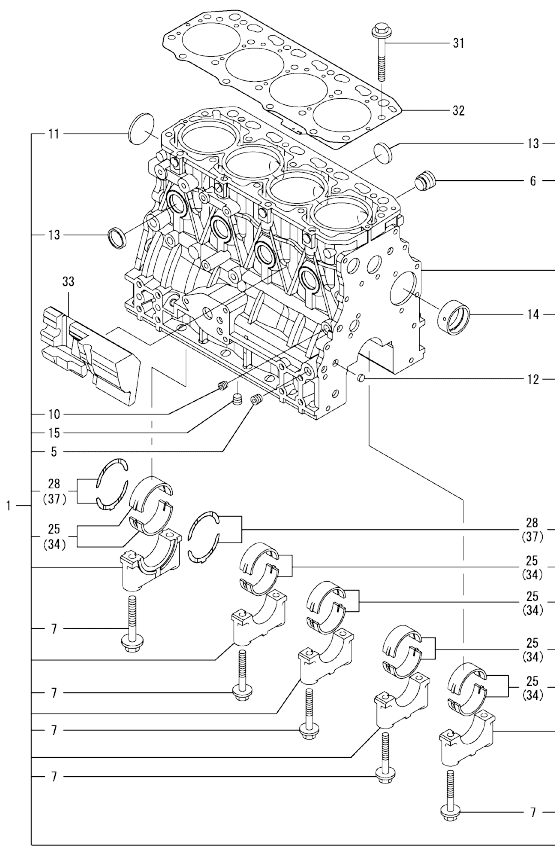
The comments (remarks) on parts that are indicated at the bottom of the illustration are the same symbols as those stated above.

## Contents

Fig. No.	Fig. Name	Fig. No.	Fig. Name
ENGINE 4TNV88-XNSS			
1.	CYLINDER BLOCK		
2.	GEAR HOUSING		
3.	FLYWHEEL HOUSING & OIL SUMP		
4.	CYLINDER HEAD & BONNET		
5.	SUCTION MANIFOLD		
6.	EXHAUST MANIFOLD		
7.	CAMSHAFT & DRIVING GEAR		
8.	CRANKSHAFT & PISTON		
9.	LUB.OIL SYSTEM		
10.	COOLING WATER SYSTEM		
11.	FUEL INJECTION PUMP		
12.	GOVERNOR		
13.	FUEL INJECTION VALVE		
14.	FUEL LINE		
15.	STARTING MOTOR		
16.	GENERATOR		
17.	GASKET SET		

OCW10-M03500

Fig.1. CYLINDER BLOCK



Remarks

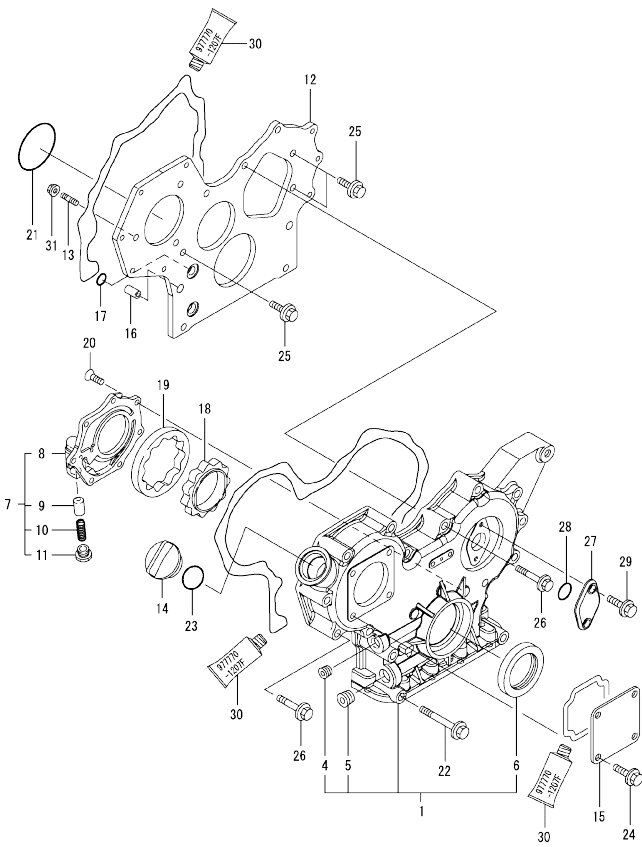
- (1) UNDER-SIZE(U.S=0.25)PART.
- (2) OVER-SIZE(O.S=0.25)PART.
- (3) REPAIR PART.

No.	Lev.	Parts No.	Description	Q'ty						I	R
				(A)	(B)	(C)	(D)	(E)	(F)		
1	1	729602-01560	BLOCK ASSY, CYLINDER	1							
5	2	124160-01910	PLUG, PT1/4	2							
6	2	171051-01921	PLUG, NPTF1	1							
7	2	129150-02020	BOLT, METAL CAP	10							
10	2	124060-01050	PLUG, PT1/8	1							
11	2	129001-01250	PLUG, 50	1							
12	2	27241-120000	PLUG, 12	2							
13	2	27241-300000	PLUG 30	8							
14	2	129795-02411	BUSH, CAMSHAFT	1							
15	2	124160-01910	PLUG, PT1/4	1							
25	2	129001-02930	BEARING, MAIN	5							3
28	2	129150-02930	BEARING, THRUST	2							
31	1	129150-01200	BOLT, HEAD	18							
32	1	129407-01340	GASKET, HEAD	1							
33	1	129004-01190	SPACER	1							
34	1	129150-02870	BEARING, 0.25 US	5							1
37	1	129150-02940	BEARING, THRUST 0.25	1							2

N:Old  $\frac{100}{100}$  New, Q:Old  $\frac{100}{100}$  New, R:Old  $\frac{100}{100}$  New, S:Old  $\frac{100}{100}$  New, W:Add, Z:Discontinued, F:Interchangeable by set, K:Qty Change  
 Copyright (C) YANMAR CO., LTD. All Rights Reserved.

OCW10-M03500

Fig.2. GEAR HOUSING



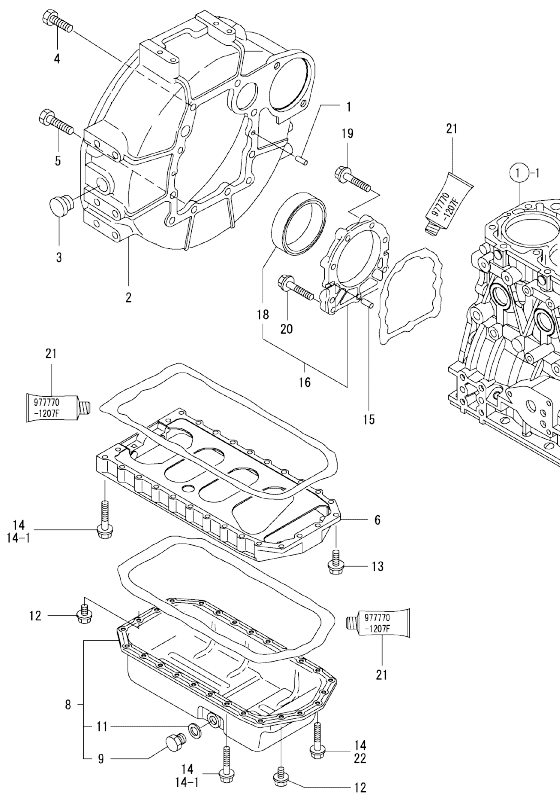
No.	Lev.	Parts No.	Description	Q'ty						I	R
				(A)	(B)	(C)	(D)	(E)	(F)		
1	1	719802-01500	CASE ASSY, GEAR	1							
4	2	23876-030000	PLUG, R03	1							
5	2	23876-040000	PLUG, R04	1							
6	2	129795-01800	SEAL, OIL	1							
7	1	119802-32100	COVER ASSY	1							
8	2	119802-32070	COVER	1							
9	2	129900-32130	VALVE, RELIEF	1							
10	2	129418-32320	SPRING	1							
11	2	129001-32330	PLUG	1							
12	1	119802-01520	FLANGE, GEAR CASE	1							
13	1	119802-01560	STUD, M8X25	3							
14	1	124160-01751	COVER, FILLER	1							
15	1	124240-01871	COVER	1							
16	1	129795-01950	PIPE, KNOCK L=18	2							
17	1	119609-32040	O-RING, P16	4							
18	1	119802-32111	ROTOR, INNER	1							
19	1	119802-32120	ROTOR, OUTER	1							
20	1	119802-32130	SCREW, M6X16	7							
21	1	121850-51960	O-RING	1							
22	1	129001-91841	BOLT, M8X85	3							
23	1	24311-000320	O-RING, 1AP32.0	1							
24	1	26106-080162	BOLT, M8X 16 PLATED	4							
25	1	26106-080162	BOLT, M8X 16 PLATED	3							
26	1	26106-080552	BOLT, M8X 55 PLATED	12							
27	1	121023-01550	COVER	1							
28	1	24341-000240	O-RING, 1AS24.0	1							
29	1	26106-060162	BOLT, M6X 16 PLATED	2							
30	1	977770-1207F	GASKET, LIQUID	1							1
31	1	26306-080002	NUT, M8	3							

Remarks  
(1) OPTIONAL PART.

N:Old  $\frac{New}{Old}$  New, Q:Old  $\frac{New}{Old}$  New, R:Old  $\frac{New}{Old}$  New, S:Old  $\frac{New}{Old}$  New, W:Add, Z:Discontinued, F:Interchangeable by set, K:Qty Change  
Copyright (C) YANMAR CO., LTD. All Rights Reserved.

OCW10-M03500

Fig.3. FLYWHEEL HOUSING & OIL SUMP



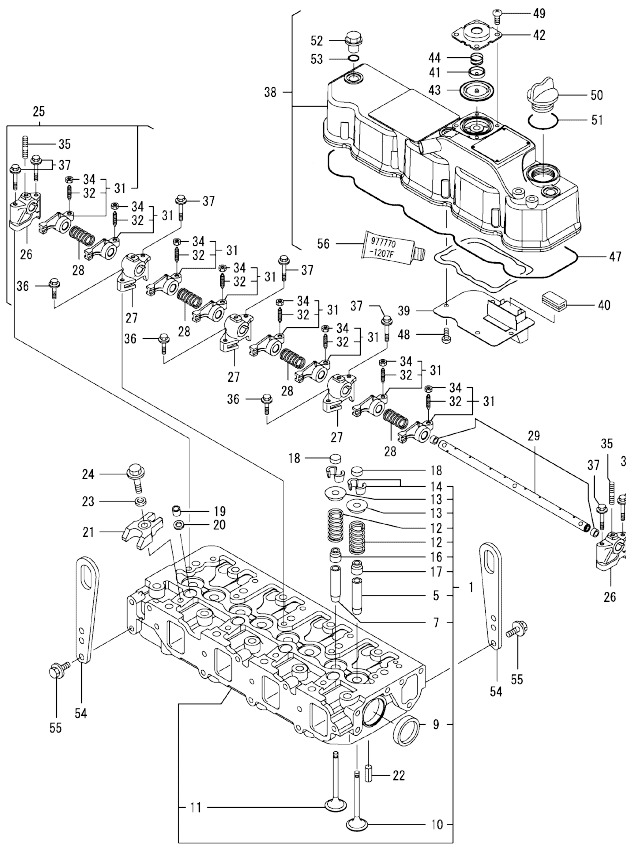
No.	Lev.	Parts No.	Description	Q'ty						I	R
				(A)	(B)	(C)	(D)	(E)	(F)		
1	1	129100-01580	PIN, M8X16	2							
2	1	129612-01600	HOUSING, FLYWHEEL	1							
3	1	119620-01750	CAP	1							
4	1	26206-100252	BOLT, M10X 25 PLATED	6							
5	1	26206-100302	BOLT, M10X 30 PLATED	4							
6	1	129400-01730	SPACER, OIL SUMP	1							
8	1	129400-01770	SUMP ASSY, OIL	1							
9	2	119640-01640	PLUG, DRAIN M22	1							
11	2	22190-220002	WASHER, SEAL 22	1							
12	1	26106-080162	BOLT, M8X 16 PLATED	4							
13	1	26106-080252	BOLT, M8X 25 PLATED	2							
14	1	26106-080452	BOLT, M8X 45 PLATED	24							
14-1	1	26106-080452	BOLT, M8X 45 PLATED	20							K
(A=FROM 1ST)											
15	1	129100-01580	PIN, M8X16	2							
16	1	129100-01640	CASE ASSY, OIL SEAL	1							
18	2	129795-01780	SEAL, OIL	1							
19	1	129486-01670	BOLT, M8X30	6							
20	1	26106-080352	BOLT, M8X 35 PLATED	3							
21	1	977770-1207F	GASKET, LIQUID	1							1
22	1	26106-080502	BOLT, M8X 50 PLATED	4							W
(A=FROM 1ST)											

Remarks  
(1) OPTIONAL PART.

N:Old  $\frac{New}{Old}$  New, Q:Old  $\frac{New}{Old}$  New, R:Old  $\frac{New}{Old}$  New, S:Old  $\frac{New}{Old}$  New, W:Add, Z:Discontinued, F:Interchangeable by set, K:Q'ty Change  
Copyright (C) YANMAR CO., LTD. All Rights Reserved.

OCW10-M03500

Fig.4. CYLINDER HEAD & BONNET



(A)=4TNV88-XNSS  
(B)=  
(C)=

(D)=  
(E)=  
(F)=

No.	Lev.	Parts No.	Description	Q'ty						I	R
				(A)	(B)	(C)	(D)	(E)	(F)		
1	1	129602-11700	HEAD ASSY, CYLINDER	1							
5	2	120130-11860	GUIDE, VALVE	4							1
7	2	129150-11810	GUIDE, VALVE	4							1
9	2	27241-400000	PLUG, 40	2							
10	2	129005-11100	VALVE, INTAKE	4							
11	2	129100-11111	VALVE, EXHAUST	4							
12	2	129795-11120	SPRING, VALVE	8							
13	2	129795-11180	RETAINER, SPRING	8							
14	2	27310-080001	COTTER, 8	8							
16	2	121400-11340	SEAL, VALVE STEM	4							
17	2	124460-11340	SEAL, VALVE STEM	4							
18	1	129150-11370	CAP, VALVE	8							
19	1	119802-11870	PROTECTOR, NOZZLE	4							
20	1	119625-11880	SEAT, NOZZLE	4							
21	1	129004-11900	RETAINER, NOZZLE	4							
22	1	22351-060012	PIN, SPRING 6.0X12	2							
23	1	120270-54410	WASHER, INJECTOR	4							
24	1	26106-080352	BOLT, M8X 35 PLATED	4							
25	1	129601-11241	SHAFT ASSY, ROCKER	1							
26	2	119802-11260	SUPPORT, ROCKER ARM	2							
27	2	119802-11270	SUPPORT, ROCKER ARM	3							
28	2	129150-11280	SPRING	4							
29	2	129601-11251	SHAFT, ROCKER ARM	1							
31	2	129004-11650	ARM, ROCKER	8							
32	3	129150-11230	SCREW, VALVE ADJUST	8							
34	3	129150-11750	NUT, M8	8							
35	2	26226-080182	STUD, M8X 18	3							
36	1	26106-080252	BOLT, M8X 25 PLATED	3							
37	1	26106-080502	BOLT, M8X 50 PLATED	7							
38	1	129601-11350	BONNET ASSY, HEAD	1							
39	2	129004-03010	PLATE	1							
40	2	129150-03070	BAFFLE, BREATHER	1							
41	2	119802-03110	PLATE	1							
42	2	119802-03121	COVER, DIAPHRAGM	1							
43	2	119802-03130	DIAPHRAGM	1							
44	2	119802-03141	SPRING, DIAPHRAGM	1							
47	2	129601-11310	GASKET, BONNET	1							
48	2	22857-500100	SCREW, 5X10	4							
49	2	22857-500100	SCREW, 5X10	4							
50	1	124160-01751	COVER, FILLER	1							
51	1	24311-000320	O-RING, 1AP32.0	1							
52	1	124160-11360	KNOB	3							
53	1	24311-000120	O-RING, 1AP12.0	3							
54	1	129900-07900	LIFTER	2							
55	1	26106-080162	BOLT, M8X 16 PLATED	4							
56	1	977770-1207F	GASKET, LIQUID	1							2

Remarks

- (1) REPAIR PART.
- (2) OPTIONAL PART.

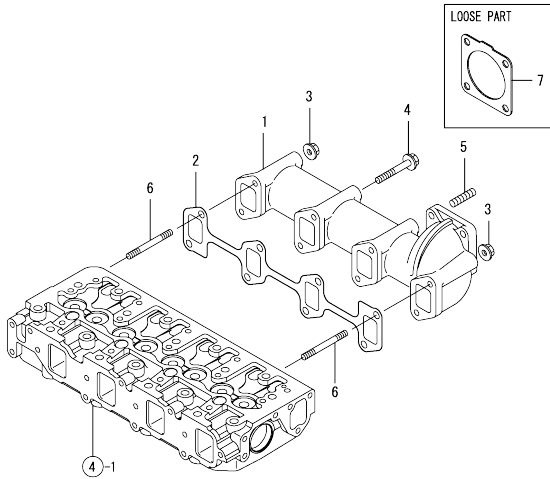
N:Old  $\frac{100}{100}$  New, Q:Old  $\frac{100}{100}$  New, R:Old  $\frac{100}{100}$  New, S:Old  $\frac{100}{100}$  New, W:Add, Z:Discontinued, F:Interchangeable by set, K:Q'ty Change  
Copyright (C) YANMAR CO., LTD. All Rights Reserved.





OCW10-M03500

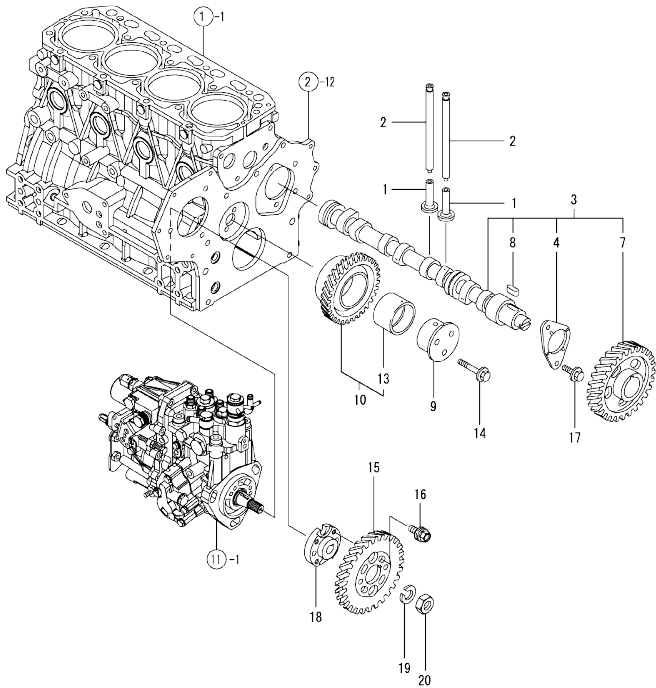
Fig.6. EXHAUST MANIFOLD



No.	Lev.	Parts No.	Description	Q'ty					
				(A)	(B)	(C)	(D)	(E)	(F)
1	1	129400-13101	MANIFOLD, EXHAUST	1					
2	1	129550-13110	GASKET	1					
3	1	26306-080002	NUT, M8	2					
4	1	123900-13630	BOLT, M8X80	6					
5	1	119131-18320	STUD, M8X22	4					
6	1	123900-13610	STUD, M8X80	2					
7	1	129930-13201	GASKET, SILENCER	1					

OCW10-M03500

Fig.7. CAMSHAFT & DRIVING GEAR



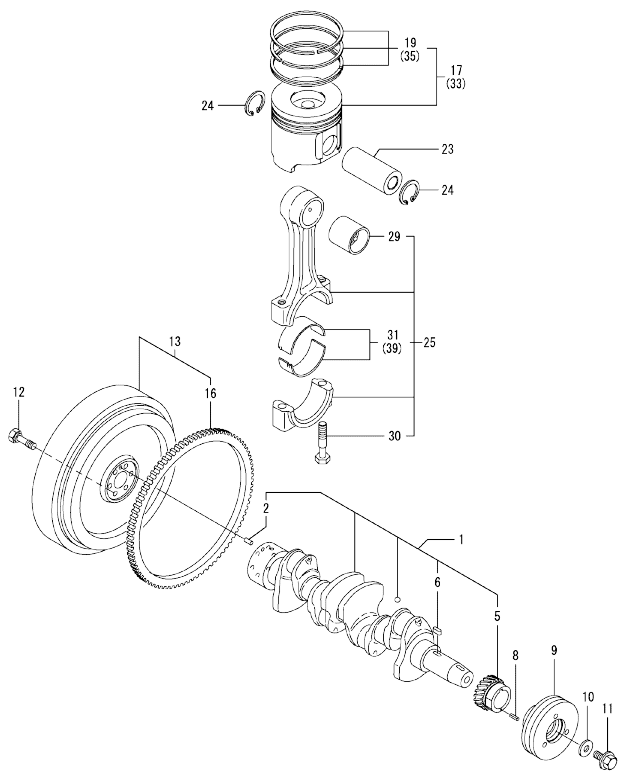
No.	Lev.	Parts No.	Description	Q'ty						I	R
				(A)	(B)	(C)	(D)	(E)	(F)		
1	1	129150-14200	TAPPET	8							
2	1	129150-14400	ROD, PUSH L=178	8							
3	1	729402-14580	CAMSHAFT ASSY	1							
4	2	129150-02450	BEARING, THRUST	1							
7	2	129150-14101	GEAR, CAMSHAFT	1							
8	2	22512-070140	KEY, 7X 14	1							
9	1	119802-25051	SHAFT, IDLE	1							
10	1	119802-25100	GEAR ASSY, IDLE	1							
13	2	119802-25070	BUSH, IDLE GEAR	1							1
14	1	26106-080402	BOLT, M8X 40 PLATED	3							
15	1	119802-25901	GEAR, PUMP	1							
16	1	129150-25301	BOLT	4							
17	1	26106-080142	BOLT, M8X 14 PLATED	2							
18	1	158552-51151	FLANGE	1							
19	1	22217-140000	WASHER, SPRING 14	1							
20	1	26776-140002	NUT, LOCK M14	1							

Remarks  
(1) REPAIR PART.

N:Old  $\frac{New}{Old}$  New, Q:Old  $\frac{New}{Old}$  New, R:Old  $\frac{New}{Old}$  New, S:Old  $\frac{New}{Old}$  New, W:Add, Z:Discontinued, F:Interchangeable by set, K:Q'ty Change  
Copyright (C) YANMAR CO., LTD. All Rights Reserved.

OCW10-M03500

Fig.8. CRANKSHAFT & PISTON



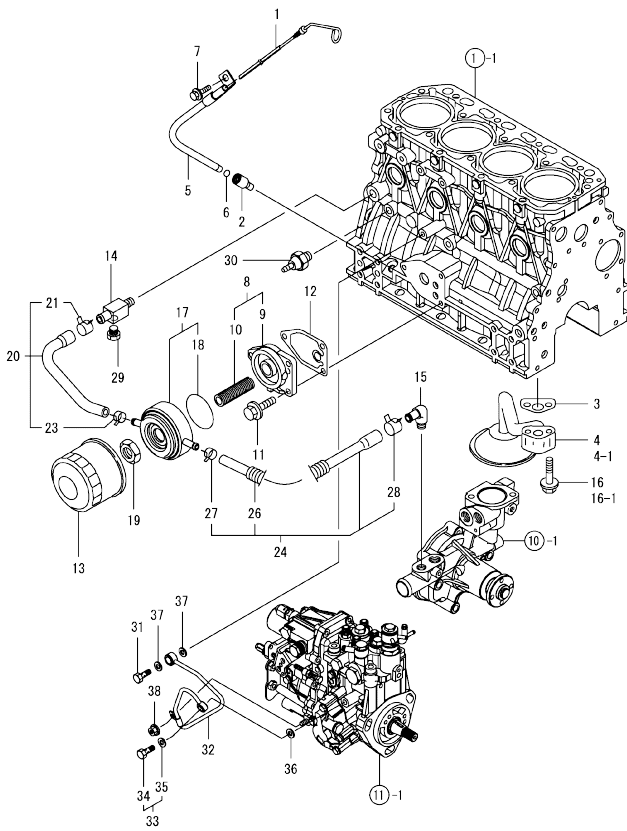
No.	Lev.	Parts No.	Description	Q'ty						I	R
				(A)	(B)	(C)	(D)	(E)	(F)		
1	1	129601-21002	CRANKSHAFT ASSY	1							
2	2	129100-01580	PIN, M8X16	1							
5	2	119802-21202	GEAR, CRANKSHAFT	1							
6	2	22512-070140	KEY, 7X 14	1							
8	1	22351-030010	PIN, SPRING 3.0X10	1							
9	1	119802-21650	V-PULLEY, 110	1							
10	1	129795-21661	WASHER	1							
11	1	121850-21680	BOLT	1							
12	1	121111-21501	BOLT, FLYWHEEL	6							
13	1	129489-21590	FLYWHEEL ASSY	1							
16	2	119865-21600	GEAR, RING	1							
17	1	129005-22080	PISTON ASSY	4							
19	2	129005-22500	RING SET, PISTON	4							
23	1	129202-22300	PIN, PISTON D26 L70	4							
24	1	22252-000260	RING, 26	8							
25	1	729402-23100	ROD ASSY, CONNECTING	4							
29	2	129100-23910	BEARING, PISTON PIN	4							1
30	2	121550-23200	BOLT, CONNECTING ROD	8							
31	2	129150-23600	BEARING, CRANK PIN	4							
33	1	129005-22900	PISTON ASSY, 0.25 OS	4							2
35	2	129005-22950	RING SET, 0.25 OS	4							2
39	1	129150-23610	BEARING, 0.25 US	4							3

Remarks  
 (1) REPAIR PART.  
 (2) OVER-SIZE(O.S=0.25)PART.  
 (3) UNDER-SIZE(U.S=0.25)PART.

N:Old  $\frac{New}{100}$  New, Q:Old  $\frac{New}{100}$  New, R:Old  $\frac{New}{100}$  New, S:Old  $\frac{New}{100}$  New, W:Add, Z:Discontinued, F:Interchangeable by set, K:Qty Change  
 Copyright (C) YANMAR CO., LTD. All Rights Reserved.

OCW10-M03500

Fig.9. LUB.OIL SYSTEM



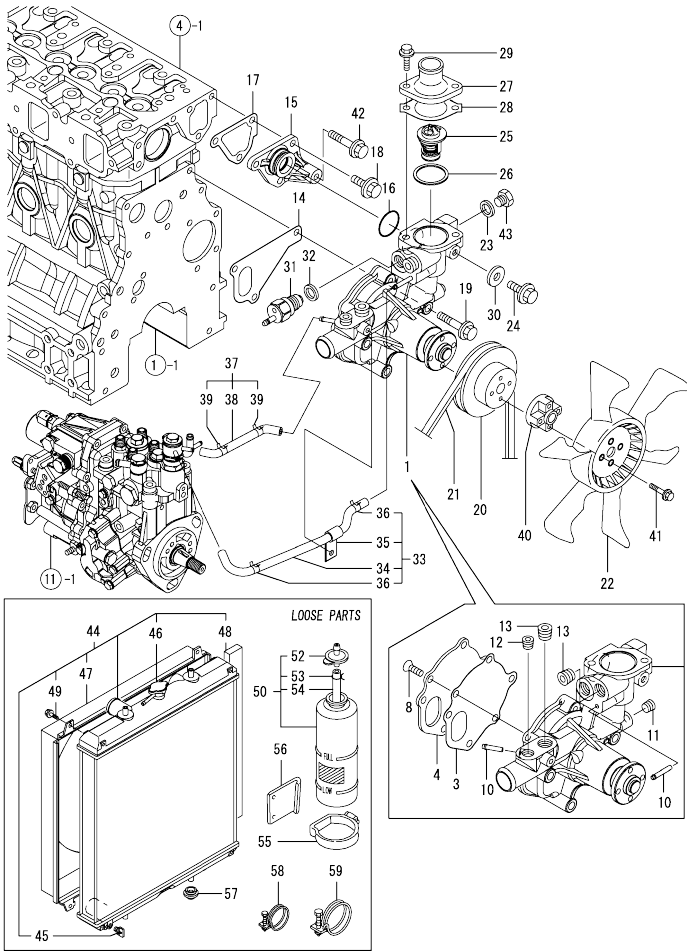
No.	Lev.	Parts No.	Description	Q'ty						I	R
				(A)	(B)	(C)	(D)	(E)	(F)		
1	1	129601-34801	DIPSTICK, OIL	1							
2	1	119260-34810	GUIDE, DIPSTICK	1							
3	1	129150-35042	GASKET	1							
4	1	129436-35091	PIPE ASSY, OIL INLET	1							
4-1	1	129436-35070	PIPE ASSY, LUB. OIL	1							S
(A=EZZZZZ)											
5	1	119802-34850	GUIDE, DIPSTICK	1							
6	1	24311-240100	O-RING, 1AP10A	1							
7	1	26106-080162	BOLT, M8X 16 PLATED	1							
8	1	129006-35100	BRACKET ASSY, FILTER	1							
9	2	119802-35110	BRACKET, FILTER	1							
10	2	129417-35150	STUD, L=67	1							
11	1	26106-080202	BOLT, M8X 20 PLATED	3							
12	1	129150-35111	GASKET	1							
13	1	129150-35153	FILTER 80X80L	1							1
14	1	129006-44480	JOINT	1							
15	1	129103-49301	ELBOW, PT1/4	1							
16	1	26106-080352	BOLT, M8X 35 PLATED	2							
16-1	1	26106-080552	BOLT, M8X 55 PLATED	2							S
(A=EZZZZZ)											
17	1	129508-33010	COOLER ASSY, OIL	1							
18	2	129508-33050	O-RING	1							
19	1	129417-33110	NUT	1							
20	1	129508-49030	PIPE ASSY, WATER	1							
21	2	171008-03990	CLIP, HOSE 18.5	1							
23	2	23080-015000	CLAMP, 15	1							
24	1	129508-49040	PIPE ASSY, WATER	1							
26	2	119940-59130	TUBE, CORRUGATED	1							
27	2	23080-015000	CLAMP, 15	1							
28	2	23080-018000	CLAMP, 18	1							
29	1	171056-49120	PLUG, DRAIN	1							
30	1	114250-39450	SWITCH, 0.5KG	1							
31	1	124160-39140	BOLT, PIPE JOINT M10	1							
32	1	119802-39450	PIPE ASSY, OIL	1							
33	1	129005-59830	BOLT ASSY, JOINT M8	1							
34	2	23857-030000	BOLT, JOINT 3	1							
35	2	22190-080002	WASHER, SEAL 6	1							
36	1	22190-080002	WASHER, SEAL 6	1							
37	1	22190-100002	WASHER, SEAL 10	2							
38	1	26366-060002	NUT, M6	1							

Remarks  
(1) REPAIR PART.

N:Old  $\frac{100}{100}$  New, Q:Old  $\frac{100}{100}$  New, R:Old  $\frac{100}{100}$  New, S:Old  $\frac{100}{100}$  New, W:Add, Z:Discontinued, F:Interchangeable by set, K:Qty Change  
Copyright (C) YANMAR CO., LTD. All Rights Reserved.

OCW10-M03500

Fig.10. COOLING WATER SYSTEM

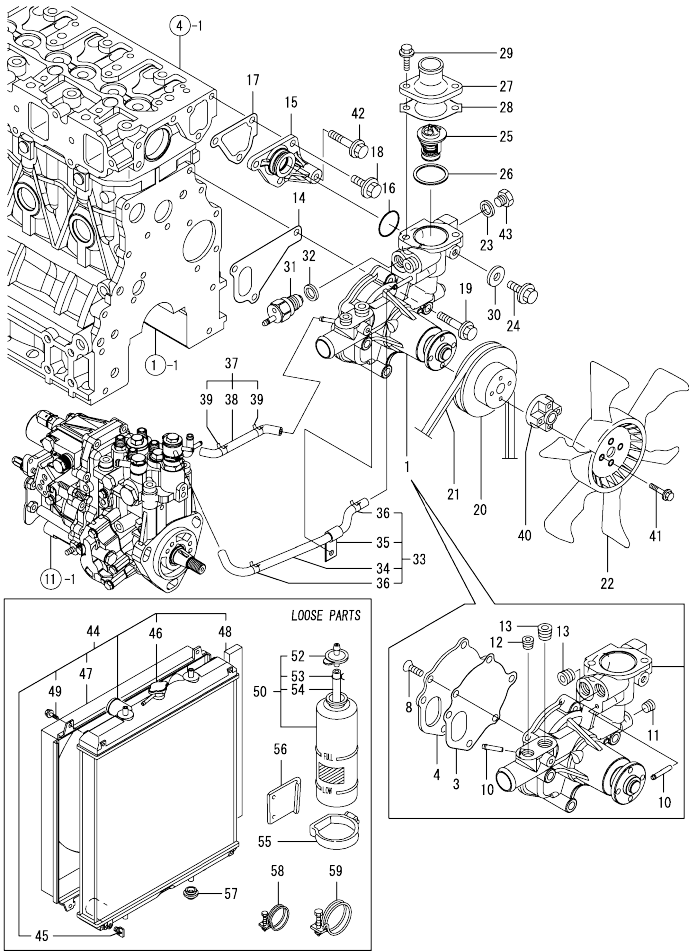


No.	Lev.	Parts No.	Description	Q'ty						I	R
				(A)	(B)	(C)	(D)	(E)	(F)		
1	1	129004-42001	PUMP ASSY, WATER	1							
3	2	129100-42051	GASKET, WATER PUMP	1							
4	2	129100-42121	PLATE	1							
8	2	121850-42410	SCREW	3							
10	2	119802-49113	JOINT, PIPE	2							
11	2	23876-010000	PLUG, R01	1							
12	2	23876-020000	PLUG, R02	1							
13	2	129916-49740	PLUG, R03	2							
14	1	129486-42021	GASKET, WATER PUMP	1							
15	1	129004-42040	JOINT	1							
16	1	129486-42140	O-RING, G30	1							
17	1	124395-49840	GASKET	1							
18	1	26106-080162	BOLT, M8X 16 PLATED	3							
19	1	26106-080602	BOLT, M8X 60 PLATED	3							
20	1	129403-42380	V-PULLEY, D=110	1							
21	1	25132-003800	V-BELT, A38	1							
22	1	129612-44700	FAN, COOLING	1							
23	1	124465-44950	GASKET, 16	1							
24	1	26106-080122	BOLT, M8X 12 PLATED	1							
25	1	129155-49801	THERMOSTAT, 71	1							
26	1	129150-49811	GASKET, THERMOSTAT	1							
27	1	129350-49530	COVER, THERMOSTAT	1							
28	1	129795-49551	GASKET	1							
29	1	26106-080222	BOLT, M8X 22 PLATED	2							
30	1	23414-080000	GASKET, 8X1.0	1							
31	1	121250-44901	SWITCH, 110	1							
32	1	124465-44950	GASKET, 16	1							
33	1	129004-49610	PIPE ASSY, WATER	1							
34	2	129004-49711	PIPE ASSY, WATER	1							
35	2	119802-49730	RETAINER, PIPE	1							
36	2	124722-59050	CLIP, HOSE 9	2							
37	1	129004-49620	PIPE ASSY, WATER	1							
38	2	129004-49721	PIPE ASSY, WATER	1							
39	2	124722-59050	CLIP, HOSE 9	2							
40	1	121267-44760	SPACER	1							
41	1	26106-060302	BOLT, M6X 30 PLATED	4							
42	1	26106-080452	BOLT, M8X 45 PLATED	1							
43	1	121450-42450	PLUG, M16	1							
44	1	129940-44500	RADIATOR ASSY	1							
45	2	129508-44550	COCK ASSY	1							
46	2	129107-44590	CAP, RADIATOR	1							
47	2	129907-44600	SHROUD	1							
48	2	129907-44610	GASKET	2							
49	2	26014-060122	BOLT, M6X 12	4							
50	1	121252-44510	TANK ASSY, SUB	1							
52	2	121450-44530	CAP	1							
53	2	124450-44560	RETAINER	1							
54	2	23061-070230	PIPE, 7X 230	1							
55	1	124450-44550	BAND	1							
56	1	121256-44600	BRACKET, SUB TANK	1							
57	1	119255-44660	ABSORBER	4							

N:Old  $\frac{New}{Old}$  New, Q:Old  $\frac{New}{Old}$  New, R:Old  $\frac{New}{Old}$  New, S:Old  $\frac{New}{Old}$  New, W:Add, Z:Discontinued, F:Interchangeable by set, K:Q'ty Change  
 ++ CONTINUE ++  
 Copyright (C) YANMAR CO., LTD. All Rights Reserved.

OCW10-M03500

Fig.10. COOLING WATER SYSTEM

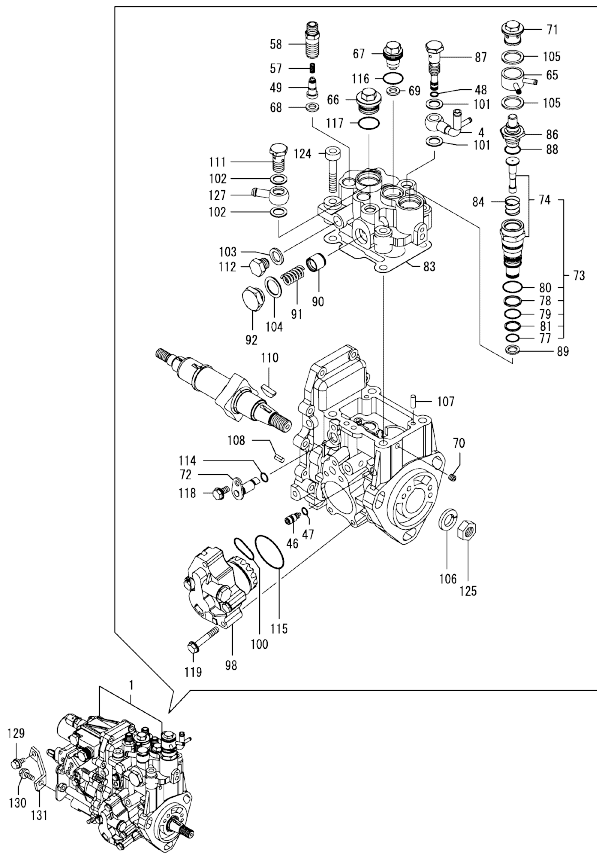


No.	Lev.	Parts No.	Description	Q'ty						I	R
				(A)	(B)	(C)	(D)	(E)	(F)		
58	1	23010-038000	CLAMP, 38	2							
59	1	23010-044000	CLAMP, 44	2							

N:Old  $\frac{100}{100}$  New, Q:Old  $\frac{100}{100}$  New, R:Old  $\frac{100}{100}$  New, S:Old  $\frac{100}{100}$  New, W:Add, Z:Discontinued, F:Interchangeable by set, K:Q'ty Change  
 Copyright (C) YANMAR CO., LTD. All Rights Reserved.

OCW10-M03500

Fig.11. FUEL INJECTION PUMP



Remarks  
 (1) GOVERNOR ASSY(FIG.12) IS  
 INCORPORATED IN THIS FOP.CMP  
 (REF.NO.1).

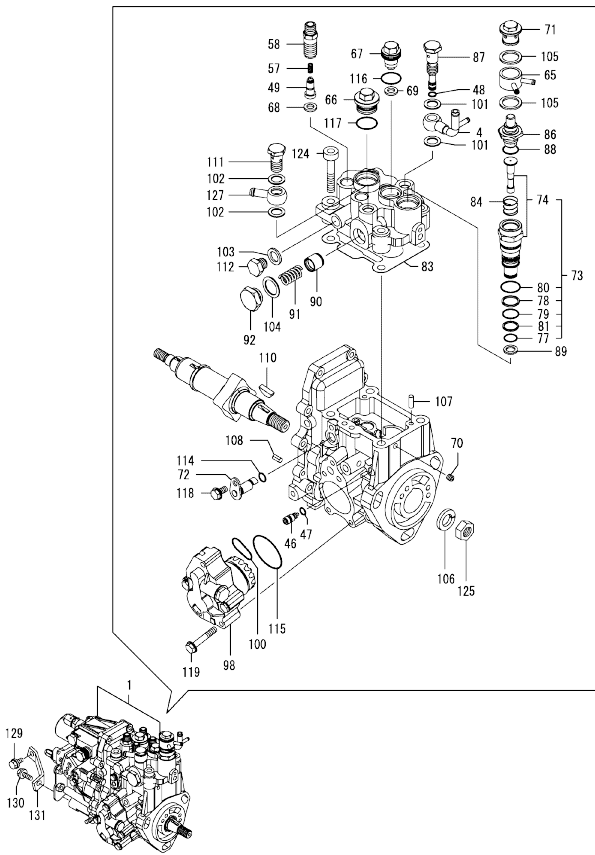
No.	Lev.	Parts No.	Description	Q'ty						I	R
				(A)	(B)	(C)	(D)	(E)	(F)		
1	1	729645-51360	PUMP ASSY, INJECTION	1							1
4	2	158552-51670	JOINT, OVER FLOW	1							
46	2	158600-51270	STOPPER, TAPPET	1							
47	2	158563-51281	O-RING, 4D S6	1							
48	2	158563-51281	O-RING, 4D S6	1							
49	2	158560-51300	VALVE ASSY, DELIVERY	4							
57	2	158563-51330	SPRING, DELIVERY	4							
58	2	158601-51340	HOLDER, DELIVERY	4							
65	2	158553-51551	JOINT	1							
66	2	158601-51550	PLUG	1							
67	2	119802-51560	PLUG, BARREL	1							
68	2	158552-51570	GASKET	4							
69	2	158552-51570	GASKET	1							
70	2	158557-51570	PLUG	1							
71	2	158601-51570	PLUG	1							
72	2	158552-51580	LIFTER	1							
73	2	119802-51590	TIMER SET	1							
74	3	119802-51600	TIMER ASSY	1							
77	3	158553-51670	O-RING, 1011	1							
78	3	119802-51680	RING, BACK UP	1							
79	3	119802-51690	O-RING	1							
80	3	24356-010200	O-RING, 4D1020	1							
81	3	24372-000150	RING, BACK UP T2P15	1							
83	2	158552-51600	GASKET	1							
84	2	158553-51630	SPRING, TIMER	1							
86	2	158553-51640	ELEMENT	1							
87	2	158601-51650	JOINT, OVER FLOW	1							
88	2	158553-51660	O-RING, P14	1							
89	2	158553-51680	GASKET	1							
90	2	158601-51770	PISTON	1							
91	2	158552-51780	SPRING	1							
92	2	158601-51790	PLUG	1							
98	2	158552-52100	PUMP ASSY, FUEL FEED	1							
100	2	158552-52310	O-RING	1							
101	2	22190-120002	WASHER, SEAL 12	2							
102	2	22190-120002	WASHER, SEAL 12	2							
103	2	22190-120002	WASHER, SEAL 12	1							
104	2	22190-180002	WASHER, SEAL 18	1							
105	2	22190-180002	WASHER, SEAL 18	2							
106	2	22217-140000	WASHER, SPRING 14	1							
107	2	22312-050140	PIN, PARALLEL M5X14	2							
108	2	22351-050010	PIN, SPRING 5.0X10	2							
110	2	119802-51090	KEY, 4X16	1							
111	2	23857-060000	BOLT, JOINT 6	1							
112	2	23887-120002	PLUG, 12	1							
114	2	24311-000070	O-RING, 1AP7.0	1							
115	2	158552-52400	O-RING, 4E S42	1							
116	2	24356-010180	O-RING, 4D1018	1							
117	2	24356-010200	O-RING, 4D1020	1							
118	2	26106-060102	BOLT, M6X 10 PLATED	1							
119	2	158553-51770	BOLT	4							

N:Old  $\frac{New}{Old}$  New, Q:Old  $\frac{New}{Old}$  New, R:Old  $\frac{New}{Old}$  New, S:Old  $\frac{New}{Old}$  New, W:Add, Z:Discontinued, F:Interchangeable by set, K:Q'ty Change  
 ++ CONTINUE ++  
 Copyright (C) YANMAR CO., LTD. All Rights Reserved.



OCW10-M03500

Fig.11. FUEL INJECTION PUMP



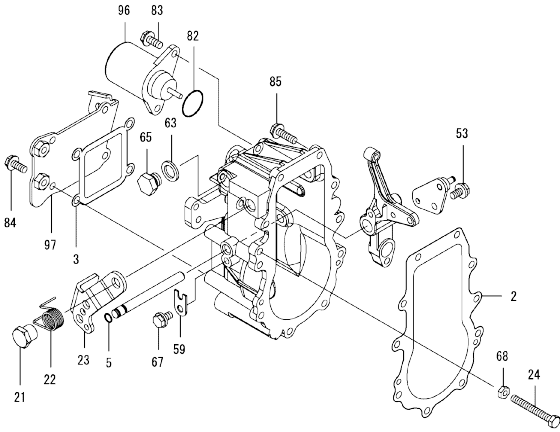
No.	Lev.	Parts No.	Description	Q'ty						I	R
				(A)	(B)	(C)	(D)	(E)	(F)		
124	2	26450-080452	BOLT, M8X 45	4							
125	2	26776-140002	NUT, LOCK M14	1							
127	2	129916-59020	JOINT, PIPE 12	1							
129	1	26106-080162	BOLT, M8X 16 PLATED	1							
130	1	26106-080202	BOLT, M8X 20 PLATED	1							
131	1	129601-51250	RETAINER, PUMP	1							

Remarks  
 (1) GOVERNOR ASSY(FIG.12) IS  
 INCORPORATED IN THIS FOP.CMP  
 (REF.NO.1).

N:Old  $\frac{100}{100}$  New, Q:Old  $\frac{100}{100}$  New, R:Old  $\frac{100}{100}$  New, S:Old  $\frac{100}{100}$  New, W:Add, Z:Discontinued, F:Interchangeable by set, K:Q'ty Change  
 Copyright (C) YANMAR CO., LTD. All Rights Reserved.

OCW10-M03500

Fig.12. GOVERNOR



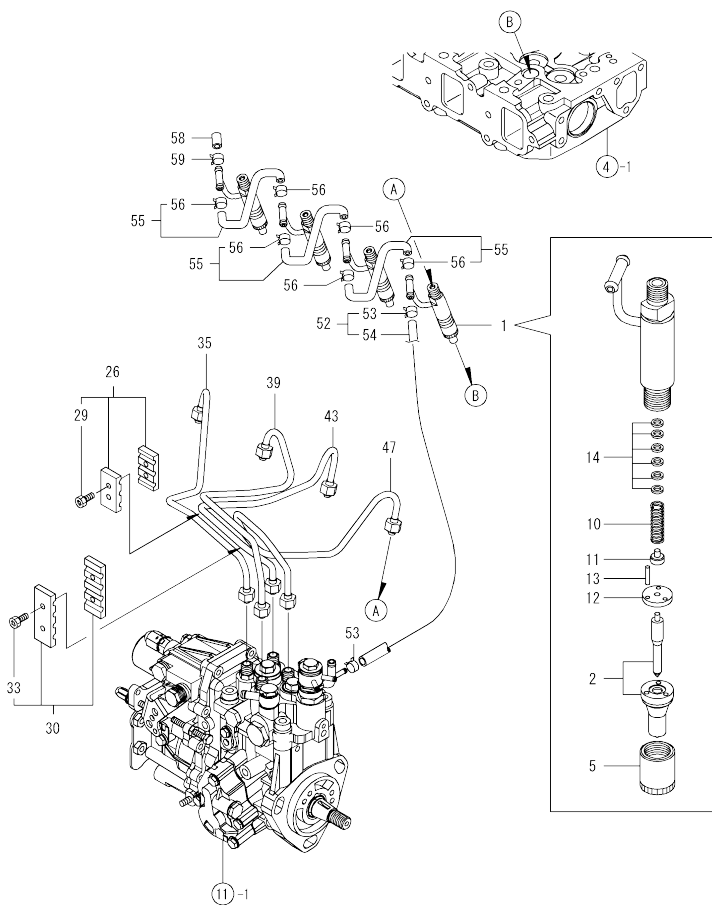
No.	Lev.	Parts No.	Description	Q'ty						I	R
				(A)	(B)	(C)	(D)	(E)	(F)		
2	2	158553-61050	GASKET	1							
3	2	158553-61070	GASKET	1							
5	2	129155-51280	O-RING, S6	1							
21	2	129255-61410	NUT, LOCK	1							
22	2	119807-61420	SPRING, RETURN	1							
23	2	158552-61441	LEVER, REGULATOR	1							
24	2	129155-61460	BOLT, IDLE	1							
53	2	26106-060102	BOLT, M6X 10 PLATED	1							
59	2	119660-61901	RETAINER, SHAFT	1							
63	2	22190-120000	WASHER, SEAL 12	1							
65	2	23887-120002	PLUG, 12	1							
67	2	26106-060102	BOLT, M6X 10 PLATED	1							
68	2	26756-060002	NUT, LOCK M6	1							
82	2	24341-000280	O-RING, 1AS28.0	1							
82-1	2	158552-61900	O-RING	1							N
(A)=EXXXXX											
83	2	26106-060142	BOLT, M6X 14 PLATED	2							
84	2	26106-060142	BOLT, M6X 14 PLATED	4							
85	2	26106-060202	BOLT, M6X 20 PLATED	10							
96	2	119653-77950	SOLENOID, STOP	1							
97	2	158552-61061	COVER, GOVERNOR CASE	1							

Remarks  
 \* THIS FIGURE(GOVERNOR ASSY)IS  
 INCORPORATED IN THE FUEL INJECTION  
 PUMP ASSY(FIG.11).

N:Old  $\frac{100}{100}$  New, Q:Old  $\frac{100}{100}$  New, R:Old  $\frac{100}{100}$  New, S:Old  $\frac{100}{100}$  New, W:Add, Z:Discontinued, F:Interchangeable by set, K:Q'ty Change  
 Copyright (C) YANMAR CO., LTD. All Rights Reserved.

OCW10-M03500

Fig.13. FUEL INJECTION VALVE



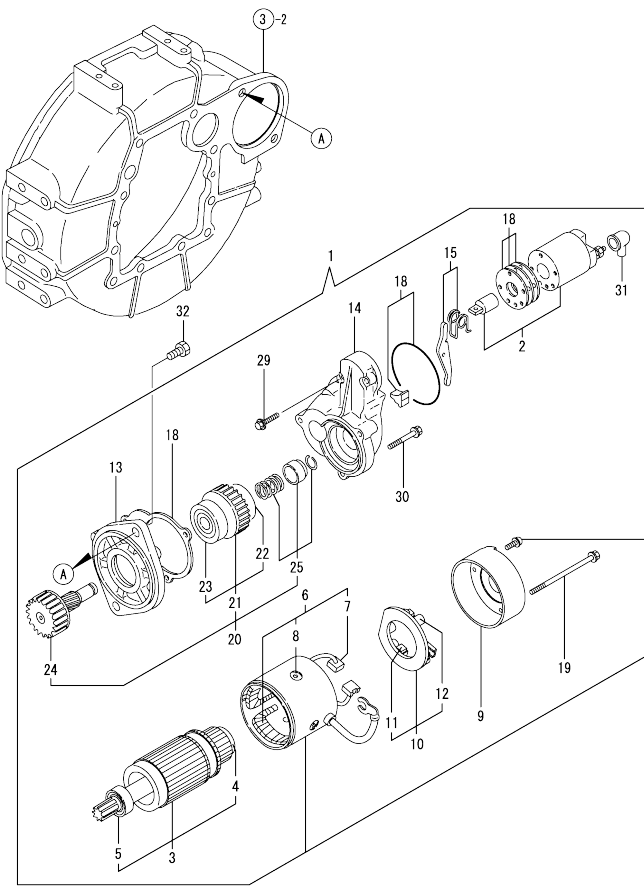
No.	Lev.	Parts No.	Description	Q'ty						I	R
				(A)	(B)	(C)	(D)	(E)	(F)		
1	1	729645-53100	VALVE ASSY,INJECTION	4							
2	2	129602-53001	VALVE ASSY,INJECTION	4							
5	2	114250-53080	NUT, NOZZLE D16.95	4							
10	2	114250-53120	SPRING, NOZZLE	4							
11	2	114250-53130	SEAT, SPRING	4							
12	2	114250-53140	PLATE	4							
13	2	114250-53210	PIN	8							
14	2	114250-53400	SHIM SET	4							
26	1	129150-59120	RETAINER, PIPE	1							
29	2	129150-59131	BOLT, M4X14	2							
30	1	129550-59120	RETAINER, PIPE	1							
33	2	129150-59131	BOLT, M4X14	2							
35	1	129601-59810	PIPE ASSY, INJECTION	1							
39	1	129601-59820	PIPE ASSY, INJECTION	1							
43	1	129601-59830	PIPE ASSY, INJECTION	1							
47	1	129601-59840	PIPE ASSY, INJECTION	1							
52	1	119802-59550	PIPE ASSY, RETURN	1							
53	2	124722-59050	CLIP, HOSE 9	2							
54	2	119802-59560	PIPE, FUEL RETURN	1							
55	1	129486-59551	PIPE ASSY, RETURN	3							
56	2	124722-59050	CLIP, HOSE 9	6							
58	1	119593-59580	CAP	1							
59	1	124060-77680	CLIP, HOSE 10	1							

N:Old  $\frac{100}{100}$  New, Q:Old  $\frac{100}{100}$  New, R:Old  $\frac{100}{100}$  New, S:Old  $\frac{100}{100}$  New, W:Add, Z:Discontinued, F:Interchangeable by set, K:Q'ty Change  
 Copyright (C) YANMAR CO., LTD. All Rights Reserved.



OCW10-M03500

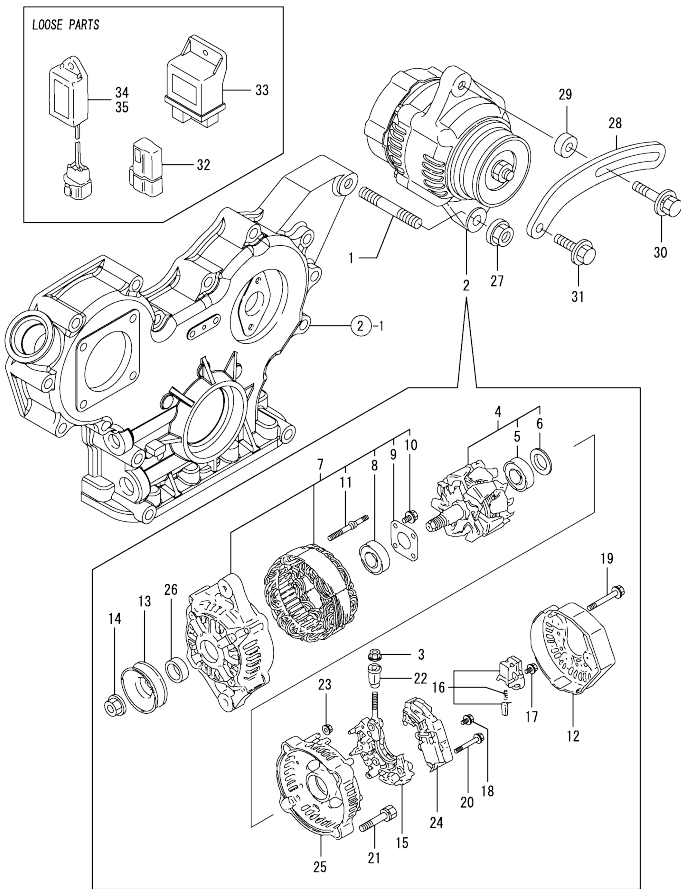
Fig.15. STARTING MOTOR



No.	Lev.	Parts No.	Description	Q'ty					
				(A)	(B)	(C)	(D)	(E)	(F)
1	1	129136-77011	STARTER	1					
2	2	129136-77310	SWITCH ASSY	1					
3	2	129900-77400	ARMATURE ASSY	1					
4	3	X2130350900	BALL BEARING	1					
5	3	X2114255110	BEARING, BALL	1					
6	2	129900-77440	COIL ASSY, FIELD	1					
7	3	129900-77450	BRUSH (+)	2					
8	3	171008-77450	SCREW	4					
9	2	129900-77460	COVER, REAR	1					
10	2	129900-77480	HOLDER ASSY, BRASH	1					
11	3	129900-77450	BRUSH (+)	2					
12	3	129400-77490	SPRING, BRUSH	4					
13	2	171008-77510	HOUSING ASSY, GEAR	1					
14	2	129136-77520	CENTER HOUSING	1					
15	2	171008-77540	LEVER SET, SHIFT	1					
18	2	129400-77571	DUST COVER, (NON-ASB.	1					
19	2	129900-77640	BOLT, THROUGHT	2					
20	2	171008-77650	PINION ASSY	1					
21	3	X2114555500	CLUTCH ASSY	1					
22	4	X2114955020	BALL BEARING	1					
23	4	X2240410100	BEARING, BALL	1					
24	3	171008-77660	SHAFT, PINION	1					
25	3	171008-77670	STOPPER SET, PINION	1					
29	2	26106-060322	BOLT, M6X 32 PLATED	2					
30	2	26106-060402	BOLT, M6X 40 PLATED	3					
31	2	171008-77750	COVER, M TERMINAL	1					
32	1	26116-120252	BOLT, M12X 25 PLATED	2					

N:Old  $\frac{100}{100}$  New, Q:Old  $\frac{100}{100}$  New, R:Old  $\frac{100}{100}$  New, S:Old  $\frac{100}{100}$  New, W:Add, Z:Discontinued, F:Interchangeable by set, K:Q'ty Change  
 Copyright (C) YANMAR CO., LTD. All Rights Reserved.

Fig.16. GENERATOR

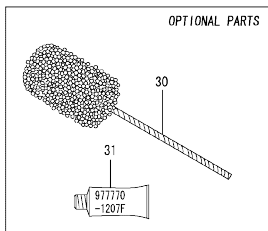
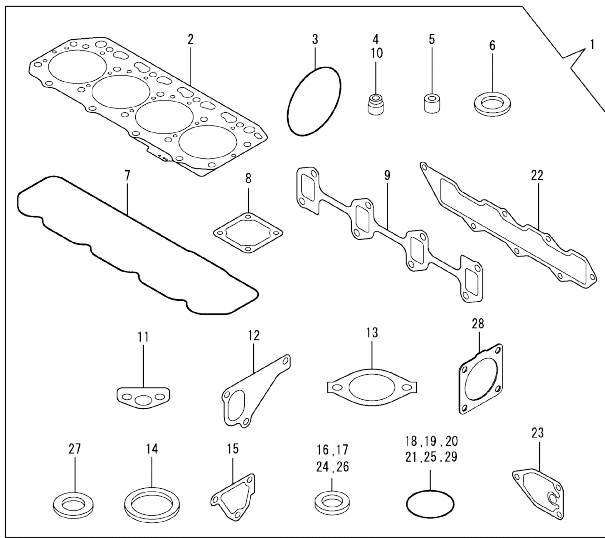


No.	Lev.	Parts No.	Description	Qty						I	R
				(A)	(B)	(C)	(D)	(E)	(F)		
1	1	129795-01900	STUD	1							
2	1	119626-77210	ALTERNATOR, 12V-55A	1							
3	2	X9490561001	NUT	1							
4	2	129052-77380	ROTOR ASSY	1							
5	3	123501-79240	BEARING, BALL	1							
6	3	119620-79250	COVER, BEARING	1							
7	2	129052-77422	FRAME ASSY	1							
8	3	119620-79200	BALL BEARING	1							
9	3	119620-79210	PLATE	1							
10	3	119620-79220	SCREW	4							
11	3	119620-79230	BOLT, STUD	2							
12	2	128401-77440	FRAME	1							
13	2	119620-77461	PULLEY	1							
14	2	119620-77471	NUT	1							
15	2	129052-79260	HOLDER	1							
16	2	129052-79270	HOLDER, BRUSH	1							
17	2	119620-79290	SCREW	6							
18	2	119620-79300	SCREW	1							
19	2	119620-79310	BOLT	3							
20	2	119620-79320	SCREW WWASHER	2							
21	2	119620-79330	BOLT	2							
22	2	119620-79340	INSULATION BUSH	1							
23	2	119620-79350	NUT	2							
24	2	129423-77710	REGULATOR ASSY	1							
25	2	119626-79410	COVER	1							
25-1	2	119626-77450	COVER, END, RR	1							N
(A=FROM 1ST)											
26	2	119620-77490	COLLAR	1							
27	1	26306-100002	NUT, M10	1							
28	1	119802-77330	ADJUSTER	1							
29	1	119940-77270	SPACER, GENERATOR	1							
30	1	129972-77341	BOLT, ADJUSTER L=50	1							
31	1	26106-080452	BOLT, M8X 45 PLATED	1							
32	1	119643-66900	DIODE	1							
33	1	119802-77200	RELAY, SAFETY	1							
34	1	128300-77920	TIMER	1							
35	1	129211-77920	TIMER	1							

N:Old  $\frac{New}{Old}$  New, Q:Old  $\frac{New}{Old}$  New, R:Old  $\frac{New}{Old}$  New, S:Old  $\frac{New}{Old}$  New, W:Add, Z:Discontinued, F:Interchangeable by set, K:Qty Change  
 Copyright (C) YANMAR CO., LTD. All Rights Reserved.

OCW10-M03500

Fig.17. GASKET SET



(A)=4TNV88-XNSS  
(B)=  
(C)=

(D)=  
(E)=  
(F)=

No.	Lev.	Parts No.	Description	Q'ty						I	R
				(A)	(B)	(C)	(D)	(E)	(F)		
1	1	729601-92920	GASKET SET	1							1
2	2	129407-01340	GASKET, HEAD	1							
3	2	121850-51960	O-RING	1							
4	2	124460-11340	SEAL, VALVE STEM PROTECTOR, NOZZLE	4							
5	2	119802-11870	SEAL, VALVE STEM PROTECTOR, NOZZLE	4							
6	2	119625-11880	SEAT, NOZZLE	4							
7	2	129601-11310	GASKET, BONNET	1							
8	2	129150-77511	GASKET	1							
9	2	129550-13110	GASKET	1							
10	2	121400-11340	SEAL, VALVE STEM	4							
11	2	129150-35042	GASKET	1							
12	2	129486-42021	GASKET, WATER PUMP	1							
13	2	129795-49551	GASKET	1							
14	2	129150-49811	GASKET, THERMOSTAT	1							
15	2	124395-49840	GASKET	1							
16	2	22190-080002	WASHER, SEAL 6	2							
17	2	124465-44950	GASKET, 16	2							
18	2	24311-000120	O-RING, 1AP12.0	3							
19	2	24311-000320	O-RING, 1AP32.0	2							
20	2	24341-000240	O-RING, 1AS24.0	1							
21	2	129486-42140	O-RING, G30	1							
22	2	129407-12110	GASKET, MANIFOLD	1							
23	2	129150-35111	GASKET	1							
24	2	22190-220002	WASHER, SEAL 22	1							
25	2	119609-32040	O-RING, P16	4							
26	2	22190-100002	WASHER, SEAL 10	2							
27	2	23414-080000	GASKET, 8X1.0	1							
28	2	129930-13201	GASKET, SILENCER	1							
29	2	24311-240100	O-RING, 1AP10A	1							
30	1	129400-92430	HONE	1							1
31	1	977770-1207F	GASKET, LIQUID	1							1

Remarks  
(1) OPTIONAL PART.

N:Old  $\frac{100}{100}$  New, Q:Old  $\frac{100}{100}$  New, R:Old  $\frac{100}{100}$  New, S:Old  $\frac{100}{100}$  New, W:Add, Z:Discontinued, F:Interchangeable by set, K:Qty Change  
Copyright (C) YANMAR CO., LTD. All Rights Reserved.

## Parts No. Index

Parts No.	Fig. No.	Ref. No.	Parts No.	Fig. No.	Ref. No.	Parts No.	Fig. No.	Ref. No.	Parts No.	Fig. No.	Ref. No.
105025-59580	14	11	119802-11870	17	5	121850-51960	2	21	129005-22900	8	33
105225-59511	14	7	119802-21202	8	5		17	3	129005-22950	8	35
114250-39450	9	30	119802-21650	8	9	123501-79240	16	5	129005-59830	9	33
114250-53080	13	5	119802-25051	7	9	123900-13610	6	6	129006-35100	9	8
114250-53120	13	10	119802-25070	7	13	123900-13630	6	4	129006-44480	9	14
114250-53130	13	11	119802-25100	7	10	124060-01050	1	10	129052-77380	16	4
114250-53140	13	12	119802-25901	7	15	124060-77680	13	59	129052-77422	16	7
114250-53210	13	13	119802-32070	2	8	124160-01751	2	14	129052-79260	16	15
114250-53400	13	14	119802-32100	2	7		4	50	129052-79270	16	16
119131-18320	6	5	119802-32111	2	18	124160-01910	1	5	129100-01580	3	1
119225-52102	14	13	119802-32120	2	19			15			15
119255-44660	10	57	119802-32130	2	20	124160-11360	4	52		8	2
119260-34810	9	2	119802-34850	9	5	124160-39140	9	31	129100-01640	3	16
119593-59580	13	58	119802-35110	9	9	124240-01871	2	15	129100-11111	4	11
119609-32040	2	17	119802-39450	9	32	124395-49840	10	17	129100-23910	8	29
	17	25	119802-49113	10	10		17	15	129100-42051	10	3
119620-01750	3	3	119802-49730	10	35	124450-44550	10	55	129100-42121	10	4
119620-77461	16	13	119802-51090	11	110	124450-44560	10	53	129100-55690	14	16
119620-77471	16	14	119802-51560	11	67	124460-11340	4	17	129103-49301	9	15
119620-77490	16	26	119802-51590	11	73		17	4	129107-44590	10	46
119620-79200	16	8	119802-51600	11	74	124465-44950	10	23	129120-77501	5	8
119620-79210	16	9	119802-51680	11	78			32	129136-77011	15	1
119620-79220	16	10	119802-51690	11	79		17	17	129136-77310	15	2
119620-79230	16	11	119802-55700	14	14	124722-59050	10	36	129136-77520	15	14
119620-79250	16	6	119802-55710	14	15			39	129150-01200	1	31
119620-79290	16	17	119802-55800	14	2		13	53	129150-02020	1	7
119620-79300	16	18	119802-59550	13	52			56	129150-02450	7	4
119620-79310	16	19	119802-59560	13	54	124766-59050	14	5	129150-02870	1	34
119620-79320	16	20	119802-77200	16	33			9	129150-02930	1	28
119620-79330	16	21	119802-77330	16	28	128300-77920	16	34	129150-02940	1	37
119620-79340	16	22	119807-61420	12	22	128401-77440	16	12	129150-03070	4	40
119620-79350	16	23	119865-21600	8	16	129001-01250	1	11	129150-11230	4	32
119625-11880	4	20	119940-59130	9	26	129001-02930	1	25	129150-11280	4	28
	17	6	119940-77270	16	29	129001-32330	2	11	129150-11370	4	18
119626-77210	16	2	120130-11860	4	5	129001-91841	2	22	129150-11750	4	34
119626-77450	16	25	120270-54410	4	23	129004-01190	1	33	129150-11810	4	7
119626-79410	16	25	121023-01550	2	27	129004-03010	4	39	129150-14101	7	7
119640-01640	3	9	121111-21501	8	12	129004-11650	4	31	129150-14200	7	1
119643-66900	16	32	121250-44901	10	31	129004-11900	4	21	129150-14400	7	2
119653-77950	12	96	121252-44510	10	50	129004-42001	10	1	129150-23600	8	31
119660-61901	12	59	121256-44600	10	56	129004-42040	10	15	129150-23610	8	39
119802-01520	2	12	121267-44760	10	40	129004-49610	10	33	129150-25301	7	16
119802-01560	2	13	121400-11340	4	16	129004-49620	10	37	129150-35042	9	3
119802-03110	4	41		17	10	129004-49711	10	34		17	11
119802-03121	4	42	121450-42450	10	43	129004-49721	10	38	129150-35111	9	12
119802-03130	4	43	121450-44530	10	52	129004-55611	14	1		17	23
119802-03141	4	44	121550-23200	8	30	129005-03080	5	1	129150-35153	9	13
119802-11260	4	26	121750-59890	14	12	129005-11100	4	10	129150-49811	10	26
119802-11270	4	27	121850-21680	8	11	129005-22080	8	17		17	14
119802-11870	4	19	121850-42410	10	8	129005-22500	8	19	129150-59120	13	26



## Parts No. Index

Parts No.	Fig. No.	Ref. No.	Parts No.	Fig. No.	Ref. No.	Parts No.	Fig. No.	Ref. No.	Parts No.	Fig. No.	Ref. No.
129150-59131	13	29	129601-34801	9	1	158552-52310	11	100	22217-140000	11	106
		33	129601-51250	11	131	158552-52400	11	115	22252-000260	8	24
129150-77511	5	9	129601-59810	13	35	158552-61061	12	97	22312-050140	11	107
	17	8	129601-59820	13	39	158552-61441	12	23	22351-030010	8	8
129155-49801	10	25	129601-59830	13	43	158552-61900	12	82 -1	22351-050010	11	108
129155-51280	12	5	129601-59840	13	47	158553-51551	11	65	22351-060012	4	22
129155-61460	12	24	129602-11700	4	1	158553-51630	11	84	22512-070140	7	8
129202-22300	8	23	129602-12100	5	3	158553-51640	11	86		8	6
129211-77920	16	35	129602-53001	13	2	158553-51660	11	88	22857-500100	4	48
129255-61410	12	21	129612-01600	3	2	158553-51670	11	77			49
129350-49530	10	27	129612-44700	10	22	158553-51680	11	89	23010-038000	10	58
129400-01730	3	6	129795-01780	3	18	158553-51770	11	119	23010-044000	10	59
129400-01770	3	8	129795-01800	2	6	158553-61050	12	2	23061-070230	10	54
129400-13101	6	1	129795-01900	16	1	158553-61070	12	3	23080-015000	9	23
129400-77490	15	12	129795-01950	2	16	158557-51570	11	70			27
129400-77571	15	18	129795-02411	1	14	158560-51300	11	49	23080-018000	9	28
129400-92430	17	30	129795-11120	4	12	158563-51281	11	47	23414-080000	10	30
129403-42380	10	20	129795-11180	4	13			48		17	27
129407-01340	1	32	129795-21661	8	10	158563-51330	11	57	23857-030000	9	34
	17	2	129795-49551	10	28	158600-51270	11	46	23857-060000	11	111
	5	5		17	13	158601-51340	11	58	23876-010000	10	11
129407-12110	17	22	129900-07900	4	54	158601-51550	11	66	23876-020000	10	12
	5	2	129900-32130	2	9	158601-51570	11	71	23876-030000	2	4
129410-03990	9	19	129900-77400	15	3	158601-51650	11	87	23876-040000	2	5
129417-33110	9	10	129900-77440	15	6	158601-51770	11	90	23887-120002	11	112
129417-35150	9	10	129900-77450	15	7	158601-51790	11	92		12	65
129418-32320	2	10			11	171008-03990	9	21	24311-000070	11	114
129423-77710	16	24			15	171008-77450	15	8	24311-000120	4	53
129436-35070	9	4 -1	129900-77460	15	9	171008-77510	15	13		17	18
129436-35091	9	4	129900-77480	15	10	171008-77540	15	15	24311-000160	14	18
129486-01670	3	19	129900-77640	15	19	171008-77650	15	20	24311-000320	2	23
129486-42021	10	14	129907-44600	10	47	171008-77660	15	24		4	51
	17	12	129907-44610	10	48	171008-77670	15	25		17	19
129486-42140	10	16	129916-49740	10	13	171008-77750	15	31	24311-240100	9	6
	17	21	129916-59020	11	127	171051-01921	1	6		17	29
	13	55	129930-13201	6	7	171056-49120	9	29	24321-000650	14	17
129489-21590	8	13		17	28	22190-080002	9	35	24341-000240	2	28
129508-33010	9	17	129940-44500	10	44			36		17	20
129508-33050	9	18	129950-59311	14	8			17	24341-000280	12	82
129508-44550	10	45	129956-59010	14	4	22190-100002	9	37	24356-010180	11	116
129508-49030	9	20	129957-59101	14	6			26	24356-010200	11	80
129508-49040	9	24	129961-59110	14	10			12			117
129550-13110	6	2	129972-77341	16	30	22190-120000	12	63	24372-000150	11	81
	17	9	158552-51151	7	18	22190-120002	11	101	25132-003800	10	21
			158552-51570	11	68			102	26014-060122	10	49
129550-59120	13	30			69			103	26106-060102	11	118
129601-11241	4	25	158552-51580	11	72			104		12	53
129601-11251	4	29	158552-51600	11	83	22190-180002	11	104			67
129601-11310	4	47	158552-51670	11	4			105	26106-060142	12	83
	17	7	158552-51780	11	91	22190-220002	3	11			84
129601-11350	4	38	158552-51780	11	91			17			
129601-21002	8	1	158552-52100	11	98	22217-140000	7	19			

## Parts No. Index

Parts No.	Fig. No.	Ref. No.
26106-060162	2	29
26106-060202	12	85
26106-060302	10	41
26106-060322	15	29
26106-060402	15	30
26106-080122	10	24
26106-080142	7	17
26106-080162	2	24
		25
	3	12
	4	55
	9	7
	10	18
	11	129
26106-080202	5	6
	9	11
	11	130
26106-080222	10	29
26106-080252	3	13
	4	36
26106-080302	14	3
26106-080352	3	20
	4	24
	5	10
	9	16
26106-080402	7	14
26106-080452	3	14
		14 -1
	10	42
	16	31
26106-080502	3	22
	4	37
26106-080552	2	26
	9	16 -1
26106-080602	10	19
26106-080802	5	7
26116-120252	15	32
26206-100252	3	4
26206-100302	3	5
26226-080182	4	35
26306-080002	2	31
	6	3
26306-100002	16	27
26366-060002	9	38
26450-080452	11	124
26756-060002	12	68
26776-140002	7	20
	11	125
27241-120000	1	12
27241-300000	1	13

Parts No.	Fig. No.	Ref. No.
27241-400000	4	9
27310-080001	4	14
719802-01500	2	1
729402-14580	7	3
729402-23100	8	25
729601-92920	17	1
729602-01560	1	1
729645-51360	11	1
729645-53100	13	1
977770-1207F	2	30
	3	21
	4	56
	17	31
X2114255110	15	5
X2114555500	15	21
X2114955020	15	22
X2130350900	15	4
X2240410100	15	23
X9490561001	16	3

Parts No.	Fig. No.	Ref. No.
-----------	----------	----------

Parts No.	Fig. No.	Ref. No.
-----------	----------	----------