

0CW10-M14500EN

PREFACE

1.This Parts Catalog carries all parts incorporated in YANMAR Model 4TNV88-XGP engine manufactured since November, 2006.

2.Each illustration corresponds to the parts list on the following page.

3.When ordering parts,clearly write down the engine model and serial number,as well as the name and number of each part in your order sheet. This will help insure reliable delivery of the parts you have ordered.

Directions for the Parts Catalog.

- The parts stipulated in this Parts Catalog are not necessarily standard equipped parts.
- Parts may change without prior notice.
- The following is an example of the Parts Catalog format.

REF.	LEV.	PARTS NO.	DESCRIPTION	Q'TY						I	R
				(A)	(B)	(C)	(D)	(E)	(F)		
1	1	729595-51390	FUEL INJECTION PUMP	1	1	1	1	1			1
1-1	1	729595-51391	FUEL INJECTION PUMP	1	1	1	1	1		N	1
		(A=E00185) (B=E00200)									
3	2	26022-060162	SCREW M 6X 16	9	9	9	9	9			
3-1	2	26022-060162	SCREW M 6X 16	4	4	4	4	4		K	
		(A=E00156) (B=E00156) (C=E00156) (D=E00156) (E=E00156)									
4	2	129470-51040	CAMSHAFT	1	1	1	1	1			
5	2	122710-51050	BEARING, ROLLER	2	2	2	2	2			
6	2	129470-51060	RETAINER	1	1	1	1	1			

Remarks
(1) BOOST COMPEMSATOR TYPE. OPTIONAL PART, TO E00155,(4JH-DT, 4JH-DTZ

① Ref. No.

The Ref. No. listed may not be in accordance with the illustration Ref. No.

(Ex.) Illustration No.

List Ref No.

1 1 (Before change) → 1-1 (After change)

For interchangeable symbols N, R and K, illustrations for new parts may be abbreviated.

② Lev. (Level)

Level indication

The numbers below indicate the level of relativity towards the main part.

1 ---- Main parts (Assembly parts)

2 ---- Sub component included in " 1 ".

3 ---- Sub component included in " 2 ".

Note) Parts that are not for sale are partially illustrated but not listed.

③ Interchangeability Mark

When a part change takes place, one of the following interchangeability symbols is indicated beside the part.

Symbol	Interchangeability	Contents note
N	Old $\begin{matrix} \leftarrow \text{Yes} \\ \text{No} \rightarrow \end{matrix}$ New	New Part is interchangeable for Old Part but Old Part is not interchangeable for New Part.
Q	Old $\begin{matrix} \leftarrow \text{No} \\ \text{Yes} \rightarrow \end{matrix}$ New	New Part is not interchangeable for Old Part but Old Part is interchangeable for New Part.
R	Old $\begin{matrix} \leftarrow \text{Yes} \\ \text{Yes} \rightarrow \end{matrix}$ New	New/ Old Parts are both interchangeable.
S	Old $\begin{matrix} \leftarrow \text{No} \\ \text{No} \rightarrow \end{matrix}$ New	New/ Old Parts are both not interchangeable.
W		Part newly added.
Z		Part discontinued.
F		Not interchangeable by a single part but interchangeable together with related parts.
K		Changes only for used parts quantities.

④ Effective Machine No.

When a part changes, the effective Machine No. will be indicated in the (A)-(F) column.

Product Symbol	Product No.	Product Symbol	Product No.
C	Clutch No. Compressor No.	F	Machine No. (Agricultural Equip.)
D	Drive No.	M	Machine No.
E	Engine No.		

Note 1) A date may follow the symbol. (Ex.) 1996.01

Note 2) "XXXXX" and "ZZZZZ" are for parts that could not be predicted or for engine models that could not be identified.

Note 3) (A=E00185) is the E (Engine Serial Number) for the column (A) model (in this case 4JH-DT) after the parts design change.

⑤ Remarks Mark

Figures or alphabets (symbols) are entered in the remarks column.

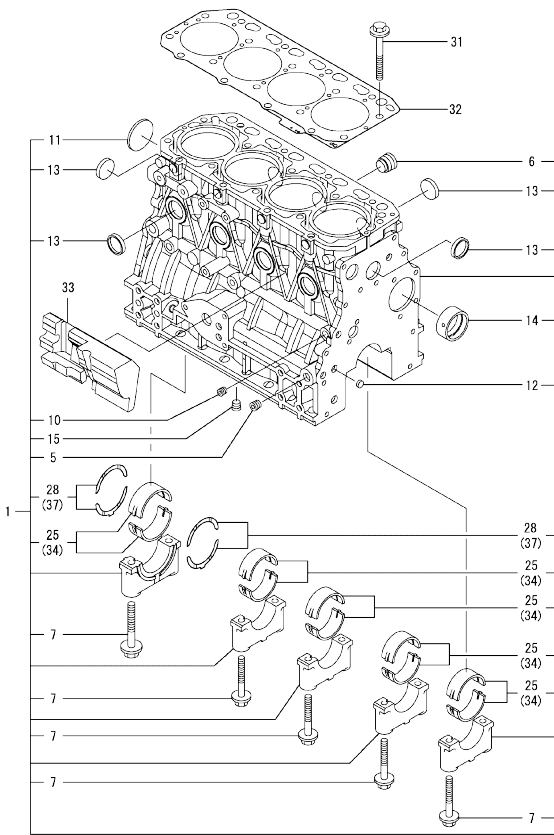
The comments (remarks) on parts that are indicated at the bottom of the illustration are the same symbols as those stated above.

Contents

Fig. No.	Fig. Name	Fig. No.	Fig. Name
4	TNV88-XGP		
1.	CYLINDER BLOCK		
2.	GEAR HOUSING		
3.	FLYWHEEL HOUSING & OIL SUMP		
4.	CYLINDER HEAD & BONNET		
5.	SUCTION MANIFOLD		
6.	EXHAUST MANIFOLD		
7.	CAMSHAFT & DRIVING GEAR		
8.	CRANKSHAFT & PISTON		
9.	LUB.OIL SYSTEM		
10.	COOLING WATER SYSTEM		
11.	FUEL INJECTION PUMP		
12.	GOVERNOR		
13.	FUEL INJECTION VALVE		
14.	FUEL LINE		
15.	STARTING MOTOR		
16.	GENERATOR		
17.	GASKET SET		

0CW10-M14500

Fig.1. CYLINDER BLOCK



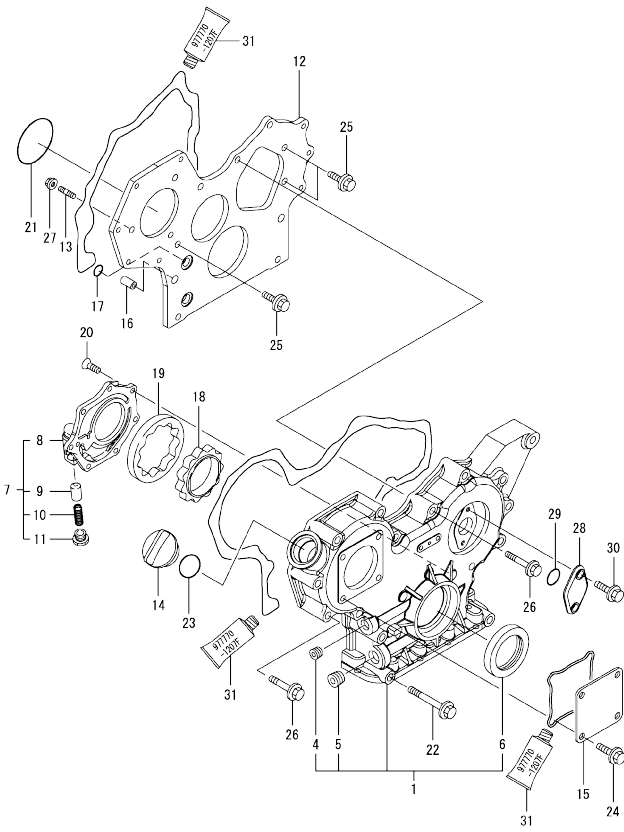
Remarks

- (1) UNDER-SIZE(U.S=0.25)PART.
- (2) OVER-SIZE(O.S=0.25)PART.
- (3) REPAIR PART.

No.	Lev.	Parts No.	Description	Q'ty						I	R
				(A)	(B)	(C)	(D)	(E)	(F)		
1	1	729602-01560	BLOCK ASSY, CYLINDER	1							
5	2	124160-01910	PLUG, PT1/4	2							
6	2	171051-01921	PLUG, NPTF1	1							
7	2	129150-02020	BOLT, METAL CAP	10							
10	2	124060-01050	PLUG, PT1/8	1							
11	2	129001-01250	PLUG, 50	1							
12	2	27241-120000	PLUG, 12	2							
13	2	27241-300000	PLUG 30	8							
14	2	129795-02412	BUSH, CAMSHAFT	1							
15	2	124160-01910	PLUG, PT1/4	1							
25	2	129001-02931	BEARING, MAIN	5							3
28	2	129150-02931	BEARING, THRUST	2							
31	1	129150-01200	BOLT, HEAD	18							
32	1	129407-01340	GASKET, HEAD	1							
33	1	129004-01190	SPACER	1							
34	1	129150-02871	BEARING, 0.25 US	5							1
37	1	129150-02941	BEARING, THRUST 0.25	1							2

0CW10-M14500

Fig.2. GEAR HOUSING



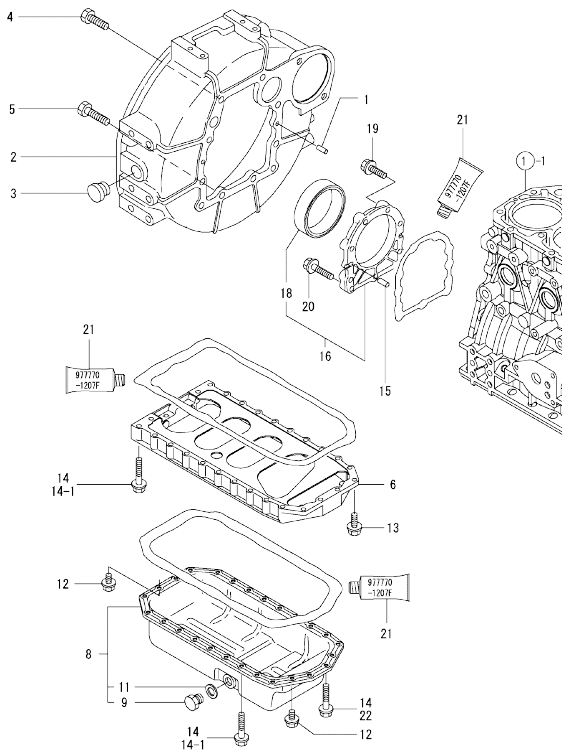
Remarks
(1) OPTIONAL PART.

No.	Lev.	Parts No.	Description	Q'ty						I	R
				(A)	(B)	(C)	(D)	(E)	(F)		
1	1	719802-01500	CASE ASSY, GEAR	1							
4	2	23876-030000	PLUG, R03	1							
5	2	23876-040000	PLUG, R04	1							
6	2	129795-01800	SEAL, OIL	1							
7	1	119802-32100	COVER ASSY	1							
8	2	119802-32070	COVER	1							
9	2	129900-32130	VALVE, RELIEF	1							
10	2	129418-32320	SPRING	1							
11	2	129001-32330	PLUG	1							
12	1	119802-01520	FLANGE, GEAR CASE	1							
13	1	119802-01561	STUD, M8X25	3							
14	1	124160-01751	COVER, FILLER	1							
15	1	124240-01871	COVER	1							
16	1	129795-01950	PIPE, KNOCK L=18	2							
17	1	119609-32040	O-RING, P16	4							
18	1	119802-32111	ROTOR, INNER	1							
19	1	119802-32120	ROTOR, OUTER	1							
20	1	119802-32130	SCREW, M6X16	7							
21	1	121850-51960	O-RING	1							
22	1	129001-91841	BOLT, M8X85	3							
23	1	24311-000320	O-RING, 1AP32.0	1							
24	1	26106-080162	BOLT, M8X 16 PLATED	4							
25	1	26106-080162	BOLT, M8X 16 PLATED	3							
26	1	26106-080552	BOLT, M8X 55 PLATED	12							
27	1	26306-080002	NUT, M8	3							
28	1	121023-01551	COVER	1							
29	1	24341-000240	O-RING, 1AS24.0	1							
30	1	26106-060162	BOLT, M6X 16 PLATED	2							
31	1	977770-1207F	GASKET,LIQUID	1							1

N:Old $\frac{100}{100}$ New, Q:Old $\frac{100}{100}$ New, R:Old $\frac{100}{100}$ New, S:Old $\frac{100}{100}$ New, W:Add, Z:Discontinued, F:Interchangeable by set, K:Qty Change
Copyright (C) YANMAR CO., LTD. All Rights Reserved.

0CW10-M14500

Fig.3. FLYWHEEL HOUSING & OIL SUMP



No.	Lev.	Parts No.	Description	Q'ty						I	R
				(A)	(B)	(C)	(D)	(E)	(F)		
1	1	129100-01580	PIN, M8X16	2							
2	1	129612-01600	HOUSING, FLYWHEEL	1							
3	1	119620-01750	CAP	1							
4	1	26206-100252	BOLT, M10X 25 PLATED	6							
5	1	26206-100302	BOLT, M10X 30 PLATED	4							
6	1	129400-01730	SPACER, OIL SUMP	1							
8	1	129400-01770	SUMP ASSY, OIL	1							
8-1	1	129688-01780	OIL PAN ASSY, DEEP	1						N	2
(A=REF. TO R)											
9	2	119640-01640	PLUG, DRAIN M22	1							
11	2	22190-220002	WASHER, SEAL 22	1							
12	1	26106-080162	BOLT, M8X 16 PLATED	4							
13	1	26106-080252	BOLT, M8X 25 PLATED	2							
14	1	26106-080452	BOLT, M8X 45 PLATED	24							
14-1	1	26106-080452	BOLT, M8X 45 PLATED	20							K
(A=FROM 1ST)											
15	1	129100-01580	PIN, M8X16	2							
16	1	129100-01640	CASE ASSY, OIL SEAL	1							
18	2	129795-01780	SEAL, OIL	1							
19	1	129486-01670	BOLT, M8X30	6							
20	1	26106-080352	BOLT, M8X 35 PLATED	3							
21	1	97770-1207F	GASKET, LIQUID	1							1
22	1	26106-080502	BOLT, M8X 50 PLATED	4							W
(A=FROM 1ST)											

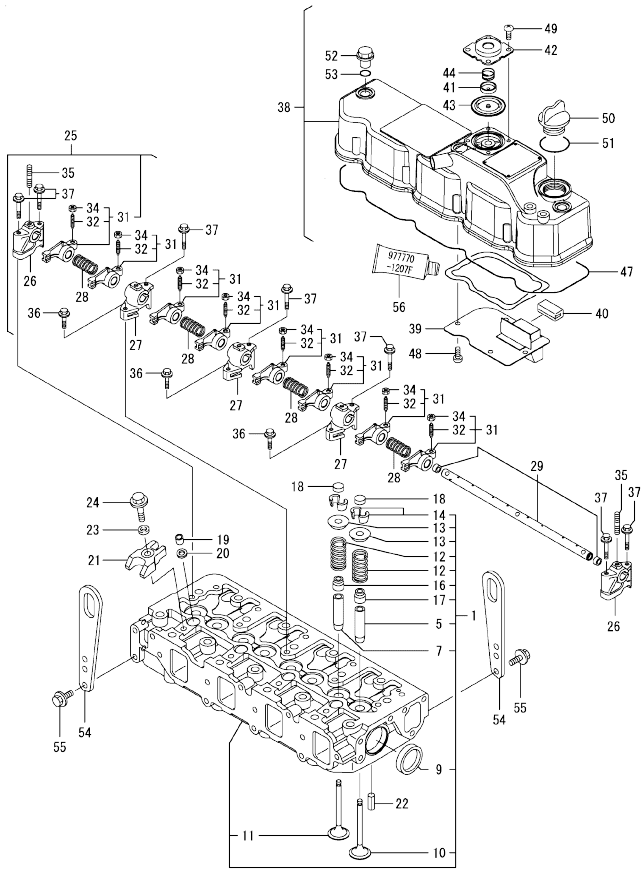
Remarks

- (1)Optional parts.
- (2)For repair.

N:Old $\frac{100}{100}$ New, Q:Old $\frac{100}{100}$ New, R:Old $\frac{100}{100}$ New, S:Old $\frac{100}{100}$ New, W:Add, Z:Discontinued, F:Interchangeable by set, K:Q'ty Change
 Copyright (C) YANMAR CO., LTD. All Rights Reserved.

OCW10-M14500

Fig.4. CYLINDER HEAD & BONNET



No.	Lev.	Parts No.	Description	Q'ty						I	R
				(A)	(B)	(C)	(D)	(E)	(F)		
1	1	129602-11700	HEAD ASSY, CYLINDER	1							
5	2	120130-11860	GUIDE, VALVE	4							1
7	2	129150-11810	GUIDE, VALVE	4							1
9	2	27241-400000	PLUG, 40	2							
10	2	129005-11100	VALVE, INTAKE	4							
11	2	129100-11112	VALVE, EXHAUST	4							
12	2	129795-11120	SPRING, VALVE	8							
13	2	129795-11180	RETAINER, SPRING	8							
14	2	27310-080001	COTTER, 8	8							
16	2	121400-11340	SEAL, VALVE STEM	4							
17	2	124460-11340	SEAL, VALVE STEM	4							
18	1	129150-11370	CAP, VALVE	8							
19	1	119802-11870	PROTECTOR, NOZZLE	4							
20	1	119625-11880	SEAT, NOZZLE	4							
21	1	129004-11900	RETAINER, NOZZLE	4							
22	1	22351-060012	PIN, SPRING 6.0X12	2							
23	1	120270-54410	WASHER, INJECTOR	4							
24	1	26106-080352	BOLT, M8X 35 PLATED	4							
25	1	129601-11241	SHAFT ASSY, ROCKER	1							
26	2	119802-11260	SUPPORT, ROCKER ARM	2							
27	2	119802-11270	SUPPORT, ROCKER ARM	3							
28	2	129150-11280	SPRING	4							
29	2	129601-11251	SHAFT, ROCKER ARM	1							
31	2	129004-11650	ARM, ROCKER	8							
32	3	129150-11230	SCREW, VALVE ADJUST	8							
34	3	129150-11750	NUT, M8	8							
35	2	26226-080182	STUD, M8X 18	3							
36	1	26106-080252	BOLT, M8X 25 PLATED	3							
37	1	26106-080502	BOLT, M8X 50 PLATED	7							
38	1	129601-11350	BONNET ASSY, HEAD	1							
39	2	129004-03010	PLATE	1							
40	2	129150-03070	BAFFLE, BREATHER	1							
41	2	119802-03110	PLATE	1							
42	2	119802-03121	COVER, DIAPHRAGM	1							
43	2	119802-03130	DIAPHRAGM	1							
44	2	119802-03141	SPRING, DIAPHRAGM	1							
47	2	129601-11310	GASKET, BONNET	1							
48	2	22857-500100	SCREW, 5X10	4							
49	2	22857-500100	SCREW, 5X10	4							
50	1	124160-01751	COVER, FILLER	1							
51	1	24311-000320	O-RING, 1AP32.0	1							
52	1	124160-11360	KNOB	3							
53	1	24311-000120	O-RING, 1AP12.0	3							
54	1	129900-07900	LIFTER	2							
55	1	26106-080162	BOLT, M8X 16 PLATED	4							
56	1	977770-1207F	GASKET, LIQUID	1							2

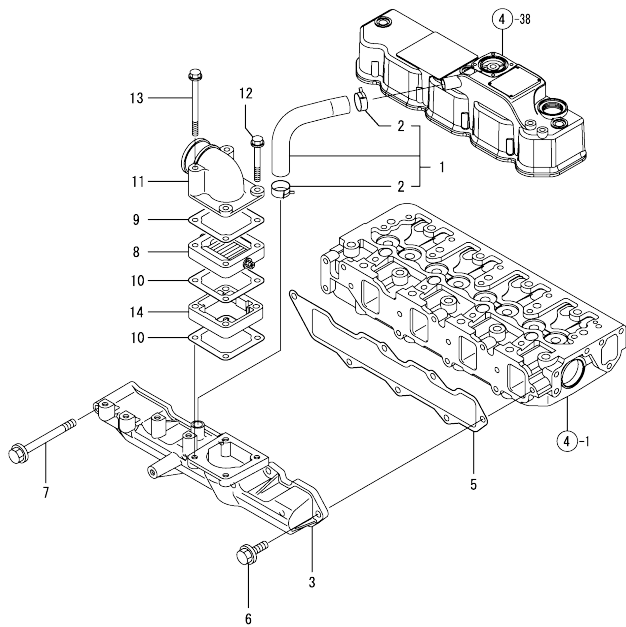
Remarks

- (1) REPAIR PART.
- (2) OPTIONAL PART.

N:Old $\frac{100}{100}$ New, Q:Old $\frac{100}{100}$ New, R:Old $\frac{100}{100}$ New, S:Old $\frac{100}{100}$ New, W:Add, Z:Discontinued, F:Interchangeable by set, K:Q'ty Change
Copyright (C) YANMAR CO., LTD. All Rights Reserved.

0CW10-M14500

Fig.5. SUCTION MANIFOLD



No.	Lev.	Parts No.	Description	Q'ty					
				(A)	(B)	(C)	(D)	(E)	(F)
1	1	129005-03080	PIPE, BREATHER	1					
2	2	129410-03990	CLAMP 22	2					
3	1	129602-12100	MANIFOLD, AIR INTAKE	1					
5	1	129407-12110	GASKET, MANIFOLD	1					
6	1	26106-080202	BOLT, M8X 20 PLATED	6					
7	1	26106-080802	BOLT, M8X 80 PLATED	1					
8	1	129100-77501	HEATER	1					
9	1	129100-77510	GASKET, AIR HEATER	1					
10	1	129150-77511	GASKET	2					
11	1	171340-77520	BEND	1					
12	1	26106-080602	BOLT, M8X 60 PLATED	2					
13	1	26106-081002	BOLT, M8X100 PLATED	2					
14	1	129170-12580	SPACER	1					

N:Old $\frac{100}{100}$ New, Q:Old $\frac{100}{100}$ New, R:Old $\frac{100}{100}$ New, S:Old $\frac{100}{100}$ New, W:Add, Z:Discontinued, F:Interchangeable by set, K:Qty Change
 Copyright (C) YANMAR CO., LTD. All Rights Reserved.

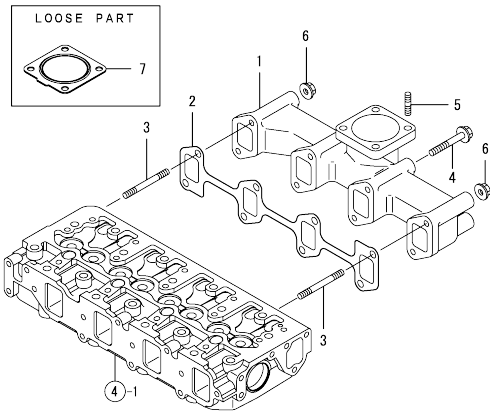
0CW10-M14500

Fig.6. EXHAUST MANIFOLD

(A)=4TNV88-XGP
(B)=
(C)=

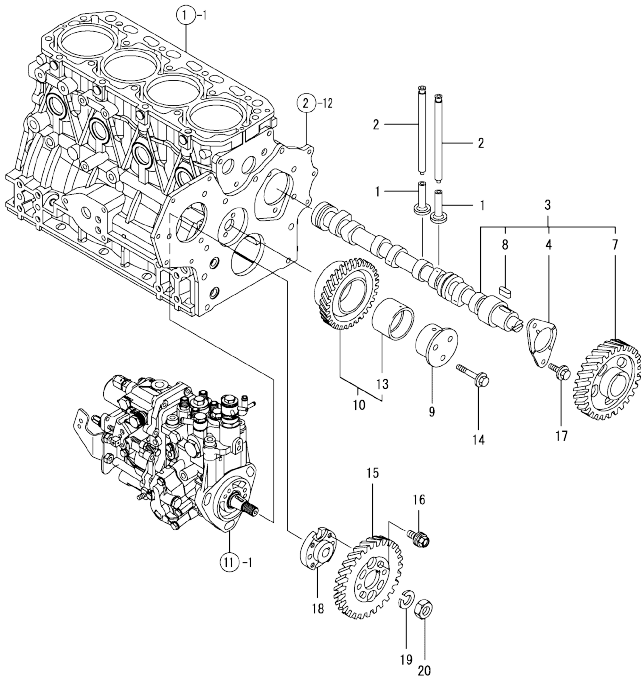
(D)=
(E)=
(F)=

No.	Lev.	Parts No.	Description	Q'ty					
				(A)	(B)	(C)	(D)	(E)	(F)
1	1	129411-13100	MANIFOLD, EXHAUST	1					
2	1	129550-13110	GASKET	1					
3	1	123900-13610	STUD, M8X80	2					
4	1	123900-13630	BOLT, M8X80	6					
5	1	119131-18320	STUD, M8X22	4					
6	1	26306-080002	NUT, M8	2					
7	1	129930-13201	GASKET, SILENCER	1					



0CW10-M14500

Fig.7. CAMSHAFT & DRIVING GEAR



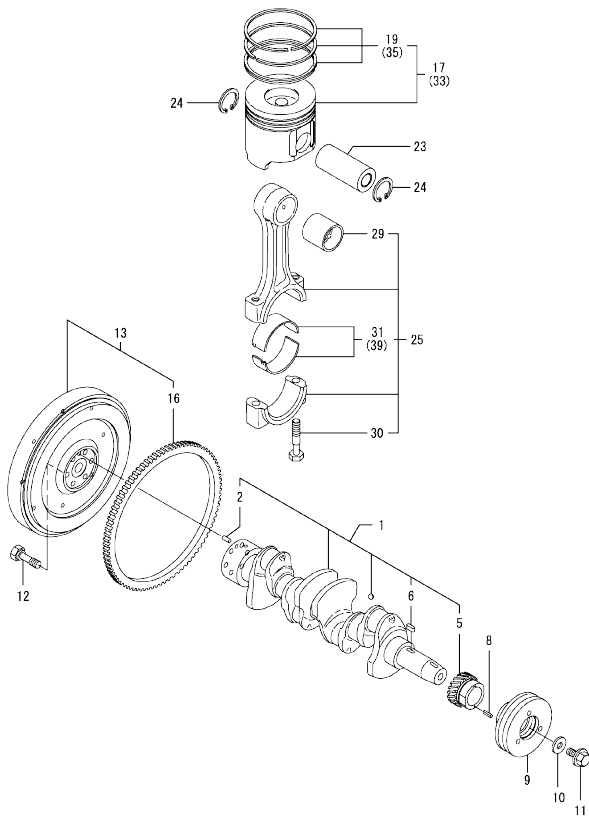
No.	Lev.	Parts No.	Description	Q'ty						I	R
				(A)	(B)	(C)	(D)	(E)	(F)		
1	1	129150-14200	TAPPET	8							
2	1	129150-14400	ROD, PUSH L=178	8							
3	1	729402-14580	CAMSHAFT ASSY	1							
4	2	129150-02450	BEARING, THRUST	1							
7	2	129150-14101	GEAR, CAMSHAFT	1							
8	2	22512-070140	KEY, 7X 14	1							
9	1	119802-25051	SHAFT, IDLE	1							
10	1	119802-25101	GEAR ASSY, IDLE	1							
13	2	119802-25071	BUSH, IDLE GEAR	1							1
14	1	26106-080402	BOLT, M8X 40 PLATED	3							
15	1	119802-25901	GEAR, PUMP	1							
16	1	129150-25301	BOLT	4							
17	1	26106-080142	BOLT, M8X 14 PLATED	2							
18	1	158552-51151	FLANGE	1							
19	1	22217-140000	WASHER, SPRING 14	1							
20	1	26776-140002	NUT, LOCK M14	1							

Remarks
(1) REPAIR PART.

N:Old $\frac{100}{100}$ New, Q:Old $\frac{100}{100}$ New, R:Old $\frac{100}{100}$ New, S:Old $\frac{100}{100}$ New, W:Add, Z:Discontinued, F:Interchangeable by set, K:Q'ty Change
Copyright (C) YANMAR CO., LTD. All Rights Reserved.

0CW10-M14500

Fig.8. CRANKSHAFT & PISTON



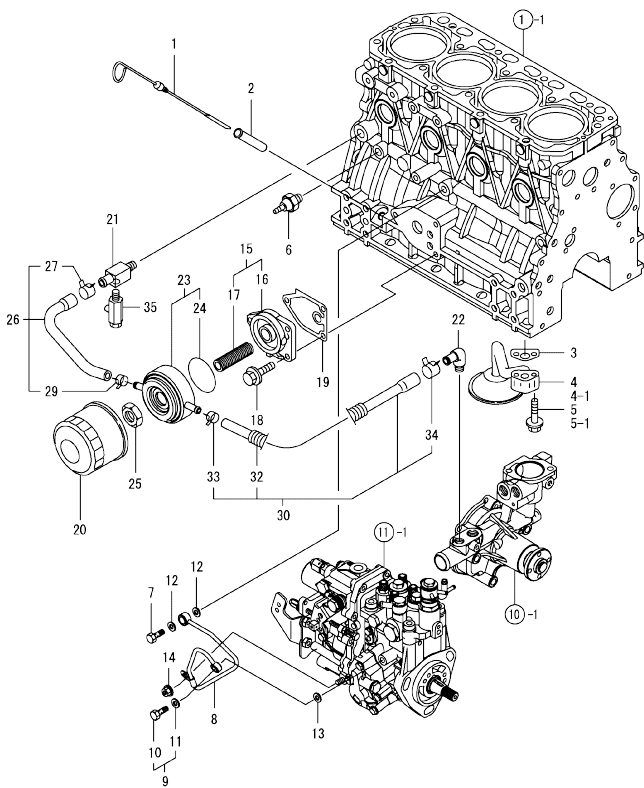
No.	Lev.	Parts No.	Description	Q'ty						I	R
				(A)	(B)	(C)	(D)	(E)	(F)		
1	1	129601-21002	CRANKSHAFT ASSY	1							
2	2	129100-01580	PIN, M8X16	1							
5	2	119802-21202	GEAR, CRANKSHAFT	1							
6	2	22512-070140	KEY, 7X 14	1							
8	1	22351-030010	PIN, SPRING 3.0X10	1							
9	1	119802-21650	V-PULLEY, 110	1							
10	1	129795-21661	WASHER	1							
11	1	121850-21680	BOLT	1							
12	1	121111-21501	BOLT, FLYWHEEL	6							
13	1	171420-21580	FLYWHEEL ASSY	1							
16	2	119865-21600	GEAR, RING	1							
17	1	129005-22080	PISTON ASSY	4							
19	2	129005-22500	RING SET, PISTON	4							
23	1	129202-22300	PIN, PISTON D26 L70	4							
24	1	22252-000260	RING, 26	8							
25	1	729402-23100	ROD ASSY, CONNECTING	4							
29	2	129100-23910	BEARING, PISTON PIN	4							1
30	2	121550-23200	BOLT, CONNECTING ROD	8							
31	2	129150-23601	BEARING, CRANK PIN	4							
33	1	129005-22900	PISTON ASSY, 0.25 OS	4							2
35	2	129005-22950	RING SET, 0.25 OS	4							2
39	1	129150-23611	BEARING, 0.25 US	4							3

Remarks
 (1) REPAIR PART.
 (2) OVER-SIZE(O.S=0.25)PART.
 (3) UNDER-SIZE(U.S=0.25)PART.

N:Old $\frac{100}{100}$ New. Q:Old $\frac{100}{100}$ New. R:Old $\frac{100}{100}$ New. S:Old $\frac{100}{100}$ New. W:Add. Z:Discontinued. F:Interchangeable by set. K:Q'ty Change
 Copyright (C) YANMAR CO., LTD. All Rights Reserved.

OCW10-M14500

Fig.9. LUB.OIL SYSTEM



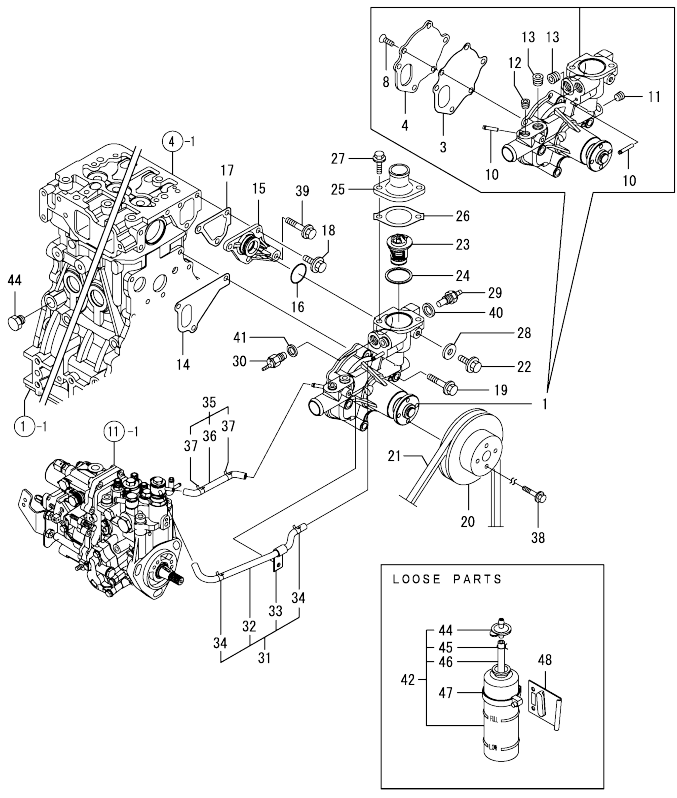
No.	Lev.	Parts No.	Description	Q'ty						I	R
				(A)	(B)	(C)	(D)	(E)	(F)		
1	1	129004-34802	DIPSTICK, OIL	1							
2	1	121520-34810	GUIDE, DIPSTICK	1							
3	1	129150-35042	GASKET	1							
4	1	129436-35091	PIPE ASSY, OIL INLET	1							
4-1	1	129436-35070	PIPE ASSY, LUB. OIL	1							S
(A=EZZZZZ)											
5	1	26106-080352	BOLT, M8X 35 PLATED	2							
5-1	1	26106-080552	BOLT, M8X 55 PLATED	2							S
(A=EZZZZZ)											
6	1	114250-39450	SWITCH, 0.5KG	1							
7	1	124160-39140	BOLT, PIPE JOINT M10	1							
8	1	119802-39450	PIPE ASSY, OIL	1							
9	1	129005-59830	BOLT ASSY, JOINT M8	1							
10	2	23857-030000	BOLT, JOINT 3	1							
11	2	22190-080002	WASHER, SEAL 6	1							
12	1	22190-100002	WASHER, SEAL 10	2							
13	1	22190-080002	WASHER, SEAL 6	1							
14	1	26366-060002	NUT, M6	1							
15	1	129006-35100	BRACKET ASSY, FILTER	1							
16	2	119802-35110	BRACKET, FILTER	1							
17	2	129417-35150	STUD, L=67	1							
18	1	26106-080202	BOLT, M8X 20 PLATED	3							
19	1	129150-35111	GASKET	1							
20	1	129150-35153	FILTER 80X80L	1							1
21	1	129006-44480	JOINT	1							
22	1	129103-49301	ELBOW, PT1/4	1							
23	1	129508-33010	COOLER ASSY, OIL	1							
24	2	129508-33050	O-RING	1							
25	1	129417-33110	NUT	1							
26	1	129508-49030	PIPE ASSY, WATER	1							
27	2	171008-03990	CLIP, HOSE 18.5	1							
29	2	23080-015000	CLAMP, 15	1							
30	1	129508-49040	PIPE ASSY, WATER	1							
32	2	119940-59130	TUBE, CORRUGATED	1							
33	2	23080-015000	CLAMP, 15	1							
34	2	23080-018000	CLAMP, 18	1							
35	1	119620-49290	COCK ASSY, 1/4	1							

Remarks
(1) REPAIR PART.

N:Old $\frac{100}{100}$ New, Q:Old $\frac{100}{100}$ New, R:Old $\frac{100}{100}$ New, S:Old $\frac{100}{100}$ New, W:Add, Z:Discontinued, F:Interchangeable by set, K:Qty Change
Copyright (C) YANMAR CO., LTD. All Rights Reserved.

OCW10-M14500

Fig.10. COOLING WATER SYSTEM

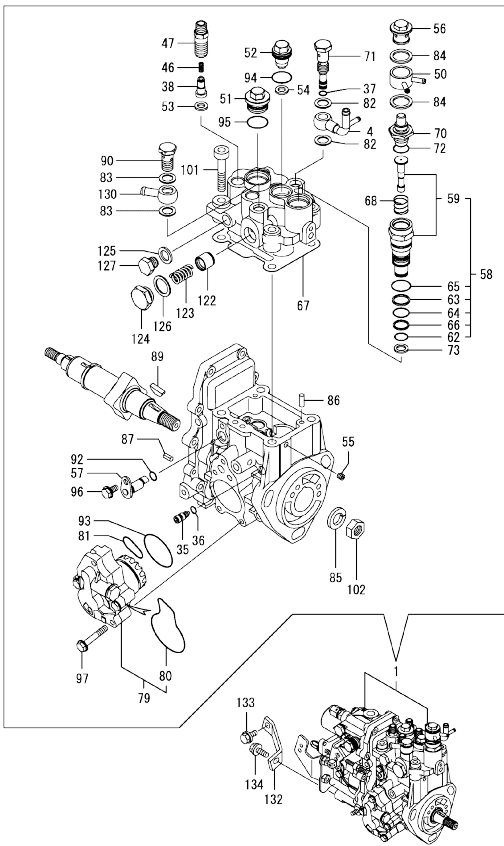


No.	Lev.	Parts No.	Description	Q'ty						I	R
				(A)	(B)	(C)	(D)	(E)	(F)		
1	1	129004-42001	PUMP ASSY, WATER	1							
3	2	129100-42051	GASKET, WATER PUMP	1							
4	2	129100-42121	PLATE	1							
8	2	121850-42410	SCREW	3							
10	2	119802-49113	JOINT, PIPE	2							
11	2	23876-010000	PLUG, R01	1							
12	2	23876-020000	PLUG, R02	1							
13	2	129916-49740	PLUG, R03	2							
14	1	129486-42021	GASKET, WATER PUMP	1							
15	1	129004-42040	JOINT	1							
16	1	129486-42140	O-RING, G30	1							
17	1	124395-49840	GASKET	1							
18	1	26106-080162	BOLT, M8X 16 PLATED	3							
19	1	26106-080602	BOLT, M8X 60 PLATED	3							
20	1	129120-42350	V-PULLEY, 130	1							
21	1	25132-003800	V-BELT, A38	1							
22	1	26106-080122	BOLT, M8X 12 PLATED	1							
23	1	129457-49801	THERMOSTAT, 82	1							
24	1	129150-49811	GASKET, THERMOSTAT	1							
25	1	129350-49530	COVER, THERMOSTAT	1							
26	1	129795-49551	GASKET	1							
27	1	26106-080222	BOLT, M8X 22 PLATED	2							
28	1	23414-080000	GASKET, 8X1.0	1							
29	1	124250-49351	SENSOR	1							
30	1	121250-44901	SWITCH, 110	1							
31	1	129004-49610	PIPE ASSY, WATER	1							
32	2	129004-49711	PIPE ASSY, WATER	1							
33	2	119802-49730	RETAINER, PIPE	1							
34	2	124722-59050	CLIP, HOSE 9	2							
35	1	129004-49620	PIPE ASSY, WATER	1							
36	2	129004-49721	PIPE ASSY, WATER	1							
37	2	124722-59050	CLIP, HOSE 9	2							
38	1	26106-060122	BOLT, M6X 12 PLATED	4							
39	1	26106-080452	BOLT, M8X 45 PLATED	1							
40	1	129150-49360	GASKET	1							
41	1	124465-44950	GASKET, 16	1							
42	1	124450-44510	TANK ASSY, SUB	1							
44	2	124450-44530	CAP	1							
45	2	124450-44560	RETAINER	1							
46	2	23061-070230	PIPE, 7X 230	1							
47	1	124450-44550	BAND	1							
48	1	121256-44600	BRACKET, SUB TANK	1							

N:Old $\frac{New}{Old}$ New, Q:Old $\frac{New}{Old}$ New, R:Old $\frac{New}{Old}$ New, S:Old $\frac{New}{Old}$ New, W:Add, Z:Discontinued, F:Interchangeable by set, K:Q'ty Change
 Copyright (C) YANMAR CO., LTD. All Rights Reserved.

OCW10-M14500

Fig.11. FUEL INJECTION PUMP



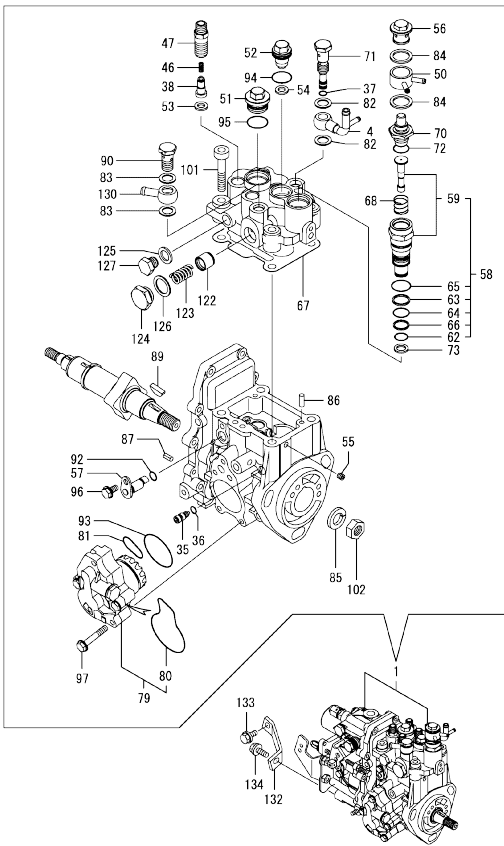
Remarks
 (1) GOVERNOR ASSY(FIG.12) IS
 INCORPORATED IN THIS FOP.CMP
 (REF.NO.1).

No.	Lev.	Parts No.	Description	Q'ty						I	R
				(A)	(B)	(C)	(D)	(E)	(F)		
1	1	729602-51350	PUMP ASSY, INJECTION	1							1
4	2	158552-51670	JOINT, OVER FLOW	1							
35	2	158600-51270	STOPPER, TAPPET	1							
36	2	158563-51281	O-RING, 4D S6	1							
37	2	158563-51281	O-RING, 4D S6	1							
38	2	158560-51300	VALVE ASSY, DELIVERY	4							
46	2	158563-51330	SPRING, DELIVERY	4							
47	2	158601-51340	HOLDER, DELIVERY	4							
50	2	158553-51551	JOINT	1							
51	2	158601-51550	PLUG	1							
52	2	119802-51560	PLUG, BARREL	1							
53	2	158552-51570	GASKET	4							
54	2	158552-51570	GASKET	1							
55	2	158557-51570	PLUG	1							
56	2	158601-51570	PLUG	1							
57	2	158552-51580	LIFTER	1							
58	2	119802-51590	TIMER SET	1							
59	3	119802-51600	TIMER ASSY	1							
62	3	158553-51670	O-RING, 1011	1							
63	3	119802-51680	RING, BACK UP	1							
64	3	119802-51690	O-RING	1							
65	3	24356-010200	O-RING, 4D1020	1							
66	3	24372-000150	RING, BACK UP T2P15	1							
67	2	158552-51600	GASKET	1							
68	2	158553-51630	SPRING, TIMER	1							
70	2	158553-51640	ELEMENT	1							
71	2	158601-51650	JOINT, OVER FLOW	1							
72	2	158553-51660	O-RING, P14	1							
73	2	158553-51680	GASKET	1							
79	2	158552-52100	PUMP ASSY, FUEL FEED	1							
80	3	158552-52500	O-RING	1							
81	2	158552-52310	O-RING	1							
82	2	22190-120002	WASHER, SEAL 12	2							
83	2	22190-120002	WASHER, SEAL 12	2							
84	2	22190-180002	WASHER, SEAL 18	2							
85	2	22217-140000	WASHER, SPRING 14	1							
86	2	22312-050140	PIN, PARALLEL M5X14	2							
87	2	22351-050010	PIN, SPRING 5.0X10	2							
89	2	119802-51090	KEY, 4X16	1							
90	2	23857-060000	BOLT, JOINT 6	1							
92	2	24311-000070	O-RING, 1AP7.0	1							
93	2	158552-52400	O-RING, 4E S42	1							
94	2	24356-010180	O-RING, 4D1018	1							
95	2	24356-010200	O-RING, 4D1020	1							
96	2	26106-060102	BOLT, M6X 10 PLATED	1							
97	2	158553-51770	BOLT	4							
101	2	26450-080452	BOLT, M8X 45	4							
102	2	26776-140002	NUT, LOCK M14	1							
122	2	158601-51770	PISTON	1							
123	2	158552-51781	SPRING	1							
124	2	158601-51790	PLUG	1							

N:Old $\frac{New}{Old}$ New, Q:Old $\frac{New}{Old}$ New, R:Old $\frac{New}{Old}$ New, S:Old $\frac{New}{Old}$ New, W:Add, Z:Discontinued, F:Interchangeable by set, K:Q'ty Change
 ++ CONTINUE ++
 Copyright (C) YANMAR CO., LTD. All Rights Reserved.

OCW10-M14500

Fig.11. FUEL INJECTION PUMP



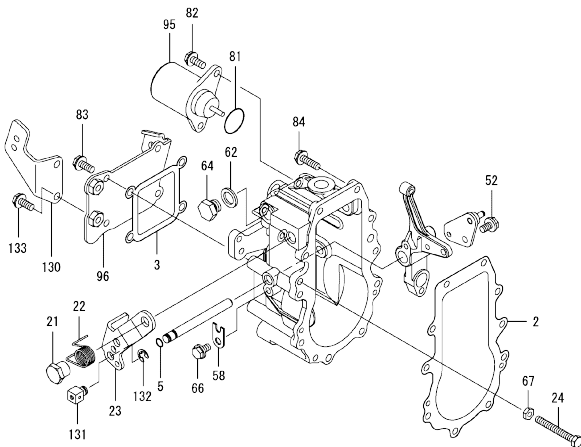
No.	Lev.	Parts No.	Description	Q'ty						I	R
				(A)	(B)	(C)	(D)	(E)	(F)		
125	2	22190-120002	WASHER, SEAL 12	1							
126	2	22190-180002	WASHER, SEAL 18	1							
127	2	23887-120002	PLUG, 12	1							
130	2	129916-59020	JOINT, PIPE 12	1							
132	1	129601-51250	RETAINER, PUMP	1							
133	1	26106-080162	BOLT, M8X 16 PLATED	1							
134	1	26106-080202	BOLT, M8X 20 PLATED	1							

Remarks
 (1) GOVERNOR ASSY(FIG.12) IS
 INCORPORATED IN THIS FOP.CMP
 (REF.NO.1).

N:Old $\frac{100}{100}$ New, Q:Old $\frac{100}{100}$ New, R:Old $\frac{100}{100}$ New, S:Old $\frac{100}{100}$ New, W:Add, Z:Discontinued, F:Interchangeable by set, K:Q'ty Change
 Copyright (C) YANMAR CO., LTD. All Rights Reserved.

OCW10-M14500

Fig.12. GOVERNOR

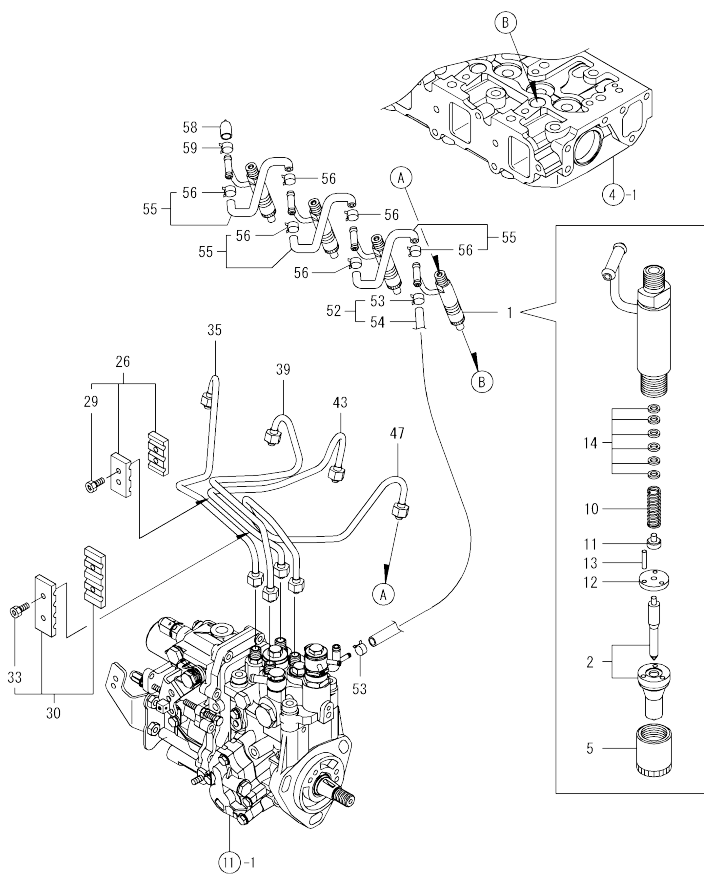


No.	Lev.	Parts No.	Description	Q'ty						I	R
				(A)	(B)	(C)	(D)	(E)	(F)		
2	2	158553-61050	GASKET	1							
3	2	158553-61070	GASKET	1							
5	2	129155-51280	O-RING, S6	1							
21	2	129255-61410	NUT, LOCK	1							
22	2	119807-61420	SPRING, RETURN	1							
23	2	158552-61441	LEVER, REGULATOR	1							
52	2	26106-060102	BOLT, M6X 10 PLATED	1							
58	2	119660-61901	RETAINER, SHAFT	1							
62	2	22190-120000	WASHER, SEAL 12	1							
64	2	23887-120002	PLUG, 12	1							
66	2	26106-060102	BOLT, M6X 10 PLATED	1							
67	2	26756-060002	NUT, LOCK M6	1							
81	2	158552-61900	O-RING	1							
82	2	26106-060142	BOLT, M6X 14 PLATED	2							
83	2	26106-060142	BOLT, M6X 14 PLATED	4							
84	2	26106-060202	BOLT, M6X 20 PLATED	10							
95	2	119653-77950	SOLENOID, STOP	1							
96	2	158552-61061	COVER, GOVERNOR CASE	1							
130	2	129233-66910	SUPPORT, WIRE	1							
131	2	124756-67510	RETAINER	1							
132	2	22272-000070	RING, E- 7	1							
133	2	26106-060142	BOLT, M6X 14 PLATED	2							

Remarks
 * THIS FIGURE(GOVERNOR ASSY)IS
 INCORPORATED IN THE FUEL INJECTION
 PUMP ASSY(FIG.11).

N:Old $\frac{100}{100}$ New, Q:Old $\frac{100}{100}$ New, R:Old $\frac{100}{100}$ New, S:Old $\frac{100}{100}$ New, W:Add, Z:Discontinued, F:Interchangeable by set, K:Q'ty Change
 Copyright (C) YANMAR CO., LTD. All Rights Reserved.

Fig.13. FUEL INJECTION VALVE

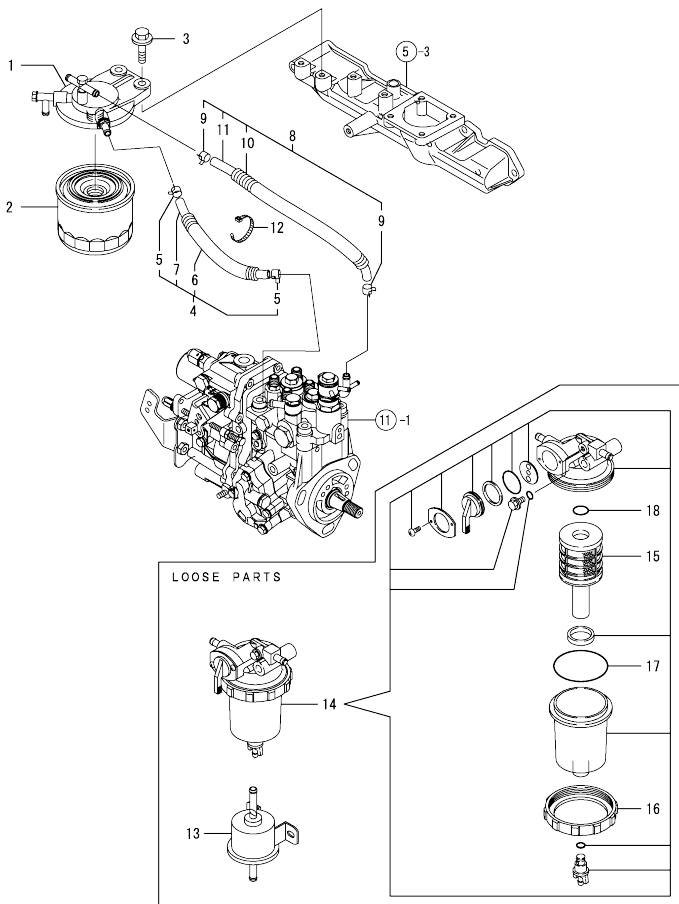


No.	Lev.	Parts No.	Description	Q'ty					
				(A)	(B)	(C)	(D)	(E)	(F)
1	1	729645-53100	VALVE ASSY,INJECTION	4					
2	2	129602-53001	VALVE ASSY,INJECTION	4					
5	2	114250-53080	NUT, NOZZLE D16.95	4					
10	2	114250-53120	SPRING, NOZZLE	4					
11	2	114250-53130	SEAT, SPRING	4					
12	2	114250-53140	PLATE	4					
13	2	114250-53210	PIN	8					
14	2	114250-53400	SHIM SET	4					
26	1	129150-59120	RETAINER, PIPE	1					
29	2	129150-59131	BOLT, M4X14	2					
30	1	129550-59120	RETAINER, PIPE	1					
33	2	129150-59131	BOLT, M4X14	2					
35	1	129601-59810	PIPE ASSY, INJECTION	1					
39	1	129601-59820	PIPE ASSY, INJECTION	1					
43	1	129601-59830	PIPE ASSY, INJECTION	1					
47	1	129601-59840	PIPE ASSY, INJECTION	1					
52	1	119802-59550	PIPE ASSY, RETURN	1					
53	2	124722-59050	CLIP, HOSE 9	2					
54	2	119802-59560	PIPE, FUEL RETURN	1					
55	1	129486-59551	PIPE ASSY, RETURN	3					
56	2	124722-59050	CLIP, HOSE 9	6					
58	1	119593-59581	CAP	1					
59	1	124060-77680	CLIP, HOSE 10	1					

N:Old $\frac{100}{100}$ New, Q:Old $\frac{100}{100}$ New, R:Old $\frac{100}{100}$ New, S:Old $\frac{100}{100}$ New, W:Add, Z:Discontinued, F:Interchangeable by set, K:Q'ty Change
 Copyright (C) YANMAR CO., LTD. All Rights Reserved.

OCW10-M14500

Fig.14. FUEL LINE

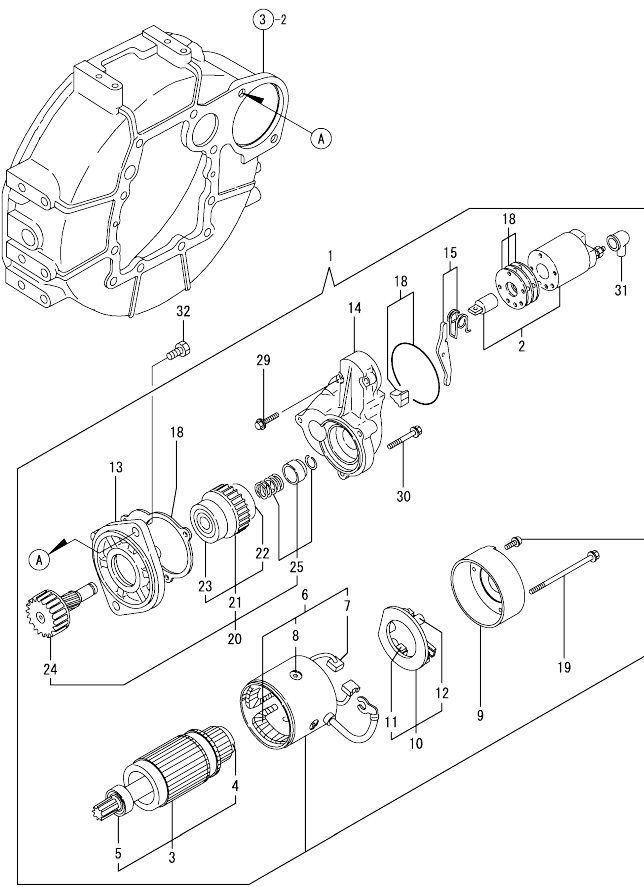


No.	Lev.	Parts No.	Description	Q'ty						I	R
				(A)	(B)	(C)	(D)	(E)	(F)		
1	1	129004-55612	BRACKET, FILTER	1							
2	1	119802-55801	FILTER, FUEL	1							
3	1	26106-080302	BOLT, M8X 30 PLATED	2							
4	1	129956-59010	PIPE ASSY, FUEL	1							
5	2	124766-59050	CLIP, HOSE 12	2							
6	2	129957-59101	TUBE, CORRUGATED	1							
7	2	105225-59511	PIPE, FUEL	1							
8	1	129950-59311	PIPE, FUEL	1							
9	2	124766-59050	CLIP, HOSE 12	2							
10	2	129961-59110	TUBE, CORRUGATED	1							
11	2	105025-59580	PIPE, FUEL	1							
12	1	121750-59890	BAND, 140	1							
13	1	119225-52102	PUMP ASSY, FUEL FEED	1							
14	1	119802-55700	SEPARATOR ASSY	1							
15	2	119802-55710	ELEMENT	1							
16	2	129100-55690	RING, RETAINING	1							
17	2	24321-000650	O-RING, 1AG65.0	1							
18	2	24311-000160	O-RING, 1AP16.0	1							

N:Old $\frac{100}{100}$ New, Q:Old $\frac{100}{100}$ New, R:Old $\frac{100}{100}$ New, S:Old $\frac{100}{100}$ New, W:Add, Z:Discontinued, F:Interchangeable by set, K:Q'ty Change
 Copyright (C) YANMAR CO., LTD. All Rights Reserved.

OCW10-M14500

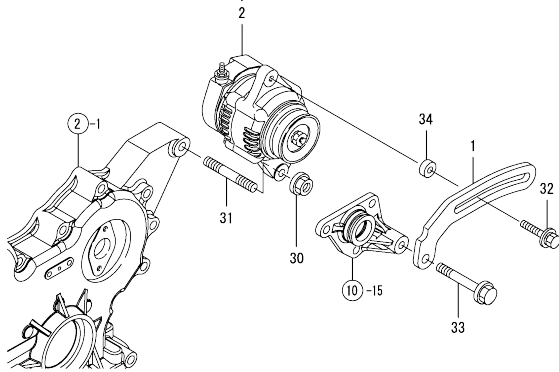
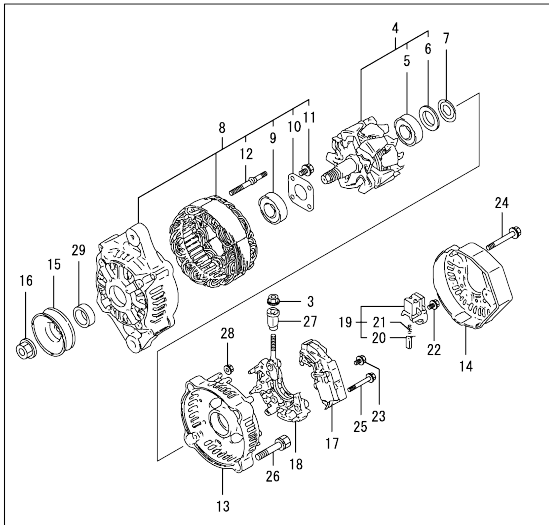
Fig.15. STARTING MOTOR



No.	Lev.	Parts No.	Description	Q'ty					
				(A)	(B)	(C)	(D)	(E)	(F)
1	1	129136-77011	STARTER	1					
2	2	129136-77310	SWITCH ASSY	1					
3	2	129900-77400	ARMATURE ASSY	1					
4	3	X2130350900	BALL BEARING	1					
5	3	X2114255110	BEARING, BALL	1					
6	2	129900-77440	COIL ASSY, FIELD	1					
7	3	129900-77450	BRUSH (+)	2					
8	3	171008-77450	SCREW	4					
9	2	129900-77460	COVER, REAR	1					
10	2	129900-77480	HOLDER ASSY, BRASH	1					
11	3	129900-77450	BRUSH (+)	2					
12	3	129400-77490	SPRING, BRUSH	4					
13	2	171008-77510	HOUSING ASSY, GEAR	1					
14	2	129136-77520	CENTER HOUSING	1					
15	2	171008-77540	LEVER SET, SHIFT	1					
18	2	129400-77571	DUST COVER, (NON-ASB.	1					
19	2	129900-77640	BOLT, THROUGHT	2					
20	2	171008-77650	PINION ASSY	1					
21	3	X2114555500	CLUTCH ASSY	1					
22	4	X2114955020	BALL BEARING	1					
23	4	X2240410100	BEARING, BALL	1					
24	3	171008-77660	SHAFT, PINION	1					
25	3	171008-77670	STOPPER SET, PINION	1					
29	2	26106-060322	BOLT, M6X 32 PLATED	2					
30	2	26106-060402	BOLT, M6X 40 PLATED	3					
31	2	171008-77750	COVER, M TERMINAL	1					
32	1	26116-120252	BOLT, M12X 25 PLATED	2					

N:Old $\frac{100}{100}$ New, Q:Old $\frac{100}{100}$ New, R:Old $\frac{100}{100}$ New, S:Old $\frac{100}{100}$ New, W:Add, Z:Discontinued, F:Interchangeable by set, K:Q'ty Change
 Copyright (C) YANMAR CO., LTD. All Rights Reserved.

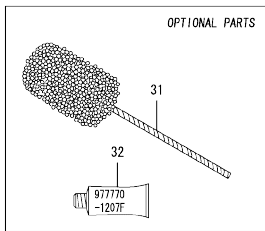
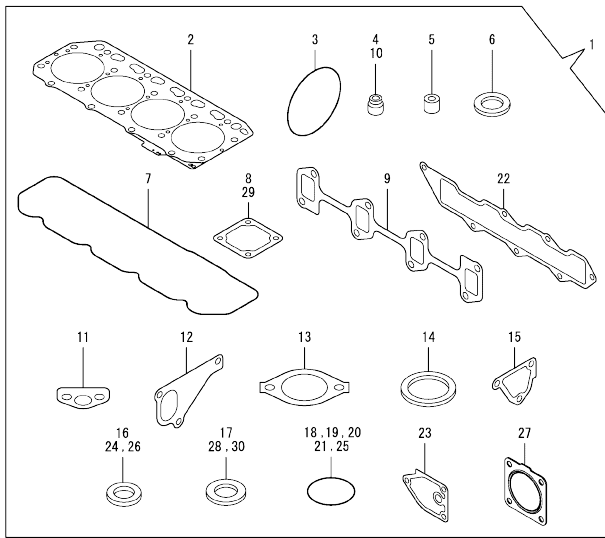
Fig.16. GENERATOR



No.	Lev.	Parts No.	Description	Q'ty					
				(A)	(B)	(C)	(D)	(E)	(F)
1	1	119940-77330	ADJUSTER	1					
2	1	129423-77200	GENERATOR, 12V-40A	1					
3	2	X9490561001	NUT	1					
4	2	119620-77380	ROTOR ASSY	1					
5	3	123501-79240	BEARING, BALL	1					
6	3	119620-79250	COVER, BEARING	1					
7	2	119620-79360	WASHER, THRUST	1					
8	2	119620-77421	FRAME ASSY, DRIVE	1					
9	3	119620-79200	BALL BEARING	1					
10	3	119620-79210	PLATE	1					
11	3	119620-79220	SCREW	4					
12	3	119620-79230	BOLT, STUD	2					
13	2	119620-77440	FLAME ASSY, REAR	1					
14	2	129240-79300	COVER	1					
15	2	119620-77461	PULLEY	1					
16	2	119620-77471	NUT	1					
17	2	129423-77710	REGULATOR ASSY	1					
18	2	119620-79260	HOLDER	1					
19	2	129052-79270	HOLDER, BRUSH	1					
20	3	119620-77480	BRUSH ASSY	2					
21	3	119620-79280	SPRING	2					
22	2	119620-79290	SCREW	6					
23	2	119620-79300	SCREW	1					
24	2	119620-79310	BOLT	3					
25	2	119620-79320	SCREW W/WASHER	2					
26	2	119620-79330	BOLT	2					
27	2	119620-79340	INSULATION BUSH	1					
28	2	119620-79350	NUT	2					
29	2	119620-77490	COLLAR	1					
30	1	26306-100002	NUT, M10	1					
31	1	129795-01900	STUD	1					
32	1	129972-77341	BOLT, ADJUSTER L=50	1					
33	1	26106-080452	BOLT, M8X 45 PLATED	1					
34	1	119940-77270	SPACER, GENERATOR	1					

OCW10-M14500

Fig.17. GASKET SET



Remarks
(1) OPTIONAL PARTS.

No.	Lev.	Parts No.	Description	Q'ty						I	R
				(A)	(B)	(C)	(D)	(E)	(F)		
1	1	729150-92940	GASKET SET	1							1
2	2	129407-01340	GASKET, HEAD	1							
3	2	121850-51960	O-RING	1							
4	2	124460-11340	SEAL, VALVE STEM	4							
5	2	119802-11870	PROTECTOR, NOZZLE	4							
6	2	119625-11880	SEAT, NOZZLE	4							
7	2	129601-11310	GASKET, BONNET	1							
8	2	129150-77511	GASKET	2							
9	2	129550-13110	GASKET	1							
10	2	121400-11340	SEAL, VALVE STEM	4							
11	2	129150-35042	GASKET	1							
12	2	129486-42021	GASKET, WATER PUMP	1							
13	2	129795-49551	GASKET	1							
14	2	129150-49811	GASKET, THERMOSTAT	1							
15	2	124395-49840	GASKET	1							
16	2	22190-080002	WASHER, SEAL 6	2							
17	2	124465-44950	GASKET, 16	1							
18	2	24311-000120	O-RING, 1AP12.0	3							
19	2	24311-000320	O-RING, 1AP32.0	2							
20	2	24341-000240	O-RING, 1AS24.0	1							
21	2	129486-42140	O-RING, G30	1							
22	2	129407-12110	GASKET, MANIFOLD	1							
23	2	129150-35111	GASKET	1							
24	2	22190-220002	WASHER, SEAL 22	1							
25	2	119609-32040	O-RING, P16	4							
26	2	22190-100002	WASHER, SEAL 10	2							
27	2	129930-13201	GASKET, SILENCER	1							
28	2	23414-080000	GASKET, 8X1.0	1							
29	2	129100-77510	GASKET, AIR HEATER	1							
30	2	129150-49360	GASKET	1							
31	1	129400-92430	HONE	1							1
32	1	977770-1207F	GASKET,LIQUID	1							1

N:Old $\frac{100}{100}$ New, Q:Old $\frac{100}{100}$ New, R:Old $\frac{100}{100}$ New, S:Old $\frac{100}{100}$ New, W:Add, Z:Discontinued, F:Interchangeable by set, K:Q'ty Change
Copyright (C) YANMAR CO., LTD. All Rights Reserved.

Parts No. Index

Parts No.	Fig. No.	Ref. No.	Parts No.	Fig. No.	Ref. No.	Parts No.	Fig. No.	Ref. No.	Parts No.	Fig. No.	Ref. No.
105025-59580	14	11	119802-11270	4	27	123900-13610	6	3	129005-22950	8	35
105225-59511	14	7	119802-11870	4	19	123900-13630	6	4	129005-59830	9	9
114250-39450	9	6		17	5	124060-01050	1	10	129006-35100	9	15
114250-53080	13	5	119802-21202	8	5	124060-77680	13	59	129006-44480	9	21
114250-53120	13	10	119802-21650	8	9	124160-01751	2	14	129052-79270	16	19
114250-53130	13	11	119802-25051	7	9		4	50	129100-01580	3	1
114250-53140	13	12	119802-25071	7	13	124160-01910	1	5			15
114250-53210	13	13	119802-25101	7	10			15		8	2
114250-53400	13	14	119802-25901	7	15	124160-11360	4	52	129100-01640	3	16
119131-18320	6	5	119802-32070	2	8	124160-39140	9	7	129100-11112	4	11
119225-52102	14	13	119802-32100	2	7	124240-01871	2	15	129100-23910	8	29
119593-59581	13	58	119802-32111	2	18	124250-49351	10	29	129100-42051	10	3
119609-32040	2	17	119802-32120	2	19	124395-49840	10	17	129100-42121	10	4
	17	25	119802-32130	2	20		17	15	129100-55690	14	16
119620-01750	3	3	119802-35110	9	16	124450-44510	10	42	129100-77501	5	8
119620-49290	9	35	119802-39450	9	8	124450-44530	10	44	129100-77510	5	9
119620-77380	16	4	119802-49113	10	10	124450-44550	10	47		17	29
119620-77421	16	8	119802-49730	10	33	124450-44560	10	45	129103-49301	9	22
119620-77440	16	13	119802-51090	11	89	124460-11340	4	17	129120-42350	10	20
119620-77461	16	15	119802-51560	11	52		17	4	129136-77011	15	1
119620-77471	16	16	119802-51590	11	58	124465-44950	10	41	129136-77310	15	2
119620-77480	16	20	119802-51600	11	59		17	17	129136-77520	15	14
119620-77490	16	29	119802-51680	11	63	124722-59050	10	34	129150-01200	1	31
119620-79200	16	9	119802-51690	11	64			37	129150-02020	1	7
119620-79210	16	10	119802-55700	14	14		13	53	129150-02450	7	4
119620-79220	16	11	119802-55710	14	15			56	129150-02871	1	34
119620-79230	16	12	119802-55801	14	2	124756-67510	12	131	129150-02931	1	28
119620-79250	16	6	119802-59550	13	52	124766-59050	14	5	129150-02941	1	37
119620-79260	16	18	119802-59560	13	54			9	129150-03070	4	40
119620-79280	16	21	119807-61420	12	22	129001-01250	1	11	129150-11230	4	32
119620-79290	16	22	119865-21600	8	16	129001-02931	1	25	129150-11280	4	28
119620-79300	16	23	119940-59130	9	32	129001-32330	2	11	129150-11370	4	18
119620-79310	16	24	119940-77270	16	34	129001-91841	2	22	129150-11750	4	34
119620-79320	16	25	119940-77330	16	1	129004-01190	1	33	129150-11810	4	7
119620-79330	16	26	120130-11860	4	5	129004-03010	4	39	129150-14101	7	7
119620-79340	16	27	120270-54410	4	23	129004-11650	4	31	129150-14200	7	1
119620-79350	16	28	121023-01551	2	28	129004-11900	4	21	129150-14400	7	2
119620-79360	16	7	121111-21501	8	12	129004-34802	9	1	129150-23601	8	31
119625-11880	4	20	121250-44901	10	30	129004-42001	10	1	129150-23611	8	39
	17	6	121256-44600	10	48	129004-42040	10	15	129150-25301	7	16
119640-01640	3	9	121400-11340	4	16	129004-49610	10	31	129150-35042	9	3
119653-77950	12	95		17	10	129004-49620	10	35		17	11
119660-61901	12	58	121520-34810	9	2	129004-49711	10	32	129150-35111	9	19
119802-01520	2	12	121550-23200	8	30	129004-49721	10	36		17	23
119802-01561	2	13	121750-59890	14	12	129004-55612	14	1	129150-35153	9	20
119802-03110	4	41	121850-21680	8	11	129005-03080	5	1	129150-49360	10	40
119802-03121	4	42	121850-42410	10	8	129005-11100	4	10		17	30
119802-03130	4	43	121850-51960	2	21	129005-22080	8	17	129150-49811	10	24
119802-03141	4	44		17	3	129005-22500	8	19		17	14
119802-11260	4	26	123501-79240	16	5	129005-22900	8	33	129150-59120	13	26

Parts No. Index

Parts No.	Fig. No.	Ref. No.
129150-59131	13	29
		33
129150-77511	5	10
	17	8
129155-51280	12	5
129170-12580	5	14
129202-22300	8	23
129233-66910	12	130
129240-79300	16	14
129255-61410	12	21
129350-49530	10	25
129400-01730	3	6
129400-01770	3	8
129400-77490	15	12
129400-77571	15	18
129400-92430	17	31
129407-01340	1	32
	17	2
129407-12110	5	5
	17	22
129410-03990	5	2
129411-13100	6	1
129417-33110	9	25
129417-35150	9	17
129418-32320	2	10
129423-77200	16	2
129423-77710	16	17
129436-35070	9	4 -1
129436-35091	9	4
129457-49801	10	23
129486-01670	3	19
129486-42021	10	14
	17	12
129486-42140	10	16
	17	21
129486-59551	13	55
129508-33010	9	23
129508-33050	9	24
129508-49030	9	26
129508-49040	9	30
129550-13110	6	2
	17	9
129550-59120	13	30
129601-11241	4	25
129601-11251	4	29
129601-11310	4	47
	17	7
129601-11350	4	38
129601-21002	8	1
129601-51250	11	132

Parts No.	Fig. No.	Ref. No.
129601-59810	13	35
129601-59820	13	39
129601-59830	13	43
129601-59840	13	47
129602-11700	4	1
129602-12100	5	3
129602-53001	13	2
129612-01600	3	2
129688-01780	3	8 -1
129795-01780	3	18
129795-01800	2	6
129795-01900	16	31
129795-01950	2	16
129795-02412	1	14
129795-11120	4	12
129795-11180	4	13
129795-21661	8	10
129795-49551	10	26
	17	13
129900-07900	4	54
129900-32130	2	9
129900-77400	15	3
129900-77440	15	6
129900-77450	15	7
		11
129900-77460	15	9
129900-77480	15	10
129900-77640	15	19
129916-49740	10	13
129916-59020	11	130
129930-13201	6	7
	17	27
129950-59311	14	8
129956-59010	14	4
129957-59101	14	6
129961-59110	14	10
129972-77341	16	32
158552-51151	7	18
158552-51570	11	53
		54
158552-51580	11	57
158552-51600	11	67
158552-51670	11	4
158552-51781	11	123
158552-52100	11	79
158552-52310	11	81
158552-52400	11	93
158552-52500	11	80
158552-61061	12	96
158552-61441	12	23

Parts No.	Fig. No.	Ref. No.
158552-61900	12	81
158553-51551	11	50
158553-51630	11	68
158553-51640	11	70
158553-51660	11	72
158553-51670	11	62
158553-51680	11	73
158553-51770	11	97
158553-61050	12	2
158553-61070	12	3
158557-51570	11	55
158560-51300	11	38
158563-51281	11	36
		37
158563-51330	11	46
158600-51270	11	35
158601-51340	11	47
158601-51550	11	51
158601-51570	11	56
158601-51650	11	71
158601-51770	11	122
158601-51790	11	124
171008-03990	9	27
171008-77450	15	8
171008-77510	15	13
171008-77540	15	15
171008-77650	15	20
171008-77660	15	24
171008-77670	15	25
171008-77750	15	31
171051-01921	1	6
171340-77520	5	11
171420-21580	8	13
22190-080002	9	11
		13
	17	16
22190-100002	9	12
	17	26
22190-120000	12	62
22190-120002	11	82
		83
		125
22190-180002	11	84
		126
22190-220002	3	11
	17	24
22217-140000	7	19
	11	85
22252-000260	8	24
22272-000070	12	132

Parts No.	Fig. No.	Ref. No.
22312-050140	11	86
22351-030010	8	8
22351-050010	11	87
22351-060012	4	22
22512-070140	7	8
	8	6
22857-500100	4	48
		49
23061-070230	10	46
23080-015000	9	29
		33
23080-018000	9	34
23414-080000	10	28
	17	28
23857-030000	9	10
23857-060000	11	90
23876-010000	10	11
23876-020000	10	12
23876-030000	2	4
23876-040000	2	5
23887-120002	11	127
	12	64
24311-000070	11	92
24311-000120	4	53
	17	18
24311-000160	14	18
24311-000320	2	23
	4	51
	17	19
24321-000650	14	17
24341-000240	2	29
	17	20
24356-010180	11	94
24356-010200	11	65
		95
24372-000150	11	66
25132-003800	10	21
26106-060102	11	96
	12	52
		66
26106-060122	10	38
26106-060142	12	82
		83
		133
26106-060162	2	30
26106-060202	12	84
26106-060322	15	29
26106-060402	15	30
26106-080122	10	22
26106-080142	7	17

Parts No. Index

Parts No.	Fig. No.	Ref. No.
26106-080162	2	24
		25
	3	12
	4	55
	10	18
	11	133
26106-080202	5	6
	9	18
	11	134
26106-080222	10	27
26106-080252	3	13
	4	36
26106-080302	14	3
26106-080352	3	20
	4	24
	9	5
26106-080402	7	14
26106-080452	3	14
		14 -1
	10	39
	16	33
26106-080502	3	22
	4	37
26106-080552	2	26
	9	5 -1
26106-080602	5	12
	10	19
26106-080802	5	7
26106-081002	5	13
26116-120252	15	32
26206-100252	3	4
26206-100302	3	5
26226-080182	4	35
26306-080002	2	27
	6	6
26306-100002	16	30
26366-060002	9	14
26450-080452	11	101
26756-060002	12	67
26776-140002	7	20
	11	102
27241-120000	1	12
27241-300000	1	13
27241-400000	4	9
27310-080001	4	14
719802-01500	2	1
729150-92940	17	1
729402-14580	7	3
729402-23100	8	25
729602-01560	1	1

Parts No.	Fig. No.	Ref. No.
729602-51350	11	1
729645-53100	13	1
977770-1207F	2	31
	3	21
	4	56
	17	32
	15	5
	15	21
X2114255110	15	22
X2114555500	15	4
X2114955020	15	23
X2130350900	15	3
X2240410100	16	
X9490561001	16	

Parts No.	Fig. No.	Ref. No.
-----------	----------	----------

Parts No.	Fig. No.	Ref. No.
-----------	----------	----------