

0CW10-M03900EN

PREFACE

1.This Parts Catalog carries all parts incorporated in YANMAR Model 4TNV88-XAT engine manufactured since June, 2005.

2.Each illustration corresponds to the parts list on the following page.

3.When ordering parts,clearly write down the engine model and serial number,as well as the name and number of each part in your order sheet. This will help insure reliable delivery of the parts you have ordered.

Directions for the Parts Catalog.

1. The parts stipulated in this Parts Catalog are not necessarily standard equipped parts.
2. Parts may change without prior notice.
3. The following is an example of the Parts Catalog format.

REF.	LEV.	PARTS NO.	DESCRIPTION	Q'TY						I	R
				(A)	(B)	(C)	(D)	(E)	(F)		
1	1	729595-51390	FUEL INJECTION PUMP	1	1	1	1	1			1
1-1	1	729595-51391	FUEL INJECTION PUMP	1	1	1	1	1		N	1
		(A=E00185) (B=E00200)									
3	2	26022-060162	SCREW M 6X 16	9	9	9	9	9			
3-1	2	26022-060162	SCREW M 6X 16	4	4	4	4	4		K	
		(A=E00156) (B=E00156) (C=E00156) (D=E00156) (E=E00156)									
4	2	129470-51040	CAMSHAFT	1	1	1	1	1			
5	2	122710-51050	BEARING, ROLLER	2	2	2	2	2			
6	2	129470-51060	RETAINER	1	1	1	1	1			

Remarks
(1) BOOST COMPEMSATOR TYPE. OPTIONAL PART, TO E00155,(4JH-DT, 4JH-DTZ

① Ref. No.

The Ref. No. listed may not be in accordance with the illustration Ref. No.

(Ex.) Illustration No.

List Ref No.

1 1 (Before change) → 1-1 (After change)

For interchangeable symbols N, R and K, illustrations for new parts may be abbreviated.

② Lev. (Level)

Level indication

The numbers below indicate the level of relativity towards the main part.

1 ---- Main parts (Assembly parts)

2 ---- Sub component included in " 1 ".

3 ---- Sub component included in " 2 ".

Note) Parts that are not for sale are partially illustrated but not listed.

③ Interchangeability Mark

When a part change takes place, one of the following interchangeability symbols is indicated beside the part.

Symbol	Interchangeability	Contents note
N	Old $\begin{matrix} \leftarrow \text{Yes} \\ \text{No} \rightarrow \end{matrix}$ New	New Part is interchangeable for Old Part but Old Part is not interchangeable for New Part.
Q	Old $\begin{matrix} \leftarrow \text{No} \\ \text{Yes} \rightarrow \end{matrix}$ New	New Part is not interchangeable for Old Part but Old Part is interchangeable for New Part.
R	Old $\begin{matrix} \leftarrow \text{Yes} \\ \text{Yes} \rightarrow \end{matrix}$ New	New/ Old Parts are both interchangeable.
S	Old $\begin{matrix} \leftarrow \text{No} \\ \text{No} \rightarrow \end{matrix}$ New	New/ Old Parts are both not interchangeable.
W		Part discontinued.
Z		Part newly added.
F		Not interchangeable by a single part but interchangeable together with related parts.
K		Changes only for used parts quantities.

④ Effective Machine No.

When a part changes, the effective Machine No. will be indicated in the (A)-(F) column.

Product Symbol	Product No.	Product Symbol	Product No.
C	Clutch No. Compressor No.	F	Machine No. (Agricultural Equip.)
D	Drive No.	M	Machine No.
E	Engine No.	Note 1)	Date

Note 1) A date may follow the symbol. (Ex.) 1996.01

Note 2) " XXX " are for parts that could not be predicted or for engine models that could not be identified.

Note 3) (A=E00185) is the E (Engine Serial Number) for the column (A) model (in this case 4JH-DT) after the parts design change.

⑤ Remarks Mark

Figures or alphabets (symbols) are entered in the remarks column.

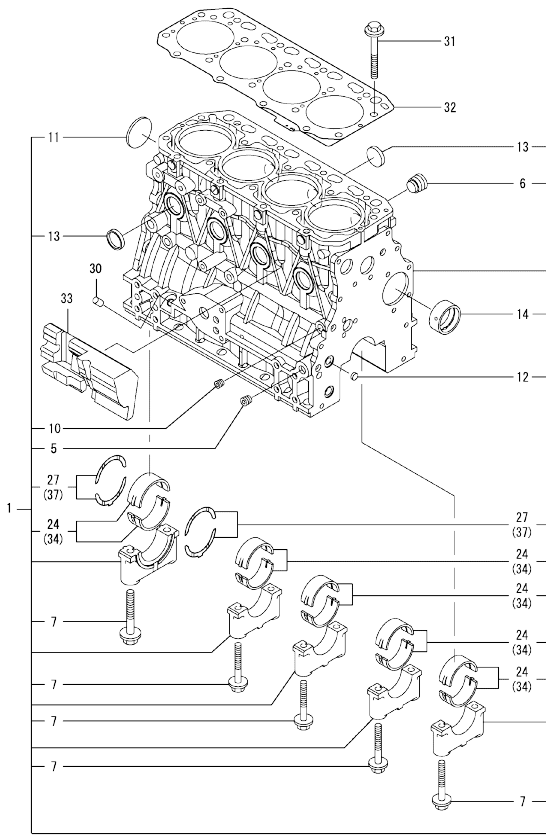
The comments (remarks) on parts that are indicated at the bottom of the illustration are the same symbols as those stated above.

Contents

Fig. No.	Fig. Name	Fig. No.	Fig. Name
ENGINE 4TNV88-XAT			
	1. CYLINDER BLOCK		
	2. GEAR HOUSING		
	3. OIL SUMP		
	4. CYLINDER HEAD & BONNET		
	5. SUCTION MANIFOLD		
	6. EXHAUST MANIFOLD		
	7. CAMSHAFT & DRIVING GEAR		
	8. CRANKSHAFT & PISTON		
	9. BALANCER		
	10. LUB.OIL SYSTEM		
	11. COOLING WATER SYSTEM		
	12. FUEL INJECTION PUMP		
	13. GOVERNOR		
	14. FUEL INJECTION VALVE		
	15. STARTING MOTOR		
	16. GASKET SET		

OCW10-M03900

Fig.1. CYLINDER BLOCK



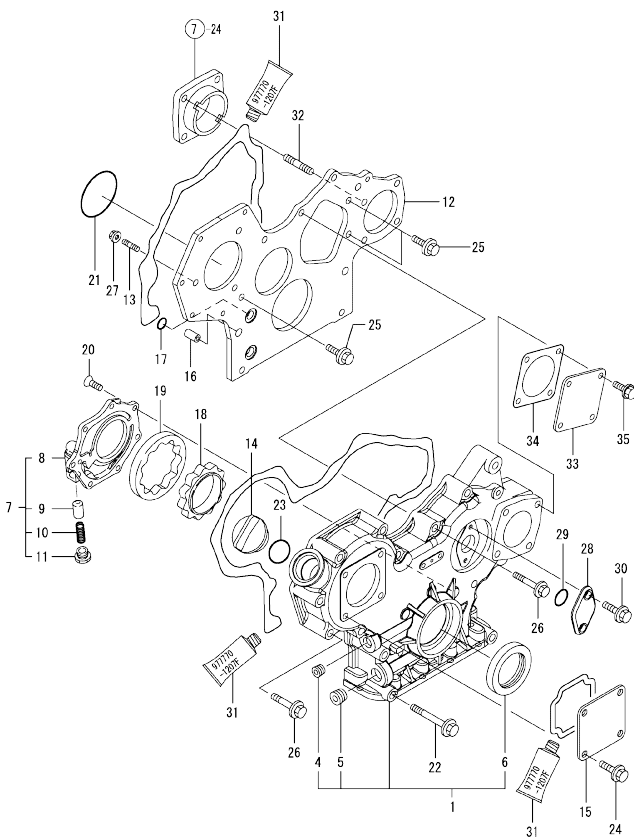
Remarks

- (1) UNDER-SIZE(U.S=0.25)PART.
- (2) OVER-SIZE(O.S=0.25)PART.
- (3) REPAIR PART.

No.	Lev.	Parts No.	Description	Q'ty						I	R
				(A)	(B)	(C)	(D)	(E)	(F)		
1	1	729659-01570	BLOCK ASSY, CYLINDER	1							
5	2	124160-01910	PLUG, PT1/4	2							
6	2	171051-01921	PLUG, NPTF1	1							
7	2	129150-02020	BOLT, METAL CAP	10							
10	2	124060-01050	PLUG, PT1/8	1							
11	2	129001-01250	PLUG, 50	1							
12	2	27241-120000	PLUG, 12	2							
13	2	27241-300000	PLUG 30	8							
14	2	129795-02411	BUSH, CAMSHAFT	1							
24	2	129001-02930	BEARING, MAIN	5							3
27	2	129150-02930	BEARING, THRUST	2							
30	1	119309-01810	PLUG	1							
31	1	129150-01200	BOLT, HEAD	18							
32	1	129407-01340	GASKET, HEAD	1							
33	1	129004-01190	SPACER	1							
34	1	129150-02870	BEARING, 0.25 US	5							1
37	1	129150-02940	BEARING, THRUST 0.25	1							2

0CW10-M03900

Fig.2. GEAR HOUSING



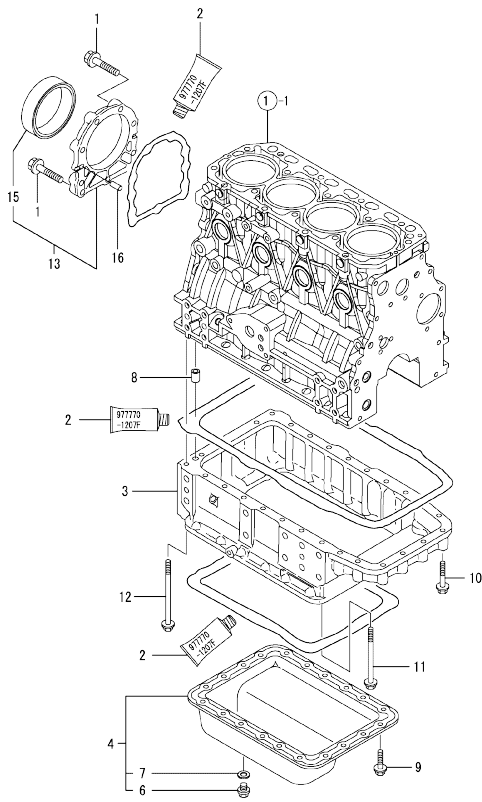
No.	Lev.	Parts No.	Description	Q'ty						I	R
				(A)	(B)	(C)	(D)	(E)	(F)		
1	1	729004-01500	CASE ASSY, GEAR	1							
4	2	23876-030000	PLUG, R03	1							
5	2	23876-040000	PLUG, R04	1							
6	2	129795-01800	SEAL, OIL	1							
7	1	119802-32100	COVER ASSY	1							
8	2	119802-32070	COVER	1							
9	2	129900-32130	VALVE, RELIEF	1							
10	2	129418-32320	SPRING	1							
11	2	129001-32330	PLUG	1							
12	1	129004-01520	FLANGE, GEAR CASE	1							
13	1	119802-01560	STUD, M8X25	3							
14	1	124160-01751	COVER, FILLER	1							
15	1	124240-01871	COVER	1							
16	1	129795-01950	PIPE, KNOCK L=18	2							
17	1	119609-32040	O-RING, P16	4							
18	1	119802-32111	ROTOR, INNER	1							
19	1	119802-32120	ROTOR, OUTER	1							
20	1	119802-32130	SCREW, M6X16	7							
21	1	121850-51960	O-RING	1							
22	1	129001-91841	BOLT, M8X85	3							
23	1	24311-000320	O-RING, 1AP32.0	1							
24	1	26106-080162	BOLT, M8X 16 PLATED	4							
25	1	26106-080162	BOLT, M8X 16 PLATED	3							
26	1	26106-080552	BOLT, M8X 55 PLATED	11							
27	1	26306-080002	NUT, M8	3							
28	1	121023-01550	COVER	1							
29	1	24341-000240	O-RING, 1AS24.0	1							
30	1	26106-060162	BOLT, M6X 16 PLATED	2							
31	1	977770-1207F	GASKET, LIQUID	1							1
32	1	129150-01580	STUD, M8X30	1							
33	1	124240-01871	COVER	1							
34	1	124240-01883	GASKET	1							
35	1	26106-080122	BOLT, M8X 12 PLATED	4							

Remarks
(1) OPTIONAL PART.

N:Old $\frac{100}{100}$ New, Q:Old $\frac{100}{100}$ New, R:Old $\frac{100}{100}$ New, S:Old $\frac{100}{100}$ New, W:Add, Z:Discontinued, F:Interchangeable by set, K:Qty Change
Copyright (C) YANMAR CO., LTD. All Rights Reserved.

OCW10-M03900

Fig.3. OIL SUMP



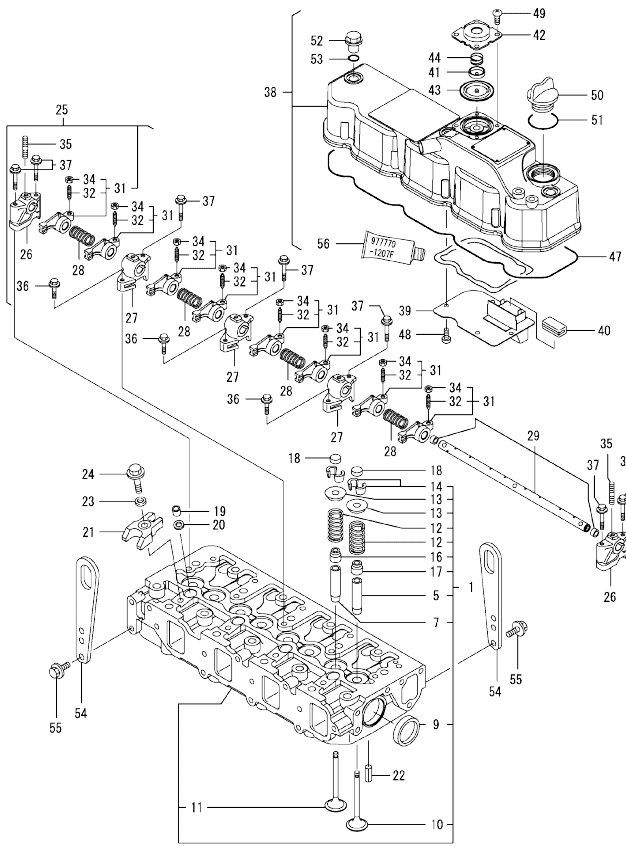
Remarks
(1) OPTIONAL PART.

No.	Lev.	Parts No.	Description	Q'ty						I	R
				(A)	(B)	(C)	(D)	(E)	(F)		
1	1	129486-01670	BOLT, M8X30	9							
2	1	977770-1207F	GASKET, LIQUID	1							1
3	1	129550-01702	SUMP, OIL	1							
4	1	729429-01721	SUMP ASSY, OIL	1							
6	2	105425-01690	PLUG, 16	1							
7	2	22190-160002	WASHER, SEAL 16	1							
8	1	129555-01750	PIPE, KNOCK 14X18	1							
9	1	26106-080122	BOLT, M8X 12 PLATED	20							
10	1	26106-080502	BOLT, M8X 50 PLATED	8							
11	1	129001-91870	BOLT, M8X100	14							
12	1	129001-91910	BOLT, M8X120	4							
13	1	129100-01640	CASE ASSY, OIL SEAL	1							
15	2	129795-01780	SEAL, OIL	1							
16	1	129100-01580	PIN, M8X16	2							

N:Old $\frac{100}{100}$ New, Q:Old $\frac{100}{100}$ New, R:Old $\frac{100}{100}$ New, S:Old $\frac{100}{100}$ New, W:Add, Z:Discontinued, F:Interchangeable by set, K:Qty Change
Copyright (C) YANMAR CO., LTD. All Rights Reserved.

OCW10-M03900

Fig.4. CYLINDER HEAD & BONNET



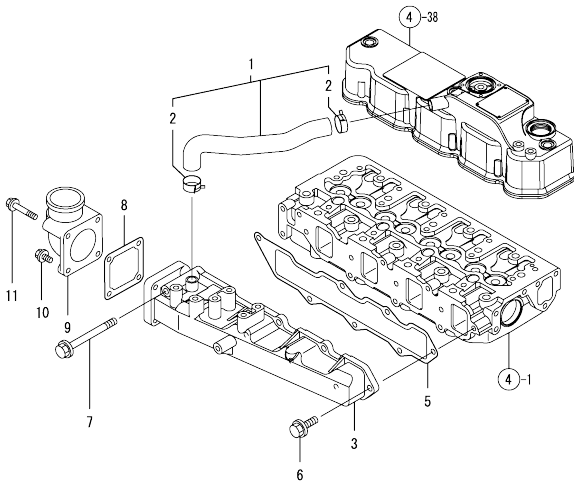
Remarks
 (1) REPAIR PART.
 (2) OPTIONAL PART.

No.	Lev.	Parts No.	Description	Q'ty						I	R
				(A)	(B)	(C)	(D)	(E)	(F)		
1	1	129601-11700	HEAD ASSY, CYLINDER	1							
5	2	120130-11860	GUIDE, VALVE	4							1
7	2	129150-11810	GUIDE, VALVE	4							1
9	2	27241-400000	PLUG, 40	2							
10	2	129004-11101	VALVE, INTAKE	4							
11	2	129100-11111	VALVE, EXHAUST	4							
12	2	129795-11120	SPRING, VALVE	8							
13	2	129795-11180	RETAINER, SPRING	8							
14	2	27310-080001	COTTER, 8	8							
16	2	121400-11340	SEAL, VALVE STEM	4							
17	2	124460-11340	SEAL, VALVE STEM	4							
18	1	129150-11370	CAP, VALVE	8							
19	1	119802-11870	PROTECTOR, NOZZLE	4							
20	1	119625-11880	SEAT, NOZZLE	4							
21	1	129004-11900	RETAINER, NOZZLE	4							
22	1	22351-060012	PIN, SPRING 6.0X12	2							
23	1	120270-54410	WASHER, INJECTOR	4							
24	1	26106-080352	BOLT, M8X 35 PLATED	4							
25	1	129601-11241	SHAFT ASSY, ROCKER	1							
26	2	119802-11260	SUPPORT, ROCKER ARM	2							
27	2	119802-11270	SUPPORT, ROCKER ARM	3							
28	2	129150-11280	SPRING	4							
29	2	129601-11251	SHAFT, ROCKER ARM	1							
31	2	129004-11650	ARM, ROCKER	8							
32	3	129150-11230	SCREW, VALVE ADJUST	8							
34	3	129150-11750	NUT, M8	8							
35	2	26226-080182	STUD, M8X 18	3							
36	1	26106-080252	BOLT, M8X 25 PLATED	3							
37	1	26106-080502	BOLT, M8X 50 PLATED	7							
38	1	129601-11350	BONNET ASSY, HEAD	1							
39	2	129004-03010	PLATE	1							
40	2	129150-03070	BAFFLE, BREATHER	1							
41	2	119802-03110	PLATE	1							
42	2	119802-03121	COVER, DIAPHRAGM	1							
43	2	119802-03130	DIAPHRAGM	1							
44	2	119802-03141	SPRING, DIAPHRAGM	1							
47	2	129601-11310	GASKET, BONNET	1							
48	2	22857-500100	SCREW, 5X10	4							
49	2	22857-500100	SCREW, 5X10	4							
50	1	124160-01751	COVER, FILLER	1							
51	1	24311-000320	O-RING, 1AP32.0	1							
52	1	124160-11360	KNOB	3							
53	1	24311-000120	O-RING, 1AP12.0	3							
54	1	129900-07900	LIFTER	2							
55	1	26106-080162	BOLT, M8X 16 PLATED	4							
56	1	977770-1207F	GASKET, LIQUID	1							2

N:Old $\frac{100}{100}$ New, Q:Old $\frac{100}{100}$ New, R:Old $\frac{100}{100}$ New, S:Old $\frac{100}{100}$ New, W:Add, Z:Discontinued, F:Interchangeable by set, K:Q'ty Change
 Copyright (C) YANMAR CO., LTD. All Rights Reserved.

OCW10-M03900

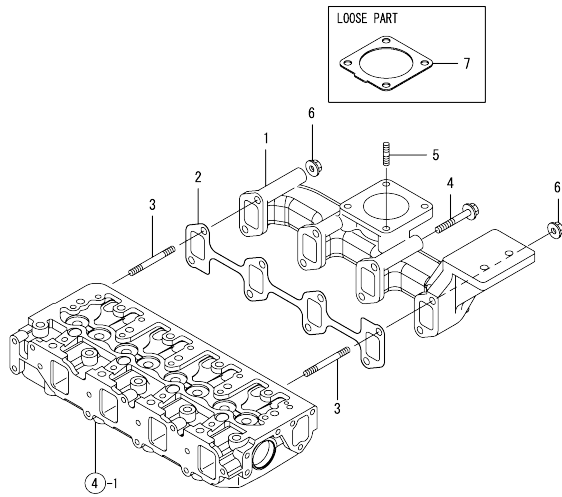
Fig.5. SUCTION MANIFOLD



No.	Lev.	Parts No.	Description	Q'ty					
				(A)	(B)	(C)	(D)	(E)	(F)
1	1	129601-03080	PIPE , BREATHER	1					
2	2	129410-03990	CLAMP 22	2					
3	1	129601-12100	MANIFOLD, AIR INTAKE	1					
5	1	129407-12110	GASKET, MANIFOLD	1					
6	1	26106-080202	BOLT, M8X 20 PLATED	6					
7	1	26106-080802	BOLT, M8X 80 PLATED	1					
8	1	129150-77511	GASKET	1					
9	1	171340-77520	BEND	1					
10	1	26106-080252	BOLT, M8X 25 PLATED	2					
11	1	26106-080652	BOLT, M8X 65 PLATED	2					

OCW10-M03900

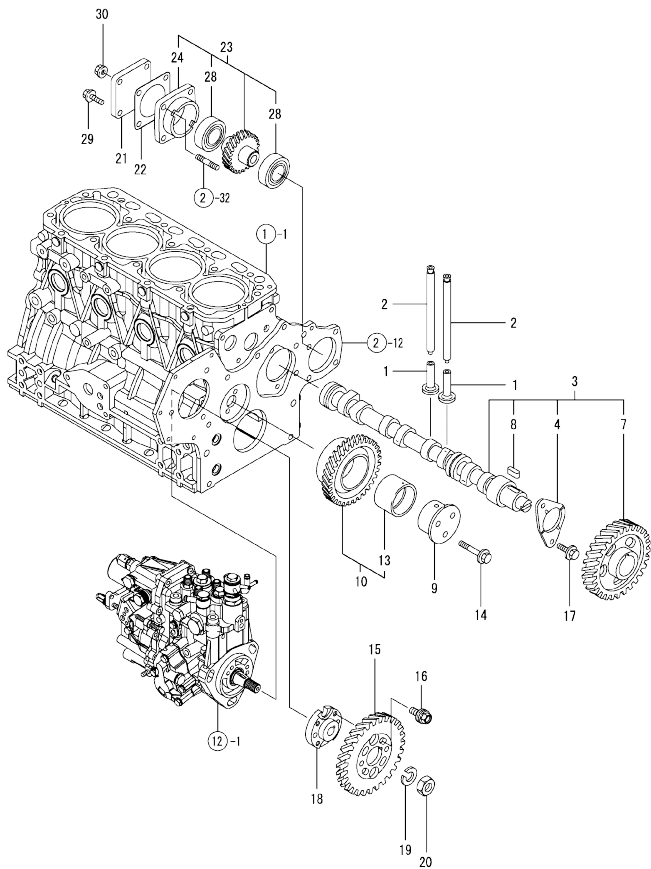
Fig.6. EXHAUST MANIFOLD



No.	Lev.	Parts No.	Description	Q'ty					
				(A)	(B)	(C)	(D)	(E)	(F)
1	1	129601-13110	MANIFOLD, EXHAUST	1					
2	1	129550-13110	GASKET	1					
3	1	123900-13610	STUD, M8X80	2					
4	1	123900-13630	BOLT, M8X80	6					
5	1	119131-18320	STUD, M8X22	4					
6	1	26306-080002	NUT, M8	2					
7	1	129930-13201	GASKET, SILENCER	1					

OCW10-M03900

Fig.7. CAMSHAFT & DRIVING GEAR



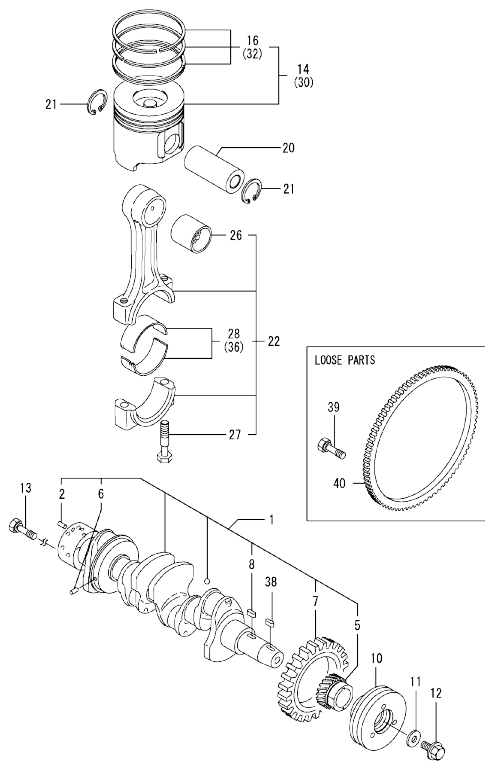
No.	Lev.	Parts No.	Description	Q'ty						I	R
				(A)	(B)	(C)	(D)	(E)	(F)		
1	1	129150-14200	TAPPET	8							
2	1	129150-14400	ROD, PUSH L=178	8							
3	1	729402-14580	CAMSHAFT ASSY	1							
4	2	129150-02450	BEARING, THRUST	1							
7	2	129150-14101	GEAR, CAMSHAFT	1							
8	2	22512-070140	KEY, 7X 14	1							
9	1	119802-25051	SHAFT, IDLE	1							
10	1	119802-25100	GEAR ASSY, IDLE	1							
13	2	119802-25070	BUSH, IDLE GEAR	1							1
14	1	26106-080402	BOLT, M8X 40 PLATED	3							
15	1	119802-25901	GEAR, PUMP	1							
16	1	129150-25301	BOLT	4							
17	1	26106-080142	BOLT, M8X 14 PLATED	2							
18	1	158552-51151	FLANGE	1							
19	1	22217-140000	WASHER, SPRING 14	1							
20	1	26776-140002	NUT, LOCK M14	1							
21	1	124240-01871	COVER	1							
22	1	124240-01883	GASKET	1							
23	1	129555-26000	DRIVE ASSY, PUMP	1							
24	2	129150-26050	BRACKET, PUMP	1							
28	2	24105-060064	BEARING, BALL 6006Z	2							
29	1	26106-080252	BEARING, M8X 25 PLATED	3							
30	1	26306-080002	NUT, M8	1							

Remarks
(1) REPAIR PART.

N:Old $\frac{100}{100}$ New, Q:Old $\frac{100}{100}$ New, R:Old $\frac{100}{100}$ New, S:Old $\frac{100}{100}$ New, W:Add, Z:Discontinued, F:Interchangeable by set, K:Q'ty Change
Copyright (C) YANMAR CO., LTD. All Rights Reserved.

OCW10-M03900

Fig.8. CRANKSHAFT & PISTON

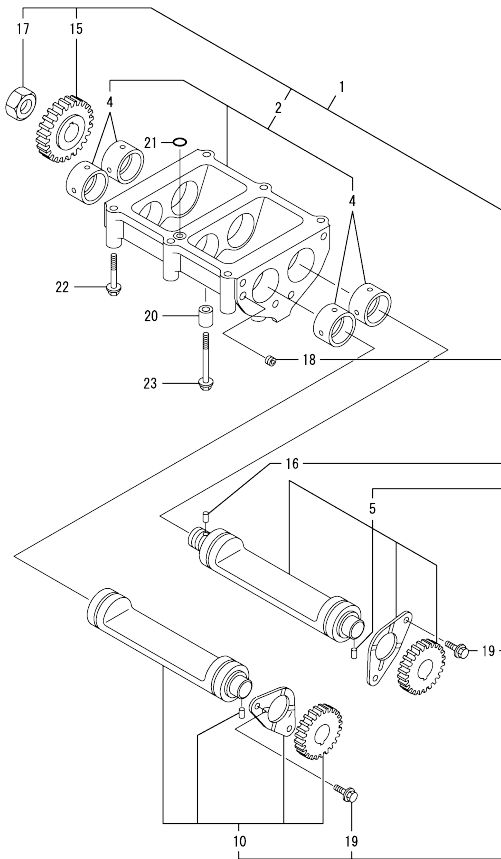


No.	Lev.	Parts No.	Description	Q'ty						I	R
				(A)	(B)	(C)	(D)	(E)	(F)		
1	1	129657-21002	CRANKSHAFT ASSY	1							
2	2	129100-01580	PIN, M8X16	1							
5	2	119802-21202	GEAR, CRANKSHAFT	1							
6	2	121850-21290	PIN	1							
7	2	129400-28121	GEAR, BALANCER	1							
8	2	22512-070140	KEY, 7X 14	1							
10	1	119852-21650	V-PULLEY, 120	1							
11	1	129795-21661	WASHER	1							
12	1	121850-21680	BOLT	1							
13	1	121111-21501	BOLT, FLYWHEEL	6							
14	1	129005-22080	PISTON ASSY	4							
16	2	129005-22500	RING SET, PISTON	4							
20	1	129202-22300	PIN, PISTON D26 L70	4							
21	1	22252-000260	RING, 26	8							
22	1	729402-23100	ROD ASSY, CONNECTING	4							
26	2	129100-23910	BEARING, PISTON PIN	4							1
27	2	121550-23200	BOLT, CONNECTING ROD	8							
28	2	129150-23600	BEARING, CRANK PIN	4							
30	1	129005-22900	PISTON ASSY, 0.25 OS	4							2
32	2	129005-22950	RING SET, 0.25 OS	4							2
36	1	129150-23610	BEARING, 0.25 US	4							3
38	1	22512-070140	KEY, 7X 14	1							
39	1	121111-21501	BOLT, FLYWHEEL	6							
40	1	124550-21600	GEAR, RING	1							

Remarks
 (1) REPAIR PART.
 (2) OVER-SIZE(O.S=0.25)PART.
 (3) UNDER-SIZE(U.S=0.25)PART.

N:Old $\frac{100}{100}$ New, Q:Old $\frac{100}{100}$ New, R:Old $\frac{100}{100}$ New, S:Old $\frac{100}{100}$ New, W:Add, Z:Discontinued, F:Interchangeable by set, K:Q'ty Change
 Copyright (C) YANMAR CO., LTD. All Rights Reserved.

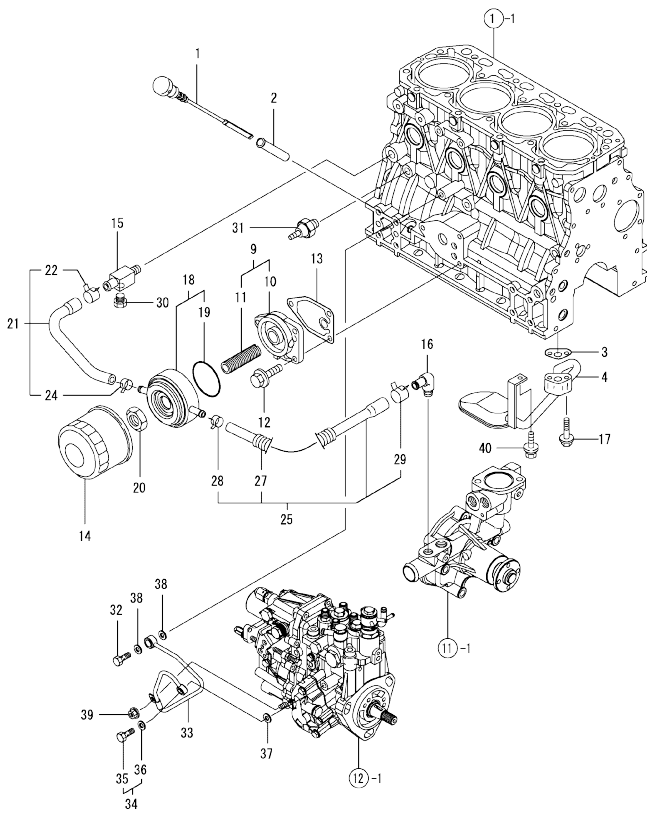
Fig.9. BALANCER



No.	Lev.	Parts No.	Description	Q'ty					
				(A)	(B)	(C)	(D)	(E)	(F)
1	1	129457-28000	BALANCER ASSY	1					
2	2	129457-28011	CASE ASSY, BALANCER	1					
4	3	129407-28240	BUSH, BALANCER	4					
5	2	729490-28510	SHAFT ASSY, BALANCER	1					
10	2	729490-28520	SHAFT ASSY, BALANCER	1					
15	2	129400-28150	GEAR, BALANCER	1					
16	2	121850-21290	PIN	1					
17	2	128170-14150	NUT	1					
18	2	23876-005000	PLUG, R005	1					
19	2	26106-080142	BOLT, M8X 14 PLATED	4					
20	1	129795-01960	PIPE, KNOCK	2					
21	1	24311-000140	O-RING, 1AP14.0	1					
22	1	26106-080602	BOLT, M8X 60 PLATED	4					
23	1	26106-080802	BOLT, M8X 80 PLATED	2					

OCW10-M03900

Fig.10. LUB.OIL SYSTEM

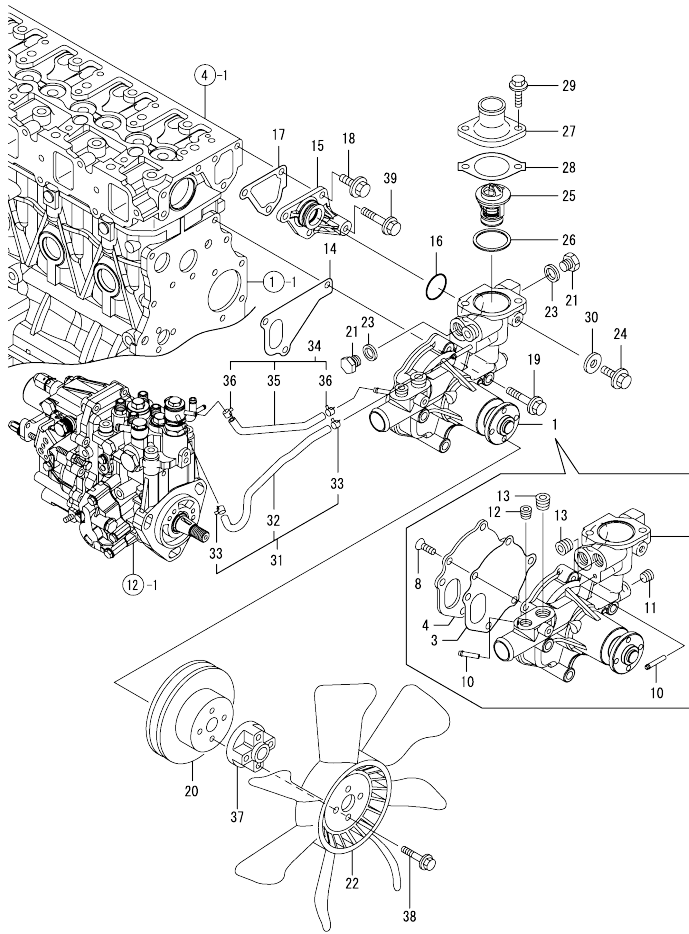


No.	Lev.	Parts No.	Description	Q'ty						I	R
				(A)	(B)	(C)	(D)	(E)	(F)		
1	1	129457-34810	DIPSTICK, OIL	1							
2	1	121520-34810	GUIDE, DIPSTICK	1							
3	1	129150-35042	GASKET	1							
4	1	129550-35090	PIPE ASSY, OIL INLET	1							
9	1	129006-35100	BRACKET ASSY, FILTER	1							
10	2	119802-35110	BRACKET, FILTER	1							
11	2	129417-35150	STUD, L=67	1							
12	1	26106-080202	BOLT, M8X 20 PLATED	3							
13	1	129150-35111	GASKET	1							
14	1	129150-35153	FILTER 80X80L	1							1
15	1	129006-44480	JOINT	1							
16	1	129103-49301	ELBOW, PT1/4	1							
17	1	26106-080352	BOLT, M8X 35 PLATED	2							
18	1	129508-33010	COOLER ASSY, OIL	1							
19	2	129508-33050	O-RING	1							
20	1	129417-33110	NUT	1							
21	1	129508-49030	PIPE ASSY, WATER	1							
22	2	171008-03990	CLIP, HOSE 18.5	1							
24	2	23080-015000	CLAMP, 15	1							
25	1	129508-49040	PIPE ASSY, WATER	1							
27	2	119940-59130	TUBE, CORRUGATED	1							
28	2	23080-015000	CLAMP, 15	1							
29	2	23080-018000	CLAMP, 18	1							
30	1	171056-49120	PLUG, DRAIN	1							
31	1	114250-39450	SWITCH, 0.5KG	1							
32	1	124160-39140	BOLT, PIPE JOINT M10	1							
33	1	119802-39450	PIPE ASSY, OIL	1							
34	1	129005-59830	BOLT ASSY, JOINT M8	1							
35	2	23857-030000	BOLT, JOINT 3	1							
36	2	22190-080002	WASHER, SEAL 6	1							
37	1	22190-080002	WASHER, SEAL 6	1							
38	1	22190-100002	WASHER, SEAL 10	2							
39	1	26366-060002	NUT, M6	1							
40	1	26014-080162	BOLT, M8X 16	1							

Remarks
(1) REPAIR PART.

N:Old $\frac{100}{100}$ New, Q:Old $\frac{100}{100}$ New, R:Old $\frac{100}{100}$ New, S:Old $\frac{100}{100}$ New, W:Add, Z:Discontinued, F:Interchangeable by set, K:Qty Change
Copyright (C) YANMAR CO., LTD. All Rights Reserved.

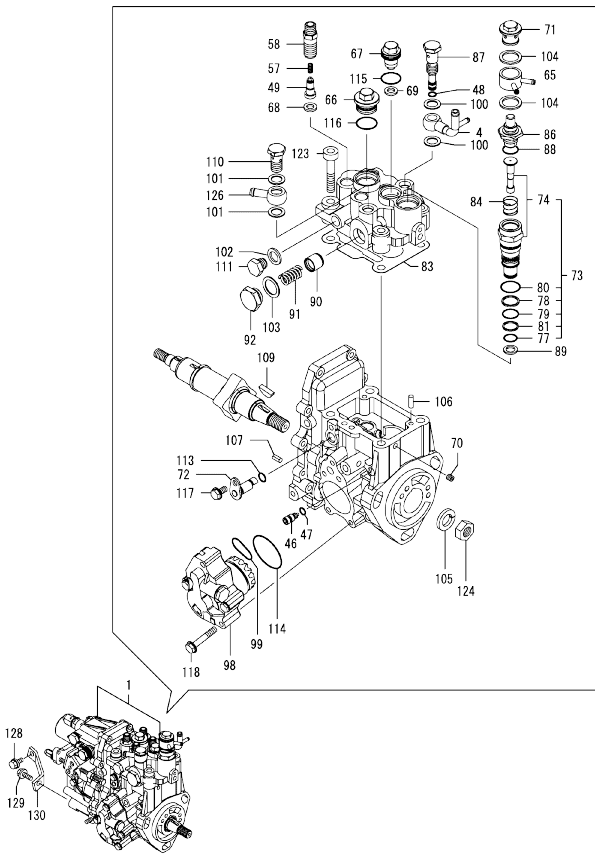
Fig.11. COOLING WATER SYSTEM



No.	Lev.	Parts No.	Description	Q'ty						I	R
				(A)	(B)	(C)	(D)	(E)	(F)		
1	1	129004-42001	PUMP ASSY, WATER	1							
3	2	129100-42051	GASKET, WATER PUMP	1							
4	2	129100-42121	PLATE	1							
8	2	121850-42410	SCREW	3							
10	2	119802-49113	JOINT, PIPE	2							
11	2	23876-010000	PLUG, R01	1							
12	2	23876-020000	PLUG, R02	1							
13	2	129916-49740	PLUG, R03	2							
14	1	129486-42021	GASKET, WATER PUMP	1							
15	1	129004-42040	JOINT	1							
16	1	129486-42140	O-RING, G30	1							
17	1	124395-49840	GASKET	1							
18	1	26106-080162	BOLT, M8X 16 PLATED	3							
19	1	26106-080602	BOLT, M8X 60 PLATED	3							
20	1	129403-42380	V-PULLEY, D=110	1							
21	1	121450-42450	PLUG, M16	2							
22	1	129655-44740	FAN, COOLING D380	1							
23	1	124465-44950	GASKET, 16	2							
24	1	26106-080122	BOLT, M8X 12 PLATED	1							
25	1	129155-49801	THERMOSTAT, 71	1							
26	1	129150-49811	GASKET, THERMOSTAT	1							
27	1	129350-49530	COVER, THERMOSTAT	1							
28	1	129795-49551	GASKET	1							
29	1	26106-080222	BOLT, M8X 22 PLATED	2							
30	1	23414-080000	GASKET, 8X1.0	1							
31	1	129263-49610	PIPE, WATER	1							
32	2	129263-49710	PIPE, WATER	1							
33	2	124722-59050	CLIP, HOSE 9	2							
34	1	129263-49620	PIPE, WATER	1							
35	2	129263-49720	PIPE, WATER	1							
36	2	124722-59050	CLIP, HOSE 9	2							
37	1	171353-44760	SPACER, FAN	1							
38	1	26106-060402	BOLT, M6X 40 PLATED	4							
39	1	26106-080452	BOLT, M8X 45 PLATED	1							

N:Old $\frac{New}{Old}$ New, Q:Old $\frac{New}{Old}$ New, R:Old $\frac{New}{Old}$ New, S:Old $\frac{New}{Old}$ New, W:Add, Z:Discontinued, F:Interchangeable by set, K:Qty Change
 Copyright (C) YANMAR CO., LTD. All Rights Reserved.

Fig.12. FUEL INJECTION PUMP



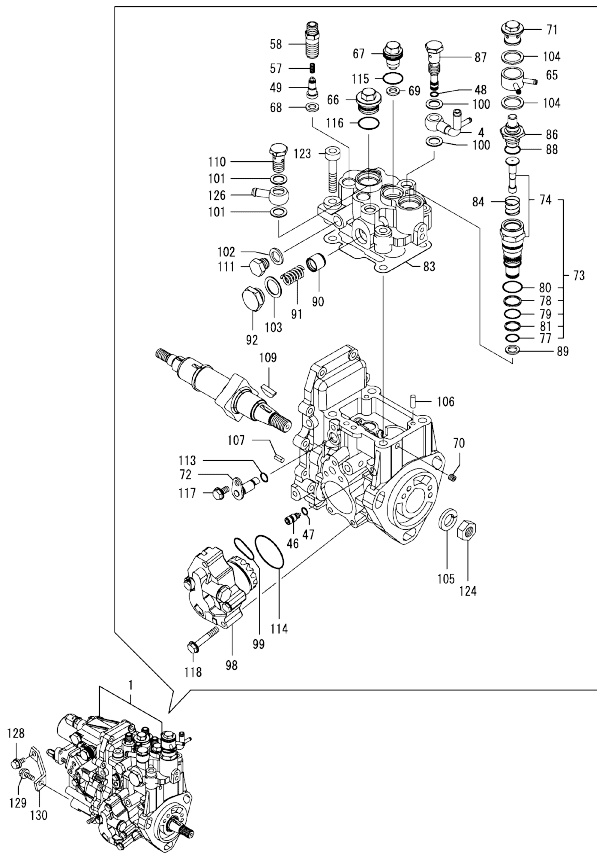
Remarks
 (1) GOVERNOR ASSY(FIG.13) IS
 INCORPORATED IN THIS FOP.CMP
 (REF.NO.1).

No.	Lev.	Parts No.	Description	Q'ty						I	R
				(A)	(B)	(C)	(D)	(E)	(F)		
1	1	729659-51330	PUMP ASSY, INJECTION	1							1
4	2	158552-51670	JOINT, OVER FLOW	1							
46	2	158600-51270	STOPPER, TAPPET	1							
47	2	158563-51281	O-RING, 4D S6	1							
48	2	158563-51281	O-RING, 4D S6	1							
49	2	158560-51300	VALVE ASSY, DELIVERY	4							
57	2	158563-51330	SPRING, DELIVERY	4							
58	2	158601-51340	HOLDER, DELIVERY	4							
65	2	158553-51551	JOINT	1							
66	2	158601-51550	PLUG	1							
67	2	119802-51560	PLUG, BARREL	1							
68	2	158552-51570	GASKET	4							
69	2	158552-51570	GASKET	1							
70	2	158557-51570	PLUG	1							
71	2	158601-51570	PLUG	1							
72	2	158552-51580	LIFTER	1							
73	2	119802-51590	TIMER SET	1							
74	3	119802-51600	TIMER ASSY	1							
77	3	158553-51670	O-RING, 1011	1							
78	3	119802-51680	RING, BACK UP	1							
79	3	119802-51690	O-RING	1							
80	3	24356-010200	O-RING, 4D1020	1							
81	3	24372-000150	RING, BACK UP T2P15	1							
83	2	158552-51600	GASKET	1							
84	2	158553-51630	SPRING, TIMER	1							
86	2	158553-51640	ELEMENT	1							
87	2	158601-51650	JOINT, OVER FLOW	1							
88	2	158553-51660	O-RING, P14	1							
89	2	158553-51680	GASKET	1							
90	2	158601-51770	PISTON	1							
91	2	158552-51780	SPRING	1							
92	2	158601-51790	PLUG	1							
98	2	158552-52100	PUMP ASSY, FUEL FEED	1							
99	2	158552-52310	O-RING	1							
100	2	22190-120002	WASHER, SEAL 12	2							
101	2	22190-120002	WASHER, SEAL 12	2							
102	2	22190-120002	WASHER, SEAL 12	1							
103	2	22190-180002	WASHER, SEAL 18	1							
104	2	22190-180002	WASHER, SEAL 18	2							
105	2	22217-140000	WASHER, SPRING 14	1							
106	2	22312-050140	PIN, PARALLEL M5X14	2							
107	2	22351-050010	PIN, SPRING 5.0X10	2							
109	2	119802-51090	KEY, 4X16	1							
110	2	23857-060000	BOLT, JOINT 6	1							
111	2	23887-120002	PLUG, 12	1							
113	2	24311-000070	O-RING, 1AP7.0	1							
114	2	158552-52400	O-RING, 4E S42	1							
115	2	24356-010180	O-RING, 4D1018	1							
116	2	24356-010200	O-RING, 4D1020	1							
117	2	26106-060102	BOLT, M6X 10 PLATED	1							
118	2	158553-51770	BOLT	4							

N:Old $\frac{New}{Old}$ New, Q:Old $\frac{New}{Old}$ New, R:Old $\frac{New}{Old}$ New, S:Old $\frac{New}{Old}$ New, W:Add, Z:Discontinued, F:Interchangeable by set, K:Q'ty Change
 ++ CONTINUE ++
 Copyright (C) YANMAR CO., LTD. All Rights Reserved.

OCW10-M03900

Fig.12. FUEL INJECTION PUMP



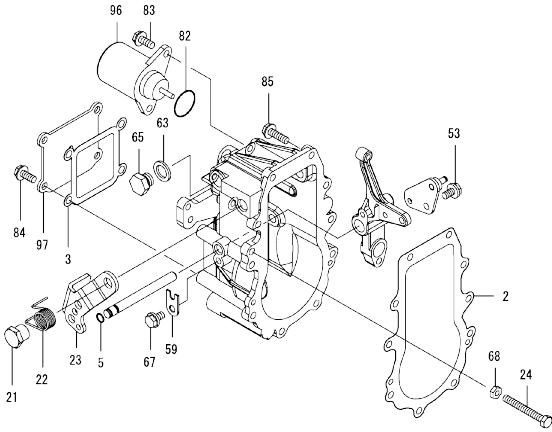
No.	Lev.	Parts No.	Description	Q'ty						I	R
				(A)	(B)	(C)	(D)	(E)	(F)		
123	2	26450-080452	BOLT, M8X 45	4							
124	2	26776-140002	NUT, LOCK M14	1							
126	2	129916-59020	JOINT, PIPE 12	1							
128	1	26106-080162	BOLT, M8X 16 PLATED	1							
129	1	26106-080202	BOLT, M8X 20 PLATED	1							
130	1	129601-51250	RETAINER, PUMP	1							

Remarks
 (1) GOVERNOR ASSY(FIG.13) IS
 INCORPORATED IN THIS FOP.CMP
 (REF.NO.1).

N:Old $\frac{100}{100}$ New, Q:Old $\frac{100}{100}$ New, R:Old $\frac{100}{100}$ New, S:Old $\frac{100}{100}$ New, W:Add, Z:Discontinued, F:Interchangeable by set, K:Q'ty Change
 Copyright (C) YANMAR CO., LTD. All Rights Reserved.

OCW10-M03900

Fig.13. GOVERNOR

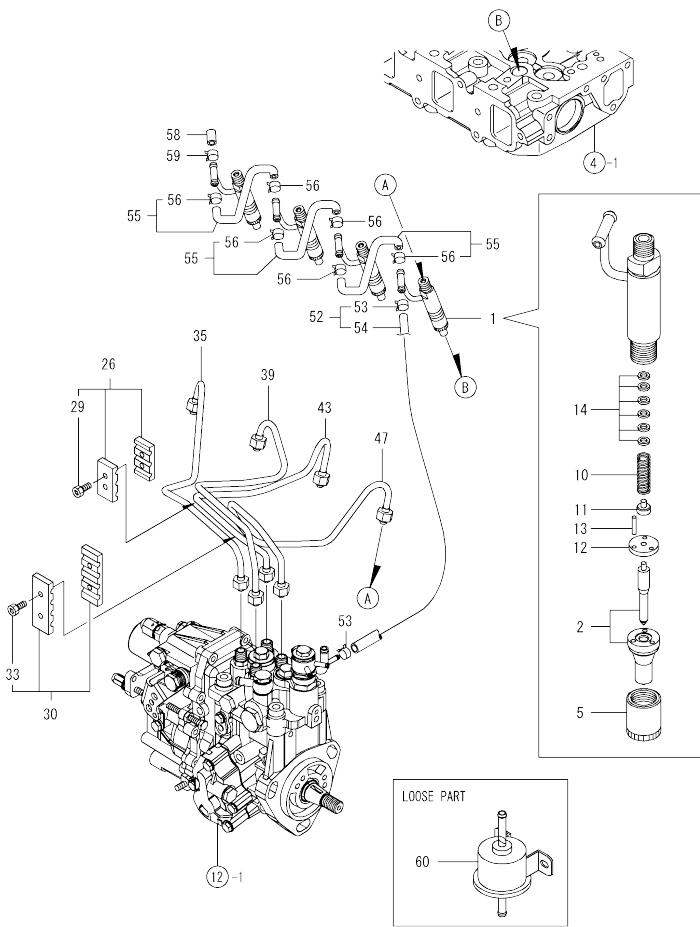


No.	Lev.	Parts No.	Description	Q'ty						I	R
				(A)	(B)	(C)	(D)	(E)	(F)		
2	2	158553-61050	GASKET	1							
3	2	158553-61070	GASKET	1							
5	2	129155-51280	O-RING, S6	1							
21	2	129255-61410	NUT, LOCK	1							
22	2	119807-61420	SPRING, RETURN	1							
23	2	158552-61441	LEVER, REGULATOR	1							
24	2	129155-61460	BOLT, IDLE	1							
53	2	26106-060102	BOLT, M6X 10 PLATED	1							
59	2	119660-61901	RETAINER, SHAFT	1							
63	2	22190-120000	WASHER, SEAL 12	1							
65	2	23887-120002	PLUG, 12	1							
67	2	26106-060102	BOLT, M6X 10 PLATED	1							
68	2	26756-060002	NUT, LOCK M6	1							
82	2	24341-000280	O-RING, 1AS28.0	1							
82-1	2	158552-61900	O-RING	1							N
(A)=EXXXXX											
83	2	26106-060142	BOLT, M6X 14 PLATED	2							
84	2	26106-060142	BOLT, M6X 14 PLATED	4							
85	2	26106-060202	BOLT, M6X 20 PLATED	10							
96	2	119653-77950	SOLENOID, STOP	1							
97	2	129642-61060	COVER, GOVERNOR CASE	1							

Remarks
 * THIS FIGURE(GOVERNOR ASSY)IS
 INCORPORATED IN THE FUEL INJECTION
 PUMP ASSY(FIG.12).

N:Old $\frac{100}{100}$ New, Q:Old $\frac{100}{100}$ New, R:Old $\frac{100}{100}$ New, S:Old $\frac{100}{100}$ New, W:Add, Z:Discontinued, F:Interchangeable by set, K:Q'ty Change
 Copyright (C) YANMAR CO., LTD. All Rights Reserved.

Fig.14. FUEL INJECTION VALVE

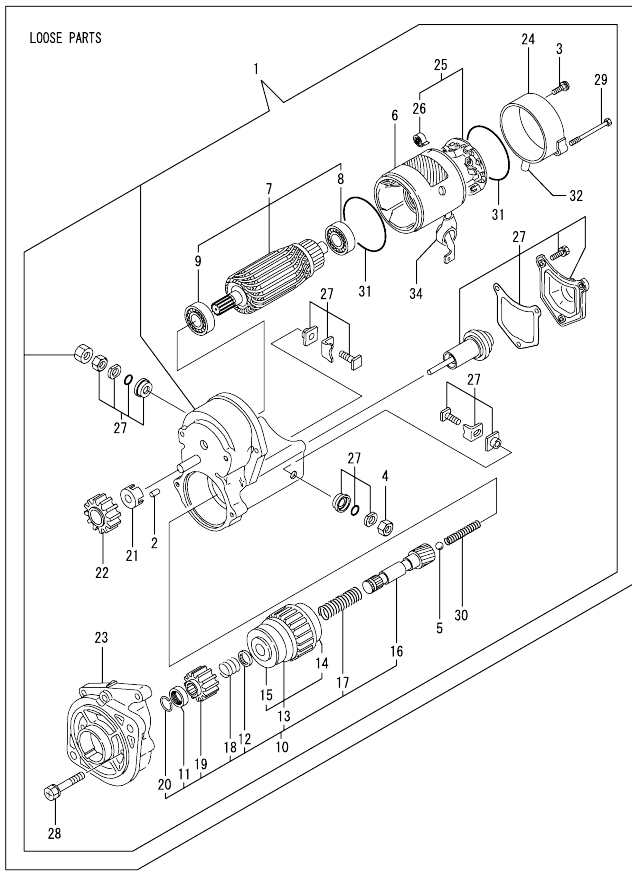


No.	Lev.	Parts No.	Description	Q'ty						I	R
				(A)	(B)	(C)	(D)	(E)	(F)		
1	1	729645-53100	VALVE ASSY,INJECTION	4							
2	2	129602-53001	VALVE ASSY,INJECTION	4							
5	2	114250-53080	NUT, NOZZLE D16.95	4							
10	2	114250-53120	SPRING, NOZZLE	4							
11	2	114250-53130	SEAT, SPRING	4							
12	2	114250-53140	PLATE	4							
13	2	114250-53210	PIN	8							
14	2	114250-53400	SHIM SET	4							
26	1	129150-59120	RETAINER, PIPE	1							
29	2	129150-59131	BOLT, M4X14	2							
30	1	129550-59120	RETAINER, PIPE	1							
33	2	129150-59131	BOLT, M4X14	2							
35	1	129601-59810	PIPE ASSY, INJECTION	1							
39	1	129601-59820	PIPE ASSY, INJECTION	1							
43	1	129601-59830	PIPE ASSY, INJECTION	1							
47	1	129601-59840	PIPE ASSY, INJECTION	1							
52	1	119802-59550	PIPE ASSY, RETURN	1							
53	2	124722-59050	CLIP, HOSE 9	2							
54	2	119802-59560	PIPE, FUEL RETURN	1							
55	1	129486-59551	PIPE ASSY, RETURN	3							
56	2	124722-59050	CLIP, HOSE 9	6							
58	1	119593-59580	CAP	1							
59	1	124060-77680	CLIP, HOSE 10	1							
60	1	119225-52102	PUMP ASSY, FUEL FEED	1							

N:Old $\frac{New}{Old}$ New, Q:Old $\frac{New}{Old}$ New, R:Old $\frac{New}{Old}$ New, S:Old $\frac{New}{Old}$ New, W:Add, Z:Discontinued, F:Interchangeable by set, K:Qty Change
 Copyright (C) YANMAR CO., LTD. All Rights Reserved.

OCW10-M03900

Fig.15. STARTING MOTOR

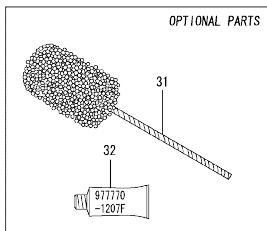
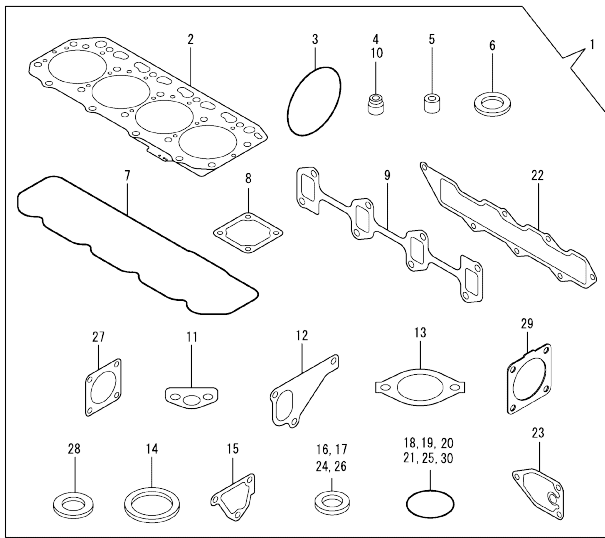


No.	Lev.	Parts No.	Description	Q'ty						
				(A)	(B)	(C)	(D)	(E)	(F)	
1	1	129407-77010	STARTER, RA1.4	1						
2	2	X0283060061	ROLLER	5						
3	2	129129-77460	SCREW	2						
4	2	X9490561370	NUT	1						
5	2	X9491200240	BALL	1						
6	2	129407-77210	YOKE ASSY	1						
7	2	129407-77220	ARMATURE ASSY	1						
8	3	129129-77230	BEARING	1						
9	3	129129-77240	BEARING	1						
10	2	129407-77250	STARTER	1						
11	3	X0280210230	NUT	1						
12	3	X0283270140	RETAINER	1						
13	3	129407-77390	CLUTCH ASSY	1						
14	4	129129-77440	BEARING	1						
15	4	129129-77450	BEARING	1						
16	3	129129-77400	SHAFT	1						
17	3	129129-77410	SPRING, COIL	1						
18	3	129407-77410	SPRING	1						
19	3	129129-77420	PINION	1						
20	3	129129-77430	RING	1						
21	2	129129-77260	RETAINER	1						
22	2	129129-77270	PINION	1						
23	2	129407-77280	HOUSING	1						
24	2	129407-77290	FRAME	1						
25	2	129407-77300	HOLDER ASSY	1						
26	3	X9491730461	SPRING	4						
27	2	129407-77310	SWITCH ASSY	1						
28	2	129129-77320	BOLT	2						
29	2	129407-77330	BOLT	2						
30	2	129129-77340	SPRING	1						
31	2	129129-77350	O-RING	2						
32	2	129129-77362	COVER	1						
34	2	129129-77380	CAP	1						

N:Old $\frac{New}{Old}$ New, Q:Old $\frac{New}{Old}$ New, R:Old $\frac{New}{Old}$ New, S:Old $\frac{New}{Old}$ New, W:Add, Z:Discontinued, F:Interchangeable by set, K:Qty Change
 Copyright (C) YANMAR CO., LTD. All Rights Reserved.

OCW10-M03900

Fig.16. GASKET SET



Remarks
(1) OPTIONAL PART.

No.	Lev.	Parts No.	Description	Q'ty						I	R
				(A)	(B)	(C)	(D)	(E)	(F)		
1	1	729601-92910	GASKET SET	1							1
2	2	129407-01340	GASKET, HEAD	1							
3	2	121850-51960	O-RING	1							
4	2	124460-11340	SEAL, VALVE STEM	4							
5	2	119802-11870	PROTECTOR, NOZZLE	4							
6	2	119625-11880	SEAT, NOZZLE	4							
7	2	129601-11310	GASKET, BONNET	1							
8	2	129150-77511	GASKET	1							
9	2	129550-13110	GASKET	1							
10	2	121400-11340	SEAL, VALVE STEM	4							
11	2	129150-35042	GASKET	1							
12	2	129486-42021	GASKET, WATER PUMP	1							
13	2	129795-49551	GASKET	1							
14	2	129150-49811	GASKET, THERMOSTAT	1							
15	2	124395-49840	GASKET	1							
16	2	22190-080002	WASHER, SEAL 6	2							
17	2	124465-44950	GASKET, 16	2							
18	2	24311-000120	O-RING, 1AP12.0	3							
19	2	24311-000320	O-RING, 1AP32.0	2							
20	2	24341-000240	O-RING, 1AS24.0	1							
21	2	129486-42140	O-RING, G30	1							
22	2	129407-12110	GASKET, MANIFOLD	1							
23	2	129150-35111	GASKET	1							
24	2	22190-160002	WASHER, SEAL 16	1							
25	2	119609-32040	O-RING, P16	4							
26	2	22190-100002	WASHER, SEAL 10	2							
27	2	124240-01883	GASKET	1							
28	2	23414-080000	GASKET, 8X1.0	1							
29	2	129930-13201	GASKET, SILENCER	1							
30	2	24311-000140	O-RING, 1AP14.0	1							
31	1	129400-92430	HONE	1							1
32	1	977770-1207F	GASKET,LIQUID	1							1

N:Old $\frac{100}{100}$ New, Q:Old $\frac{100}{100}$ New, R:Old $\frac{100}{100}$ New, S:Old $\frac{100}{100}$ New, W:Add, Z:Discontinued, F:Interchangeable by set, K:Q'ty Change
Copyright (C) YANMAR CO., LTD. All Rights Reserved.

Parts No. Index

Parts No.	Fig. No.	Ref. No.
105425-01690	3	6
114250-39450	10	31
114250-53080	14	5
114250-53120	14	10
114250-53130	14	11
114250-53140	14	12
114250-53210	14	13
114250-53400	14	14
119131-18320	6	5
119225-52102	14	60
119309-01810	1	30
119593-59580	14	58
119609-32040	2	17
	16	25
119625-11880	4	20
	16	6
119653-77950	13	96
119660-61901	13	59
119802-01560	2	13
119802-03110	4	41
119802-03121	4	42
119802-03130	4	43
119802-03141	4	44
119802-11260	4	26
119802-11270	4	27
119802-11870	4	19
	16	5
119802-21202	8	5
119802-25051	7	9
119802-25070	7	13
119802-25100	7	10
119802-25901	7	15
119802-32070	2	8
119802-32100	2	7
119802-32111	2	18
119802-32120	2	19
119802-32130	2	20
119802-35110	10	10
119802-39450	10	33
119802-49113	11	10
119802-51090	12	109
119802-51560	12	67
119802-51590	12	73
119802-51600	12	74
119802-51680	12	78
119802-51690	12	79
119802-59550	14	52
119802-59560	14	54
119807-61420	13	22
119852-21650	8	10

Parts No.	Fig. No.	Ref. No.
119940-59130	10	27
120130-11860	4	5
120270-54410	4	23
121023-01550	2	28
121111-21501	8	13
		39
121400-11340	4	16
	16	10
121450-42450	11	21
121520-34810	10	2
121550-23200	8	27
121850-21290	8	6
	9	16
121850-21680	8	12
121850-42410	11	8
121850-51960	2	21
	16	3
123900-13610	6	3
123900-13630	6	4
124060-01050	1	10
124060-77680	14	59
124160-01751	2	14
	4	50
124160-01910	1	5
124160-11360	4	52
124160-39140	10	32
124240-01871	2	15
		33
	7	21
124240-01883	2	34
	7	22
	16	27
124395-49840	11	17
	16	15
124460-11340	4	17
	16	4
124465-44950	11	23
	16	17
124550-21600	8	40
124722-59050	11	33
		36
	14	53
		56
128170-14150	9	17
129001-01250	1	11
129001-02930	1	24
129001-32330	2	11
129001-91841	2	22
129001-91870	3	11
129001-91910	3	12

Parts No.	Fig. No.	Ref. No.
129004-01190	1	33
129004-01520	2	12
129004-03010	4	39
129004-11101	4	10
129004-11650	4	31
129004-11900	4	21
129004-42001	11	1
129004-42040	11	15
129005-22080	8	14
129005-22500	8	16
129005-22900	8	30
129005-22950	8	32
129005-59830	10	34
129006-35100	10	9
129006-44480	10	15
129100-01580	3	16
	8	2
129100-01640	3	13
129100-11111	4	11
129100-23910	8	26
129100-42051	11	3
129100-42121	11	4
129103-49301	10	16
129129-77230	15	8
129129-77240	15	9
129129-77260	15	21
129129-77270	15	22
129129-77320	15	28
129129-77340	15	30
129129-77350	15	31
129129-77362	15	32
129129-77380	15	34
129129-77400	15	16
129129-77410	15	17
129129-77420	15	19
129129-77430	15	20
129129-77440	15	14
129129-77450	15	15
129129-77460	15	3
129150-01200	1	31
129150-01580	2	32
129150-02020	1	7
129150-02450	7	4
129150-02870	1	34
129150-02930	1	27
129150-02940	1	37
129150-03070	4	40
129150-11230	4	32
129150-11280	4	28
129150-11370	4	18

Parts No.	Fig. No.	Ref. No.
129150-11750	4	34
129150-11810	4	7
129150-14101	7	7
129150-14200	7	1
129150-14400	7	2
129150-23600	8	28
129150-23610	8	36
129150-25301	7	16
129150-26050	7	24
129150-35042	10	3
	16	11
129150-35111	10	13
	16	23
129150-35153	10	14
129150-49811	11	26
	16	14
129150-59120	14	26
129150-59131	14	29
		33
129150-77511	5	8
	16	8
129155-49801	11	25
129155-51280	13	5
129155-61460	13	24
129202-22300	8	20
129255-61410	13	21
129263-49610	11	31
129263-49620	11	34
129263-49710	11	32
129263-49720	11	35
129350-49530	11	27
129400-28121	8	7
129400-28150	9	15
129400-92430	16	31
129403-42380	11	20
129407-01340	1	32
	16	2
129407-12110	5	5
	16	22
129407-28240	9	4
129407-77010	15	1
129407-77210	15	6
129407-77220	15	7
129407-77250	15	10
129407-77280	15	23
129407-77290	15	24
129407-77300	15	25
129407-77310	15	27
129407-77330	15	29
129407-77390	15	13

Parts No. Index

Parts No.	Fig. No.	Ref. No.
129407-77410	15	18
129410-03990	5	2
129417-33110	10	20
129417-35150	10	11
129418-32320	2	10
129457-28000	9	1
129457-28011	9	2
129457-34810	10	1
129486-01670	3	1
129486-42021	11	14
	16	12
129486-42140	11	16
	16	21
129486-59551	14	55
129508-33010	10	18
129508-33050	10	19
129508-49030	10	21
129508-49040	10	25
129550-01702	3	3
129550-13110	6	2
	16	9
129550-35090	10	4
129550-59120	14	30
129555-01750	3	8
129555-26000	7	23
129601-03080	5	1
129601-11241	4	25
129601-11251	4	29
129601-11310	4	47
	16	7
129601-11350	4	38
129601-11700	4	1
129601-12100	5	3
129601-13110	6	1
129601-51250	12	130
129601-59810	14	35
129601-59820	14	39
129601-59830	14	43
129601-59840	14	47
129602-53001	14	2
129642-61060	13	97
129655-44740	11	22
129657-21002	8	1
129795-01780	3	15
129795-01800	2	6
129795-01950	2	16
129795-01960	9	20
129795-02411	1	14
129795-11120	4	12
129795-11180	4	13

Parts No.	Fig. No.	Ref. No.
129795-21661	8	11
129795-49551	11	28
	16	13
129900-07900	4	54
129900-32130	2	9
129916-49740	11	13
129916-59020	12	126
129930-13201	6	7
	16	29
158552-51151	7	18
158552-51570	12	68
		69
158552-51580	12	72
158552-51600	12	83
158552-51670	12	4
158552-51780	12	91
158552-52100	12	98
158552-52310	12	99
158552-52400	12	114
158552-61441	13	23
158552-61900	13	82 -1
158553-51551	12	65
158553-51630	12	84
158553-51640	12	86
158553-51660	12	88
158553-51670	12	77
158553-51680	12	89
158553-51770	12	118
158553-61050	13	2
158553-61070	13	3
158557-51570	12	70
158560-51300	12	49
158563-51281	12	47
		48
158563-51330	12	57
158600-51270	12	46
158601-51340	12	58
158601-51550	12	66
158601-51570	12	71
158601-51650	12	87
158601-51770	12	90
158601-51790	12	92
171008-03990	10	22
171051-01921	1	6
171056-49120	10	30
171340-77520	5	9
171353-44760	11	37
22190-080002	10	36
		37
	16	16

Parts No.	Fig. No.	Ref. No.
22190-100002	10	38
	16	26
22190-120000	13	63
22190-120002	12	100
		101
		102
22190-160002	3	7
	16	24
22190-180002	12	103
		104
22217-140000	7	19
	12	105
22252-000260	8	21
22312-050140	12	106
22351-050010	12	107
22351-060012	4	22
22512-070140	7	8
	8	8
		38
22857-500100	4	48
		49
23080-015000	10	24
		28
23080-018000	10	29
23414-080000	11	30
	16	28
23857-030000	10	35
23857-060000	12	110
23876-005000	9	18
23876-010000	11	11
23876-020000	11	12
23876-030000	2	4
23876-040000	2	5
23887-120002	12	111
	13	65
24105-060064	7	28
24311-000070	12	113
24311-000120	4	53
	16	18
24311-000140	9	21
	16	30
24311-000320	2	23
	4	51
	16	19
24341-000240	2	29
	16	20
24341-000280	13	82
24356-010180	12	115
24356-010200	12	80
		116

Parts No.	Fig. No.	Ref. No.
24372-000150	12	81
26014-080162	10	40
26106-060102	12	117
	13	53
		67
26106-060142	13	83
		84
26106-060162	2	30
26106-060202	13	85
26106-060402	11	38
26106-080122	2	35
	3	9
	11	24
26106-080142	7	17
	9	19
26106-080162	2	24
		25
		4
		55
		11
		18
		12
26106-080202	5	6
	10	12
	12	129
26106-080222	11	29
26106-080252	4	36
	5	10
	7	29
26106-080352	4	24
	10	17
26106-080402	7	14
26106-080452	11	39
26106-080502	3	10
	4	37
26106-080552	2	26
26106-080602	9	22
	11	19
26106-080652	5	11
26106-080802	5	7
	9	23
26226-080182	4	35
26306-080002	2	27
	6	6
	7	30
26366-060002	10	39
26450-080452	12	123
26756-060002	13	68
26776-140002	7	20
	12	124
27241-120000	1	12
27241-300000	1	13

Parts No. Index

Parts No.	Fig. No.	Ref. No.
27241-40000	4	9
27310-080001	4	14
729004-01500	2	1
729402-14580	7	3
729402-23100	8	22
729429-01721	3	4
729490-28510	9	5
729490-28520	9	10
729601-92910	16	1
729645-53100	14	1
729659-01570	1	1
729659-51330	12	1
977770-1207F	2	31
	3	2
	4	56
	16	32
X0280210230	15	11
X0283060061	15	2
X0283270140	15	12
X9490561370	15	4
X9491200240	15	5
X9491730461	15	26

Parts No.	Fig. No.	Ref. No.
-----------	----------	----------

Parts No.	Fig. No.	Ref. No.
-----------	----------	----------

Parts No.	Fig. No.	Ref. No.
-----------	----------	----------