

0CW10-M11300EN

PREFACE

- 1.This Parts Catalog carries all parts incorporated in YANMAR Model 4TNV88-XKMR engine manufactured since June, 2006.
- 2.Each illustration corresponds to the parts list on the following page.
- 3.When ordering parts,clearly write down the engine model and serial number,as well as the name and number of each part in your order sheet. This will help insure reliable delivery of the parts you have ordered.

Directions for the Parts Catalog.

1. The parts stipulated in this Parts Catalog are not necessarily standard equipped parts.
2. Parts may change without prior notice.
3. The following is an example of the Parts Catalog format.

REF.	LEV.	PARTS NO.	DESCRIPTION	Q'TY						I	R
				(A)	(B)	(C)	(D)	(E)	(F)		
1	1	729595-51390	FUEL INJECTION PUMP	1	1	1	1	1			1
1-1	1	729595-51391	FUEL INJECTION PUMP	1	1	1	1	1		N	1
		(A=E00185) (B=E00200)									
3	2	26022-060162	SCREW M 6X 16	9	9	9	9	9			
3-1	2	26022-060162	SCREW M 6X 16	4	4	4	4	4		K	
		(A=E00156) (B=E00156) (C=E00156) (D=E00156) (E=E00156)									
4	2	129470-51040	CAMSHAFT	1	1	1	1	1			
5	2	122710-51050	BEARING, ROLLER	2	2	2	2	2			
6	2	129470-51060	RETAINER	1	1	1	1	1			

Remarks
(1) BOOST COMPEMSATOR TYPE. OPTIONAL PART, TO E00155,(4JH-DT, 4JH-DTZ

① Ref. No.

The Ref. No. listed may not be in accordance with the illustration Ref. No.

(Ex.) Illustration No.

List Ref No.

1 1 (Before change) → 1-1 (After change)

For interchangeable symbols N, R and K, illustrations for new parts may be abbreviated.

② Lev. (Level)

Level indication

The numbers below indicate the level of relativity towards the main part.

1 ---- Main parts (Assembly parts)

2 ---- Sub component included in " 1 ".

3 ---- Sub component included in " 2 ".

Note) Parts that are not for sale are partially illustrated but not listed.

③ Interchangeability Mark

When a part change takes place, one of the following interchangeability symbols is indicated beside the part.

Symbol	Interchangeability	Contents note
N	Old $\begin{matrix} \leftarrow \text{Yes} \\ \text{No} \rightarrow \end{matrix}$ New	New Part is interchangeable for Old Part but Old Part is not interchangeable for New Part.
Q	Old $\begin{matrix} \leftarrow \text{No} \\ \text{Yes} \rightarrow \end{matrix}$ New	New Part is not interchangeable for Old Part but Old Part is interchangeable for New Part.
R	Old $\begin{matrix} \leftarrow \text{Yes} \\ \text{Yes} \rightarrow \end{matrix}$ New	New/ Old Parts are both interchangeable.
S	Old $\begin{matrix} \leftarrow \text{No} \\ \text{No} \rightarrow \end{matrix}$ New	New/ Old Parts are both not interchangeable.
W		Part newly added.
Z		Part discontinued.
F		Not interchangeable by a single part but interchangeable together with related parts.
K		Changes only for used parts quantities.

④ Effective Machine No.

When a part changes, the effective Machine No. will be indicated in the (A)-(F) column.

Product Symbol	Product No.	Product Symbol	Product No.
C	Clutch No. Compressor No.	F	Machine No. (Agricultural Equip.)
D	Drive No.	M	Machine No.
E	Engine No.	Note 1)	Date

Note 1) A date may follow the symbol. (Ex.) 1996.01

Note 2) " XXX " are for parts that could not be predicted or for engine models that could not be identified.

Note 3) (A=E00185) is the E (Engine Serial Number) for the column (A) model (in this case 4JH-DT) after the parts design change.

⑤ Remarks Mark

Figures or alphabets (symbols) are entered in the remarks column.

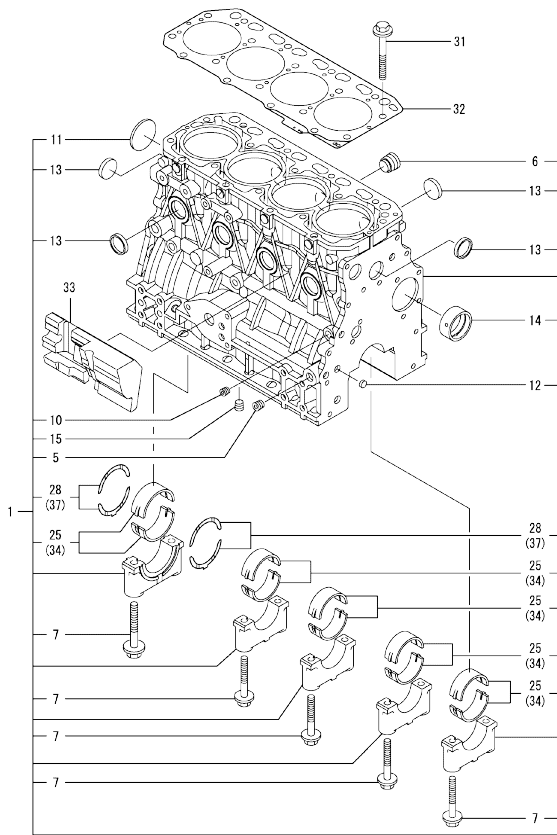
The comments (remarks) on parts that are indicated at the bottom of the illustration are the same symbols as those stated above.

Contents

0CW10-M11300

Fig. No.	Fig. Name	Fig. No.	Fig. Name
4	TNV88-XKMR		
1.	CYLINDER BLOCK		
2.	GEAR HOUSING		
3.	MOUNTING FLANGE & OIL SUMP		
4.	CYLINDER HEAD & BONNET		
5.	SUCTION MANIFOLD		
6.	CAMSHAFT & DRIVING GEAR		
7.	CRANKSHAFT & PISTON		
8.	LUB.OIL SYSTEM		
9.	COOLING FRESH WATER SYSTEM		
10.	COOLING SEA WATER SYSTEM		
11.	COOLING FRESH WATER COOLER		
12.	FUEL INJECTION PUMP		
13.	GOVERNOR		
14.	FUEL INJECTION VALVE		
15.	FUEL LINE		
16.	STARTING MOTOR		
17.	GASKET SET		

Fig.1. CYLINDER BLOCK



(A)=4TNV88-XKMR
(B)=
(C)=

(D)=
(E)=
(F)=

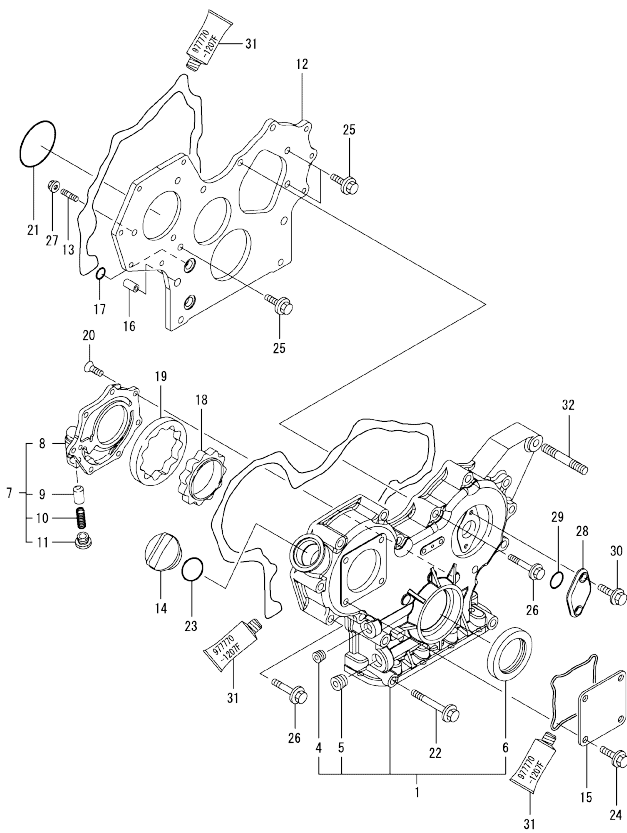
No.	Lev.	Parts No.	Description	Q'ty						I	R
				(A)	(B)	(C)	(D)	(E)	(F)		
1	1	729602-01560	BLOCK ASSY, CYLINDER	1							
5	2	124160-01910	PLUG, PT1/4	2							
6	2	171051-01921	PLUG, NPTF1	1							
7	2	129150-02020	BOLT, METAL CAP	10							
10	2	124060-01050	PLUG, PT1/8	1							
11	2	129001-01250	PLUG, 50	1							
12	2	27241-120000	PLUG, 12	2							
13	2	27241-300000	PLUG 30	8							
14	2	129795-02412	BUSH, CAMSHAFT	1							
15	2	124160-01910	PLUG, PT1/4	1							
25	2	129001-02931	BEARING, MAIN	5							3
28	2	129150-02931	BEARING, THRUST	2							
31	1	129150-01200	BOLT, HEAD	18							
32	1	129407-01340	GASKET, HEAD	1							
33	1	129004-01190	SPACER	1							
34	1	129150-02871	BEARING, 0.25 US	5							1
37	1	129150-02941	BEARING, THRUST 0.25	1							2

Remarks

- (1) UNDER-SIZE(U.S=0.25)PART.
- (2) OVER-SIZE(O.S=0.25)PART.
- (3) REPAIR PART.

0CW10-M11300 4TNV88-XKMR
 Fig.2. GEAR HOUSING

0CW10-M11300 Fig.2



(A)=4TNV88-XKMR
 (B)=
 (C)=

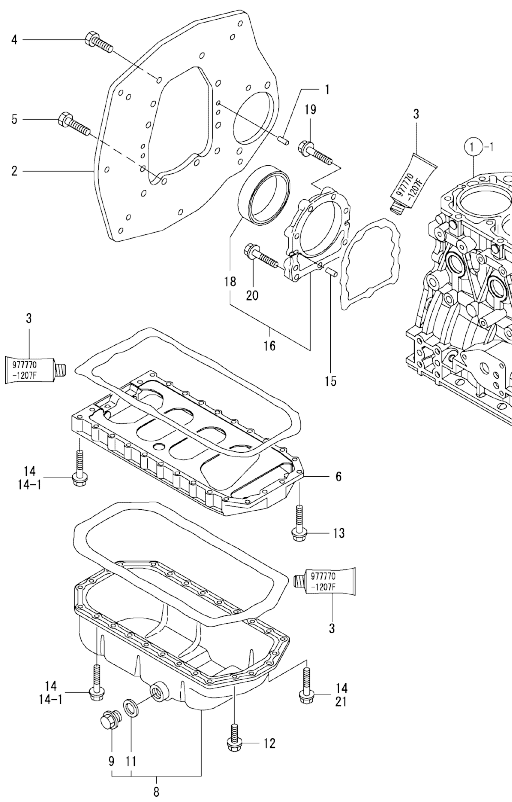
(D)=
 (E)=
 (F)=

No.	Lev.	Parts No.	Description	Q'ty						I	R
				(A)	(B)	(C)	(D)	(E)	(F)		
1	1	719802-01500	CASE ASSY, GEAR	1							
1-1	1	729046-01500	CASE ASSY, GEAR	1							N
(A=EW8217)											
4	2	23876-030000	PLUG, R03	1							
5	2	23876-040000	PLUG, R04	1							
6	2	129795-01800	SEAL, OIL	1							
6-1	2	119934-01800	SEAL, OIL	1							N
(A=E68726)											
6-2	2	129795-01800	SEAL, OIL	1							N
(A=EW8217)											
7	1	119802-32100	COVER ASSY, PUMP	1							
8	2	119802-32070	COVER, OIL PUMP	1							
9	2	129900-32130	VALVE, RELIEF	1							
10	2	129418-32320	SPRING	1							
11	2	129001-32330	PLUG	1							
12	1	119802-01520	FLANGE, GEAR CASE	1							
13	1	119802-01561	STUD, M8X25	3							
14	1	124160-01751	CAP, FILLER	1							
15	1	124240-01871	COVER, HYDRAULIC PUMP	1							
16	1	129795-01950	PIPE, KNOCK L=18	2							
17	1	119609-32040	O-RING, P16	4							
18	1	119802-32111	ROTOR, INNER	1							
19	1	119802-32120	ROTOR, OUTER	1							
20	1	119802-32130	SCREW, M6X16	7							
21	1	121850-51960	O-RING, FUEL PUMP	1							
22	1	129001-91841	BOLT, M8X87	3							
23	1	24311-000320	O-RING, 1AP32.0	1							
24	1	26106-080162	BOLT, M8X 16 PLATED	4							
25	1	26106-080162	BOLT, M8X 16 PLATED	3							
26	1	26106-080552	BOLT, M8X 55 PLATED	12							
27	1	26306-080002	NUT, M8	3							
28	1	121023-01551	COVER, TACHOMETER	1							
29	1	24341-000240	O-RING, 1AS24.0	1							
30	1	26106-060162	BOLT, M6X 16 PLATED	2							
31	1	977770-1207F	GASKET LIQUID	1							
32	1	129795-01900	BOLT, M10X30	1							1

Remarks
 (1) OPTIONAL PART.

N:Old $\frac{100}{100}$ New, Q:Old $\frac{100}{100}$ New, R:Old $\frac{100}{100}$ New, S:Old $\frac{100}{100}$ New, W:Add, Z:Discontinued, F:Interchangeable by set, K:Qty Change
 Copyright (C) YANMAR CO., LTD. All Rights Reserved.

Fig.3. MOUNTING FLANGE & OIL SUMP



(A)=4TNV88-XKMR
(B)=
(C)=

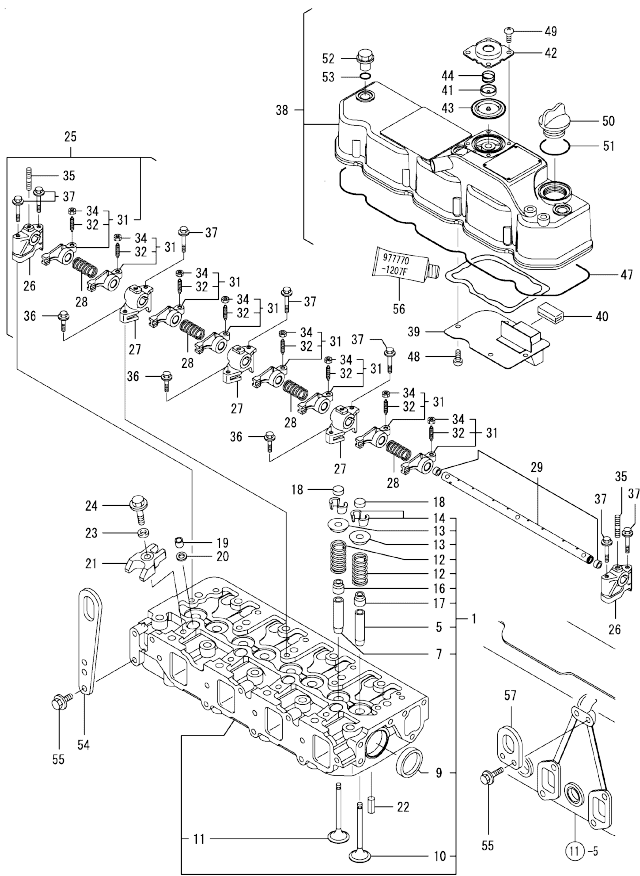
(D)=
(E)=
(F)=

No.	Lev.	Parts No.	Description	Q'ty						I	R
				(A)	(B)	(C)	(D)	(E)	(F)		
1	1	129100-01580	PIN, M8X16	2							
2	1	129176-01601	FLANGE, MOUNTING	1							
3	1	977770-1207F	GASKET, LIQUID	1							1
4	1	26206-100202	BOLT, M10X 20 PLATED	6							
5	1	26206-100252	BOLT, M10X 25 PLATED	4							
6	1	129400-01730	SPACER, OIL SUMP	1							
8	1	729577-01720	SUMP ASSY, OIL	1							
9	2	119640-01640	PLUG, DRAIN M22	1							
11	2	22190-220002	WASHER, SEAL 22	1							
12	1	26106-080162	BOLT, M8X 16 PLATED	4							
13	1	26106-080252	BOLT, M8X 25 PLATED	2							
14	1	26106-080452	BOLT, M8X 45 PLATED	24							
14-1	1	26106-080452	BOLT, M8X 45 PLATED	20							K
(A=FROM 1ST)											
15	1	129100-01580	PIN, M8X16	2							
16	1	129100-01640	CASE ASSY, OIL SEAL	1							
18	2	129795-01780	SEAL, OIL	1							
19	1	129486-01670	BOLT, M8X30	6							
20	1	26106-080352	BOLT, M8X 35 PLATED	3							
21	1	26106-080502	BOLT, M8X 50 PLATED	4							W
(A=FROM 1ST)											

Remarks
(1) OPTIONAL PART.

N:Old $\frac{New}{Old}$ New, Q:Old $\frac{New}{Old}$ New, R:Old $\frac{New}{Old}$ New, S:Old $\frac{New}{Old}$ New, W:Add, Z:Discontinued, F:Interchangeable by set, K:Q'ty Change
Copyright (C) YANMAR CO., LTD. All Rights Reserved.

Fig.4. CYLINDER HEAD & BONNET



(A)=4TNV88-XKMR
(B)=
(C)=

(D)=
(E)=
(F)=

No.	Lev.	Parts No.	Description	Q'ty						I	R
				(A)	(B)	(C)	(D)	(E)	(F)		
1	1	129601-11700	HEAD ASSY, CYLINDER	1							
5	2	120130-11860	GUIDE, VALVE	4							1
7	2	129150-11810	GUIDE, VALVE	4							1
9	2	27241-400000	PLUG, 40	2							
10	2	129004-11130	VALVE, INTAKE	4							
11	2	129100-11112	VALVE, EXHAUST	4							
12	2	129795-11120	SPRING, VALVE	8							
13	2	129795-11180	RETAINER, SPRING	8							
14	2	27310-080001	COTTER, 8	8							
16	2	121400-11340	SEAL, VALVE STEM	4							
17	2	124460-11340	SEAL, VALVE STEM	4							
18	1	129150-11370	CAP, VALVE	8							
19	1	119802-11870	PROTECTOR, NOZZLE	4							
20	1	119625-11880	SEAT, NOZZLE	4							
21	1	129004-11900	RETAINER, NOZZLE	4							
22	1	22351-060012	PIN, SPRING 6.0X12	2							
23	1	120270-54410	WASHER, INJECTOR	4							
24	1	26106-080352	BOLT, M8X 35 PLATED	4							
25	1	129601-11241	SHAFT ASSY, ROCKER	1							
26	2	119802-11260	SUPPORT, ROCKER ARM	2							
27	2	119802-11270	SUPPORT, ROCKER ARM	3							
28	2	129150-11280	SPRING	4							
29	2	129601-11251	SHAFT, ROCKER ARM	1							
31	2	129004-11650	ARM, ROCKER	8							
32	3	129150-11230	SCREW, VALVE ADJUST	8							
34	3	129150-11750	NUT, M8	8							
35	2	26226-080182	STUD, M8X 18	3							
36	1	26106-080252	BOLT, M8X 25 PLATED	3							
37	1	26106-080502	BOLT, M8X 50 PLATED	7							
38	1	129601-11350	BONNET ASSY, HEAD	1							
39	2	129004-03010	PLATE	1							
40	2	129150-03070	BAFFLE, BREATHER	1							
41	2	119802-03110	PLATE	1							
42	2	119802-03121	COVER, DIAPHRAGM	1							
43	2	119802-03130	DIAPHRAGM	1							
44	2	119802-03141	SPRING, DIAPHRAGM	1							
47	2	129601-11310	GASKET, BONNET	1							
48	2	22857-500100	SCREW, 5X10	4							
49	2	22857-500100	SCREW, 5X10	4							
50	1	124160-01751	COVER, FILLER	1							
51	1	24311-000320	O-RING, 1AP32.0	1							
52	1	124160-11360	KNOB	3							
53	1	24311-000120	O-RING, 1AP12.0	3							
54	1	129900-07900	LIFTER	1							
55	1	26106-080162	BOLT, M8X 16 PLATED	4							
56	1	977770-1207F	GASKET, LIQUID	1							2
57	1	129470-07230	LIFTER	1							

Remarks

- (1) REPAIR PARTS.
- (2) OPTIONAL PART.

Fig.5. SUCTION MANIFOLD

(A)=4TNV88-XKMR
(B)=
(C)=

(D)=
(E)=
(F)=

No.	Lev.	Parts No.	Description	Q'ty					
				(A)	(B)	(C)	(D)	(E)	(F)
1	1	129601-03080	PIPE, BREATHER	1					
2	2	129410-03990	CLAMP 22	2					
3	1	129601-12100	MANIFOLD, AIR INTAKE	1					
5	1	129407-12110	GASKET, MANIFOLD	1					
6	1	26106-080202	BOLT, M8X 20 PLATED	6					
7	1	26106-080802	BOLT, M8X 80 PLATED	1					
8	1	129649-12210	JOINT ASSY	1					
10	2	23876-010000	PLUG, R01	1					
11	1	129150-77511	GASKET	1					
12	1	26106-080202	BOLT, M8X 20 PLATED	2					
13	1	26106-080652	BOLT, M8X 65 PLATED	2					

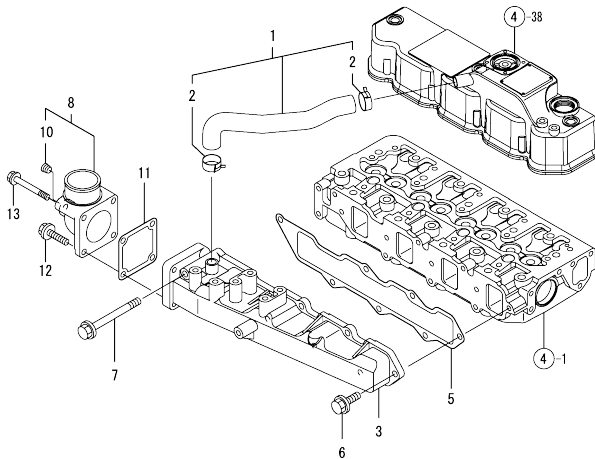
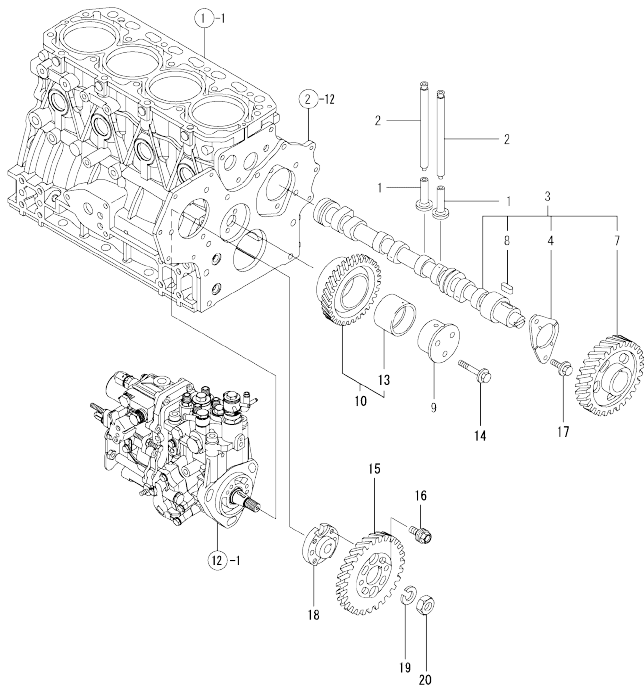


Fig.6. CAMSHAFT & DRIVING GEAR



(A)=4TNV88-XKMR
(B)=
(C)=

(D)=
(E)=
(F)=

No.	Lev.	Parts No.	Description	Q'ty						I	R
				(A)	(B)	(C)	(D)	(E)	(F)		
1	1	129150-14200	TAPPET	8							
2	1	129150-14400	ROD, PUSH L=178	8							
3	1	729601-14580	CAMSHAFT ASSY	1							
4	2	129150-02450	BEARING, THRUST	1							
7	2	129150-14101	GEAR, CAMSHAFT	1							
8	2	22512-070140	KEY, 7X 14	1							
9	1	119802-25051	SHAFT, IDLE	1							
10	1	119802-25101	GEAR ASSY, IDLE	1							
13	2	119802-25071	BUSH, IDLE GEAR	1							1
14	1	26106-080402	BOLT, M8X 40 PLATED	3							
15	1	119802-25901	GEAR, PUMP	1							
16	1	129150-25301	BOLT	4							
17	1	26106-080142	BOLT, M8X 14 PLATED	2							
18	1	158552-51151	FLANGE	1							
19	1	22217-140000	WASHER, SPRING 14	1							
20	1	26776-140002	NUT, LOCK M14	1							

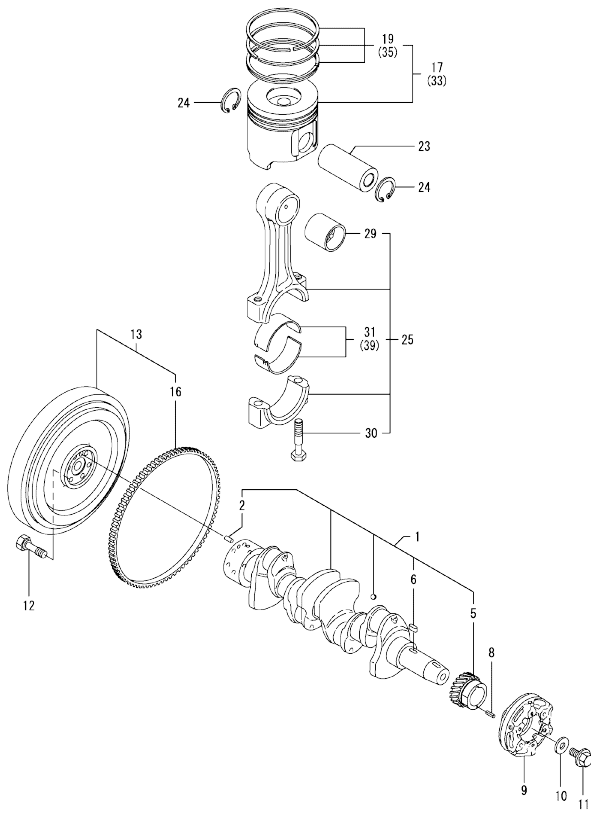
Remarks
(1) REPAIR PART.

N:Old $\frac{New}{Old}$ New, Q:Old $\frac{New}{Old}$ New, R:Old $\frac{New}{Old}$ New, S:Old $\frac{New}{Old}$ New, W:Add, Z:Discontinued, F:Interchangeable by set, K:Q'ty Change
Copyright (C) YANMAR CO., LTD. All Rights Reserved.

Fig.7. CRANKSHAFT & PISTON

(A)=4TNV88-XKMR
(B)=
(C)=

(D)=
(E)=
(F)=

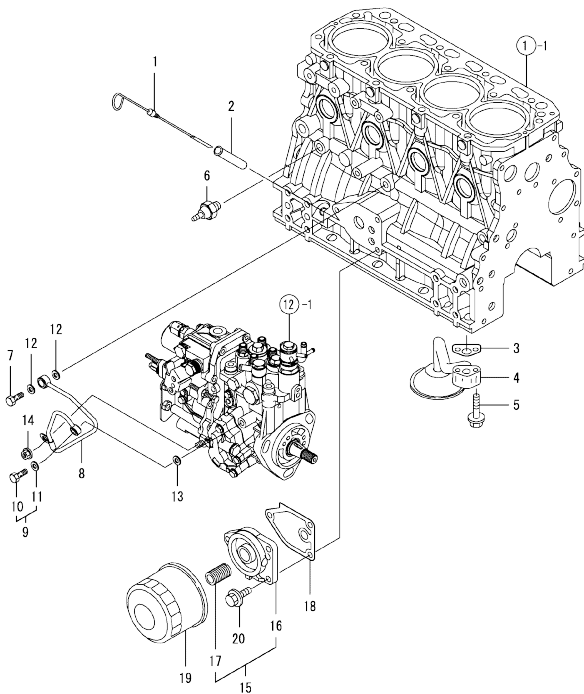


No.	Lev.	Parts No.	Description	Q'ty						I	R
				(A)	(B)	(C)	(D)	(E)	(F)		
1	1	129601-21002	CRANKSHAFT ASSY	1							
2	2	129100-01580	PIN, M8X16	1							
5	2	119802-21202	GEAR, CRANKSHAFT	1							
6	2	22512-070140	KEY, 7X 14	1							
8	1	22351-030010	PIN, SPRING 3.0X10	1							
9	1	129579-21651	V-PULLEY	1							
10	1	129795-21661	WASHER	1							
11	1	121850-21680	BOLT	1							
12	1	121111-21501	BOLT, FLYWHEEL	6							
13	1	129489-21570	FLYWHEEL ASSY	1							
16	2	124550-21600	GEAR, RING	1							
17	1	129005-22080	PISTON ASSY	4							
19	2	129005-22500	RING SET, PISTON	4							
23	1	129202-22300	PIN, PISTON D26 L70	4							
24	1	22252-000260	RING, 26	8							
25	1	729402-23100	ROD ASSY, CONNECTING	4							
29	2	129100-23910	BEARING, PISTON PIN	4							1
30	2	121550-23200	BOLT, CONNECTING ROD	8							
31	2	129150-23601	BEARING, CRANK PIN	4							
33	1	129005-22900	PISTON ASSY, 0.25 OS	4							2
35	2	129005-22950	RING SET, 0.25 OS	4							2
39	1	129150-23611	BEARING, 0.25 US	4							3

Remarks

- (1) REPAIR PART.
- (2) OVER-SIZE(O.S=0.25)PART.
- (3) UNDER-SIZE(U.S=0.25)PART.

Fig.8. LUB.OIL SYSTEM



(A)=4TNV88-XKMR
(B)=
(C)=

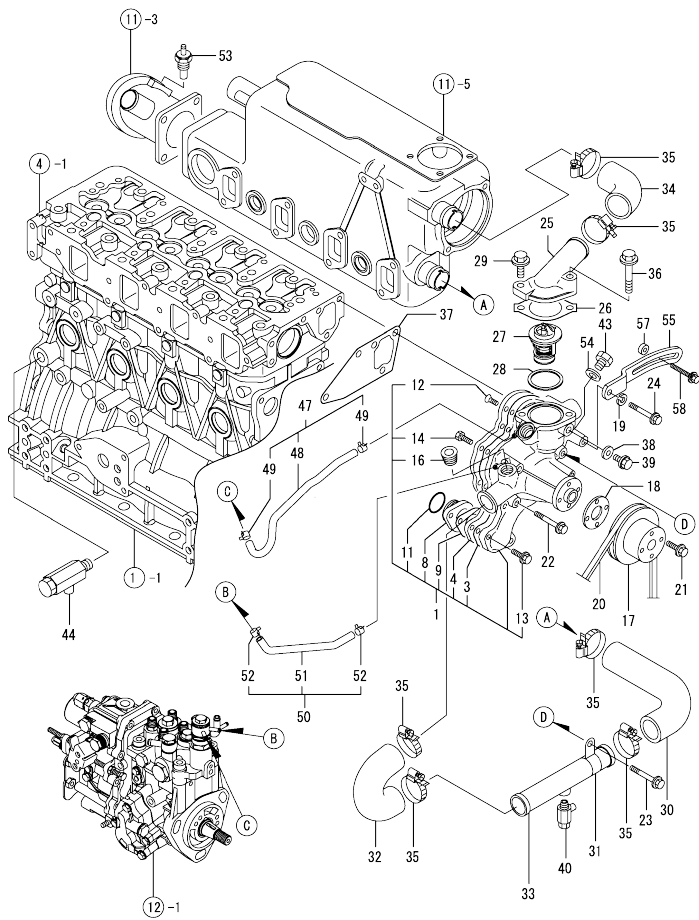
(D)=
(E)=
(F)=

No.	Lev.	Parts No.	Description	Q'ty						I	R
				(A)	(B)	(C)	(D)	(E)	(F)		
1	1	129005-34802	DIPSTICK, OIL	1							
2	1	121520-34810	GUIDE, DIPSTICK	1							
3	1	129150-35042	GASKET	1							
4	1	129150-35091	PIPE ASSY, OIL INLET	1							
5	1	26106-080352	BOLT, M8X 35 PLATED	2							
6	1	114250-39450	SWITCH, 0.5KG	1							
7	1	124160-39140	BOLT, PIPE JOINT M10	1							
8	1	119802-39450	PIPE ASSY, OIL	1							
9	1	129005-59830	BOLT ASSY, JOINT M8	1							
10	2	23857-030000	BOLT, JOINT 3	1							
11	2	22190-080002	WASHER, SEAL 6	1							
12	1	22190-100002	WASHER, SEAL 10	2							
13	1	22190-080002	WASHER, SEAL 6	1							
14	1	26366-060002	NUT, M6	1							
15	1	119802-35100	BRACKET ASSY, FILTER	1							
16	2	119802-35110	BRACKET, FILTER	1							
17	2	129100-35140	STUD	1							
18	1	129150-35111	GASKET	1							
19	1	129150-35170	FILTER,LO	1							1
20	1	26106-080202	BOLT, M8X 20 PLATED	3							

Remarks
(1) REPAIR PART.

N:Old $\frac{100}{100}$ New. Q:Old $\frac{100}{100}$ New. R:Old $\frac{100}{100}$ New. S:Old $\frac{100}{100}$ New. W:Add. Z:Discontinued. F:Interchangeable by set. K:Q'ty Change
Copyright (C) YANMAR CO., LTD. All Rights Reserved.

Fig.9. COOLING FRESH WATER SYSTEM

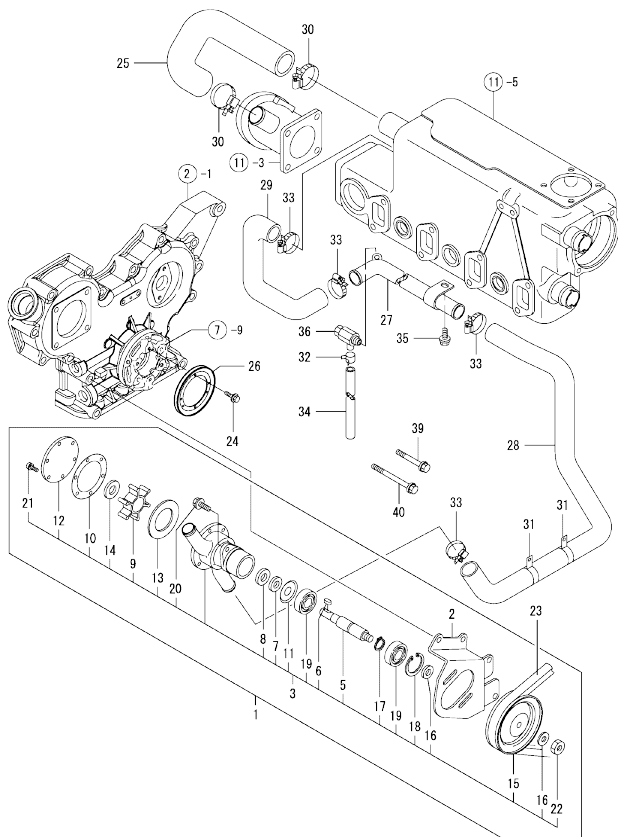


(A)=4TNV88-XKMR
(B)=
(C)=

(D)=
(E)=
(F)=

No.	Lev.	Parts No.	Description	Q'ty						I	R
				(A)	(B)	(C)	(D)	(E)	(F)		
1	1	129247-42000	PUMP ASSY, WATER	1							
3	2	129150-42059	GASKET	1							
4	2	129263-42120	PLATE	1							
8	2	129150-42300	FLANGE	1							
9	2	129150-42319	GASKET	1							
11	2	129054-42320	O-RING	1							
12	2	26577-060152	SCREW, M6X15	3							
13	2	26106-060202	BOLT, M6X 20 PLATED	2							
14	2	26116-060162	BOLT, M6X 16 PLATED	3							
16	2	129916-49740	PLUG, R03	2							
17	1	129550-42350	V-PULLEY, D=120	1							
18	1	129156-44760	WASHER	1							
19	1	22217-080000	WASHER, SPRING 8	1							
20	1	25132-004400	V-BELT, A44	1							
21	1	26106-060102	BOLT, M6X 10 PLATED	4							
22	1	26106-080552	BOLT, M8X 55 PLATED	2							
23	1	26106-080552	BOLT, M8X 55 PLATED	1							
24	1	26106-080652	BOLT, M8X 65 PLATED	1							
25	1	129470-49540	COVER, THERMOSTAT	1							
26	1	129795-49551	GASKET	1							
27	1	129457-49801	THERMOSTAT, 82	1							
28	1	129470-49810	GASKET, THERMOSTAT	1							
29	1	26106-080252	BOLT, M8X 25 PLATED	1							
30	1	129470-49200	JOINT, RUBBER	1							
31	1	129470-49220	RETAINER	1							
32	1	129470-49240	JOINT, RUBBER 28	1							
33	1	129470-49250	PIPE, WATER	1							
34	1	129470-49260	JOINT, RUBBER	1							
35	1	23000-041000	CLAMP, 41	6							
36	1	26106-080352	BOLT, M8X 35 PLATED	1							
37	1	129486-42050	GASKET, WATER PUMP	1							
38	1	23414-080000	GASKET, 8X1.0	1							
39	1	26106-080122	BOLT, M8X 12 PLATED	1							
40	1	129670-49290	COCK ASSY, R1/8	1							
43	1	121450-42450	PLUG, M16	1							
44	1	119620-49290	COCK ASSY, 1/4	1							
47	1	129263-49610	PIPE, WATER	1							
48	2	129263-49710	PIPE, WATER	1							
49	2	124722-59050	CLIP, HOSE 9	2							
50	1	129263-49620	PIPE, WATER	1							
51	2	129263-49720	PIPE, WATER	1							
52	2	124722-59050	CLIP, HOSE 9	2							
53	1	127610-91350	SWITCH, 95	1							
54	1	124465-44950	GASKET, 16	1							
55	1	129410-77330	ADJUSTER	1							
57	1	119940-77270	SPACER, GENERATOR	1							
58	1	119802-77340	BOLT, ADJUSTER	1							

Fig.10. COOLING SEA WATER SYSTEM



(A)=4TNV88-XKMR
(B)=
(C)=

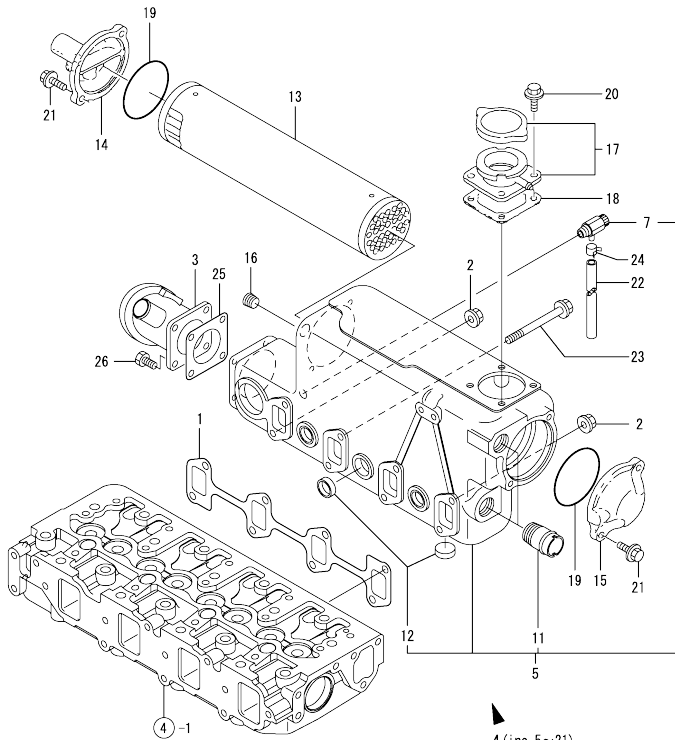
(D)=
(E)=
(F)=

No.	Lev.	Parts No.	Description	Q'ty						I	R	
				(A)	(B)	(C)	(D)	(E)	(F)			
1	1	129647-42500	PUMP ASSY, WATER	1							Z	
		(A=*2009.04)										
2	2	129647-42150	BRACKET, PUMP	1								
3	2	129579-42502	PUMP ASSY, WATER	1								
5	3	121575-42021	SHAFT, IMPELLER	1								
6	3	124223-42040	KEY	1								
7	3	124223-42070	PIECE	1								
8	3	124223-42080	SEAL, TC13X28X7	1								
9	3	124223-42092	IMPELLER	1								
10	3	124223-42110	GASKET, WATER PUMP	1								
11	3	121575-42120	COVER, BEARING	1								
12	3	121575-42150	COVER	1								
13	3	129579-42160	PLATE	1								
14	3	129579-42190	COVER	1								
15	3	124070-42400	V-PULLEY	1								
16	3	124070-42420	WASHER	2								
17	3	22242-000150	RING, 15	1								
18	3	22252-000350	RING, 35	1								
19	3	24107-062024	BEARING, BALL 6202ZZ	2								
20	3	26014-080162	BOLT, M8X 16	2								
21	3	26113-040088	BOLT, M4X 8	6								
22	3	129579-42590	NUT, M8	1								
23	1	104214-42780	V-BELT, HM30	1								1
24	1	26106-060082	BOLT, M6X 8 PLATED	4								
25	1	129475-49040	PIPE, WATER	1								
26	1	104407-21600	V-PULLEY	1								
27	1	129611-49010	PIPE, WATER	1								1
28	1	171487-49010	PIPE, WATER	1								1
29	1	129475-49020	PIPE, WATER	1								1
30	1	23000-035000	CLAMP, 35	2								
31	1	129579-49460	RETAINER, D32	2								1
32	1	124460-77680	RETAINER	2								1
33	1	23000-035000	CLAMP, 35	4								1
34	1	23061-070300	PIPE, 7X 300	2								1
35	1	26106-080162	BOLT, M8X 16 PLATED	1								
36	1	129670-49290	COCK ASSY, R1/8	1								1
39	1	26106-080602	BOLT, M8X 60 PLATED	1								W 1
		(A=*2009.04)										
40	1	26106-080902	BOLT, M8X 90 PLATED	1								W 1
		(A=*2009.04)										

Remarks
LOOSE PART

N:Old $\frac{100}{100}$ New, Q:Old $\frac{100}{100}$ New, R:Old $\frac{100}{100}$ New, S:Old $\frac{100}{100}$ New, W:Add, Z:Discontinued, F:Interchangeable by set, K:Q'ty Change
Copyright (C) YANMAR CO., LTD. All Rights Reserved.

Fig.11. COOLING FRESH WATER COOLER

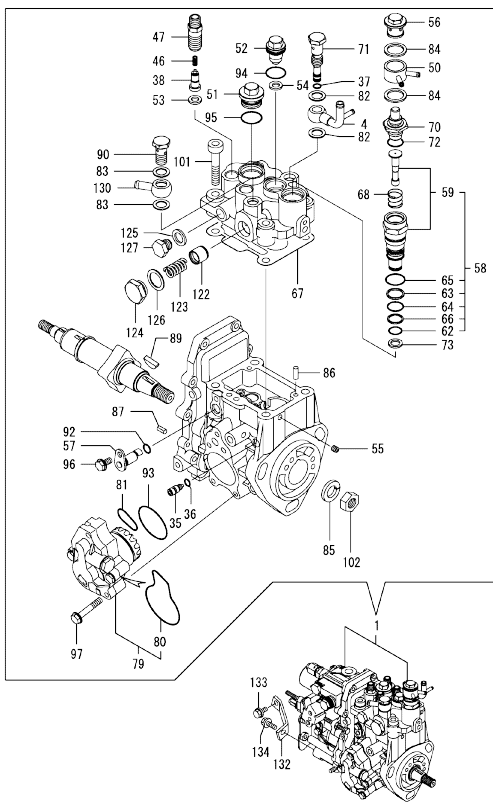


(A)=4TNV88-XKMR
(B)=
(C)=

(D)=
(E)=
(F)=

No.	Lev.	Parts No.	Description	Q'ty						I	R
				(A)	(B)	(C)	(D)	(E)	(F)		
1	1	129550-13110	GASKET	1							
2	1	26306-080002	NUT, M8	2							
3	1	129619-13560	ELBOW	1							
4	1	129619-44900	COOLER ASSY, WATER	1							
5	2	171487-44000	CORE ASSY, COOLER	1							
7	3	43600-500310	COCK	1							
11	3	124160-49480	JOINT, PIPE	2							
12	3	27241-280000	PLUG, 28	4							
13	2	129473-44111	CORE ASSY, COOLER	1							
14	2	129470-44440	COVER, A	1							
15	2	129470-44450	COVER, B	1							
16	2	23876-030000	PLUG, R03	1							
17	2	129171-44600	FILLER ASSY	1							
18	2	120445-44640	GASKET	1							
19	2	24321-000750	O-RING, 1AG75.0	2							
20	2	26106-080162	BOLT, M8X 16 PLATED	4							
21	2	26106-080252	BOLT, M8X 25 PLATED	4							
22	1	23061-120300	PIPE, 12X 300	1							
23	1	26106-081002	BOLT, M8X100 PLATED	6							
24	1	23080-013000	CLAMP, 13	1							
25	1	129472-18090	GASKET	1							
26	1	26115-080202	BOLT, M8X 20	4							

Fig.12. FUEL INJECTION PUMP



(A)=4TNV88-XKMR
(B)=
(C)=

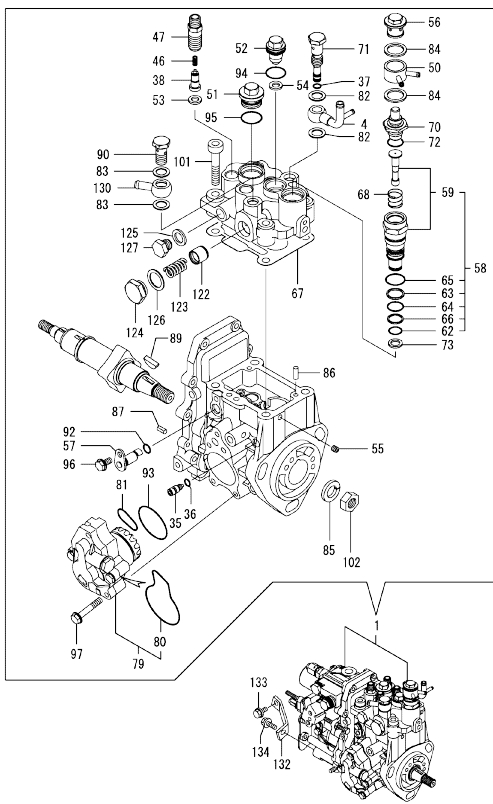
(D)=
(E)=
(F)=

No.	Lev.	Parts No.	Description	Q'ty						I	R
				(A)	(B)	(C)	(D)	(E)	(F)		
1	1	729647-51390	PUMP ASSY, INJECTION	1							1
4	2	158552-51670	JOINT, OVER FLOW	1							
35	2	158600-51270	STOPPER, TAPPET	1							
36	2	158563-51281	O-RING, 4D S6	1							
37	2	158563-51281	O-RING, 4D S6	1							
38	2	158560-51300	VALVE ASSY, DELIVERY	4							
46	2	158563-51330	SPRING, DELIVERY	4							
47	2	158601-51340	HOLDER, DELIVERY	4							
50	2	158553-51551	JOINT	1							
51	2	158601-51550	PLUG	1							
52	2	119802-51560	PLUG, BARREL	1							
53	2	158552-51570	GASKET	4							
54	2	158552-51570	GASKET	1							
55	2	158557-51570	PLUG	1							
56	2	158601-51570	PLUG	1							
57	2	158552-51580	LIFTER	1							
58	2	119802-51590	TIMER SET	1							
59	3	119802-51600	TIMER ASSY	1							
62	3	158553-51670	O-RING, 1011	1							
63	3	119802-51680	RING, BACK UP	1							
64	3	119802-51690	O-RING	1							
65	3	24356-010200	O-RING, 4D1020	1							
66	3	24372-000150	RING, BACK UP T2P15	1							
67	2	158552-51600	GASKET	1							
68	2	158553-51630	SPRING, TIMER	1							
70	2	158553-51640	ELEMENT	1							
71	2	158601-51650	JOINT, OVER FLOW	1							
72	2	158553-51660	O-RING, P14	1							
73	2	158553-51680	GASKET	1							
79	2	158552-52100	PUMP ASSY, FUEL FEED	1							
80	3	158552-52500	O-RING	1							
81	2	158552-52310	O-RING	1							
82	2	22190-120002	WASHER, SEAL 12	2							
83	2	22190-120002	WASHER, SEAL 12	2							
84	2	22190-180002	WASHER, SEAL 18	2							
85	2	22217-140000	WASHER, SPRING 14	1							
86	2	22312-050140	PIN, PARALLEL M5X14	2							
87	2	22351-050010	PIN, SPRING 5.0X10	2							
89	2	119802-51090	KEY, 4X16	1							
90	2	23857-060000	BOLT, JOINT 6	1							
92	2	24311-000070	O-RING, 1AP7.0	1							
93	2	158552-52400	O-RING, 4E S42	1							
94	2	24356-010180	O-RING, 4D1018	1							
95	2	24356-010200	O-RING, 4D1020	1							
96	2	26106-060102	BOLT, M6X 10 PLATED	1							
97	2	158553-51770	BOLT	4							
101	2	26450-080452	BOLT, M8X 45	4							
102	2	26776-140002	NUT, LOCK M14	1							
122	2	158601-51770	PISTON	1							
123	2	158552-51780	SPRING	1							
124	2	158601-51790	PLUG	1							

Remarks
(1) GOVERNOR ASSY(FIG.13) IS
INCORPORATED IN THIS FOP.CMP
(REF.NO.1).

N:Old $\frac{100}{100}$ New, Q:Old $\frac{100}{100}$ New, R:Old $\frac{100}{100}$ New, S:Old $\frac{100}{100}$ New, W:Add, Z:Discontinued, F:Interchangeable by set, K:Q'ty Change
++ CONTINUE ++
Copyright (C) YANMAR CO., LTD. All Rights Reserved.

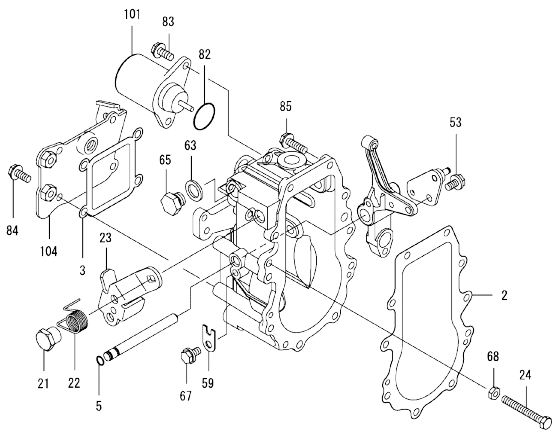
Fig.12. FUEL INJECTION PUMP



No.	Lev.	Parts No.	Description	Q'ty						I	R
				(A)	(B)	(C)	(D)	(E)	(F)		
125	2	22190-120002	WASHER, SEAL 12	1							
126	2	22190-180002	WASHER, SEAL 18	1							
127	2	23887-120002	PLUG, 12	1							
130	2	129916-59020	JOINT, PIPE 12	1							
132	1	129601-51250	RETAINER, PUMP	1							
133	1	26106-080162	BOLT, M8X 16 PLATED	1							
134	1	26106-080202	BOLT, M8X 20 PLATED	1							

Remarks
 (1) GOVERNOR ASSY(FIG.13) IS
 INCORPORATED IN THIS FOP.CMP
 (REF.NO.1).

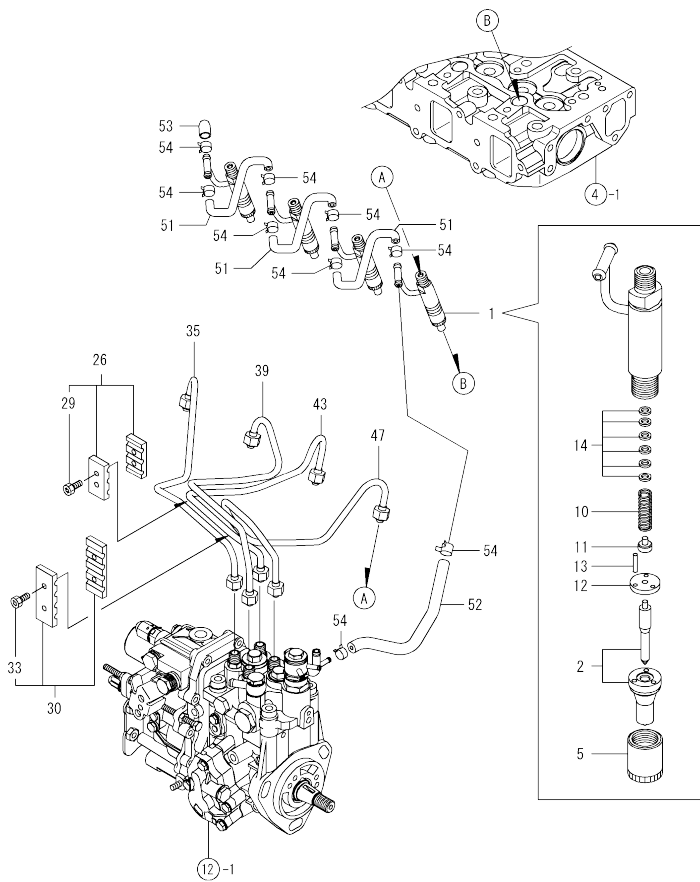
Fig.13. GOVERNOR



No.	Lev.	Parts No.	Description	Q'ty						I	R
				(A)	(B)	(C)	(D)	(E)	(F)		
2	2	158553-61050	GASKET	1							
3	2	158553-61070	GASKET	1							
5	2	129155-51280	O-RING, S6	1							
21	2	129255-61410	NUT, LOCK	1							
22	2	119807-61420	SPRING, RETURN	1							
23	2	129246-61441	LEVER, REGULATOR	1							
24	2	129155-61460	BOLT, IDLE	1							
53	2	26106-060102	BOLT, M6X 10 PLATED	1							
59	2	119660-61901	RETAINER, SHAFT	1							
63	2	22190-120000	WASHER, SEAL 12	1							
65	2	23887-120002	PLUG, 12	1							
67	2	26106-060102	BOLT, M6X 10 PLATED	1							
68	2	26756-060002	NUT, LOCK M6	1							
82	2	158552-61900	O-RING	1							
83	2	26106-060142	BOLT, M6X 14 PLATED	2							
84	2	26106-060142	BOLT, M6X 14 PLATED	4							
85	2	26106-060202	BOLT, M6X 20 PLATED	10							
101	2	119653-77950	SOLENOID, STOP	1							
104	2	129246-61061	COVER, GOVERNOR CASE	1							

Remarks
 * THIS FIGURE(GOVERNOR ASSY)IS
 INCORPORATED IN THE FUEL INJECTION
 PUMP ASSY(FIG.12).

Fig.14. FUEL INJECTION VALVE

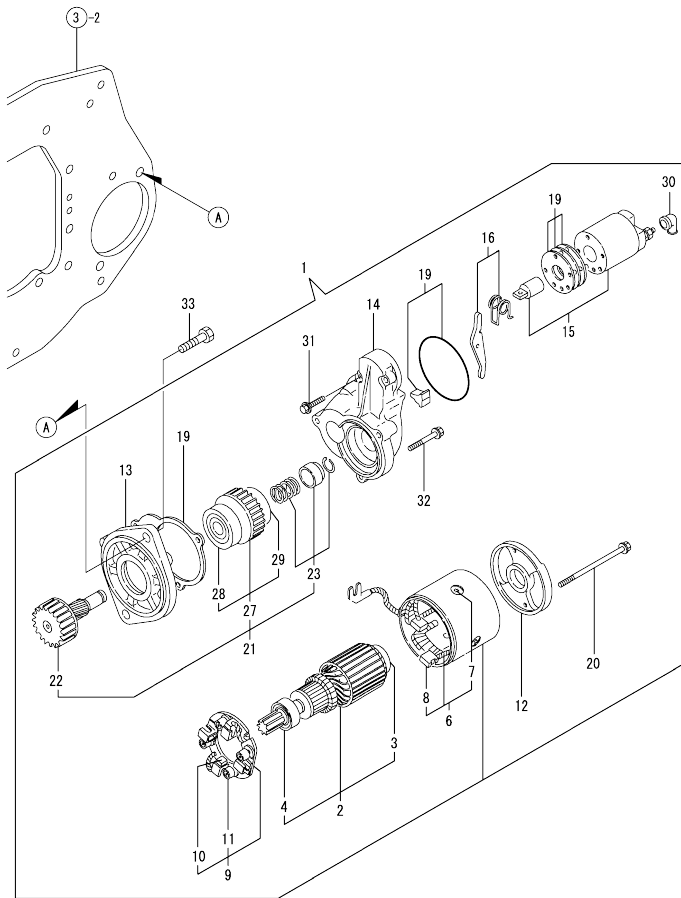


(A)=4TNV88-XKMR
(B)=
(C)=

(D)=
(E)=
(F)=

No.	Lev.	Parts No.	Description	Q'ty					
				(A)	(B)	(C)	(D)	(E)	(F)
1	1	729246-53101	VALVE ASSY,INJECTION	4					
2	2	129246-53001	VALVE ASSY,INJECTION	4					
5	2	114250-53080	NUT, NOZZLE D16.95	4					
10	2	114250-53120	SPRING, NOZZLE	4					
11	2	114250-53130	SEAT, SPRING	4					
12	2	114250-53140	PLATE	4					
13	2	114250-53210	PIN	8					
14	2	114250-53400	SHIM SET	4					
26	1	129150-59120	RETAINER, PIPE	1					
29	2	129150-59131	BOLT, M4X14	2					
30	1	129550-59120	RETAINER, PIPE	1					
33	2	129150-59131	BOLT, M4X14	2					
35	1	129601-59810	PIPE ASSY, INJECTION	1					
39	1	129601-59820	PIPE ASSY, INJECTION	1					
43	1	129601-59830	PIPE ASSY, INJECTION	1					
47	1	129601-59840	PIPE ASSY, INJECTION	1					
51	1	129270-59550	PIPE, FUEL	3					
52	1	119802-59570	PIPE, FUEL	1					
53	1	129270-59580	CAP	1					
54	1	23000-013000	CLAMP, 13	9					

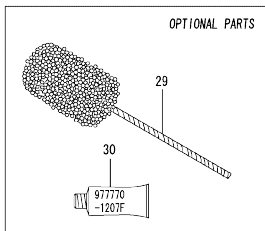
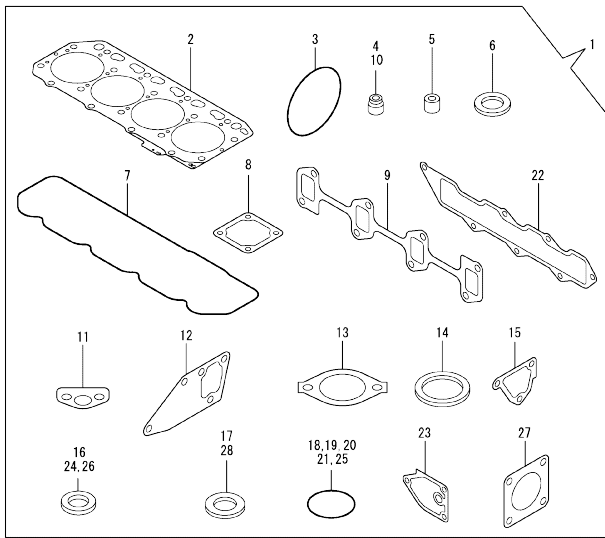
Fig.16. STARTING MOTOR



No.	Lev.	Parts No.	Description	Q'ty						I	R
				(A)	(B)	(C)	(D)	(E)	(F)		
1	1	171008-77010	STARTER, S114-483	1							
2	2	171008-77400	ARMATURE ASSY	1							
3	3	X2130350900	BALL BEARING	1							
4	3	X2114255110	BEARING, BALL	1							
6	2	171008-77440	COIL ASSY, FIELD	1							
7	3	171008-77450	SCREW	4							
8	3	171008-77460	BRUSH (+)	2							
9	2	171008-77470	HOLDER ASSY, BRUSH	1							
10	3	171008-77480	BRUSH (-)	2							
11	3	171008-77490	SPRING, BRUSH	4							
12	2	171008-77500	COVER, REAR	1							
13	2	171008-77510	HOUSING ASSY, GEAR	1							
14	2	171008-77520	HOUSING, CENTER	1							
15	2	171008-77531	MAGNETIC SWITCH ASSY	1							
16	2	171008-77540	LEVER SET, SHIFT	1							
19	2	171008-77571	DUST COVER, (NON-ASB.	1							
20	2	171008-77640	BOLT, THROUGH	2							
21	2	171008-77650	PINION ASSY	1							
22	3	171008-77660	SHAFT, PINION	1							
23	3	171008-77670	STOPPER SET, PINION	1							
27	3	X2114555500	CLUTCH ASSY	1							
28	4	X2114955020	BALL BEARING	1							
29	4	X2240410100	BEARING, BALL	1							
30	2	171008-77750	COVER, M TERMINAL	1							
31	2	26106-060322	BOLT, M6X 32 PLATED	2							
32	2	26106-060402	BOLT, M6X 40 PLATED	3							
33	1	26116-120252	BOLT, M12X 25 PLATED	2							

0CW10-M11300 4TNV88-XKMR
 Fig.17. GASKET SET

0CW10-M11300 Fig.17



(A)=4TNV88-XKMR
 (B)=
 (C)=

(D)=
 (E)=
 (F)=

No.	Lev.	Parts No.	Description	Qty						I	R	
				(A)	(B)	(C)	(D)	(E)	(F)			
1	1	729150-92860	GASKET SET	1							1	
2	2	129407-01340	GASKET, HEAD	1								
3	2	121850-51960	O-RING	1								
4	2	124460-11340	SEAL, VALVE STEM	4								
5	2	119802-11870	PROTECTOR, NOZZLE	4								
6	2	119625-11880	SEAT, NOZZLE	4								
7	2	129601-11310	GASKET, BONNET	1								
8	2	129150-77511	GASKET	1								
9	2	129550-13110	GASKET	1								
10	2	121400-11340	SEAL, VALVE STEM	4								
11	2	129150-35042	GASKET	1								
12	2	129486-42050	GASKET, WATER PUMP	1								
13	2	129795-49551	GASKET	1								
14	2	129470-49810	GASKET, THERMOSTAT	1								
15	2	124395-49840	GASKET	1								
16	2	22190-080002	WASHER, SEAL 6	2								
17	2	124465-44950	GASKET, 16	1								
18	2	24311-000120	O-RING, 1AP12.0	3								
19	2	24311-000320	O-RING, 1AP32.0	2								
20	2	24341-000240	O-RING, 1AS24.0	1								
21	2	129486-42140	O-RING, G30	1								
22	2	129407-12110	GASKET, MANIFOLD	1								
23	2	129150-35111	GASKET	1								
24	2	22190-220002	WASHER, SEAL 22	1								
25	2	119609-32040	O-RING, P16	4								
26	2	22190-100002	WASHER, SEAL 10	2								
27	2	129472-18090	GASKET	1								
28	2	23414-080000	GASKET, 8X1.0	1								
29	1	129400-92430	HONE	1								1
30	1	977770-1207F	GASKET, LIQUID	1								1

Remarks
 (1) OPTIONAL PARTS.

N:Old $\frac{New}{Old}$ New, Q:Old $\frac{New}{Old}$ New, R:Old $\frac{New}{Old}$ New, S:Old $\frac{New}{Old}$ New, W:Add, Z:Discontinued, F:Interchangeable by set, K:Qty Change
 Copyright (C) YANMAR CO., LTD. All Rights Reserved.

Parts No. Index

Parts No.	Fig. No.	Ref. No.	Parts No.	Fig. No.	Ref. No.	Parts No.	Fig. No.	Ref. No.	Parts No.	Fig. No.	Ref. No.
104214-42780	10	23	119934-01800	2	6 -1	129004-03010	4	39	129150-77511	17	8
104407-21600	10	26	119940-77270	9	57	129004-11130	4	10	129155-51280	13	5
114250-39450	8	6	120130-11860	4	5	129004-11650	4	31	129155-61460	13	24
114250-53080	14	5	120270-54410	4	23	129004-11900	4	21	129156-44760	9	18
114250-53120	14	10	120445-44640	11	18	129004-55612	15	1	129171-44600	11	17
114250-53130	14	11	121023-01551	2	28	129005-22080	7	17	129176-01601	3	2
114250-53140	14	12	121111-21501	7	12	129005-22500	7	19	129202-22300	7	23
114250-53210	14	13	121400-11340	4	16	129005-22900	7	33	129246-53001	14	2
114250-53400	14	14		17	10	129005-22950	7	35	129246-61061	13	104
119609-32040	2	17	121450-42450	9	43	129005-34802	8	1	129246-61441	13	23
	17	25	121520-34810	8	2	129005-59830	8	9	129247-42000	9	1
119620-49290	9	44	121550-23200	7	30	129054-42320	9	11	129255-61410	13	21
119625-11880	4	20	121575-42021	10	5	129100-01580	3	1	129263-42120	9	4
	17	6	121575-42120	10	11			15	129263-49610	9	47
119640-01640	3	9	121575-42150	10	12		7	2	129263-49620	9	50
119653-77950	13	101	121850-21680	7	11	129100-01640	3	16	129263-49710	9	48
119660-61901	13	59	121850-51960	2	21	129100-11112	4	11	129263-49720	9	51
119802-01520	2	12		17	3	129100-23910	7	29	129270-59550	14	51
119802-01561	2	13	124060-01050	1	10	129100-35140	8	17	129270-59580	14	53
119802-03110	4	41	124070-42400	10	15	129150-01200	1	31	129400-01730	3	6
119802-03121	4	42	124070-42420	10	16	129150-02020	1	7	129400-92430	17	29
119802-03130	4	43	124160-01751	2	14	129150-02450	6	4	129407-01340	1	32
119802-03141	4	44		4	50	129150-02871	1	34		17	2
119802-11260	4	26	124160-01910	1	5	129150-02931	1	28	129407-12110	5	5
119802-11270	4	27		1	15	129150-02941	1	37		17	22
119802-11870	4	19	124160-11360	4	52	129150-03070	4	40	129410-03990	5	2
	17	5	124160-39140	8	7	129150-11230	4	32	129410-77330	9	55
119802-21202	7	5	124160-49480	11	11	129150-11280	4	28	129418-32320	2	10
119802-25051	6	9	124223-42040	10	6	129150-11370	4	18	129457-49801	9	27
119802-25071	6	13	124223-42070	10	7	129150-11750	4	34	129470-07230	4	57
119802-25101	6	10	124223-42080	10	8	129150-11810	4	7	129470-44440	11	14
119802-25901	6	15	124223-42092	10	9	129150-14101	6	7	129470-44450	11	15
119802-32070	2	8	124223-42110	10	10	129150-14200	6	1	129470-49200	9	30
119802-32100	2	7	124240-01871	2	15	129150-14400	6	2	129470-49220	9	31
119802-32111	2	18	124395-49840	17	15	129150-23601	7	31	129470-49240	9	32
119802-32120	2	19	124460-11340	4	17	129150-23611	7	39	129470-49250	9	33
119802-32130	2	20		17	4	129150-25301	6	16	129470-49260	9	34
119802-35100	8	15	124460-77680	10	32	129150-35042	8	3	129470-49540	9	25
119802-35110	8	16	124465-44950	9	54		17	11	129470-49810	9	28
119802-39450	8	8		17	17	129150-35091	8	4		17	14
119802-51090	12	89	124550-21600	7	16	129150-35111	8	18	129472-18090	11	25
119802-51560	12	52	124722-59050	9	49		17	23		17	27
119802-51590	12	58			52	129150-35170	8	19	129473-44111	11	13
119802-51600	12	59	127610-91350	9	53	129150-42059	9	3	129475-49020	10	29
119802-51680	12	63	128370-59102	15	5	129150-42300	9	8	129475-49040	10	25
119802-51690	12	64	129001-01250	1	11	129150-42319	9	9	129486-01670	3	19
119802-55810	15	2	129001-02931	1	25	129150-59120	14	26	129486-42050	9	37
119802-59570	14	52	129001-32330	2	11	129150-59131	14	29		17	12
119802-77340	9	58	129001-91841	2	22			33	129486-42140	17	21
119807-61420	13	22	129004-01190	1	33	129150-77511	5	11	129489-21570	7	13

Parts No. Index

Parts No.	Fig. No.	Ref. No.
129550-13110	11	1
	17	9
129550-42350	9	17
129550-59120	14	30
129579-21651	7	9
129579-42160	10	13
129579-42190	10	14
129579-42502	10	3
129579-42590	10	22
129579-49460	10	31
129601-03080	5	1
129601-11241	4	25
129601-11251	4	29
129601-11310	4	47
	17	7
129601-11350	4	38
129601-11700	4	1
129601-12100	5	3
129601-21002	7	1
129601-51250	12	132
129601-59810	14	35
129601-59820	14	39
129601-59830	14	43
129601-59840	14	47
129611-49010	10	27
129619-13560	11	3
129619-44900	11	4
129647-42150	10	2
129647-42500	10	1
129649-12210	5	8
129649-59010	15	4
129670-49290	9	40
	10	36
129795-01780	3	18
129795-01800	2	6
		6 -2
129795-01900	2	32
129795-01950	2	16
129795-02412	1	14
129795-11120	4	12
129795-11180	4	13
129795-21661	7	10
129795-49551	9	26
	17	13
129900-07900	4	54
129900-32130	2	9
129916-49740	9	16
129916-59020	12	130
158552-51151	6	18
158552-51570	12	53

Parts No.	Fig. No.	Ref. No.
158552-51570	12	54
158552-51580	12	57
158552-51600	12	67
158552-51670	12	4
158552-51780	12	123
158552-52100	12	79
158552-52310	12	81
158552-52400	12	93
158552-52500	12	80
158552-61900	13	82
158553-51551	12	50
158553-51630	12	68
158553-51640	12	70
158553-51660	12	72
158553-51670	12	62
158553-51680	12	73
158553-51770	12	97
158553-61050	13	2
158553-61070	13	3
158553-61070	13	3
158557-51570	12	55
158560-51300	12	38
158563-51281	12	36
		37
158563-51330	12	46
158600-51270	12	35
158601-51340	12	47
158601-51550	12	51
158601-51570	12	56
158601-51650	12	71
158601-51770	12	122
158601-51790	12	124
171008-77010	16	1
171008-77400	16	2
171008-77440	16	6
171008-77450	16	7
171008-77460	16	8
171008-77470	16	9
171008-77480	16	10
171008-77490	16	11
171008-77500	16	12
171008-77510	16	13
171008-77520	16	14
171008-77531	16	15
171008-77540	16	16
171008-77571	16	19
171008-77640	16	20
171008-77650	16	21
171008-77660	16	22
171008-77670	16	23
171008-77750	16	30

Parts No.	Fig. No.	Ref. No.
171051-01921	1	6
171487-44000	11	5
171487-49010	10	28
22190-080002	8	11
		13
	17	16
22190-100002	8	12
	17	26
22190-120000	13	63
22190-120002	12	82
		83
		125
22190-180002	12	84
		126
22190-220002	3	11
	17	24
22217-080000	9	19
22217-140000	6	19
	12	85
22242-000150	10	17
22252-000260	7	24
22252-000350	10	18
22312-050140	12	86
22351-030010	7	8
22351-050010	12	87
22351-060012	4	22
22512-070140	6	8
	7	6
22857-500100	4	48
		49
23000-013000	14	54
23000-016000	15	6
23000-035000	10	30
		33
23000-041000	9	35
23061-070300	10	34
23061-120300	11	22
23080-013000	11	24
23414-080000	9	38
	17	28
23857-030000	8	10
23857-060000	12	90
23876-010000	5	10
23876-030000	2	4
	11	16
23876-040000	2	5
23887-120002	12	127
	13	65
24107-062024	10	19
24311-000070	12	92

Parts No.	Fig. No.	Ref. No.
24311-000120	4	53
	17	18
24311-000320	2	23
	4	51
	17	19
24321-000750	11	19
24341-000240	2	29
	17	20
24356-010180	12	94
24356-010200	12	65
		95
24372-000150	12	66
25132-004400	9	20
26014-080162	10	20
26106-060082	10	24
26106-060102	9	21
	12	96
	13	53
		67
26106-060142	13	83
		84
26106-060162	2	30
26106-060202	9	13
	13	85
26106-060322	16	31
26106-060402	16	32
26106-080122	9	39
26106-080142	6	17
26106-080162	2	24
		25
		12
		4
		55
		10
		35
		11
		20
		12
26106-080202	5	6
		12
	8	20
	12	134
26106-080252	3	13
	4	36
	9	29
	11	21
26106-080302	15	3
26106-080352	3	20
	4	24
	8	5
	9	36
26106-080402	6	14
26106-080452	3	14

Parts No. Index

Parts No.	Fig. No.	Ref. No.
26106-080452	3	14 -1
26106-080502	3	21
	4	37
26106-080552	2	26
	9	22
		23
26106-080602	10	39
26106-080652	5	13
	9	24
26106-080802	5	7
26106-080902	10	40
26106-081002	11	23
26113-040088	10	21
26115-080202	11	26
26116-060162	9	14
26116-120252	16	33
26206-100202	3	4
26206-100252	3	5
26226-080182	4	35
26306-080002	2	27
	11	2
26366-060002	8	14
26450-080452	12	101
26577-060152	9	12
26756-060002	13	68
26776-140002	6	20
	12	102
27241-120000	1	12
27241-280000	11	12
27241-300000	1	13
27241-400000	4	9
27310-080001	4	14
43600-500310	11	7
719802-01500	2	1
729046-01500	2	1 -1
729150-92860	17	1
729246-53101	14	1
729402-23100	7	25
729577-01720	3	8
729601-14580	6	3
729602-01560	1	1
729647-51390	12	1
977770-1207F	2	31
	3	3
	4	56
	17	30
X2114255110	16	4
X2114555500	16	27
X2114955020	16	28
X2130350900	16	3

Parts No.	Fig. No.	Ref. No.
X2240410100	16	29

Parts No.	Fig. No.	Ref. No.
-----------	----------	----------

Parts No.	Fig. No.	Ref. No.
-----------	----------	----------