

0CW10-M08100EN

# PREFACE

- 1.This Parts Catalog carries all parts incorporated in YANMAR Model 4TNV88-GNP engine manufactured since December, 2005.
- 2.Each illustration corresponds to the parts list on the following page.
- 3.When ordering parts,clearly write down the engine model and serial number,as well as the name and number of each part in your order sheet. This will help insure reliable delivery of the parts you have ordered.

## Directions for the Parts Catalog.

1. The parts stipulated in this Parts Catalog are not necessarily standard equipped parts.
2. Parts may change without prior notice.
3. The following is an example of the Parts Catalog format.

REF.	LEV.	PARTS NO.	DESCRIPTION	Q'TY						I	R
				(A)	(B)	(C)	(D)	(E)	(F)		
1	1	729595-51390	FUEL INJECTION PUMP	1	1	1	1	1			1
1-1	1	729595-51391	FUEL INJECTION PUMP	1	1	1	1	1		N	1
		(A=E00185) (B=E00200)									
3	2	26022-060162	SCREW M 6X 16	9	9	9	9	9			
3-1	2	26022-060162	SCREW M 6X 16	4	4	4	4	4		K	
		(A=E00156) (B=E00156) (C=E00156) (D=E00156) (E=E00156)									
4	2	129470-51040	CAMSHAFT	1	1	1	1	1			
5	2	122710-51050	BEARING, ROLLER	2	2	2	2	2			
6	2	129470-51060	RETAINER	1	1	1	1	1			

Remarks
(1) BOOST COMPEMSATOR TYPE. OPTIONAL PART, TO E00155,(4JH-DT, 4JH-DTZ

### ① Ref. No.

The Ref. No. listed may not be in accordance with the illustration Ref. No.

(Ex.) Illustration No. List Ref No.

1 1 (Before change) → 1-1 (After change)

For interchangeable symbols N, R and K, illustrations for new parts may be abbreviated.

### ② Lev. (Level)

Level indication

The numbers below indicate the level of relativity towards the main part.

1 ---- Main parts (Assembly parts)

2 ---- Sub component included in " 1 ".

3 ---- Sub component included in " 2 ".

Note) Parts that are not for sale are partially illustrated but not listed.

### ③ Interchangeability Mark

When a part change takes place, one of the following interchangeability symbols is indicated beside the part.

Symbol	Interchangeability	Contents note
N	Old $\begin{matrix} \leftarrow \text{Yes} \\ \text{No} \rightarrow \end{matrix}$ New	New Part is interchangeable for Old Part but Old Part is not interchangeable for New Part.
Q	Old $\begin{matrix} \leftarrow \text{No} \\ \text{Yes} \rightarrow \end{matrix}$ New	New Part is not interchangeable for Old Part but Old Part is interchangeable for New Part.
R	Old $\begin{matrix} \leftarrow \text{Yes} \\ \text{Yes} \rightarrow \end{matrix}$ New	New/ Old Parts are both interchangeable.
S	Old $\begin{matrix} \leftarrow \text{No} \\ \text{No} \rightarrow \end{matrix}$ New	New/ Old Parts are both not interchangeable.
W		Part newly added.
Z		Part discontinued.
F		Not interchangeable by a single part but interchangeable together with related parts.
K		Changes only for used parts quantities.

### ④ Effective Machine No.

When a part changes, the effective Machine No. will be indicated in the (A)-(F) column.

Product Symbol	Product No.	Product Symbol	Product No.
C	Clutch No. Compressor No.	F	Machine No. (Agricultural Equip.)
D	Drive No.	M	Machine No.
E	Engine No.		

Note 1) A date may follow the symbol. (Ex.) 1996.01

Note 2) "XXXXX" and "ZZZZZ" are for parts that could not be predicted or for engine models that could not be identified.

Note 3) (A=E00185) is the E (Engine Serial Number) for the column (A) model (in this case 4JH-DT) after the parts design change.

### ⑤ Remarks Mark

Figures or alphabets (symbols) are entered in the remarks column.

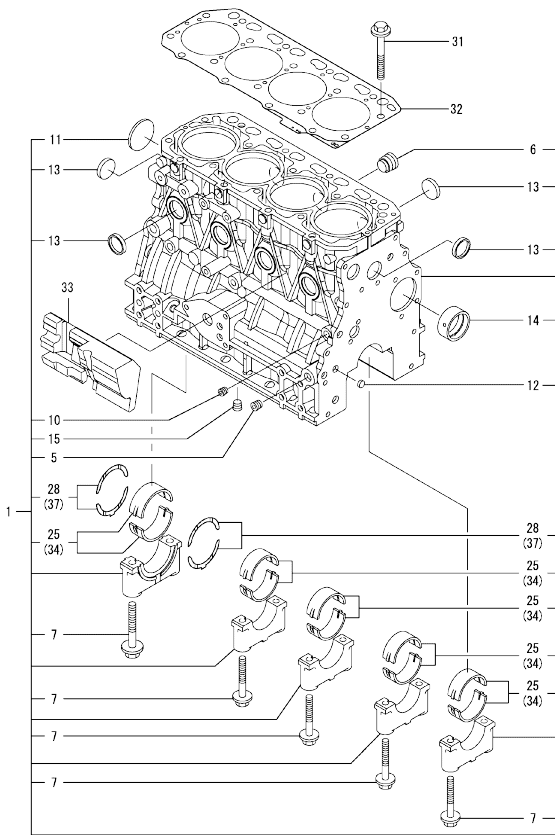
The comments (remarks) on parts that are indicated at the bottom of the illustration are the same symbols as those stated above.

## Contents

Fig. No.	Fig. Name	Fig. No.	Fig. Name
ENGINE 4TNV88-GNP			
1.	CYLINDER BLOCK		
2.	GEAR HOUSING		
3.	FLYWHEEL HOUSING & OIL SUMP		
4.	CYLINDER HEAD & BONNET		
5.	SUCTION MANIFOLD		
6.	EXHAUST MANIFOLD		
7.	CAMSHAFT & DRIVING GEAR		
8.	CRANKSHAFT & PISTON		
9.	LUB.OIL SYSTEM		
10.	COOLING WATER SYSTEM		
11.	FUEL INJECTION PUMP		
12.	GOVERNOR		
13.	FUEL INJECTION VALVE		
14.	FUEL LINE		
15.	STARTING MOTOR		
16.	GENERATOR		
17.	GASKET SET		

OCW10-M08100

Fig.1. CYLINDER BLOCK



No.	Lev.	Parts No.	Description	Q'ty						I	R
				(A)	(B)	(C)	(D)	(E)	(F)		
1	1	729602-01560	BLOCK ASSY, CYLINDER	1							
5	2	124160-01910	PLUG, PT1/4	2							
6	2	171051-01921	PLUG, NPTF1	1							
7	2	129150-02020	BOLT, METAL CAP	10							
10	2	124060-01050	PLUG, PT1/8	1							
11	2	129001-01250	PLUG, 50	1							
12	2	27241-120000	PLUG, 12	2							
13	2	27241-300000	PLUG 30	8							
14	2	129795-02411	BUSH, CAMSHAFT	1							
15	2	124160-01910	PLUG, PT1/4	1							
25	2	129001-02930	BEARING, MAIN	5							3
28	2	129150-02930	BEARING, THRUST	2							
31	1	129150-01200	BOLT, HEAD	18							
32	1	129407-01340	GASKET, HEAD	1							
33	1	129004-01190	SPACER	1							
34	1	129150-02870	BEARING, 0.25 US	5							1
37	1	129150-02940	BEARING, THRUST 0.25	1							2

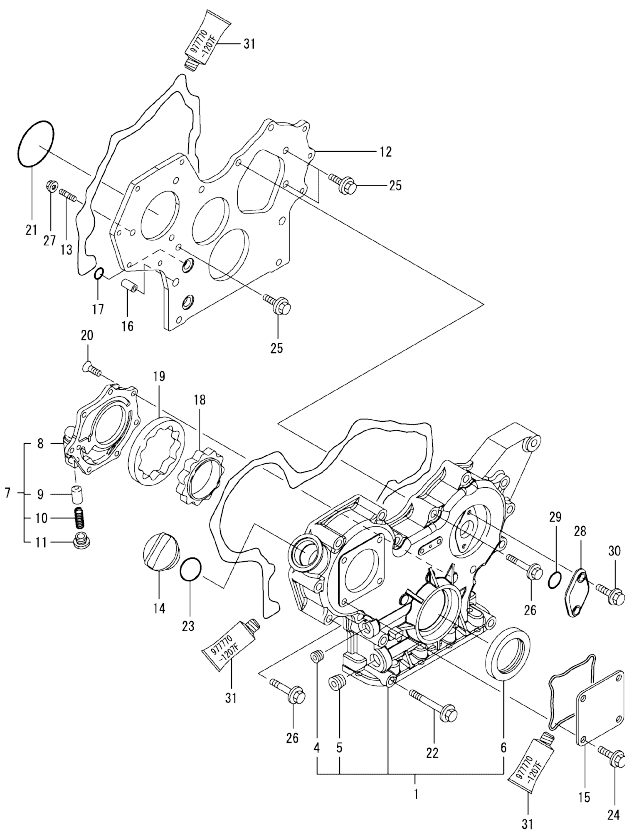
Remarks

- (1) UNDER-SIZE(U.S=0.25)PART.
- (2) OVER-SIZE(O.S=0.25)PART.
- (3) REPAIR PART.

N:Old  $\frac{100}{100}$  New, Q:Old  $\frac{100}{100}$  New, R:Old  $\frac{100}{100}$  New, S:Old  $\frac{100}{100}$  New, W:Add, Z:Discontinued, F:Interchangeable by set, K:Qty Change  
 Copyright (C) YANMAR CO., LTD. All Rights Reserved.

OCW10-M08100

Fig.2. GEAR HOUSING



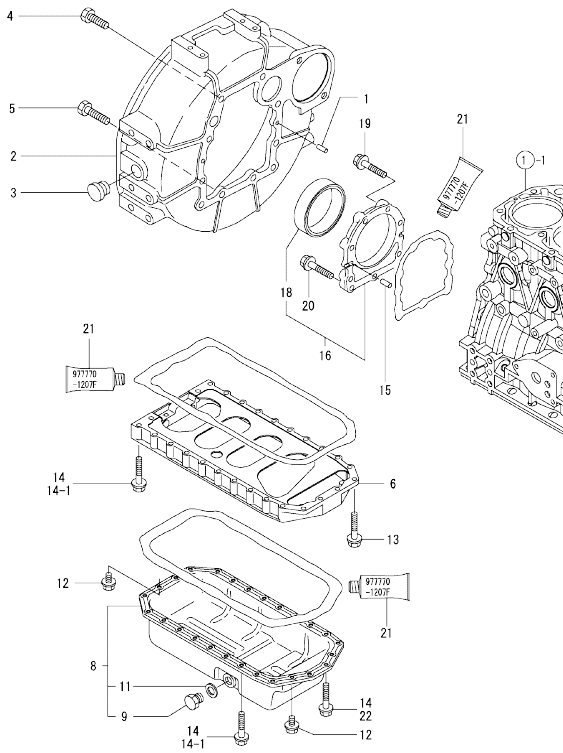
No.	Lev.	Parts No.	Description	Q'ty						I	R
				(A)	(B)	(C)	(D)	(E)	(F)		
1	1	719802-01500	CASE ASSY, GEAR	1							
4	2	23876-030000	PLUG, R03	1							
5	2	23876-040000	PLUG, R04	1							
6	2	129795-01800	SEAL, OIL	1							
7	1	119802-32100	COVER ASSY	1							
8	2	119802-32070	COVER	1							
9	2	129900-32130	VALVE, RELIEF	1							
10	2	129418-32320	SPRING	1							
11	2	129001-32330	PLUG	1							
12	1	119802-01520	FLANGE, GEAR CASE	1							
13	1	119802-01561	STUD, M8X25	3							
14	1	124160-01751	COVER, FILLER	1							
15	1	124240-01871	COVER	1							
16	1	129795-01950	PIPE, KNOCK L=18	2							
17	1	119609-32040	O-RING, P16	4							
18	1	119802-32111	ROTOR, INNER	1							
19	1	119802-32120	ROTOR, OUTER	1							
20	1	119802-32130	SCREW, M6X16	7							
21	1	121850-51960	O-RING	1							
22	1	129001-91841	BOLT, M8X85	3							
23	1	24311-000320	O-RING, 1AP32.0	1							
24	1	26106-080162	BOLT, M8X 16 PLATED	4							
25	1	26106-080162	BOLT, M8X 16 PLATED	3							
26	1	26106-080552	BOLT, M8X 55 PLATED	12							
27	1	26306-080002	NUT, M8	3							
28	1	121023-01551	COVER	1							
29	1	24341-000240	O-RING, 1AS24.0	1							
30	1	26106-060162	BOLT, M6X 16 PLATED	2							
31	1	977770-1207F	GASKET, LIQUID	1							1

Remarks  
 (1) OPTIONAL PART.

N:Old  $\frac{100}{100}$  New, Q:Old  $\frac{100}{100}$  New, R:Old  $\frac{100}{100}$  New, S:Old  $\frac{100}{100}$  New, W:Add, Z:Discontinued, F:Interchangeable by set, K:Qty Change  
 Copyright (C) YANMAR CO., LTD. All Rights Reserved.

OCW10-M08100

Fig.3. FLYWHEEL HOUSING & OIL SUMP



No.	Lev.	Parts No.	Description	Q'ty						I	R
				(A)	(B)	(C)	(D)	(E)	(F)		
1	1	129100-01580	PIN, M8X16	2							
2	1	129612-01600	HOUSING, FLYWHEEL	1							
3	1	119620-01750	CAP	1							
4	1	26206-100252	BOLT, M10X 25 PLATED	6							
5	1	26206-100302	BOLT, M10X 30 PLATED	4							
6	1	129400-01730	SPACER, OIL SUMP	1							
8	1	129400-01770	SUMP ASSY, OIL	1							
8-1	1	129688-01780	OIL PAN ASSY, DEEP	1						N	2
(A=REF. TO R)											
9	2	119640-01640	PLUG, DRAIN M22	1							
11	2	22190-220002	WASHER, SEAL 22	1							
12	1	26106-080162	BOLT, M8X 16 PLATED	4							
13	1	26106-080252	BOLT, M8X 25 PLATED	2							
14	1	26106-080452	BOLT, M8X 45 PLATED	24							
14-1	1	26106-080452	BOLT, M8X 45 PLATED	20							K
(A=FROM 1ST)											
15	1	129100-01580	PIN, M8X16	2							
16	1	129100-01640	CASE ASSY, OIL SEAL	1							
18	2	129795-01780	SEAL, OIL	1							
19	1	129486-01670	BOLT, M8X30	6							
20	1	26106-080352	BOLT, M8X 35 PLATED	3							
21	1	977770-1207F	GASKET, LIQUID	1							1
22	1	26106-080502	BOLT, M8X 50 PLATED	4							W
(A=FROM 1ST)											

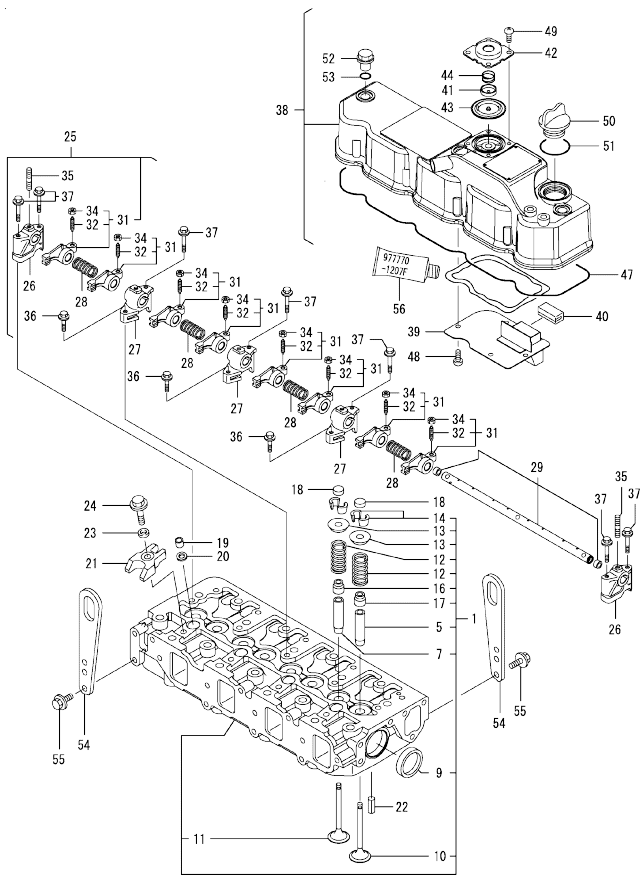
Remarks

- (1)Optional parts.
- (2)For repair.

N:Old  $\frac{100}{100}$  New, Q:Old  $\frac{100}{100}$  New, R:Old  $\frac{100}{100}$  New, S:Old  $\frac{100}{100}$  New, W:Add, Z:Discontinued, F:Interchangeable by set, K:Q'ty Change  
 Copyright (C) YANMAR CO., LTD. All Rights Reserved.

OCW10-M08100

Fig.4. CYLINDER HEAD & BONNET



Remarks

- (1) REPAIR PART.
- (2) OPTIONAL PART.

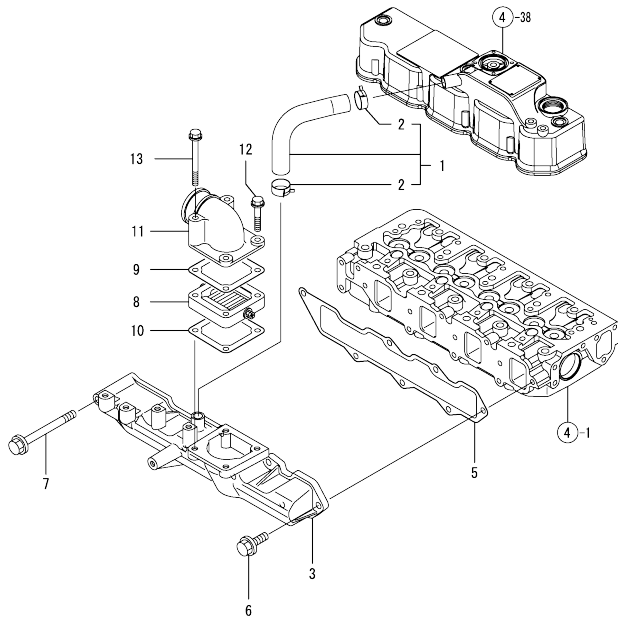
No.	Lev.	Parts No.	Description	Q'ty						I	R
				(A)	(B)	(C)	(D)	(E)	(F)		
1	1	129601-11700	HEAD ASSY, CYLINDER	1							
5	2	120130-11860	GUIDE, VALVE	4							1
7	2	129150-11810	GUIDE, VALVE	4							1
9	2	27241-400000	PLUG, 40	2							
10	2	129004-11130	VALVE, INTAKE	4							
11	2	129100-11112	VALVE, EXHAUST	4							
12	2	129795-11120	SPRING, VALVE	8							
13	2	129795-11180	RETAINER, SPRING	8							
14	2	27310-080001	COTTER, 8	8							
16	2	121400-11340	SEAL, VALVE STEM	4							
17	2	124460-11340	SEAL, VALVE STEM	4							
18	1	129150-11370	CAP, VALVE	8							
19	1	119802-11870	PROTECTOR, NOZZLE	4							
20	1	119625-11880	SEAT, NOZZLE	4							
21	1	129004-11900	RETAINER, NOZZLE	4							
22	1	22351-060012	PIN, SPRING 6.0X12	2							
23	1	120270-54410	WASHER, INJECTOR	4							
24	1	26106-080352	BOLT, M8X 35 PLATED	4							
25	1	129601-11241	SHAFT ASSY, ROCKER	1							
26	2	119802-11260	SUPPORT, ROCKER ARM	2							
27	2	119802-11270	SUPPORT, ROCKER ARM	3							
28	2	129150-11280	SPRING	4							
29	2	129601-11251	SHAFT, ROCKER ARM	1							
31	2	129004-11650	ARM, ROCKER	8							
32	3	129150-11230	SCREW, VALVE ADJUST	8							
34	3	129150-11750	NUT, M8	8							
35	2	26226-080182	STUD, M8X 18	3							
36	1	26106-080252	BOLT, M8X 25 PLATED	3							
37	1	26106-080502	BOLT, M8X 50 PLATED	7							
38	1	129601-11350	BONNET ASSY, HEAD	1							
39	2	129004-03010	PLATE	1							
40	2	129150-03070	BAFFLE, BREATHER	1							
41	2	119802-03110	PLATE	1							
42	2	119802-03121	COVER, DIAPHRAGM	1							
43	2	119802-03130	DIAPHRAGM	1							
44	2	119802-03141	SPRING, DIAPHRAGM	1							
47	2	129601-11310	GASKET, BONNET	1							
48	2	22857-500100	SCREW, 5X10	4							
49	2	22857-500100	SCREW, 5X10	4							
50	1	124160-01751	COVER, FILLER	1							
51	1	24311-000320	O-RING, 1AP32.0	1							
52	1	124160-11360	KNOB	3							
53	1	24311-000120	O-RING, 1AP12.0	3							
54	1	129900-07900	LIFTER	2							
55	1	26106-080162	BOLT, M8X 16 PLATED	4							
56	1	977770-1207F	GASKET, LIQUID	1							2

N:Old  $\frac{100}{100}$  New, Q:Old  $\frac{100}{100}$  New, R:Old  $\frac{100}{100}$  New, S:Old  $\frac{100}{100}$  New, W:Add, Z:Discontinued, F:Interchangeable by set, K:Q'ty Change  
Copyright (C) YANMAR CO., LTD. All Rights Reserved.



OCW10-M08100

Fig.5. SUCTION MANIFOLD

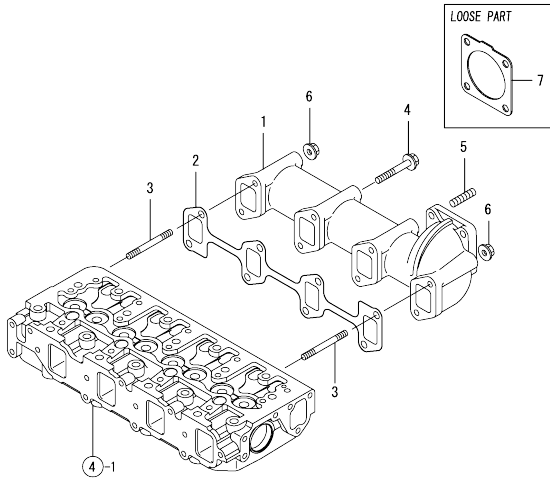


No.	Lev.	Parts No.	Description	Q'ty						I	R
				(A)	(B)	(C)	(D)	(E)	(F)		
1	1	129005-03080	PIPE, BREATHER	1							
2	2	129410-03990	CLAMP 22	2							
3	1	129602-12100	MANIFOLD, AIR INTAKE	1							
5	1	129407-12110	GASKET, MANIFOLD	1							
6	1	26106-080202	BOLT, M8X 20 PLATED	6							
7	1	26106-080802	BOLT, M8X 80 PLATED	1							
8	1	129100-77500	HEATER, AIR 12V	1							
9	1	129100-77510	GASKET, AIR HEATER	1							
10	1	129150-77511	GASKET	1							
11	1	171340-77520	BEND	1							
12	1	26106-080402	BOLT, M8X 40 PLATED	2							
13	1	26106-080802	BOLT, M8X 80 PLATED	2							

N:Old  $\frac{100}{100}$  New, Q:Old  $\frac{100}{100}$  New, R:Old  $\frac{100}{100}$  New, S:Old  $\frac{100}{100}$  New, W:Add, Z:Discontinued, F:Interchangeable by set, K:Q'ty Change  
 Copyright (C) YANMAR CO., LTD. All Rights Reserved.

OCW10-M08100

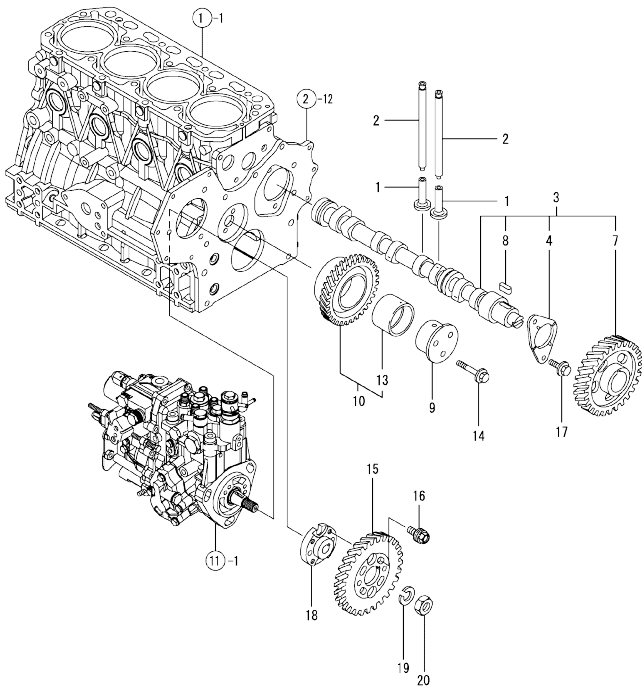
Fig.6. EXHAUST MANIFOLD



No.	Lev.	Parts No.	Description	Q'ty					
				(A)	(B)	(C)	(D)	(E)	(F)
1	1	129400-13101	MANIFOLD, EXHAUST	1					
2	1	129550-13110	GASKET	1					
3	1	123900-13610	STUD, M8X80	2					
4	1	123900-13630	BOLT, M8X80	6					
5	1	119131-18320	STUD, M8X22	4					
6	1	26306-080002	NUT, M8	2					
7	1	129930-13201	GASKET, SILENCER	1					

0CW10-M08100

Fig.7. CAMSHAFT & DRIVING GEAR



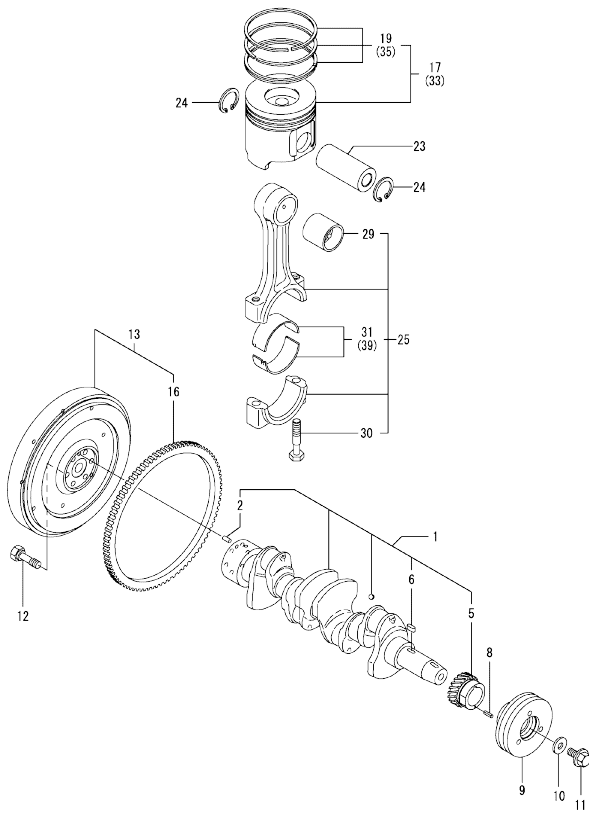
No.	Lev.	Parts No.	Description	Q'ty						I	R
				(A)	(B)	(C)	(D)	(E)	(F)		
1	1	129150-14200	TAPPET	8							
2	1	129150-14400	ROD, PUSH L=178	8							
3	1	729601-14580	CAMSHAFT ASSY	1							
4	2	129150-02450	BEARING, THRUST	1							
7	2	129150-14101	GEAR, CAMSHAFT	1							
8	2	22512-070140	KEY, 7X 14	1							
9	1	119802-25051	SHAFT, IDLE	1							
10	1	119802-25100	GEAR ASSY, IDLE	1							
13	2	119802-25070	BUSH, IDLE GEAR	1							1
14	1	26106-080402	BOLT, M8X 40 PLATED	3							
15	1	119802-25901	GEAR, PUMP	1							
16	1	129150-25301	BOLT	4							
17	1	26106-080142	BOLT, M8X 14 PLATED	2							
18	1	158552-51151	FLANGE	1							
19	1	22217-140000	WASHER, SPRING 14	1							
20	1	26776-140002	NUT, LOCK M14	1							

Remarks  
(1) REPAIR PART.

N:Old  $\frac{100}{100}$  New, Q:Old  $\frac{100}{100}$  New, R:Old  $\frac{100}{100}$  New, S:Old  $\frac{100}{100}$  New, W:Add, Z:Discontinued, F:Interchangeable by set, K:Q'ty Change  
Copyright (C) YANMAR CO., LTD. All Rights Reserved.

OCW10-M08100

Fig.8. CRANKSHAFT & PISTON

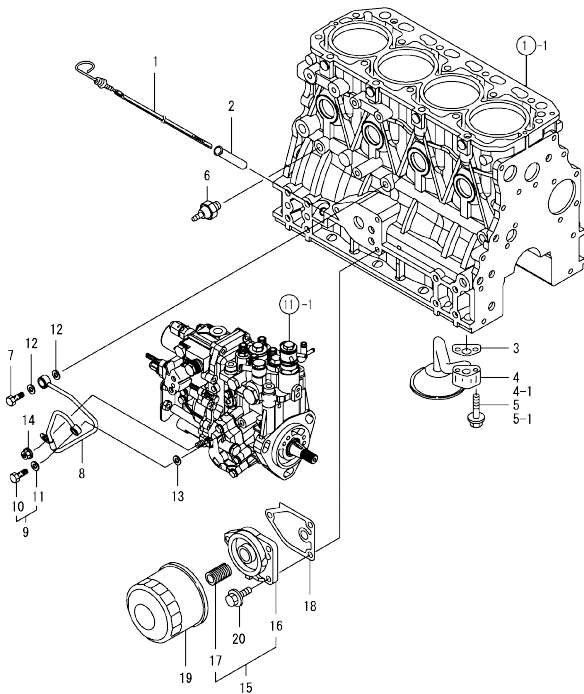


No.	Lev.	Parts No.	Description	Q'ty						I	R
				(A)	(B)	(C)	(D)	(E)	(F)		
1	1	129601-21002	CRANKSHAFT ASSY	1							
2	2	129100-01580	PIN, M8X16	1							
5	2	119802-21202	GEAR, CRANKSHAFT	1							
6	2	22512-070140	KEY, 7X 14	1							
8	1	22351-030010	PIN, SPRING 3.0X10	1							
9	1	119802-21660	V-PULLEY, 120	1							
10	1	129795-21661	WASHER	1							
11	1	121850-21680	BOLT	1							
12	1	121111-21501	BOLT, FLYWHEEL	6							
13	1	171420-21580	FLYWHEEL ASSY	1							
16	2	119865-21600	GEAR, RING	1							
17	1	129005-22080	PISTON ASSY	4							
19	2	129005-22500	RING SET, PISTON	4							
23	1	129202-22300	PIN, PISTON D26 L70	4							
24	1	22252-000260	RING, 26	8							
25	1	729402-23100	ROD ASSY, CONNECTING	4							
29	2	129100-23910	BEARING, PISTON PIN	4							1
30	2	121550-23200	BOLT, CONNECTING ROD	8							
31	2	129150-23600	BEARING, CRANK PIN	4							
33	1	129005-22900	PISTON ASSY, 0.25 OS	4							2
35	2	129005-22950	RING SET, 0.25 OS	4							2
39	1	129150-23610	BEARING, 0.25 US	4							3

Remarks  
 (1) REPAIR PART.  
 (2) OVER-SIZE(O.S=0.25)PART.  
 (3) UNDER-SIZE(U.S=0.25)PART.

N:Old  $\frac{100}{100}$  New, Q:Old  $\frac{100}{100}$  New, R:Old  $\frac{100}{100}$  New, S:Old  $\frac{100}{100}$  New, W:Add, Z:Discontinued, F:Interchangeable by set, K:Q'ty Change  
 Copyright (C) YANMAR CO., LTD. All Rights Reserved.

Fig.9. LUB.OIL SYSTEM

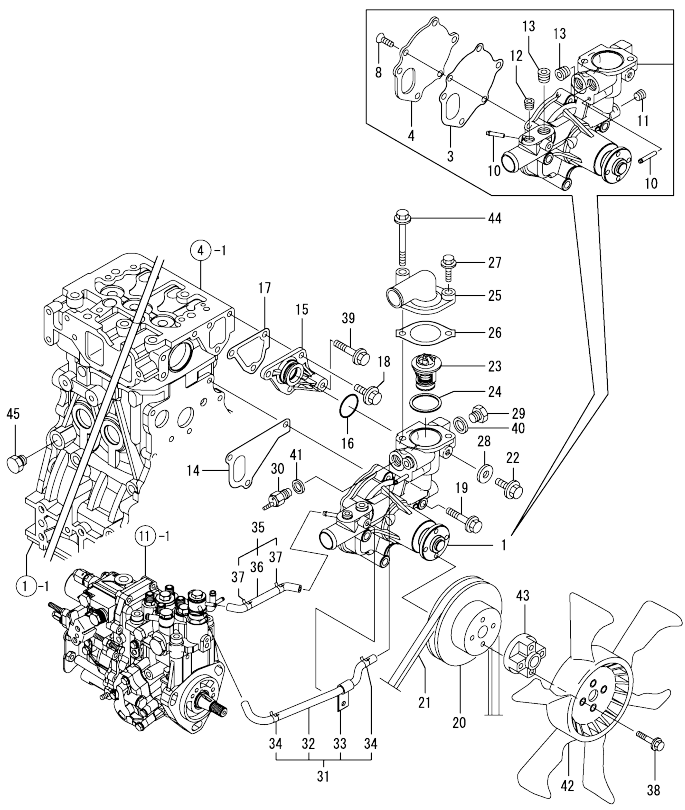


No.	Lev.	Parts No.	Description	Q'ty						I	R
				(A)	(B)	(C)	(D)	(E)	(F)		
1	1	129004-34802	DIPSTICK, OIL	1							
2	1	121520-34810	GUIDE, DIPSTICK	1							
3	1	129150-35042	GASKET	1							
4	1	129436-35091	PIPE ASSY, OIL INLET	1							
4-1	1	129436-35070	PIPE ASSY, LUB. OIL	1							S
(A=EZZZZZ)											
5	1	26106-080352	BOLT, M8X 35 PLATED	2							
5-1	1	26106-080552	BOLT, M8X 55 PLATED	2							S
(A=EZZZZZ)											
6	1	114250-39450	SWITCH, 0.5KG	1							
7	1	124160-39140	BOLT, PIPE JOINT M10	1							
8	1	119802-39450	PIPE ASSY, OIL	1							
9	1	129005-59830	BOLT ASSY, JOINT M8	1							
10	2	23857-030000	BOLT, JOINT 3	1							
11	2	22190-080002	WASHER, SEAL 6	1							
12	1	22190-100002	WASHER, SEAL 10	2							
13	1	22190-080002	WASHER, SEAL 6	1							
14	1	26368-060002	NUT, M6	1							
15	1	119802-35100	BRACKET ASSY, FILTER	1							
16	2	119802-35110	BRACKET, FILTER	1							
17	2	129100-35140	STUD	1							
18	1	129150-35111	GASKET	1							
19	1	129150-35153	FILTER 80X80L	1							1
20	1	26106-080202	BOLT, M8X 20 PLATED	3							

Remarks  
(1) REPAIR PART.

N:Old  $\frac{New}{Old}$  New, Q:Old  $\frac{New}{Old}$  New, R:Old  $\frac{New}{Old}$  New, S:Old  $\frac{New}{Old}$  New, W:Add, Z:Discontinued, F:Interchangeable by set, K:Q'ty Change  
Copyright (C) YANMAR CO., LTD. All Rights Reserved.

Fig.10. COOLING WATER SYSTEM

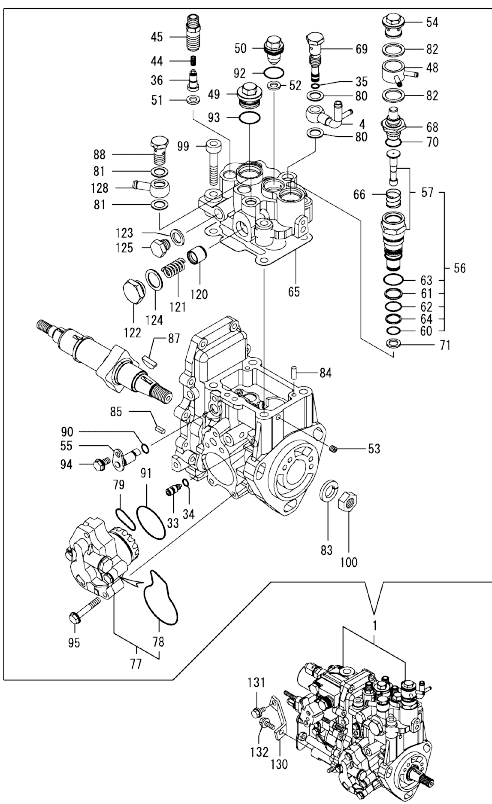


No.	Lev.	Parts No.	Description	Q'ty						I	R
				(A)	(B)	(C)	(D)	(E)	(F)		
1	1	129004-42001	PUMP ASSY, WATER	1							
3	2	129100-42051	GASKET, WATER PUMP	1							
4	2	129100-42121	PLATE	1							
8	2	121850-42410	SCREW	3							
10	2	119802-49113	JOINT, PIPE	2							
11	2	23876-010000	PLUG, R01	1							
12	2	23876-020000	PLUG, R02	1							
13	2	129916-49740	PLUG, R03	2							
14	1	129486-42021	GASKET, WATER PUMP	1							
15	1	129004-42040	JOINT	1							
16	1	129486-42140	O-RING, G30	1							
17	1	124395-49840	GASKET	1							
18	1	26106-080162	BOLT, M8X 16 PLATED	3							
19	1	26106-080602	BOLT, M8X 60 PLATED	3							
20	1	129155-42350	V-PULLEY	1							
21	1	119831-42290	V-BELT, A37.5	1							
22	1	26106-080122	BOLT, M8X 12 PLATED	1							
23	1	129155-49801	THERMOSTAT, 71	1							
24	1	129150-49811	GASKET, THERMOSTAT	1							
25	1	124101-49531	COVER, THERMOSTAT	1							
26	1	129795-49551	GASKET	1							
27	1	26106-080252	BOLT, M8X 25 PLATED	1							
28	1	23414-080000	GASKET, 8X1.0	1							
29	1	121450-42450	PLUG, M16	1							
30	1	121250-44901	SWITCH, 110	1							
31	1	129004-49610	PIPE ASSY, WATER	1							
32	2	129004-49711	PIPE ASSY, WATER	1							
33	2	119802-49730	RETAINER, PIPE	1							
34	2	124722-59050	CLIP, HOSE 9	2							
35	1	129004-49620	PIPE ASSY, WATER	1							
36	2	129004-49721	PIPE ASSY, WATER	1							
37	2	124722-59050	CLIP, HOSE 9	2							
38	1	26106-060302	BOLT, M6X 30 PLATED	4							
39	1	26106-080452	BOLT, M8X 45 PLATED	1							
40	1	124465-44950	GASKET, 16	1							
41	1	124465-44950	GASKET, 16	1							
42	1	129612-44700	FAN, COOLING	1							
43	1	121267-44760	SPACER	1							
44	1	26106-080652	BOLT, M8X 65 PLATED	1							
45	1	171056-49120	PLUG, DRAIN	1							

N:Old  $\frac{100}{100}$  New, Q:Old  $\frac{100}{100}$  New, R:Old  $\frac{100}{100}$  New, S:Old  $\frac{100}{100}$  New, W:Add, Z:Discontinued, F:Interchangeable by set, K:Qty Change  
 Copyright (C) YANMAR CO., LTD. All Rights Reserved.

OCW10-M08100

Fig.11. FUEL INJECTION PUMP



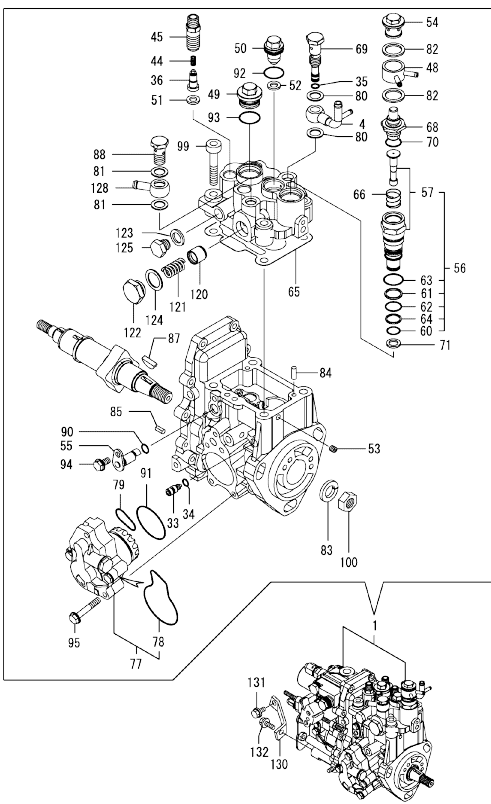
Remarks  
 (1) GOVERNOR ASSY(FIG.12) IS  
 INCORPORATED IN THIS FOP.CMP  
 (REF.NO.1).

No.	Lev.	Parts No.	Description	Q'ty						I	R
				(A)	(B)	(C)	(D)	(E)	(F)		
1	1	729647-51390	PUMP ASSY, INJECTION	1							1
4	2	158552-51670	JOINT, OVER FLOW	1							
33	2	158600-51270	STOPPER, TAPPET	1							
34	2	158563-51281	O-RING, 4D S6	1							
35	2	158563-51281	O-RING, 4D S6	1							
36	2	158560-51300	VALVE ASSY, DELIVERY	4							
44	2	158563-51330	SPRING, DELIVERY	4							
45	2	158601-51340	HOLDER, DELIVERY	4							
48	2	158553-51551	JOINT	1							
49	2	158601-51550	PLUG	1							
50	2	119802-51560	PLUG, BARREL	1							
51	2	158552-51570	GASKET	4							
52	2	158552-51570	GASKET	1							
53	2	158557-51570	PLUG	1							
54	2	158601-51570	PLUG	1							
55	2	158552-51580	LIFTER	1							
56	2	119802-51590	TIMER SET	1							
57	3	119802-51600	TIMER ASSY	1							
60	3	158553-51670	O-RING, 1011	1							
61	3	119802-51680	RING, BACK UP	1							
62	3	119802-51690	O-RING	1							
63	3	24356-010200	O-RING, 4D1020	1							
64	3	24372-000150	RING, BACK UP T2P15	1							
65	2	158552-51600	GASKET	1							
66	2	158553-51630	SPRING, TIMER	1							
68	2	158553-51640	ELEMENT	1							
69	2	158601-51650	JOINT, OVER FLOW	1							
70	2	158553-51660	O-RING, P14	1							
71	2	158553-51680	GASKET	1							
77	2	158552-52100	PUMP ASSY, FUEL FEED	1							
78	3	158552-52500	O-RING	1							
79	2	158552-52310	O-RING	1							
80	2	22190-120002	WASHER, SEAL 12	2							
81	2	22190-120002	WASHER, SEAL 12	2							
82	2	22190-180002	WASHER, SEAL 18	2							
83	2	22217-140000	WASHER, SPRING 14	1							
84	2	22312-050140	PIN, PARALLEL M5X14	2							
85	2	22351-050010	PIN, SPRING 5.0X10	2							
87	2	119802-51090	KEY, 4X16	1							
88	2	23857-060000	BOLT, JOINT 6	1							
90	2	24311-000070	O-RING, 1AP7.0	1							
91	2	158552-52400	O-RING, 4E S42	1							
92	2	24356-010180	O-RING, 4D1018	1							
93	2	24356-010200	O-RING, 4D1020	1							
94	2	26106-060102	BOLT, M6X 10 PLATED	1							
95	2	158553-51770	BOLT	4							
99	2	26450-080452	BOLT, M8X 45	4							
100	2	26776-140002	NUT, LOCK M14	1							
120	2	158601-51770	PISTON	1							
121	2	158552-51780	SPRING	1							
122	2	158601-51790	PLUG	1							

N:Old  $\frac{New}{Old}$  New, Q:Old  $\frac{New}{Old}$  New, R:Old  $\frac{New}{Old}$  New, S:Old  $\frac{New}{Old}$  New, W:Add, Z:Discontinued, F:Interchangeable by set, K:Q'ty Change  
 ++ CONTINUE ++  
 Copyright (C) YANMAR CO., LTD. All Rights Reserved.

OCW10-M08100

Fig.11. FUEL INJECTION PUMP



No.	Lev.	Parts No.	Description	Q'ty						I	R
				(A)	(B)	(C)	(D)	(E)	(F)		
123	2	22190-120002	WASHER, SEAL 12	1							
124	2	22190-180002	WASHER, SEAL 18	1							
125	2	23887-120002	PLUG, 12	1							
128	2	129916-59020	JOINT, PIPE 12	1							
130	1	129601-51250	RETAINER, PUMP	1							
131	1	26106-080162	BOLT, M8X 16 PLATED	1							
132	1	26106-080202	BOLT, M8X 20 PLATED	1							

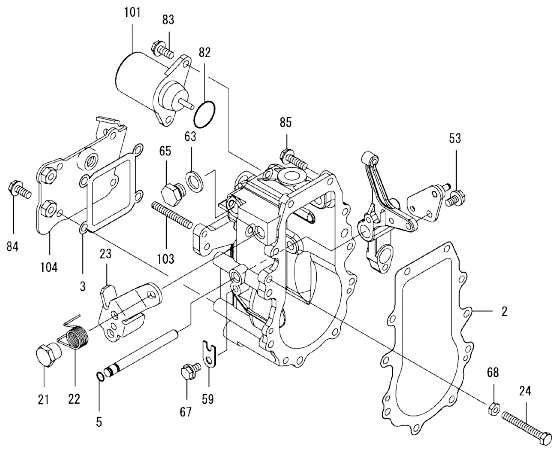
Remarks  
 (1) GOVERNOR ASSY(FIG.12) IS  
 INCORPORATED IN THIS FOP.CMP  
 (REF.NO.1).

N:Old  $\frac{New}{Old}$  New, Q:Old  $\frac{New}{Old}$  New, R:Old  $\frac{New}{Old}$  New, S:Old  $\frac{New}{Old}$  New, W:Add, Z:Discontinued, F:Interchangeable by set, K:Q'ty Change  
 Copyright (C) YANMAR CO., LTD. All Rights Reserved.



OCW10-M08100

Fig.12. GOVERNOR

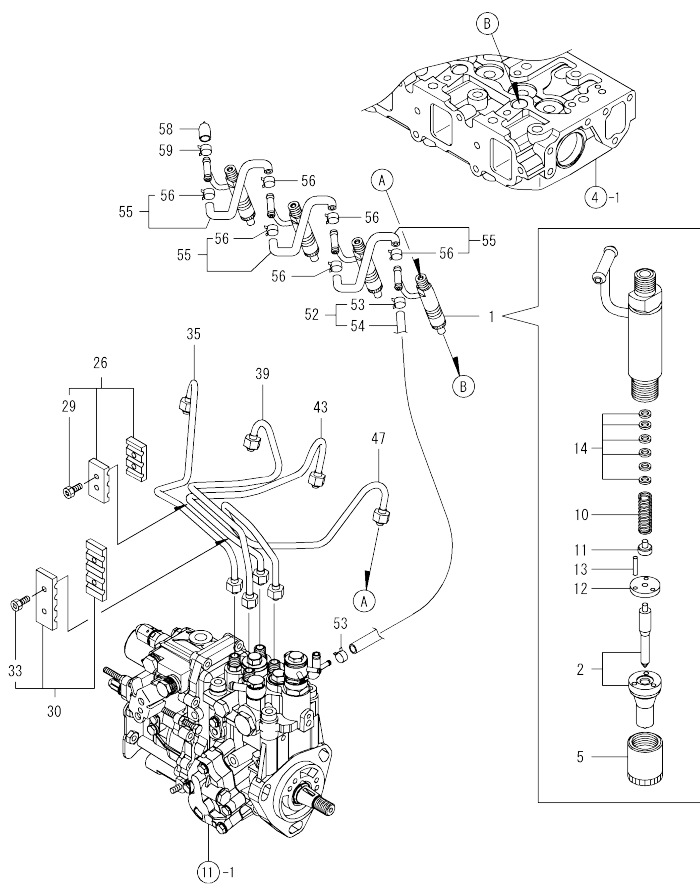


No.	Lev.	Parts No.	Description	Q'ty						I	R
				(A)	(B)	(C)	(D)	(E)	(F)		
2	2	158553-61050	GASKET	1							
3	2	158553-61070	GASKET	1							
5	2	129155-51280	O-RING, S6	1							
21	2	129255-61410	NUT, LOCK	1							
22	2	119807-61420	SPRING, RETURN	1							
23	2	129246-61441	LEVER, REGULATOR	1							
24	2	129155-61460	BOLT, IDLE	1							
53	2	26106-060102	BOLT, M6X 10 PLATED	1							
59	2	119660-61901	RETAINER, SHAFT	1							
63	2	22190-120000	WASHER, SEAL 12	1							
65	2	23887-120002	PLUG, 12	1							
67	2	26106-060102	BOLT, M6X 10 PLATED	1							
68	2	26756-060002	NUT, LOCK M6	1							
82	2	24341-000280	O-RING, 1AS28.0	1							
82-1	2	158552-61900	O-RING	1							N
(A=EXXXXX)											
83	2	26106-060142	BOLT, M6X 14 PLATED	2							
84	2	26106-060142	BOLT, M6X 14 PLATED	4							
85	2	26106-060202	BOLT, M6X 20 PLATED	10							
101	2	119653-77950	SOLENOID, STOP	1							
103	2	171002-66830	SCREW	1							
104	2	129246-61061	COVER, GOVERNOR CASE	1							

Remarks  
 \* THIS FIGURE(GOVERNOR ASSY)IS  
 INCORPORATED IN THE FUEL INJECTION  
 PUMP ASSY(FIG.11).

N:Old  $\frac{100}{100}$  New, Q:Old  $\frac{100}{100}$  New, R:Old  $\frac{100}{100}$  New, S:Old  $\frac{100}{100}$  New, W:Add, Z:Discontinued, F:Interchangeable by set, K:Q'ty Change  
 Copyright (C) YANMAR CO., LTD. All Rights Reserved.

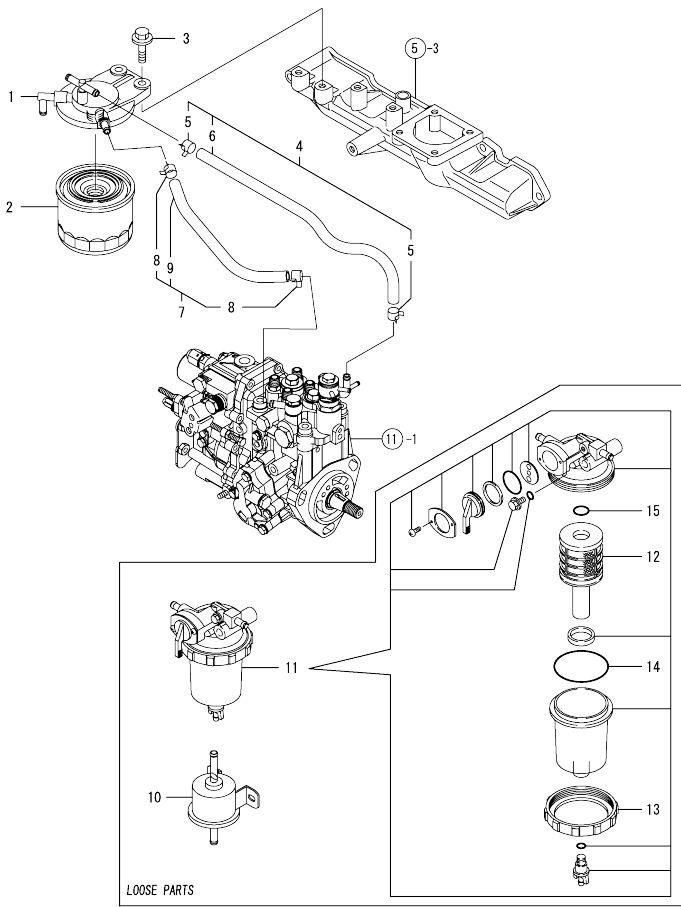
Fig.13. FUEL INJECTION VALVE



No.	Lev.	Parts No.	Description	Q'ty						I	R
				(A)	(B)	(C)	(D)	(E)	(F)		
1	1	729246-53101	VALVE ASSY,INJECTION	4							
2	2	129246-53001	VALVE ASSY,INJECTION	4							
5	2	114250-53080	NUT, NOZZLE D16.95	4							
10	2	114250-53120	SPRING, NOZZLE	4							
11	2	114250-53130	SEAT, SPRING	4							
12	2	114250-53140	PLATE	4							
13	2	114250-53210	PIN	8							
14	2	114250-53400	SHIM SET	4							
26	1	129150-59120	RETAINER, PIPE	1							
29	2	129150-59131	BOLT, M4X14	2							
30	1	129550-59120	RETAINER, PIPE	1							
33	2	129150-59131	BOLT, M4X14	2							
35	1	129601-59810	PIPE ASSY, INJECTION	1							
39	1	129601-59820	PIPE ASSY, INJECTION	1							
43	1	129601-59830	PIPE ASSY, INJECTION	1							
47	1	129601-59840	PIPE ASSY, INJECTION	1							
52	1	119802-59550	PIPE ASSY, RETURN	1							
53	2	124722-59050	CLIP, HOSE 9	2							
54	2	119802-59560	PIPE, FUEL RETURN	1							
55	1	129486-59551	PIPE ASSY, RETURN	3							
56	2	124722-59050	CLIP, HOSE 9	6							
58	1	119593-59581	CAP	1							
59	1	124060-77680	CLIP, HOSE 10	1							

OCW10-M08100

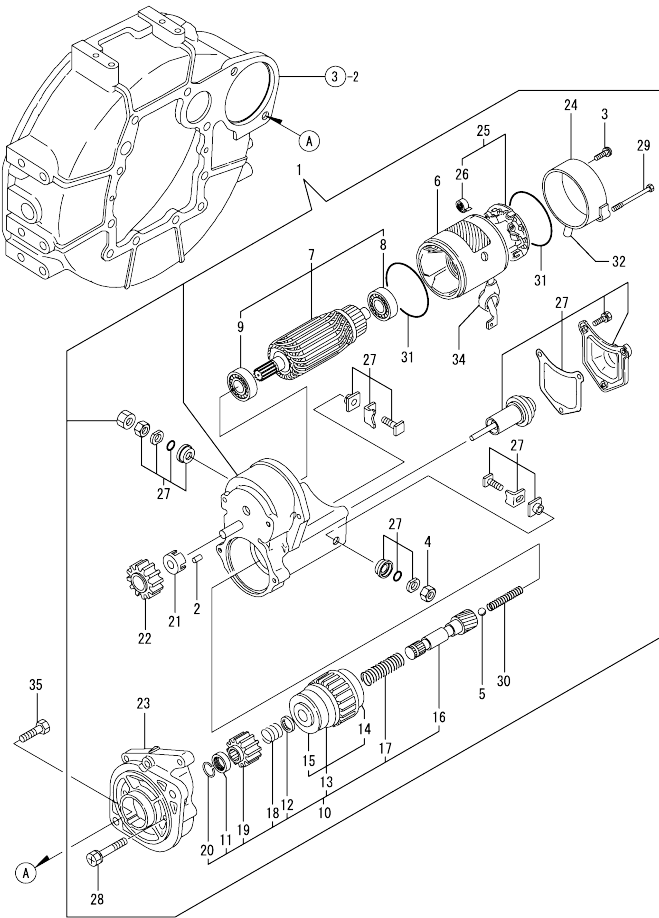
Fig.14. FUEL LINE



No.	Lev.	Parts No.	Description	Q'ty					
				(A)	(B)	(C)	(D)	(E)	(F)
1	1	129004-55611	BRACKET, FILTER	1					
2	1	119802-55800	FILTER, FUEL	1					
3	1	26106-080302	BOLT, M8X 30 PLATED	2					
4	1	129210-59150	PIPE ASSY, FUEL	1					
5	2	124766-59050	CLIP, HOSE 12	2					
6	2	105025-59530	PIPE, FUEL D13X400	1					
7	1	129210-59090	PIPE ASSY, FUEL	1					
8	2	124766-59050	CLIP, HOSE 12	2					
9	2	105325-59570	PIPE, FUEL	1					
10	1	119225-52102	PUMP ASSY, FUEL FEED	1					
11	1	119802-55700	SEPARATOR ASSY	1					
12	2	119802-55710	ELEMENT	1					
13	2	129100-55690	RING, RETAINING	1					
14	2	24321-000650	O-RING, 1AG65.0	1					
15	2	24311-000160	O-RING, 1AP16.0	1					

N:Old  $\frac{100}{100}$  New, Q:Old  $\frac{100}{100}$  New, R:Old  $\frac{100}{100}$  New, S:Old  $\frac{100}{100}$  New, W:Add, Z:Discontinued, F:Interchangeable by set, K:Q'ty Change  
 Copyright (C) YANMAR CO., LTD. All Rights Reserved.

Fig.15. STARTING MOTOR

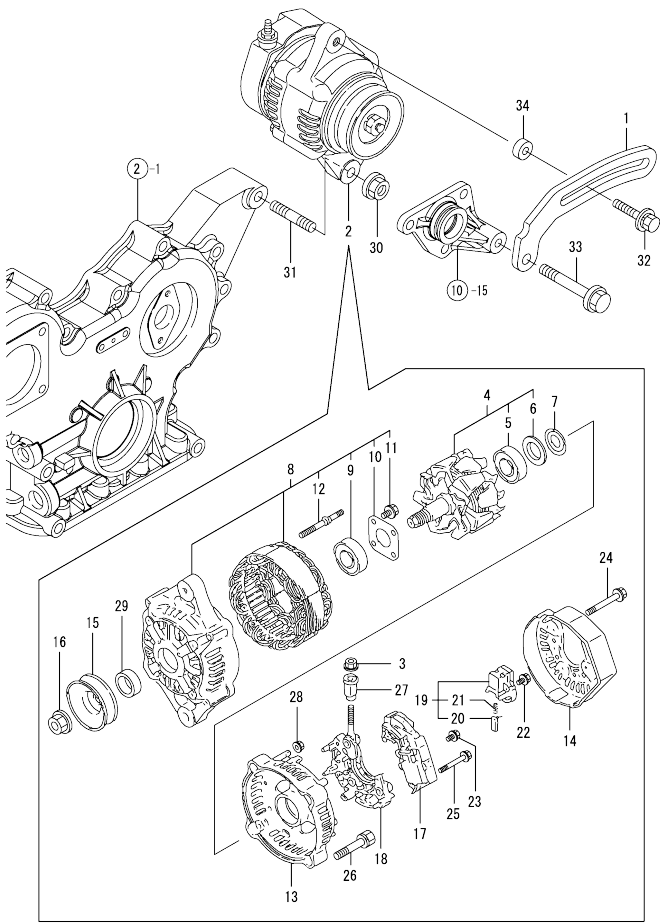


No.	Lev.	Parts No.	Description	Q'ty						I	R
				(A)	(B)	(C)	(D)	(E)	(F)		
1	1	129407-77010	STARTER, RA1.4	1							
2	2	X0283060061	ROLLER	5							
3	2	129129-77460	SCREW	2							
4	2	X9490561370	NUT	1							
5	2	X9491200240	BALL	1							
6	2	129407-77210	YOKE ASSY	1							
7	2	129407-77220	ARMATURE ASSY	1							
8	3	129129-77230	BEARING	1							
9	3	129129-77240	BEARING	1							
10	2	129407-77250	STARTER	1							
11	3	X0280210230	NUT	1							
12	3	X0283270140	RETAINER	1							
13	3	129407-77390	CLUTCH ASSY	1							
14	4	129129-77440	BEARING	1							
15	4	129129-77450	BEARING	1							
16	3	129129-77400	SHAFT	1							
17	3	129129-77410	SPRING, COIL	1							
18	3	129407-77410	SPRING	1							
19	3	129129-77420	PINION	1							
20	3	129129-77430	RING	1							
21	2	129129-77260	RETAINER	1							
22	2	129129-77270	PINION	1							
23	2	129407-77280	HOUSING	1							
24	2	129407-77290	FRAME	1							
25	2	129407-77300	HOLDER ASSY	1							
26	3	X9491730461	SPRING	4							
27	2	129407-77310	SWITCH ASSY	1							
28	2	129129-77320	BOLT	2							
29	2	129407-77330	BOLT	2							
30	2	129129-77340	SPRING	1							
31	2	129129-77350	O-RING	2							
32	2	129129-77362	COVER	1							
34	2	129129-77380	CAP	1							
35	1	26116-120252	BOLT, M12X 25 PLATED	2							

N:Old  $\frac{100}{100}$  New, Q:Old  $\frac{100}{100}$  New, R:Old  $\frac{100}{100}$  New, S:Old  $\frac{100}{100}$  New, W:Add, Z:Discontinued, F:Interchangeable by set, K:Q'ty Change  
 Copyright (C) YANMAR CO., LTD. All Rights Reserved.

OCW10-M08100

Fig.16. GENERATOR

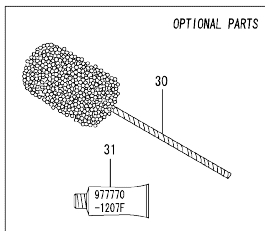
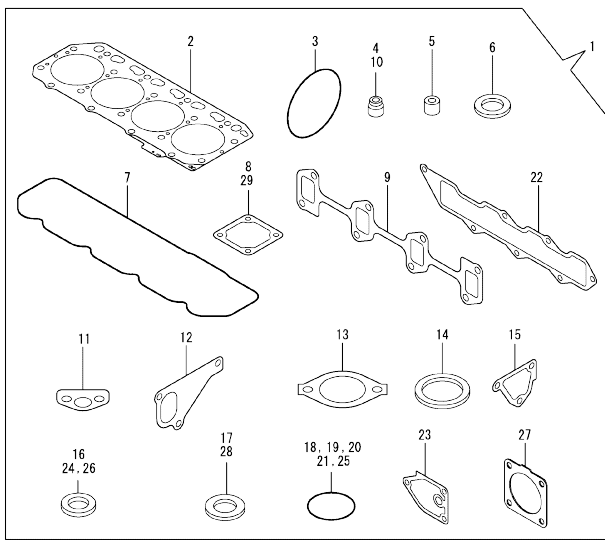


No.	Lev.	Parts No.	Description	Q'ty					
				(A)	(B)	(C)	(D)	(E)	(F)
1	1	119940-77330	ADJUSTER	1					
2	1	129423-77200	GENERATOR, 12V-40A	1					
3	2	X9490561001	NUT	1					
4	2	119620-77380	ROTOR ASSY	1					
5	3	123501-79240	BEARING, BALL	1					
6	3	119620-79250	COVER, BEARING	1					
7	2	119620-79360	WASHER, THRUST	1					
8	2	119620-77421	FRAME ASSY, DRIVE	1					
9	3	119620-79200	BALL BEARING	1					
10	3	119620-79210	PLATE	1					
11	3	119620-79220	SCREW	4					
12	3	119620-79230	BOLT, STUD	2					
13	2	119620-77440	FLAME ASSY, REAR	1					
14	2	129240-79300	COVER	1					
15	2	119620-77461	PULLEY	1					
16	2	119620-77471	NUT	1					
17	2	129423-77710	REGULATOR ASSY	1					
18	2	119620-79260	HOLDER	1					
19	2	129052-79270	HOLDER, BRUSH	1					
20	3	119620-77480	BRUSH ASSY	2					
21	3	119620-79280	SPRING	2					
22	2	119620-79290	SCREW	6					
23	2	119620-79300	SCREW	1					
24	2	119620-79310	BOLT	3					
25	2	119620-79320	SCREW W/WASHER	2					
26	2	119620-79330	BOLT	2					
27	2	119620-79340	INSULATION BUSH	1					
28	2	119620-79350	NUT	2					
29	2	119620-77490	COLLAR	1					
30	1	26306-100002	NUT, M10	1					
31	1	129795-01900	STUD	1					
32	1	129972-77341	BOLT, ADJUSTER L=50	1					
33	1	26106-080452	BOLT, M8X 45 PLATED	1					
34	1	119940-77270	SPACER, GENERATOR	1					

N:Old  $\frac{100}{100}$  New, Q:Old  $\frac{100}{100}$  New, R:Old  $\frac{100}{100}$  New, S:Old  $\frac{100}{100}$  New, W:Add, Z:Discontinued, F:Interchangeable by set, K:Q'ty Change  
 Copyright (C) YANMAR CO., LTD. All Rights Reserved.

OCW10-M08100

Fig.17. GASKET SET



Remarks  
(1) OPTIONAL PARTS.

No.	Lev.	Parts No.	Description	Q'ty						I	R
				(A)	(B)	(C)	(D)	(E)	(F)		
1	1	729150-92740	GASKET SET	1							1
2	2	129407-01340	GASKET, HEAD	1							
3	2	121850-51960	O-RING	1							
4	2	124460-11340	SEAL, VALVE STEM	4							
5	2	119802-11870	PROTECTOR, NOZZLE	4							
6	2	119625-11880	SEAT, NOZZLE	4							
7	2	129601-11310	GASKET, BONNET	1							
8	2	129150-77511	GASKET	1							
9	2	129550-13110	GASKET	1							
10	2	121400-11340	SEAL, VALVE STEM	4							
11	2	129150-35042	GASKET	1							
12	2	129486-42021	GASKET, WATER PUMP	1							
13	2	129795-49551	GASKET	1							
14	2	129150-49811	GASKET, THERMOSTAT	1							
15	2	124395-49840	GASKET	1							
16	2	22190-080002	WASHER, SEAL 6	2							
17	2	124465-44950	GASKET, 16	2							
18	2	24311-000120	O-RING, 1AP12.0	3							
19	2	24311-000320	O-RING, 1AP32.0	2							
20	2	24341-000240	O-RING, 1AS24.0	1							
21	2	129486-42140	O-RING, G30	1							
22	2	129407-12110	GASKET, MANIFOLD	1							
23	2	129150-35111	GASKET	1							
24	2	22190-220002	WASHER, SEAL 22	1							
25	2	119609-32040	O-RING, P16	4							
26	2	22190-100002	WASHER, SEAL 10	2							
27	2	129930-13201	GASKET, SILENCER	1							
28	2	23414-080000	GASKET, 8X1.0	1							
29	2	129100-77510	GASKET, AIR HEATER	1							
30	1	129400-92430	HONE	1							1
31	1	977770-1207F	GASKET, LIQUID	1							1

N:Old  $\frac{100}{100}$  New, Q:Old  $\frac{100}{100}$  New, R:Old  $\frac{100}{100}$  New, S:Old  $\frac{100}{100}$  New, W:Add, Z:Discontinued, F:Interchangeable by set, K:Qty Change  
Copyright (C) YANMAR CO., LTD. All Rights Reserved.

## Parts No. Index

Parts No.	Fig. No.	Ref. No.
105025-59530	14	6
105325-59570	14	9
114250-39450	9	6
114250-53080	13	5
114250-53120	13	10
114250-53130	13	11
114250-53140	13	12
114250-53210	13	13
114250-53400	13	14
119131-18320	6	5
119225-52102	14	10
119593-59581	13	58
119609-32040	2	17
	17	25
119620-01750	3	3
119620-77380	16	4
119620-77421	16	8
119620-77440	16	13
119620-77461	16	15
119620-77471	16	16
119620-77480	16	20
119620-77490	16	29
119620-79200	16	9
119620-79210	16	10
119620-79220	16	11
119620-79230	16	12
119620-79250	16	6
119620-79260	16	18
119620-79280	16	21
119620-79290	16	22
119620-79300	16	23
119620-79310	16	24
119620-79320	16	25
119620-79330	16	26
119620-79340	16	27
119620-79350	16	28
119620-79360	16	7
119625-11880	4	20
	17	6
119640-01640	3	9
119653-77950	12	101
119660-61901	12	59
119802-01520	2	12
119802-01561	2	13
119802-03110	4	41
119802-03121	4	42
119802-03130	4	43
119802-03141	4	44
119802-11260	4	26
119802-11270	4	27

Parts No.	Fig. No.	Ref. No.
119802-11870	4	19
	17	5
119802-21202	8	5
119802-21660	8	9
119802-25051	7	9
119802-25070	7	13
119802-25100	7	10
119802-25901	7	15
119802-32070	2	8
119802-32100	2	7
119802-32111	2	18
119802-32120	2	19
119802-32130	2	20
119802-35100	9	15
119802-35110	9	16
119802-39450	9	8
119802-49113	10	10
119802-49730	10	33
119802-51090	11	87
119802-51560	11	50
119802-51590	11	56
119802-51600	11	57
119802-51680	11	61
119802-51690	11	62
119802-55700	14	11
119802-55710	14	12
119802-55800	14	2
119802-59550	13	52
119802-59560	13	54
119807-61420	12	22
119831-42290	10	21
119865-21600	8	16
119940-77270	16	34
119940-77330	16	1
120130-11860	4	5
120270-54410	4	23
121023-01551	2	28
121111-21501	8	12
121250-44901	10	30
121267-44760	10	43
121400-11340	4	16
	17	10
121450-42450	10	29
121520-34810	9	2
121550-23200	8	30
121850-21680	8	11
121850-42410	10	8
121850-51960	2	21
	17	3
123501-79240	16	5

Parts No.	Fig. No.	Ref. No.
123900-13610	6	3
123900-13630	6	4
124060-01050	1	10
124060-77680	13	59
124101-49531	10	25
124160-01751	2	14
	4	50
124160-01910	1	5
	15	
124160-11360	4	52
124160-39140	9	7
124240-01871	2	15
124395-49840	10	17
	17	15
124460-11340	4	17
	17	4
124465-44950	10	40
	41	
	17	17
124722-59050	10	34
	13	37
	53	
	56	
124766-59050	14	5
	8	
129001-01250	1	11
129001-02930	1	25
129001-32330	2	11
129001-91841	2	22
129004-01190	1	33
129004-03010	4	39
129004-11130	4	10
129004-11650	4	31
129004-11900	4	21
129004-34802	9	1
129004-42001	10	1
129004-42040	10	15
129004-49610	10	31
129004-49620	10	35
129004-49711	10	32
129004-49721	10	36
129004-55611	14	1
129005-03080	5	1
129005-22080	8	17
129005-22500	8	19
129005-22900	8	33
129005-22950	8	35
129005-59830	9	9
129052-79270	16	19
129100-01580	3	1

Parts No.	Fig. No.	Ref. No.
129100-01580	3	15
	8	2
129100-01640	3	16
129100-11112	4	11
129100-23910	8	29
129100-35140	9	17
129100-42051	10	3
129100-42121	10	4
129100-55690	14	13
129100-77500	5	8
129100-77510	5	9
	17	29
129129-77230	15	8
129129-77240	15	9
129129-77260	15	21
129129-77270	15	22
129129-77320	15	28
129129-77340	15	30
129129-77350	15	31
129129-77362	15	32
129129-77380	15	34
129129-77400	15	16
129129-77410	15	17
129129-77420	15	19
129129-77430	15	20
129129-77440	15	14
129129-77450	15	15
129129-77460	15	3
129150-01200	1	31
129150-02020	1	7
129150-02450	7	4
129150-02870	1	34
129150-02930	1	28
129150-02940	1	37
129150-03070	4	40
129150-11230	4	32
129150-11280	4	28
129150-11370	4	18
129150-11750	4	34
129150-11810	4	7
129150-14101	7	7
129150-14200	7	1
129150-14400	7	2
129150-23600	8	31
129150-23610	8	39
129150-25301	7	16
129150-35042	9	3
	17	11
129150-35111	9	18
	17	23

## Parts No. Index

Parts No.	Fig. No.	Ref. No.
129150-35153	9	19
129150-49811	10	24
	17	14
129150-59120	13	26
129150-59131	13	29
		33
129150-77511	5	10
	17	8
129155-42350	10	20
129155-49801	10	23
129155-51280	12	5
129155-61460	12	24
129202-22300	8	23
129210-59090	14	7
129210-59150	14	4
129240-79300	16	14
129246-53001	13	2
129246-61061	12	104
129246-61441	12	23
129255-61410	12	21
129400-01730	3	6
129400-01770	3	8
129400-13101	6	1
129400-92430	17	30
129407-01340	1	32
	17	2
129407-12110	5	5
	17	22
129407-77010	15	1
129407-77210	15	6
129407-77220	15	7
129407-77250	15	10
129407-77280	15	23
129407-77290	15	24
129407-77300	15	25
129407-77310	15	27
129407-77330	15	29
129407-77390	15	13
129407-77410	15	18
129410-03990	5	2
129418-32320	2	10
129423-77200	16	2
129423-77710	16	17
129436-35070	9	4 -1
129436-35091	9	4
129486-01670	3	19
129486-42021	10	14
	17	12
129486-42140	10	16
	17	21

Parts No.	Fig. No.	Ref. No.
129486-59551	13	55
129550-13110	6	2
	17	9
129550-59120	13	30
129601-11241	4	25
129601-11251	4	29
129601-11310	4	47
	17	7
129601-11350	4	38
129601-11700	4	1
129601-21002	8	1
129601-51250	11	130
129601-59810	13	35
129601-59820	13	39
129601-59830	13	43
129601-59840	13	47
129602-12100	5	3
129612-01600	3	2
129612-44700	10	42
129688-01780	3	8 -1
129795-01780	3	18
129795-01800	2	6
129795-01900	16	31
129795-01950	2	16
129795-02411	1	14
129795-11120	4	12
129795-11180	4	13
129795-21661	8	10
129795-49551	10	26
	17	13
129900-07900	4	54
129900-32130	2	9
129916-49740	10	13
129916-59020	11	128
129930-13201	6	7
	17	27
129972-77341	16	32
158552-51151	7	18
158552-51570	11	51
		52
158552-51580	11	55
158552-51600	11	65
158552-51670	11	4
158552-51780	11	121
158552-52100	11	77
158552-52310	11	79
158552-52400	11	91
158552-52500	11	78
158552-61900	12	82 -1
158553-51551	11	48

Parts No.	Fig. No.	Ref. No.
158553-51630	11	66
158553-51640	11	68
158553-51660	11	70
158553-51670	11	60
158553-51680	11	71
158553-51770	11	95
158553-61050	12	2
158553-61070	12	3
158557-51570	11	53
158560-51300	11	36
158563-51281	11	34
		35
158563-51330	11	44
158600-51270	11	33
158601-51340	11	45
158601-51550	11	49
158601-51570	11	54
158601-51650	11	69
158601-51770	11	120
158601-51790	11	122
171002-66830	12	103
171051-01921	1	6
171056-49120	10	45
171340-77520	5	11
171420-21580	8	13
22190-080002	9	11
	17	13
	17	16
22190-100002	9	12
	17	26
22190-120000	12	63
22190-120002	11	80
		81
		123
22190-180002	11	82
		124
22190-220002	3	11
	17	24
22217-140000	7	19
	11	83
22252-000260	8	24
22312-050140	11	84
22351-030010	8	8
22351-050010	11	85
22351-060012	4	22
22512-070140	7	8
	8	6
22857-500100	4	48
	4	49
23414-080000	10	28

Parts No.	Fig. No.	Ref. No.
23414-080000	17	28
23857-030000	9	10
23857-060000	11	88
23876-010000	10	11
23876-020000	10	12
23876-030000	2	4
23876-040000	2	5
23887-120002	11	125
	12	65
24311-000070	11	90
24311-000120	4	53
	17	18
24311-000160	14	15
24311-000320	2	23
	4	51
	17	19
24321-000650	14	14
24341-000240	2	29
	17	20
24341-000280	12	82
24356-010180	11	92
24356-010200	11	63
		93
24372-000150	11	64
26106-060102	11	94
	12	53
		67
26106-060142	12	83
		84
26106-060162	2	30
26106-060202	12	85
26106-060302	10	38
26106-080122	10	22
26106-080142	7	17
26106-080162	2	24
		25
		3
		4
		55
		10
		18
		11
		131
26106-080202	5	6
	9	20
	11	132
26106-080252	3	13
	4	36
	10	27
26106-080302	14	3
26106-080352	3	20
	4	24
	9	5



## Parts No. Index

Parts No.	Fig. No.	Ref. No.
26106-080402	5	12
	7	14
26106-080452	3	14
		14 -1
	10	39
	16	33
26106-080502	3	22
	4	37
26106-080552	2	26
	9	5 -1
26106-080602	10	19
26106-080652	10	44
26106-080802	5	7
		13
26116-120252	15	35
26206-100252	3	4
26206-100302	3	5
26226-080182	4	35
26306-080002	2	27
	6	6
26306-100002	16	30
26366-060002	9	14
26450-080452	11	99
26756-060002	12	68
26776-140002	7	20
	11	100
27241-120000	1	12
27241-300000	1	13
27241-400000	4	9
27310-080001	4	14
719802-01500	2	1
729150-92740	17	1
729246-53101	13	1
729402-23100	8	25
729601-14580	7	3
729602-01560	1	1
729647-51390	11	1
977770-1207F	2	31
	3	21
	4	56
	17	31
X0280210230	15	11
X0283060061	15	2
X0283270140	15	12
X9490561001	16	3
X9490561370	15	4
X9491200240	15	5
X9491730461	15	26

Parts No.	Fig. No.	Ref. No.
-----------	----------	----------

Parts No.	Fig. No.	Ref. No.
-----------	----------	----------

Parts No.	Fig. No.	Ref. No.
-----------	----------	----------