

0CW10-M52500EN

P R E F A C E

1. This parts catalog is the 1st edition of 4TNV88-GAGR for AGRINET.

Pub.No. : 0CW10-G52500

Published : July, 2009

2. Model name

Engine model	Vehicle	Vehicle made by
4TNV88-GAGR	GENERATOR	AGRINET

Directions for the Parts Catalog.

1. The parts stipulated in this Parts Catalog are not necessarily standard equipped parts.
2. Parts may change without prior notice.
3. The following is an example of the Parts Catalog format.

REF.	LEV.	PARTS NO.	DESCRIPTION	Q'TY						I	R
				(A)	(B)	(C)	(D)	(E)	(F)		
1	1	729595-51390	FUEL INJECTION PUMP	1	1	1	1	1			1
1-1	1	729595-51391	FUEL INJECTION PUMP	1	1	1	1	1		N	1
		(A=E00185) (B=E00200)									
3	2	26022-060162	SCREW M 6X 16	9	9	9	9	9			
3-1	2	26022-060162	SCREW M 6X 16	4	4	4	4	4		K	
		(A=E00156) (B=E00156) (C=E00156) (D=E00156) (E=E00156)									
4	2	129470-51040	CAMSHAFT	1	1	1	1	1			
5	2	122710-51050	BEARING, ROLLER	2	2	2	2	2			
6	2	129470-51060	RETAINER	1	1	1	1	1			

Remarks
(1) BOOST COMPEMSATOR TYPE. OPTIONAL PART, TO E00155,(4JH-DT, 4JH-DTZ

① Ref. No.

The Ref. No. listed may not be in accordance with the illustration Ref. No.

(Ex.) Illustration No.

List Ref No.

1 1 (Before change) → 1-1 (After change)

For interchangeable symbols N, R and K, illustrations for new parts may be abbreviated.

② Lev. (Level)

Level indication

The numbers below indicate the level of relativity towards the main part.

1 ---- Main parts (Assembly parts)

2 ---- Sub component included in " 1 ".

3 ---- Sub component included in " 2 ".

Note) Parts that are not for sale are partially illustrated but not listed.

③ Interchangeability Mark

When a part change takes place, one of the following interchangeability symbols is indicated beside the part.

Symbol	Interchangeability	Contents note
N	Old $\begin{matrix} \leftarrow \text{Yes} \\ \text{No} \rightarrow \end{matrix}$ New	New Part is interchangeable for Old Part but Old Part is not interchangeable for New Part.
Q	Old $\begin{matrix} \leftarrow \text{No} \\ \text{Yes} \rightarrow \end{matrix}$ New	New Part is not interchangeable for Old Part but Old Part is interchangeable for New Part.
R	Old $\begin{matrix} \leftarrow \text{Yes} \\ \text{Yes} \rightarrow \end{matrix}$ New	New/ Old Parts are both interchangeable.
S	Old $\begin{matrix} \leftarrow \text{No} \\ \text{No} \rightarrow \end{matrix}$ New	New/ Old Parts are both not interchangeable.
W		Part newly added.
Z		Part discontinued.
F		Not interchangeable by a single part but interchangeable together with related parts.
K		Changes only for used parts quantities.

④ Effective Machine No.

When a part changes, the effective Machine No. will be indicated in the (A)-(F) column.

Product Symbol	Product No.	Product Symbol	Product No.
C	Clutch No. Compressor No.	F	Machine No. (Agricultural Equip.)
D	Drive No.	M	Machine No.
E	Engine No.		

Note 1) A date may follow the symbol. (Ex.) 1996.01

Note 2) "XXXXX" and "ZZZZZ" are for parts that could not be predicted or for engine models that could not be identified.

Note 3) (A=E00185) is the E (Engine Serial Number) for the column (A) model (in this case 4JH-DT) after the parts design change.

⑤ Remarks Mark

Figures or alphabets (symbols) are entered in the remarks column.

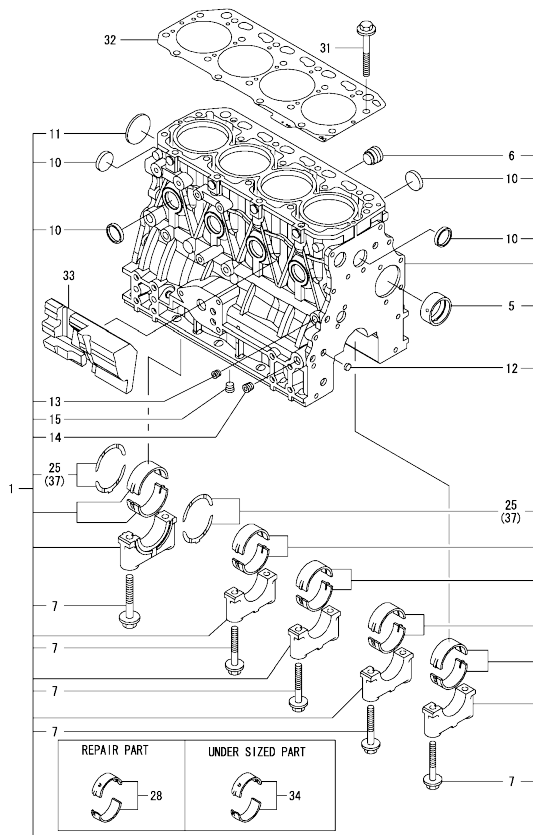
The comments (remarks) on parts that are indicated at the bottom of the illustration are the same symbols as those stated above.

Contents

0CW10-M52500

Fig. No.	Fig. Name	Fig. No.	Fig. Name
4TNV88-GAGR			
1.	CYLINDER BLOCK		
2.	GEAR HOUSING		
3.	FLYWHEEL HOUSING & OIL SUMP		
4.	CYLINDER HEAD & BONNET		
5.	SUCTION MANIFOLD & AIR CLEANER		
6.	EXHAUST MANIFOLD		
7.	CAMSHAFT & DRIVING GEAR		
8.	CRANKSHAFT & PISTON		
9.	LUB.OIL SYSTEM		
10.	COOLING WATER SYSTEM		
11.	FUEL INJECTION PUMP		
12.	GOVERNOR		
13.	FUEL INJECTION VALVE		
14.	FUEL LINE		
15.	STARTING MOTOR		
16.	GENERATOR		
17.	GASKET SET & TOOLS		

Fig.1. CYLINDER BLOCK



(A)=4TNV88-GAGR
(B)=
(C)=

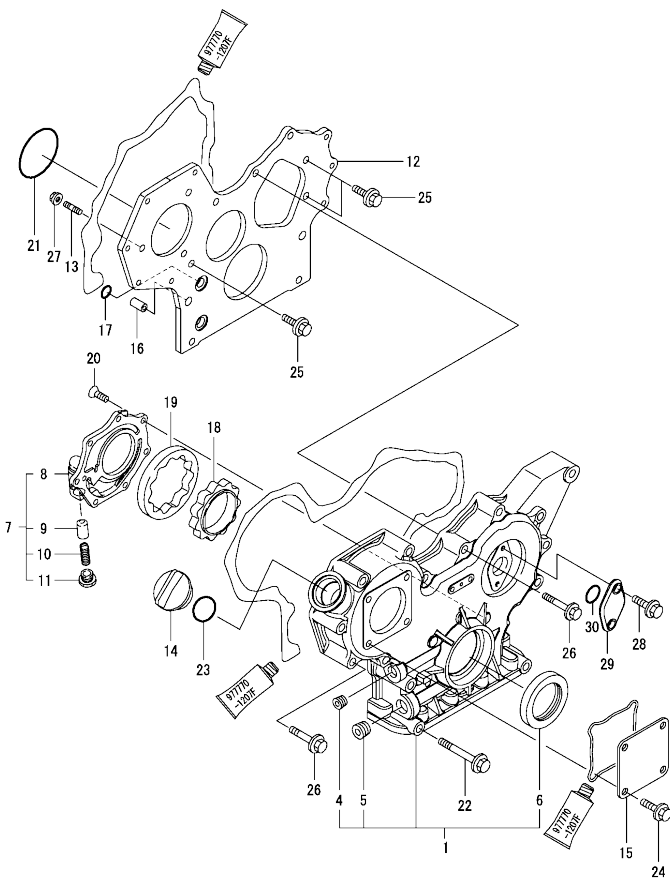
(D)=
(E)=
(F)=

No.	Lev.	Parts No.	Description	Q'ty						I	R
				(A)	(B)	(C)	(D)	(E)	(F)		
1	1	729602-01560	BLOCK ASSY, CYLINDER	1							
5	3	129795-02412	BUSH, CAMSHAFT	1							
6	3	171051-01921	PLUG, NPTF1	1							
7	3	129150-02020	BOLT, METAL CAP	10							
10	3	27241-300000	PLUG 30	8							
11	3	129001-01250	PLUG, 50	1							
12	2	27241-120000	PLUG, 12	2							
13	2	124060-01050	PLUG, PT1/8	1							
14	2	124160-01910	PLUG, PT1/4	2							
15	2	124160-01910	PLUG, PT1/4	1							
25	2	129150-02931	BEARING, THRUST	2							
28	1	129001-02931	BEARING, MAIN	5							1
31	1	129150-01200	BOLT, HEAD	18							
32	1	129407-01340	GASKET, HEAD	1							
33	1	129004-01190	SPACER	1							
34	1	129150-02871	BEARING, 0.25 US	5							2
37	1	129150-02941	BEARING, THRUST 0.25	1							3

Remarks
(1)REPAIR PART.
(2)UNDER-SIZED(U.S.=0.25)PART.
(3)OVER-SIZED(O.S.=0.25)PART.

0CW10-M52500 4TNV88-GAGR
 Fig.2. GEAR HOUSING

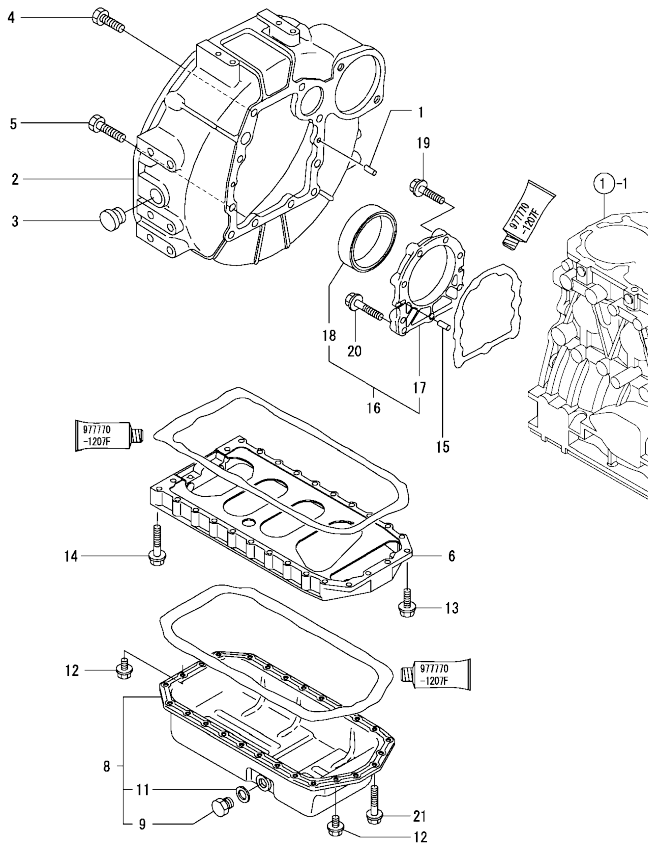
0CW10-M52500 Fig.2



No.	Lev.	Parts No.	Description	Q'ty						I	R
				(A)	(B)	(C)	(D)	(E)	(F)		
1	1	719802-01500	CASE ASSY, GEAR	1							
4	2	23876-030000	PLUG, R03	1							
5	2	23876-040000	PLUG, R04	1							
6	2	119934-01800	SEAL, OIL	1							
7	1	119802-32100	COVER ASSY	1							
8	2	119802-32070	COVER	1							
9	2	129900-32130	VALVE, RELIEF	1							
10	2	129418-32320	SPRING	1							
11	2	129001-32330	PLUG	1							
12	1	119802-01520	FLANGE, GEAR CASE	1							
13	1	119802-01561	STUD, M8X25	3							
14	1	124160-01751	COVER, FILLER	1							
15	1	124240-01871	COVER	1							
16	1	129795-01950	PIPE, KNOCK L=18	2							
17	1	119609-32040	O-RING, P16	4							
18	1	119802-32111	ROTOR, INNER	1							
19	1	119802-32120	ROTOR, OUTER	1							
20	1	119802-32130	SCREW, M6X16	7							
21	1	121850-51960	O-RING	1							
22	1	26106-080852	BOLT, M8X 85 PLATED	3							
23	1	24311-000320	O-RING, 1AP32.0	1							
24	1	26106-080162	BOLT, M8X 16 PLATED	4							
25	1	26106-080162	BOLT, M8X 16 PLATED	3							
26	1	26106-080552	BOLT, M8X 55 PLATED	12							
27	1	26306-080002	NUT, M8	3							
28	1	26106-060162	BOLT, M6X 16 PLATED	2							
29	1	121023-01551	COVER	1							
30	1	24341-000240	O-RING, 1AS24.0	1							

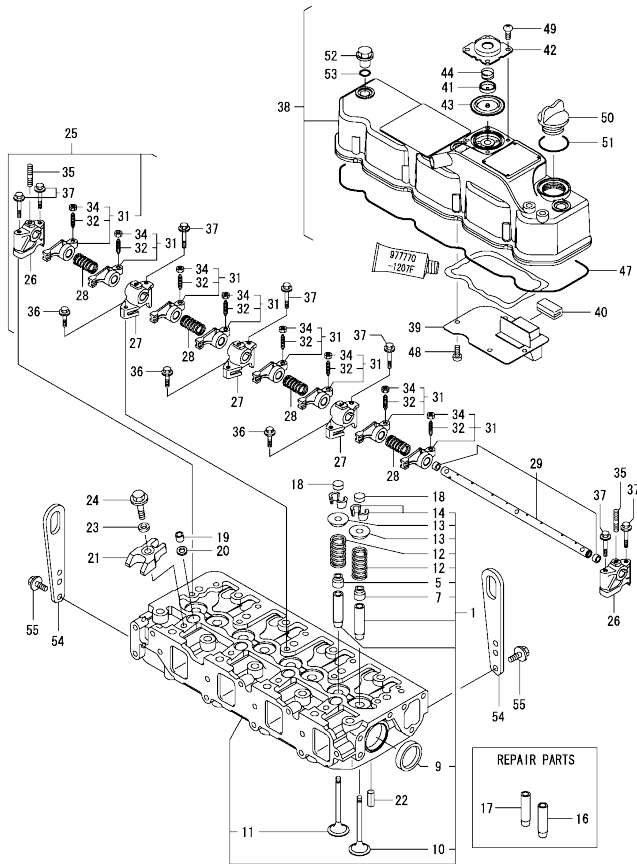
N:Old $\frac{100}{100}$ New, Q:Old $\frac{100}{100}$ New, R:Old $\frac{100}{100}$ New, S:Old $\frac{100}{100}$ New, W:Add, Z:Discontinued, F:Interchangeable by set, K:Qty Change
 Copyright (C) YANMAR CO., LTD. All Rights Reserved.

Fig.3. FLYWHEEL HOUSING & OIL SUMP



No.	Lev.	Parts No.	Description	Q'ty						I	R
				(A)	(B)	(C)	(D)	(E)	(F)		
1	1	129100-01580	PIN, M8X16	2							
2	1	171420-01600-1	HOUSING, FLYWHEEL	1							
3	1	119620-01750	CAP	1							
4	1	26206-100252	BOLT, M10X 25 PLATED	6							
5	1	26206-100302	BOLT, M10X 30 PLATED	4							
6	1	129400-01730-1	SPACER, OIL SUMP	1							
8	1	129688-01780	OIL PAN ASSY, DEEP	1							
9	2	119640-01640	PLUG, DRAIN M22	1							
11	2	22190-220002	WASHER, SEAL 22	1							
12	1	26106-080162	BOLT, M8X 16 PLATED	4							
13	1	26106-080252	BOLT, M8X 25 PLATED	2							
14	1	26106-080452	BOLT, M8X 45 PLATED	20							
15	1	129100-01580	PIN, M8X16	2							
16	1	129100-01640	CASE ASSY, OIL SEAL	1							
17	2	129150-01650-1	CASE, OIL SEAL	1							
18	2	129795-01780	SEAL, OIL	1							
19	1	129486-01670	BOLT, M8X30	6							
20	1	26106-080352	BOLT, M8X 35 PLATED	3							
21	1	26106-080502	BOLT, M8X 50 PLATED	4							

Fig.4. CYLINDER HEAD & BONNET



(A)=4TNV88-GAGR
(B)=
(C)=

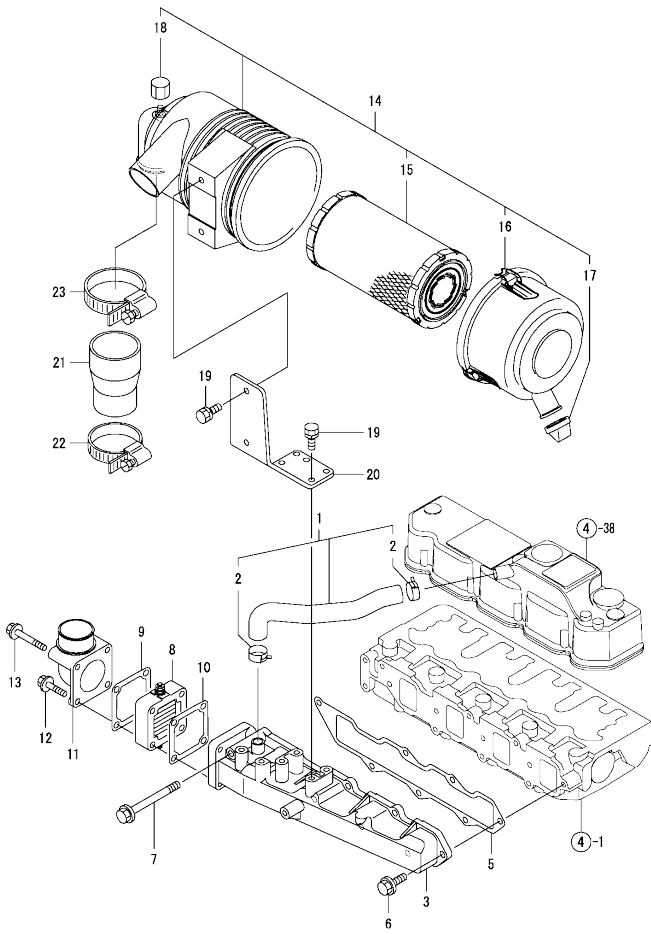
(D)=
(E)=
(F)=

No.	Lev.	Parts No.	Description	Q'ty						I	R
				(A)	(B)	(C)	(D)	(E)	(F)		
1	1	129601-11700	HEAD ASSY, CYLINDER	1							
5	2	121400-11340	SEAL, VALVE STEM	4							
7	2	124460-11340	SEAL, VALVE STEM	4							
9	2	27241-400000	PLUG, 40	2							
10	2	129004-11130	VALVE, INTAKE	4							
11	2	129100-11112	VALVE, EXHAUST	4							
12	2	129795-11120	SPRING, VALVE	8							
13	2	129795-11180	RETAINER, SPRING	8							
14	2	27310-080001	COTTER, 8	8							
16	1	120130-11860	GUIDE, VALVE	4							1
17	1	129150-11810	GUIDE, VALVE	4							1
18	1	129150-11370	CAP, VALVE	8							
19	1	119802-11870	PROTECTOR, NOZZLE	4							
20	1	119625-11880	SEAT, NOZZLE	4							
21	1	129004-11900	RETAINER, NOZZLE	4							
22	1	22351-060012	PIN, SPRING 6.0X12	2							
23	1	120270-54410	WASHER, INJECTOR	4							
24	1	26106-080352	BOLT, M8X 35 PLATED	4							
25	1	129601-11241	SHAFT ASSY, ROCKER	1							
26	2	119802-11260	SUPPORT, ROCKER ARM	2							
27	2	119802-11270	SUPPORT, ROCKER ARM	3							
28	2	129150-11280	SPRING	4							
29	2	129601-11251	SHAFT, ROCKER ARM	1							
31	2	129004-11650	ARM, ROCKER	8							
32	3	129150-11230	SCREW, VALVE ADJUST	8							
34	3	129150-11750	NUT, M8	8							
35	2	26226-080182	STUD, M8X 18	2							
36	1	26106-080252	BOLT, M8X 25 PLATED	3							
37	1	26106-080502	BOLT, M8X 50 PLATED	7							
38	1	129601-11350	BONNET ASSY, HEAD	1							
39	2	129004-03010	PLATE	1							
40	2	129150-03070	BAFFLE, BREATHER	1							
41	2	119802-03110	PLATE	1							
42	2	119802-03121	COVER, DIAPHRAGM	1							
43	2	119802-03130	DIAPHRAGM	1							
44	2	119802-03141	SPRING, DIAPHRAGM	1							
47	2	129601-11310	GASKET, BONNET	1							
48	2	22857-500100	SCREW, 5X10	4							
49	2	22857-500100	SCREW, 5X10	4							
50	1	124160-01751	COVER, FILLER	1							
51	1	24311-000320	O-RING, 1AP32.0	1							
52	1	124160-11360	KNOB	3							
53	1	24311-000120	O-RING, 1AP12.0	3							
54	1	129900-07900	LIFTER	2							
55	1	26106-080162	BOLT, M8X 16 PLATED	4							

Remarks
(1)REPAIR PART.

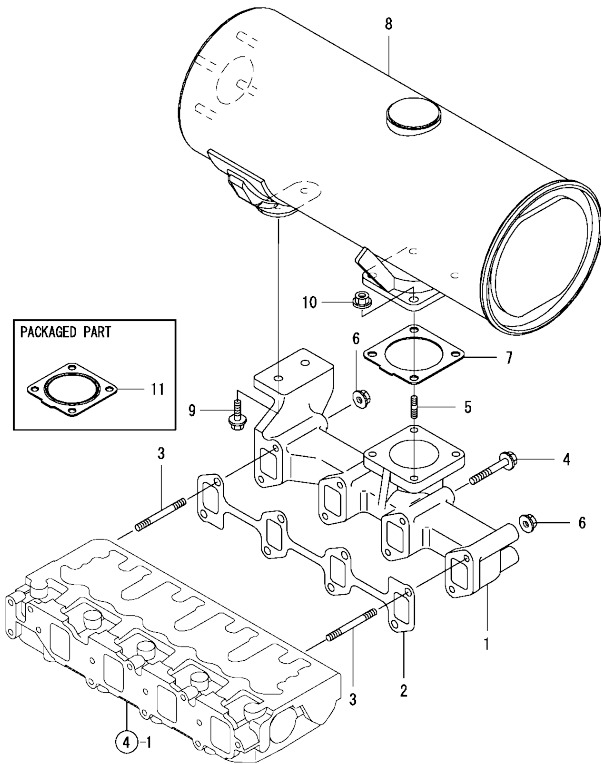
N:Old $\frac{100}{100}$ New, Q:Old $\frac{100}{100}$ New, R:Old $\frac{100}{100}$ New, S:Old $\frac{100}{100}$ New, W:Add, Z:Discontinued, F:Interchangeable by set, K:Q'ty Change
Copyright (C) YANMAR CO., LTD. All Rights Reserved.

Fig.5. SUCTION MANIFOLD & AIR CLEANER



No.	Lev.	Parts No.	Description	Q'ty					
				(A)	(B)	(C)	(D)	(E)	(F)
1	1	129601-03080	PIPE, BREATHER	1					
2	2	129410-03990	CLAMP, 22	2					
3	1	129601-12100	MANIFOLD, AIR INTAKE	1					
5	1	129407-12110	GASKET, MANIFOLD	1					
6	1	26106-080202	BOLT, M8X 20 PLATED	6					
7	1	26106-080802	BOLT, M8X 80 PLATED	1					
8	1	129100-77501	HEATER	1					
9	1	129100-77510	GASKET, AIR HEATER	1					
10	1	129150-77511	GASKET	1					
11	1	171340-77520	BEND	1					
12	1	26106-080402	BOLT, M8X 40 PLATED	2					
13	1	26106-080802	BOLT, M8X 80 PLATED	2					
14	1	129601-12500	CLEANER ASSY, AIR	1					
15	2	129906-12520	ELEMENT	1					
16	2	129457-12530	COVER	1					
17	2	119808-12540	VALVE, UNLOADER	1					
18	2	121820-12590	NIPPLE	1					
19	1	26013-080222	BOLT, M8X 22	6					
20	1	129508-12560	BRACKET, AIR CLEANER	1					
21	1	129642-12550	PIPE, AIR INTAKE	1					
22	1	23000-060000	CLAMP, 60	1					
23	1	23000-080000	CLAMP, 80	1					

Fig.6. EXHAUST MANIFOLD

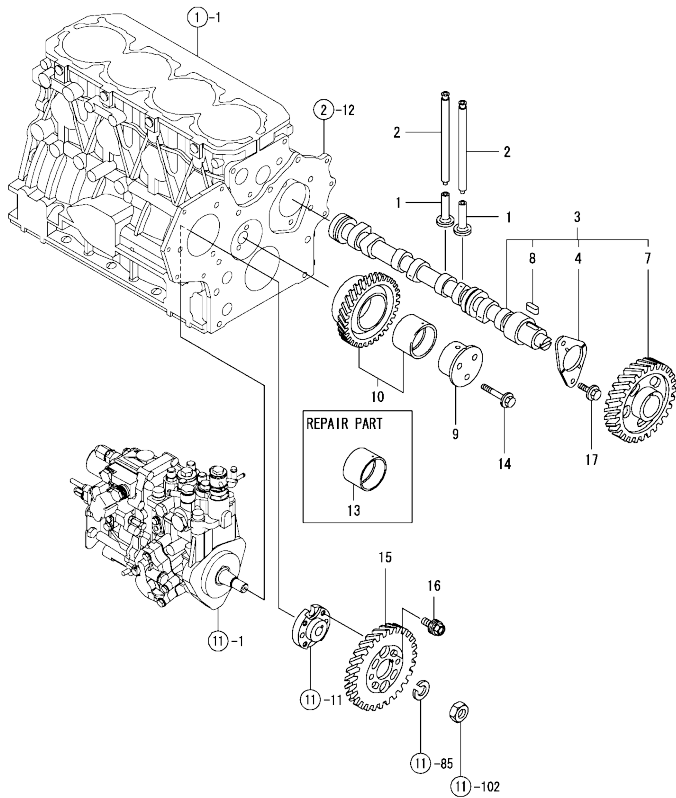


(A)=4TNV88-GAGR
(B)=
(C)=

(D)=
(E)=
(F)=

No.	Lev.	Parts No.	Description	Q'ty						I	R
				(A)	(B)	(C)	(D)	(E)	(F)		
1	1	129601-13109	MANIFOLD, EXHAUST	1							
2	1	129550-13110	GASKET	1							
3	1	123900-13610	STUD, M8X80	2							
4	1	123900-13630	BOLT, M8X80	6							
5	1	119131-18320	STUD, M8X22	4							
6	1	26306-080002	NUT, M8	2							
7	1	129930-13201	GASKET, SILENCER	1							
8	1	129601-13550	SILENCER	1							
9	1	26106-080252	BOLT, M8X 25 PLATED	2							
10	1	26306-080002	NUT, M8	4							
11	1	129930-13201	GASKET, SILENCER	1							

Fig.7. CAMSHAFT & DRIVING GEAR



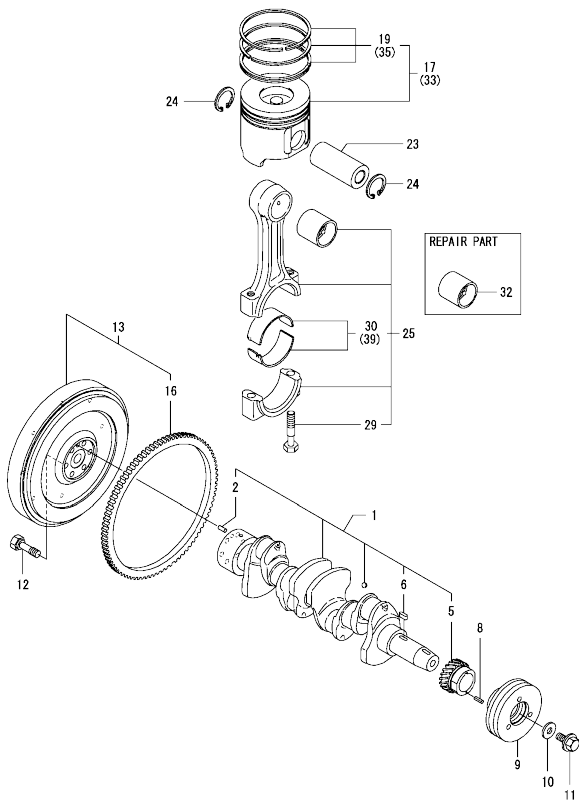
(A)=4TNV88-GAGR
(B)=
(C)=

(D)=
(E)=
(F)=

No.	Lev.	Parts No.	Description	Q'ty						I	R
				(A)	(B)	(C)	(D)	(E)	(F)		
1	1	129150-14200	TAPPET	8							
2	1	129150-14400	ROD, PUSH L=178	8							
3	1	729601-14580	CAMSHAFT ASSY	1							
4	2	129150-02450	BEARING, THRUST	1							
7	2	129150-14101	GEAR, CAMSHAFT	1							
8	2	22512-070140	KEY, 7X 14	1							
9	1	119802-25051	SHAFT, IDLE	1							
10	1	119802-25101	GEAR ASSY, IDLE	1							
13	1	119802-25071	BUSH, IDLE GEAR	1							1
14	1	26106-080402	BOLT, M8X 40 PLATED	3							
15	1	119802-25901	GEAR, PUMP	1							
16	1	129150-25301	BOLT	4							
17	1	26106-080142	BOLT, M8X 14 PLATED	2							

Remarks
(1)REPAIR PART.

Fig.8. CRANKSHAFT & PISTON



(A)=4TNV88-GAGR
(B)=
(C)=

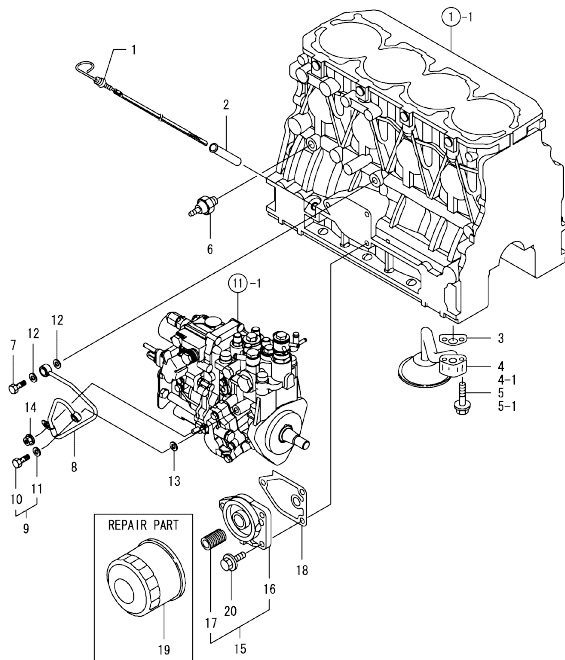
(D)=
(E)=
(F)=

No.	Lev.	Parts No.	Description	Q'ty						I	R
				(A)	(B)	(C)	(D)	(E)	(F)		
1	1	129601-21002	CRANKSHAFT ASSY	1							
2	2	129100-01580	PIN, M8X16	1							
5	2	119802-21202	GEAR, CRANKSHAFT	1							
6	2	22512-070140	KEY, 7X 14	1							
8	1	22351-030010	PIN, SPRING 3.0X10	1							
9	1	119802-21660	V-PULLEY, 120	1							
10	1	129795-21661	WASHER	1							
11	1	121850-21680	BOLT	1							
12	1	121111-21501	BOLT, FLYWHEEL	6							
13	1	171420-21590	FLYWHEEL ASSY	1							
16	2	124550-21600	GEAR, RING	1							
17	1	129005-22080	PISTON ASSY	4							
19	2	129005-22500	RING SET, PISTON	4							
23	1	129202-22300	PIN, PISTON D26 L70	4							
24	1	22252-000260	RING, 26	8							
25	1	729402-23100	ROD ASSY, CONNECTING	4							
29	2	121550-23200	BOLT, CONNECTING ROD	8							
30	2	129150-23601	BEARING, CRANK PIN	4							
32	1	129100-23910	BEARING, PISTON PIN	4							1
33	1	129005-22900	PISTON ASSY, 0.25 OS	4							3
35	2	129005-22950	RING SET, 0.25 OS	4							3
39	1	129150-23611	BEARING, 0.25 US	4							2

Remarks
(1)REPAIR PART.
(2)UNDER-SIZED(U.S.=0.25)PART.
(3)OVER-SIZED(O.S.=0.25)PART.

0CW10-M52500 4TNV88-GAGR
 Fig.9. LUB.OIL SYSTEM

0CW10-M52500 Fig.9

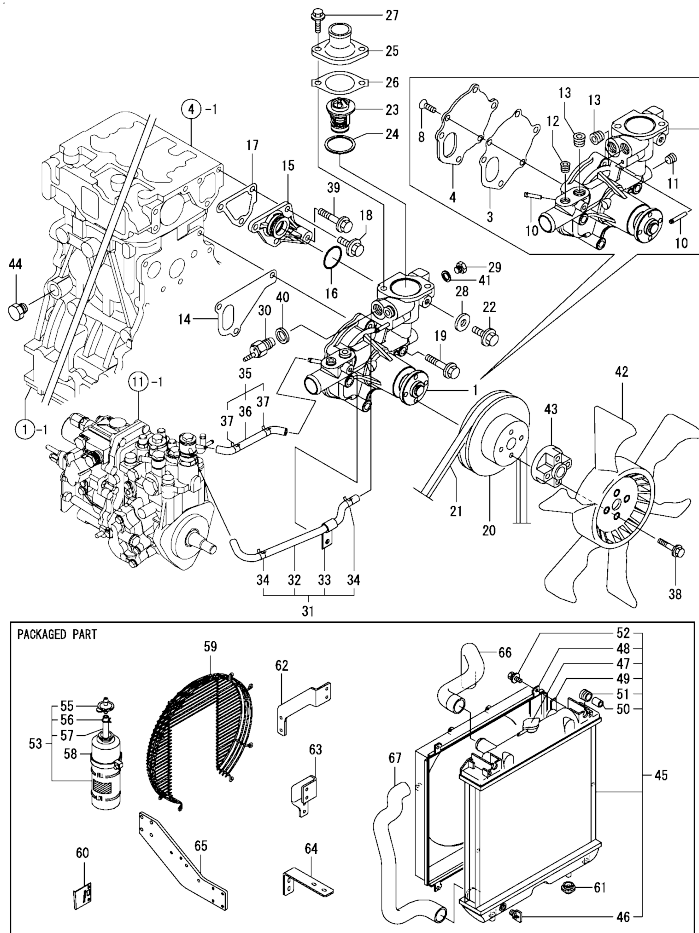


No.	Lev.	Parts No.	Description	Q'ty						I	R
				(A)	(B)	(C)	(D)	(E)	(F)		
1	1	129004-34802	DIPSTICK, OIL	1							
2	1	121520-34810	GUIDE, DIPSTICK	1							
3	1	129150-35042	GASKET	1							
4	1	129436-35091	PIPE ASSY, OIL INLET	1							
4-1	1	129436-35070	PIPE ASSY, LUB. OIL	1							S
(A=EZZZZZ)											
5	1	26106-080352	BOLT, M8X 35 PLATED	2							
5-1	1	26106-080552	BOLT, M8X 55 PLATED	2							S
(A=EZZZZZ)											
6	1	114250-39450	SWITCH, 0.5KG	1							
7	1	124160-39140	BOLT, PIPE JOINT M10	1							
8	1	119802-39450	PIPE ASSY, OIL	1							
9	1	129005-59830	BOLT ASSY, JOINT M8	1							
10	2	23857-030000	BOLT, JOINT 3	1							
11	2	22190-080002	WASHER, SEAL 6	1							
12	1	22190-100002	WASHER, SEAL 10	2							
13	1	22190-080002	WASHER, SEAL 6	1							
14	1	26368-060002	NUT, M6	1							
15	1	119802-35100	BRACKET ASSY, FILTER	1							
16	2	119802-35110	BRACKET, FILTER	1							
17	2	129100-35140	STUD	1							
18	1	129150-35111	GASKET	1							
19	1	129150-35153	FILTER	1							1
20	1	26106-080202	BOLT, M8X 20 PLATED	3							

Remarks
 (1)REPAIR PART.

N:Old $\frac{100}{100}$ New, Q:Old $\frac{100}{100}$ New, R:Old $\frac{100}{100}$ New, S:Old $\frac{100}{100}$ New, W:Add, Z:Discontinued, F:Interchangeable by set, K:Qty Change
 Copyright (C) YANMAR CO., LTD. All Rights Reserved.

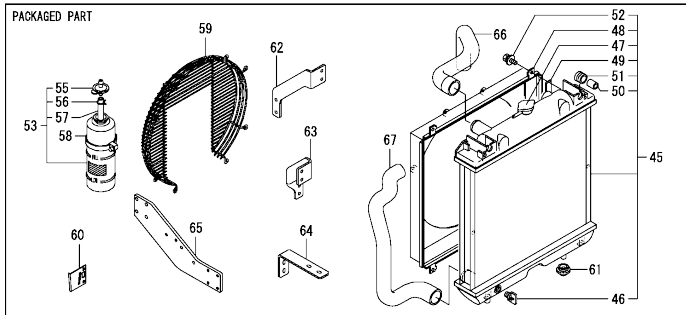
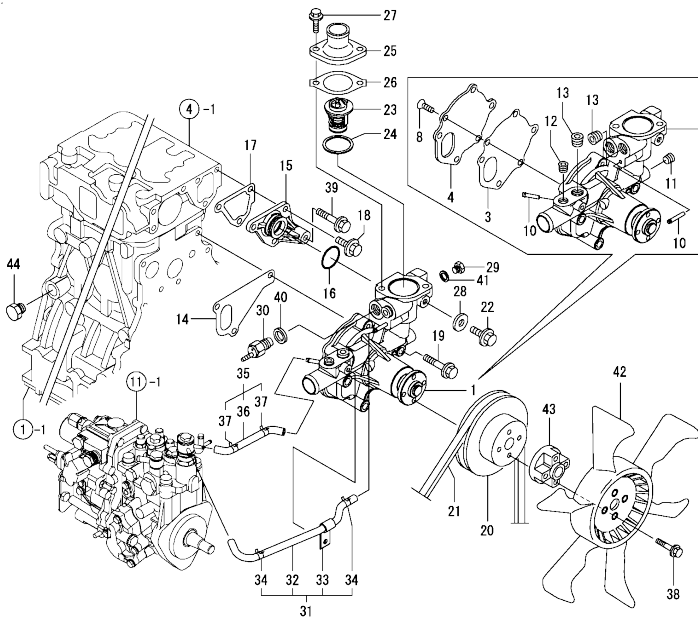
Fig.10. COOLING WATER SYSTEM



No.	Lev.	Parts No.	Description	Q'ty						I	R
				(A)	(B)	(C)	(D)	(E)	(F)		
1	1	129004-42001	PUMP ASSY, WATER	1							
3	2	129100-42051	GASKET, WATER PUMP	1							
4	2	129100-42121	PLATE, PUMP	1							
8	2	121850-42410	SCREW	3							
10	2	119802-49113	JOINT, PIPE	2							
11	2	23876-010000	PLUG, R01	1							
12	2	23876-020000	PLUG, R02	1							
13	2	129916-49740	PLUG, R3/8	2							
14	1	129486-42021	GASKET, WATER PUMP	1							
15	1	129004-42040	JOINT	1							
16	1	129486-42140	O-RING, G30	1							
17	1	124395-49840	GASKET, THERMOSTAT	1							
18	1	26106-080162	BOLT, M8X 16 PLATED	3							
19	1	26106-080602	BOLT, M8X 60 PLATED	3							
20	1	129155-42350	V-PULLEY, C.W.PUMP	1							
21	1	119831-42290	V-BELT, A37.5	1							
22	1	26106-080122	BOLT, M8X 12 PLATED	1							
23	1	129155-49801	THERMOSTAT, 71C	1							
24	1	129150-49811	GASKET, THERMOSTAT	1							
25	1	129350-49530-1	COVER, THERMOSTAT	1							
26	1	129795-49551	GASKET	1							
27	1	26106-080222	BOLT, M8X 22 PLATED	2							
28	1	23414-080000	GASKET, 8X1.0	1							
29	1	121450-42450	PLUG, M16	1							
30	1	121250-44901	SWITCH, THERMO 110	1							
31	1	129004-49610	HOSE ASSY, WATER	1							
32	2	129004-49711	HOSE, WATER	1							
33	2	119802-49730	RETAINER, PIPE	1							
34	2	124722-59050	CLAMP, HOSE 9	2							
35	1	129004-49620	HOSE ASSY, WATER	1							
36	2	129004-49721	HOSE, WATER	1							
37	2	124722-59050	CLAMP, HOSE 9	2							
38	1	26106-060302	BOLT, M6X 30 PLATED	4							
39	1	26106-080452	BOLT, M8X 45 PLATED	1							
40	1	124465-44950	GASKET, 16	1							
41	1	124465-44950	GASKET, 16	1							
42	1	129612-44700	FAN, COOLING	1							
43	1	121267-44760	SPACER, FAN 18MM	1							
44	1	171056-49120	PLUG, DRAIN R1/4	1							
45	1	129601-44500	RADIATOR ASSY	1							
46	2	129508-44550	COCK ASSY	1							
47	2	129107-44590	CAP, RADIATOR	1							
48	2	129601-44600	SHROUD	1							
49	2	129601-44610	GASKET	2							
50	2	118400-44670	COLLAR	2							
51	2	118400-44720	MOUNT, RUBBER	2							
52	2	26014-060122	BOLT, M6X 12	4							
53	1	124450-44510	TANK ASSY, SUB	1							
55	2	124450-44530	CAP, SUB-TANK	1							
56	2	124450-44560	CLAMP, HOSE	1							
57	2	23061-070230	PIPE, 7X 230	1							

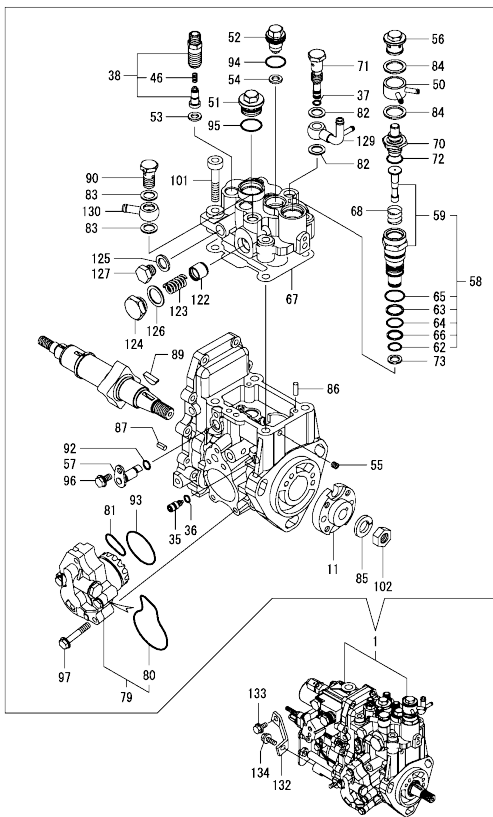
N:Old $\frac{100}{100}$ New, Q:Old $\frac{100}{100}$ New, R:Old $\frac{100}{100}$ New, S:Old $\frac{100}{100}$ New, W:Add, Z:Discontinued, F:Interchangeable by set, K:Q'ty Change
 ++ CONTINUE ++
 Copyright (C) YANMAR CO., LTD. All Rights Reserved.

Fig.10. COOLING WATER SYSTEM



No.	Lev.	Parts No.	Description	Q'ty						I	R
				(A)	(B)	(C)	(D)	(E)	(F)		
58	1	124450-44550	BAND, SUB-TANK	1							
59	1	129601-44560	GUARD, FAN	1							
60	1	121256-44600-3	BRACKET, SUB TANK	1							
61	1	119255-44660	ABSORBER	2							
62	1	129247-44910	STAY, MUFFLER	1							
63	1	129247-44920	STAY, MUFFLER	1							
64	1	129247-44930	STAY, MUFFLER	2							
65	1	129247-44950	BRACKET, RADIATOR	2							
66	1	129602-49010	HOSE, WATER	1							
67	1	129612-49040	HOSE, WATER	1							

Fig.11. FUEL INJECTION PUMP



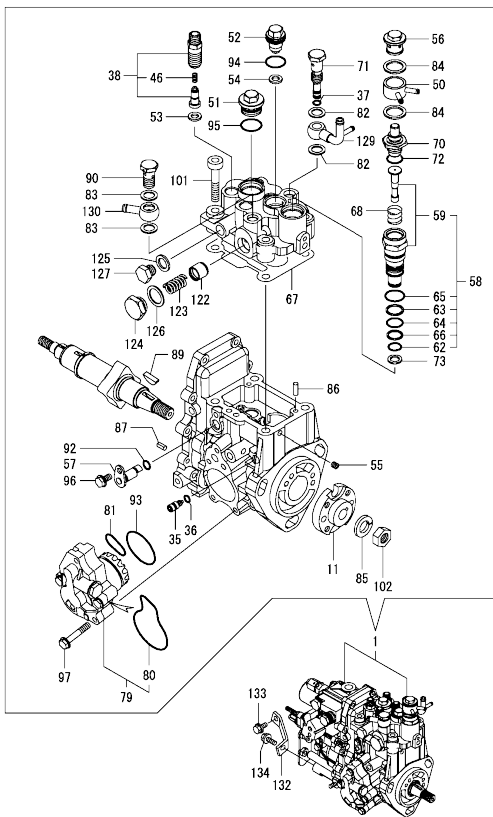
(A)=4TNV88-GAGR
(B)=
(C)=

(D)=
(E)=
(F)=

No.	Lev.	Parts No.	Description	Q'ty						I	R	
				(A)	(B)	(C)	(D)	(E)	(F)			
1	1	729647-51390	PUMP ASSY, INJECTION	1							1	
11	3	158552-51151	FLANGE	1								
35	3	158600-51270	STOPPER, TAPPET	1								
36	3	158563-51281	O-RING, 4D S6	1								
37	3	158563-51281	O-RING, 4D S6	1								
38	3	129509-51390	VALVE ASSY, DELIVERY	4								
46	4	158563-51330	SPRING, DELIVERY	4								
50	3	158553-51551	JOINT	1								
51	3	158601-51550	PLUG	1								
52	3	119802-51560	PLUG, BARREL	1								
53	3	158552-51571	GASKET	4								
54	3	158552-51571	GASKET	1								
55	3	158557-51570	PLUG	1								
56	3	158601-51570	PLUG	1								
57	3	158552-51580	LIFTER	1								
58	3	119802-51590	TIMER SET	1								
59	4	119802-51600	TIMER ASSY	1								
62	4	158553-51670	O-RING, 1011	1								
63	4	119802-51680	RING, BACK UP	1								
64	4	119802-51690	O-RING	1								
65	4	24356-010200	O-RING, 4D1020	1								
66	4	24372-000150	RING, BACK UP T2P15	1								
67	3	158552-51600	GASKET	1								
68	3	158553-51630	SPRING, TIMER	1								
70	3	158553-51640	ELEMENT	1								
71	3	158601-51650	JOINT, OVER FLOW	1								
72	3	158553-51660	O-RING, P14	1								
73	3	158553-51680	GASKET	1								
79	3	158552-52100	PUMP ASSY, FUEL FEED	1								
80	4	158552-52500	O-RING	1								
81	3	158552-52310	O-RING	1								
82	3	22190-120002	WASHER, SEAL 12	2								
83	3	22190-120002	WASHER, SEAL 12	2								
84	3	22190-180002	WASHER, SEAL 18	2								
85	3	22217-140000	WASHER, SPRING 14	1								
86	3	22312-050140	PIN, PARALLEL M5X14	2								
87	3	22351-050010	PIN, SPRING 5.0X10	2								
89	3	119802-51090	KEY, 4X16	1								
90	3	23857-060000	BOLT, JOINT 6	1								
92	3	24311-000070	O-RING, 1AP7.0	1								
93	3	158552-52400	O-RING, 4E S42	1								
94	3	24356-010180	O-RING, 4D1018	1								
95	3	24356-010200	O-RING, 4D1020	1								
96	3	26106-060102	BOLT, M6X 10 PLATED	1								
97	3	158553-51770	BOLT	4								
101	3	26450-080452	BOLT, M8X 45	4								
102	3	26776-140002	NUT, LOCK M14	1								
122	3	158601-51770	PISTON	1								
123	3	158552-51781	SPRING	1								
124	3	158601-51790	PLUG	1								
125	3	22190-120002	WASHER, SEAL 12	1								

Remarks
(1)GOVERNOR ASSY(FIG.12) IS INCORPORATED IN THIS FUEL INJECTION PUMP.(REF.NO.1).

Fig.11. FUEL INJECTION PUMP



(A)=4TNV88-GAGR
(B)=
(C)=

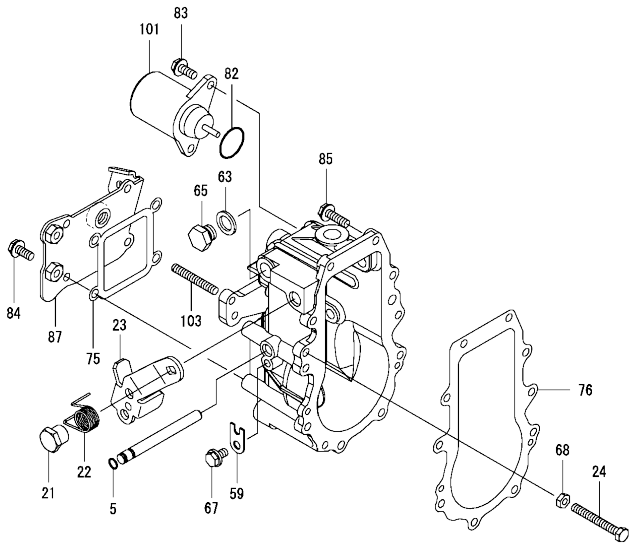
(D)=
(E)=
(F)=

No.	Lev.	Parts No.	Description	Q'ty					
				(A)	(B)	(C)	(D)	(E)	(F)
126	3	22190-180002	WASHER, SEAL 18	1					
127	3	23887-120002	PLUG, 12	1					
129	2	158552-51670	JOINT, OVER FLOW	1					
130	2	129916-59020	JOINT, PIPE 12	1					
132	1	129601-51250	RETAINER, PUMP	1					
133	1	26106-080162	BOLT, M8X 16 PLATED	1					
134	1	26106-080202	BOLT, M8X 20 PLATED	1					

Remarks
(1)GOVERNOR ASSY(FIG.12) IS INCORPORATED IN THIS FUEL INJECTION PUMP.(REF.NO.1).

0CW10-M52500 4TNV88-GAGR
 Fig.12. GOVERNOR

0CW10-M52500 Fig.12



(A)=4TNV88-GAGR
 (B)=
 (C)=

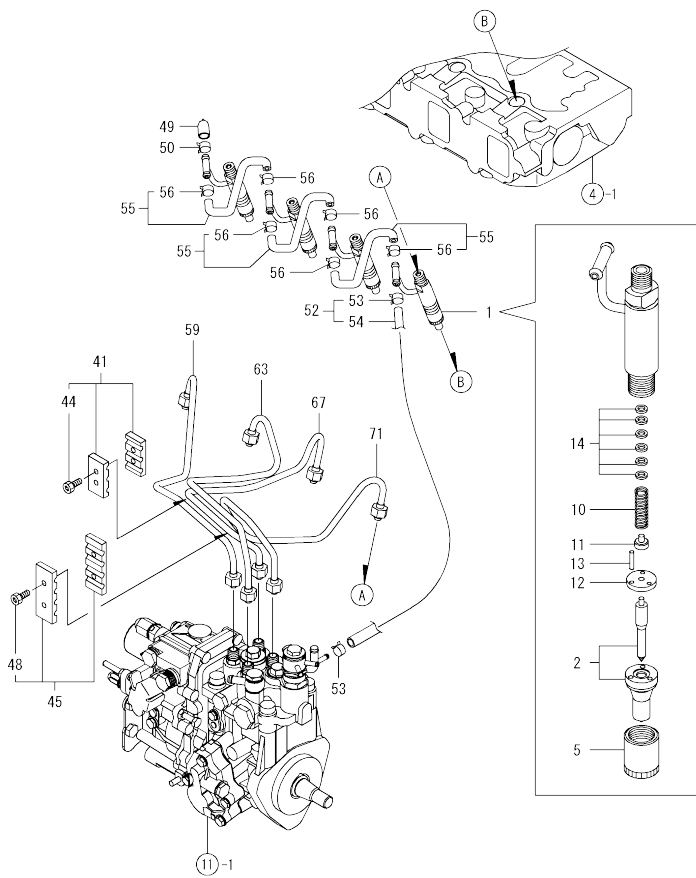
(D)=
 (E)=
 (F)=

No.	Lev.	Parts No.	Description	Q'ty						I	R
				(A)	(B)	(C)	(D)	(E)	(F)		
5	4	129155-51280	O-RING, S6	1							
21	4	129255-61410	NUT, LOCK	1							
22	4	119807-61420	SPRING, RETURN	1							
23	4	129246-61441	LEVER, REGULATOR	1							
24	4	129155-61460	BOLT, IDLE	1							
29	4	119660-61901	RETAINER, SHAFT	1							
33	4	22190-120002	WASHER, SEAL 12	1							
35	4	158553-51930	PLUG, M12	1							
37	4	26106-060102	BOLT, M6X 10 PLATED	1							
38	4	26756-060002	NUT, LOCK M6	1							
39	3	158553-61070	GASKET	1							
40	3	158553-61050	GASKET	1							
41	3	158552-61900	O-RING	1							
42	3	26106-060142	BOLT, M6X 14 PLATED	2							
43	3	26106-060142	BOLT, M6X 14 PLATED	4							
44	3	26106-060202	BOLT, M6X 20 PLATED	10							
45	3	129246-61061	COVER, GOVERNOR CASE	1							
46	2	119653-77950	SOLENOID, STOP	1							
47	2	171002-66830	SCREW	1							

Remarks
 *THIS FIGURE(GOVERNOR ASSY)IS
 INCORPORATED IN THE FUEL INJECTION
 PUMP ASSY(FIG.11).

N:Old $\frac{100}{100}$ New, Q:Old $\frac{100}{100}$ New, R:Old $\frac{100}{100}$ New, S:Old $\frac{100}{100}$ New, W:Add, Z:Discontinued, F:Interchangeable by set, K:Q'ty Change
 Copyright (C) YANMAR CO., LTD. All Rights Reserved.

Fig.13. FUEL INJECTION VALVE

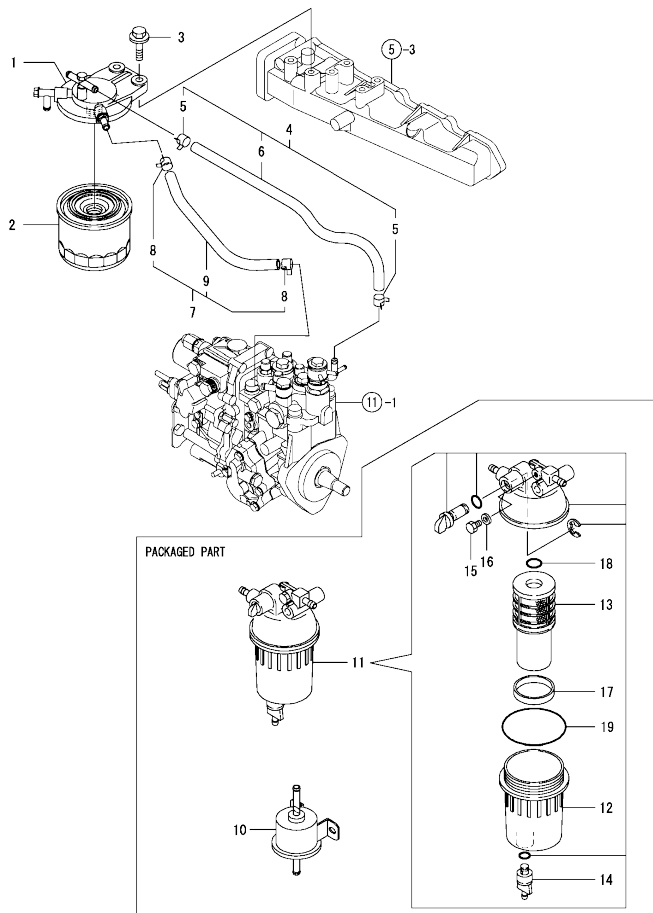


(A)=4TNV88-GAGR
(B)=
(C)=

(D)=
(E)=
(F)=

No.	Lev.	Parts No.	Description	Q'ty						I	R
				(A)	(B)	(C)	(D)	(E)	(F)		
1	1	729246-53101	VALVE ASSY,INJECTION	4							
2	2	129246-53001	VALVE ASSY,INJECTION	4							
5	2	114250-53080	NUT, NOZZLE D16.95	4							
6	2	119802-53100	HOLDER ASSY, NOZZLE	4							
10	2	114250-53120	SPRING, NOZZLE	4							
11	2	114250-53130	SEAT, SPRING	4							
12	2	114250-53140	PLATE	4							
13	2	114250-53210	PIN	8							
14	2	119803-53400	SHIM SET	4							
41	1	129150-59120	RETAINER, PIPE	1							
44	2	129150-59131	BOLT, M4X14	2							
45	1	129550-59120	RETAINER, PIPE	1							
48	2	129150-59131	BOLT, M4X14	2							
49	1	119593-59581	CAP	1							
50	1	124060-77680	CLIP, HOSE 10	1							
52	1	119802-59550	PIPE ASSY, RETURN	1							
53	2	124722-59050	CLIP, HOSE 9	2							
54	2	119802-59560	PIPE, FUEL RETURN	1							
55	1	129486-59551	PIPE ASSY, RETURN	3							
56	2	124722-59050	CLIP, HOSE 9	6							
59	1	129601-59810	PIPE ASSY, INJECTION	1							
63	1	129601-59820	PIPE ASSY, INJECTION	1							
67	1	129601-59830	PIPE ASSY, INJECTION	1							
71	1	129601-59840	PIPE ASSY, INJECTION	1							

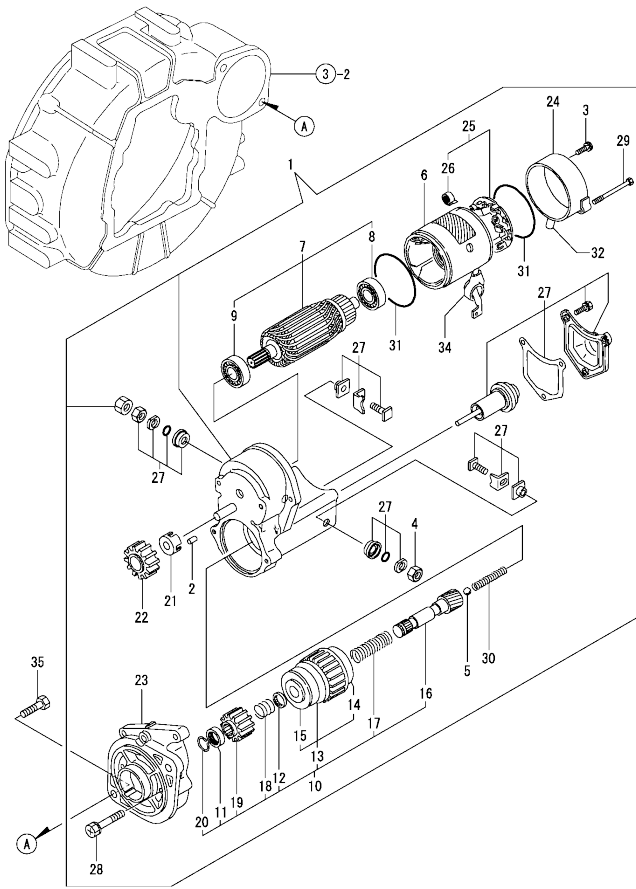
Fig.14. FUEL LINE



No.	Lev.	Parts No.	Description	Q'ty						I	R
				(A)	(B)	(C)	(D)	(E)	(F)		
1	1	129004-55612	BRACKET, FILTER	1							
2	1	119802-55801	FILTER, FUEL	1							
3	1	26106-080302	BOLT, M8X 30 PLATED	2							
4	1	129210-59150	PIPE ASSY, FUEL	1							
5	2	124766-59050	CLIP, HOSE 12	2							
6	2	105025-59530	PIPE, FUEL D13X400	1							
7	1	129210-59090	PIPE ASSY, FUEL	1							
8	2	124766-59050	CLIP, HOSE 12	2							
9	2	105325-59570	PIPE, FUEL	1							
10	1	119225-52102	PUMP ASSY, FUEL FEED	1							
11	1	129242-55700	SEPARATOR ASSY	1							
12	2	129242-55720	CUP	1							
13	2	129242-55730	ELEMENT	1							
14	2	129242-55740	PLUG, DRAIN	1							
15	2	129242-55750	VALVE, AIR VENT	1							
16	2	129242-55760	GASKET	1							
17	2	129242-55770	FLOAT	1							
18	2	24311-000160	O-RING, 1AP16.0	1							
19	2	24321-000750	O-RING, 1AG75.0	1							

N:Old $\frac{New}{Old}$ New, Q:Old $\frac{New}{Old}$ New, R:Old $\frac{New}{Old}$ New, S:Old $\frac{New}{Old}$ New, W:Add, Z:Discontinued, F:Interchangeable by set, K:Q'ty Change
 Copyright (C) YANMAR CO., LTD. All Rights Reserved.

Fig.15. STARTING MOTOR

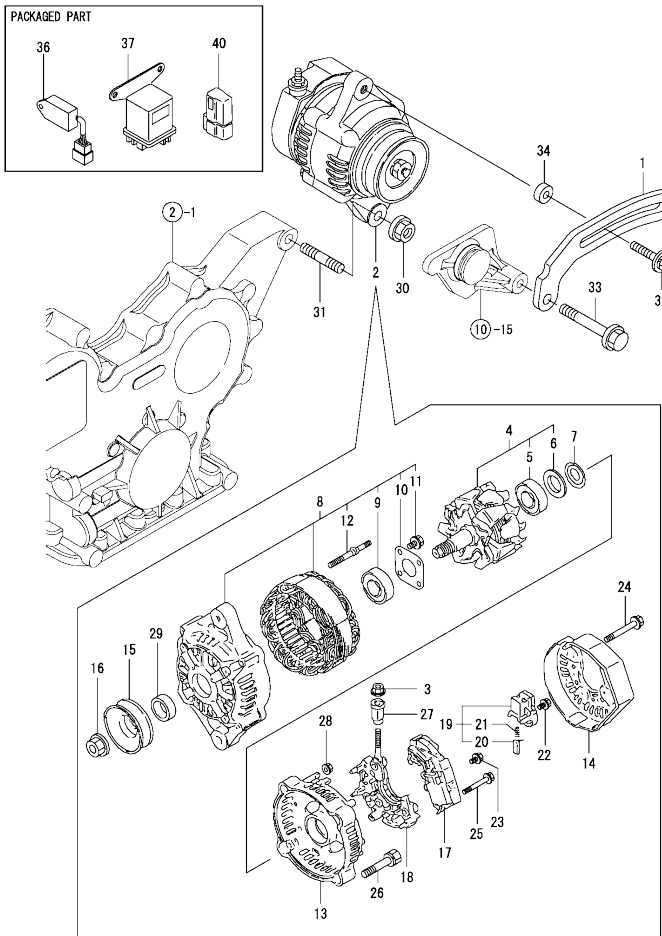


No.	Lev.	Parts No.	Description	Q'ty						I	R
				(A)	(B)	(C)	(D)	(E)	(F)		
1	1	129407-77010	STARTER, RA1.4	1							
2	2	X0283060061	ROLLER	5							
3	2	129129-77460	SCREW	2							
4	2	X9490561370	NUT	1							
5	2	X9491200240	BALL	1							
6	2	129407-77210	YOKE ASSY	1							
7	2	129407-77220	ARMATURE ASSY	1							
8	3	129129-77230	BEARING	1							
9	3	129129-77240	BEARING	1							
10	2	129407-77250	STARTER	1							
11	3	X0280210230	NUT	1							
12	3	X0283270140	RETAINER	1							
13	3	129407-77390	CLUTCH ASSY	1							
14	4	129129-77440	BEARING	1							
15	4	129129-77450	BEARING	1							
16	3	129129-77400	SHAFT	1							
17	3	129129-77410	SPRING, COIL	1							
18	3	129407-77410	SPRING	1							
19	3	129129-77420	PINION	1							
20	3	129129-77430	RING	1							
21	2	129129-77260	RETAINER	1							
22	2	129129-77270	PINION	1							
23	2	129407-77280	HOUSING	1							
24	2	129129-77290	FRAME	1							
25	2	129407-77300	HOLDER ASSY	1							
26	3	X9491730461	SPRING	4							
27	2	129407-77310	SWITCH ASSY	1							
28	2	129129-77320	BOLT	2							
29	2	129407-77330	BOLT	2							
30	2	129129-77340	SPRING	1							
31	2	129129-77350	O-RING	2							
32	2	129129-77362	COVER	1							
34	2	129129-77380	CAP	1							
35	1	26116-120252	BOLT, M12X 25 PLATED	2							

N:Old $\frac{100}{100}$ New, Q:Old $\frac{100}{100}$ New, R:Old $\frac{100}{100}$ New, S:Old $\frac{100}{100}$ New, W:Add, Z:Discontinued, F:Interchangeable by set, K:Q'ty Change
 Copyright (C) YANMAR CO., LTD. All Rights Reserved.

OCW10-M52500 4TNV88-GAGR
 Fig.16. GENERATOR

OCW10-M52500 Fig.16



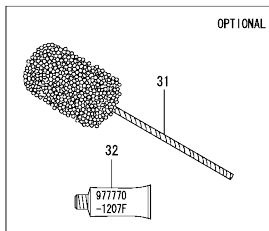
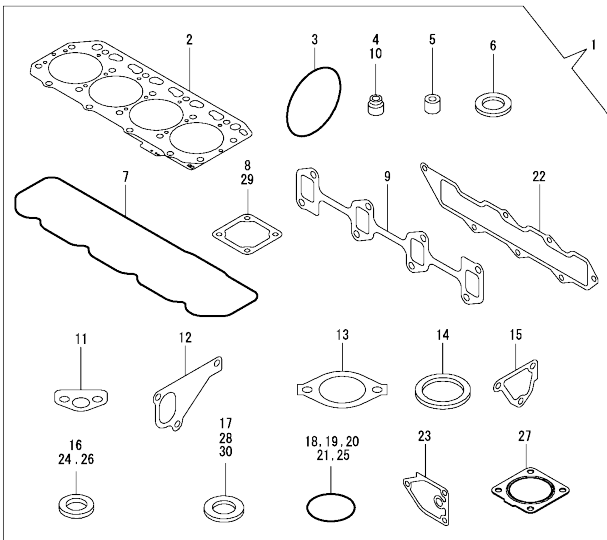
No.	Lev.	Parts No.	Description	Q'ty						I	R
				(A)	(B)	(C)	(D)	(E)	(F)		
1	1	119940-77330	ADJUSTER	1							
2	1	129423-77200	GENERATOR, 12V-40A	1							
3	2	X9490561001	NUT	1							
4	2	119620-77380	ROTOR ASSY	1							
5	3	123501-79240	BEARING, BALL	1							
6	3	119620-79250	COVER, BEARING	1							
7	2	119620-79360	WASHER, THRUST	1							
8	2	119620-77421	FRAME ASSY, DRIVE	1							
9	3	119620-79200	BALL BEARING	1							
10	3	119620-79210	PLATE	1							
11	3	119620-79220	SCREW	4							
12	3	119620-79230	BOLT, STUD	2							
13	2	119620-77440	FLAME ASSY, REAR	1							
14	2	129240-79300	COVER	1							
15	2	119620-77461	PULLEY	1							
16	2	119620-77471	NUT	1							
17	2	129423-77710	REGULATOR ASSY	1							
18	2	119620-79260	HOLDER	1							
19	2	129052-79270	HOLDER, BRUSH	1							
20	3	119620-77480	BRUSH ASSY	2							
21	3	119620-79280	SPRING	2							
22	2	119620-79290	SCREW	6							
23	2	119620-79300	SCREW	1							
24	2	119620-79310	BOLT	3							
25	2	119620-79320	SCREW W/WASHER	2							
26	2	119620-79330	BOLT	2							
27	2	119620-79340	INSULATION BUSH	1							
28	2	119620-79350	NUT	2							
29	2	119620-77490	COLLAR	1							
30	1	26306-100002	NUT, M10	1							
31	1	129795-01900	STUD	1							
32	1	129972-77341	BOLT, ADJUSTER L=50	1							
33	1	26106-080452	BOLT, M8X 45 PLATED	1							
34	1	119940-77270	SPACER, GENERATOR	1							
36	1	129211-77920	TIMER	1							
37	1	119650-77910	RELAY ASSY, GLOW	1							
40	1	119643-66900	DIODE	1							

N:Old $\frac{100}{100}$ New, Q:Old $\frac{100}{100}$ New, R:Old $\frac{100}{100}$ New, S:Old $\frac{100}{100}$ New, W:Add, Z:Discontinued, F:Interchangeable by set, K:Q'ty Change
 Copyright (C) YANMAR CO., LTD. All Rights Reserved.

Fig.17. GASKET SET & TOOLS

(A)=4TNV88-GAGR
(B)=
(C)=

(D)=
(E)=
(F)=



No.	Lev.	Parts No.	Description	Q'ty						I	R
				(A)	(B)	(C)	(D)	(E)	(F)		
1	1	729150-92740	GASKET SET	1							1
2	2	129407-01340	GASKET, HEAD	1							
3	2	121850-51960	O-RING	1							
4	2	124460-11340	SEAL, VALVE STEM	4							
5	2	119802-11870	PROTECTOR, NOZZLE	4							
6	2	119625-11880	SEAT, NOZZLE	4							
7	2	129601-11310	GASKET, BONNET	1							
8	2	129150-77511	GASKET	1							
9	2	129550-13110	GASKET	1							
10	2	121400-11340	SEAL, VALVE STEM	4							
11	2	129150-35042	GASKET	1							
12	2	129486-42021	GASKET, WATER PUMP	1							
13	2	129795-49551	GASKET	1							
14	2	129150-49811	GASKET, THERMOSTAT	1							
15	2	124395-49840	GASKET	1							
16	2	22190-080002	WASHER, SEAL 6	2							
17	2	124465-44950	GASKET, 16	1							
18	2	24311-000120	O-RING, 1AP12.0	3							
19	2	24311-000320	O-RING, 1AP32.0	2							
20	2	24341-000240	O-RING, 1AS24.0	1							
21	2	129486-42140	O-RING, G30	1							
22	2	129407-12110	GASKET, MANIFOLD	1							
23	2	129150-35111	GASKET	1							
24	2	22190-220002	WASHER, SEAL 22	1							
25	2	119609-32040	O-RING, P16	4							
26	2	22190-100002	WASHER, SEAL 10	2							
27	2	129930-13201	GASKET, SILENCER	1							
28	2	23414-080000	GASKET, 8X1.0	1							
29	2	129100-77510	GASKET, AIR HEATER	1							
30	2	129150-49360	GASKET	1							
31	1	129400-92430	HONE	1							1
32	1	977770-1207F	GASKET,LIQUID	1							1

Remarks
(1)OPTIONAL PART.

N:Old $\frac{100}{100}$ New, Q:Old $\frac{100}{100}$ New, R:Old $\frac{100}{100}$ New, S:Old $\frac{100}{100}$ New, W:Add, Z:Discontinued, F:Interchangeable by set, K:Qty Change
Copyright (C) YANMAR CO., LTD. All Rights Reserved.

Parts No. Index

Parts No.	Fig. No.	Ref. No.
105025-59530	14	6
105325-59570	14	9
114250-39450	9	6
114250-53080	13	5
114250-53120	13	10
114250-53130	13	11
114250-53140	13	12
114250-53210	13	13
118400-44670	10	50
118400-44720	10	51
119131-18320	6	5
119225-52102	14	10
119255-44660	10	61
119593-59581	13	49
119609-32040	2	17
	17	25
119620-01750	3	3
119620-77380	16	4
119620-77421	16	8
119620-77440	16	13
119620-77461	16	15
119620-77471	16	16
119620-77480	16	20
119620-77490	16	29
119620-79200	16	9
119620-79210	16	10
119620-79220	16	11
119620-79230	16	12
119620-79250	16	6
119620-79260	16	18
119620-79280	16	21
119620-79290	16	22
119620-79300	16	23
119620-79310	16	24
119620-79320	16	25
119620-79330	16	26
119620-79340	16	27
119620-79350	16	28
119620-79360	16	7
119625-11880	4	20
	17	6
119640-01640	3	9
119643-66900	16	40
119650-77910	16	37
119653-77950	12	101
119660-61901	12	59
119802-01520	2	12
119802-01561	2	13
119802-03110	4	41
119802-03121	4	42

Parts No.	Fig. No.	Ref. No.
119802-03130	4	43
119802-03141	4	44
119802-11260	4	26
119802-11270	4	27
119802-11870	4	19
	17	5
119802-21202	8	5
119802-21660	8	9
119802-25051	7	9
119802-25071	7	13
119802-25101	7	10
119802-25901	7	15
119802-32070	2	8
119802-32100	2	7
119802-32111	2	18
119802-32120	2	19
119802-32130	2	20
119802-35100	9	15
119802-35110	9	16
119802-39450	9	8
119802-49113	10	10
119802-49730	10	33
119802-51090	11	89
119802-51560	11	52
119802-51590	11	58
119802-51600	11	59
119802-51680	11	63
119802-51690	11	64
119802-53100	13	6
119802-55801	14	2
119802-59550	13	52
119802-59560	13	54
119803-53400	13	14
119807-61420	12	22
119808-12540	5	17
119831-42290	10	21
119934-01800	2	6
119940-77270	16	34
119940-77330	16	1
120130-11860	4	16
120270-54410	4	23
121023-01551	2	29
121111-21501	8	12
121250-44901	10	30
121256-44600-3	10	60
121267-44760	10	43
121400-11340	4	5
	17	10
121450-42450	10	29
121520-34810	9	2

Parts No.	Fig. No.	Ref. No.
121550-23200	8	29
121820-12590	5	18
121850-21680	8	11
121850-42410	10	8
121850-51960	2	21
	17	3
123501-79240	16	5
123900-13610	6	3
123900-13630	6	4
124060-01050	1	13
124060-77680	13	50
124160-01751	2	14
	4	50
124160-01910	1	14
	15	15
124160-11360	4	52
124160-39140	9	7
124240-01871	2	15
124395-49840	10	17
	17	15
124450-44510	10	53
124450-44530	10	55
124450-44550	10	58
124450-44560	10	56
124460-11340	4	7
	17	4
124465-44950	10	40
	41	41
	17	17
124550-21600	8	16
124722-59050	10	34
	37	37
	13	53
	56	56
124766-59050	14	5
	8	8
129001-01250	1	11
129001-02931	1	28
129001-32330	2	11
129004-01190	1	33
129004-03010	4	39
129004-11130	4	10
129004-11650	4	31
129004-11900	4	21
129004-34802	9	1
129004-42001	10	1
129004-42040	10	15
129004-49610	10	31
129004-49620	10	35
129004-49711	10	32

Parts No.	Fig. No.	Ref. No.
129004-49721	10	36
129004-55612	14	1
129005-22080	8	17
129005-22500	8	19
129005-22900	8	33
129005-22950	8	35
129005-59830	9	9
129052-79270	16	19
129100-01580	3	1
	8	2
129100-01640	3	16
129100-11112	4	11
129100-23910	8	32
129100-35140	9	17
129100-42051	10	3
129100-42121	10	4
129100-77501	5	8
129100-77510	5	9
	17	29
129107-44590	10	47
129129-77230	15	8
129129-77240	15	9
129129-77260	15	21
129129-77270	15	22
129129-77290	15	24
129129-77320	15	28
129129-77340	15	30
129129-77350	15	31
129129-77362	15	32
129129-77380	15	34
129129-77400	15	16
129129-77410	15	17
129129-77420	15	19
129129-77430	15	20
129129-77440	15	14
129129-77450	15	15
129129-77460	15	3
129150-01200	1	31
129150-01650-1	3	17
129150-02020	1	7
129150-02450	7	4
129150-02871	1	34
129150-02931	1	25
129150-02941	1	37
129150-03070	4	40
129150-11230	4	32
129150-11280	4	28
129150-11370	4	18
129150-11750	4	34

Parts No. Index

Parts No.	Fig. No.	Ref. No.
129150-11810	4	17
129150-14101	7	7
129150-14200	7	1
129150-14400	7	2
129150-23601	8	30
129150-23611	8	39
129150-25301	7	16
129150-35042	9	3
	17	11
129150-35111	9	18
	17	23
129150-35153	9	19
129150-49360	17	30
129150-49811	10	24
	17	14
129150-59120	13	41
129150-59131	13	44
		48
129150-77511	5	10
	17	8
129155-42350	10	20
129155-49801	10	23
129155-51280	12	5
129155-61460	12	24
129202-22300	8	23
129210-59090	14	7
129210-59150	14	4
129211-77920	16	36
129240-79300	16	14
129242-55700	14	11
129242-55720	14	12
129242-55730	14	13
129242-55740	14	14
129242-55750	14	15
129242-55760	14	16
129242-55770	14	17
129246-53001	13	2
129246-61061	12	87
129246-61441	12	23
129247-44910	10	62
129247-44920	10	63
129247-44930	10	64
129247-44950	10	65
129255-61410	12	21
129350-49530-1	10	25
129400-01730-1	3	6
129400-92430	17	31
129407-01340	1	32
	17	2
129407-12110	5	5

Parts No.	Fig. No.	Ref. No.
129407-12110	17	22
129407-77010	15	1
129407-77210	15	6
129407-77220	15	7
129407-77250	15	10
129407-77280	15	23
129407-77300	15	25
129407-77310	15	27
129407-77330	15	29
129407-77390	15	13
129407-77410	15	18
129410-03990	5	2
129418-32320	2	10
129423-77200	16	2
129423-77710	16	17
129436-35070	9	4 -1
129436-35091	9	4
129457-12530	5	16
129486-01670	3	19
129486-42021	10	14
	17	12
129486-42140	10	16
	17	21
129486-59551	13	55
129508-12560	5	20
129508-44550	10	46
129509-51390	11	38
129550-13110	6	2
	17	9
129550-59120	13	45
129601-03080	5	1
129601-11241	4	25
129601-11251	4	29
129601-11310	4	47
	17	7
129601-11350	4	38
129601-11700	4	1
129601-12100	5	3
129601-12500	5	14
129601-13109	6	1
129601-13550	6	8
129601-21002	8	1
129601-44500	10	45
129601-44560	10	59
129601-44600	10	48
129601-44610	10	49
129601-51250	11	132
129601-59810	13	59
129601-59820	13	63
129601-59830	13	67

Parts No.	Fig. No.	Ref. No.
129601-59840	13	71
129602-49010	10	66
129612-44700	10	42
129612-49040	10	67
129642-12550	5	21
129688-01780	3	8
129795-01780	3	18
129795-01900	16	31
129795-01950	2	16
129795-02412	1	5
129795-11120	4	12
129795-11180	4	13
129795-21661	8	10
129795-49551	10	26
	17	13
129900-07900	4	54
129900-32130	2	9
129906-12520	5	15
129916-49740	10	13
129916-59020	11	130
129930-13201	6	7
	17	11
	17	27
129972-77341	16	32
158552-51151	11	11
158552-51571	11	53
	11	54
158552-51580	11	57
158552-51600	11	67
158552-51670	11	129
158552-51781	11	123
158552-52100	11	79
158552-52310	11	81
158552-52400	11	93
158552-52500	11	80
158552-61900	12	82
158553-51551	11	50
158553-51630	11	68
158553-51640	11	70
158553-51660	11	72
158553-51670	11	62
158553-51680	11	73
158553-51770	11	97
158553-51930	12	65
158553-61050	12	76
158553-61070	12	75
158557-51570	11	55
158563-51281	11	36
		37
158563-51330	11	46

Parts No.	Fig. No.	Ref. No.
158600-51270	11	35
158601-51550	11	51
158601-51570	11	56
158601-51650	11	71
158601-51770	11	122
158601-51790	11	124
171002-66830	12	103
171051-01921	1	6
171056-49120	10	44
171340-77520	5	11
171420-01600-1	3	2
171420-21590	8	13
22190-080002	9	11
		13
	17	16
22190-100002	9	12
	17	26
22190-120002	11	82
		83
		125
	12	63
22190-180002	11	84
		126
22190-220002	3	11
	17	24
22217-140000	11	85
22252-000260	8	24
22312-050140	11	86
22351-030010	8	8
22351-050010	11	87
22351-060012	4	22
22512-070140	7	8
	8	6
22857-500100	4	48
		49
23000-060000	5	22
23000-080000	5	23
23061-070230	10	57
23414-080000	10	28
	17	28
23857-030000	9	10
23857-060000	11	90
23876-010000	10	11
23876-020000	10	12
23876-030000	2	4
23876-040000	2	5
23887-120002	11	127
24311-000070	11	92
24311-000120	4	53
	17	18

Parts No. Index

Parts No.	Fig. No.	Ref. No.
24311-000160	14	18
24311-000320	2	23
	4	51
	17	19
24321-000750	14	19
24341-000240	2	30
	17	20
24356-010180	11	94
24356-010200	11	65
		95
24372-000150	11	66
26013-080222	5	19
26014-060122	10	52
26106-060102	11	96
	12	67
26106-060142	12	83
		84
26106-060162	2	28
26106-060202	12	85
26106-060302	10	38
26106-080122	10	22
26106-080142	7	17
26106-080162	2	24
		25
	3	12
	4	55
	10	18
	11	133
26106-080202	5	6
	9	20
	11	134
26106-080222	10	27
26106-080252	3	13
	4	36
	6	9
26106-080302	14	3
26106-080352	3	20
	4	24
	9	5
26106-080402	5	12
	7	14
26106-080452	3	14
	10	39
	16	33
26106-080502	3	21
	4	37
26106-080552	2	26
	9	5 -1
26106-080602	10	19
26106-080802	5	7

Parts No.	Fig. No.	Ref. No.
26106-080802	5	13
26106-080852	2	22
26116-120252	15	35
26206-100252	3	4
26206-100302	3	5
26226-080182	4	35
26306-080002	2	27
	6	6
		10
26306-100002	16	30
26366-060002	9	14
26450-080452	11	101
26756-060002	12	68
26776-140002	11	102
27241-120000	1	12
27241-300000	1	10
27241-400000	4	9
27310-080001	4	14
719802-01500	2	1
729150-92740	17	1
729246-53101	13	1
729402-23100	8	25
729601-14580	7	3
729602-01560	1	1
729647-51390	11	1
977770-1207F	17	32
X0280210230	15	11
X0283060061	15	2
X0283270140	15	12
X9490561001	16	3
X9490561370	15	4
X9491200240	15	5
X9491730461	15	26

Parts No.	Fig. No.	Ref. No.
-----------	----------	----------

Parts No.	Fig. No.	Ref. No.
-----------	----------	----------