

0CD50-M02490EN

P R E F A C E

This parts catalog is the 1st edition of 4TNV88-GGF for Flores.

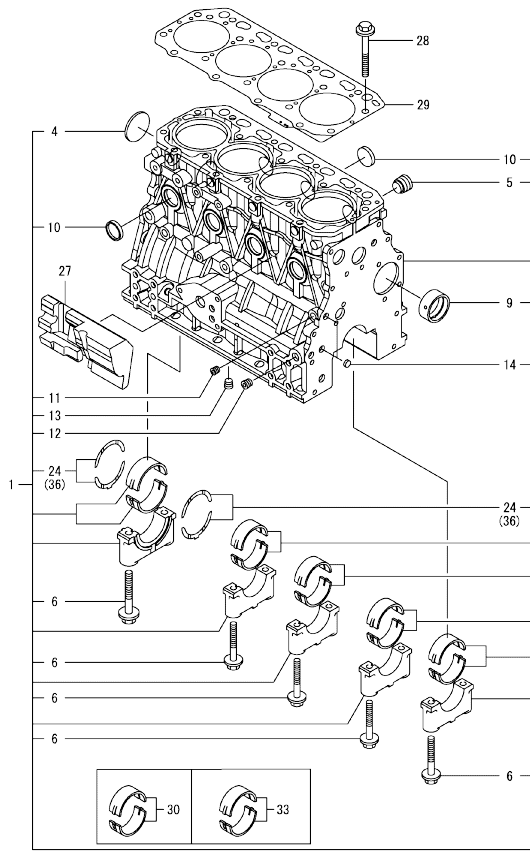
Published : July, 2016

Contents

OCD50-M02490

Fig. No.	Fig. Name	Fig. No.	Fig. Name
ENGINE			
1.	CYLINDER BLOCK		
2.	GEAR HOUSING		
3.	FLYWHEEL HOUSING & OIL SUMP		
4.	CYLINDER HEAD & BONNET		
5.	SUCTION MANIFOLD & AIR CLEANER		
6.	EXHAUST MANIFOLD		
7.	CAMSHAFT & DRIVING GEAR		
8.	CRANKSHAFT & PISTON		
9.	LUB. OIL SYSTEM		
10.	COOLING WATER SYSTEM		
11.	FUEL INJECTION PUMP		
12.	GOVERNOR		
13.	FUEL INJECTION VALVE		
14.	FUEL FILTER		
15.	STARTER MOTOR		
16.	GENERATOR		
17.	ACCESSORY		

Fig.1. CYLINDER BLOCK



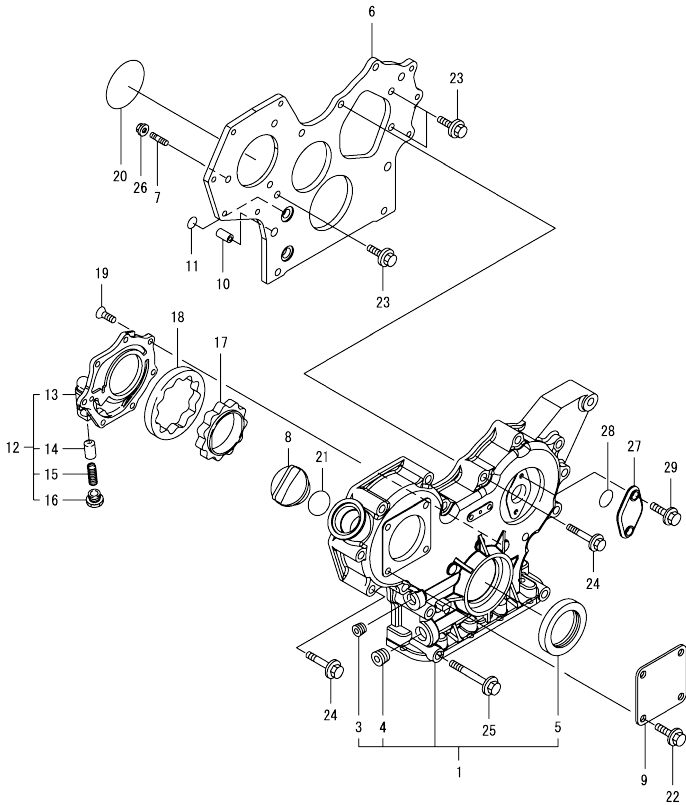
(A)=4TNV88-GGF
(B)=
(C)=

(D)=
(E)=
(F)=

No.	Lev.	Parts No.	Description	Q'ty						I	R
				(A)	(B)	(C)	(D)	(E)	(F)		
1	1	729602-01560	BLOCK ASSY, CYLINDER	1							
4	2	129001-01250	PLUG, DISH TYPE 50	1							
5	2	171051-01921	PLUG, NPTF1	1							
6	2	129150-02020	BOLT, METAL CAP	10							
9	2	129795-02412	BUSH, CAMSHAFT	1							
10	2	27241-300000	PLUG 30	8							
11	2	124060-01050	PLUG, PT1/8	1							
12	2	124160-01910	PLUG, PT1/4	2							
13	2	124160-01910	PLUG, PT1/4	1							
14	2	27241-120000	PLUG, 12	2							
24	2	129150-02931	BEARING ASSY, THRUST	2							
27	1	129004-01190	SPACER	1							
28	1	129150-01200	BOLT, CYLINDER HEAD	18							
29	1	129407-01340	GASKET, HEAD	1							
30	1	129001-02931	BEARING ASSY, MAIN	5							1
33	1	129150-02871	BEARING ASSY, MAIN	5							2
36	1	129150-02941	BEARING, THRUST 0.25	1							3

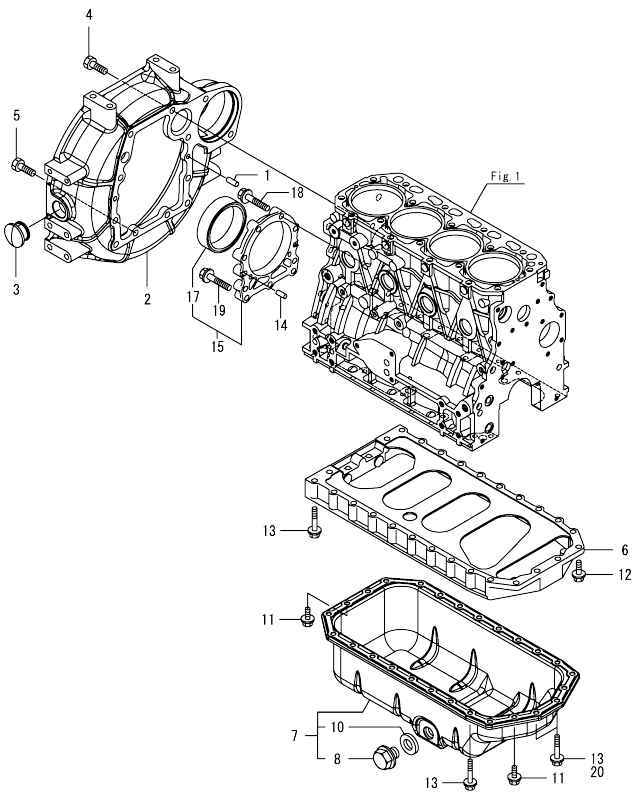
Remarks
 (1) Spare parts.
 (2) Over-sized (O.S.=0.25) parts.
 (3) Under-sized (U.S.=0.25) parts.

Fig.2. GEAR HOUSING



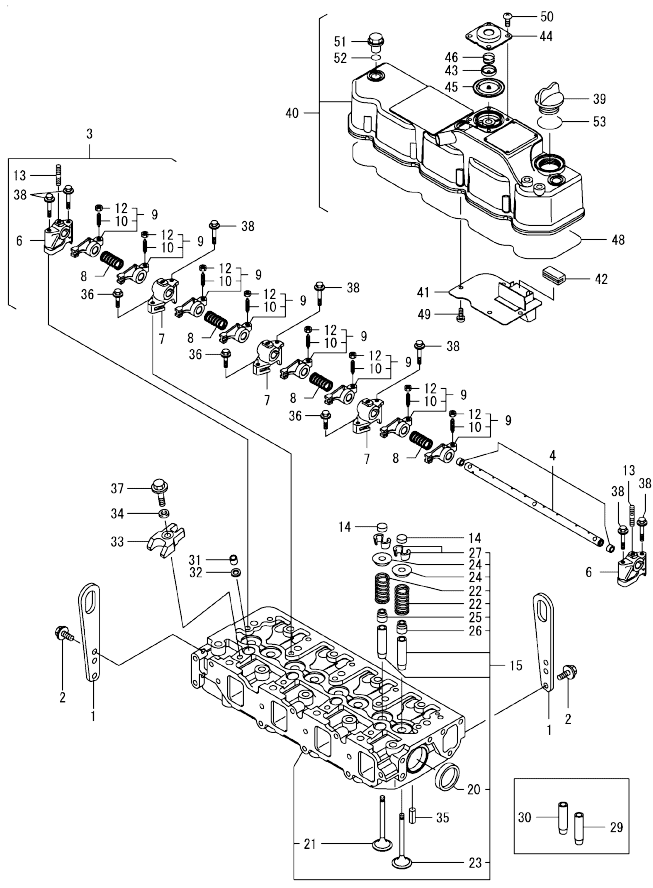
No.	Lev.	Parts No.	Description	Q'ty						I	R
				(A)	(B)	(C)	(D)	(E)	(F)		
1	1	719802-01500	CASE ASSY, GEAR	1							
3	2	23876-030000	PLUG, R03	1							
4	2	23876-040000	PLUG, R04	1							
5	2	119934-01800	SEAL, OIL	1							
6	1	119802-01520	FLANGE, GEAR CASE	1							
7	1	119802-01561	BOLT, STUD M8X25	3							
8	1	124160-01751	CAP, FILLER	1							
9	1	124240-01871	COVER, PUMP	1							
10	1	129795-01950	PIPE, DOWEL L=18	2							
11	1	119609-32040	O-RING, P16	4							
12	1	119802-32100	COVER ASSY	1							
13	2	119802-32070	COVER, PUMP	1							
14	2	129900-32130	VALVE, RELIEF	1							
15	2	129418-32320	SPRING	1							
16	2	129001-32330	PLUG	1							
17	1	119802-32111	ROTOR, INNER	1							
18	1	119802-32120	ROTOR, OUTER	1							
19	1	119802-32130	SCREW, M6X16	7							
20	1	121850-51960	O-RING	1							
21	1	24311-000320	O-RING, 1AP32.0	1							
22	1	26106-080162	BOLT, M8X 16 PLATED	4							
23	1	26106-080162	BOLT, M8X 16 PLATED	3							
24	1	26106-080552	BOLT, M8X 55 PLATED	12							
25	1	26106-080852	BOLT, M8X 85 PLATED	3							
26	1	26306-080002	NUT, M8	3							
27	1	121023-01551	COVER	1							
28	1	24341-000240	O-RING, 1AS24.0	1							
29	1	26106-060162	BOLT, M6X 16 PLATED	2							

Fig.3. FLYWHEEL HOUSING & OIL SUMP



No.	Lev.	Parts No.	Description	Q'ty						I	R
				(A)	(B)	(C)	(D)	(E)	(F)		
1	1	129100-01580	PIN, PARALLEL 8X16	2							
2	1	171420-01600	HOUSING, FLYWHEEL	1							
3	1	119620-01750	CAP	1							
4	1	26206-100252	BOLT, M10X 25 PLATED	6							
5	1	26206-100302	BOLT, M10X 30 PLATED	4							
6	1	129400-01730	SPACER, OIL-PAN	1							
7	1	129688-01780	OIL PAN ASSY, DEEP	1							
8	2	119640-01640	PLUG, DRAIN M22	1							
10	2	22190-220002	WASHER, SEAL 22	1							
11	1	26106-080162	BOLT, M8X 16 PLATED	4							
12	1	26106-080252	BOLT, M8X 25 PLATED	2							
13	1	26106-080452	BOLT, M8X 45 PLATED	20							
14	1	129100-01580	PIN, PARALLEL 8X16	2							
15	1	129648-01600	CASE ASSY, OIL SEAL	1							
17	2	129648-01780	SEAL, OIL	1							
18	1	129486-01670	BOLT, M8X30	6							
19	1	26106-080352	BOLT, M8X 35 PLATED	3							
20	1	26106-080502	BOLT, M8X 50 PLATED	4							

Fig.4. CYLINDER HEAD & BONNET



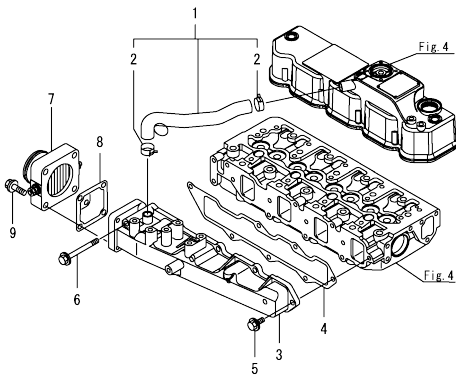
(A)=4TNV88-GGF
(B)=
(C)=

(D)=
(E)=
(F)=

No.	Lev.	Parts No.	Description	Q'ty						I	R
				(A)	(B)	(C)	(D)	(E)	(F)		
1	1	129900-07900	LIFTER, ENGINE	2							
2	1	26106-080162	BOLT, M8X 16 PLATED	4							
3	1	129601-11241	SHAFT ASSY, ROCKER	1							
4	2	129601-11251	SHAFT, ROCKER ARM	1							
6	2	119802-11260	SUPPORT, ROCKER ARM	2							
7	2	119802-11270	SUPPORT, ROCKER ARM	3							
8	2	129150-11280	SPRING, ROCKER	4							
9	2	129004-11650	ARM ASSY, ROCKER	8							
10	3	129150-11230	SCREW, VALVE ADJUST	8							
12	3	129150-11750	NUT, M8	8							
13	2	26226-080182	STUD, M8X 18	3							
14	1	129150-11370	CAP, VALVE	8							
15	1	129601-11700	HEAD ASSY, CYLINDER	1							
20	2	27241-400000	PLUG, 40	2							
21	2	129100-11112	VALVE, EXHAUST	4							
22	2	129795-11120	SPRING, VALVE	8							
23	2	129004-11130	VALVE, SUCTION	4							
24	2	129795-11180	RETAINER, SPRING	8							
25	2	121400-11340	SEAL, VALVE STEM	4							
26	2	124460-11340	SEAL, VALVE STEM	4							
27	2	27310-080001	COTTER, 8	8							
29	1	120130-11860	GUIDE, VALVE	4							1
30	1	129150-11810	GUIDE, VALVE	4							1
31	1	119802-11870	PROTECTOR, NOZZLE	4							
32	1	119625-11880	SEAT, NOZZLE	4							
33	1	129004-11900	RETAINER, NOZZLE	4							
34	1	120270-54410	WASHER, INJECTOR	4							
35	1	22351-060012	PIN, SPRING 6.0X12	2							
36	1	26106-080252	BOLT, M8X 25 PLATED	3							
37	1	26106-080352	BOLT, M8X 35 PLATED	4							
38	1	26106-080502	BOLT, M8X 50 PLATED	7							
39	1	124160-01751	CAP, FILLER	1							
40	1	129601-11350	BONNET ASSY, HEAD	1							
41	2	129004-03010	PLATE, BAFFLE	1							
42	2	129150-03070	BAFFLE, BREATHER	1							
43	2	119802-03110	PLATE, DIAPHRAGM	1							
44	2	119802-03121	COVER, DIAPHRAGM	1							
45	2	119802-03130	DIAPHRAGM	1							
46	2	119802-03141	SPRING, DIAPHRAGM	1							
48	2	129601-11310	GASKET, BONNET	1							
49	2	22857-500100	SCREW, 5X10	4							
50	2	22857-500100	SCREW, 5X10	4							
51	1	124160-11360	KNOB	3							
52	1	24311-000120	O-RING, 1AP12.0	3							
53	1	24311-000320	O-RING, 1AP32.0	1							

Remarks
(1)Spare parts.

Fig.5. SUCTION MANIFOLD & AIR CLEANER



(A)=4TNV88-GGF
(B)=
(C)=

(D)=
(E)=
(F)=

No.	Lev.	Parts No.	Description	Q'ty					
				(A)	(B)	(C)	(D)	(E)	(F)
1	1	129601-03080	HOSE ASSY, BREATHER	1					
2	2	129410-03990	CLAMP, HOSE 21.5	2					
3	1	129601-12100	MANIFOLD, AIR INTAKE	1					
4	1	129407-12110	GASKET, MANIFOLD	1					
5	1	26106-080202	BOLT, M8X 20 PLATED	6					
6	1	26106-080802	BOLT, M8X 80 PLATED	1					
7	1	129120-77502	HEATER, AIR	1					
8	1	129150-77511	GASKET, AIR HEATER	1					
9	1	26106-080352	BOLT, 8 X 35	4					

Fig.6. EXHAUST MANIFOLD

(A)=4TNV88-GGF
(B)=
(C)=

(D)=
(E)=
(F)=

No.	Lev.	Parts No.	Description	Q'ty						I	R
				(A)	(B)	(C)	(D)	(E)	(F)		
1	1	129601-13109	MANIFOLD, EXHAUST	1							
2	1	129550-13110	GASKET, EXH.MANIFOLD	1							
3	1	123900-13610	BOLT, STUD M8X80	2							
4	1	129E00-13640	BOLT, M8X80 10.9T	6							
5	1	119131-18320	BOLT, STUD M8X22	4							
6	1	26306-080002	NUT, M8	2							

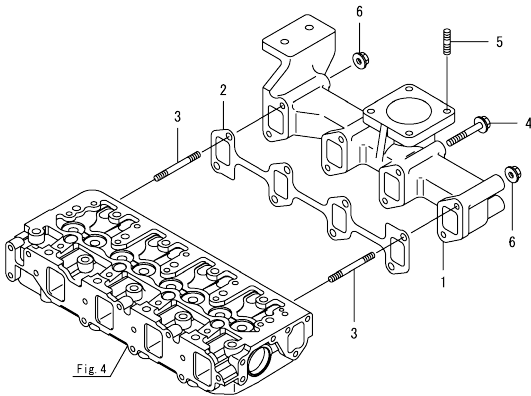
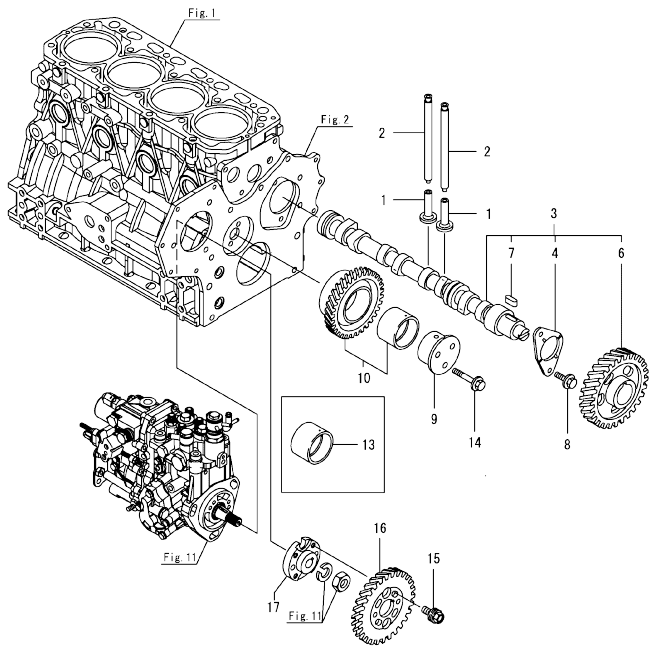


Fig.7. CAMSHAFT & DRIVING GEAR



(A)=4TNV88-GGF
(B)=
(C)=

(D)=
(E)=
(F)=

No.	Lev.	Parts No.	Description	Q'ty						I	R
				(A)	(B)	(C)	(D)	(E)	(F)		
1	1	129150-14200	TAPPET	8							
2	1	129150-14400	PUSH-ROD, L=178	8							
3	1	729601-14580	CAMSHAFT ASSY	1							
4	2	129150-02450	BEARING, THRUST	1							
6	2	129150-14101	GEAR, CAMSHAFT	1							
7	2	22512-070140	KEY, 7X 14	1							
8	1	26106-080142	BOLT, M8X 14 PLATED	2							
9	1	119802-25051	SHAFT, IDLE	1							
10	1	119802-25101	GEAR ASSY, IDLE	1							
13	1	119802-25071	BUSH, IDLE GEAR	1							1
14	1	26106-080402	BOLT, M8X 40 PLATED	3							
15	1	129150-25301	BOLT	4							
16	1	119802-25901	GEAR, PUMP	1							
17	1	158552-51151	FLANGE	1							

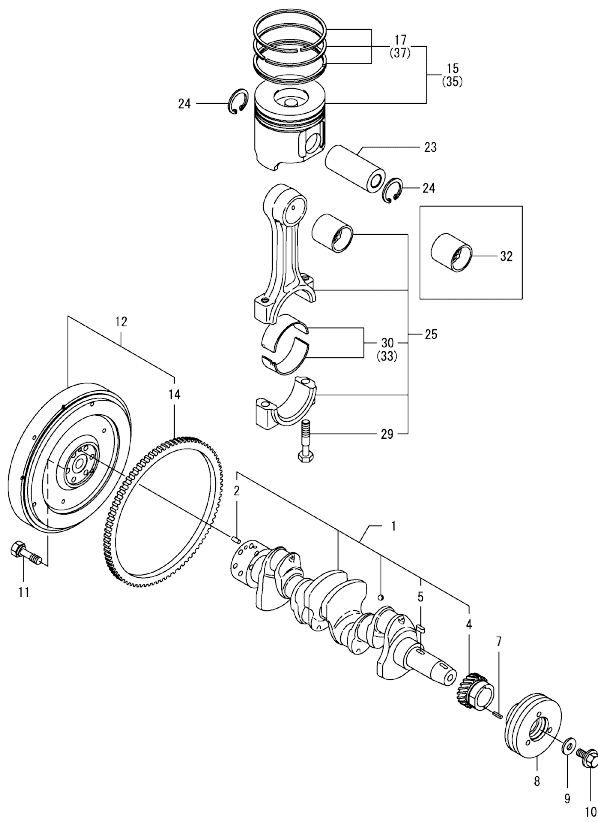
Remarks

(1)Spare parts.

Fig.8. CRANKSHAFT & PISTON

(A)=4TNV88-GGF
(B)=
(C)=

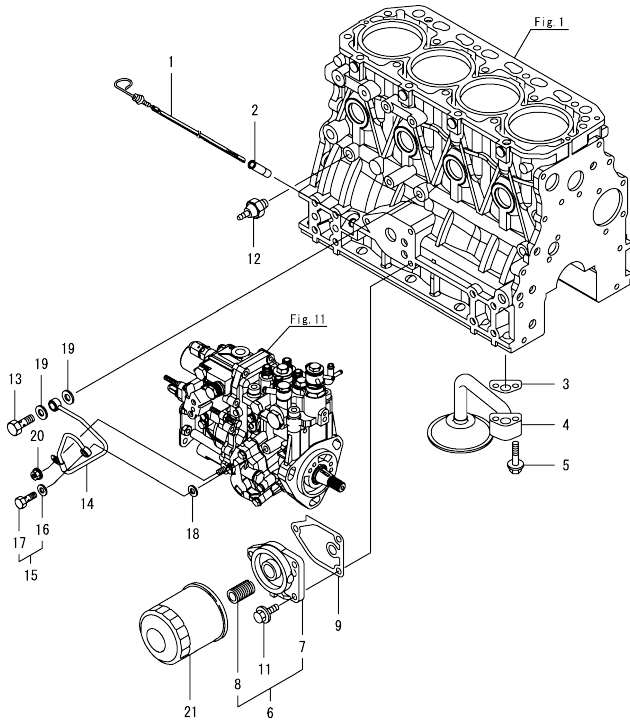
(D)=
(E)=
(F)=



No.	Lev.	Parts No.	Description	Q'ty						I	R
				(A)	(B)	(C)	(D)	(E)	(F)		
1	1	129601-21002	CRANKSHAFT ASSY	1							
2	2	129100-01580	PIN, PARALLEL 8X16	1							
4	2	119802-21202	GEAR, CRANKSHAFT	1							
5	2	22512-070140	KEY, 7X 14	1							
7	1	22351-030010	PIN, SPRING 3.0X10	1							
8	1	119802-21660	V-PULLEY, CRANK 120	1							
9	1	129795-21661	WASHER	1							
10	1	121850-21680	BOLT	1							
11	1	121111-21501	BOLT, FLYWHEEL	6							
12	1	171420-21590	FLYWHEEL ASSY	1							
14	2	124550-21600	GEAR, RING Z=127	1							
15	1	129005-22080	PISTON ASSY	4							
17	2	129005-22500	RING SET, PISTON	4							
23	1	129202-22300	PIN, PISTON D26 L70	4							
24	1	22252-000260	RING, 26	8							
25	1	729402-23100	ROD ASSY, CONNECTING	4							
29	2	121550-23200	BOLT, CONNECTING ROD	8							
30	2	129150-23601	BEARING, CRANK PIN	4							
32	1	129100-23910	BEARING, PISTON PIN	4							1
33	1	129150-23611	BEARING, 0.25 US	4							2
35	1	129005-22900	PISTON ASSY, 0.25 OS	4							3
37	2	129005-22950	RING SET, 0.25 OS	4							3

Remarks
(1) Spare parts.
(2) Over-sized (O.S.=0.25) parts.
(3) Under-sized (U.S.=0.25) parts.

Fig.9. LUB. OIL SYSTEM

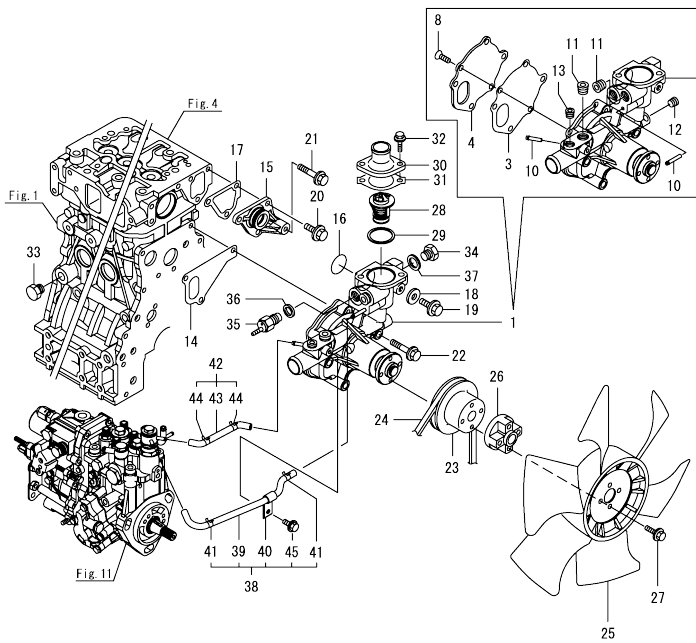


(A)=4TNV88-GGF
(B)=
(C)=

(D)=
(E)=
(F)=

No.	Lev.	Parts No.	Description	Q'ty						I	R
				(A)	(B)	(C)	(D)	(E)	(F)		
1	1	129004-34802	DIPSTICK	1							
2	1	121520-34810	GUIDE, DIPSTICK	1							
3	1	129150-35042	GASKET	1							
4	1	129436-35070	PIPE ASSY, OIL INLET	1							
5	1	26106-080552	BOLT, M8X 55 PLATED	2							
6	1	119802-35100	BRACKET ASSY, FILTER	1							
7	2	119802-35110	BRACKET, FILTER	1							
8	2	129100-35140	BOLT, STUD	1							
9	1	129150-35111	GASKET	1							
11	1	26106-080202	BOLT, M8X 20 PLATED	3							
12	1	114250-39450	SWITCH, HYDRAULIC	1							
13	1	124160-39140	BOLT, PIPE JOINT M10	1							
14	1	119802-39450	PIPE ASSY, OIL	1							
15	1	129005-59830	BOLT ASSY, JOINT M8	1							
16	2	22190-080002	WASHER, SEAL 6	1							
17	2	23857-030000	BOLT, JOINT 3	1							
18	1	22190-080002	WASHER, SEAL 6	1							
19	1	22190-100002	WASHER, SEAL 10	2							
20	1	26366-060002	NUT, M6	1							
21	1	119005-35151	FILTER, D80X100	1							

Fig.10. COOLING WATER SYSTEM

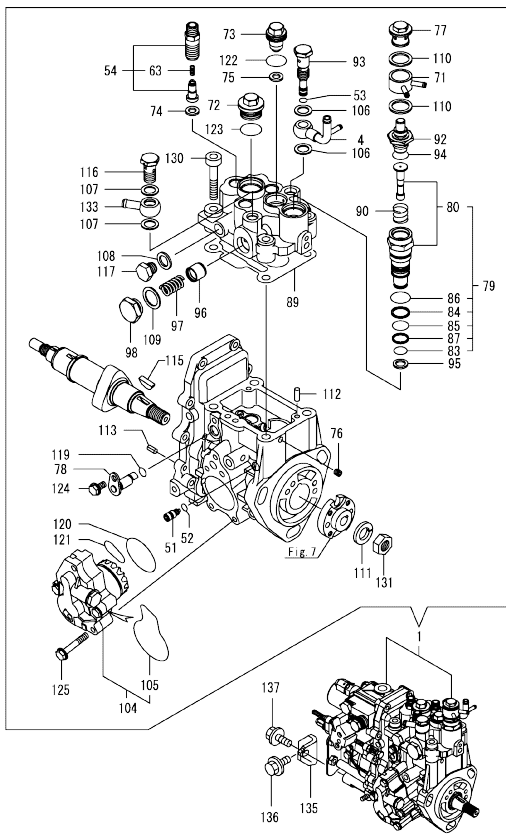


(A)=4TNV88-GGF
(B)=
(C)=

(D)=
(E)=
(F)=

No.	Lev.	Parts No.	Description	Q'ty						I	R
				(A)	(B)	(C)	(D)	(E)	(F)		
1	1	129004-42001	PUMP ASSY, WATER	1							
3	2	129100-42051	GASKET, WATER PUMP	1							
4	2	129100-42121	PLATE, PUMP	1							
8	2	26577-060142	SCREW, 6 X 14	3							
10	2	119802-49113	JOINT, PIPE	2							
11	2	129916-49740	PLUG, DRAIN R03	2							
12	2	23875-020000	PLUG, R02	1							
13	2	23876-010000	PLUG, R01	1							
14	1	129486-42021	GASKET, WATER PUMP	1							
15	1	129004-42040	JOINT	1							
16	1	129486-42140	O-RING, G30	1							
17	1	124395-49840	GASKET, THERMOSTAT	1							
18	1	23414-080000	GASKET, 8X1.0	1							
19	1	26106-080122	BOLT, M8X 12 PLATED	1							
20	1	26106-080162	BOLT, M8X 16 PLATED	3							
21	1	26106-080452	BOLT, M8X 45 PLATED	1							
22	1	26106-080602	BOLT, M8X 60 PLATED	3							
23	1	129155-42350	V-PULLEY, C.W.PUMP	1							
24	1	129612-42290	V-BELT, A37.5	1							
25	1	129612-44700	FAN, COOLING	1							
26	1	121267-44760	SPACER, FAN	1							
27	1	26106-060302	BOLT, M6X 30 PLATED	4							
28	1	129155-49801	THERMOSTAT, 71C	1							
29	1	129150-49811	GASKET, THERMOSTAT	1							
30	1	129350-49530	COVER, THERMOSTAT	1							
31	1	129795-49551	GASKET	1							
32	1	26106-080222	BOLT, M8X 22 PLATED	2							
33	1	171056-49120	PLUG, DRAIN R1/4	1							
34	1	121450-42450	PLUG, M16	1							
35	1	121250-44901	SWITCH, THERMO 110	1							
36	1	124465-44950	GASKET, 16	1							
37	1	124465-44950	GASKET, 16	1							
38	1	129004-49610	HOSE ASSY, WATER	1							
39	2	129004-49711	HOSE, WATER	1							
40	2	119802-49730	RETAINER, PIPE	1							
41	2	124722-59050	CLAMP, HOSE 9	2							
42	1	129004-49620	HOSE ASSY, WATER	1							
43	2	129004-49721	HOSE, WATER	1							
44	2	124722-59050	CLAMP, HOSE 9	2							
45	1	26106-060122	BOLT, 6 X 12	1							

Fig.11. FUEL INJECTION PUMP



(A)=4TNV88-GGF
(B)=
(C)=

(D)=
(E)=
(F)=

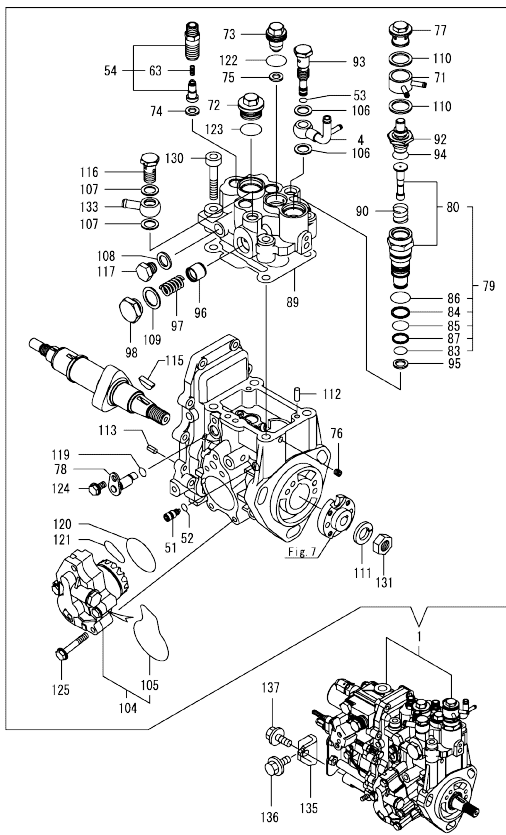
No.	Lev.	Parts No.	Description	Q'ty						I	R	
				(A)	(B)	(C)	(D)	(E)	(F)			
1	1	729647-51310	FIE ASSY	1							1	
4	2	158552-51670	JOINT, OVER FLOW	1								
51	3	158600-51270	STOPPER, TAPPET	1								
52	3	158563-51281	O-RING, 4D S6	1								
53	3	158563-51281	O-RING, 4D S6	1								
54	2	129509-51390	SET, DELIVERY	4								
63	3	158563-51330	SPRING, DELIVERY	4								
71	3	158553-51551	JOINT, COOLING WATER	1								
72	3	158601-51550	PLUG, M22	1								
73	3	119802-51560	PLUG, M14	1								
74	3	158552-51571	GASKET, PLUG	4								
75	3	158552-51571	GASKET, PLUG	1								
76	3	158557-51570	PLUG, RACK	1								
77	3	158601-51570	PLUG	1								
78	3	158552-51580	LIFTER, LINK	1								
79	3	119802-51590	TIMER ASSY	1								
80	4	119802-51600	TIMER ASSY	1								
83	4	158553-51670	O-RING	1								
84	4	119802-51680	RING, BACKUP	1								
85	4	119802-51690	O-RING	1								
86	4	24356-190200	O-RING, 4D19020	1								
87	4	24372-000150	RING, BACK UP T2P15	1								
89	3	158552-51600	GASKET	1								
90	3	158553-51630	SPRING, TIMER	1								
92	3	158553-51640	THERMOELEMENT	1								
93	3	158601-51650	JOINT, OVER FLOW	1								
94	3	158553-51660	O-RING, P14	1								
95	3	158553-51680	GASKET, TIMER	1								
96	3	158601-51770	PISTON, ACCUMULATOR	1								
97	3	158552-51781	SPRING, ACCUMULATOR	1								
98	3	158601-51790	PLUG	1								
104	3	158552-52100	PUMP ASSY, FUEL FEED	1								
105	3	158552-52500	O-RING	1								
106	3	22190-120002	WASHER, SEAL 12	2								
107	3	22190-120002	WASHER, SEAL 12	2								
108	3	22190-120002	WASHER, SEAL 12	1								
109	3	22190-180002	WASHER, SEAL 18	1								
110	3	22190-180002	WASHER, SEAL 18	2								
111	3	22217-140000	WASHER, SPRING 14	1								
112	3	22312-050140	PIN, PARALLEL 5X14	2								
113	3	22351-050010	PIN, SPRING 5.0X10	2								
115	3	119802-51090	FEATHER KEY, 4X16	1								
116	3	23857-060000	BOLT, JOINT 6	1								
117	3	158553-51930	PLUG, M12	1								
119	3	24311-000070	O-RING, 1AP7.0	1								
120	3	158552-52311	O-RING(FEED PUMP)	1								
121	3	158552-52400	O-RING, 4E S42	1								
122	3	24356-190180	O-RING, 4D19018	1								
123	3	24356-190200	O-RING, 4D19020	1								
124	3	26106-060102	BOLT, M6X 10 PLATED	1								
125	3	158553-51770	BOLT	4								

Remarks

(1)Governor(Fig.12) is incorporated in this Fuel Injection Pump(No.1).

N:Old $\frac{REV}{REV}$ New, Q:Old $\frac{REV}{REV}$ New, R:Old $\frac{REV}{REV}$ New, S:Old $\frac{REV}{REV}$ New, W:Add, Z:Discontinued, F:Interchangeable by set, K:Q'ty Change
 ++ CONTINUE ++
 Copyright (C) 2016 YANMAR CO., LTD. All Rights Reserved.

Fig.11. FUEL INJECTION PUMP



(A)=4TNV88-GGF
(B)=
(C)=

(D)=
(E)=
(F)=

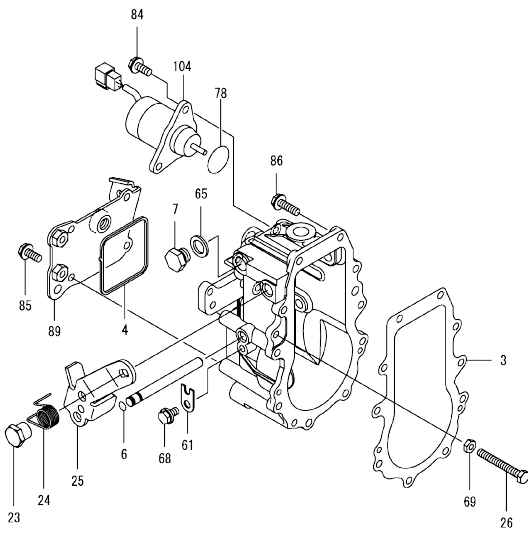
No.	Lev.	Parts No.	Description	Q'ty					
				(A)	(B)	(C)	(D)	(E)	(F)
130	3	26450-080452	BOLT, M8X 45	4					
131	3	26776-140002	NUT, LOCK M14	1					
133	3	129916-59020	JOINT, PIPE 12	1					
135	1	129601-51250	RETAINER, PUMP	1					
136	1	26106-080162	BOLT, M8X 16 PLATED	1					
137	1	26106-080202	BOLT, M8X 20 PLATED	1					

Remarks

(1)Governor(Fig.12) is incorporated in this Fuel Injection Pump(No.1).

OCD50-M02490 ENGINE
 Fig.12. GOVERNOR

OCD50-M02490 Fig.12



(A)=4TNV88-GGF
 (B)=
 (C)=

(D)=
 (E)=
 (F)=

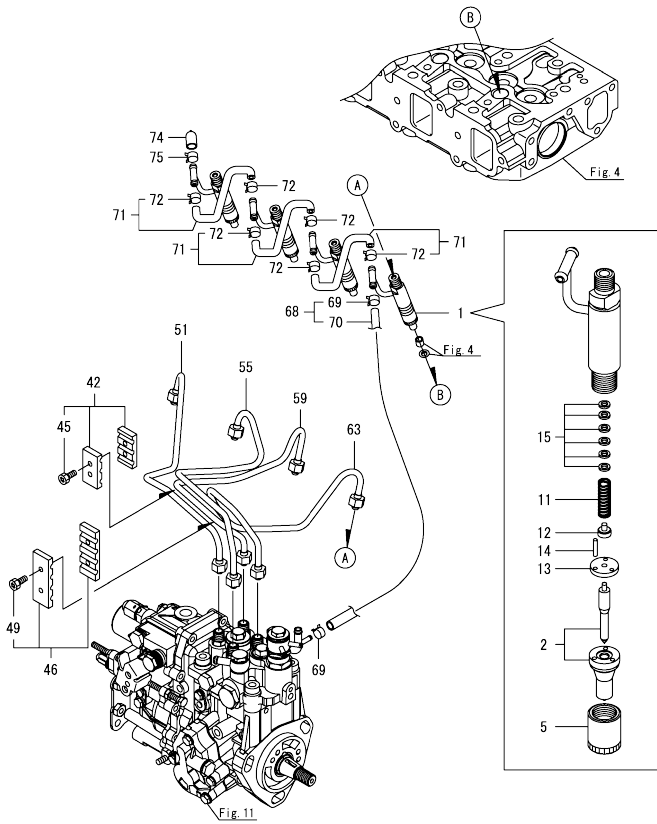
No.	Lev.	Parts No.	Description	Q'ty						I	R
				(A)	(B)	(C)	(D)	(E)	(F)		
3	2	158553-61050	GASKET	1							
4	2	158553-61070	GASKET	1							
6	2	129155-51280	O-RING, S6	1							
7	2	158553-51930	PLUG, M12	1							
23	2	129255-61410	NUT, M8	1							
24	2	119807-61420	SPRING, RETURN	1							
25	2	129246-61441	LEVER, REGULATOR	1							
26	2	129155-61460	BOLT, LIMITING	1							
61	2	119660-61901	STOPPER, SHAFT	1							
65	2	22190-120002	WASHER, SEAL 12	1							
68	2	26106-060102	BOLT, M6X 10 PLATED	1							
69	2	26756-060002	NUT, LOCK M6	1							
78	2	158552-61900	O-RING	1							
84	2	26106-060142	BOLT, M6X 14 PLATED	2							
85	2	26106-060142	BOLT, M6X 14 PLATED	4							
86	2	26106-060202	BOLT, M6X 20 PLATED	10							
89	2	129246-61061	COVER, GOVERNOR CASE	1							
104	2	129630-77910	SOLENOID, STOP	1							

Remarks

* This figure(Governor) is incorporated in the Fuel Injection Pump(Fig.11).

N:Old $\frac{100}{100}$ New, Q:Old $\frac{100}{100}$ New, R:Old $\frac{100}{100}$ New, S:Old $\frac{100}{100}$ New, W:Add, Z:Discontinued, F:Interchangeable by set, K:Q'ty Change
 Copyright (C) 2016 YANMAR CO., LTD. All Rights Reserved.

Fig.13. FUEL INJECTION VALVE



(A)=4TNV88-GGF
(B)=
(C)=

(D)=
(E)=
(F)=

No.	Lev.	Parts No.	Description	Q'ty						I	R
				(A)	(B)	(C)	(D)	(E)	(F)		
1	1	729246-53101	FUEL INJECTOR ASSY	4							
2	2	129246-53001	NOZZLE ASSY, F.I.	4							
5	2	114250-53080	NUT, NOZZLE	4							
11	2	114250-53120	SPRING, NOZZLE	4							
12	2	114250-53130	SEAT, SPRING	4							
13	2	114250-53140	SPACER	4							
14	2	114250-53210	PIN	8							
15	2	119803-53400	SHIM SET	4							
42	1	129150-59120	RETAINER, PIPE	1							
45	2	129150-59131	BOLT, M4X14	2							
46	1	129550-59120	RETAINER, PIPE	1							
49	2	129150-59131	BOLT, M4X14	2							
51	1	129601-59810	PIPE ASSY, INJECTION	1							
55	1	129601-59820	PIPE ASSY, INJECTION	1							
59	1	129601-59830	PIPE ASSY, INJECTION	1							
63	1	129601-59840	PIPE ASSY, INJECTION	1							
68	1	119802-59550	HOSE ASSY, RETURN	1							
69	2	124722-59050	CLAMP, HOSE 9	2							
70	2	119802-59560	HOSE, FUEL RETURN	1							
71	1	129486-59551	HOSE ASSY, RETURN	3							
72	2	124722-59050	CLAMP, HOSE 9	6							
74	1	119593-59581	CAP	1							
75	1	124060-77680	CLAMP, HOSE 10	1							

Fig.14. FUEL FILTER

(A)=4TNV88-GGF
(B)=
(C)=

(D)=
(E)=
(F)=

No.	Lev.	Parts No.	Description	Q'ty					
				(A)	(B)	(C)	(D)	(E)	(F)
1	1	129004-55612	BRACKET, FILTER	1					
2	1	129907-55801	FILTER, FUEL	1					
3	1	26106-080302	BOLT, M8X 30 PLATED	2					
4	1	129210-59090	HOSE ASSY, FUEL	1					
5	2	124766-59050	CLAMP, HOSE 11.5	2					
6	2	105325-59570	PIPE, FUEL	1					
7	1	129210-59150	HOSE ASSY, FUEL	1					
8	2	124766-59050	CLAMP, HOSE 11.5	2					
9	2	105025-59530	HOSE, FUEL D13X400	1					

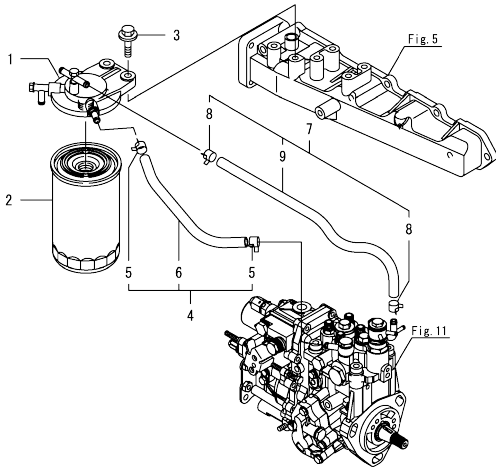
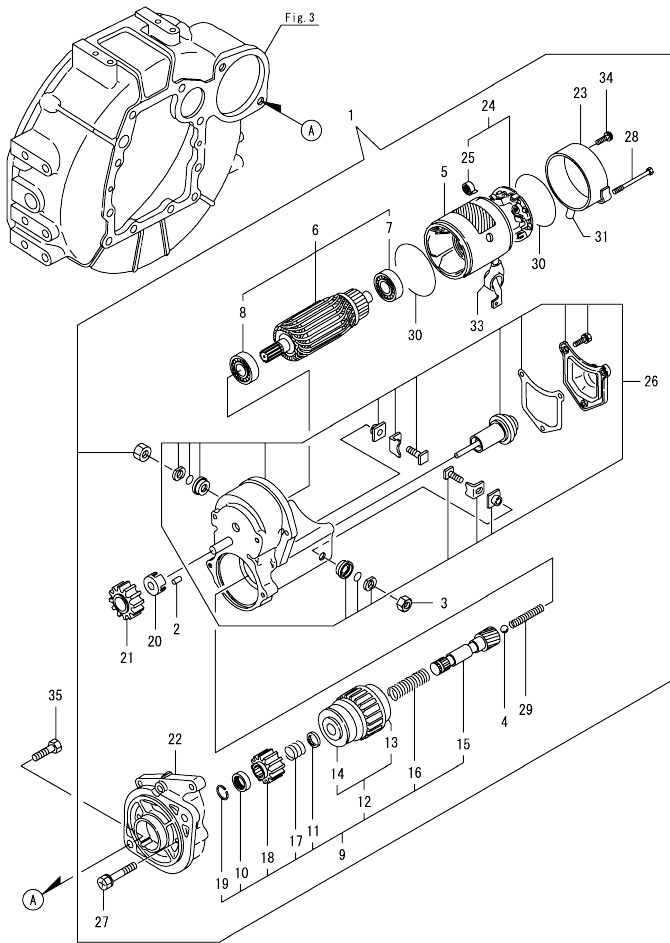


Fig.15. STARTER MOTOR

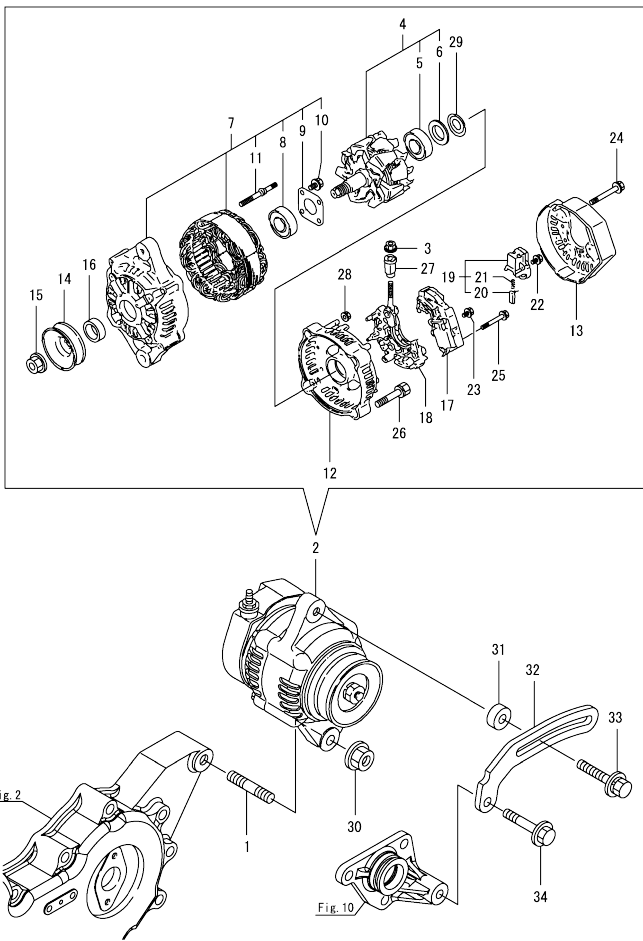


(A)=4TNV88-GGF
(B)=
(C)=

(D)=
(E)=
(F)=

No.	Lev.	Parts No.	Description	Q'ty						I	R
				(A)	(B)	(C)	(D)	(E)	(F)		
1	1	129407-77010	STARTER ASSY	1							
2	2	X0283060061	ROLLER	5							
3	2	X9490561370	NUT	1							
4	2	X9491200240	BALL, STEEL	1							
5	2	129407-77210	YOKE ASSY	1							
6	2	129407-77220	ARMATURE ASSY	1							
7	3	129129-77230	BEARING, BALL	1							
8	3	129129-77240	BEARING, BALL	1							
9	2	129407-77250	STARTER ASSY	1							
10	3	X0280210230	NUT	1							
11	3	X0283270140	RETAINER	1							
12	3	129407-77390	CLUTCH ASSY	1							
13	4	129129-77440	BEARING, BALL	1							
14	4	129129-77450	BEARING, BALL	1							
15	3	129129-77400	SHAFT, STATER	1							
16	3	129129-77410	SPRING	1							
17	3	129407-77410	SPRING, COIL	1							
18	3	129129-77420	PINION, STARTER	1							
19	3	129129-77430	RING, SNAP	1							
20	2	129129-77260	RETAINER	1							
21	2	129129-77270	PINION	1							
22	2	129407-77280	HOUSING, STARTOR	1							
23	2	129129-77290	FRAME, STARTER END	1							
24	2	129407-77300	HOLDER ASSY	1							
25	3	X9491730461	SPRING	4							
26	2	129407-77310	SWITCH ASSY, MAGNET	1							
27	2	129129-77320	BOLT	2							
28	2	129407-77330	BOLT	2							
29	2	129129-77340	SPRING	1							
30	2	129129-77350	O-RING	2							
31	2	129129-77362	COVER	1							
33	2	129129-77380	CAP	1							
34	2	129129-77460	SCREW	2							
35	1	26116-120252	BOLT, M12X 25 PLATED	2							

Fig.16. GENERATOR



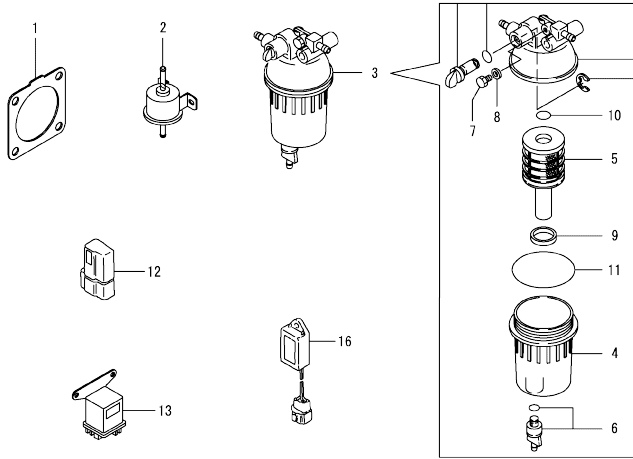
(A)=4TNV88-GGF
(B)=
(C)=

(D)=
(E)=
(F)=

No.	Lev.	Parts No.	Description	Q'ty						I	R
				(A)	(B)	(C)	(D)	(E)	(F)		
1	1	129795-01900	BOLT, STUD M10X33	1							
2	1	129423-77200	GENERATOR ASSY, 40A	1							
3	2	X9490561001	NUT	1							
4	2	119620-77380	ROTOR ASSY	1							
5	3	123501-79240	BEARING, BALL	1							
6	3	119620-79250	COVER, BEARING	1							
7	2	119620-77421	FRAME ASSY,GENERATOR	1							
8	3	119620-79200	BEARING, BALL	1							
9	3	119620-79210	RETAINER	1							
10	3	119620-79220	SCREW	4							
11	3	119620-79230	BOLT, STUD	2							
12	2	119620-77440	FRAME ASSY	1							
13	2	129240-79300	COVER	1							
14	2	119620-77461	PULLEY, GENERATOR	1							
15	2	119620-77471	NUT	1							
16	2	119620-77490	COLLAR	1							
17	2	129423-77710	REGULATOR ASSY	1							
18	2	119620-79260	HOLDER	1							
19	2	129052-79270	HOLDER, BRUSH	1							
20	3	119620-77480	BRUSH	2							
21	3	119620-79280	SPRING	2							
22	2	119620-79290	SCREW	6							
23	2	119620-79300	SCREW	1							
24	2	119620-79310	BOLT	3							
25	2	119620-79320	SCREW	2							
26	2	119620-79330	BOLT	2							
27	2	119620-79340	BUSH, INSULATION	1							
28	2	119620-79350	NUT	2							
29	2	119620-79360	WASHER, THRUST	1							
30	1	26306-100002	NUT, M10	1							
31	1	119940-77270	SPACER	1							
32	1	119940-77330	ADJUSTER, BELT	1							
33	1	129972-77341	BOLT, ADJUST L=50	1							
34	1	26106-080452	BOLT, M8X 45 PLATED	1							

OCD50-M02490 ENGINE
 Fig.17. ACCESSORY

OCD50-M02490 Fig.17



(A)=4TNV88-GGF
 (B)=
 (C)=

(D)=
 (E)=
 (F)=

No.	Lev.	Parts No.	Description	Q'ty						I	R
				(A)	(B)	(C)	(D)	(E)	(F)		
1	1	129930-13201	GASKET, SILENCER	1							
2	1	119225-52102	PUMP, FUEL FEED	1							
3	1	129242-55701	SEPARATOR ASSY	1							
4	2	129242-55720	CUP(CLEAR	1							
5	2	129242-55730	ELEMENT	1							
6	2	129242-55740	PLUG, DRAIN	1							
7	2	129242-55750	PLUG, BREATHER	1							
8	2	129242-55760	PACKING, BREATHER	1							
9	2	129242-55770	FLOAT	1							
10	2	24311-000160	PACKING, P 16.0	1							
11	2	24321-000750	PACKING, G 75.0	1							
12	1	119643-66900	DIODE	1							
13	1	119650-77911	RELAY ASSY, GLOW	1							
16	1	129211-77920	TIMER, SECTION 1	1							

Parts No. Index

Parts No.	Fig. No.	Ref. No.
105025-59530	14	9
105325-59570	14	6
114250-39450	9	12
114250-53080	13	5
114250-53120	13	11
114250-53130	13	12
114250-53140	13	13
114250-53210	13	14
119005-35151	9	21
119131-18320	6	5
119225-52102	17	2
119593-59581	13	74
119609-32040	2	11
119620-01750	3	3
119620-77380	16	4
119620-77421	16	7
119620-77440	16	12
119620-77461	16	14
119620-77471	16	15
119620-77480	16	20
119620-77490	16	16
119620-79200	16	8
119620-79210	16	9
119620-79220	16	10
119620-79230	16	11
119620-79250	16	6
119620-79260	16	18
119620-79280	16	21
119620-79290	16	22
119620-79300	16	23
119620-79310	16	24
119620-79320	16	25
119620-79330	16	26
119620-79340	16	27
119620-79350	16	28
119620-79360	16	29
119625-11880	4	32
119640-01640	3	8
119643-66900	17	12
119650-77911	17	13
119660-61901	12	61
119802-01520	2	6
119802-01561	2	7
119802-03110	4	43
119802-03121	4	44
119802-03130	4	45
119802-03141	4	46
119802-11260	4	6
119802-11270	4	7
119802-11870	4	31

Parts No.	Fig. No.	Ref. No.
119802-21202	8	4
119802-21660	8	8
119802-25051	7	9
119802-25071	7	13
119802-25101	7	10
119802-25901	7	16
119802-32070	2	13
119802-32100	2	12
119802-32111	2	17
119802-32120	2	18
119802-32130	2	19
119802-35100	9	6
119802-35110	9	7
119802-39450	9	14
119802-49113	10	10
119802-49730	10	40
119802-51090	11	115
119802-51560	11	73
119802-51590	11	79
119802-51600	11	80
119802-51680	11	84
119802-51690	11	85
119802-59550	13	68
119802-59560	13	70
119803-53400	13	15
119807-61420	12	24
119934-01800	2	5
119940-77270	16	31
119940-77330	16	32
120130-11860	4	29
120270-54410	4	34
121023-01551	2	27
121111-21501	8	11
121250-44901	10	35
121267-44760	10	26
121400-11340	4	25
121450-42450	10	34
121520-34810	9	2
121550-23200	8	29
121850-21680	8	10
121850-51960	2	20
123501-79240	16	5
123900-13610	6	3
124060-01050	1	11
124060-77680	13	75
124160-01751	2	8
	4	39
124160-01910	1	12
		13
124160-11360	4	51

Parts No.	Fig. No.	Ref. No.
124160-39140	9	13
124240-01871	2	9
124395-49840	10	17
124460-11340	4	26
124465-44950	10	36
		37
124550-21600	8	14
124722-59050	10	41
		44
	13	69
		72
124766-59050	14	5
		8
129001-01250	1	4
129001-02931	1	30
129001-32330	2	16
129004-01190	1	27
129004-03010	4	41
129004-11130	4	23
129004-11650	4	9
129004-11900	4	33
129004-34802	9	1
129004-42001	10	1
129004-42040	10	15
129004-49610	10	38
129004-49620	10	42
129004-49711	10	39
129004-49721	10	43
129004-55612	14	1
129005-22080	8	15
129005-22500	8	17
129005-22900	8	35
129005-22950	8	37
129005-59830	9	15
129052-79270	16	19
129100-01580	3	1
		14
	8	2
129100-11112	4	21
129100-23910	8	32
129100-35140	9	8
129100-42051	10	3
129100-42121	10	4
129120-77502	5	7
129129-77230	15	7
129129-77240	15	8
129129-77260	15	20
129129-77270	15	21
129129-77290	15	23
129129-77320	15	27

Parts No.	Fig. No.	Ref. No.
129129-77340	15	29
129129-77350	15	30
129129-77362	15	31
129129-77380	15	33
129129-77400	15	15
129129-77410	15	16
129129-77420	15	18
129129-77430	15	19
129129-77440	15	13
129129-77450	15	14
129129-77460	15	34
129150-01200	1	28
129150-02020	1	6
129150-02450	7	4
129150-02871	1	33
129150-02931	1	24
129150-02941	1	36
129150-03070	4	42
129150-11230	4	10
129150-11280	4	8
129150-11370	4	14
129150-11750	4	12
129150-11810	4	30
129150-14101	7	6
129150-14200	7	1
129150-14400	7	2
129150-23601	8	30
129150-23611	8	33
129150-25301	7	15
129150-35042	9	3
129150-35111	9	9
129150-49811	10	29
129150-59120	13	42
129150-59131	13	45
		49
129150-77511	5	8
129155-42350	10	23
129155-49801	10	28
129155-51280	12	6
129155-61460	12	26
129202-22300	8	23
129210-59090	14	4
129210-59150	14	7
129211-77920	17	16
129240-79300	16	13
129242-55701	17	3
129242-55720	17	4
129242-55730	17	5
129242-55740	17	6
129242-55750	17	7

Parts No. Index

Parts No.	Fig. No.	Ref. No.
129242-55760	17	8
129242-55770	17	9
129246-53001	13	2
129246-61061	12	89
129246-61441	12	25
129255-61410	12	23
129350-49530	10	30
129400-01730	3	6
129407-01340	1	29
129407-12110	5	4
129407-77010	15	1
129407-77210	15	5
129407-77220	15	6
129407-77250	15	9
129407-77280	15	22
129407-77300	15	24
129407-77310	15	26
129407-77330	15	28
129407-77390	15	12
129407-77410	15	17
129410-03990	5	2
129418-32320	2	15
129423-77200	16	2
129423-77710	16	17
129436-35070	9	4
129486-01670	3	18
129486-42021	10	14
129486-42140	10	16
129486-59551	13	71
129509-51390	11	54
129550-13110	6	2
129550-59120	13	46
129601-03080	5	1
129601-11241	4	3
129601-11251	4	4
129601-11310	4	48
129601-11350	4	40
129601-11700	4	15
129601-12100	5	3
129601-13109	6	1
129601-21002	8	1
129601-51250	11	135
129601-59810	13	51
129601-59820	13	55
129601-59830	13	59
129601-59840	13	63
129612-42290	10	24
129612-44700	10	25
129630-77910	12	104
129648-01600	3	15

Parts No.	Fig. No.	Ref. No.
129648-01780	3	17
129688-01780	3	7
129795-01900	16	1
129795-01950	2	10
129795-02412	1	9
129795-11120	4	22
129795-11180	4	24
129795-21661	8	9
129795-49551	10	31
129900-07900	4	1
129900-32130	2	14
129907-55801	14	2
129916-49740	10	11
129916-59020	11	133
129930-13201	17	1
129972-77341	16	33
129E00-13640	6	4
158552-51151	7	17
158552-51571	11	74
		75
		78
158552-51580	11	89
158552-51600	11	4
158552-51670	11	97
158552-51781	11	104
158552-52100	11	120
158552-52311	11	121
158552-52400	11	105
158552-52500	11	78
158552-61900	12	71
158553-51551	11	90
158553-51630	11	92
158553-51640	11	94
158553-51660	11	83
158553-51670	11	95
158553-51680	11	125
158553-51770	11	117
158553-51930	12	7
		3
158553-61050	12	4
158553-61070	11	76
158557-51570	11	52
158563-51281	11	53
		63
158563-51330	11	51
158600-51270	11	72
158601-51550	11	77
158601-51570	11	93
158601-51650	11	96
158601-51770	11	98
158601-51790	11	

Parts No.	Fig. No.	Ref. No.
171051-01921	1	5
171056-49120	10	33
171420-01600	3	2
171420-21590	8	12
22190-080002	9	16
		18
		19
22190-100002	9	19
22190-120002	11	106
		107
		108
		12
		65
22190-180002	11	109
		110
		3
22190-220002	3	10
22217-140000	11	111
22252-000260	8	24
22312-050140	11	112
22351-030010	8	7
22351-050010	11	113
22351-060012	4	35
22512-070140	7	7
		8
		5
22857-500100	4	49
		50
		10
23414-080000	10	18
23857-030000	9	17
23857-060000	11	116
23875-020000	10	12
23876-010000	10	13
23876-030000	2	3
23876-040000	2	4
24311-000070	11	119
24311-000120	4	52
24311-000160	17	10
24311-000320	2	21
		4
		53
		17
		11
24321-000750	17	11
24341-000240	2	28
24356-190180	11	122
24356-190200	11	86
		123
24372-000150	11	87
26106-060102	11	124
		12
		68
26106-060122	10	45
26106-060142	12	84
		85
		29
26106-060162	2	29
26106-060202	12	86
26106-060302	10	27

Parts No.	Fig. No.	Ref. No.
26106-080122	10	19
26106-080142	7	8
26106-080162	2	22
		23
		3
		11
		4
		2
		10
		20
		11
		136
26106-080202	5	5
		9
		11
		11
		137
26106-080222	10	32
26106-080252	3	12
		4
		36
26106-080302	14	3
26106-080352	3	19
		4
		37
		5
		9
26106-080402	7	14
26106-080452	3	13
		10
		21
		16
		34
26106-080502	3	20
		4
		38
26106-080552	2	24
		9
		5
26106-080602	10	22
26106-080802	5	6
26106-080852	2	25
26116-120252	15	35
26206-100252	3	4
26206-100302	3	5
26226-080182	4	13
26306-080002	2	26
		6
		6
26306-100002	16	30
26366-060002	9	20
26450-080452	11	130
26577-060142	10	8
26756-060002	12	69
26776-140002	11	131
27241-120000	1	14
27241-300000	1	10
27241-400000	4	20
27310-080001	4	27
719802-01500	2	1
729246-53101	13	1
729402-23100	8	25
729601-14580	7	3
729602-01560	1	1

Parts No. Index

Parts No.	Fig. No.	Ref. No.
729647-51310	11	1
X0280210230	15	10
X0283060061	15	2
X0283270140	15	11
X9490561001	16	3
X9490561370	15	3
X9491200240	15	4
X9491730461	15	25

Parts No.	Fig. No.	Ref. No.
-----------	----------	----------

Parts No.	Fig. No.	Ref. No.
-----------	----------	----------

Parts No.	Fig. No.	Ref. No.
-----------	----------	----------