

0CV10-M86600EN

Directions for the Parts Catalog.

1. This Parts Catalog shows both standard and optional parts.
2. Parts may change without prior notice.
3. The following is an example of the Parts Catalog format.

REF.	LEV.	PARTS NO.	DESCRIPTION	Q'TY						I	R
				(A)	(B)	(C)	(D)	(E)	(F)		
1	1	729595-51390	FUEL INJECTION PUMP	1	1	1	1	1			1
1-1	1	729595-51391	FUEL INJECTION PUMP	1	1	1	1	1		N	1
		(A=E00185) (B=E00200)									
3	2	26022-060162	SCREW M 6X 16	9	9	9	9	9			
3-1	2	26022-060162	SCREW M 6X 16	4	4	4	4	4		K	
		(A=E00156) (B=E00156) (C=E00156) (D=E00156) (E=E00156)									
4	2	129470-51040	CAMSHAFT	1	1	1	1	1			
5	2	122710-51050	BEARING, ROLLER	2	2	2	2	2			
6	2	129470-51060	RETAINER	1	1	1	1	1			

Remarks
(1) BOOST COMPEMSATOR TYPE. OPTIONAL PART, TO E00155,(4JH-DT, 4JH-DTZ

① Ref. No.

The Ref. No. listed may not be in accordance with the illustration Ref. No.

(Ex.) Illustration No.

List Ref No.

1 1 (Before change) → 1-1 (After change)

For interchangeable symbols N, R and K, illustrations for new parts may be abbreviated.

② Lev. (Level)

Level indication

The numbers below indicate the level of relativity towards the main part.

1 ---- Main parts (Assembly parts)

2 ---- Sub component included in " 1 ".

3 ---- Sub component included in " 2 ".

Note) Parts that are not for sale are partially illustrated but not listed.

③ Interchangeability Symbol

When a part change takes place, one of the following interchangeability symbols is indicated beside the part.

Symbol	Interchangeability	Contents note
N	Old $\begin{matrix} \leftarrow \text{Yes} \\ \text{No} \rightarrow \end{matrix}$ New	New Part is interchangeable for Old Part but Old Part is not interchangeable for New Part.
Q	Old $\begin{matrix} \leftarrow \text{No} \\ \text{Yes} \rightarrow \end{matrix}$ New	New Part is not interchangeable for Old Part but Old Part is interchangeable for New Part.
R	Old $\begin{matrix} \leftarrow \text{Yes} \\ \text{Yes} \rightarrow \end{matrix}$ New	New/ Old Parts are both interchangeable.
S	Old $\begin{matrix} \leftarrow \text{No} \\ \text{No} \rightarrow \end{matrix}$ New	New/ Old Parts are both not interchangeable.
W		Part newly added.
Z		Part discontinued.
F		Not interchangeable by a single part but interchangeable together with related parts.
K		Changes only for used parts quantities.

④ Effective Machine No.

When a part changes, the effective Machine No. will be indicated in the (A)-(F) column.

Product Symbol	Product No.	Product Symbol	Product No.
C	Clutch No. Compressor No.	F	Machine No. (Agricultural Equip.)
D	Drive No.	M	Machine No.
E	Engine No.		

Note 1) A date may follow the symbol. (Ex.) 1996.01

Note 2) "XXXXX" and "ZZZZZ" are for parts that could not be predicted or for engine models that could not be identified.

Note 3) (A=E00185) is the E (Engine Serial Number) for the column (A) model (in this case 4JH-DT) after the parts design change.

⑤ Remarks

Figures or alphabets (symbols) are entered in the remarks column.

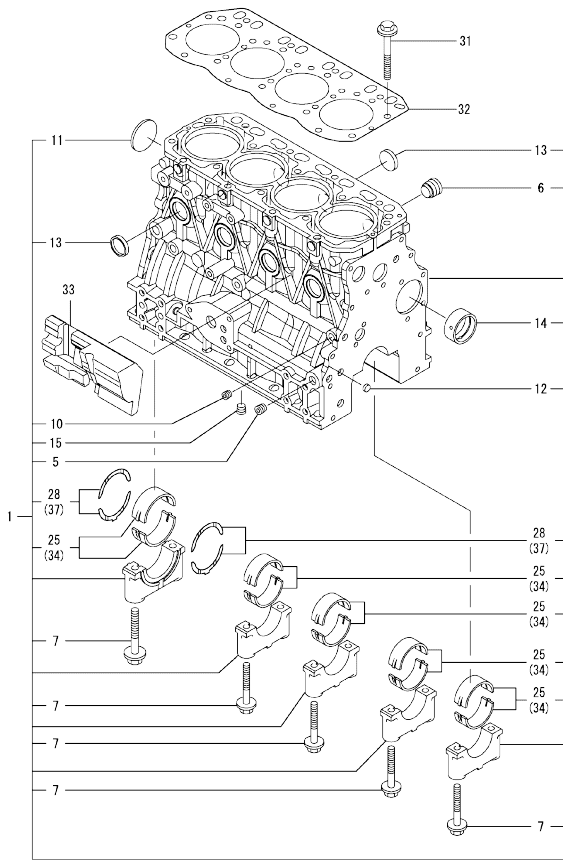
The comments (remarks) on parts that are indicated at the bottom of the illustration are the same symbols as those stated above.

Contents

Fig. No.	Fig. Name	Fig. No.	Fig. Name
ENGINE SECTION 4TNV88-KNSV			
1.	CYLINDER BLOCK		
2.	GEAR HOUSING		
3.	FLYWHEEL HOUSING & OIL SUMP		
4.	CYLINDER HEAD & BONNET		
5.	SUCTION MANIFOLD & AIR CLEANER		
6.	EXHAUST MANIFOLD & SILENCER		
7.	CAMSHAFT & DRIVING GEAR		
8.	CRANKSHAFT & PISTON		
9.	LUB.OIL SYSTEM		
10.	COOLING WATER SYSTEM		
11.	FUEL INJECTION PUMP		
12.	FUEL INJECTION VALVE		
13.	FUEL LINE		
14.	STARTING MOTOR		
15.	GENERATOR		
16.	GASKET SET		
17.	FUEL INJECTION PUMP(INNER PARTS)		
18.	GOVERNOR (INNER PARTS)		

OCV10-M86600

Fig.1. CYLINDER BLOCK



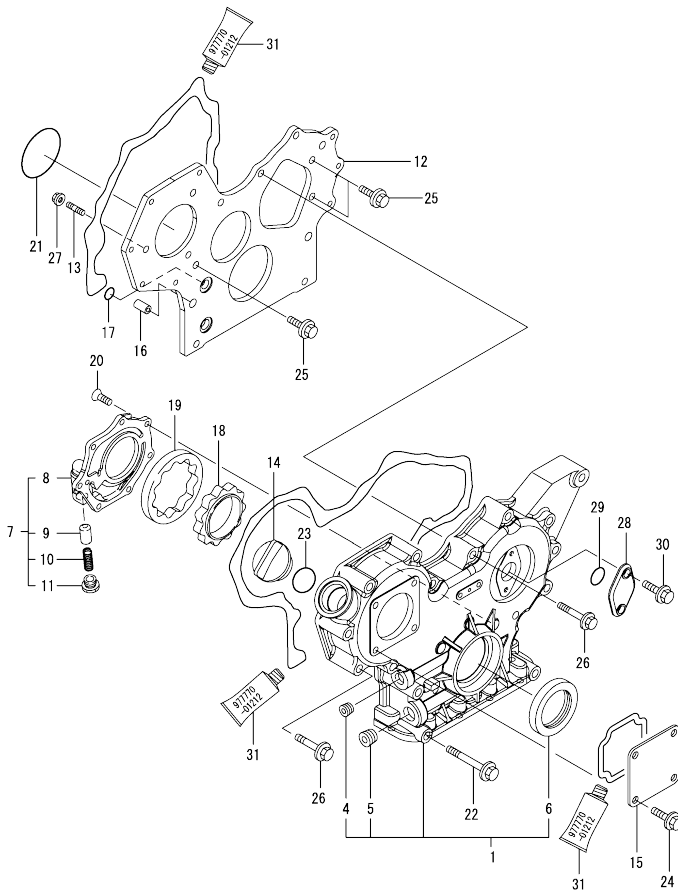
No.	Lev.	Parts No.	Description	Q'ty						I	R
				(A)	(B)	(C)	(D)	(E)	(F)		
1	1	729602-01560	BLOCK ASSY, CYLINDER	1							
5	2	124160-01910	PLUG, PT1/4	2							
6	2	171051-01921	PLUG, NPTF1	1							
7	2	129150-02020	BOLT, METAL CAP	10							
10	2	124060-01050	PLUG, PT1/8	1							
11	2	129001-01250	PLUG, 50	1							
12	2	27241-120000	PLUG, 12	2							
13	2	27241-300000	PLUG 30	8							
14	2	129795-02411	BUSH, CAMSHAFT	1							
15	2	124160-01910	PLUG, PT1/4	1							
25	2	129001-02930	BEARING, MAIN	5							3
28	2	129150-02930	BEARING, THRUST	2							
31	1	129150-01200	BOLT, HEAD	18							
32	1	129407-01340	GASKET, HEAD	1							
33	1	129004-01190	SPACER	1							
34	1	129150-02870	BEARING, 0.25 US	5							1
37	1	129150-02940	BEARING, THRUST 0.25	1							2

Remarks
 (1) UNDER-SIZE(U.S=0.25)PART.
 (2) OVER-SIZE(O.S=0.25)PART.
 (3) REPAIR PART.

N:Old $\frac{100}{100}$ New, Q:Old $\frac{100}{100}$ New, R:Old $\frac{100}{100}$ New, S:Old $\frac{100}{100}$ New, W:Add, Z:Discontinued, F:Interchangeable by set, K:Q'ty Change
 Copyright (C) YANMAR CO., LTD. All Rights Reserved.

OCV10-M86600

Fig.2. GEAR HOUSING



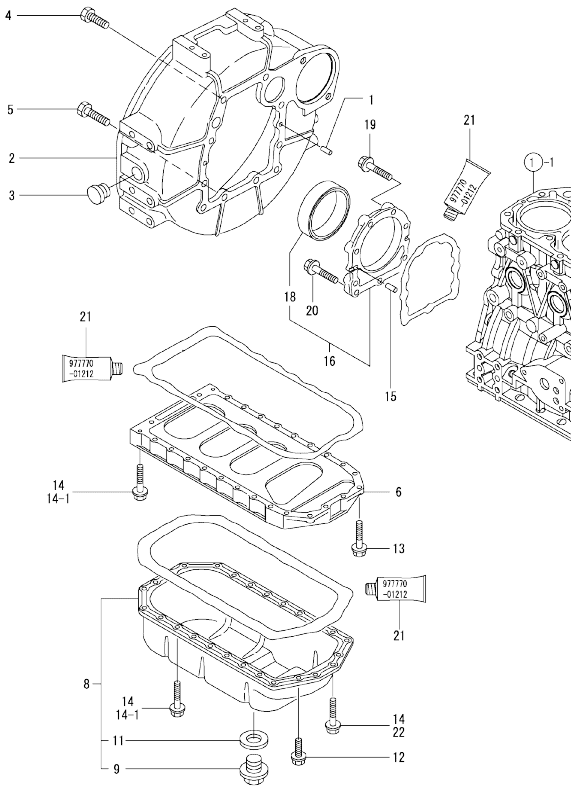
Remarks
 (1) OPTIONAL PART.

No.	Lev.	Parts No.	Description	Q'ty						I	R
				(A)	(B)	(C)	(D)	(E)	(F)		
1	1	719802-01500	CASE ASSY, GEAR	1							
4	2	23876-030000	PLUG, R03	1							
5	2	23876-040000	PLUG, R04	1							
6	2	129795-01800	SEAL, OIL	1							
7	1	119802-32100	COVER ASSY	1							
8	2	119802-32070	COVER	1							
9	2	129900-32130	VALVE, RELIEF	1							
10	2	129418-32320	SPRING	1							
11	2	129001-32330	PLUG	1							
12	1	119802-01520	FLANGE, GEAR CASE	1							
13	1	119802-01560	STUD, M8X25	3							
14	1	124160-01751	COVER, FILLER	1							
15	1	124240-01871	COVER	1							
16	1	129795-01950	PIPE, KNOCK L=18	2							
17	1	119609-32040	O-RING, P16	4							
18	1	119802-32110	ROTOR, INNER	1							
19	1	119802-32120	ROTOR, OUTER	1							
20	1	119802-32130	SCREW, M6X16	7							
21	1	121850-51960	O-RING	1							
22	1	129001-91841	BOLT, M8X85	3							
23	1	24311-000320	O-RING, 1AP32.0	1							
24	1	26106-080162	BOLT, M8X 16 PLATED	4							
25	1	26106-080162	BOLT, M8X 16 PLATED	3							
26	1	26106-080552	BOLT, M8X 55 PLATED	12							
27	1	26306-080002	NUT, M8	3							
28	1	121023-01550	COVER	1							
29	1	24341-000240	O-RING, 1AS24.0	1							
30	1	26106-060162	BOLT, M6X 16 PLATED	2							
31	1	977770-01212	GASKET, LIQUID	1							1

N:Old $\frac{100}{100}$ New, Q:Old $\frac{100}{100}$ New, R:Old $\frac{100}{100}$ New, S:Old $\frac{100}{100}$ New, W:Add, Z:Discontinued, F:Interchangeable by set, K:Qty Change
 Copyright (C) YANMAR CO., LTD. All Rights Reserved.

OCV10-M86600

Fig.3. FLYWHEEL HOUSING & OIL SUMP



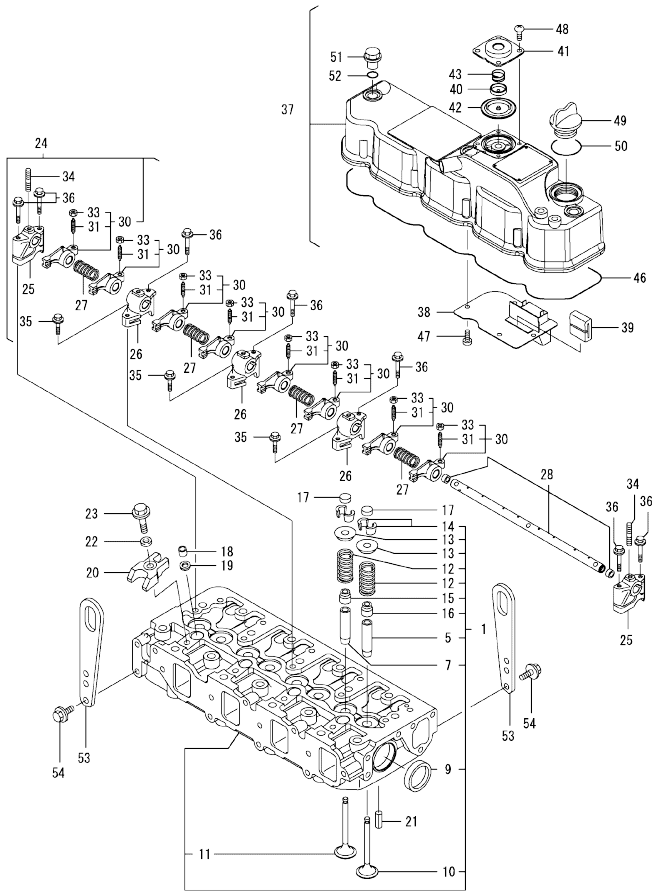
No.	Lev.	Parts No.	Description	Q'ty						I	R
				(A)	(B)	(C)	(D)	(E)	(F)		
1	1	129100-01580	PIN, M8X16	2							
2	1	129612-01600	HOUSING, FLYWHEEL	1							
3	1	119620-01750	CAP	1							
4	1	26206-100252	BOLT, M10X 25 PLATED	6							
5	1	26206-100302	BOLT, M10X 30 PLATED	4							
6	1	129400-01730	SPACER, OIL SUMP	1							
8	1	129436-01780	SUMP ASSY, OIL	1							
9	2	119640-01640	PLUG, DRAIN M22	1							
11	2	22190-220002	WASHER, SEAL 22	1							
12	1	26106-080162	BOLT, M8X 16 PLATED	4							
13	1	26106-080252	BOLT, M8X 25 PLATED	2							
14	1	26106-080452	BOLT, M8X 45 PLATED	24							
14-1	1	26106-080452	BOLT, M8X 45 PLATED	20							K
(A=FROM 1ST)											
15	1	129100-01580	PIN, M8X16	2							
16	1	129100-01640	CASE ASSY, OIL SEAL	1							
18	2	129795-01780	SEAL, OIL	1							
19	1	129486-01670	BOLT, M8X30	6							
20	1	26106-080352	BOLT, M8X 35 PLATED	3							
21	1	977770-01212	GASKET, LIQUID	1							1
22	1	26106-080502	BOLT, M8X 50 PLATED	4							W
(A=FROM 1ST)											

Remarks
(1) OPTIONAL PART.

N:Old $\frac{100}{100}$ New, Q:Old $\frac{100}{100}$ New, R:Old $\frac{100}{100}$ New, S:Old $\frac{100}{100}$ New, W:Add, Z:Discontinued, F:Interchangeable by set, K:Q'ty Change
Copyright (C) YANMAR CO., LTD. All Rights Reserved.

OCV10-M86600

Fig.4. CYLINDER HEAD & BONNET

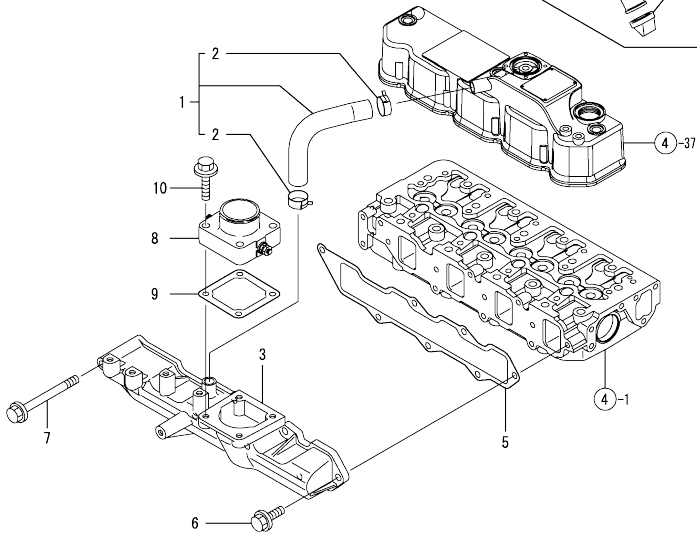
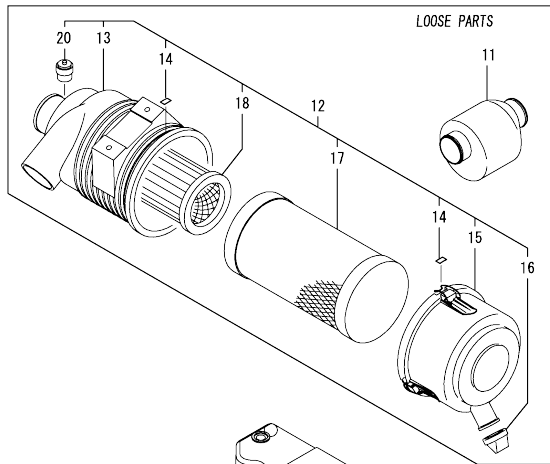


Remarks
(1) REPAIR PART.

No.	Lev.	Parts No.	Description	Q'ty						I	R
				(A)	(B)	(C)	(D)	(E)	(F)		
1	1	129601-11700	HEAD ASSY, CYLINDER	1							
5	2	120130-11860	GUIDE, VALVE	4							1
7	2	129150-11810	GUIDE, VALVE	4							1
9	2	27241-400000	PLUG, 40	2							
10	2	129005-11100	VALVE, INTAKE	4							
11	2	129100-11110	VALVE, EXHAUST	4							
12	2	129795-11120	SPRING, VALVE	8							
13	2	129795-11180	RETAINER, SPRING	8							
14	2	27310-080001	COTTER, 8	8							
15	2	121400-11340	SEAL, VALVE STEM	4							
16	2	124460-11340	SEAL, VALVE STEM	4							
17	1	129150-11370	CAP, VALVE	8							
18	1	119625-11872	PROTECTOR, NOZZLE	4							
19	1	119625-11880	SEAT, NOZZLE	4							
20	1	129004-11900	RETAINER, NOZZLE	4							
21	1	22351-060012	PIN, SPRING 6.0X12	2							
22	1	120270-54410	WASHER, INJECTOR	4							
23	1	26106-080352	BOLT, M8X 35 PLATED	4							
24	1	129601-11241	SHAFT ASSY, ROCKER	1							
25	2	119802-11260	SUPPORT, ROCKER ARM	2							
26	2	119802-11270	SUPPORT, ROCKER ARM	3							
27	2	129150-11280	SPRING	4							
28	2	129601-11251	SHAFT, ROCKER ARM	1							
30	2	129004-11650	ARM, ROCKER	8							
31	3	129150-11230	SCREW, VALVE ADJUST	8							
33	3	129150-11750	NUT, M8	8							
34	2	26226-080182	STUD, M8X 18	3							
35	1	26106-080252	BOLT, M8X 25 PLATED	3							
36	1	26106-080502	BOLT, M8X 50 PLATED	7							
37	1	129601-11350	BONNET ASSY, HEAD	1							
38	2	129004-03010	PLATE	1							
39	2	129150-03070	BAFFLE, BREATHER	1							
40	2	119802-03110	PLATE	1							
41	2	119802-03120	COVER, DIAPHRAGM	1							
42	2	119802-03130	DIAPHRAGM	1							
43	2	119802-03140	SPRING, DIAPHRAGM	1							
46	2	129601-11310	GASKET, BONNET	1							
47	2	22857-500100	SCREW, 5X10	4							
48	2	22857-500100	SCREW, 5X10	4							
49	1	124160-01751	COVER, FILLER	1							
50	1	24311-000320	O-RING, 1AP32.0	1							
51	1	124160-11360	KNOB	3							
52	1	24311-000120	O-RING, 1AP12.0	3							
53	1	129900-07900	LIFTER	2							
54	1	26106-080142	BOLT, M8X 14 PLATED	4							

N:Old $\frac{100}{100}$ New, Q:Old $\frac{100}{100}$ New, R:Old $\frac{100}{100}$ New, S:Old $\frac{100}{100}$ New, W:Add, Z:Discontinued, F:Interchangeable by set, K:Q'ty Change
Copyright (C) YANMAR CO., LTD. All Rights Reserved.

Fig.5. SUCTION MANIFOLD & AIR CLEANER

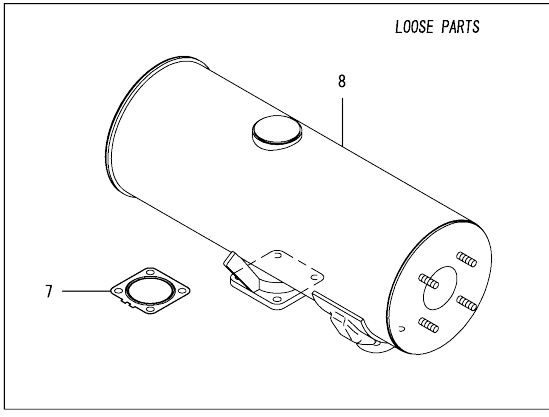
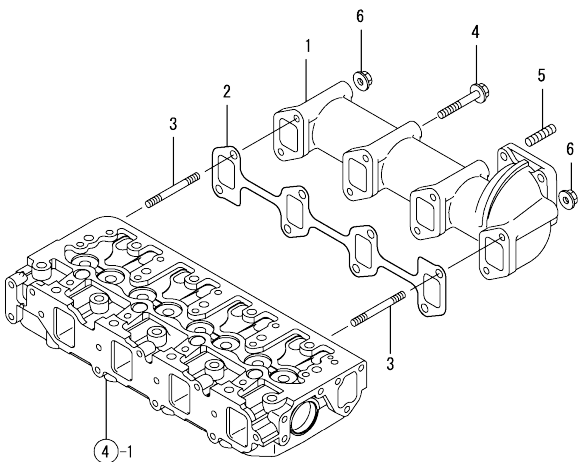


No.	Lev.	Parts No.	Description	Q'ty						I	R
				(A)	(B)	(C)	(D)	(E)	(F)		
1	1	129005-03080	PIPE, BREATHER	1							
2	2	129410-03990	CLAMP 22	2							
3	1	129602-12100	MANIFOLD, AIR INTAKE	1							
5	1	129407-12110	GASKET, MANIFOLD	1							
6	1	26106-080202	BOLT, M8X 20 PLATED	6							
7	1	26106-080802	BOLT, M8X 80 PLATED	1							
8	1	129120-77501	HEATER	1							
9	1	129150-77511	GASKET	1							
10	1	26106-080352	BOLT, M8X 35 PLATED	4							
11	1	119160-12060	SILENCER ASSY	1							
12	1	129609-12510	CLEANER ASSY, AIR	1							
13	2	129609-12520	BODY, AIR CLEANER	1							
14	2	129418-12530	MARK	2							
15	2	129900-12530	COVER ASSY	1							
16	2	119808-12540	VALVE, UNLOADER	1							
17	2	129062-12560	ELEMENT	1							
18	2	119005-12571	ELEMENT	1							
20	2	126650-12680	INDICATOR	1							

N:Old $\frac{100}{100}$ New, Q:Old $\frac{100}{100}$ New, R:Old $\frac{100}{100}$ New, S:Old $\frac{100}{100}$ New, W:Add, Z:Discontinued, F:Interchangeable by set, K:Q'ty Change
 Copyright (C) YANMAR CO., LTD. All Rights Reserved.

OCV10-M86600

Fig.6. EXHAUST MANIFOLD & SILENCER

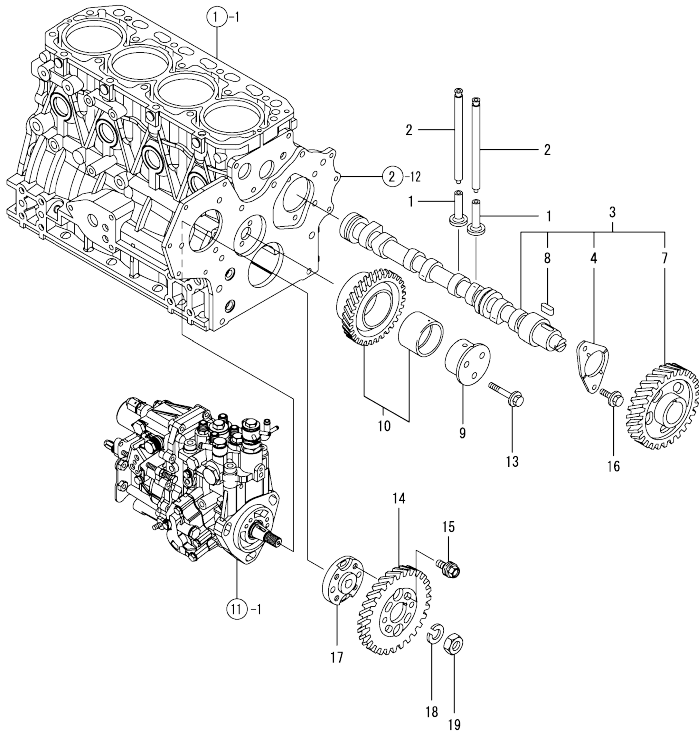


No.	Lev.	Parts No.	Description	Q'ty						I	R
				(A)	(B)	(C)	(D)	(E)	(F)		
1	1	129400-13101	MANIFOLD, EXHAUST	1							
2	1	129550-13110	GASKET	1							
3	1	123900-13610	STUD, M8X80	2							
4	1	123900-13630	BOLT, M8X80	6							
5	1	119131-18320	STUD, M8X22	4							
6	1	26306-080002	NUT, M8	2							
7	1	129004-13200	GASKET, SILENCER	3							M
7-1	1	129930-13200	GASKET, SILENCER	1							
8	1	129601-13500	SILENCER	1							

N:Old $\frac{100}{100}$ New, Q:Old $\frac{100}{100}$ New, R:Old $\frac{100}{100}$ New, S:Old $\frac{100}{100}$ New, W:Add, Z:Discontinued, F:Interchangeable by set, K:Q'ty Change
 Copyright (C) YANMAR CO., LTD. All Rights Reserved.

Fig.7. CAMSHAFT & DRIVING GEAR

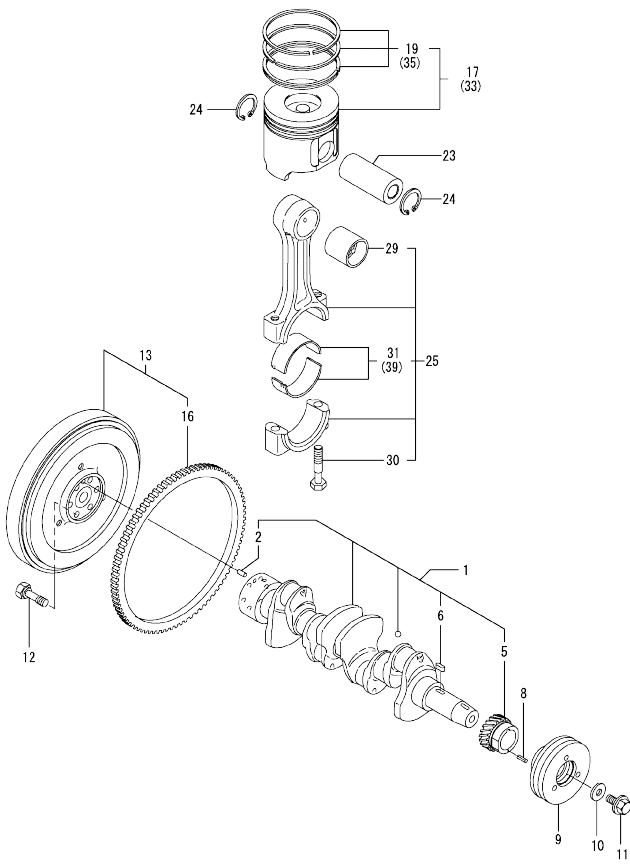
図号: 000Y00V6660-1
 改訂年月: 2005.04
 REVISED: April, 2005



No.	Lev.	Parts No.	Description	Q'ty						I	R
				(A)	(B)	(C)	(D)	(E)	(F)		
1	1	129150-14200	TAPPET	8							
2	1	129150-14400	ROD, PUSH L=178	8							
3	1	729402-14580	CAMSHAFT ASSY	1							
4	2	129150-02450	BEARING, THRUST	1							
7	2	129150-14101	GEAR, CAMSHAFT	1							
8	2	22512-070140	KEY, 7X 14	1							
9	1	119802-25051	SHAFT, IDLE	1							
10	1	119802-25100	GEAR ASSY, IDLE	1							
13	1	26106-080402	BOLT, M8X 40 PLATED	3							
14	1	119802-25901	GEAR, PUMP	1							
15	1	129150-25301	BOLT	4							
16	1	26106-080142	BOLT, M8X 14 PLATED	2							
17	1	158552-51151	FLANGE	1							
18	1	22217-140000	WASHER, SPRING 14	1							
19	1	26776-140002	NUT, LOCK M14	1							

OCV10-M86600

Fig.8. CRANKSHAFT & PISTON

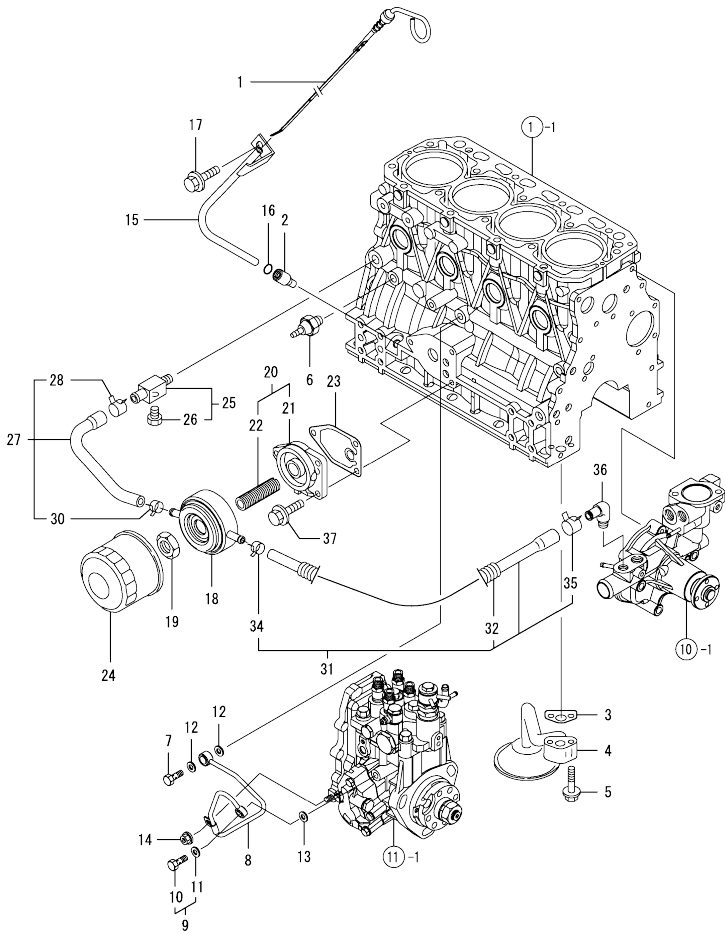


No.	Lev.	Parts No.	Description	Q'ty						I	R
				(A)	(B)	(C)	(D)	(E)	(F)		
1	1	129601-21000	CRANKSHAFT ASSY	1							
2	2	129100-01580	PIN, M8X16	1							
5	2	119802-21200	GEAR, CRANKSHAFT	1							
6	2	22512-070140	KEY, 7X 14	1							
8	1	22351-030010	PIN, SPRING 3.0X10	1							
9	1	119802-21650	V-PULLEY, 110	1							
10	1	129795-21661	WASHER	1							
11	1	121850-21680	BOLT	1							
12	1	121111-21501	BOLT, FLYWHEEL	6							
13	1	129423-21570	FLYWHEEL ASSY	1							
16	2	119865-21600	GEAR, RING	1							
17	1	129005-22080	PISTON ASSY	4							
19	2	129005-22500	RING SET, PISTON	4							
23	1	129202-22300	PIN, PISTON D26 L70	4							
24	1	22252-000260	RING, 26	8							
25	1	729402-23100	ROD ASSY, CONNECTING	4							
29	2	129100-23910	BEARING, PISTON PIN	4							1
30	2	121550-23200	BOLT, CONNECTING ROD	8							
31	2	129150-23600	BEARING, CRANK PIN	4							
33	1	129005-22900	PISTON ASSY, 0.25 OS	4							2
35	2	129005-22950	RING SET, 0.25 OS	4							2
39	1	129150-23610	BEARING, 0.25 US	4							3

Remarks
 (1) REPAIR PART.
 (2) OVER-SIZE(O.S=0.25)PART.
 (3) UNDER-SIZE(U.S=0.25)PART.

N:Old $\frac{New}{Old}$ New, Q:Old $\frac{New}{Old}$ New, R:Old $\frac{New}{Old}$ New, S:Old $\frac{New}{Old}$ New, W:Add, Z:Discontinued, F:Interchangeable by set, K:Qty Change
 Copyright (C) YANMAR CO., LTD. All Rights Reserved.

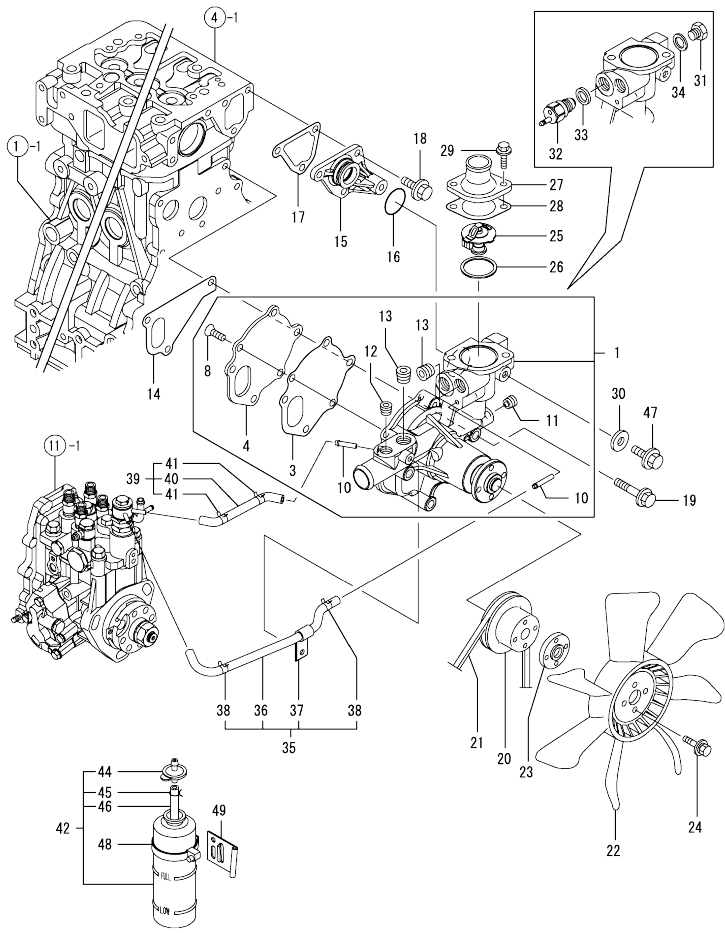
Fig.9. LUB.OIL SYSTEM



No.	Lev.	Parts No.	Description	Q'ty						I	R
				(A)	(B)	(C)	(D)	(E)	(F)		
1	1	129601-34800	DIPSTICK, OIL	1							
2	1	119260-34810	GUIDE, DIPSTICK	1							
3	1	129150-35041	GASKET	1							
4	1	129436-35091	PIPE ASSY, OIL INLET	1							
5	1	26106-080352	BOLT, M8X 35 PLATED	2							
6	1	114250-39450	SWITCH, 0.5KG	1							
7	1	124160-39140	BOLT, PIPE JOINT M10	1							
8	1	119802-39450	PIPE ASSY, OIL	1							
9	1	129005-59830	BOLT ASSY, JOINT M8	1							
10	2	23857-030000	BOLT, JOINT 3	1							
11	2	22190-080002	WASHER, SEAL 6	1							
12	1	22190-100002	WASHER, SEAL 10	2							
13	1	22190-080002	WASHER, SEAL 6	1							
14	1	26366-060002	NUT, M6	1							
15	1	119802-34850	GUIDE, DIPSTICK	1							
16	1	24311-240100	O-RING, 1AP10A	1							
17	1	26106-080162	BOLT, M8X 16 PLATED	1							
18	1	129508-33010	COOLER ASSY, OIL	1							
19	1	129417-33110	NUT	1							
20	1	129006-35100	BRACKET ASSY, FILTER	1							
21	2	119802-35110	BRACKET, FILTER	1							
22	2	129417-35150	STUD, L=67	1							
23	1	129150-35111	GASKET	1							
24	1	129150-35151	FILTER, D80XL80	1							
25	1	129006-44480	JOINT	1							
26	2	171056-49120	PLUG, DRAIN	1							
27	1	129508-49030	PIPE ASSY, WATER	1							
28	2	171008-03990	CLIP, HOSE 18.5	1							
30	2	23080-015000	CLAMP, 15	1							
31	1	129508-49040	PIPE ASSY, WATER	1							
32	2	123951-03330	TUBE, CORRUGATED	1							
34	2	23080-015000	CLAMP, 15	1							
35	2	23080-018000	CLAMP, 18	1							
36	1	129103-49301	ELBOW, PT1/4	1							
37	1	26106-080202	BOLT, M8X 20 PLATED	3							

N:Old $\frac{100}{100}$ New, Q:Old $\frac{100}{100}$ New, R:Old $\frac{100}{100}$ New, S:Old $\frac{100}{100}$ New, W:Add, Z:Discontinued, F:Interchangeable by set, K:Qty Change
 Copyright (C) YANMAR CO., LTD. All Rights Reserved.

Fig.10. COOLING WATER SYSTEM



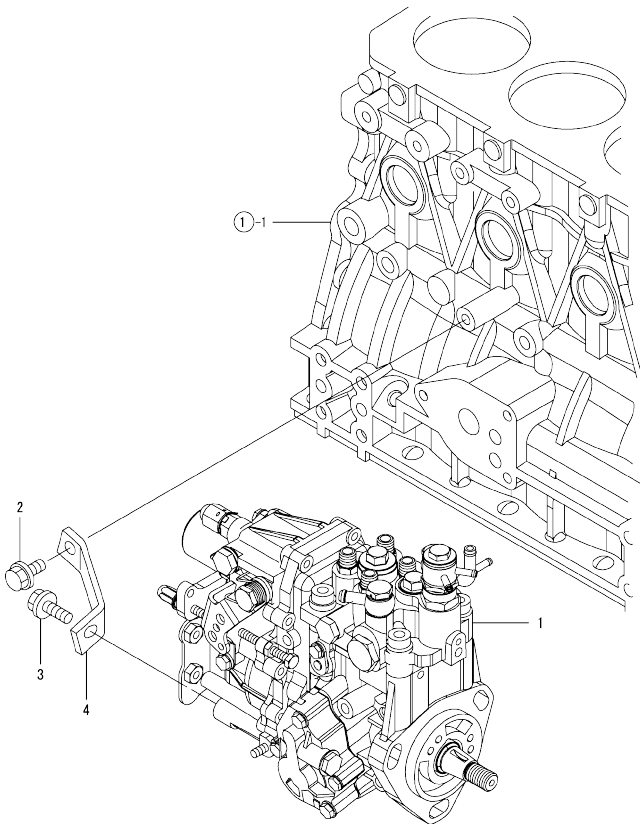
No.	Lev.	Parts No.	Description	Q'ty						I	R
				(A)	(B)	(C)	(D)	(E)	(F)		
1	1	129004-42000	PUMP ASSY, WATER	1							
3	2	129100-42051	GASKET, WATER PUMP	1							
4	2	129100-42121	PLATE	1							
8	2	26577-060152	SCREW, M6X15	3							
10	2	119802-49112	PIPE, WATER	2							
11	2	23876-010000	PLUG, R01	1							
12	2	23875-020000	PLUG, R02	1							
13	2	23875-030000	PLUG, R03	2							
14	1	129486-42021	GASKET, WATER PUMP	1							
15	1	129004-42040	JOINT	1							
16	1	129486-42140	O-RING, G30	1							
17	1	124395-49840	GASKET	1							
18	1	26106-080162	BOLT, M8X 16 PLATED	3							
19	1	26106-080602	BOLT, M8X 60 PLATED	3							
20	1	129403-42380	V-PULLEY, D=110	1							
21	1	25132-003800	V-BELT, A38	1							
22	1	121267-44741	FAN, COOLING D=360	1							
23	1	124574-44761	SPACER, FAN	1							
24	1	26014-060252	BOLT, M6X 25	4							
25	1	129155-49800	THERMOSTAT, 71	1							
26	1	129150-49811	GASKET, THERMOSTAT	1							
27	1	129350-49530	COVER, THERMOSTAT	1							
28	1	129795-49551	GASKET	1							
29	1	26106-080222	BOLT, M8X 22 PLATED	2							
30	1	23414-080000	GASKET, 8X1.0	1							
31	1	121450-42450	PLUG, M16	1							
32	1	121250-44901	SWITCH, 110	1							
33	1	124465-44950	GASKET, 16	1							
34	1	124465-44950	GASKET, 16	1							
35	1	129004-49610	PIPE ASSY, WATER	1							
36	2	129004-49711	PIPE ASSY, WATER	1							
37	2	119802-49730	RETAINER, PIPE	1							
38	2	124722-59050	CLIP, HOSE 9	2							
39	1	129004-49620	PIPE ASSY, WATER	1							
40	2	129004-49721	PIPE ASSY, WATER	1							
41	2	124722-59050	CLIP, HOSE 9	2							
42	1	124450-44510	TANK ASSY, SUB	1							
44	2	124450-44530	CAP	1							
45	2	124450-44560	RETAINER	1							
46	2	23061-070230	PIPE, 7X 230	1							
47	1	26106-080122	BOLT, M8X 12 PLATED	1							
48	1	124450-44550	BAND	1							
49	1	121256-44600	BRACKET, SUB TANK	1							

N:Old $\frac{100}{100}$ New, Q:Old $\frac{100}{100}$ New, R:Old $\frac{100}{100}$ New, S:Old $\frac{100}{100}$ New, W:Add, Z:Discontinued, F:Interchangeable by set, K:Q'ty Change
 Copyright (C) YANMAR CO., LTD. All Rights Reserved.

OCV10-M86600

Fig.11. FUEL INJECTION PUMP

Part No. 000Y00V6660-1
 変更年月 2005.04
 REVISED: April, 2005



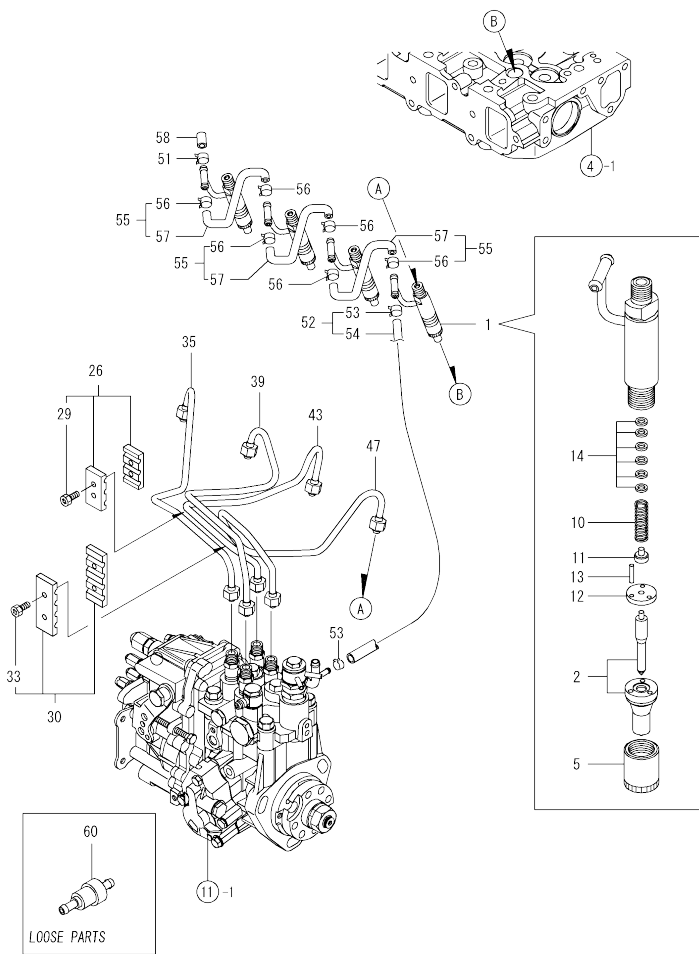
(A)=4TNV88-KNSV (D)=
 (B)= (E)=
 (C)= (F)=

No.	Lev.	Parts No.	Description	Q'ty						I	R
				(A)	(B)	(C)	(D)	(E)	(F)		
1	1	729645-51301	PUMP ASSY, INJECTION	1							1
2	1	26106-080162	BOLT, M8X 16 PLATED	1							
3	1	26106-080202	BOLT, M8X 20 PLATED	1							
4	1	129601-51250	RETAINER, PUMP	1							

Remarks
 (1) REFER TO FI.17 & 18 FOR INNER PARTS.

N:Old $\frac{100}{100}$ New. Q:Old $\frac{100}{100}$ New. R:Old $\frac{100}{100}$ New. S:Old $\frac{100}{100}$ New. W:Add. Z:Discontinued. F:Interchangeable by set. K:Q'ty Change
 Copyright (C) YANMAR CO., LTD. All Rights Reserved.

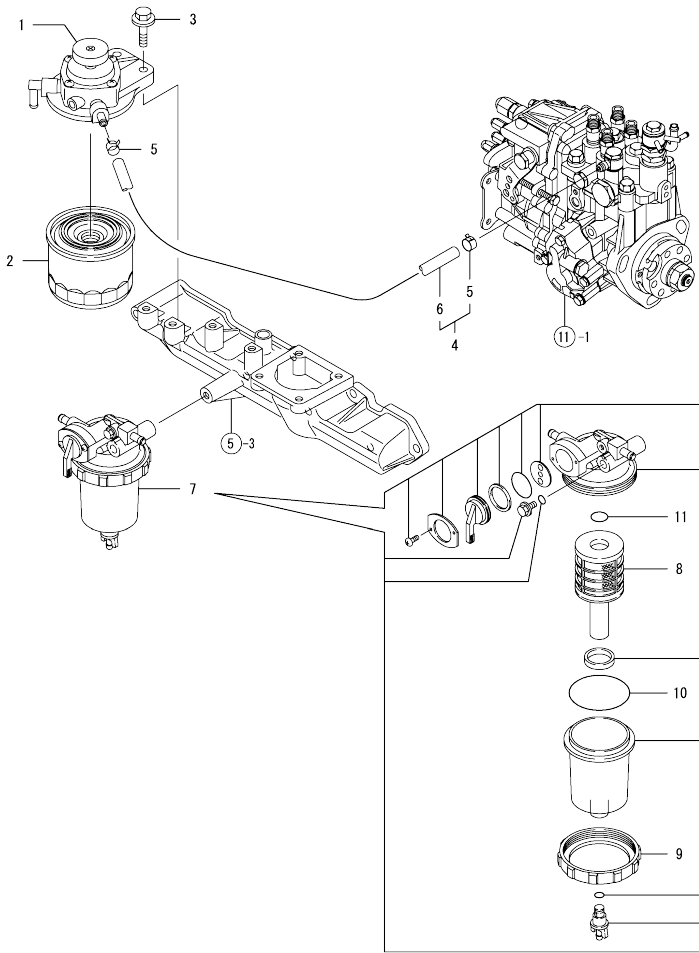
Fig.12. FUEL INJECTION VALVE



No.	Lev.	Parts No.	Description	Q'ty						I	R
				(A)	(B)	(C)	(D)	(E)	(F)		
1	1	729602-53101	VALVE ASSY,INJECTION	4							
2	2	129602-53001	VALVE ASSY,INJECTION	4							
5	2	114250-53080	NUT, NOZZLE D16.95	4							
10	2	114250-53120	SPRING, NOZZLE	4							
11	2	114250-53130	SEAT, SPRING	4							
12	2	114250-53140	PLATE	4							
13	2	114250-53210	PIN	8							
14	2	114250-53400	SHIM SET	4							
26	1	129150-59120	RETAINER, PIPE	1							
29	2	129150-59131	BOLT, M4X14	2							
30	1	129550-59120	RETAINER, PIPE	1							
33	2	129150-59131	BOLT, M4X14	2							
35	1	129601-59810	PIPE ASSY, INJECTION	1							
39	1	129601-59820	PIPE ASSY, INJECTION	1							
43	1	129601-59830	PIPE ASSY, INJECTION	1							
47	1	129601-59840	PIPE ASSY, INJECTION	1							
51	1	124066-59100	CLIP, HOSE 8	2							
52	1	119802-59550	PIPE ASSY, RETURN	1							
53	2	124722-59050	CLIP, HOSE 9	2							
54	2	119802-59560	PIPE, FUEL RETURN	1							
55	1	129486-59551	PIPE ASSY, RETURN	3							
56	2	124722-59050	CLIP, HOSE 9	6							
57	2	129486-59510	PIPE, FUEL RETURN	3							
58	1	119593-59580	CAP	1							
60	1	119802-59959	VALVE, CHECK	1							

OCV10-M86600

Fig.13. FUEL LINE

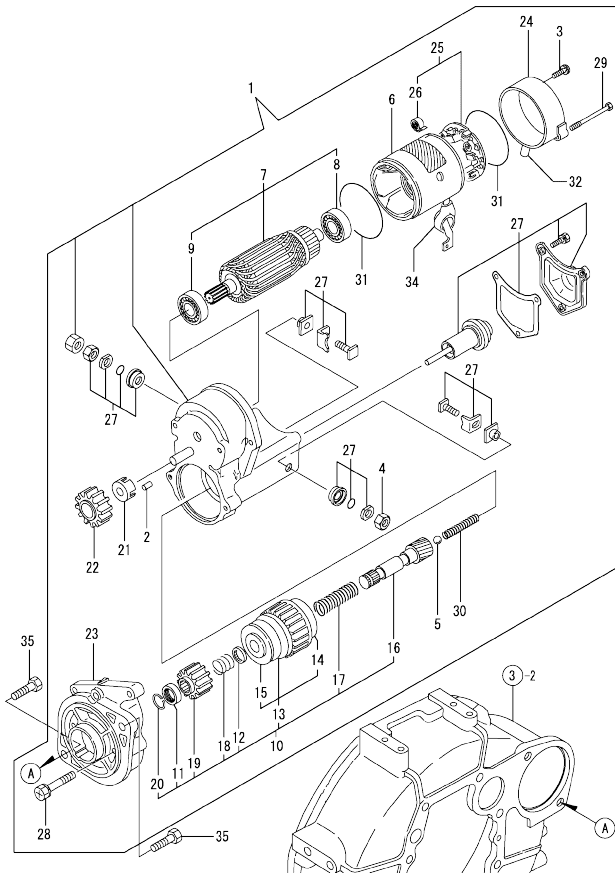


No.	Lev.	Parts No.	Description	Q'ty						I	R
				(A)	(B)	(C)	(D)	(E)	(F)		
1	1	119802-55610	BRACKET, FILTER	1							
2	1	119802-55800	FILTER, FUEL	1							
3	1	26106-080302	BOLT, M8X 30 PLATED	2							
4	1	129210-59090	PIPE ASSY, FUEL	1							
5	2	124766-59050	CLIP, HOSE 12	2							
6	2	105325-59570	PIPE, FUEL	1							
7	1	119802-55700	SEPARATOR ASSY	1							
8	2	119802-55710	ELEMENT	1							
9	2	129100-55690	RING, RETAINING	1							
10	2	24321-000650	O-RING, 1AG65.0	1							
11	2	24311-000160	O-RING, 1AP16.0	1							

N:Old $\frac{New}{Old}$ New, Q:Old $\frac{New}{Old}$ New, R:Old $\frac{New}{Old}$ New, S:Old $\frac{New}{Old}$ New, W:Add, Z:Discontinued, F:Interchangeable by set, K:Qty Change
 Copyright (C) YANMAR CO., LTD. All Rights Reserved.

OCV10-M86600

Fig.14. STARTING MOTOR



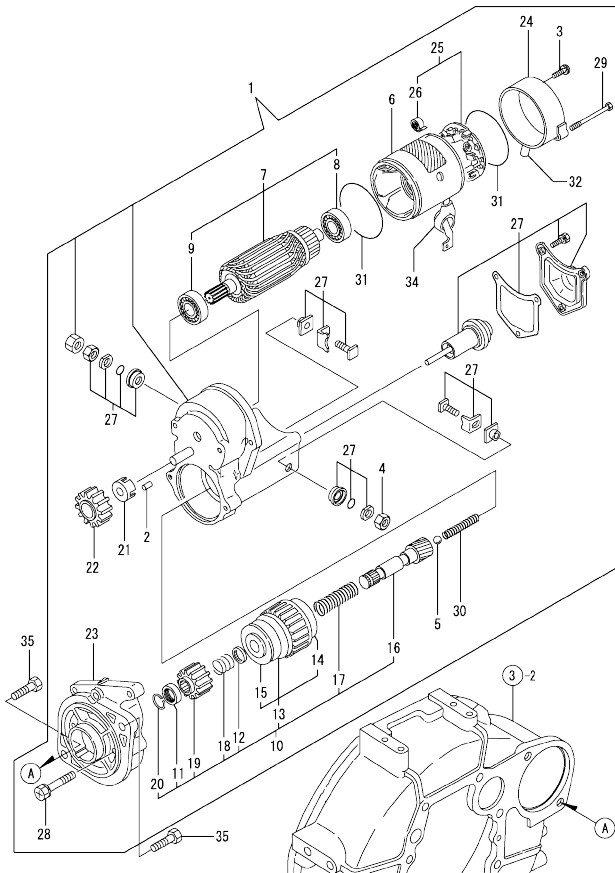
Remarks
 (1) NAMEPLATE= REF.NO.1 REF,
 REF.NO.1-1 BLACK.

No.	Lev.	Parts No.	Description	Qty						I	R
				(A)	(B)	(C)	(D)	(E)	(F)		
1	1	129407-77010	STARTER, RA1.4	1							1
1-1	1	129429-77011	STARTER ASSY	1							N 1
		(A=E00360)									
2	2	X0283060061	ROLLER		5						Z
		(A=E00360)									
3	2	129129-77460	SCREW		2						Z
		(A=E00360)									
4	2	X9490561370	NUT		1						Z
		(A=E00360)									
5	2	X9491200240	BALL		1						Z
		(A=E00360)									
6	2	129407-77210	YOKE ASSY		1						Z
		(A=E00360)									
7	2	129407-77220	ARMATURE ASSY		1						Z
		(A=E00360)									
8	3	129129-77230	BEARING		1						Z
		(A=E00360)									
9	3	129129-77240	BEARING		1						Z
		(A=E00360)									
10	2	129407-77250	STARTER		1						Z
		(A=E00360)									
11	3	X0280210230	NUT		1						Z
		(A=E00360)									
12	3	X0283270140	RETAINER		1						Z
		(A=E00360)									
13	3	129407-77390	CLUTCH ASSY		1						Z
		(A=E00360)									
14	4	129129-77440	BEARING		1						Z
		(A=E00360)									
15	4	129129-77450	BEARING		1						Z
		(A=E00360)									
16	3	129129-77400	SHAFT		1						Z
		(A=E00360)									
17	3	129129-77410	SPRING, COIL		1						Z
		(A=E00360)									
18	3	129407-77410	SPRING		1						Z
		(A=E00360)									
19	3	129129-77420	PINION		1						Z
		(A=E00360)									
20	3	129129-77430	RING		1						Z
		(A=E00360)									
21	2	129129-77260	RETAINER		1						Z
		(A=E00360)									
22	2	129129-77270	PINION		1						Z
		(A=E00360)									
23	2	129407-77280	HOUSING		1						Z
		(A=E00360)									
24	2	129129-77290	FRAME		1						Z
		(A=E00360)									
25	2	129407-77300	HOLDER ASSY		1						Z
		(A=E00360)									

N:Old $\frac{N}{100}$ New, Q:Old $\frac{Q}{100}$ New, R:Old $\frac{R}{100}$ New, S:Old $\frac{S}{100}$ New, W:Add, Z:Discontinued, F:Interchangeable by set, K:Qty Change
 ++ CONTINUE ++
 Copyright (C) YANMAR CO., LTD. All Rights Reserved.

OCV10-M86600

Fig.14. STARTING MOTOR



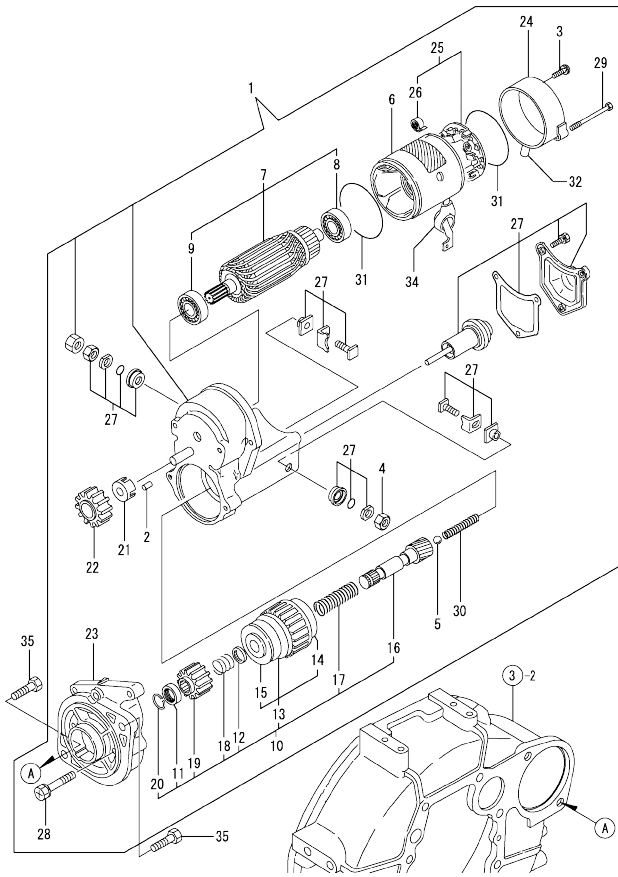
Remarks
 (1) NAMEPLATE= REF.NO.1 REF.
 REF.NO.1-1 BLACK.

No.	Lev.	Parts No.	Description	Qty						I	R
				(A)	(B)	(C)	(D)	(E)	(F)		
26	3	X9491730461	SPRING	4							Z
		(A=E00360)									
27	2	129407-77310	SWITCH ASSY	1							Z
		(A=E00360)									
28	2	129129-77320	BOLT	2							Z
		(A=E00360)									
29	2	129407-77330	BOLT	2							Z
		(A=E00360)									
30	2	129129-77340	SPRING	1							Z
		(A=E00360)									
31	2	129129-77350	O-RING	2							Z
		(A=E00360)									
32	2	129129-77362	COVER	1							Z
		(A=E00360)									
34	2	129129-77380	CAP	1							Z
		(A=E00360)									
35	2	129129-77362	COVER	1							W
		(A=E00360)									
36	2	X0283060061	ROLLER	5							W
		(A=E00360)									
37	2	129429-77310	SCREW	2							W
		(A=E00360)									
38	2	X9490561370	NUT	1							W
		(A=E00360)									
39	2	X9491200240	BALL	1							W
		(A=E00360)									
40	2	129429-77210	YOKE ASSY	1							W
		(A=E00360)									
41	2	129429-77220	ARMATURE ASSY	1							W
		(A=E00360)									
42	3	129429-77230	BEARING	1							W
		(A=E00360)									
43	3	129129-77240	BEARING	1							W
		(A=E00360)									
46	2	129429-77250	PINION ASSY	1							W
		(A=E00360)									
47	2	129429-77350	GASKET	1							W
		(A=E00360)									
48	2	129429-77360	COVER	1							W
		(A=E00360)									
49	2	129429-77370	PLUNGER	1							W
		(A=E00360)									
50	2	129429-77380	STARTER KIT	1							W
		(A=E00360)									
51	2	129429-77390	STARTER KIT	1							W
		(A=E00360)									
52	2	129129-77260	RETAINER	1							W
		(A=E00360)									
53	2	129129-77270	PINION	1							W
		(A=E00360)									
55	2	129429-77270	FRAME	1							W

N:Old $\frac{100}{100}$ New, Q:Old $\frac{100}{100}$ New, R:Old $\frac{100}{100}$ New, S:Old $\frac{100}{100}$ New, W:Add, Z:Discontinued, F:Interchangeable by set, K:Qty Change
 ++ CONTINUE ++
 Copyright (C) YANMAR CO., LTD. All Rights Reserved.

OCV10-M86600

Fig.14. STARTING MOTOR



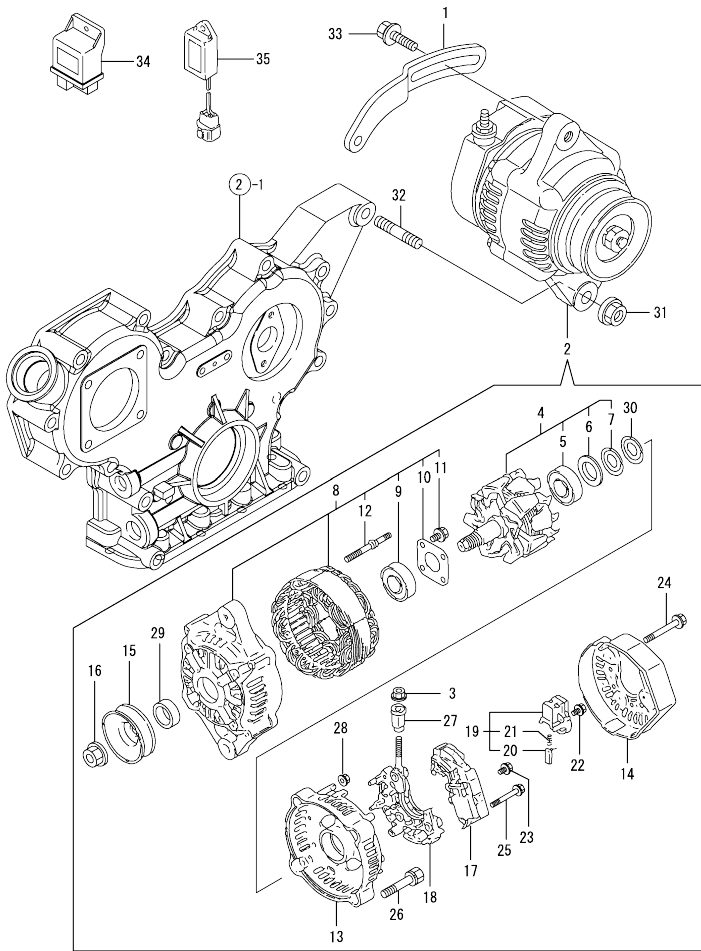
Remarks
 (1) NAMEPLATE= REF.NO.1 REF.
 REF.NO.1-1 BLACK.

No.	Lev.	Parts No.	Description	Q'ty						I	R
				(A)	(B)	(C)	(D)	(E)	(F)		
		(A=E00360)									
56	2	129429-77280	HOLDER ASSY	1							W
		(A=E00360)									
57	3	129429-77290	SPRING	4							W
		(A=E00360)									
58	2	129429-77320	SCREW	2							W
		(A=E00360)									
59	2	129429-77330	BOLT	2							W
		(A=E00360)									
60	2	129129-77340	SPRING	1							W
		(A=E00360)									
61	2	129129-77350	O-RING	2							W
		(A=E00360)									
62	2	129129-77370	NUT	1							W
		(A=E00360)									
63	2	129429-77340	CAP	1							W
		(A=E00360)									
64	1	26116-120252	BOLT, M12X 25 PLATED	2							

N:Old $\frac{100}{100}$ New, Q:Old $\frac{100}{100}$ New, R:Old $\frac{100}{100}$ New, S:Old $\frac{100}{100}$ New, W:Add, Z:Discontinued, F:Interchangeable by set, K:Q'ty Change
 Copyright (C) YANMAR CO., LTD. All Rights Reserved.

OCV10-M86600

Fig.15. GENERATOR

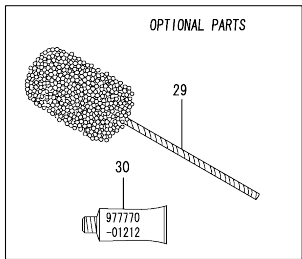
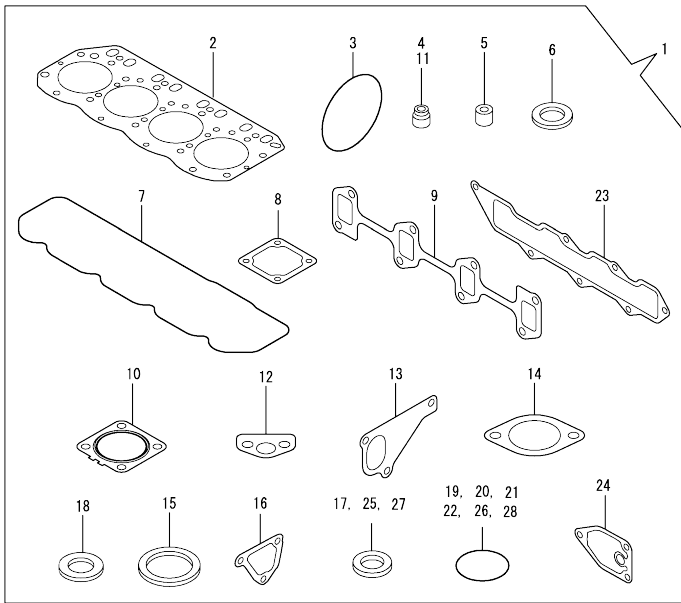


No.	Lev.	Parts No.	Description	Q'ty						I	R
				(A)	(B)	(C)	(D)	(E)	(F)		
1	1	119802-77320	ADJUSTER	1							
2	1	129423-77200	GENERATOR, 12V-40A	1							
3	2	X9490561001	NUT	1							
4	2	119620-77380	ROTOR ASSY	1							
5	3	119620-79240	BALL BEARING	1							
6	3	119620-79250	COVER, BEARING	1							
7	3	119620-79360	WASHER, THRUST	1							
8	2	119620-77421	FRAME ASSY, DRIVE	1							
9	3	119620-79200	BALL BEARING	1							
10	3	119620-79210	PLATE	1							
11	3	119620-79220	SCREW	4							
12	3	119620-79230	BOLT, STUD	2							
13	2	119620-77440	FLAME ASSY, REAR	1							
14	2	129240-79300	COVER	1							
15	2	119620-77461	PULLEY	1							
16	2	119620-77471	NUT	1							
17	2	129423-77710	REGULATOR ASSY	1							
18	2	119620-79260	HOLDER	1							
19	2	119620-79270	HOLDER, BRUSH	1							
20	3	119620-77480	BRUSH ASSY	2							
21	3	119620-79280	SPRING	2							
22	2	119620-79290	SCREW	1							
23	2	119620-79300	SCREW	1							
24	2	119620-79310	BOLT	3							
25	2	119620-79320	SCREW W/WASHER	2							
26	2	119620-79330	BOLT	2							
27	2	119620-79340	INSULATION BUSH	1							
28	2	119620-79350	NUT	2							
29	2	119620-77490	COLLAR	1							
30	2	119620-79360	WASHER, THRUST	1							
31	1	26306-100002	NUT, M10	1							
32	1	129795-01900	STUD	1							
33	1	119810-77340	BOLT, ADJUSTER	1							
34	1	119802-77200	RELAY, SAFETY	1							
35	1	128300-77920	TIMER	1							

N:Old $\frac{100}{100}$ New, Q:Old $\frac{100}{100}$ New, R:Old $\frac{100}{100}$ New, S:Old $\frac{100}{100}$ New, W:Add, Z:Discontinued, F:Interchangeable by set, K:Q'ty Change
 Copyright (C) YANMAR CO., LTD. All Rights Reserved.

OCV10-M86600

Fig.16. GASKET SET

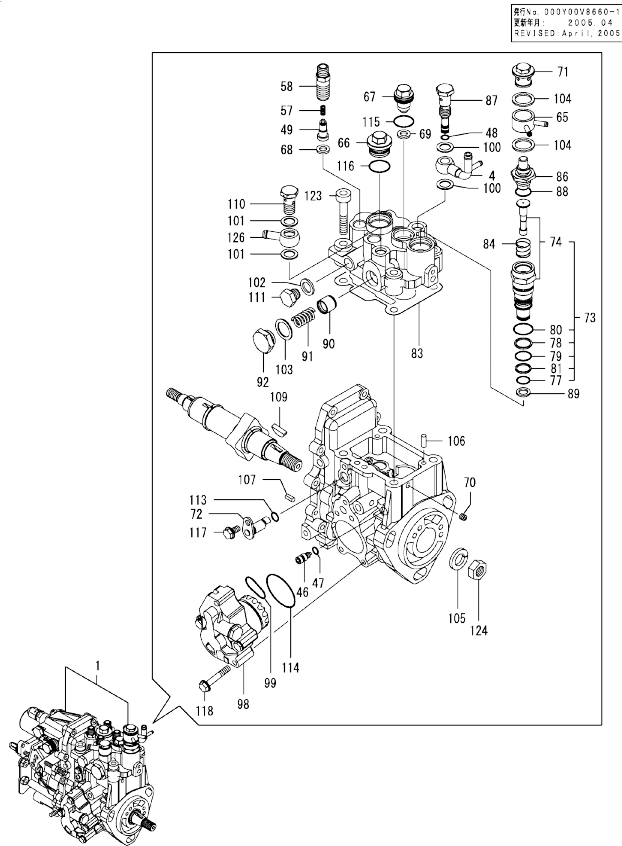


Remarks
(1) OPTIONAL PART.

No.	Lev.	Parts No.	Description	Q'ty						I	R
				(A)	(B)	(C)	(D)	(E)	(F)		
1	1	729601-92600	GASKET SET	1							1
2	2	129407-01340	GASKET, HEAD	1							
3	2	121850-51960	O-RING	1							
4	2	124460-11340	SEAL, VALVE STEM	4							
5	2	119625-11872	PROTECTOR, NOZZLE	4							
6	2	119625-11880	SEAT, NOZZLE	4							
7	2	129601-11310	GASKET, BONNET	1							
8	2	129150-77511	GASKET	1							
9	2	129550-13110	GASKET	1							
10	2	129004-13200	GASKET, SILENCER	3							M
10-1	2	129930-13200	GASKET, SILENCER	3							
11	2	121400-11340	SEAL, VALVE STEM	4							
12	2	129150-35041	GASKET	1							
13	2	129486-42021	GASKET, WATER PUMP	1							
14	2	129795-49551	GASKET	1							
15	2	129150-49811	GASKET, THERMOSTAT	1							
16	2	124395-49840	GASKET	1							
17	2	22190-080002	WASHER, SEAL 6	2							
18	2	124465-44950	GASKET, 16	2							
19	2	24311-000120	O-RING, 1AP12.0	3							
20	2	24311-000320	O-RING, 1AP32.0	2							
21	2	24341-000240	O-RING, 1AS24.0	1							
22	2	129486-42140	O-RING, G30	1							
23	2	129407-12110	GASKET, MANIFOLD	1							
24	2	129150-35111	GASKET	1							
25	2	22190-220002	WASHER, SEAL 22	1							
26	2	119609-32040	O-RING, P16	4							
27	2	22190-100002	WASHER, SEAL 10	2							
28	2	24311-240100	O-RING, 1AP10A	1							
29	1	129400-92420	FLEX HORN	1							1
30	1	977770-01212	GASKET, LIQUID	1							1

N:Old $\frac{100}{100}$ New. Q:Old $\frac{100}{100}$ New. R:Old $\frac{100}{100}$ New. S:Old $\frac{100}{100}$ New. W:Add. Z:Discontinued. F:Interchangeable by set. K:Qty Change
Copyright (C) YANMAR CO., LTD. All Rights Reserved.

Fig.17. FUEL INJECTION PUMP(INNER PARTS)



Remarks
 (1) GOVERNOR ASSY(FIG.18) IS
 INCORPORATED IN THIS FOP.CMP
 (REF.NO.1).

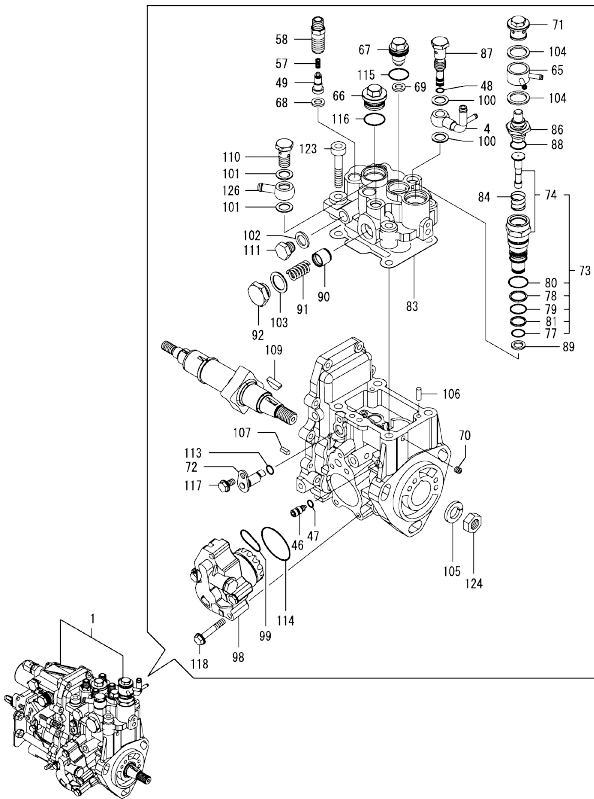
No.	Lev.	Parts No.	Description	Q'ty						I	R
				(A)	(B)	(C)	(D)	(E)	(F)		
1	1	729645-51301	PUMP ASSY, INJECTION	1							1
4	2	158552-51670	JOINT, OVER FLOW	1							
46	2	158600-51270	STOPPER, TAPPET	1							
47	2	158563-51281	O-RING, 4D S6	1							
48	2	158563-51281	O-RING, 4D S6	1							
49	2	158560-51300	VALVE ASSY, DELIVERY	4							
57	2	158563-51330	SPRING, DELIVERY	4							
58	2	158601-51340	HOLDER, DELIVERY	4							
65	2	158553-51551	JOINT	1							
66	2	158601-51550	PLUG	1							
67	2	119802-51560	PLUG, BARREL	1							
68	2	158552-51570	GASKET	4							
69	2	158552-51570	GASKET	1							
70	2	158557-51570	PLUG	1							
71	2	158601-51570	PLUG	1							
72	2	158552-51580	LIFTER	1							
73	2	119802-51590	TIMER SET	1							
74	3	119802-51600	TIMER ASSY	1							
77	3	158553-51670	O-RING, 1011	1							
78	3	119802-51680	RING, BACK UP	1							
79	3	119802-51690	O-RING	1							
80	3	24356-010200	O-RING, 4D1020	1							
81	3	24372-000150	RING, BACK UP T2P15	1							
83	2	158552-51600	GASKET	1							
84	2	158553-51630	SPRING, TIMER	1							
86	2	158553-51640	ELEMENT	1							
87	2	158601-51650	JOINT, OVER FLOW	1							
88	2	158553-51660	O-RING, P14	1							
89	2	158553-51680	GASKET	1							
90	2	158601-51770	PISTON	1							
91	2	158552-51780	SPRING	1							
92	2	158601-51790	PLUG	1							
98	2	158552-52100	PUMP ASSY, FUEL FEED	1							
99	2	158552-52310	O-RING	1							
100	2	22190-120002	WASHER, SEAL 12	2							
101	2	22190-120002	WASHER, SEAL 12	2							
102	2	22190-120002	WASHER, SEAL 12	1							
103	2	22190-180002	WASHER, SEAL 18	1							
104	2	22190-180002	WASHER, SEAL 18	2							
105	2	22217-140000	WASHER, SPRING 14	1							
106	2	22312-050140	PIN, PARALLEL M5X14	2							
107	2	22351-050010	PIN, SPRING 5.0X10	2							
109	2	119802-51090	KEY, 4X16	1							
110	2	23857-060000	BOLT, JOINT 6	1							
111	2	23887-120002	PLUG, 12	1							
113	2	24311-000070	O-RING, 1AP7.0	1							
114	2	158552-52400	O-RING, 4E S42	1							
115	2	24356-010180	O-RING, 4D1018	1							
116	2	24356-010200	O-RING, 4D1020	1							
117	2	26106-060102	BOLT, M6X 10 PLATED	1							
118	2	158553-51770	BOLT	4							

N:Old $\frac{New}{Old}$ New, Q:Old $\frac{New}{Old}$ New, R:Old $\frac{New}{Old}$ New, S:Old $\frac{New}{Old}$ New, W:Add, Z:Discontinued, F:Interchangeable by set, K:Q'ty Change
 ++ CONTINUE ++
 Copyright (C) YANMAR CO., LTD. All Rights Reserved.

OCV10-M86600

Fig.17. FUEL INJECTION PUMP(INNER PARTS)

図号: 333700V8660-1
 更新年月: 2005.04
 REVISED April, 2005



No.	Lev.	Parts No.	Description	Q'ty					
				(A)	(B)	(C)	(D)	(E)	(F)
123	2	26450-080452	BOLT, M8X 45	4					
124	2	26776-140002	NUT, LOCK M14	1					
126	2	129916-59020	JOINT, PIPE 12	1					

(A)=4TNV88-KNSV
 (B)=
 (C)=

(D)=
 (E)=
 (F)=

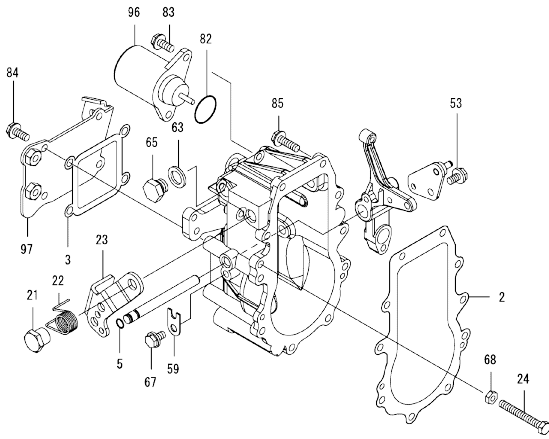
Remarks
 (1) GOVERNOR ASSY(FIG.18) IS
 INCORPORATED IN THIS FOP.CMP
 (REF.NO.1).

N:Old $\frac{100}{100}$ New, Q:Old $\frac{100}{100}$ New, R:Old $\frac{100}{100}$ New, S:Old $\frac{100}{100}$ New, W:Add, Z:Discontinued, F:Interchangeable by set, K:Q'ty Change
 Copyright (C) YANMAR CO., LTD. All Rights Reserved.

OCV10-M86600

Fig.18. GOVERNOR (INNER PARTS)

零件名: 333700V8660-1
更新年月: 2005.04
REVISED April, 2005



No.	Lev.	Parts No.	Description	Q'ty						I	R
				(A)	(B)	(C)	(D)	(E)	(F)		
2	2	158553-61050	GASKET	1							
3	2	158553-61070	GASKET	1							
5	2	129155-51280	O-RING, S6	1							
21	2	129255-61410	NUT, LOCK	1							
22	2	119807-61420	SPRING, RETURN	1							
23	2	158552-61441	LEVER, REGULATOR	1							
24	2	129155-61460	BOLT, IDLE	1							
53	2	26106-060102	BOLT, M6X 10 PLATED	1							
59	2	119660-61901	RETAINER, SHAFT	1							
63	2	22190-120000	WASHER, SEAL 12	1							
65	2	23887-120002	PLUG, 12	1							
67	2	26106-060102	BOLT, M6X 10 PLATED	1							
68	2	26756-060002	NUT, LOCK M6	1							
82	2	24341-000280	O-RING, 1AS28.0	1							
82-1	2	158552-61900	O-RING	1							N
(A=EXXXXX)											
83	2	26106-060142	BOLT, M6X 14 PLATED	2							
84	2	26106-060142	BOLT, M6X 14 PLATED	4							
85	2	26106-060202	BOLT, M6X 20 PLATED	10							
96	2	119653-77950	SOLENOID, STOP	1							
97	2	158552-61061	COVER, GOVERNOR CASE	1							

Remarks

* THIS FIGURE(GOVERNOR ASSY)IS
INCORPORATED IN THE FUEL INJECTION
PUMP ASSY(FIG.17).

N:Old $\frac{100}{100}$ New, Q:Old $\frac{100}{100}$ New, R:Old $\frac{100}{100}$ New, S:Old $\frac{100}{100}$ New, W:Add, Z:Discontinued, F:Interchangeable by set, K:Q'ty Change
Copyright (C) YANMAR CO., LTD. All Rights Reserved.

Parts No. Index

Parts No.	Fig. No.	Ref. No.	Parts No.	Fig. No.	Ref. No.	Parts No.	Fig. No.	Ref. No.	Parts No.	Fig. No.	Ref. No.
105325-59570	13	6	119802-03110	4	40	121550-23200	8	30	129004-49721	10	40
114250-39450	9	6	119802-03120	4	41	121850-21680	8	11	129005-03080	5	1
114250-53080	12	5	119802-03130	4	42	121850-51960	2	21	129005-11100	4	10
114250-53120	12	10	119802-03140	4	43		16	3	129005-22080	8	17
114250-53130	12	11	119802-11260	4	25	123900-13610	6	3	129005-22500	8	19
114250-53140	12	12	119802-11270	4	26	123900-13630	6	4	129005-22900	8	33
114250-53210	12	13	119802-21200	8	5	123951-03330	9	32	129005-22950	8	35
114250-53400	12	14	119802-21650	8	9	124060-01050	1	10	129005-59830	9	9
119005-12571	5	18	119802-25051	7	9	124066-59100	12	51	129006-35100	9	20
119131-18320	6	5	119802-25100	7	10	124160-01751	2	14	129006-44480	9	25
119160-12060	5	11	119802-25901	7	14		4	49	129062-12560	5	17
119260-34810	9	2	119802-32070	2	8	124160-01910	1	5	129100-01580	3	1
119593-59580	12	58	119802-32100	2	7			15			15
119609-32040	2	17	119802-32110	2	18	124160-11360	4	51		8	2
	16	26	119802-32120	2	19	124160-39140	9	7	129100-01640	3	16
119620-01750	3	3	119802-32130	2	20	124240-01871	2	15	129100-11110	4	11
119620-77380	15	4	119802-34850	9	15	124395-49840	10	17	129100-23910	8	29
119620-77421	15	8	119802-35110	9	21		16	16	129100-42051	10	3
119620-77440	15	13	119802-39450	9	8	124450-44510	10	42	129100-42121	10	4
119620-77461	15	15	119802-49112	10	10	124450-44530	10	44	129100-55690	13	9
119620-77471	15	16	119802-49730	10	37	124450-44550	10	48	129103-49301	9	36
119620-77480	15	20	119802-51090	17	109	124450-44560	10	45	129120-77501	5	8
119620-77490	15	29	119802-51560	17	67	124460-11340	4	16	129129-77230	14	8
119620-79200	15	9	119802-51590	17	73		16	4	129129-77240	14	9
119620-79210	15	10	119802-51600	17	74	124465-44950	10	33			43
119620-79220	15	11	119802-51680	17	78			34	129129-77260	14	21
119620-79230	15	12	119802-51690	17	79		16	18			52
119620-79240	15	5	119802-55610	13	1	124574-44761	10	23	129129-77270	14	22
119620-79250	15	6	119802-55700	13	7	124722-59050	10	38			53
119620-79260	15	18	119802-55710	13	8			41	129129-77290	14	24
119620-79270	15	19	119802-55800	13	2		12	53	129129-77320	14	28
119620-79280	15	21	119802-59550	12	52			56	129129-77340	14	30
119620-79290	15	22	119802-59560	12	54	124766-59050	13	5			60
119620-79300	15	23	119802-59959	12	60	126650-12680	5	20	129129-77350	14	31
119620-79310	15	24	119802-77200	15	34	128300-77920	15	35			61
119620-79320	15	25	119802-77320	15	1	129001-01250	1	11	129129-77362	14	32
119620-79330	15	26	119807-61420	18	22	129001-02930	1	25			35
119620-79340	15	27	119808-12540	5	16	129001-32330	2	11	129129-77370	14	62
119620-79350	15	28	119810-77340	15	33	129001-91841	2	22	129129-77380	14	34
119620-79360	15	7	119865-21600	8	16	129004-01190	1	33	129129-77400	14	16
		30	120130-11860	4	5	129004-03010	4	38	129129-77410	14	17
119625-11872	4	18	120270-54410	4	22	129004-11650	4	30	129129-77420	14	19
	16	5	121023-01550	2	28	129004-11900	4	20	129129-77430	14	20
119625-11880	4	19	121111-21501	8	12	129004-13200	6	7	129129-77440	14	14
	16	6	121250-44901	10	32		16	10	129129-77450	14	15
119640-01640	3	9	121256-44600	10	49	129004-42000	10	1	129129-77460	14	3
119653-77950	18	96	121267-44741	10	22	129004-42040	10	15	129150-01200	1	31
119660-61901	18	59	121400-11340	4	15	129004-49610	10	35	129150-02020	1	7
119802-01520	2	12		16	11	129004-49620	10	39	129150-02450	7	4
119802-01560	2	13	121450-42450	10	31	129004-49711	10	36	129150-02870	1	34

Parts No. Index

Parts No.	Fig. No.	Ref. No.	Parts No.	Fig. No.	Ref. No.	Parts No.	Fig. No.	Ref. No.	Parts No.	Fig. No.	Ref. No.
129150-02930	1	28	129407-77390	14	13	129601-34800	9	1	158560-51300	17	49
129150-02940	1	37	129407-77410	14	18	129601-51250	11	4	158563-51281	17	47
129150-03070	4	39	129410-03990	5	2	129601-59810	12	35			48
129150-11230	4	31	129417-33110	9	19	129601-59820	12	39	158563-51330	17	57
129150-11280	4	27	129417-35150	9	22	129601-59830	12	43	158600-51270	17	46
129150-11370	4	17	129418-12530	5	14	129601-59840	12	47	158601-51340	17	58
129150-11750	4	33	129418-32320	2	10	129602-12100	5	3	158601-51550	17	66
129150-11810	4	7	129423-21570	8	13	129602-53001	12	2	158601-51570	17	71
129150-14101	7	7	129423-77200	15	2	129609-12510	5	12	158601-51650	17	87
129150-14200	7	1	129423-77710	15	17	129609-12520	5	13	158601-51770	17	90
129150-14400	7	2	129429-77011	14	1 -1	129612-01600	3	2	158601-51790	17	92
129150-23600	8	31	129429-77210	14	40	129795-01780	3	18	171008-03990	9	28
129150-23610	8	39	129429-77220	14	41	129795-01800	2	6	171051-01921	1	6
129150-25301	7	15	129429-77230	14	42	129795-01900	15	32	171056-49120	9	26
129150-35041	9	3	129429-77250	14	46	129795-01950	2	16	22190-080002	9	11
	16	12	129429-77270	14	55	129795-02411	1	14			13
129150-35111	9	23	129429-77280	14	56	129795-11120	4	12		16	17
	16	24	129429-77290	14	57	129795-11180	4	13	22190-100002	9	12
129150-35151	9	24	129429-77310	14	37	129795-21661	8	10		16	27
129150-49811	10	26	129429-77320	14	58	129795-49551	10	28	22190-120000	18	63
	16	15	129429-77330	14	59		16	14	22190-120002	17	100
129150-59120	12	26	129429-77340	14	63	129900-07900	4	53			101
129150-59131	12	29	129429-77350	14	47	129900-12530	5	15			102
		33	129429-77360	14	48	129900-32130	2	9	22190-180002	17	103
129150-77511	5	9	129429-77370	14	49	129916-59020	17	126			104
	16	8	129429-77380	14	50	129930-13200	6	7 -1	22190-220002	3	11
129155-49800	10	25	129429-77390	14	51		16	10 -1		16	25
129155-51280	18	5	129436-01780	3	8	158552-51151	7	17	22217-140000	7	18
129155-61460	18	24	129436-35091	9	4	158552-51570	17	68		17	105
129202-22300	8	23	129486-01670	3	19		69		22252-000260	8	24
129210-59090	13	4	129486-42021	10	14	158552-51580	17	72	22312-050140	17	106
129240-79300	15	14		16	13	158552-51600	17	83	22351-030010	8	8
129255-61410	18	21	129486-42140	10	16	158552-51670	17	4	22351-050010	17	107
129350-49530	10	27		16	22	158552-51780	17	91	22351-060012	4	21
129400-01730	3	6	129486-59510	12	57	158552-52100	17	98	22512-070140	7	8
129400-13101	6	1	129486-59551	12	55	158552-52310	17	99		8	6
129400-92420	16	29	129508-33010	9	18	158552-52400	17	114	22857-500100	4	47
129403-42380	10	20	129508-49030	9	27	158552-61061	18	97			48
129407-01340	1	32	129508-49040	9	31	158552-61441	18	23	23061-070230	10	46
	16	2	129550-13110	6	2	158552-61900	18	82 -1	23080-015000	9	30
129407-12110	5	5		16	9	158553-51551	17	65			34
	16	23	129550-59120	12	30	158553-51630	17	84	23080-018000	9	35
129407-77010	14	1	129601-11241	4	24	158553-51640	17	86	23414-080000	10	30
129407-77210	14	6	129601-11251	4	28	158553-51660	17	88	23857-030000	9	10
129407-77220	14	7	129601-11310	4	46	158553-51670	17	77	23857-060000	17	110
129407-77250	14	10		16	7	158553-51680	17	89	23875-020000	10	12
129407-77280	14	23	129601-11350	4	37	158553-51770	17	118	23875-030000	10	13
129407-77300	14	25	129601-11700	4	1	158553-61050	18	2	23876-010000	10	11
129407-77310	14	27	129601-13500	6	8	158553-61070	18	3	23876-030000	2	4
129407-77330	14	29	129601-21000	8	1	158557-51570	17	70	23876-040000	2	5

Parts No. Index

Parts No.	Fig. No.	Ref. No.
23887-120002	17	111
	18	65
24311-000070	17	113
24311-000120	4	52
	16	19
24311-000160	13	11
24311-000320	2	23
	4	50
	16	20
24311-240100	9	16
	16	28
24321-000650	13	10
24341-000240	2	29
	16	21
24341-000280	18	82
24356-010180	17	115
24356-010200	17	80
		116
24372-000150	17	81
25132-003800	10	21
26014-060252	10	24
26106-060102	17	117
	18	53
		67
26106-060142	18	83
		84
26106-060162	2	30
26106-060202	18	85
26106-080122	10	47
26106-080142	4	54
	7	16
26106-080162	2	24
		25
	3	12
	9	17
	10	18
	11	2
26106-080202	5	6
	9	37
	11	3
26106-080222	10	29
26106-080252	3	13
	4	35
26106-080302	13	3
26106-080352	3	20
	4	23
	5	10
	9	5
26106-080402	7	13
26106-080452	3	14

Parts No.	Fig. No.	Ref. No.
26106-080452	3	14 -1
26106-080502	3	22
	4	36
26106-080552	2	26
26106-080602	10	19
26106-080802	5	7
26116-120252	14	64
26206-100252	3	4
26206-100302	3	5
26226-080182	4	34
26306-080002	2	27
	6	6
26306-100002	15	31
26366-060002	9	14
26450-080452	17	123
26577-060152	10	8
26756-060002	18	68
26776-140002	7	19
	17	124
27241-120000	1	12
27241-300000	1	13
27241-400000	4	9
27310-080001	4	14
719802-01500	2	1
729402-14580	7	3
729402-23100	8	25
729601-92600	16	1
729602-01560	1	1
729602-53101	12	1
729645-51301	11	1
	17	1
977770-01212	2	31
	3	21
	16	30
X0280210230	14	11
X0283060061	14	2
		36
X0283270140	14	12
X9490561001	15	3
X9490561370	14	4
		38
X9491200240	14	5
		39
X9491730461	14	26

Parts No.	Fig. No.	Ref. No.
-----------	----------	----------

Parts No.	Fig. No.	Ref. No.
-----------	----------	----------