

0CW10-M66900EN

P R E F A C E

1. This parts catalog is the 1st edition of 4TNV88-KIRD for DOOSAN INFRACORE PORTABLE POWER.

Pub.No. : 0CW10-G66900

Published : September, 2010

2. Model name

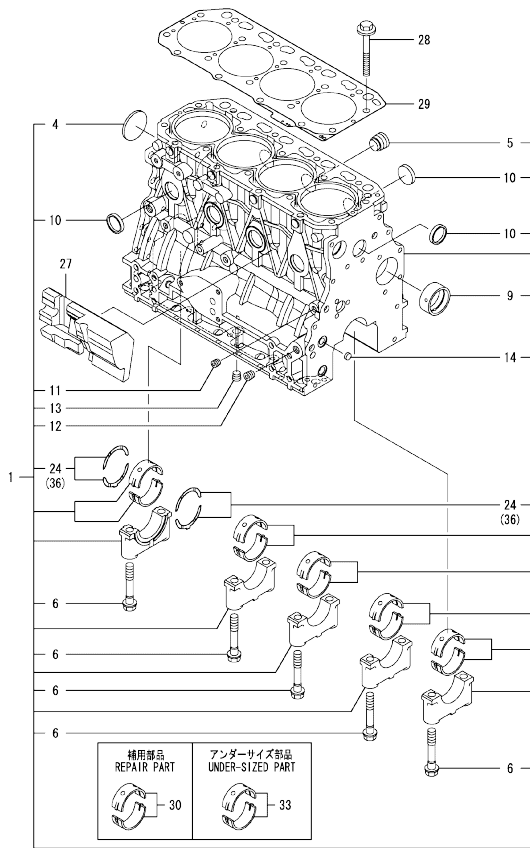
Engine model	Vehicle	Vehicle made by
4TNV88-KIRD	COMPRESSOR	DOOSAN INFRACORE PORTABLE POWER

Contents

0CW10-M66900

Fig. No.	Fig. Name	Fig. No.	Fig. Name
4	TNV88-KIRD		
1.	CYLINDER BLOCK		
2.	GEAR HOUSING		
3.	FLYWHEEL HOUSING & OIL SUMP		
4.	CYLINDER HEAD & BONNET		
5.	SUCTION MANIFOLD		
6.	EXHAUST MANIFOLD		
7.	CAMSHAFT & DRIVING GEAR		
8.	CRANKSHAFT & PISTON		
9.	LUB. OIL SYSTEM		
10.	COOLING WATER SYSTEM		
11.	FUEL INJECTION PUMP		
12.	GOVERNOR		
13.	FUEL INJECTION VALVE		
14.	FUEL LINE		
15.	STARTING MOTOR		
16.	GENERATOR		
17.	GASKET SET		

Fig.1. CYLINDER BLOCK



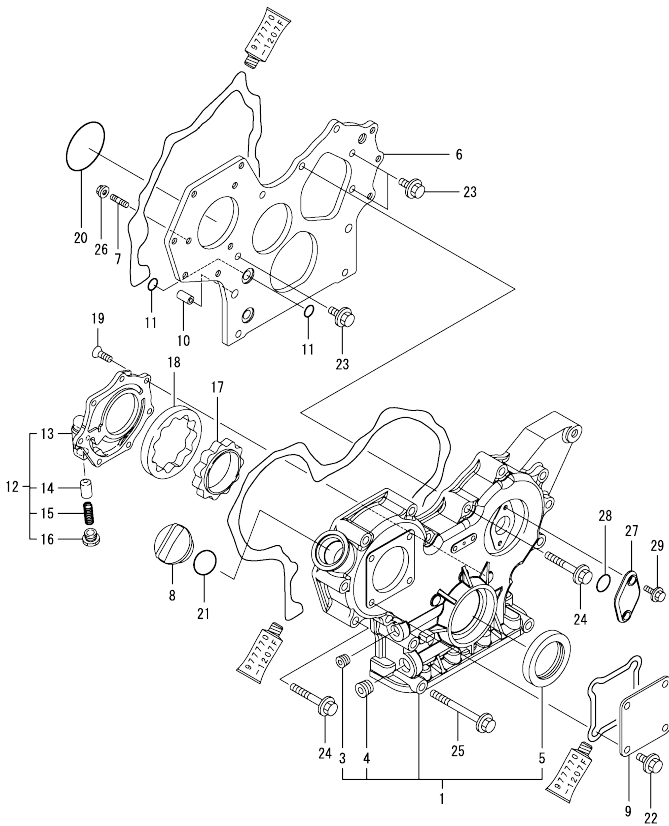
(A)=4TNV88-KIRD
(B)=
(C)=

(D)=
(E)=
(F)=

No.	Lev.	Parts No.	Description	Q'ty						I	R
				(A)	(B)	(C)	(D)	(E)	(F)		
1	1	729602-01560	BLOCK ASSY, CYLINDER	1							
4	2	129001-01250	PLUG, 50	1							
5	2	171051-01921	PLUG, NPTF1	1							
6	2	129150-02020	BOLT, METAL CAP	10							
9	2	129795-02412	BUSH, CAMSHAFT	1							
10	2	27241-300000	PLUG 30	8							
11	2	124060-01050	PLUG, PT1/8	1							
12	2	124160-01910	PLUG, PT1/4	2							
13	2	124160-01910	PLUG, PT1/4	1							
14	2	27241-120000	PLUG, 12	2							
24	2	129150-02931	BEARING, THRUST	2							
27	1	129004-01190	SPACER	1							
28	1	129150-01200	BOLT, HEAD	18							
29	1	129407-01340	GASKET, HEAD	1							
30	1	129001-02931	BEARING, MAIN	5							1
33	1	129150-02871	BEARING, 0.25 US	5							2
36	1	129150-02941	BEARING, THRUST 0.25	1							3

Remarks
 (1)Repair part.
 (2)Under-sized(U.S.=0.25)part.
 (3)Over-sized(O.S.=0.25)part.

Fig.2. GEAR HOUSING

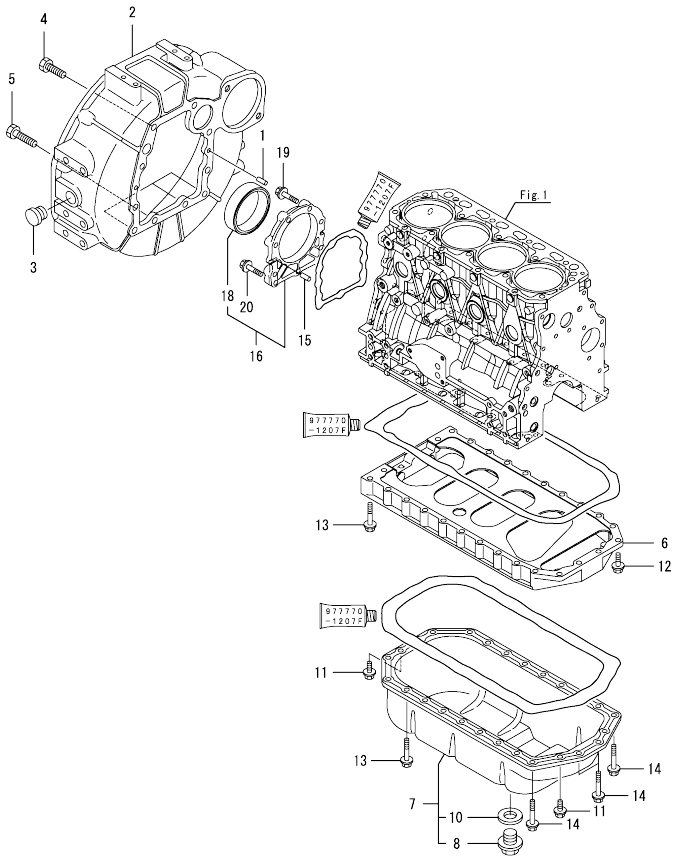


(A)=4TNV88-KIRD
(B)=
(C)=

(D)=
(E)=
(F)=

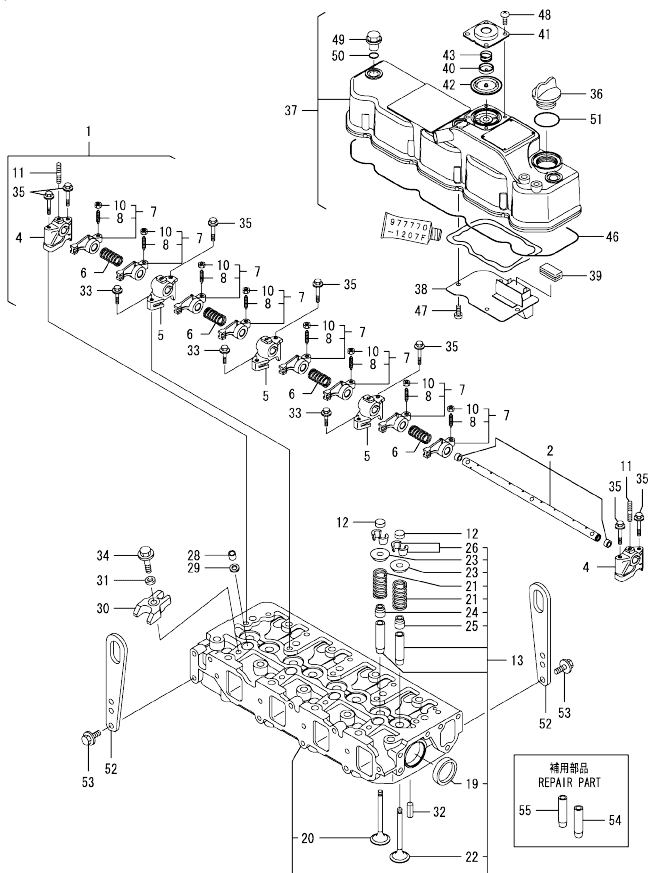
No.	Lev.	Parts No.	Description	Q'ty						I	R
				(A)	(B)	(C)	(D)	(E)	(F)		
1	1	729233-01500	CASE ASSY, GEAR	1							
3	2	23876-030000	PLUG, R03	1							
4	2	23876-040000	PLUG, R04	1							
5	2	119934-01800	SEAL, OIL	1							
6	1	119802-01520	FLANGE, GEAR CASE	1							
7	1	119802-01561	STUD, M8X25	3							
8	1	124160-01751	COVER, FILLER	1							
9	1	124240-01871	COVER	1							
10	1	129795-01950	PIPE, KNOCK L=18	2							
11	1	119609-32040	O-RING, P16	4							
12	1	119802-32100	COVER ASSY	1							
13	2	119802-32070	COVER	1							
14	2	129900-32130	VALVE, RELIEF	1							
15	2	129418-32320	SPRING	1							
16	2	129001-32330	PLUG	1							
17	1	119802-32111	ROTOR, INNER	1							
18	1	119802-32120	ROTOR, OUTER	1							
19	1	119802-32130	SCREW, M6X16	7							
20	1	121850-51960	O-RING	1							
21	1	24311-000320	O-RING, 1AP32.0	1							
22	1	26106-080162	BOLT, M8X 16 PLATED	4							
23	1	26106-080162	BOLT, M8X 16 PLATED	3							
24	1	26106-080552	BOLT, M8X 55 PLATED	12							
25	1	26106-080852	BOLT, M8X 85 PLATED	3							
26	1	26306-080002	NUT, M8	3							
27	1	121023-01551	COVER	1							
28	1	24341-000240	O-RING, 1AS24.0	1							
29	1	26106-060162	BOLT, M6X 16 PLATED	2							

Fig.3. FLYWHEEL HOUSING & OIL SUMP



No.	Lev.	Parts No.	Description	Q'ty						I	R
				(A)	(B)	(C)	(D)	(E)	(F)		
1	1	129100-01580	PIN, M8X16	2							
2	1	171420-01600	HOUSING, FLYWHEEL	1							
3	1	119620-01750	CAP	1							
4	1	26206-100252	BOLT, M10X 25 PLATED	6							
5	1	26206-100302	BOLT, M10X 30 PLATED	4							
6	1	129400-01730	SPACER, OIL SUMP	1							
7	1	129436-01780	SUMP ASSY, OIL	1							
8	2	119640-01640	PLUG, DRAIN M22	1							
10	2	22190-220002	WASHER, SEAL 22	1							
11	1	26106-080162	BOLT, M8X 16 PLATED	4							
12	1	26106-080252	BOLT, M8X 25 PLATED	2							
13	1	26106-080452	BOLT, M8X 45 PLATED	20							
14	1	26106-080502	BOLT, M8X 50 PLATED	4							
15	1	129100-01580	PIN, M8X16	2							
16	1	129100-01640	CASE ASSY, OIL SEAL	1							
18	2	129795-01780	SEAL, OIL	1							
19	1	129486-01670	BOLT, M8X30	6							
20	1	26106-080352	BOLT, M8X 35 PLATED	3							

Fig.4. CYLINDER HEAD & BONNET



(A)=4TNV88-KIRD
(B)=
(C)=

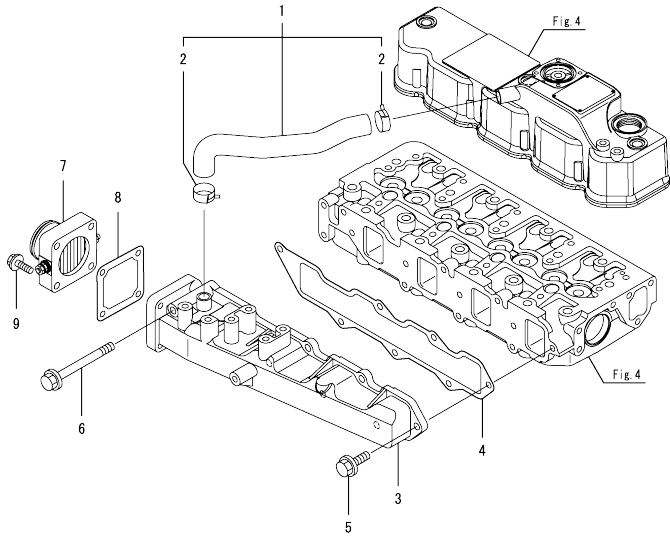
(D)=
(E)=
(F)=

No.	Lev.	Parts No.	Description	Q'ty						I	R
				(A)	(B)	(C)	(D)	(E)	(F)		
1	1	129601-11241	SHAFT ASSY, ROCKER	1							
2	2	129601-11251	SHAFT, ROCKER ARM	1							
4	2	119802-11260	SUPPORT, ROCKER ARM	2							
5	2	119802-11270	SUPPORT, ROCKER ARM	3							
6	2	129150-11280	SPRING	4							
7	2	129004-11650	ARM, ROCKER	8							
8	3	129150-11230	SCREW, VALVE ADJUST	8							
10	3	129150-11750	NUT, M8	8							
11	2	26226-080182	STUD, M8X 18	3							
12	1	129150-11370	CAP, VALVE	8							
13	1	129601-11700	HEAD ASSY, CYLINDER	1							
19	2	27241-400000	PLUG, 40	2							
20	2	129100-11112	VALVE, EXHAUST	4							
21	2	129795-11120	SPRING, VALVE	8							
22	2	129004-11130	VALVE, INTAKE	4							
23	2	129795-11180	RETAINER, SPRING	8							
24	2	121400-11340	SEAL, VALVE STEM	4							
25	2	124460-11340	SEAL, VALVE STEM	4							
26	2	27310-080001	COTTER, 8	8							
28	1	119802-11870	PROTECTOR, NOZZLE	4							
29	1	119625-11880	SEAT, NOZZLE	4							
30	1	129004-11900	RETAINER, NOZZLE	4							
31	1	120270-54410	WASHER, INJECTOR	4							
32	1	22351-060012	PIN, SPRING 6.0X12	2							
33	1	26106-080252	BOLT, M8X 25 PLATED	3							
34	1	26106-080352	BOLT, M8X 35 PLATED	4							
35	1	26106-080502	BOLT, M8X 50 PLATED	7							
36	1	124160-01751	COVER, FILLER	1							
37	1	129601-11350	BONNET ASSY, HEAD	1							
38	2	129004-03010	PLATE	1							
39	2	129150-03070	BAFFLE, BREATHER	1							
40	2	119802-03110	PLATE	1							
41	2	119802-03121	COVER, DIAPHRAGM	1							
42	2	119802-03130	DIAPHRAGM	1							
43	2	119802-03141	SPRING, DIAPHRAGM	1							
46	2	129601-11310	GASKET, BONNET	1							
47	2	22857-500100	SCREW, 5X10	4							
48	2	22857-500100	SCREW, 5X10	4							
49	1	124160-11360	KNOB	3							
50	1	24311-000120	O-RING, 1AP12.0	3							
51	1	24311-000320	O-RING, 1AP32.0	1							
52	1	129900-07900	LIFTER	2							
53	1	26106-080162	BOLT, M8X 16 PLATED	4							1
54	1	120130-11860	GUIDE, VALVE	4							1
55	1	129150-11810	GUIDE, VALVE	4							1

Remarks
(1)Repair part.

N:Old $\frac{100}{100}$ New, Q:Old $\frac{100}{100}$ New, R:Old $\frac{100}{100}$ New, S:Old $\frac{100}{100}$ New, W:Add, Z:Discontinued, F:Interchangeable by set, K:Q'ty Change
Copyright (C) YANMAR CO., LTD. All Rights Reserved.

Fig.5. SUCTION MANIFOLD

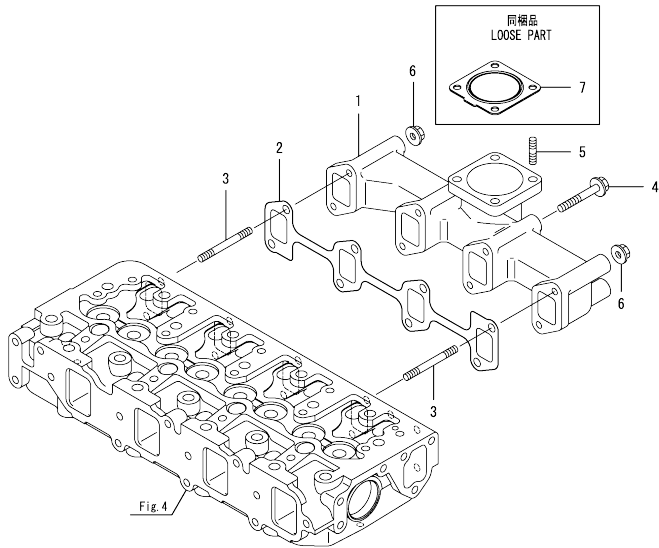


(A)=4TNV88-KIRD
(B)=
(C)=

(D)=
(E)=
(F)=

No.	Lev.	Parts No.	Description	Q'ty					
				(A)	(B)	(C)	(D)	(E)	(F)
1	1	129601-03080	PIPE , BREATHER	1					
2	2	129410-03990	CLIP	2					
3	1	129601-12100	MANIFOLD, AIR INTAKE	1					
4	1	129407-12110	GASKET, MANIFOLD	1					
5	1	26106-080202	BOLT, M8X 20 PLATED	6					
6	1	26106-080802	BOLT, M8X 80 PLATED	1					
7	1	129120-77502	HEATER	1					
8	1	129150-77511	GASKET	1					
9	1	26106-080352	BOLT, M8X 35 PLATED	4					

Fig.6. EXHAUST MANIFOLD

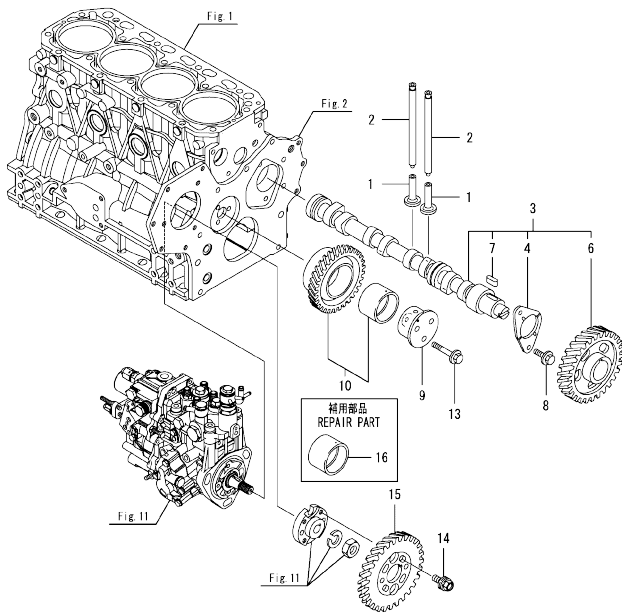


(A)=4TNV88-KIRD
(B)=
(C)=

(D)=
(E)=
(F)=

No.	Lev.	Parts No.	Description	Qty					
				(A)	(B)	(C)	(D)	(E)	(F)
1	1	129411-13100	MANIFOLD, EXHAUST	1					
2	1	129550-13110	GASKET	1					
3	1	123900-13610	STUD, M8X80	2					
4	1	123900-13630	BOLT, M8X80	6					
5	1	119131-18320	STUD, M8X22	4					
6	1	26306-080002	NUT, M8	2					
7	1	129930-13201	GASKET, SILENCER	1					

Fig.7. CAMSHAFT & DRIVING GEAR



(A)=4TNV88-KIRD
(B)=
(C)=

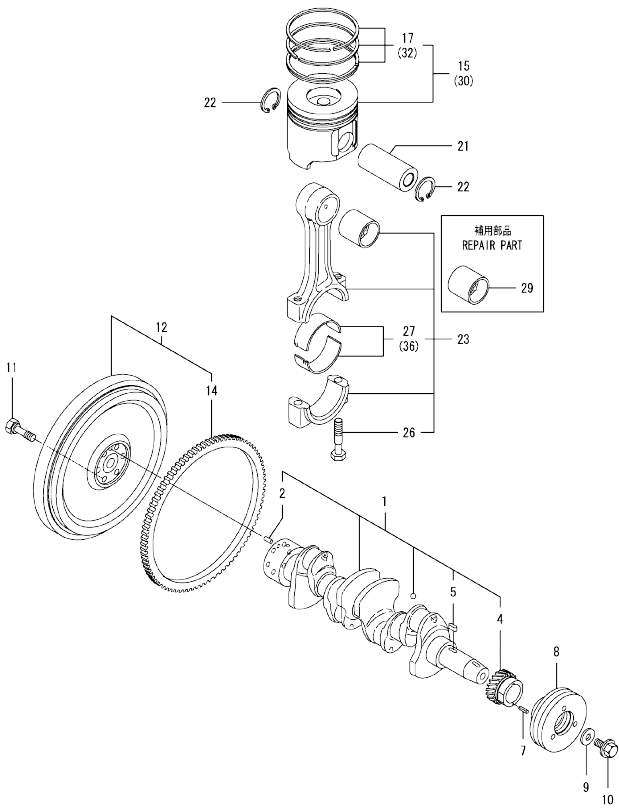
(D)=
(E)=
(F)=

No.	Lev.	Parts No.	Description	Q'ty						I	R
				(A)	(B)	(C)	(D)	(E)	(F)		
1	1	129150-14200	TAPPET	8							
2	1	129150-14400	ROD, PUSH L=178	8							
3	1	729402-14580	CAMSHAFT ASSY	1							
4	2	129150-02450	BEARING, THRUST	1							
6	2	129150-14101	GEAR, CAMSHAFT	1							
7	2	22512-070140	KEY, 7X 14	1							
8	1	26106-080142	BOLT, M8X 14 PLATED	2							
9	1	119802-25051	SHAFT, IDLE	1							
10	1	119802-25101	GEAR ASSY, IDLE	1							
13	1	26106-080402	BOLT, M8X 40 PLATED	3							
14	1	129150-25301	BOLT	4							
15	1	119802-25901	GEAR, PUMP	1							
16	1	119802-25071	BUSH, IDLE GEAR	1							1

Remarks
(1)Repair part.

N:Old $\frac{100}{100}$ New, Q:Old $\frac{100}{100}$ New, R:Old $\frac{100}{100}$ New, S:Old $\frac{100}{100}$ New, W:Add, Z:Discontinued, F:Interchangeable by set, K:Qty Change
Copyright (C) YANMAR CO., LTD. All Rights Reserved.

Fig.8. CRANKSHAFT & PISTON



(A)=4TNV88-KIRD
(B)=
(C)=

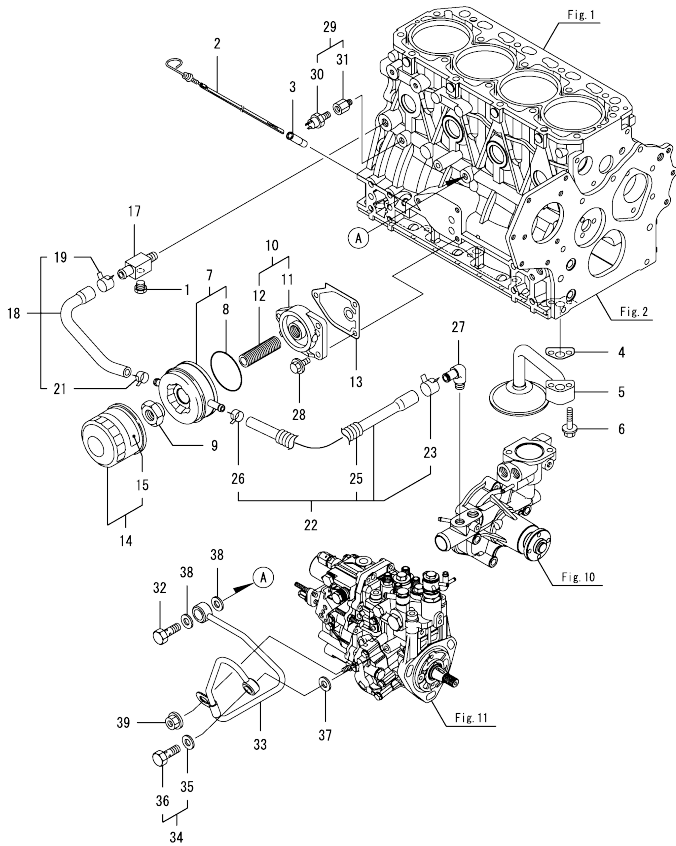
(D)=
(E)=
(F)=

No.	Lev.	Parts No.	Description	Q'ty						I	R
				(A)	(B)	(C)	(D)	(E)	(F)		
1	1	129601-21002	CRANKSHAFT ASSY	1							
2	2	129100-01580	PIN, M8X16	1							
4	2	119802-21202	GEAR, CRANKSHAFT	1							
5	2	22512-070140	KEY, 7X 14	1							
7	1	22351-030010	PIN, SPRING 3.0X10	1							
8	1	119802-21650	V-PULLEY, 110	1							
9	1	129795-21661	WASHER	1							
10	1	121850-21680	BOLT	1							
11	1	121111-21501	BOLT, FLYWHEEL	6							
12	1	129601-21570	FLYWHEEL ASSY	1							
14	2	124550-21600	GEAR, RING	1							
15	1	129005-22080	PISTON ASSY	4							
17	2	129005-22500	RING SET, PISTON	4							
21	1	129202-22300	PIN, PISTON D26 L70	4							
22	1	22252-000260	RING, 26	8							
23	1	729402-23100	ROD ASSY, CONNECTING	4							
26	2	121550-23200	BOLT, CONNECTING ROD	8							
27	2	129150-23601	BEARING, CRANK PIN	4							
29	1	129100-23910	BEARING, PISTON PIN	4							1
30	1	129005-22900	PISTON ASSY, 0.25 OS	4							2
32	2	129005-22950	RING SET, 0.25 OS	4							2
36	1	129150-23611	BEARING, 0.25 US	4							3

Remarks

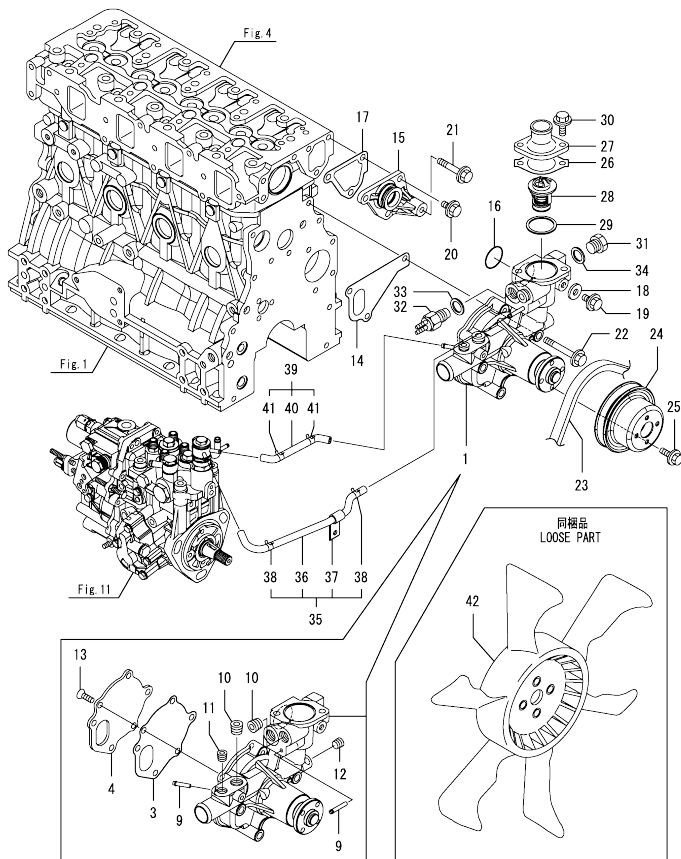
- (1)Repair part.
- (2)Over-sized(O.S.=0.25)part.
- (3)Under-sized(U.S.=0.25)part.

Fig.9. LUB. OIL SYSTEM



No.	Lev.	Parts No.	Description	Q'ty						I	R
				(A)	(B)	(C)	(D)	(E)	(F)		
1	1	171056-49120	PLUG, DRAIN	1							
2	1	129004-34802	DIPSTICK, OIL	1							
3	1	121520-34810	GUIDE, DIPSTICK	1							
4	1	129150-35042	GASKET	1							
5	1	129436-35091	PIPE ASSY, OIL INLET	1							
6	1	26106-080352	BOLT, M8X 35 PLATED	2							
7	1	129508-33010	COOLER ASSY, OIL	1							
8	2	129508-33050	O-RING	1							
9	1	129417-33110	NUT	1							
10	1	129006-35100	BRACKET ASSY, FILTER	1							
11	2	119802-35110	BRACKET, FILTER	1							
12	2	129417-35150	STUD, L=67	1							
13	1	129150-35111	GASKET	1							
14	1	119802-35170	FILTER, 80X80L ASSY	1							
15	2	119802-07080	LABEL, L/O FILTER	1							
17	1	129006-44480	JOINT	1							
18	1	129508-49030	PIPE ASSY, WATER	1							
19	2	171008-03990	CLIP, HOSE 18.5	1							
21	2	23080-015000	CLAMP, 15	1							
22	1	129508-49040	PIPE ASSY, WATER	1							
23	2	171008-03990	CLIP, HOSE 18.5	1							
25	2	119940-59130	TUBE, CORRUGATED	1							
26	2	23080-015000	CLAMP, 15	1							
27	1	129103-49301	ELBOW, PT1/4	1							
28	1	26106-080202	BOLT, M8X 20 PLATED	3							
29	1	119940-39470	SWITCH	1							
30	2	119802-39460	SWITCH	1							
31	2	119285-39610	ADAPTER	1							
32	1	124160-39140	BOLT, PIPE JOINT M10	1							
33	1	119802-39450	PIPE ASSY, OIL	1							
34	1	129005-59830	BOLT ASSY, JOINT M8	1							
35	2	22190-080002	WASHER, SEAL 6	1							
36	2	23857-030000	BOLT, JOINT 3	1							
37	1	22190-080002	WASHER, SEAL 6	1							
38	1	22190-100002	WASHER, SEAL 10	2							
39	1	26366-060002	NUT, M6	1							

Fig.10. COOLING WATER SYSTEM



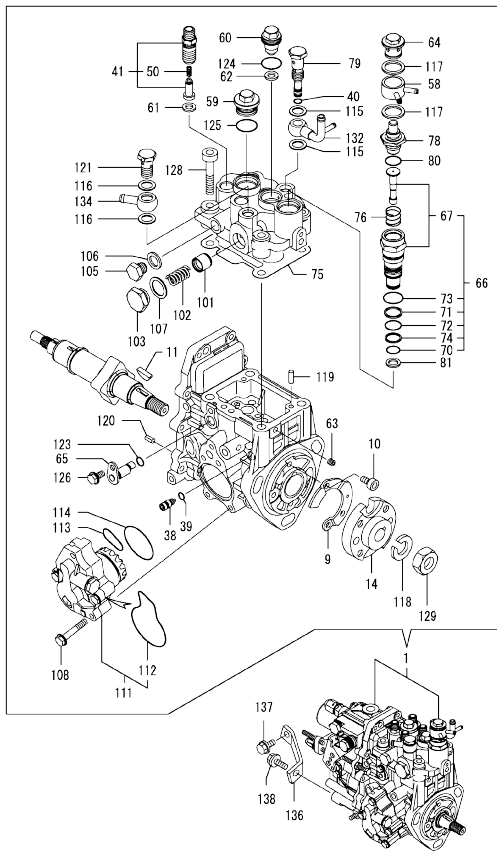
No.	Lev.	Parts No.	Description	Qty						I	R
				(A)	(B)	(C)	(D)	(E)	(F)		
1	1	129004-42001	PUMP ASSY, WATER	1							
3	2	129100-42051	GASKET, WATER PUMP	1							
4	2	129100-42121	PLATE	1							
9	2	119802-49113	JOINT, PIPE	2							
10	2	129916-49740	PLUG, R03	2							
11	2	23875-020000	PLUG, R02	1							
12	2	23876-010000	PLUG, R01	1							
13	2	26577-060142	SCREW M 6X 14	3							
14	1	129486-42021	GASKET, WATER PUMP	1							
15	1	129004-42040	JOINT	1							
16	1	129486-42140	O-RING, G30	1							
17	1	124395-49840	GASKET	1							
18	1	23414-080000	GASKET, 8X1.0	1							
19	1	26106-080122	BOLT, M8X 12 PLATED	1							
20	1	26106-080162	BOLT, M8X 16 PLATED	3							
21	1	26106-080452	BOLT, M8X 45 PLATED	1							
22	1	26106-080602	BOLT, M8X 60 PLATED	3							
23	1	25132-003800	V-BELT, A38	1							
24	1	129556-42350	V-PULLEY, 96	1							
25	1	26106-060162	BOLT, M6X 16 PLATED	4							
26	1	129795-49551	GASKET	1							
27	1	124101-49560	COVER, THERMOSTAT	1							
28	1	129155-49801	THERMOSTAT, 71	1							
29	1	129150-49811	GASKET, THERMOSTAT	1							
30	1	26106-080202	BOLT, M8X 20 PLATED	2							
31	1	121450-42450	PLUG, M16	1							
32	1	119843-44900	SWITCH, 110	1							
33	1	124465-44950	GASKET, 16	1							
34	1	124465-44950	GASKET, 16	1							
35	1	129004-49610	PIPE ASSY, WATER	1							
36	2	129004-49711	PIPE ASSY, WATER	1							
37	2	119802-49730	RETAINER, PIPE	1							
38	2	124722-59050	CLIP, HOSE 9	2							
39	1	129004-49620	PIPE ASSY, WATER	1							
40	2	129004-49721	PIPE ASSY, WATER	1							
41	2	124722-59050	CLIP, HOSE 9	2							
42	1	129612-44700	FAN, COOLING	1							

N:Old $\frac{New}{Old}$ New, Q:Old $\frac{New}{Old}$ New, R:Old $\frac{New}{Old}$ New, S:Old $\frac{New}{Old}$ New, W:Add, Z:Discontinued, F:Interchangeable by set, K:Qty Change
 Copyright (C) YANMAR CO., LTD. All Rights Reserved.

Fig.11. FUEL INJECTION PUMP

(A)=4TNV88-KIRD
(B)=
(C)=

(D)=
(E)=
(F)=

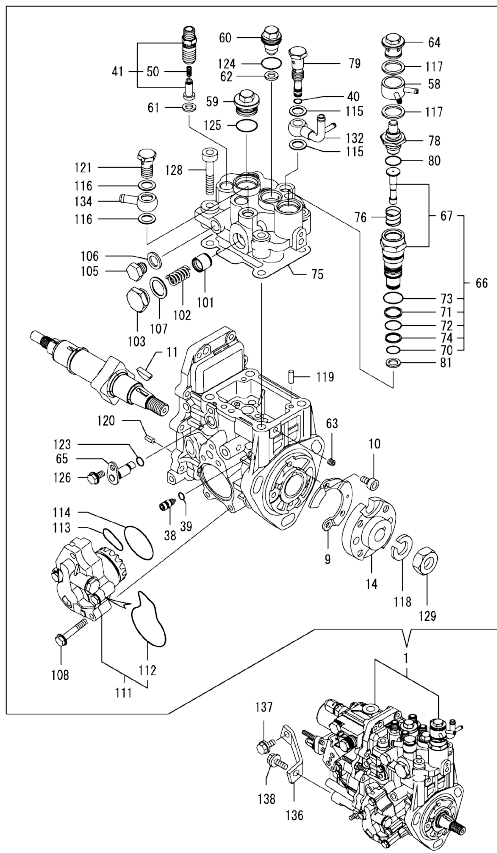


No.	Lev.	Parts No.	Description	Q'ty						I	R	
				(A)	(B)	(C)	(D)	(E)	(F)			
1	1	729642-51510	INJECTION PUMP ASSY	1							1	
9	2	129008-51900	COVER, GEAR CASE	1								
10	2	129008-51920	BOLT, M6X10	2								
11	2	119802-51090	KEY, 4X16	1								
14	2	158552-51151	FLANGE	1								
38	2	158600-51270	STOPPER, TAPPET	1								
39	2	158563-51281	O-RING, 4D S6	1								
40	2	158563-51281	O-RING, 4D S6	1								
41	2	129509-51390	VALVE ASSY, DELIVERY	4								
50	3	158563-51330	SPRING, DELIVERY	4								
58	2	158553-51551	JOINT	1								
59	2	158601-51550	PLUG	1								
60	2	119802-51560	PLUG, BARREL	1								
61	2	158552-51571	GASKET	4								
62	2	158552-51571	GASKET	1								
63	2	158557-51570	PLUG	1								
64	2	158601-51570	PLUG	1								
65	2	158552-51580	LIFTER	1								
66	2	119802-51590	TIMER SET	1								
67	3	119802-51600	TIMER ASSY	1								
70	3	158553-51670	O-RING, 1011	1								
71	3	119802-51680	RING, BACK UP	1								
72	3	119802-51690	O-RING	1								
73	3	24356-190200	O-RING, 4D19020	1								
74	3	24372-000150	RING, BACK UP T2P15	1								
75	2	158552-51600	GASKET	1								
76	2	158553-51630	SPRING, TIMER	1								
78	2	158553-51640	ELEMENT	1								
79	2	158601-51650	JOINT, OVER FLOW	1								
80	2	158553-51660	O-RING, P14	1								
81	2	158553-51680	GASKET	1								
101	2	158601-51770	PISTON	1								
102	2	158552-51781	SPRING	1								
103	2	158601-51790	PLUG	1								
105	2	158553-51930	PLUG, M12	1								
106	2	22190-120002	WASHER, SEAL 12	1								
107	2	22190-180002	WASHER, SEAL 18	1								
108	2	158553-51770	BOLT	4								
111	2	158552-52100	PUMP ASSY, FUEL FEED	1								
112	3	158552-52500	O-RING	1								
113	2	158552-52311	O-RING	1								
114	2	158552-52400	O-RING, 4E S42	1								
115	2	22190-120002	WASHER, SEAL 12	2								
116	2	22190-120002	WASHER, SEAL 12	2								
117	2	22190-180002	WASHER, SEAL 18	2								
118	2	22217-140000	WASHER, SPRING 14	1								
119	2	22312-050140	PIN, PARALLEL M5X14	2								
120	2	22351-050010	PIN, SPRING 5.0X10	2								
121	2	23857-060000	BOLT, JOINT 6	1								
123	2	24311-000070	O-RING, 1AP7.0	1								
124	2	24356-190180	O-RING, 4D19018	1								

Remarks
(1)Governor(Fig.12)is incorporated in this Fuel Injection Pump (Ref.1).

N:Old $\frac{100}{100}$ New, Q:Old $\frac{100}{100}$ New, R:Old $\frac{100}{100}$ New, S:Old $\frac{100}{100}$ New, W:Add, Z:Discontinued, F:Interchangeable by set, K:Q'ty Change
 ++ CONTINUE ++
 Copyright (C) YANMAR CO., LTD. All Rights Reserved.

Fig.11. FUEL INJECTION PUMP



(A)=4TNV88-KIRD
(B)=
(C)=

(D)=
(E)=
(F)=

No.	Lev.	Parts No.	Description	Q'ty						I	R
				(A)	(B)	(C)	(D)	(E)	(F)		
125	2	24356-190200	O-RING, 4D19020	1							
126	2	26106-060102	BOLT, M6X 10 PLATED	1							
128	2	26450-080452	BOLT, M8X 45	4							
129	2	26776-140002	NUT, LOCK M14	1							
132	2	158552-51670	JOINT, OVER FLOW	1							
134	2	129916-59020	JOINT, PIPE 12	1							
136	1	129601-51250	RETAINER, PUMP	1							
137	1	26106-080162	BOLT, M8X 16 PLATED	1							
138	1	26106-080202	BOLT, M8X 20 PLATED	1							

Remarks
(1)Governor(Fig.12)is incorporated in this Fuel Injection Pump (Ref.1).

N:Old $\frac{100}{100}$ New, Q:Old $\frac{100}{100}$ New, R:Old $\frac{100}{100}$ New, S:Old $\frac{100}{100}$ New, W:Add, Z:Discontinued, F:Interchangeable by set, K:Q'ty Change
Copyright (C) YANMAR CO., LTD. All Rights Reserved.

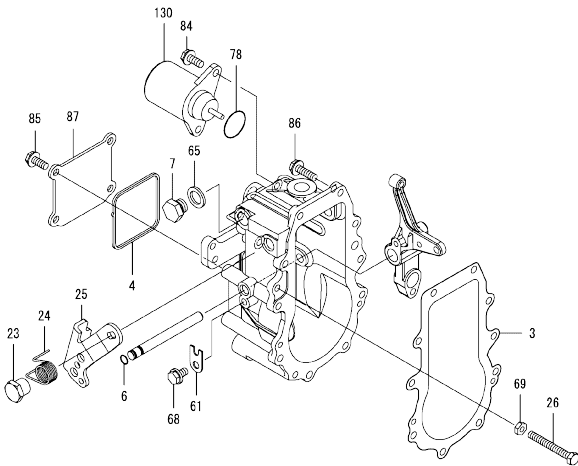
0CW10-M66900 4TNV88-KIRD
 Fig.12. GOVERNOR

0CW10-M66900 Fig.12

(A)=4TNV88-KIRD
 (B)=
 (C)=

(D)=
 (E)=
 (F)=

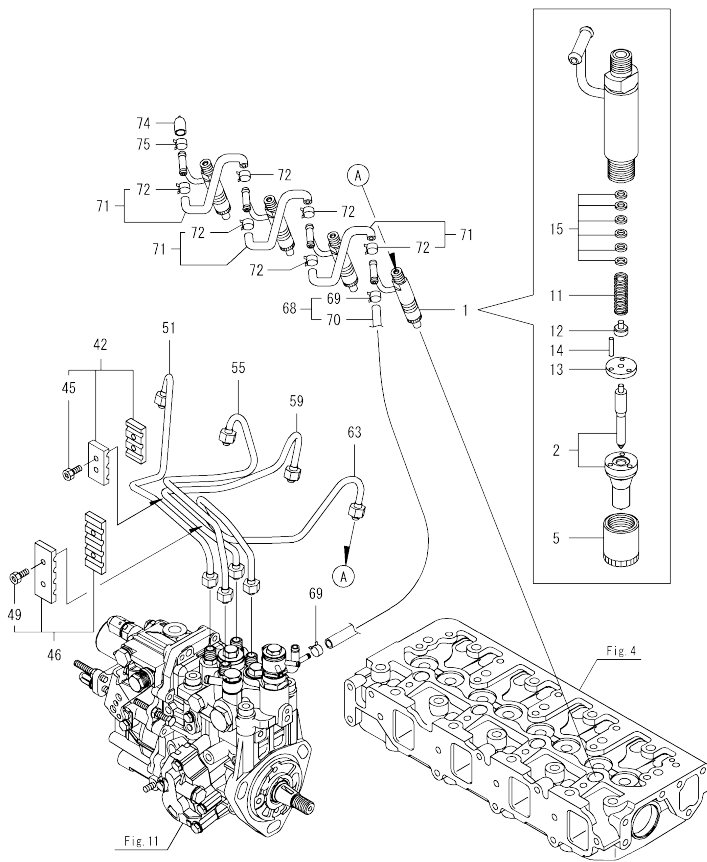
No.	Lev.	Parts No.	Description	Q'ty						I	R
				(A)	(B)	(C)	(D)	(E)	(F)		
3	2	158553-61050	GASKET	1							
4	2	158553-61070	GASKET	1							
6	2	129155-51280	O-RING, S6	1							
7	2	158553-51930	PLUG, M12	1							
23	2	129255-61410	NUT, LOCK	1							
24	2	119807-61420	SPRING, RETURN	1							
25	2	158552-61441	LEVER, REGULATOR	1							
26	2	129155-61460	BOLT, IDLE	1							
61	2	119660-61901	RETAINER, SHAFT	1							
65	2	22190-120002	WASHER, SEAL 12	1							
68	2	26106-060102	BOLT, M6X 10 PLATED	1							
69	2	26756-060002	NUT, LOCK M6	1							
78	2	158552-61900	O-RING	1							
84	2	26106-060142	BOLT, M6X 14 PLATED	2							
85	2	26106-060142	BOLT, M6X 14 PLATED	4							
86	2	26106-060202	BOLT, M6X 20 PLATED	10							
87	2	129642-61060	COVER, GOVERNOR CASE	1							
130	2	119653-77950	SOLENOID, STOP	1							



Remarks
 *This figure(Governor)is incorporated
 in the Fuel Injection Pump (Fig.11).

N:Old $\frac{100}{100}$ New, Q:Old $\frac{100}{100}$ New, R:Old $\frac{100}{100}$ New, S:Old $\frac{100}{100}$ New, W:Add, Z:Discontinued, F:Interchangeable by set, K:Q'ty Change
 Copyright (C) YANMAR CO., LTD. All Rights Reserved.

Fig.13. FUEL INJECTION VALVE

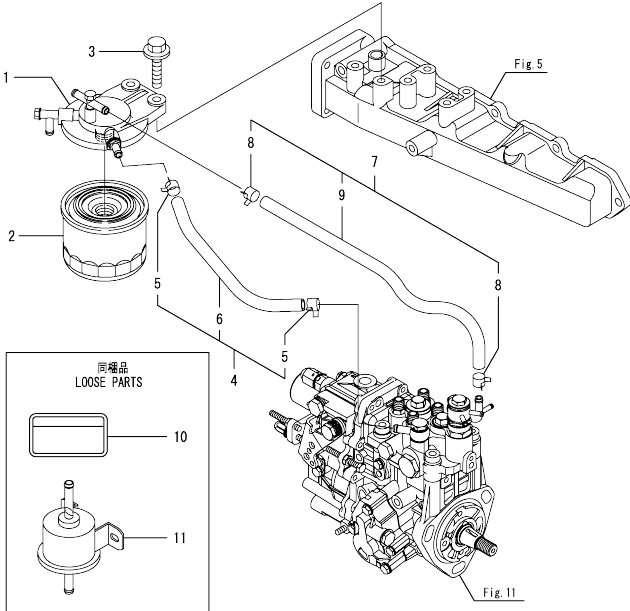


(A)=4TNV88-KIRD
(B)=
(C)=

(D)=
(E)=
(F)=

No.	Lev.	Parts No.	Description	Q'ty						I	R
				(A)	(B)	(C)	(D)	(E)	(F)		
1	1	729602-53101	VALVE ASSY,INJECTION	4							
2	2	129602-53001	VALVE ASSY,INJECTION	4							
5	2	114250-53080	NUT, NOZZLE D16.95	4							
11	2	114250-53120	SPRING, NOZZLE	4							
12	2	114250-53130	SEAT, SPRING	4							
13	2	114250-53140	PLATE	4							
14	2	114250-53210	PIN	8							
15	2	119803-53400	SHIM SET	4							
42	1	129150-59120	RETAINER, PIPE	1							
45	2	129150-59131	BOLT, M4X14	2							
46	1	129550-59120	RETAINER, PIPE	1							
49	2	129150-59131	BOLT, M4X14	2							
51	1	129601-59810	PIPE ASSY, INJECTION	1							
55	1	129601-59820	PIPE ASSY, INJECTION	1							
59	1	129601-59830	PIPE ASSY, INJECTION	1							
63	1	129601-59840	PIPE ASSY, INJECTION	1							
68	1	119802-59550	PIPE ASSY, RETURN	1							
69	2	124722-59050	CLIP, HOSE 9	2							
70	2	119802-59560	PIPE, FUEL RETURN	1							
71	1	129486-59551	PIPE ASSY, RETURN	3							
72	2	124722-59050	CLIP, HOSE 9	6							
74	1	119593-59581	CAP	1							
75	1	124060-77680	CLIP, HOSE 10	1							

Fig.14. FUEL LINE

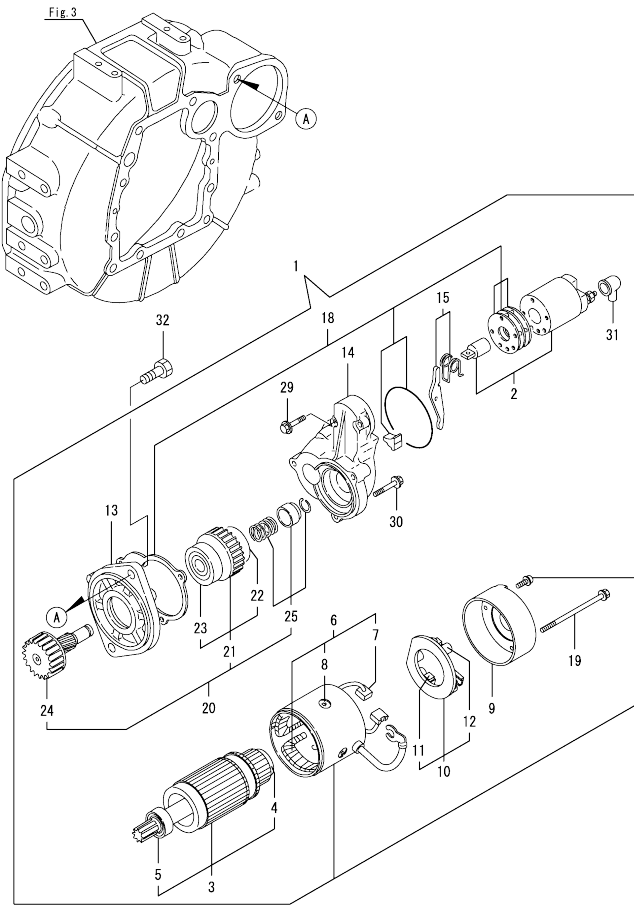


(A)=4TNV88-KIRD
(B)=
(C)=

(D)=
(E)=
(F)=

No.	Lev.	Parts No.	Description	Q'ty						I	R
				(A)	(B)	(C)	(D)	(E)	(F)		
1	1	129004-55612	BRACKET, FILTER	1							
2	1	119802-55840	FILTER, FUEL OIL	1							
3	1	26106-080302	BOLT, M8X 30 PLATED	2							
4	1	129210-59090	PIPE ASSY, FUEL	1							
5	2	124766-59050	CLIP, HOSE 12	2							
6	2	105325-59570	PIPE, FUEL	1							
7	1	129210-59150	PIPE ASSY, FUEL	1							
8	2	124766-59050	CLIP, HOSE 12	2							
9	2	105025-59530	PIPE, FUEL D13X400	1							
10	1	114110-07760	LABEL, FUEL CAUTION	1							
11	1	119225-52102	PUMP ASSY, FUEL FEED	1							

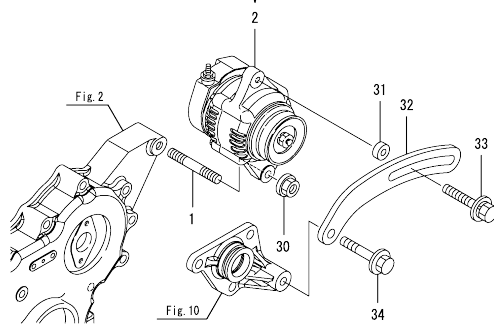
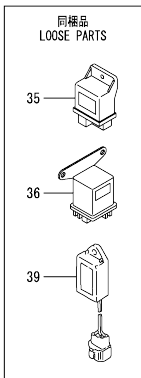
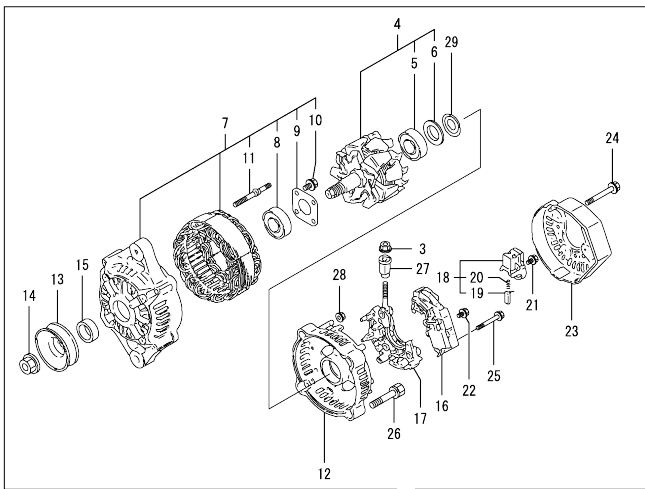
Fig.15. STARTING MOTOR



(A)=4TNV88-KIRD
(B)=
(C)=

(D)=
(E)=
(F)=

No.	Lev.	Parts No.	Description	Q'ty						I	R
				(A)	(B)	(C)	(D)	(E)	(F)		
1	1	129136-77011	STARTER	1							
2	2	129136-77310	SWITCH ASSY	1							
3	2	129900-77400	ARMATURE ASSY	1							
4	3	X2130350900	BEARING, BALL	1							
5	3	X2114255110	BEARING, BALL	1							
6	2	129900-77440	COIL ASSY, FIELD	1							
7	3	129900-77450	BRUSH	2							
8	3	171008-77450	SCREW	4							
9	2	129900-77460	COVER	1							
10	2	129900-77480	HOLDER ASSY, BRUSH	1							
11	3	129900-77450	BRUSH	2							
12	3	129400-77490	SPRING	4							
13	2	171008-77510	CASE, GEAR	1							
14	2	129136-77520	HOUSING	1							
15	2	171008-77540	LEVER SET	1							
18	2	129400-77571	COVER ASSY, DUST	1							
19	2	129900-77640	BOLT, THROUGH	2							
20	2	171008-77650	PINION ASSY	1							
21	3	X2114555500	CLUTCH ASSY	1							
22	4	X2114955020	BEARING, BALL	1							
23	4	X2240410100	BEARING, BALL	1							
24	3	171008-77660	SHAFT	1							
25	3	171008-77670	STOPPER SET	1							
29	2	26106-060322	BOLT, M6X 32 PLATED	2							
30	2	26106-060402	BOLT, M6X 40 PLATED	3							
31	2	171008-77750	COVER	1							
32	1	26116-120252	BOLT, M12X 25 PLATED	2							



(A)=4TNV88-KIRD
 (B)=
 (C)=

(D)=
 (E)=
 (F)=

No.	Lev.	Parts No.	Description	Qty						I	R
				(A)	(B)	(C)	(D)	(E)	(F)		
1	1	129795-01900	STUD	1							
2	1	129423-77200	GENERATOR, 12V-40A	1							
3	2	X9490561001	NUT	1							
4	2	119620-77380	ROTOR ASSY	1							
5	3	123501-79240	BEARING, BALL	1							
6	3	119620-79250	COVER	1							
7	2	119620-77421	FRAME ASSY, DRIVE	1							
8	3	119620-79200	BEARING, BALL	1							
9	3	119620-79210	PLATE, RETAINER	1							
10	3	119620-79220	SCREW	4							
11	3	119620-79230	STUD	2							
12	2	119620-77440	FRAME ASSY	1							
13	2	119620-77461	PULLEY	1							
14	2	119620-77471	NUT	1							
15	2	119620-77490	COLLAR	1							
16	2	129423-77710	REGULATOR ASSY	1							
17	2	119620-79260	HOLDER	1							
18	2	129052-79270	HOLDER, BRUSH	1							
19	3	119620-77480	BRUSH ASSY	2							
20	3	119620-79280	SPRING	2							
21	2	119620-79290	SCREW	6							
22	2	119620-79300	SCREW	1							
23	2	129240-79300	COVER	1							
24	2	119620-79310	BOLT	3							
25	2	119620-79320	SCREW	2							
26	2	119620-79330	BOLT	2							
27	2	119620-79340	BUSH, INSULATION	1							
28	2	119620-79350	NUT	2							
29	2	119620-79360	WASHER, THRUST	1							
30	1	26306-100002	NUT, M10	1							
31	1	119940-77270	SPACER, GENERATOR	1							
32	1	119802-77330	ADJUSTER	1							
33	1	129972-77341	BOLT, ADJUSTER L=50	1							
34	1	26106-080452	BOLT, M8X 45 PLATED	1							
35	1	119802-77200	RELAY, SAFETY	1							
36	1	119650-77910	RELAY ASSY, GLOW	1							
39	1	129211-77920	TIMER	1							

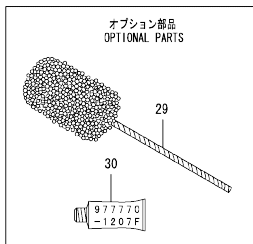
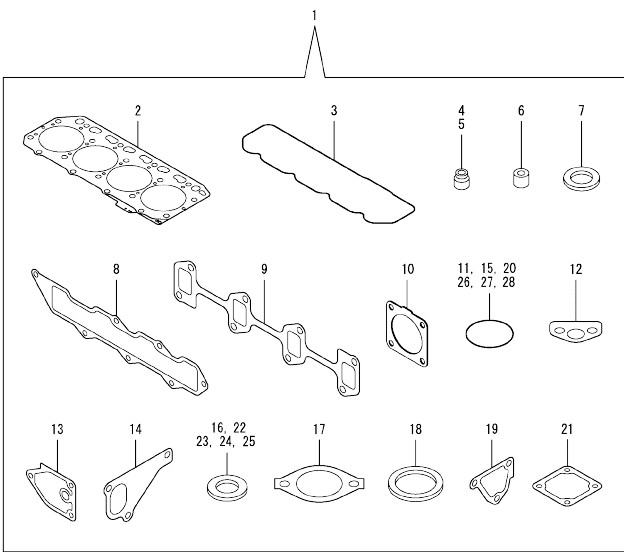
0CW10-M66900 4TNV88-KIRD
 Fig.17. GASKET SET

0CW10-M66900 Fig.17

(A)=4TNV88-KIRD
 (B)=
 (C)=

(D)=
 (E)=
 (F)=

No.	Lev.	Parts No.	Description	Qty						I	R	
				(A)	(B)	(C)	(D)	(E)	(F)			
1	1	729601-92900	GASKET SET	1							1	
2	2	129407-01340	GASKET, HEAD	1								
3	2	129601-11310	GASKET, BONNET	1								
4	2	121400-11340	SEAL, VALVE STEM	4								
5	2	124460-11340	SEAL, VALVE STEM	4								
6	2	119802-11870	PROTECTOR, NOZZLE	4								
7	2	119625-11880	SEAT, NOZZLE	4								
8	2	129407-12110	GASKET, MANIFOLD	1								
9	2	129550-13110	GASKET	1								
10	2	129930-13201	GASKET, SILENCER	1								
11	2	119609-32040	O-RING, P16	4								
12	2	129150-35042	GASKET	1								
13	2	129150-35111	GASKET	1								
14	2	129486-42021	GASKET, WATER PUMP	1								
15	2	129486-42140	O-RING, G30	1								
16	2	124465-44950	GASKET, 16	2								
17	2	129795-49551	GASKET	1								
18	2	129150-49811	GASKET, THERMOSTAT	1								
19	2	124395-49840	GASKET	1								
20	2	121850-51960	O-RING	1								
21	2	129150-77511	GASKET	1								
22	2	22190-080002	WASHER, SEAL 6	2								
23	2	22190-100002	WASHER, SEAL 10	2								
24	2	22190-220002	WASHER, SEAL 22	1								
25	2	23414-080000	GASKET, 8X1.0	1								
26	2	24311-000120	O-RING, 1AP12.0	3								
27	2	24311-000320	O-RING, 1AP32.0	2								
28	2	24341-000240	O-RING, 1AS24.0	1								
29	1	129400-92430	HONE	1								1
30	1	977770-1207F	GASKET,LIQUID	1								1



Remarks
 (1)Optional parts.

N:Old $\frac{100}{100}$ New, Q:Old $\frac{100}{100}$ New, R:Old $\frac{100}{100}$ New, S:Old $\frac{100}{100}$ New, W:Add, Z:Discontinued, F:Interchangeable by set, K:Qty Change
 Copyright (C) YANMAR CO., LTD. All Rights Reserved.

Parts No. Index

Parts No.	Fig. No.	Ref. No.
105025-59530	14	9
105325-59570	14	6
114110-07760	14	10
114250-53080	13	5
114250-53120	13	11
114250-53130	13	12
114250-53140	13	13
114250-53210	13	14
119131-18320	6	5
119225-52102	14	11
119285-39610	9	31
119593-59581	13	74
119609-32040	2	11
	17	11
119620-01750	3	3
119620-77380	16	4
119620-77421	16	7
119620-77440	16	12
119620-77461	16	13
119620-77471	16	14
119620-77480	16	19
119620-77490	16	15
119620-79200	16	8
119620-79210	16	9
119620-79220	16	10
119620-79230	16	11
119620-79250	16	6
119620-79260	16	17
119620-79280	16	20
119620-79290	16	21
119620-79300	16	22
119620-79310	16	24
119620-79320	16	25
119620-79330	16	26
119620-79340	16	27
119620-79350	16	28
119620-79360	16	29
119625-11880	4	29
	17	7
119640-01640	3	8
119650-77910	16	36
119653-77950	12	130
119660-61901	12	61
119802-01520	2	6
119802-01561	2	7
119802-03110	4	40
119802-03121	4	41
119802-03130	4	42
119802-03141	4	43
119802-07080	9	15

Parts No.	Fig. No.	Ref. No.
119802-11260	4	4
119802-11270	4	5
119802-11870	4	28
	17	6
119802-21202	8	4
119802-21650	8	8
119802-25051	7	9
119802-25071	7	16
119802-25101	7	10
119802-25901	7	15
119802-32070	2	13
119802-32100	2	12
119802-32111	2	17
119802-32120	2	18
119802-32130	2	19
119802-35110	9	11
119802-35170	9	14
119802-39450	9	33
119802-39460	9	30
119802-49113	10	9
119802-49730	10	37
119802-51090	11	11
119802-51560	11	60
119802-51590	11	66
119802-51600	11	67
119802-51680	11	71
119802-51690	11	72
119802-55840	14	2
119802-59550	13	68
119802-59560	13	70
119802-77200	16	35
119802-77330	16	32
119803-53400	13	15
119807-61420	12	24
119843-44900	10	32
119934-01800	2	5
119940-39470	9	29
119940-59130	9	25
119940-77270	16	31
120130-11860	4	54
120270-54410	4	31
121023-01551	2	27
121111-21501	8	11
121400-11340	4	24
	17	4
121450-42450	10	31
121520-34810	9	3
121550-23200	8	26
121850-21680	8	10
121850-51960	2	20

Parts No.	Fig. No.	Ref. No.
121850-51960	17	20
123501-79240	16	5
123900-13610	6	3
123900-13630	6	4
124060-01050	1	11
124060-77680	13	75
124101-49560	10	27
124160-01751	2	8
	4	36
124160-01910	1	12
	13	13
124160-11360	4	49
124160-39140	9	32
124240-01871	2	9
124395-49840	10	17
	17	19
124460-11340	4	25
	17	5
124465-44950	10	33
	34	34
	17	16
124550-21600	8	14
124722-59050	10	38
	41	41
	13	69
	72	72
124766-59050	14	5
	8	8
129001-01250	1	4
129001-02931	1	30
129001-32330	2	16
129004-01190	1	27
129004-03010	4	38
129004-11130	4	22
129004-11650	4	7
129004-11900	4	30
129004-34802	9	2
129004-42001	10	1
129004-42040	10	15
129004-49610	10	35
129004-49620	10	39
129004-49711	10	36
129004-49721	10	40
129004-55612	14	1
129005-22080	8	15
129005-22500	8	17
129005-22900	8	30
129005-22950	8	32
129005-59830	9	34
129006-35100	9	10

Parts No.	Fig. No.	Ref. No.
129006-44480	9	17
129008-51900	11	9
129008-51920	11	10
129052-79270	16	18
129100-01580	3	1
	8	2
129100-01640	3	16
129100-11112	4	20
129100-23910	8	29
129100-42051	10	3
129100-42121	10	4
129103-49301	9	27
129120-77502	5	7
129136-77011	15	1
129136-77310	15	2
129136-77520	15	14
129150-01200	1	28
129150-02020	1	6
129150-02450	7	4
129150-02871	1	33
129150-02931	1	24
129150-02941	1	36
129150-03070	4	39
129150-11230	4	8
129150-11280	4	6
129150-11370	4	12
129150-11750	4	10
129150-11810	4	55
129150-14101	7	6
129150-14200	7	1
129150-14400	7	2
129150-23601	8	27
129150-23611	8	36
129150-25301	7	14
129150-35042	9	4
	17	12
129150-35111	9	13
	17	13
129150-49811	10	29
	17	18
129150-59120	13	42
129150-59131	13	45
	49	49
129150-77511	5	8
	17	21
129155-49801	10	28
129155-51280	12	6
129155-61460	12	26
129202-22300	8	21

Parts No. Index

Parts No.	Fig. No.	Ref. No.
129210-59090	14	4
129210-59150	14	7
129211-77920	16	39
129240-79300	16	23
129255-61410	12	23
129400-01730	3	6
129400-77490	15	12
129400-77571	15	18
129400-92430	17	29
129407-01340	1	29
	17	2
129407-12110	5	4
	17	8
129410-03990	5	2
129411-13100	6	1
129417-33110	9	9
129417-35150	9	12
129418-32320	2	15
129423-77200	16	2
129423-77710	16	16
129436-01780	3	7
129436-35091	9	5
129486-01670	3	19
129486-42021	10	14
	17	14
129486-42140	10	16
	17	15
129486-59551	13	71
129508-33010	9	7
129508-33050	9	8
129508-49030	9	18
129508-49040	9	22
129509-51390	11	41
129550-13110	6	2
	17	9
129550-59120	13	46
129556-42350	10	24
129601-03080	5	1
129601-11241	4	1
129601-11251	4	2
129601-11310	4	46
	17	3
129601-11350	4	37
129601-11700	4	13
129601-12100	5	3
129601-21002	8	1
129601-21570	8	12
129601-51250	11	136
129601-59810	13	51
129601-59820	13	55

Parts No.	Fig. No.	Ref. No.
129601-59830	13	59
129601-59840	13	63
129602-53001	13	2
129612-44700	10	42
129642-61060	12	87
129795-01780	3	18
129795-01900	16	1
129795-01950	2	10
129795-02412	1	9
129795-11120	4	21
129795-11180	4	23
129795-21661	8	9
129795-49551	10	26
	17	17
129900-07900	4	52
129900-32130	2	14
129900-77400	15	3
129900-77440	15	6
129900-77450	15	7
		11
129900-77460	15	9
129900-77480	15	10
129900-77640	15	19
129916-49740	10	10
129916-59020	11	134
129930-13201	6	7
	17	10
129972-77341	16	33
158552-51151	11	14
158552-51571	11	61
		62
158552-51580	11	65
158552-51600	11	75
158552-51670	11	132
158552-51781	11	102
158552-52100	11	111
158552-52311	11	113
158552-52400	11	114
158552-52500	11	112
158552-61441	12	25
158552-61900	12	78
158553-51551	11	58
158553-51630	11	76
158553-51640	11	78
158553-51660	11	80
158553-51670	11	70
158553-51680	11	81
158553-51770	11	108
158553-51930	11	105
	12	7

Parts No.	Fig. No.	Ref. No.
158553-61050	12	3
158553-61070	12	4
158557-51570	11	63
158563-51281	11	39
		40
158563-51330	11	50
158600-51270	11	38
158601-51550	11	59
158601-51570	11	64
158601-51650	11	79
158601-51770	11	101
158601-51790	11	103
171008-03990	9	19
		23
171008-77450	15	8
171008-77510	15	13
171008-77540	15	15
171008-77650	15	20
171008-77660	15	24
171008-77670	15	25
171008-77750	15	31
171051-01921	1	5
171056-49120	9	1
171420-01600	3	2
22190-080002	9	35
		37
	17	22
22190-100002	9	38
	17	23
22190-120002	11	106
		115
		116
	12	65
22190-180002	11	107
		117
22190-220002	3	10
	17	24
22217-140000	11	118
22252-000260	8	22
22312-050140	11	119
22351-030010	8	7
22351-050010	11	120
22351-060012	4	32
22512-070140	7	7
	8	5
22857-500100	4	47
		48
23080-015000	9	21
		26
23414-080000	10	18

Parts No.	Fig. No.	Ref. No.
23414-080000	17	25
23857-030000	9	36
23857-060000	11	121
23875-020000	10	11
23876-010000	10	12
23876-030000	2	3
23876-040000	2	4
24311-000070	11	123
24311-000120	4	50
	17	26
24311-000320	2	21
	4	51
	17	27
24341-000240	2	28
	17	28
24356-190180	11	124
24356-190200	11	73
		125
24372-000150	11	74
25132-003800	10	23
26106-060102	11	126
	12	68
26106-060142	12	84
		85
26106-060162	2	29
	10	25
26106-060202	12	86
26106-060322	15	29
26106-060402	15	30
26106-080122	10	19
26106-080142	7	8
26106-080162	2	22
		23
	3	11
	4	53
	10	20
	11	137
26106-080202	5	5
	9	28
	10	30
	11	138
26106-080252	3	12
	4	33
26106-080302	14	3
26106-080352	3	20
	4	34
	5	9
	9	6
26106-080402	7	13
26106-080452	3	13

Parts No. Index

Parts No.	Fig. No.	Ref. No.
26106-080452	10	21
	16	34
26106-080502	3	14
	4	35
26106-080552	2	24
26106-080602	10	22
26106-080802	5	6
26106-080852	2	25
26116-120252	15	32
26206-100252	3	4
26206-100302	3	5
26226-080182	4	11
26306-080002	2	26
	6	6
26306-100002	16	30
26366-060002	9	39
26450-080452	11	128
26577-060142	10	13
26756-060002	12	69
26776-140002	11	129
27241-120000	1	14
27241-300000	1	10
27241-400000	4	19
27310-080001	4	26
729233-01500	2	1
729402-14580	7	3
729402-23100	8	23
729601-92900	17	1
729602-01560	1	1
729602-53101	13	1
729642-51510	11	1
977770-1207F	17	30
X2114255110	15	5
X2114555500	15	21
X2114955020	15	22
X2130350900	15	4
X2240410100	15	23
X9490561001	16	3

Parts No.	Fig. No.	Ref. No.
-----------	----------	----------

Parts No.	Fig. No.	Ref. No.
-----------	----------	----------

Parts No.	Fig. No.	Ref. No.
-----------	----------	----------