

0CV10-M92300EN

PREFACE

- 1.This Parts Catalog carries all parts incorporated in YANMAR Model 4TNV88-KWA, 4TNV88-KWA2 engine manufactured since January, 2004.
- 2.Each illustration corresponds to the parts list on the following page.
- 3.When ordering parts,clearly write down the engine model and serial number,as well as the name and number of each part in your order sheet. This will help insure reliable delivery of the parts you have ordered.

Directions for the Parts Catalog.

1. This Parts Catalog shows both standard and optional parts.
2. Parts may change without prior notice.
3. The following is an example of the Parts Catalog format.

REF.	LEV.	PARTS NO.	DESCRIPTION	Q'TY						I	R
				(A)	(B)	(C)	(D)	(E)	(F)		
1	1	729595-51390	FUEL INJECTION PUMP	1	1	1	1	1			1
1-1	1	729595-51391	FUEL INJECTION PUMP	1	1	1	1	1		N	1
		(A=E00185) (B=E00200)									
3	2	26022-060162	SCREW M 6X 16	9	9	9	9	9			
3-1	2	26022-060162	SCREW M 6X 16	4	4	4	4	4		K	
		(A=E00156) (B=E00156) (C=E00156) (D=E00156) (E=E00156)									
4	2	129470-51040	CAMSHAFT	1	1	1	1	1			
5	2	122710-51050	BEARING, ROLLER	2	2	2	2	2			
6	2	129470-51060	RETAINER	1	1	1	1	1			

Remarks
(1) BOOST COMPEMSATOR TYPE. OPTIONAL PART, TO E00155,(4JH-DT, 4JH-DTZ

① Ref. No.

The Ref. No. listed may not be in accordance with the illustration Ref. No.

(Ex.) Illustration No. List Ref No.

1 1 (Before change) → 1-1 (After change)

For interchangeable symbols N, R and K, illustrations for new parts may be abbreviated.

② Lev. (Level)

Level indication

The numbers below indicate the level of relativity towards the main part.

1 ---- Main parts (Assembly parts)

2 ---- Sub component included in " 1 ".

3 ---- Sub component included in " 2 ".

Note) Parts that are not for sale are partially illustrated but not listed.

③ Interchangeability Symbol

When a part change takes place, one of the following interchangeability symbols is indicated beside the part.

Symbol	Interchangeability	Contents note
N	Old $\begin{matrix} \leftarrow \text{Yes} \\ \text{No} \rightarrow \end{matrix}$ New	New Part is interchangeable for Old Part but Old Part is not interchangeable for New Part.
Q	Old $\begin{matrix} \leftarrow \text{No} \\ \text{Yes} \rightarrow \end{matrix}$ New	New Part is not interchangeable for Old Part but Old Part is interchangeable for New Part.
R	Old $\begin{matrix} \leftarrow \text{Yes} \\ \text{Yes} \rightarrow \end{matrix}$ New	New/ Old Parts are both interchangeable.
S	Old $\begin{matrix} \leftarrow \text{No} \\ \text{No} \rightarrow \end{matrix}$ New	New/ Old Parts are both not interchangeable.
W		Part newly added.
Z		Part discontinued.
F		Not interchangeable by a single part but interchangeable together with related parts.
K		Changes only for used parts quantities.

④ Effective Machine No.

When a part changes, the effective Machine No. will be indicated in the (A)-(F) column.

Product Symbol	Product No.	Product Symbol	Product No.
C	Clutch No. Compressor No.	F	Machine No. (Agricultural Equip.)
D	Drive No.	M	Machine No.
E	Engine No.		

Note 1) A date may follow the symbol. (Ex.) 1996.01

Note 2) "XXXXX" and "ZZZZZ" are for parts that could not be predicted or for engine models that could not be identified.

Note 3) (A=E00185) is the E (Engine Serial Number) for the column (A) model (in this case 4JH-DT) after the parts design change.

⑤ Remarks

Figures or alphabets (symbols) are entered in the remarks column.

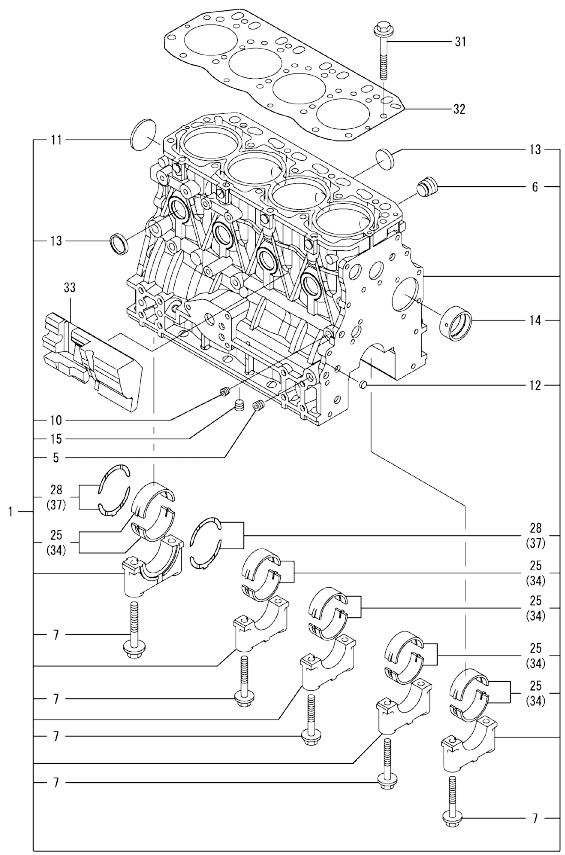
The comments (remarks) on parts that are indicated at the bottom of the illustration are the same symbols as those stated above.

Contents

Fig. No.	Fig. Name	Fig. No.	Fig. Name
ENGINE SECTION 4TNV88-KWA(2)			
1.	CYLINDER BLOCK		
2.	GEAR HOUSING		
3.	FLYWHEEL HOUSING & OIL SUMP		
4.	CYLINDER HEAD & BONNET		
5.	SUCTION MANIFOLD		
6.	EXHAUST MANIFOLD		
7.	CAMSHAFT & DRIVING GEAR		
8.	CRANKSHAFT & PISTON		
9.	LUB.OIL SYSTEM		
10.	COOLING WATER SYSTEM		
11.	FUEL INJECTION PUMP		
12.	FUEL INJECTION VALVE		
13.	FUEL LINE		
14.	STARTING MOTOR		
15.	GENERATOR		
16.	GASKET SET		

OCV10-M92300

Fig.1. CYLINDER BLOCK



(A)=4TNV88-KWA
 (B)=4TNV88-KWA2
 (C)=
 (D)=
 (E)=
 (F)=

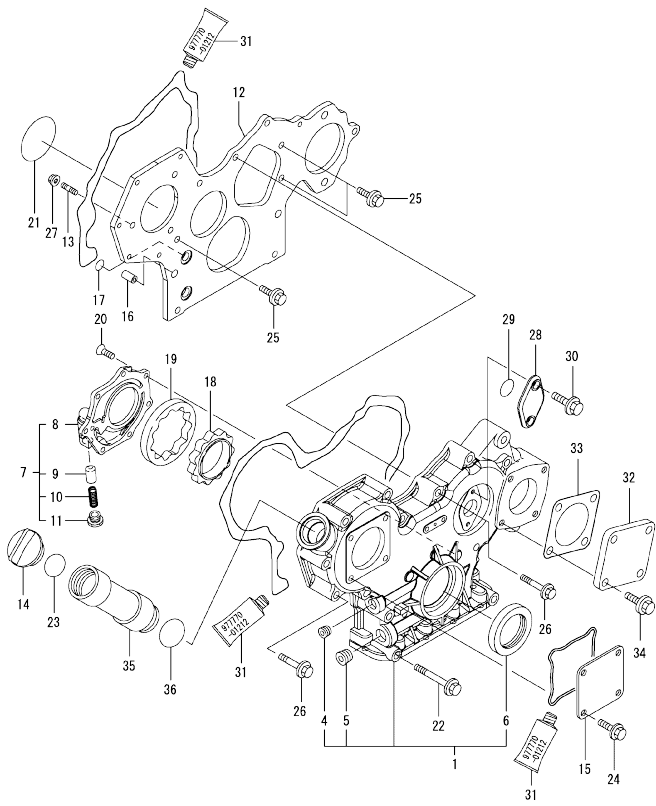
No.	Lev.	Parts No.	Description	Q'ty						I	R
				(A)	(B)	(C)	(D)	(E)	(F)		
1	1	729602-01560	BLOCK ASSY, CYLINDER	1	1						
5	2	124160-01910	PLUG, PT1/4	2	2						
6	2	171051-01921	PLUG, NPTF1	1	1						
7	2	129150-02020	BOLT, METAL CAP	10	10						
10	2	124060-01050	PLUG, PT1/8	1	1						
11	2	129001-01250	PLUG, 50	1	1						
12	2	27241-120000	PLUG, 12	2	2						
13	2	27241-300000	PLUG 30	8	8						
14	2	129795-02411	BUSH, CAMSHAFT	1	1						
15	2	124160-01910	PLUG, PT1/4	1	1						
25	2	129001-02930	BEARING, MAIN	5	5						3
28	2	129150-02930	BEARING, THRUST	2	2						
31	1	129150-01200	BOLT, HEAD	18	18						
32	1	129407-01340	GASKET, HEAD	1	1						
33	1	129004-01190	SPACER	1	1						
34	1	129150-02870	BEARING, 0.25 US	5	5						1
37	1	129150-02940	BEARING, THRUST 0.25	1	1						2

Remarks
 (1) UNDER-SIZE(U.S=0.25)PART.
 (2) OVER-SIZE(O.S=0.25)PART.
 (3) REPAIR PART.

N:Old $\frac{100}{100}$ New, Q:Old $\frac{100}{100}$ New, R:Old $\frac{100}{100}$ New, S:Old $\frac{100}{100}$ New, W:Add, Z:Discontinued, F:Interchangeable by set, K:Q'ty Change
 Copyright (C) YANMAR CO., LTD. All Rights Reserved.

OCV10-M92300

Fig.2. GEAR HOUSING

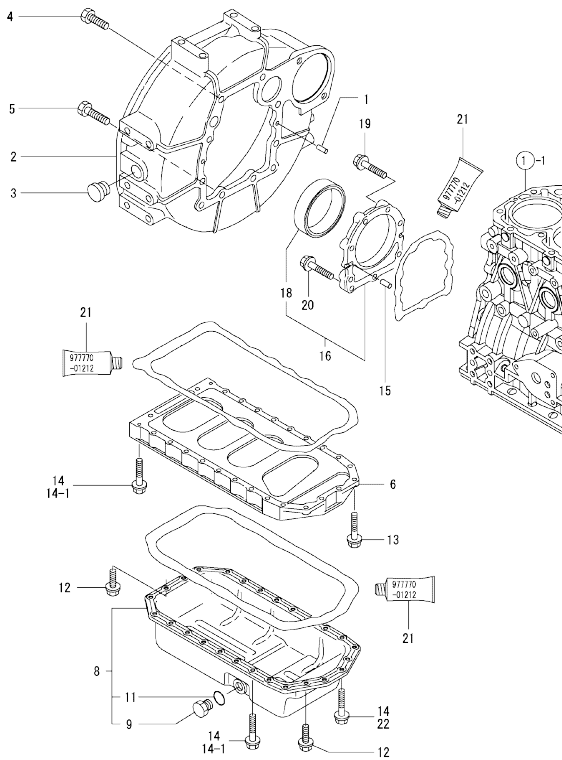


No.	Lev.	Parts No.	Description	Q'ty						
				(A)	(B)	(C)	(D)	(E)	(F)	
1	1	729005-01500	CASE ASSY, GEAR	1	1					
4	2	23876-030000	PLUG, R03	1	1					
5	2	23876-040000	PLUG, R04	1	1					
6	2	129795-01800	SEAL, OIL	1	1					
7	1	119802-32100	COVER ASSY	1	1					
8	2	119802-32070	COVER	1	1					
9	2	129900-32130	VALVE, RELIEF	1	1					
10	2	129418-32320	SPRING	1	1					
11	2	129001-32330	PLUG	1	1					
12	1	129005-01520	FLANGE, GEAR CASE	1	1					
13	1	119802-01560	STUD, M8X25	3	3					
14	1	124160-01751	COVER, FILLER	1	1					
15	1	124240-01871	COVER	1	1					
16	1	129795-01950	PIPE, KNOCK L=18	2	2					
17	1	119609-32040	O-RING, P16	4	4					
18	1	119802-32111	ROTOR, INNER	1	1					
19	1	119802-32120	ROTOR, OUTER	1	1					
20	1	119802-32130	SCREW, M6X16	7	7					
21	1	121850-51960	O-RING	1	1					
22	1	129001-91841	BOLT, M8X85	3	3					
23	1	24311-000320	O-RING, 1AP32.0	1	1					
24	1	26106-080162	BOLT, M8X 16 PLATED	4	4					
25	1	26106-080162	BOLT, M8X 16 PLATED	3	3					
26	1	26106-080552	BOLT, M8X 55 PLATED	11	11					
27	1	26306-080002	NUT, M8	3	3					
28	1	121023-01550	COVER	1	1					
29	1	24341-000240	O-RING, 1AS24.0	1	1					
30	1	26106-060162	BOLT, M6X 16 PLATED	2	2					
31	1	977770-01212	GASKET, LIQUID	1	1					1
32	1	124240-01871	COVER	1	1					
33	1	124240-01883	GASKET	1	1					
34	1	26106-080122	BOLT, M8X 12 PLATED	4	4					
35	1	171031-11741	PIPE	1	1					
36	1	24311-000320	O-RING, 1AP32.0	1	1					

Remarks
(1) OPTIONAL PART.

N:Old $\frac{100}{100}$ New, Q:Old $\frac{100}{100}$ New, R:Old $\frac{100}{100}$ New, S:Old $\frac{100}{100}$ New, W:Add, Z:Discontinued, F:Interchangeable by set, K:Qty Change
Copyright (C) YANMAR CO., LTD. All Rights Reserved.

Fig.3. FLYWHEEL HOUSING & OIL SUMP



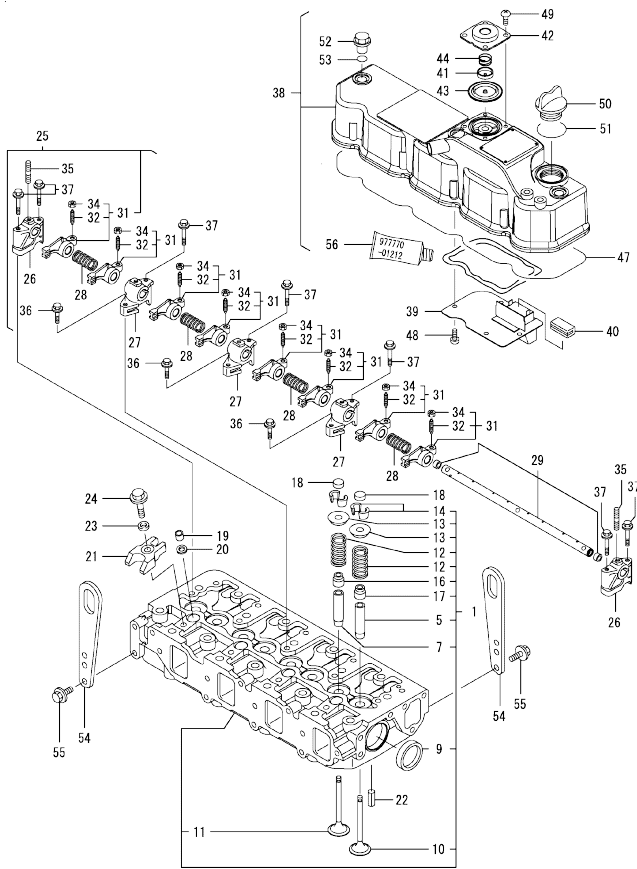
No.	Lev.	Parts No.	Description	Q'ty						I	R
				(A)	(B)	(C)	(D)	(E)	(F)		
1	1	129100-01580	PIN, M8X16	2	2						
2	1	129612-01600	HOUSING, FLYWHEEL	1	1						
3	1	119620-01750	CAP	1	1						
4	1	26206-100252	BOLT, M10X 25 PLATED	6	6						
5	1	26206-100302	BOLT, M10X 30 PLATED	4	4						
6	1	129400-01730	SPACER, OIL SUMP	1	1						
8	1	129400-01770	SUMP ASSY, OIL	1	1						
8-1	1	129688-01780		1	1						N 2
		(A=REF. TO R) (B=REF. TO R)									
9	2	171301-01640	PLUG, 22	1	1						
11	2	24341-000250	O-RING, 1AS25.0	1	1						
12	1	26106-080162	BOLT, M8X 16 PLATED	4	4						
13	1	26106-080252	BOLT, M8X 25 PLATED	2	2						
14	1	26106-080452	BOLT, M8X 45 PLATED	24	24						
14-1	1	26106-080452	BOLT, M8X 45 PLATED	20	20						K
		(A=FROM 1ST) (B=FROM 1ST)									
15	1	129100-01580	PIN, M8X16	2	2						
16	1	129190-01640	CASE ASSY, OIL SEAL	1	1						
18	2	129795-01780	SEAL, OIL	1	1						
19	1	129486-01670	BOLT, M8X30	6	6						
20	1	26106-080352	BOLT, M8X 35 PLATED	3	3						
21	1	977770-01212	GASKET, LIQUID	1	1						1
22	1	26106-080502	BOLT, M8X 50 PLATED	4	4						W
		(A=FROM 1ST) (B=FROM 1ST)									

Remarks

- (1)Optional parts.
- (2)For repair.

OCV10-M92300

Fig.4. CYLINDER HEAD & BONNET



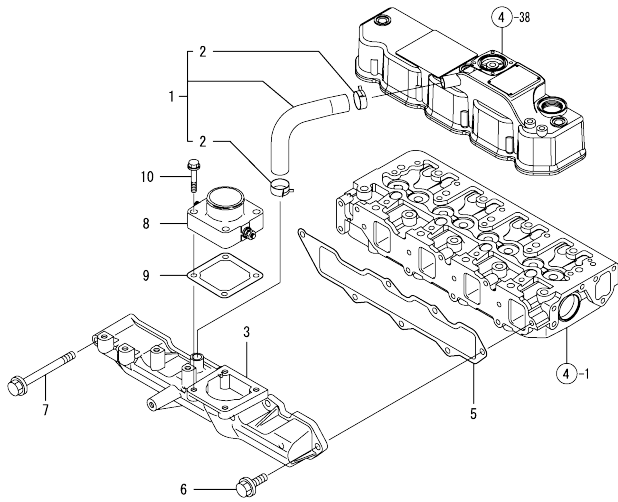
Remarks
 (1) REPAIR PART.
 (2) OPTIONAL PART.

No.	Lev.	Parts No.	Description	Q'ty						I	R
				(A)	(B)	(C)	(D)	(E)	(F)		
1	1	129602-11700	HEAD ASSY, CYLINDER	1	1						
5	2	120130-11860	GUIDE, VALVE	4	4						1
7	2	129150-11810	GUIDE, VALVE	4	4						1
9	2	27241-400000	PLUG, 40	2	2						
10	2	129005-11100	VALVE, INTAKE	4	4						
11	2	129100-11110	VALVE, EXHAUST	4	4						
12	2	129795-11120	SPRING, VALVE	8	8						
13	2	129795-11180	RETAINER, SPRING	8	8						
14	2	27310-080001	COTTER, 8	8	8						
16	2	121400-11340	SEAL, VALVE STEM	4	4						
17	2	124460-11340	SEAL, VALVE STEM	4	4						
18	1	129150-11370	CAP, VALVE	8	8						
19	1	119802-11870	PROTECTOR, NOZZLE	4	4						
20	1	119625-11880	SEAT, NOZZLE	4	4						
21	1	129004-11900	RETAINER, NOZZLE	4	4						
22	1	22351-060012	PIN, SPRING 6.0X12	2	2						
23	1	120270-54410	WASHER, INJECTOR	4	4						
24	1	26106-080352	BOLT, M8X 35 PLATED	4	4						
25	1	129601-11241	SHAFT ASSY, ROCKER	1	1						
26	2	119802-11260	SUPPORT, ROCKER ARM	2	2						
27	2	119802-11270	SUPPORT, ROCKER ARM	3	3						
28	2	129150-11280	SPRING	4	4						
29	2	129601-11251	SHAFT, ROCKER ARM	1	1						
31	2	129004-11650	ARM, ROCKER	8	8						
32	3	129150-11230	SCREW, VALVE ADJUST	8	8						
34	3	129150-11750	NUT, M8	8	8						
35	2	26226-080182	STUD, M8X 18	3	3						
36	1	26106-080252	BOLT, M8X 25 PLATED	3	3						
37	1	26106-080502	BOLT, M8X 50 PLATED	7	7						
38	1	129601-11350	BONNET ASSY, HEAD	1	1						
39	2	129004-03010	PLATE	1	1						
40	2	129150-03070	BAFFLE, BREATHER	1	1						
41	2	119802-03110	PLATE	1	1						
42	2	119802-03120	COVER, DIAPHRAGM	1	1						
43	2	119802-03130	DIAPHRAGM	1	1						
44	2	119802-03140	SPRING, DIAPHRAGM	1	1						
47	2	129601-11310	GASKET, BONNET	1	1						
48	2	22857-500100	SCREW, 5X10	4	4						
49	2	22857-500100	SCREW, 5X10	4	4						
50	1	124160-01751	COVER, FILLER	1	1						
51	1	24311-000320	O-RING, 1AP32.0	1	1						
52	1	124160-11360	KNOB	3	3						
53	1	24311-000120	O-RING, 1AP12.0	3	3						
54	1	129900-07900	LIFTER	2	2						
55	1	26106-080142	BOLT, M8X 14 PLATED	4	4						
56	1	977770-01212	GASKET, LIQUID	1	1						2

N:Old $\frac{100}{100}$ New, Q:Old $\frac{100}{100}$ New, R:Old $\frac{100}{100}$ New, S:Old $\frac{100}{100}$ New, W:Add, Z:Discontinued, F:Interchangeable by set, K:Q'ty Change
 Copyright (C) YANMAR CO., LTD. All Rights Reserved.

OCV10-M92300

Fig.5. SUCTION MANIFOLD

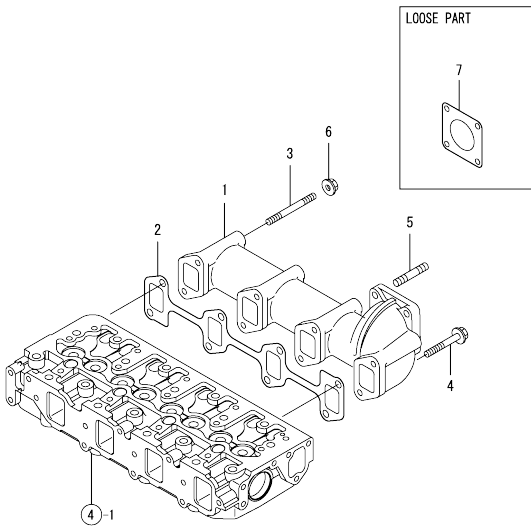


No.	Lev.	Parts No.	Description	Q'ty					
				(A)	(B)	(C)	(D)	(E)	(F)
1	1	129005-03080	PIPE , BREATHER	1	1				
2	2	129410-03990	CLIP	2	2				
3	1	129602-12100	MANIFOLD, AIR INTAKE	1	1				
5	1	129407-12110	GASKET, MANIFOLD	1	1				
6	1	26106-080202	BOLT, M8X 20 PLATED	6	6				
7	1	26106-080802	BOLT, M8X 80 PLATED	1	1				
8	1	129120-77501	HEATER	1	1				
9	1	129150-77511	GASKET	1	1				
10	1	26106-080352	BOLT, M8X 35 PLATED	4	4				

N:Old $\frac{100}{100}$ New, Q:Old $\frac{100}{100}$ New, R:Old $\frac{100}{100}$ New, S:Old $\frac{100}{100}$ New, W:Add, Z:Discontinued, F:Interchangeable by set, K:Q'ty Change
 Copyright (C) YANMAR CO., LTD. All Rights Reserved.

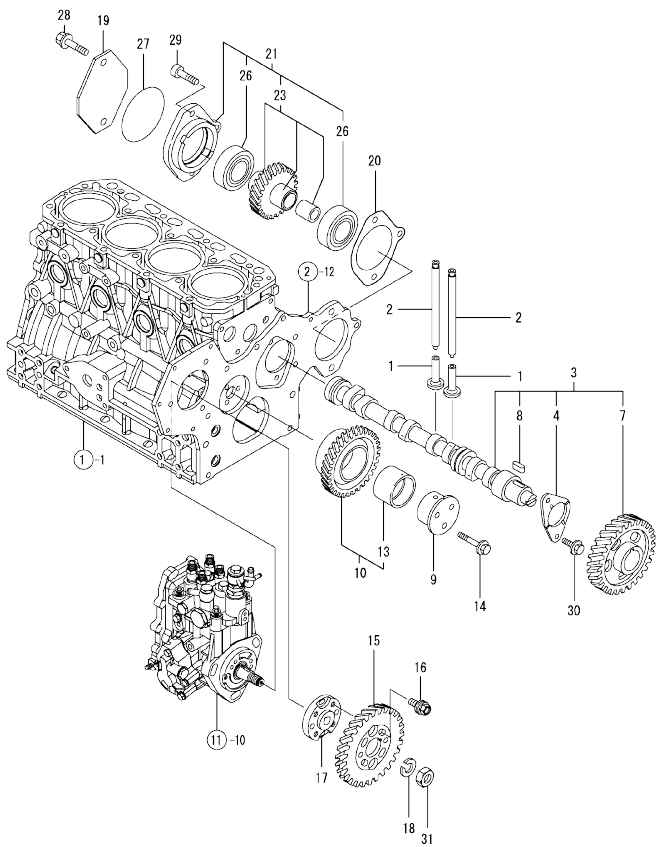
OCV10-M92300

Fig.6. EXHAUST MANIFOLD



No.	Lev.	Parts No.	Description	Q'ty					
				(A)	(B)	(C)	(D)	(E)	(F)
1	1	129400-13101	MANIFOLD, EXHAUST	1	1				
2	1	129550-13110	GASKET	1	1				
3	1	123900-13610	STUD, M8X80	2	2				
4	1	123900-13630	BOLT, M8X80	6	6				
5	1	119131-18320	STUD, M8X22	4	4				
6	1	26306-080002	NUT, M8	2	2				
7	1	129400-13201	GASKET, SILENCER	1	1				

Fig.7. CAMSHAFT & DRIVING GEAR

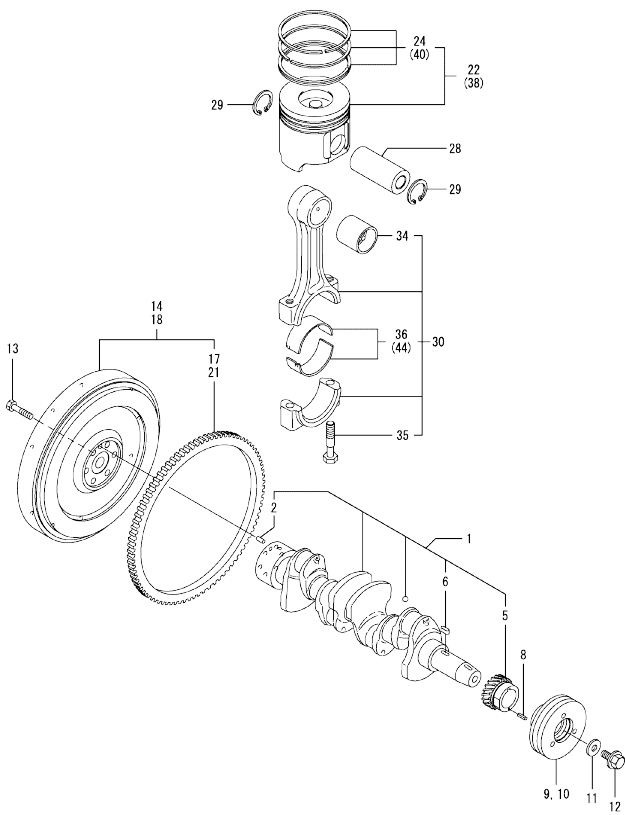


No.	Lev.	Parts No.	Description	Q'ty						I	R	
				(A)	(B)	(C)	(D)	(E)	(F)			
1	1	129150-14200	TAPPET		8	8						
2	1	129150-14400	ROD, PUSH L=178		8	8						
3	1	729402-14580	CAMSHAFT ASSY		1	1						
4	2	129150-02450	BEARING, THRUST		1	1						
7	2	129150-14101	GEAR, CAMSHAFT		1	1						
8	2	22512-070140	KEY, 7X 14		1	1						
9	1	119802-25051	SHAFT, IDLE		1	1						
10	1	119802-25100	GEAR ASSY, IDLE		1	1						
13	2	119802-25070	BUSH, IDLE GEAR		1	1						1
14	1	26106-080402	BOLT, M8X 40 PLATED		3	3						
15	1	119802-25901	GEAR, PUMP		1	1						
16	1	129150-25301	BOLT		4	4						
17	1	158552-51151	FLANGE		1	1						
18	1	22217-140000	WASHER, SPRING 14		1	1						
19	1	121023-26070	COVER		1	1						
20	1	171353-26081	GASKET		1	1						
21	1	129484-26200	DRIVE ASSY, PUMP		1	1						
23	2	129484-26210	GEAR ASSY		1	1						
26	2	24105-060064	BEARING, BALL 6006Z		2	2						
27	1	24321-000850	O-RING, 1AG85.0		1	1						
28	1	26106-100452	BOLT, M10X 45 PLATED		2	2						
29	1	26450-080282	BOLT, M8X 28		1	1						
30	1	26106-080142	BOLT, M8X 14 PLATED		2	2						
31	1	26776-140002	NUT, LOCK M14		1	1						

Remarks
(1) REPAIR PART.

OCV10-M92300

Fig.8. CRANKSHAFT & PISTON



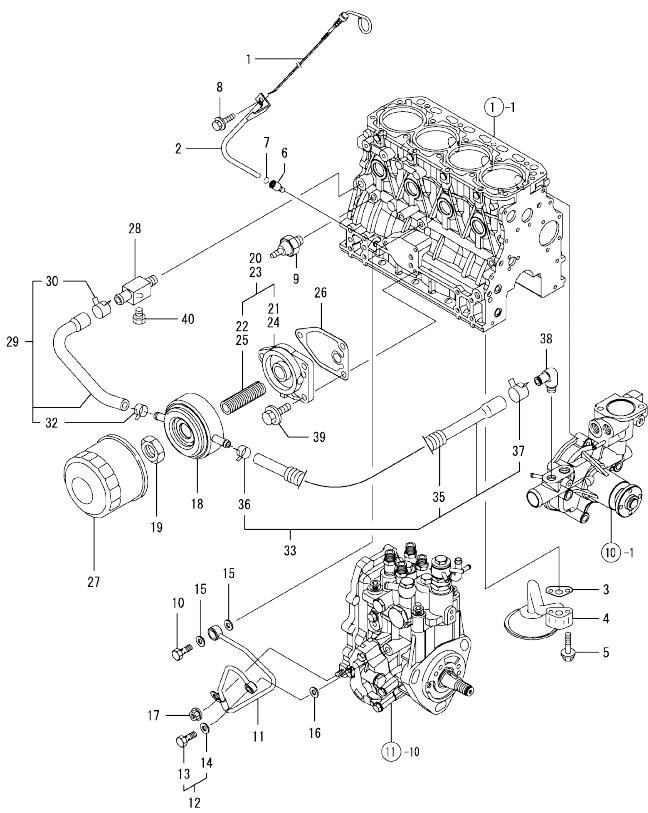
Remarks
 (1) REPAIR PART.
 (2) OVER-SIZE(O.S=0.25)PART.
 (3) UNDER-SIZE(U.S=0.25)PART.

No.	Lev.	Parts No.	Description	Q'ty						I	R
				(A)	(B)	(C)	(D)	(E)	(F)		
1	1	129601-21001	CRANKSHAFT ASSY	1	1						
2	2	129100-01580	PIN, M8X16	1	1						
5	2	119802-21201	GEAR, CRANKSHAFT	1	1						
6	2	22512-070140	KEY, 7X 14	1	1						
8	1	22351-030010	PIN, SPRING 3.0X10	1	1						
9	1	119802-21650	V-PULLEY, 110		1						
10	1	119802-21660	V-PULLEY, 120		1						
11	1	129795-21661	WASHER		1	1					
12	1	121850-21680	BOLT		1	1					
13	1	121111-21501	BOLT, FLYWHEEL	6	6						
14	1	129645-21500	FLYWHEEL ASSY		1						
17	2	119865-21600	GEAR, RING		1						
18	1	171420-21580	FLYWHEEL ASSY		1						
21	2	119865-21600	GEAR, RING		1						
22	1	129005-22080	PISTON ASSY	4	4						
24	2	129005-22500	RING SET, PISTON	4	4						
28	1	129202-22300	PIN, PISTON D26 L70	4	4						
29	1	22252-000260	RING, 26	8	8						
30	1	729402-23100	ROD ASSY, CONNECTING	4	4						
34	2	129100-23910	BEARING, PISTON PIN	4	4						1
35	2	121550-23200	BOLT, CONNECTING ROD	8	8						
36	2	129150-23600	BEARING, CRANK PIN	4	4						
38	1	129005-22900	PISTON ASSY, 0.25 OS	4	4						2
40	2	129005-22950	RING SET, 0.25 OS	4	4						2
44	1	129150-23610	BEARING, 0.25 US	4	4						3

N:Old $\frac{New}{Old}$ New, Q:Old $\frac{New}{Old}$ New, R:Old $\frac{New}{Old}$ New, S:Old $\frac{New}{Old}$ New, W:Add, Z:Discontinued, F:Interchangeable by set, K:Qty Change
 Copyright (C) YANMAR CO., LTD. All Rights Reserved.

OCV10-M92300

Fig.9. LUB.OIL SYSTEM

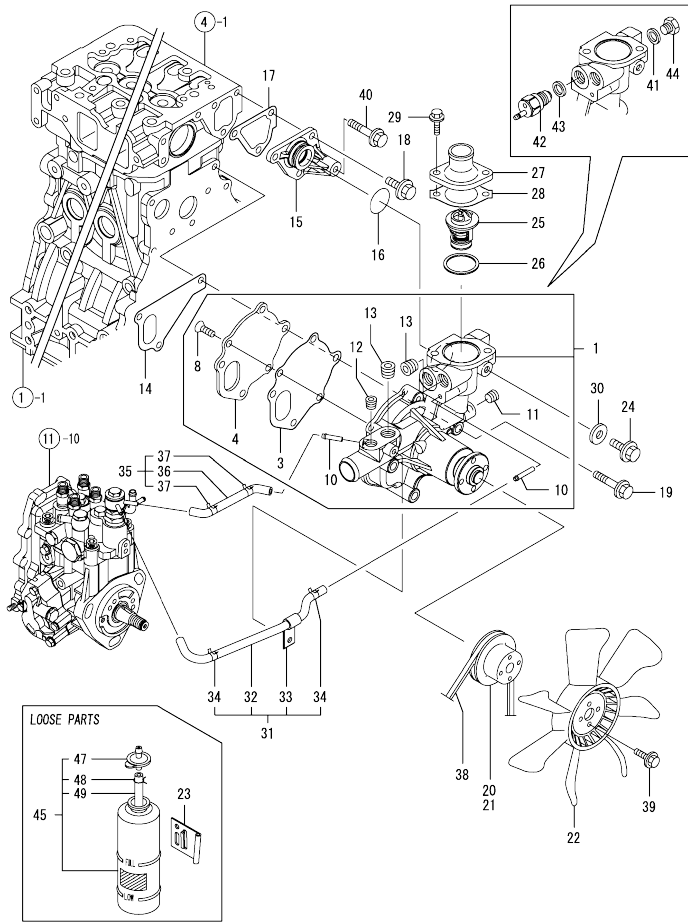


No.	Lev.	Parts No.	Description	Q'ty						I	R
				(A)	(B)	(C)	(D)	(E)	(F)		
1	1	129601-34800	DIPSTICK, OIL	1	1						
2	1	119802-34850	GUIDE, DIPSTICK	1	1						
3	1	129150-35041	GASKET	1	1						
4	1	129436-35091	PIPE ASSY, OIL INLET	1	1						
5	1	26106-080352	BOLT, M8X 35 PLATED	2	2						
6	1	119260-34810	GUIDE, DIPSTICK	1	1						
7	1	24311-240100	O-RING, 1AP10A	1	1						
8	1	26106-080162	BOLT, M8X 16 PLATED	1	1						
9	1	114250-39450	SWITCH, 0.5KG	1	1						
10	1	124160-39140	BOLT, PIPE JOINT M10	1	1						
11	1	119802-39450	PIPE ASSY, OIL	1	1						
12	1	129005-59830	BOLT ASSY, JOINT M8	1	1						
13	2	23857-030000	BOLT ASSY, JOINT 3	1	1						
14	2	22190-080002	WASHER, SEAL 6	1	1						
15	1	22190-100002	WASHER, SEAL 10	2	2						
16	1	22190-080002	WASHER, SEAL 6	1	1						
17	1	26366-060002	NUT, M6	1	1						
18	1	129508-33010	COOLER ASSY, OIL	1							
19	1	129417-33110	NUT	1							
20	1	119802-35100	BRACKET ASSY, FILTER		1						
21	2	119802-35110	BRACKET, FILTER	1							
22	2	129100-35140	STUD		1						
23	1	129006-35100	BRACKET ASSY, FILTER	1							
24	2	119802-35110	BRACKET, FILTER	1							
25	2	129417-35150	STUD, L=67	1							
26	1	129150-35111	GASKET	1	1						
27	1	129150-35153	FILTER	1	1						1
28	1	129006-44480	JOINT	1							
29	1	129508-49030	PIPE ASSY, WATER	1							
30	2	171008-03990	CLIP, HOSE 18.5	1							
32	2	23080-015000	CLAMP, 15	1							
33	1	129508-49040	PIPE ASSY, WATER	1							
35	2	119940-59130	TUBE, CORRUGATED	1							
36	2	23080-015000	CLAMP, 15	1							
37	2	23080-018000	CLAMP, 18	1							
38	1	129103-49301	ELBOW, PT1/4	1							
39	1	26106-080202	BOLT, M8X 20 PLATED	3	3						
40	1	171056-49120	PLUG, DRAIN	1	1						

Remarks
(1) REPAIR PART.

N:Old $\frac{100}{100}$ New, Q:Old $\frac{100}{100}$ New, R:Old $\frac{100}{100}$ New, S:Old $\frac{100}{100}$ New, W:Add, Z:Discontinued, F:Interchangeable by set, K:Q'ty Change
Copyright (C) YANMAR CO., LTD. All Rights Reserved.

Fig.10. COOLING WATER SYSTEM

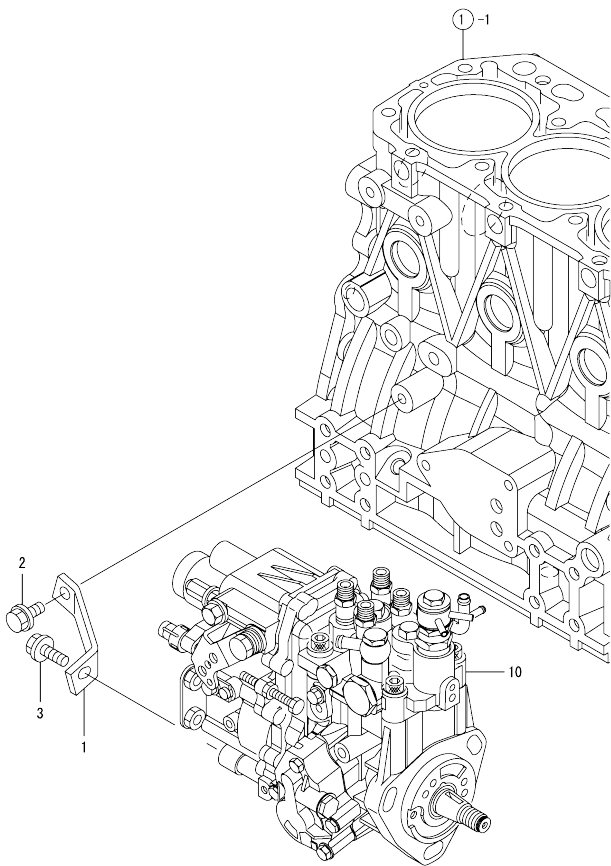


No.	Lev.	Parts No.	Description	Q'ty					
				(A)	(B)	(C)	(D)	(E)	(F)
1	1	129004-42001	PUMP ASSY, WATER	1	1				
3	2	129100-42051	GASKET, WATER PUMP	1	1				
4	2	129100-42121	PLATE	1	1				
8	2	121850-42410	SCREW	3	3				
10	2	119802-49113	JOINT, PIPE	2	2				
11	2	23876-010000	PLUG, R01	1	1				
12	2	23876-020000	PLUG, R02	1	1				
13	2	129916-49740	PLUG, R03	2	2				
14	1	129486-42021	GASKET, WATER PUMP	1	1				
15	1	129004-42040	JOINT	1	1				
16	1	129486-42140	O-RING, G30	1	1				
17	1	124395-49840	GASKET	1	1				
18	1	26106-080162	BOLT, M8X 16 PLATED	3	3				
19	1	26106-080602	BOLT, M8X 60 PLATED	3	3				
20	1	129403-42380	V-PULLEY, D=110	1	1				
21	1	129120-42350	V-PULLEY, 130		1				
22	1	129655-44740	FAN, COOLING D380	1	1				
23	1	121256-44600	BRACKET, SUB TANK	1	1				
24	1	26106-080122	BOLT, M8X 12 PLATED	1	1				
25	1	129155-49801	THERMOSTAT, 71	1	1				
26	1	129150-49811	GASKET, THERMOSTAT	1	1				
27	1	129350-49530	COVER, THERMOSTAT	1	1				
28	1	129795-49551	GASKET	1	1				
29	1	26106-080222	BOLT, M8X 22 PLATED	2	2				
30	1	23414-080000	GASKET, 8X1.0	1	1				
31	1	129004-49610	PIPE ASSY, WATER	1	1				
32	2	129004-49711	PIPE ASSY, WATER	1	1				
33	2	119802-49730	RETAINER, PIPE	1	1				
34	2	124722-59050	CLIP, HOSE 9	2	2				
35	1	129004-49620	PIPE ASSY, WATER	1	1				
36	2	129004-49721	PIPE ASSY, WATER	1	1				
37	2	124722-59050	CLIP, HOSE 9	2	2				
38	1	25132-003700	V-BELT, A37	1	1				
39	1	26106-060122	BOLT, M6X 12 PLATED	4	4				
40	1	26106-080452	BOLT, M8X 45 PLATED	1	1				
41	1	124465-44950	GASKET, 16	1	1				
42	1	121250-44901	SWITCH, 110	1	1				
43	1	124465-44950	GASKET, 16	1	1				
44	1	121450-42450	PLUG, M16	1	1				
45	1	124450-44510	TANK ASSY, SUB	1	1				
47	2	124450-44530	CAP	1	1				
48	2	124450-44560	RETAINER	1	1				
49	2	23061-070230	PIPE, 7X 230	1	1				

N:Old $\frac{New}{Old}$ New, Q:Old $\frac{New}{Old}$ New, R:Old $\frac{New}{Old}$ New, S:Old $\frac{New}{Old}$ New, W:Add, Z:Discontinued, F:Interchangeable by set, K:Q'ty Change
 Copyright (C) YANMAR CO., LTD. All Rights Reserved.

OCV10-M92300

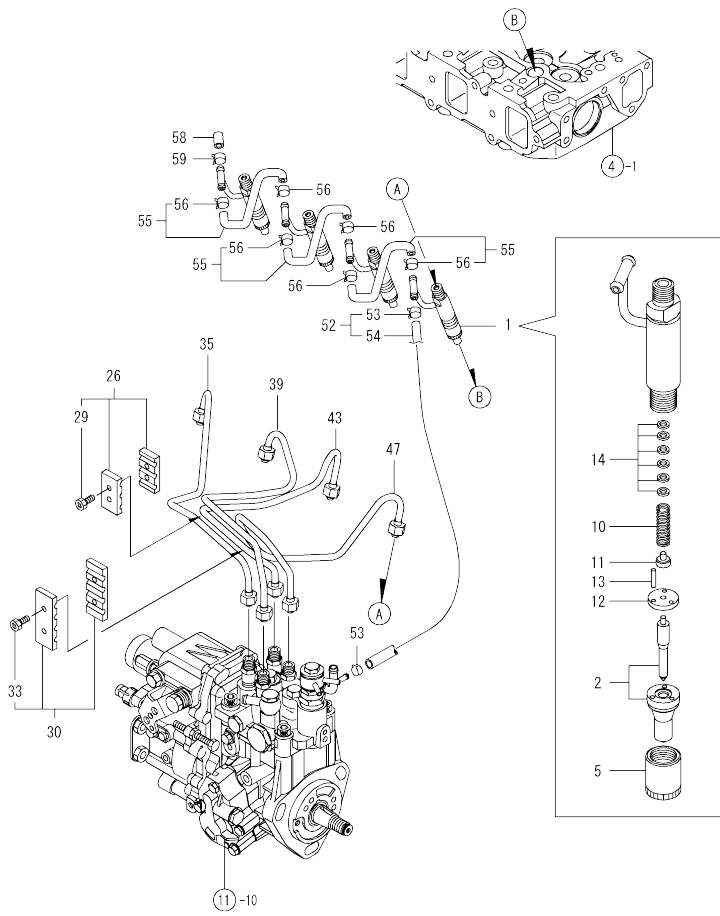
Fig.11. FUEL INJECTION PUMP



No.	Lev.	Parts No.	Description	Q'ty						
				(A)	(B)	(C)	(D)	(E)	(F)	
1	1	129601-51250	RETAINER, PUMP	1	1					
2	1	26106-080162	BOLT, M8X 16 PLATED	1	1					
3	1	26106-080202	BOLT, M8X 20 PLATED	1	1					
10	1	729645-51320	PUMP ASSY, INJECTION	1	1					

N:Old $\frac{100}{100}$ New, Q:Old $\frac{100}{100}$ New, R:Old $\frac{100}{100}$ New, S:Old $\frac{100}{100}$ New, W:Add, Z:Discontinued, F:Interchangeable by set, K:Q'ty Change
 Copyright (C) YANMAR CO., LTD. All Rights Reserved.

Fig.12. FUEL INJECTION VALVE

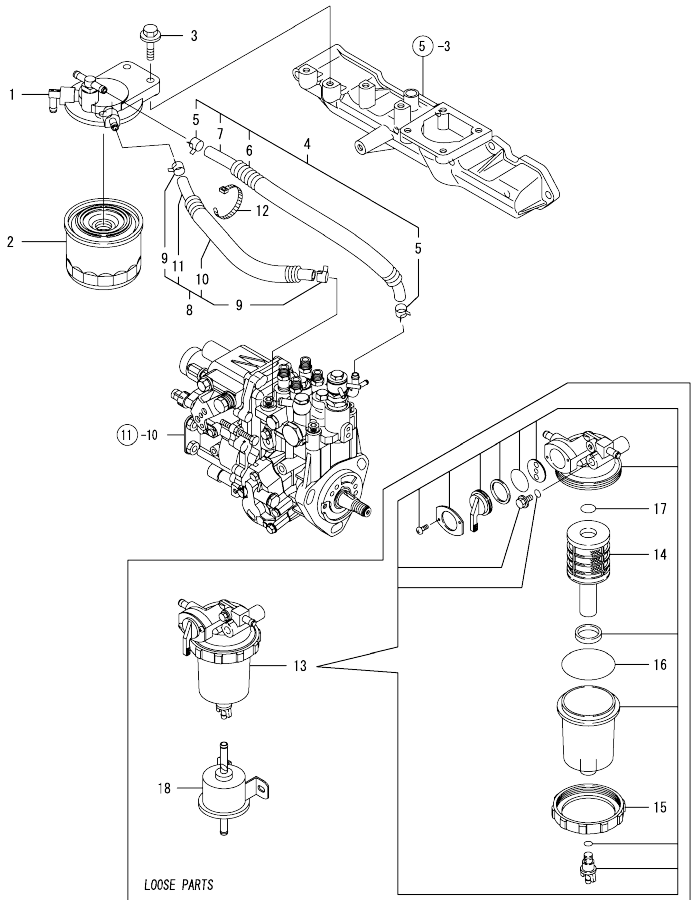


No.	Lev.	Parts No.	Description	Q'ty					
				(A)	(B)	(C)	(D)	(E)	(F)
1	1	729004-53101	VALVE ASSY,INJECTION	4	4				
2	2	129004-53001	VALVE ASSY,INJECTION	4	4				
5	2	114250-53080	NUT, NOZZLE D16.95	4	4				
10	2	114250-53120	SPRING, NOZZLE	4	4				
11	2	114250-53130	SEAT, SPRING	4	4				
12	2	114250-53140	PLATE	4	4				
13	2	114250-53210	PIN	8	8				
14	2	114250-53400	SHIM SET	4	4				
26	1	129150-59120	RETAINER, PIPE	1	1				
29	2	129150-59131	BOLT, M4X14	2	2				
30	1	129550-59120	RETAINER, PIPE	1	1				
33	2	129150-59131	BOLT, M4X14	2	2				
35	1	129601-59810	PIPE ASSY, INJECTION	1	1				
39	1	129601-59820	PIPE ASSY, INJECTION	1	1				
43	1	129601-59830	PIPE ASSY, INJECTION	1	1				
47	1	129601-59840	PIPE ASSY, INJECTION	1	1				
52	1	119802-59550	PIPE ASSY, RETURN	1	1				
53	2	124722-59050	CLIP, HOSE 9	2	2				
54	2	119802-59560	PIPE, FUEL RETURN	1	1				
55	1	129486-59551	PIPE ASSY, RETURN	3	3				
56	2	124722-59050	CLIP, HOSE 9	6	6				
58	1	119593-59580	CAP	1	1				
59	1	124060-77680	CLIP, HOSE 10	1	1				

N:Old $\frac{New}{Old}$ New, Q:Old $\frac{New}{Old}$ New, R:Old $\frac{New}{Old}$ New, S:Old $\frac{New}{Old}$ New, W:Add, Z:Discontinued, F:Interchangeable by set, K:Q'ty Change
 Copyright (C) YANMAR CO., LTD. All Rights Reserved.

OCV10-M92300

Fig.13. FUEL LINE

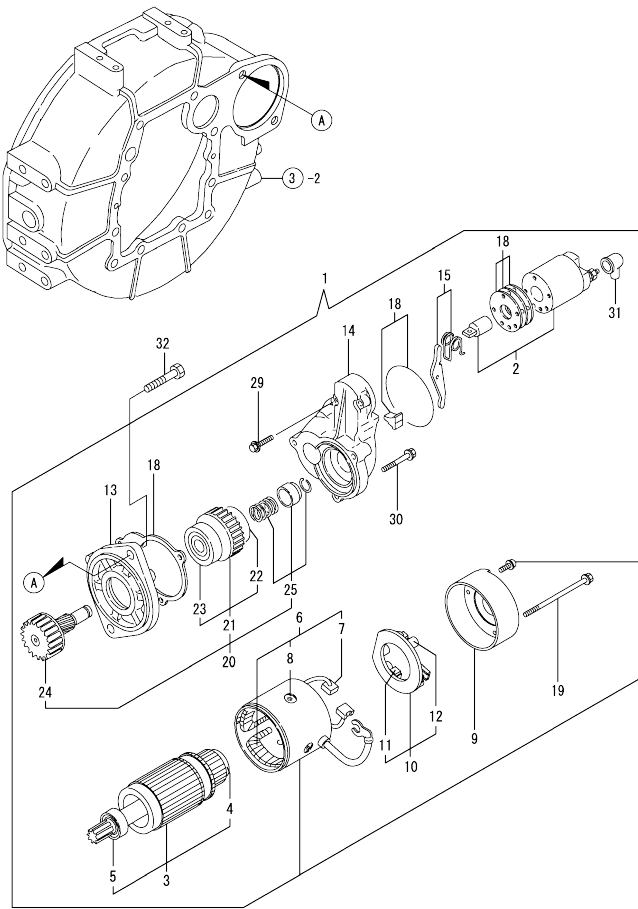


No.	Lev.	Parts No.	Description	Q'ty						
				(A)	(B)	(C)	(D)	(E)	(F)	
1	1	129004-55610	BRACKET, FILTER	1	1					
2	1	119802-55800	FILTER, FUEL	1	1					
3	1	26106-080302	BOLT, M8X 30 PLATED	2	2					
4	1	129950-59311	PIPE, FUEL	1	1					
5	2	124766-59050	CLIP, HOSE 12	2	2					
6	2	129961-59110	TUBE, CORRUGATED	1	1					
7	2	105025-59580	PIPE, FUEL	1	1					
8	1	129956-59010	PIPE ASSY, FUEL	1	1					
9	2	124766-59050	CLIP, HOSE 12	2	2					
10	2	129957-59101	TUBE, CORRUGATED	1	1					
11	2	105225-59511	PIPE, FUEL	1	1					
12	1	121750-59890	BAND, 140	1	1					
13	1	119802-55700	SEPARATOR ASSY	1	1					
14	2	119802-55710	ELEMENT	1	1					
15	2	129100-55690	RING, RETAINING	1	1					
16	2	24321-000650	O-RING, 1AG65.0	1	1					
17	2	24311-000160	O-RING, 1AP16.0	1	1					
18	1	119225-52102	PUMP ASSY, FUEL FEED	1	1					

N:Old $\frac{100}{100}$ New, Q:Old $\frac{100}{100}$ New, R:Old $\frac{100}{100}$ New, S:Old $\frac{100}{100}$ New, W:Add, Z:Discontinued, F:Interchangeable by set, K:Q'ty Change
 Copyright (C) YANMAR CO., LTD. All Rights Reserved.

OCV10-M92300

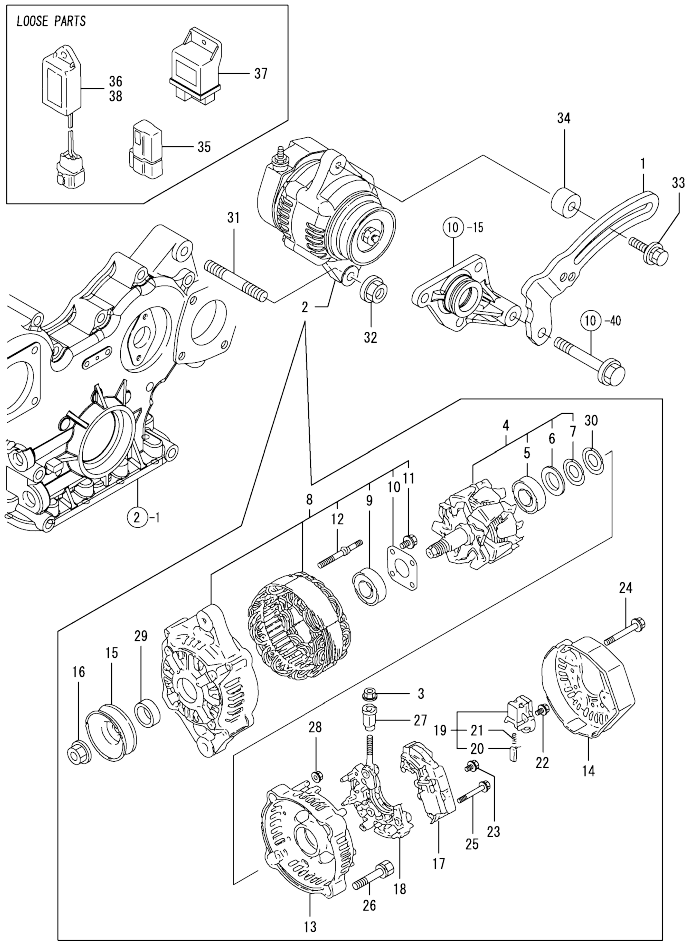
Fig.14. STARTING MOTOR



No.	Lev.	Parts No.	Description	Q'ty						I	R
				(A)	(B)	(C)	(D)	(E)	(F)		
1	1	129136-77011	STARTER	1	1						
2	2	129136-77310	SWITCH ASSY	1	1						
3	2	129900-77400	ARMATURE ASSY	1	1						
4	3	X2130350900	BEARING, BALL	1	1						
5	3	X2114255110	BEARING, BALL	1	1						
6	2	129900-77440	COIL ASSY, FIELD	1	1						
7	3	129900-77450	BRUSH	2	2						
8	3	171008-77450	SCREW	4	4						
9	2	129900-77460	COVER	1	1						
10	2	129900-77480	HOLDER ASSY, BRUSH	1	1						
11	3	129900-77450	BRUSH	2	2						
12	3	129400-77490	SPRING	4	4						
13	2	171008-77510	CASE, GEAR	1	1						
14	2	129136-77520	HOUSING	1	1						
15	2	171008-77540	LEVER SET	1	1						
18	2	129400-77571	COVER ASSY, DUST	1	1						
19	2	129900-77640	BOLT, THROUGH	2	2						
20	2	171008-77650	PINION ASSY	1	1						
21	3	X2114555500	CLUTCH ASSY	1	1						
22	4	X2114955020	BEARING, BALL	1	1						
23	4	X2240410100	BEARING, BALL	1	1						
24	3	171008-77660	SHAFT	1	1						
25	3	171008-77670	STOPPER SET	1	1						
29	2	26106-060322	BOLT, M6X 32 PLATED	2	2						
30	2	26106-060402	BOLT, M6X 40 PLATED	3	3						
31	2	171008-77750	COVER	1	1						
32	1	26116-120252	BOLT, M12X 25 PLATED	2	2						

N:Old $\frac{100}{100}$ New, Q:Old $\frac{100}{100}$ New, R:Old $\frac{100}{100}$ New, S:Old $\frac{100}{100}$ New, W:Add, Z:Discontinued, F:Interchangeable by set, K:Q'ty Change
 Copyright (C) YANMAR CO., LTD. All Rights Reserved.

Fig.15. GENERATOR

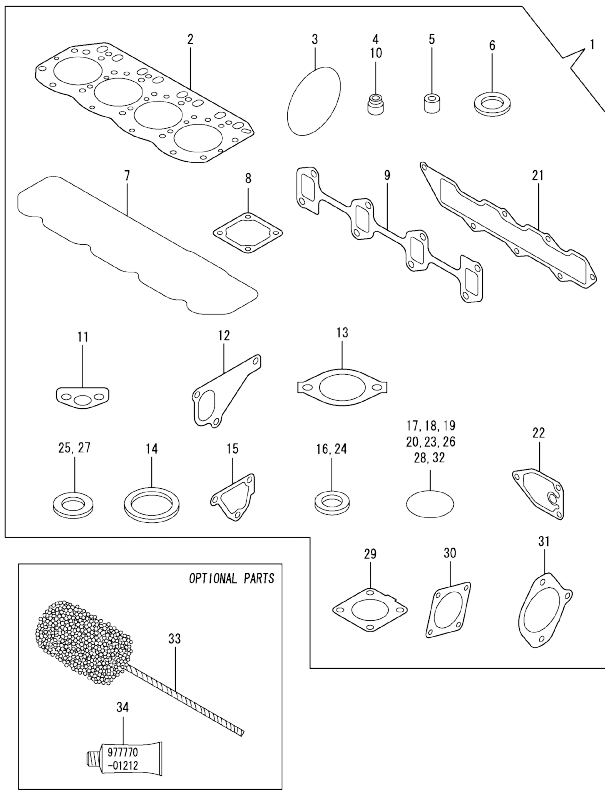


No.	Lev.	Parts No.	Description	Q'ty						I	R
				(A)	(B)	(C)	(D)	(E)	(F)		
1	1	129064-77330	ADJUSTER	1	1						
2	1	129423-77200	GENERATOR, 12V-40A	1	1						
3	2	X9490561001	NUT	1	1						
4	2	119620-77380	ROTOR ASSY	1	1						
5	3	119620-79240	BEARING, BALL	1	1						
6	3	119620-79250	COVER	1	1						
7	3	119620-79360	WASHER, THRUST	1	1						
8	2	119620-77421	FRAME ASSY, DRIVE	1	1						
9	3	119620-79200	BEARING, BALL	1	1						
10	3	119620-79210	PLATE, RETAINER	1	1						
11	3	119620-79220	SCREW	4	4						
12	3	119620-79230	STUD	2	2						
13	2	119620-77440	FRAME ASSY	1	1						
14	2	129240-79300	COVER	1	1						
15	2	119620-77461	PULLEY	1	1						
16	2	119620-77471	NUT	1	1						
17	2	129423-77710	REGULATOR ASSY	1	1						
18	2	119620-79260	HOLDER	1	1						
19	2	119620-79270	HOLDER, BRUSH	1	1						
20	3	119620-77480	BRUSH ASSY	2	2						
21	3	119620-79280	SPRING	2	2						
22	2	119620-79290	SCREW	1	1						
23	2	119620-79300	SCREW	1	1						
24	2	119620-79310	BOLT	3	3						
25	2	119620-79320	SCREW	2	2						
26	2	119620-79330	BOLT	2	2						
27	2	119620-79340	BUSH, INSULATION	1	1						
28	2	119620-79350	NUT	2	2						
29	2	119620-77490	COLLAR	1	1						
30	2	119620-79360	WASHER, THRUST	1	1						
31	1	129795-01900	STUD	1	1						
32	1	26306-100002	NUT, M10	1	1						
33	1	26014-080452	BOLT, M8X 45	1	1						
34	1	129067-77340	SPACER	1	1						
35	1	119643-66900	DIODE	1	1						
36	1	129211-77920	TIMER	1	1						
37	1	119802-77200	RELAY, SAFETY	1	1						
38	1	128300-77920	TIMER	1	1						

N:Old $\frac{100}{100}$ New, Q:Old $\frac{100}{100}$ New, R:Old $\frac{100}{100}$ New, S:Old $\frac{100}{100}$ New, W:Add, Z:Discontinued, F:Interchangeable by set, K:Q'ty Change
 Copyright (C) YANMAR CO., LTD. All Rights Reserved.

OCV10-M92300

Fig.16. GASKET SET



(A)=4TNV88-KWA
(B)=4TNV88-KWA2
(C)=
(D)=
(E)=
(F)=

No.	Lev.	Parts No.	Description	Q'ty						I	R
				(A)	(B)	(C)	(D)	(E)	(F)		
1	1	729618-92860	GASKET SET	1	1						1
2	2	129407-01340	GASKET, HEAD	1	1						
3	2	121850-51960	O-RING	1	1						
4	2	124460-11340	SEAL, VALVE STEM	4	4						
5	2	119802-11870	PROTECTOR, NOZZLE	4	4						
6	2	119625-11880	SEAT, NOZZLE	4	4						
7	2	129601-11310	GASKET, BONNET	1	1						
8	2	129150-77511	GASKET	1	1						
9	2	129550-13110	GASKET	1	1						
10	2	121400-11340	SEAL, VALVE STEM	4	4						
11	2	129150-35041	GASKET	1	1						
12	2	129486-42021	GASKET, WATER PUMP	1	1						
13	2	129795-49551	GASKET	1	1						
14	2	129150-49811	GASKET, THERMOSTAT	1	1						
15	2	124395-49840	GASKET	1	1						
16	2	22190-080002	WASHER, SEAL 6	2	2						
17	2	24311-000120	O-RING, 1AP12.0	3	3						
18	2	24311-000320	O-RING, 1AP32.0	3	3						
19	2	24341-000240	O-RING, 1AS24.0	1	1						
20	2	129486-42140	O-RING, G30	1	1						
21	2	129407-12110	GASKET, MANIFOLD	1	1						
22	2	129150-35111	GASKET	1	1						
23	2	119609-32040	O-RING, P16	4	4						
24	2	22190-100002	WASHER, SEAL 10	2	2						
25	2	23414-080000	GASKET, 8X1.0	1	1						
26	2	24311-240100	O-RING, 1AP10A	1	1						
27	2	124465-44950	GASKET, 16	2	2						
28	2	24341-000250	O-RING, 1AS25.0	1	1						
29	2	129400-13201	GASKET, SILENCER	1	1						
30	2	124240-01883	GASKET	1	1						
31	2	171353-26081	GASKET	1	1						
32	2	24321-000850	O-RING, 1AG85.0	1	1						
33	1	129400-92430	HONE	1	1						1
34	1	977770-01212	GASKET, LIQUID	1	1						1

Remarks
(1) OPTIONAL PART.

N:Old $\frac{New}{100}$ New. Q:Old $\frac{New}{100}$ New. R:Old $\frac{New}{100}$ New. S:Old $\frac{New}{100}$ New. W:Add. Z:Discontinued. F:Interchangeable by set. K:Qty Change
Copyright (C) YANMAR CO., LTD. All Rights Reserved.

Parts No. Index

Parts No.	Fig. No.	Ref. No.
105025-59580	13	7
105225-59511	13	11
114250-39450	9	9
114250-53080	12	5
114250-53120	12	10
114250-53130	12	11
114250-53140	12	12
114250-53210	12	13
114250-53400	12	14
119131-18320	6	5
119225-52102	13	18
119260-34810	9	6
119593-59580	12	58
119609-32040	2	17
	16	23
119620-01750	3	3
119620-77380	15	4
119620-77421	15	8
119620-77440	15	13
119620-77461	15	15
119620-77471	15	16
119620-77480	15	20
119620-77490	15	29
119620-79200	15	9
119620-79210	15	10
119620-79220	15	11
119620-79230	15	12
119620-79240	15	5
119620-79250	15	6
119620-79260	15	18
119620-79270	15	19
119620-79280	15	21
119620-79290	15	22
119620-79300	15	23
119620-79310	15	24
119620-79320	15	25
119620-79330	15	26
119620-79340	15	27
119620-79350	15	28
119620-79360	15	7
		30
119625-11880	4	20
	16	6
119643-66900	15	35
119802-01560	2	13
119802-03110	4	41
119802-03120	4	42
119802-03130	4	43
119802-03140	4	44
119802-11260	4	26

Parts No.	Fig. No.	Ref. No.
119802-11270	4	27
119802-11870	4	19
	16	5
119802-21201	8	5
119802-21650	8	9
119802-21660	8	10
119802-25051	7	9
119802-25070	7	13
119802-25100	7	10
119802-25901	7	15
119802-32070	2	8
119802-32100	2	7
119802-32111	2	18
119802-32120	2	19
119802-32130	2	20
119802-34850	9	2
119802-35100	9	20
119802-35110	9	21
		24
119802-39450	9	11
119802-49113	10	10
119802-49730	10	33
119802-55700	13	13
119802-55710	13	14
119802-55800	13	2
119802-59550	12	52
119802-59560	12	54
119802-77200	15	37
119865-21600	8	17
		21
119940-59130	9	35
120130-11860	4	5
120270-54410	4	23
121023-01550	2	28
121023-26070	7	19
121111-21501	8	13
121250-44901	10	42
121256-44600	10	23
121400-11340	4	16
	16	10
121450-42450	10	44
121550-23200	8	35
121750-59890	13	12
121850-21680	8	12
121850-42410	10	8
121850-51960	2	21
	16	3
123900-13610	6	3
123900-13630	6	4
124060-01050	1	10

Parts No.	Fig. No.	Ref. No.
124060-77680	12	59
124160-01751	2	14
	4	50
124160-01910	1	5
		15
124160-11360	4	52
124160-39140	9	10
124240-01871	2	15
		32
124240-01883	2	33
	16	30
124395-49840	10	17
	16	15
124450-44510	10	45
124450-44530	10	47
124450-44560	10	48
124460-11340	4	17
	16	4
124465-44950	10	41
		43
	16	27
124722-59050	10	34
		37
	12	53
		56
124766-59050	13	5
		9
128300-77920	15	38
129001-01250	1	11
129001-02930	1	25
129001-32330	2	11
129001-91841	2	22
129004-01190	1	33
129004-03010	4	39
129004-11650	4	31
129004-11900	4	21
129004-42001	10	1
129004-42040	10	15
129004-49610	10	31
129004-49620	10	35
129004-49711	10	32
129004-49721	10	36
129004-53001	12	2
129004-55610	13	1
129005-01520	2	12
129005-03080	5	1
129005-11100	4	10
129005-22080	8	22
129005-22500	8	24
129005-22900	8	38

Parts No.	Fig. No.	Ref. No.
129005-22950	8	40
129005-59830	9	12
129006-35100	9	23
129006-44480	9	28
129064-77330	15	1
129067-77340	15	34
129100-01580	3	1
		15
	8	2
129100-01640	3	16
129100-11110	4	11
129100-23910	8	34
129100-35140	9	22
129100-42051	10	3
129100-42121	10	4
129100-55690	13	15
129103-49301	9	38
129120-42350	10	21
129120-77501	5	8
129136-77011	14	1
129136-77310	14	2
129136-77520	14	14
129150-01200	1	31
129150-02020	1	7
129150-02450	7	4
129150-02870	1	34
129150-02930	1	28
129150-02940	1	37
129150-03070	4	40
129150-11230	4	32
129150-11280	4	28
129150-11370	4	18
129150-11750	4	34
129150-11810	4	7
129150-14101	7	7
129150-14200	7	1
129150-14400	7	2
129150-23600	8	36
129150-23610	8	44
129150-25301	7	16
129150-35041	9	3
	16	11
129150-35111	9	26
	16	22
129150-35153	9	27
129150-49811	10	26
	16	14
129150-59120	12	26
129150-59131	12	29
		33

Parts No. Index

Parts No.	Fig. No.	Ref. No.
129150-77511	5	9
	16	8
129155-49801	10	25
129202-22300	8	28
129211-77920	15	36
129240-79300	15	14
129350-49530	10	27
129400-01730	3	6
129400-01770	3	8
129400-13101	6	1
129400-13201	6	7
	16	29
129400-77490	14	12
129400-77571	14	18
129400-92430	16	33
129403-42380	10	20
129407-01340	1	32
	16	2
129407-12110	5	5
	16	21
129410-03990	5	2
129417-33110	9	19
129417-35150	9	25
129418-32320	2	10
129423-77200	15	2
129423-77710	15	17
129436-35091	9	4
129484-26200	7	21
129484-26210	7	23
129486-01670	3	19
129486-42021	10	14
	16	12
129486-42140	10	16
	16	20
129486-59551	12	55
129508-33010	9	18
129508-49030	9	29
129508-49040	9	33
129550-13110	6	2
	16	9
129550-59120	12	30
129601-11241	4	25
129601-11251	4	29
129601-11310	4	47
	16	7
129601-11350	4	38
129601-21001	8	1
129601-34800	9	1
129601-51250	11	1
129601-59810	12	35

Parts No.	Fig. No.	Ref. No.
129601-59820	12	39
129601-59830	12	43
129601-59840	12	47
129602-11700	4	1
129602-12100	5	3
129612-01600	3	2
129645-21500	8	14
129655-44740	10	22
129688-01780	3	8 -1
129795-01780	3	18
129795-01800	2	6
129795-01900	15	31
129795-01950	2	16
129795-02411	1	14
129795-11120	4	12
129795-11180	4	13
129795-21661	8	11
129795-49551	10	28
	16	13
129900-07900	4	54
129900-32130	2	9
129900-77400	14	3
129900-77440	14	6
129900-77450	14	7
	11	
129900-77460	14	9
129900-77480	14	10
129900-77640	14	19
129916-49740	10	13
129950-59311	13	4
129956-59010	13	8
129957-59101	13	10
129961-59110	13	6
158552-51151	7	17
171008-03990	9	30
171008-77450	14	8
171008-77510	14	13
171008-77540	14	15
171008-77650	14	20
171008-77660	14	24
171008-77670	14	25
171008-77750	14	31
171031-11741	2	35
171051-01921	1	6
171056-49120	9	40
171301-01640	3	9
171353-26081	7	20
	16	31
	8	18
171420-21580	8	18
22190-080002	9	14

Parts No.	Fig. No.	Ref. No.
22190-080002	9	16
	16	16
22190-100002	9	15
	16	24
22217-140000	7	18
22252-000260	8	29
22351-030010	8	8
22351-060012	4	22
22512-070140	7	8
	8	6
22857-500100	4	48
	4	49
23061-070230	10	49
23080-015000	9	32
	36	
23080-018000	9	37
23414-080000	10	30
	16	25
23857-030000	9	13
23876-010000	10	11
23876-020000	10	12
23876-030000	2	4
23876-040000	2	5
24105-060064	7	26
24311-000120	4	53
	16	17
24311-000160	13	17
24311-000320	2	23
	36	
	4	51
	16	18
24311-240100	9	7
	16	26
24321-000650	13	16
24321-000850	7	27
	16	32
24341-000240	2	29
	16	19
24341-000250	3	11
	16	28
25132-003700	10	38
26014-080452	15	33
26106-060122	10	39
26106-060162	2	30
26106-060322	14	29
26106-060402	14	30
26106-080122	2	34
	10	24
26106-080142	4	55
	7	30

Parts No.	Fig. No.	Ref. No.
26106-080162	2	24
		25
	3	12
	9	8
	10	18
	11	2
26106-080202	5	6
	9	39
	11	3
26106-080222	10	29
26106-080252	3	13
	4	36
26106-080302	13	3
26106-080352	3	20
	4	24
	5	10
	9	5
26106-080402	7	14
26106-080452	3	14
	14	-1
	10	40
26106-080502	3	22
	4	37
26106-080552	2	26
26106-080602	10	19
26106-080802	5	7
26106-100452	7	28
26116-120252	14	32
26206-100252	3	4
26206-100302	3	5
26226-080182	4	35
26306-080002	2	27
	6	6
26306-100002	15	32
26366-060002	9	17
26450-080282	7	29
26776-140002	7	31
27241-120000	1	12
27241-300000	1	13
27241-400000	4	9
27310-080001	4	14
729004-53101	12	1
729005-01500	2	1
729402-14580	7	3
729402-23100	8	30
729602-01560	1	1
729618-92660	16	1
729645-51320	11	10
977770-01212	2	31
	3	21

Parts No. Index

Parts No.	Fig. No.	Ref. No.
977770-01212	4	56
	16	34
X2114255110	14	5
X2114555500	14	21
X2114955020	14	22
X2130350900	14	4
X2240410100	14	23
X9490561001	15	3

Parts No.	Fig. No.	Ref. No.
-----------	----------	----------

Parts No.	Fig. No.	Ref. No.
-----------	----------	----------

Parts No.	Fig. No.	Ref. No.
-----------	----------	----------