

0CV10-M93900EN

PREFACE

- 1.This Parts Catalog carries all parts incorporated in YANMAR Model 4TNV88-KLAN engine manufactured since April, 2004.
- 2.Each illustration corresponds to the parts list on the following page.
- 3.When ordering parts,clearly write down the engine model and serial number,as well as the name and number of each part in your order sheet. This will help insure reliable delivery of the parts you have ordered.

How to read this Parts Catalog.

1. Parts mentioned in Parts Catalog may not necessarily be standard equipping parts
2. Parts change may be made without prior notice.
3. Form of this Parts Catalog.

Y00F2161 29. FUEL INJECTION PUMP (W/BOOST)								(A)=4JH-DT	(D)=4JH-DTZA	
								(B)=4JH-DTZ	(E)=4JH-DTZY	
								(C)=4JH-DTZP	(F)=	
① REF.	② LEV.	PARTS No.	DESCRIPTION	QTY						I R
				(A)	(B)	(C)	(D)	(E)	(F)	
1		729595-51390	FUEL INJECTION PUMP	1	1	1	1	1		
1-1		729595-51391	FUEL INJECTION PUMP	1	1	1	1	1		N 1
	⑤	(A=E00185) (B=E00200)								
3	2	26022-060162	SCREW M 6X16	9	9	9	9	9		
1 3-1	2	26022-060162	SCREW M 6X16	4	4	4	4	4		K
		(A=E00156) (B=E00156) (C=E00156) (D=E00156) (E=E00156)								
4	2	129470-51040	CAMSHFT	9	9	9	9	9		
5	2	122710-51050	BEARING. ROLLER	9	9	9	9	9		
6	2	129470-51060	RETAINER	9	9	9	9	9		

Remarks

(1) BOOST COMPEMSATOR TYPE. OPTIONAL PART. TO E/#00155 (4JH-DT, 4JH-DTZ)

① Ref. No.

The Ref. No. in the list may not be in accordance with the Ref. No. on illustration.

(Ex.) illustration No, List heed No,
 1 1 (Before change) → 1-1 (After change)

When interchangeable symbol N, and k, illustrations for the new parts are sometimes omitted.

② Lev. (Level)

Indication and Meaning of Level

Level Hereunder is given the relation among the number of number (1,2,3) the level and the nominal parent-child relationship.

- 1 ---- Parent parts (Assembly parts)
- 2 ---- Child parts included in " 1 " (Semi-Assembly parts, component parts of Assembly parts.)
- 3 ---- Child parts included in " 2 ", Grand-child parts in terms of " 1 ".
(Component parts of Semi-Assembly parts.)

Note) A parts of non-sale parts are illustrated but not listed.

③ Change Mark

Change Mark " I " is given to the part for which a design change was made at this time.

The design change was not shown in the last published Parts Catalog.

④ Interchangeability Mark

In the case where a part change took place, one of the following interchangeability marks is indicated for that part

Symbol	Interchangeability	Contents note
N	Old ← → New	New Part is interchangeable for Old Part but not interchangeable conversely.
Q	Old ← → New	New Part is not interchangeable for Old Part but interchangeable conversely.
R	Old ← → New	New Part is interchangeable for Old Part and vice versa.
S	Old ← → New	New Part is not interchangeable for Old Part and vice versa.
W		Part newly added.
Z		Part discontinued.
F		Not interchangeable single part but interchangeable by set of the related parts.
K		Changed only in quantity used.

⑤ Effective Machine No.

When a part is changed, Effective Machine No. of a Model for which the part is applicable is indication

In each column of (A)-(F).

Product Symbol	Product No.	Product Symbol	Product No.
C	Clutch No, Compressor No,	M	Machine No,
D	Drive No,	T	Tractor No,
E	Engine No,	Note 1)※	Date

Note 1) Date may follow the symbol in some cases. (Ex.) ※1996.01

Note 2) As far as engine models shown by " XXX " are concerned, the modification of the parts could not be Predicted or the engine models themselves could not be identified.

Note 3) (A=E/#00185) means that the design change on the part has been effective for the model at the, column (A) (in the case, for 4JH-DT) on and from E/#(Engine Serial Number) 00185

⑥ Remarks Mark

Figures or alphabets (Symbols) are entered in the remark column.

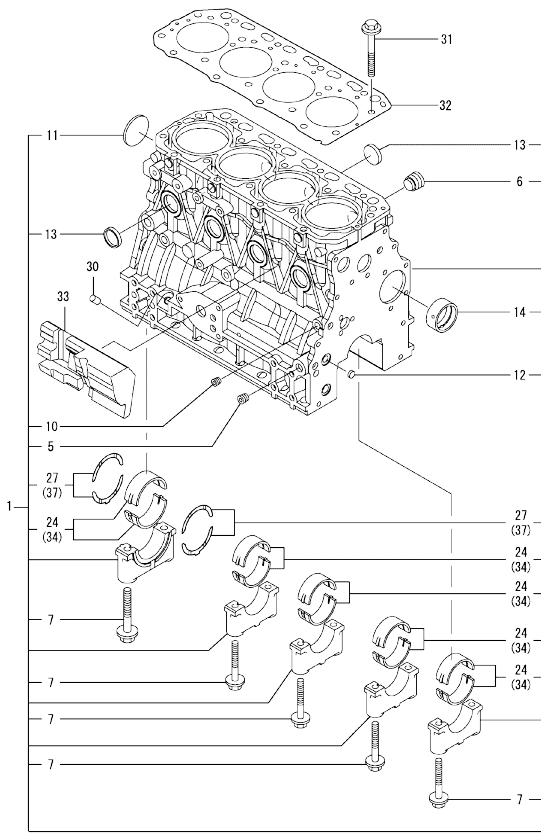
The comments (remarks) on the pertinent parts are indicated in the lower part of the list by the same symbols a those stated above.

Contents

0CV10-M93900

Fig. No.	Fig. Name	Fig. No.	Fig. Name
ENGINE (4TNV88-KLAN)			
1.	CYLINDER BLOCK		
2.	GEAR HOUSING		
3.	MOUNTING FLANGE & OIL SUMP		
4.	CYLINDER HEAD & BONNET		
5.	SUCTION MANIFOLD		
6.	EXHAUST MANIFOLD		
7.	CAMSHAFT & DRIVING GEAR		
8.	CRANKSHAFT & PISTON		
9.	BALANCER		
10.	LUB.OIL SYSTEM		
11.	COOLING WATER SYSTEM		
12.	FUEL INJECTION PUMP		
13.	FUEL INJECTION VALVE		
14.	FUEL LINE		
15.	STARTING MOTOR		
16.	GENERATOR		
17.	GASKET SET		

Fig.1. CYLINDER BLOCK



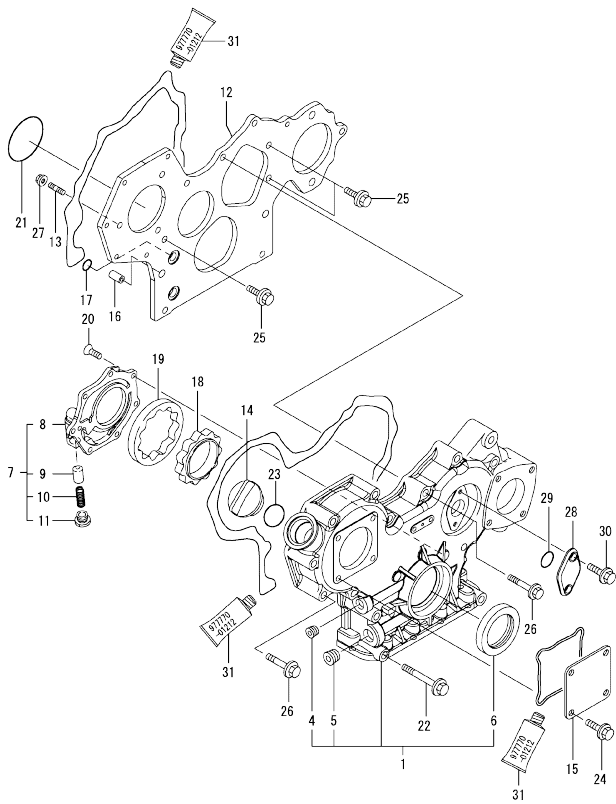
(A)=4TNV88-KLAN
(B)=
(C)=

(D)=
(E)=
(F)=

No.	Lev.	Parts No.	Description	Q'ty						I	R
				(A)	(B)	(C)	(D)	(E)	(F)		
1	1	729659-01570	BLOCK ASSY, CYLINDER	1							
5	2	124160-01910	PLUG, PT1/4	2							
6	2	171051-01921	PLUG, NPTF1	1							
7	2	129150-02020	BOLT, METAL CAP	10							
10	2	124060-01050	PLUG, PT1/8	1							
11	2	129001-01250	PLUG, 50	1							
12	2	27241-120000	PLUG, 12	2							
13	2	27241-300000	PLUG 30	8							
14	2	129795-02411	BUSH, CAMSHAFT	1							
24	2	129001-02930	BEARING, MAIN	5							3
27	2	129150-02930	BEARING, THRUST	2							
30	1	119309-01810	PLUG	1							
31	1	129150-01200	BOLT, HEAD	18							
32	1	129407-01340	GASKET, HEAD	1							
33	1	129004-01190	SPACER	1							
34	1	129150-02870	BEARING, 0.25 US	5							1
37	1	129150-02940	BEARING, THRUST 0.25	1							2

Remarks
(1) UNDER-SIZE(U.S=0.25)PART.
(2) OVER-SIZE(O.S=0.25)PART.
(3) REPAIR PART.

Fig.2. GEAR HOUSING



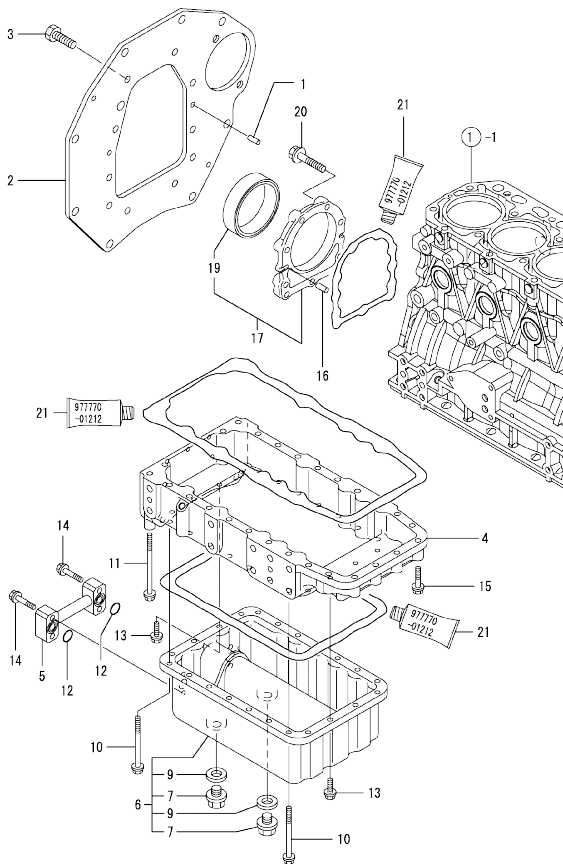
(A)=4TNV88-KLAN
(B)=
(C)=

(D)=
(E)=
(F)=

No.	Lev.	Parts No.	Description	Qty						I	R
				(A)	(B)	(C)	(D)	(E)	(F)		
1	1	729005-01500	CASE ASSY, GEAR	1							
4	2	23876-030000	PLUG, R03	1							
5	2	23876-040000	PLUG, R04	1							
6	2	129795-01800	SEAL, OIL	1							
7	1	119802-32100	COVER ASSY	1							
8	2	119802-32070	COVER	1							
9	2	129900-32130	VALVE, RELIEF	1							
10	2	129418-32320	SPRING	1							
11	2	129001-32330	PLUG	1							
12	1	129005-01520	FLANGE, GEAR CASE	1							
13	1	119802-01560	STUD, M8X25	3							
14	1	124160-01751	COVER, FILLER	1							
15	1	124240-01871	COVER	1							
16	1	129795-01950	PIPE, KNOCK L=18	2							
17	1	119609-32040	O-RING, P16	4							
18	1	119802-32111	ROTOR, INNER	1							
19	1	119802-32120	ROTOR, OUTER	1							
20	1	119802-32130	SCREW, M6X16	7							
21	1	121850-51960	O-RING	1							
22	1	129001-91841	BOLT, M8X85	3							
23	1	24311-000320	O-RING, 1AP32.0	1							
24	1	26106-080162	BOLT, M8X 16 PLATED	4							
25	1	26106-080162	BOLT, M8X 16 PLATED	3							
26	1	26106-080552	BOLT, M8X 55 PLATED	11							
27	1	26306-080002	NUT, M8	3							
28	1	121023-01550	COVER	1							
29	1	24341-000240	O-RING, 1AS24.0	1							
30	1	26106-060162	BOLT, M6X 16 PLATED	2							
31	1	977770-01212	GASKET, LIQUID	1							1

Remarks
(1) OPTIONAL PART.

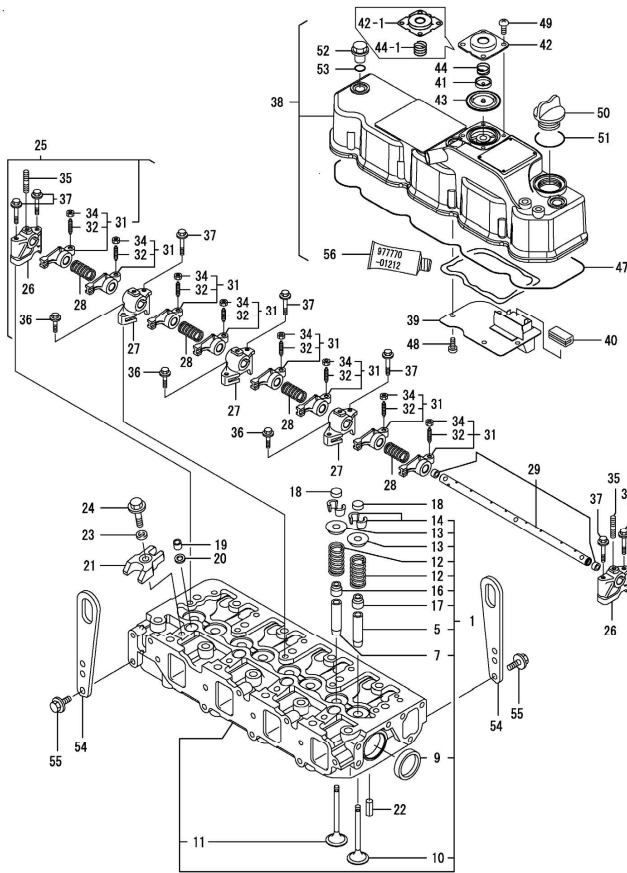
Fig.3. MOUNTING FLANGE & OIL SUMP



No.	Lev.	Parts No.	Description	Q'ty						I	R
				(A)	(B)	(C)	(D)	(E)	(F)		
1	1	129100-01580	PIN, M8X16	2							
2	1	129051-01600	FLANGE, MOUNTING	1							
3	1	26206-100202	BOLT, M10X 20 PLATED	8							
4	1	129457-01700	SPACER, OIL SUMP	1							
5	1	129051-01721	JOINT	1							
6	1	129457-01780	SUMP ASSY, OIL	1							
7	2	105425-01690	PLUG, 16	2							
9	2	22190-160002	WASHER, SEAL 16	2							
10	1	129001-91870	BOLT, M8X100	14							
11	1	129001-91910	BOLT, M8X120	4							
12	1	24311-000180	O-RING, 1AP18.0	2							
13	1	26106-080252	BOLT, M8X 25 PLATED	8							
14	1	26106-080402	BOLT, M8X 40 PLATED	4							
15	1	26106-080502	BOLT, M8X 50 PLATED	8							
16	1	129100-01580	PIN, M8X16	2							
17	1	129100-01640	CASE ASSY, OIL SEAL	1							
19	2	129795-01780	SEAL, OIL	1							
20	1	129486-01670	BOLT, M8X30	9							
21	1	97770-01212	GASKET, LIQUID	1							1

Remarks
(1) OPTIONAL PART.

Fig.4. CYLINDER HEAD & BONNET

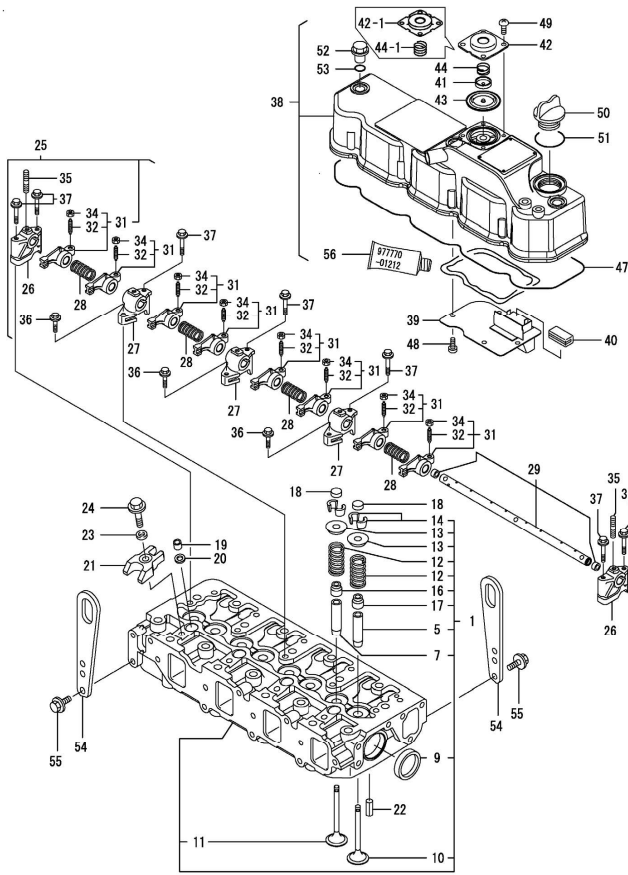


Remarks
 (1) REPAIR PART.
 (2) OPTIONAL PART.

No.	Lev.	Parts No.	Description	Q'ty						I	R
				(A)	(B)	(C)	(D)	(E)	(F)		
1	1	129602-11700	HEAD ASSY, CYLINDER	1							
5	2	120130-11860	GUIDE, VALVE	4							1
7	2	129150-11810	GUIDE, VALVE	4							1
9	2	27241-400000	PLUG, 40	2							
10	2	129005-11100	VALVE, SUCTION	4							
11	2	129100-11110	VALVE, EXHAUST	4							
12	2	129795-11120	SPRING, VALVE	8							
13	2	129795-11180	RETAINER, SPRING	8							
14	2	27310-080001	COTTER, 8	8							
16	2	121400-11340	SEAL, VALVE STEM	4							
17	2	124460-11340	SEAL, VALVE STEM	4							
18	1	129150-11370	CAP, VALVE	8							
19	1	119802-11870	PROTECTOR, NOZZLE	4							
20	1	119625-11880	SEAT, NOZZLE	4							
21	1	129004-11900	RETAINER, NOZZLE	4							
22	1	22351-060012	PIN, SPRING 6.0X12	2							
23	1	120270-54410	WASHER, INJECTOR	4							
24	1	26106-080352	BOLT, M8X 35 PLATED	4							
25	1	129601-11241	SHAFT ASSY, ROCKER	1							
26	2	119802-11260	SUPPORT, ROCKER ARM	2							
27	2	119802-11270	SUPPORT, ROCKER ARM	3							
28	2	129150-11280	SPRING, ROCKER	4							
29	2	129601-11251	SHAFT, ROCKER ARM	1							
31	2	129004-11650	ARM ASSY, ROCKER	8							
32	3	129150-11230	SCREW, VALVE ADJUST	8							
34	3	129150-11750	NUT, M8	8							
35	2	26226-080182	STUD, M8X 18	3							
36	1	26106-080252	BOLT, M8X 25 PLATED	3							
37	1	26106-080502	BOLT, M8X 50 PLATED	7							
38	1	129601-11350	BONNET ASSY, HEAD	1							
38-1	1	129236-11360	BONNET ASSY, HEAD	1							N
		(A=E153818)									
39	2	129004-03010	PLATE, BAFFLE	1							
40	2	129150-03070	BAFFLE, BREATHER	1							
41	2	119802-03110	PLATE, DIAPHRAGM	1							
42	2	119802-03120	COVER, DIAPHRAGM	1							
42-1	2	119802-03121	COVER, DIAPHRAGM	1							N
		(A=E04872)									
42-2	2	129236-03120	COVER, DIAPHRAGM	1							N
		(A=E153818)									
43	2	119802-03130	DIAPHRAGM	1							
44	2	119802-03140	SPRING, DIAPHRAGM	1							
44-1	2	119802-03140	SPRING, DIAPHRAGM	1							R
		(A=E04872)									
47	2	129601-11310	GASKET, BONNET	1							
48	2	22857-500100	SCREW, 5X10	4							
49	2	22857-500100	SCREW, 5X10	4							
50	1	124160-01751	CAP, FILLER	1							
51	1	24311-000320	O-RING, 1AP32.0	1							
52	1	124160-11360	KNOB	3							
53	1	24311-000120	O-RING, 1AP12.0	3							

N:Old $\frac{New}{Old}$ New, Q:Old $\frac{New}{Old}$ New, R:Old $\frac{New}{Old}$ New, S:Old $\frac{New}{Old}$ New, W:Add, Z:Discontinued, F:Interchangeable by set, K:Q'ty Change
 ++ CONTINUE ++
 Copyright (C) YANMAR GLOBAL CS CO., LTD. All Rights Reserved.

Fig.4. CYLINDER HEAD & BONNET



(A)=4TNV88-KLAN
(B)=
(C)=

(D)=
(E)=
(F)=

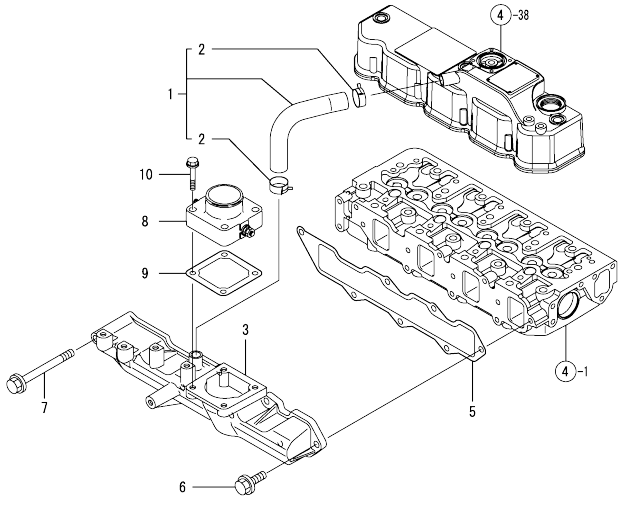
No.	Lev.	Parts No.	Description	Q'ty						I	R
				(A)	(B)	(C)	(D)	(E)	(F)		
54	1	129900-07900	LIFTER, ENGINE	2							
55	1	26106-080142	BOLT, M8X 14 PLATED	4							
56	1	977770-01212	GASKET, LIQUID	1							2

Remarks

- (1) REPAIR PART.
- (2) OPTIONAL PART.

0CV10-M93900 ENGINE (4TNV88-KLAN)
 Fig.5. SUCTION MANIFOLD

0CV10-M93900 Fig.5



No.	Lev.	Parts No.	Description	Q'ty					
				(A)	(B)	(C)	(D)	(E)	(F)
1	1	129005-03080	PIPE , BREATHER	1					
2	2	129410-03990	CLAMP 24	2					
3	1	129602-12100	MANIFOLD, AIR INTAKE	1					
5	1	129407-12110	GASKET, MANIFOLD	1					
6	1	26106-080202	BOLT, M8X 20 PLATED	6					
7	1	26106-080802	BOLT, M8X 80 PLATED	1					
8	1	129120-77501	HEATER	1					
9	1	129150-77511	GASKET	1					
10	1	26106-080352	BOLT, M8X 35 PLATED	4					

N:Old $\frac{100}{100}$ New, Q:Old $\frac{100}{100}$ New, R:Old $\frac{100}{100}$ New, S:Old $\frac{100}{100}$ New, W:Add, Z:Discontinued, F:Interchangeable by set, K:Q'ty Change
 Copyright (C) YANMAR GLOBAL CS CO., LTD. All Rights Reserved.

0CV10-M93900 ENGINE (4TNV88-KLAN)
 Fig.6. EXHAUST MANIFOLD

0CV10-M93900 Fig.6

(A)=4TNV88-KLAN
 (B)=
 (C)=

(D)=
 (E)=
 (F)=

No.	Lev.	Parts No.	Description	Q'ty						I	R
				(A)	(B)	(C)	(D)	(E)	(F)		
1	1	129411-13100	MANIFOLD, EXHAUST	1							
2	1	129550-13110	GASKET	1							
3	1	123900-13610	STUD, M8X80	2							
4	1	123900-13630	BOLT, M8X80	6							
5	1	119131-18320	STUD, M8X22	4							
6	1	26306-080002	NUT, M8	2							
7	1	129930-13200	GASKET, SILENCER	1							

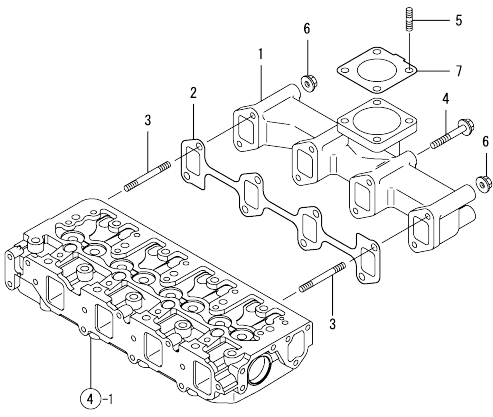
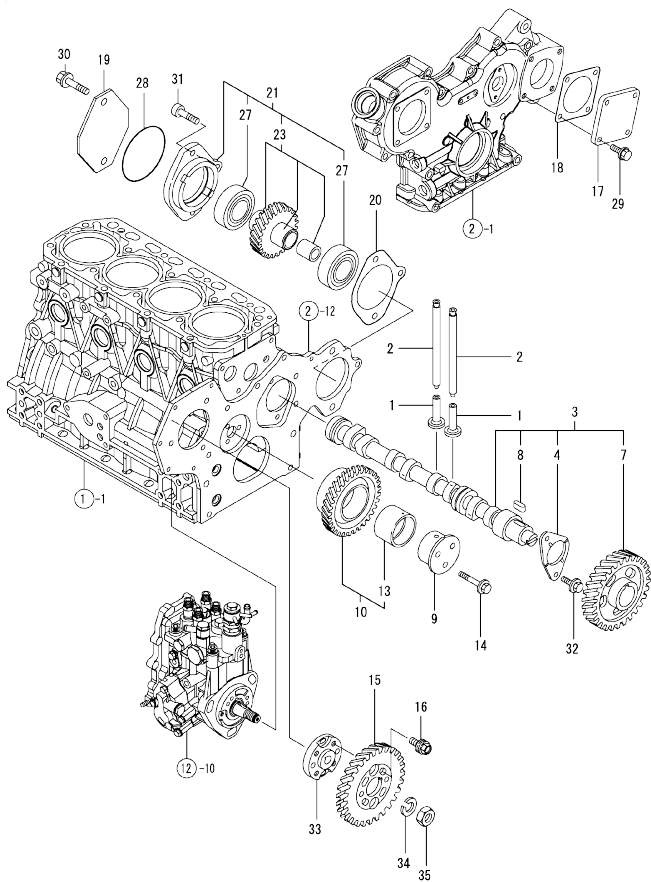


Fig.7. CAMSHAFT & DRIVING GEAR



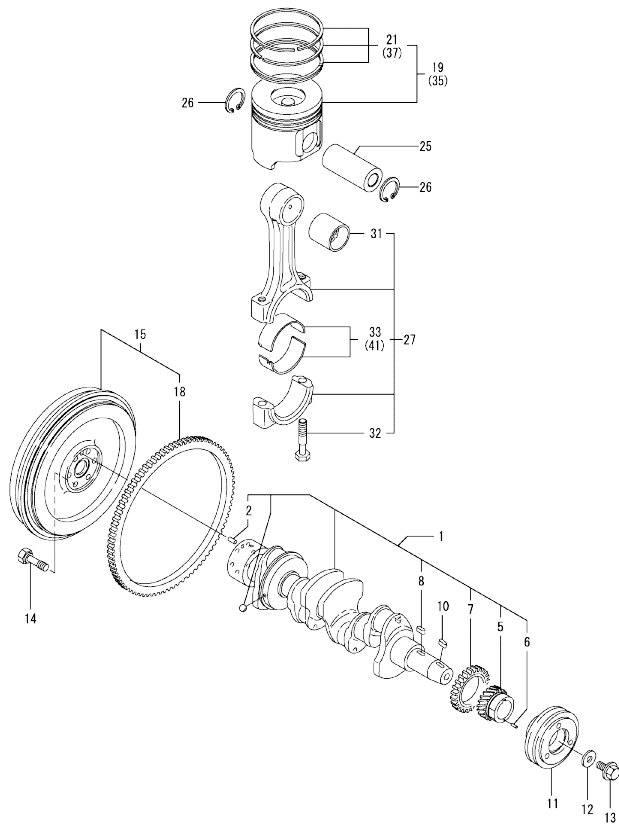
(A)=4TNV88-KLAN
(B)=
(C)=

(D)=
(E)=
(F)=

No.	Lev.	Parts No.	Description	Q'ty						I	R
				(A)	(B)	(C)	(D)	(E)	(F)		
1	1	129150-14200	TAPPET	8							
2	1	129150-14400	ROD, PUSH L=178	8							
3	1	729402-14580	CAMSHAFT ASSY	1							
4	2	129150-02450	BEARING, THRUST	1							
7	2	129150-14101	GEAR, CAMSHAFT	1							
8	2	22512-070140	KEY, 7X 14	1							
9	1	119802-25051	SHAFT, IDLE	1							
10	1	119802-25100	GEAR ASSY, IDLE	1							
13	2	119802-25070	BUSH, IDLE GEAR	1							1
14	1	26106-080402	BOLT, M8X 40 PLATED	3							
15	1	119802-25901	GEAR, PUMP	1							
16	1	129150-25301	BOLT	4							
17	1	124240-01871	COVER	1							
18	1	124240-01883	GASKET	1							
19	1	121023-26070	COVER	1							
20	1	171353-26081	GASKET	1							
21	1	129051-26200	DRIVE ASSY, PUMP	1							
23	2	129051-26210	GEAR ASSY, PUMP	1							
27	2	24105-060064	BEARING, BALL 6006Z	2							
28	1	24321-000850	O-RING, 1AG85.0	1							
29	1	26106-080162	BOLT, M8X 16 PLATED	4							
30	1	26106-100452	BOLT, M10X 45 PLATED	2							
31	1	26450-080282	BOLT, M8X 28	1							
32	1	26106-080142	BOLT, M8X 14 PLATED	2							
33	1	158552-51151	FLANGE	1							
34	1	22217-140000	WASHER, SPRING 14	1							
35	1	26776-140002	NUT, LOCK M14	1							

Remarks
(1) REPAIR PART.

Fig.8. CRANKSHAFT & PISTON



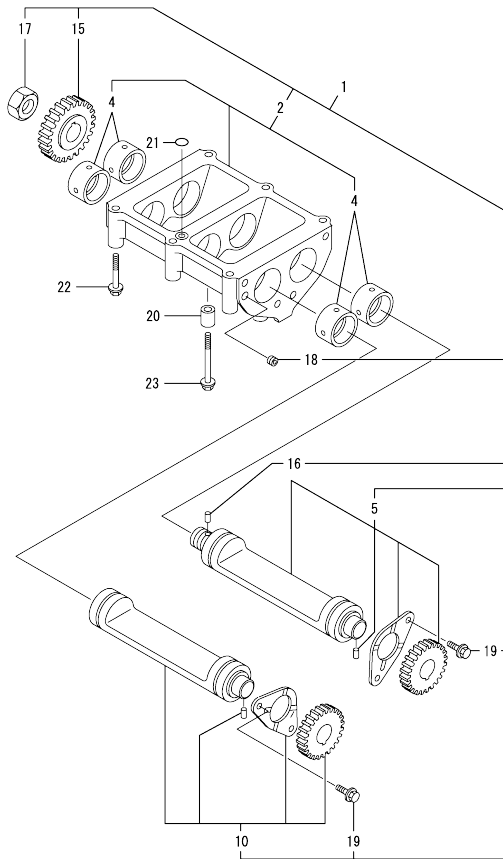
(A)=4TNV88-KLAN
(B)=
(C)=

(D)=
(E)=
(F)=

No.	Lev.	Parts No.	Description	Q'ty						I	R
				(A)	(B)	(C)	(D)	(E)	(F)		
1	1	129657-21001	CRANKSHAFT ASSY	1							
2	2	129100-01580	PIN, M8X16	1							
5	2	119802-21201	GEAR, CRANKSHAFT	1							
6	2	121850-21290	PIN	1							
7	2	129400-28121	GEAR, BALANCER	1							
8	2	22512-070140	KEY, 7X 14	1							
10	1	22512-070140	KEY, 7X 14	1							
11	1	129457-21650	V-PULLEY	1							
12	1	129795-21661	WASHER	1							
13	1	121850-21680	BOLT	1							
14	1	121111-21501	BOLT, FLYWHEEL	6							
15	1	129457-21560	FLYWHEEL ASSY	1							
18	2	119865-21600	GEAR, RING	1							
19	1	129005-22080	PISTON ASSY	4							
21	2	129005-22500	RING SET, PISTON	4							
25	1	129202-22300	PIN, PISTON D26 L70	4							
26	1	22252-000260	RING, 26	8							
27	1	729402-23100	ROD ASSY, CONNECTING	4							
31	2	129100-23910	BEARING, PISTON PIN	4							1
32	2	121550-23200	BOLT, CONNECTING ROD	8							
33	2	129150-23600	BEARING, CRANK PIN	4							
35	1	129005-22900	PISTON ASSY, 0.25 OS	4							2
37	2	129005-22950	RING SET, 0.25 OS	4							2
41	1	129150-23610	BEARING, 0.25 US	4							3

Remarks
(1) REPAIR PART.
(2) OVER-SIZE(O.S=0.25)PART.
(3) UNDER-SIZE(U.S=0.25)PART.

Fig.9. BALANCER

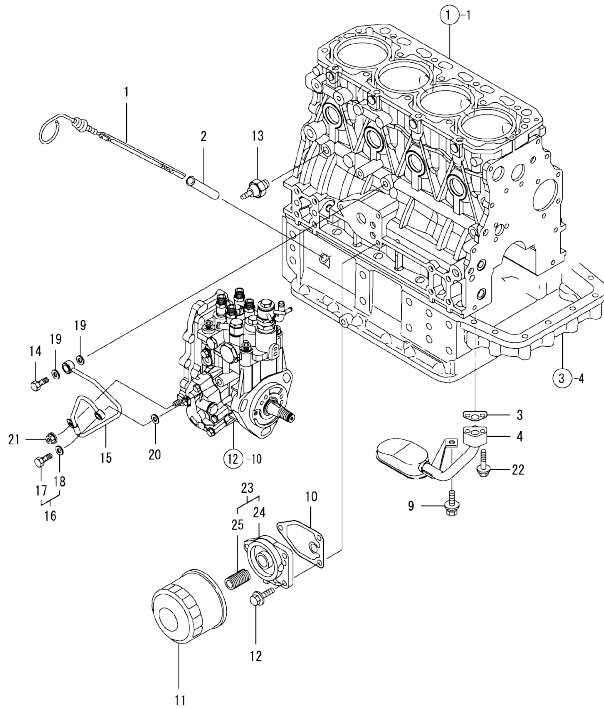


(A)=4TNV88-KLAN
(B)=
(C)=

(D)=
(E)=
(F)=

No.	Lev.	Parts No.	Description	Q'ty						I	R
				(A)	(B)	(C)	(D)	(E)	(F)		
1	1	129457-28000	BALANCER ASSY	1							
2	2	129457-28011	CASE ASSY, BALANCER	1							
4	3	129407-28240	BUSH, BALANCER	4							
5	2	729490-28510	SHAFT ASSY, BALANCER	1							
10	2	729490-28520	SHAFT ASSY, BALANCER	1							
15	2	129400-28150	GEAR, BALANCER	1							
16	2	121850-21290	PIN	1							
17	2	128170-14150	NUT	1							
18	2	23876-005000	PLUG, R005	1							
19	2	26106-080142	BOLT, M8X 14 PLATED	4							
20	1	129795-01960	PIPE, KNOCK	2							
21	1	24311-000140	O-RING, 1AP14.0	1							
22	1	26106-080602	BOLT, M8X 60 PLATED	4							
23	1	26106-080802	BOLT, M8X 80 PLATED	2							

Fig.10. LUB.OIL SYSTEM



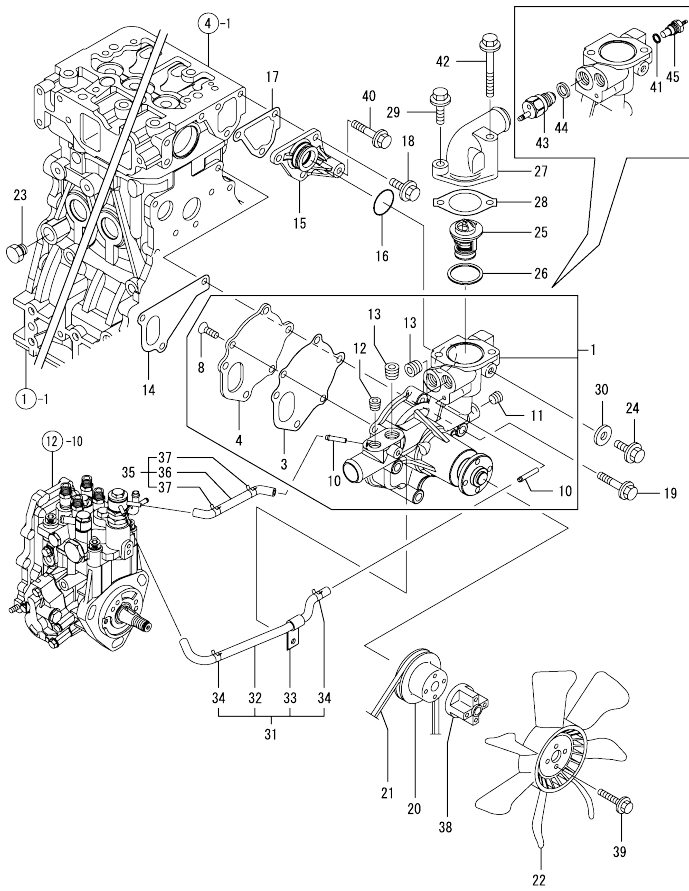
(A)=4TNV88-KLAN
(B)=
(C)=

(D)=
(E)=
(F)=

No.	Lev.	Parts No.	Description	Q'ty						I	R
				(A)	(B)	(C)	(D)	(E)	(F)		
1	1	129457-34800	DIPSTICK, OIL	1							
2	1	121520-34810	GUIDE, DIPSTICK	1							
3	1	129150-35041	GASKET	1							
4	1	129457-35090	PIPE ASSY, OIL INLET	1							
9	1	26014-080162	BOLT, M8X 16	1							
10	1	129150-35111	GASKET	1							
11	1	129150-35153	FILTER 80X80L	1							1
12	1	26106-080202	BOLT, M8X 20 PLATED	3							
13	1	114250-39450	SWITCH, 0.5KG	1							
14	1	124160-39140	BOLT, PIPE JOINT M10	1							
15	1	119802-39450	PIPE ASSY, OIL	1							
16	1	129005-59830	BOLT ASSY, JOINT M8	1							
17	2	23857-030000	BOLT, JOINT 3	1							
18	2	22190-080002	WASHER, SEAL 6	1							
19	1	22190-100002	WASHER, SEAL 10	2							
20	1	22190-080002	WASHER, SEAL 6	1							
21	1	26366-060002	NUT, M6	1							
22	1	26106-080352	BOLT, M8X 35 PLATED	2							
23	1	119802-35100	BRACKET ASSY, FILTER	1							
24	2	119802-35110	BRACKET, FILTER	1							
25	2	129100-35140	STUD	1							

Remarks
(1) REPAIR PART.

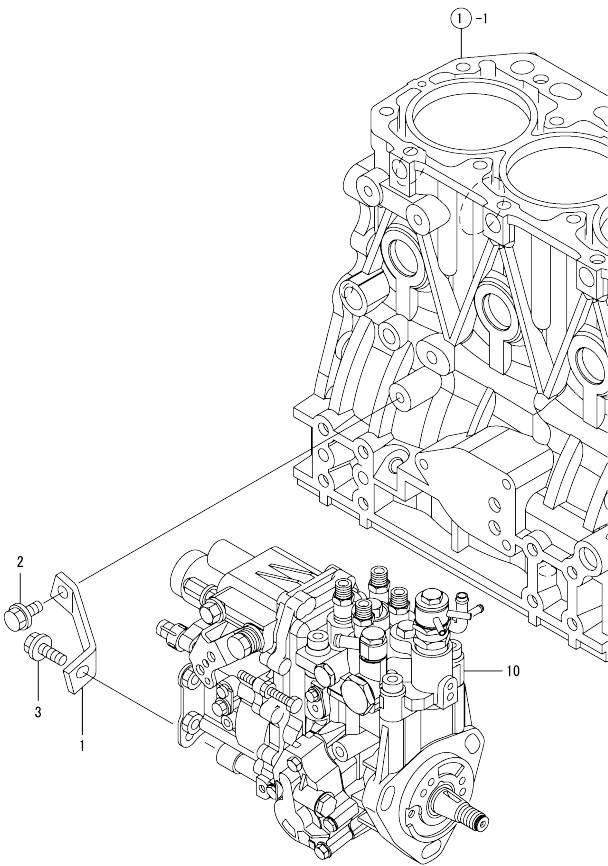
Fig.11. COOLING WATER SYSTEM



No.	Lev.	Parts No.	Description	Q'ty						I	R
				(A)	(B)	(C)	(D)	(E)	(F)		
1	1	129004-42001	PUMP ASSY, WATER	1							
3	2	129100-42051	GASKET, WATER PUMP	1							
4	2	129100-42121	PLATE	1							
8	2	121850-42410	SCREW	3							
10	2	119802-49113	JOINT, PIPE	2							
11	2	23876-010000	PLUG, R01	1							
12	2	23876-020000	PLUG, R02	1							
13	2	129916-49740	PLUG, R03	2							
14	1	129486-42021	GASKET, WATER PUMP	1							
15	1	129004-42040	JOINT	1							
16	1	129486-42140	O-RING, G30	1							
17	1	124395-49840	GASKET	1							
18	1	26106-080162	BOLT, M8X 16 PLATED	3							
19	1	26106-080602	BOLT, M8X 60 PLATED	3							
20	1	129155-42350	V-PULLEY	1							
21	1	25152-003600	V-BELT, A36	1							
22	1	121267-44741	FAN, COOLING D=360	1							
23	1	171056-49120	PLUG, DRAIN	1							
24	1	26106-080122	BOLT, M8X 12 PLATED	1							
25	1	129457-49801	THERMOSTAT, 82	1							
26	1	129150-49811	GASKET, THERMOSTAT	1							
27	1	124101-49531	COVER, THERMOSTAT	1							
28	1	129795-49551	GASKET	1							
29	1	26106-080252	BOLT, M8X 25 PLATED	1							
30	1	23414-080000	GASKET, 8X1.0	1							
31	1	129004-49610	PIPE ASSY, WATER	1							
32	2	129004-49711	PIPE ASSY, WATER	1							
33	2	119802-49730	RETAINER, PIPE	1							
34	2	124722-59050	CLIP, HOSE 9	2							
35	1	129004-49620	PIPE ASSY, WATER	1							
36	2	129004-49721	PIPE ASSY, WATER	1							
37	2	124722-59050	CLIP, HOSE 9	2							
38	1	171353-44760	SPACER, FAN	1							
39	1	26106-060352	BOLT, M6X 35 PLATED	4							
40	1	26106-080452	BOLT, M8X 45 PLATED	1							
41	1	129150-49360	GASKET	1							
42	1	26106-080652	BOLT, M8X 65 PLATED	1							
43	1	121250-44901	SWITCH, 110	1							
44	1	124465-44950	GASKET, 16	1							
45	1	124250-49351	SENSOR	1							

N:Old $\frac{New}{Old}$ New, Q:Old $\frac{New}{Old}$ New, R:Old $\frac{New}{Old}$ New, S:Old $\frac{New}{Old}$ New, W:Add, Z:Discontinued, F:Interchangeable by set, K:Q'ty Change
 Copyright (C) YANMAR GLOBAL CS CO., LTD. All Rights Reserved.

Fig.12. FUEL INJECTION PUMP



(A)=4TNV88-KLAN
(B)=
(C)=

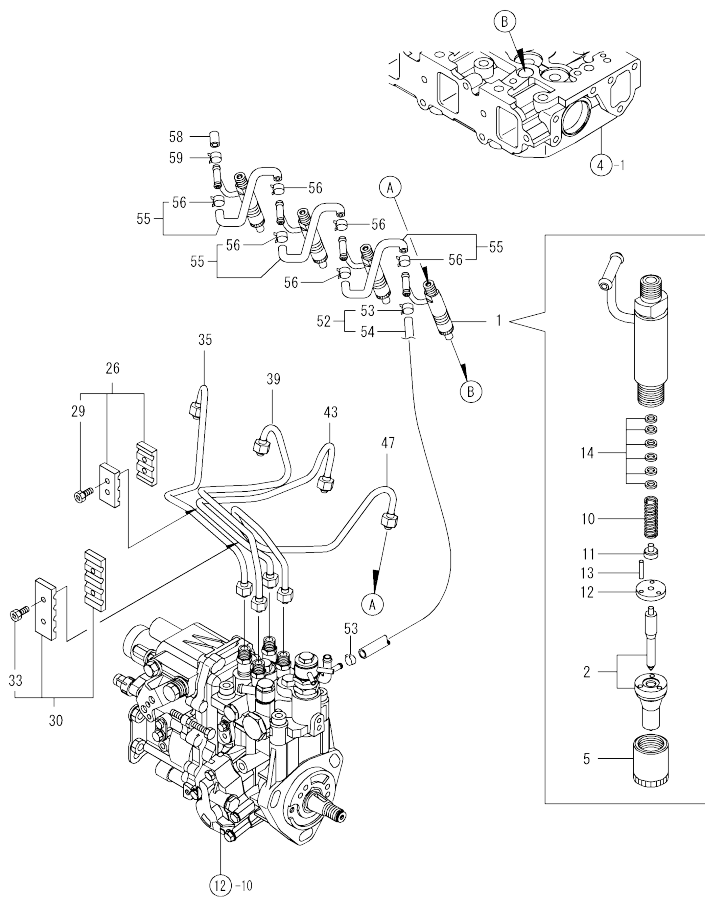
(D)=
(E)=
(F)=

No.	Lev.	Parts No.	Description	Q'ty						I	R
				(A)	(B)	(C)	(D)	(E)	(F)		
1	1	129601-51250	RETAINER, PUMP	1							
2	1	26106-080162	BOLT, M8X 16 PLATED	1							
3	1	26106-080202	BOLT, M8X 20 PLATED	1							
10	1	729659-51310	PUMP ASSY, INJECTION	1							

Fig.13. FUEL INJECTION VALVE

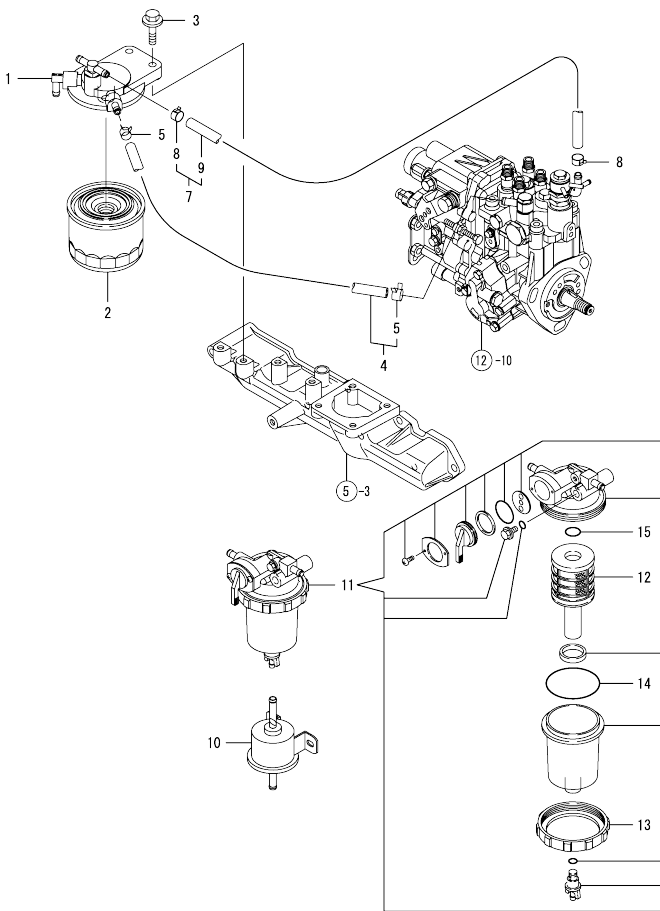
(A)=4TNV88-KLAN
(B)=
(C)=

(D)=
(E)=
(F)=



No.	Lev.	Parts No.	Description	Q'ty						I	R
				(A)	(B)	(C)	(D)	(E)	(F)		
1	1	729004-53101	VALVE ASSY,INJECTION	4							
2	2	129004-53001	VALVE ASSY,INJECTION	4							
5	2	114250-53080	NUT, NOZZLE D16.95	4							
10	2	114250-53120	SPRING, NOZZLE	4							
11	2	114250-53130	SEAT, SPRING	4							
12	2	114250-53140	PLATE	4							
13	2	114250-53210	PIN	8							
14	2	114250-53400	SHIM SET	4							
26	1	129150-59120	RETAINER, PIPE	1							
29	2	129150-59131	BOLT, M4X14	2							
30	1	129550-59120	RETAINER, PIPE	1							
33	2	129150-59131	BOLT, M4X14	2							
35	1	129601-59810	PIPE ASSY, INJECTION	1							
39	1	129601-59820	PIPE ASSY, INJECTION	1							
43	1	129601-59830	PIPE ASSY, INJECTION	1							
47	1	129601-59840	PIPE ASSY, INJECTION	1							
52	1	119802-59550	PIPE ASSY, RETURN	1							
53	2	124722-59050	CLIP, HOSE 9	2							
54	2	119802-59560	PIPE, FUEL RETURN	1							
55	1	129486-59551	PIPE ASSY, RETURN	3							
56	2	124722-59050	CLIP, HOSE 9	6							
58	1	119593-59580	CAP	1							
59	1	124060-77680	CLIP, HOSE 10	1							

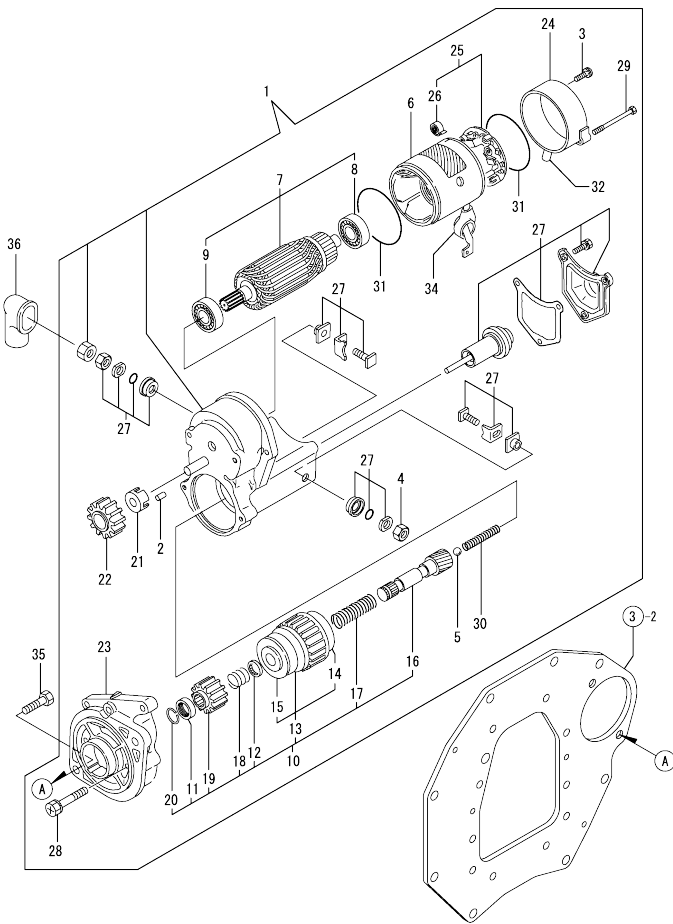
Fig.14. FUEL LINE



No.	Lev.	Parts No.	Description	Q'ty						I	R
				(A)	(B)	(C)	(D)	(E)	(F)		
1	1	129004-55610	BRACKET, FILTER	1							
2	1	119802-55800	FILTER, FUEL	1							
3	1	26106-080302	BOLT, M8X 30 PLATED	2							
4	1	129210-59090	PIPE ASSY, FUEL	1							
5	2	124766-59050	CLIP, HOSE 12	2							
7	1	129210-59150	PIPE ASSY, FUEL	1							
8	2	124766-59050	CLIP, HOSE 12	2							
9	2	105025-59530	PIPE, FUEL D13X400	1							
10	1	119225-52102	PUMP ASSY, FUEL FEED	1							
11	1	119802-55700	SEPARATOR ASSY	1							
12	2	119802-55710	ELEMENT	1							
13	2	129100-55690	RING, RETAINING	1							
14	2	24321-000650	O-RING, 1AG65.0	1							
15	2	24311-000160	O-RING, 1AP16.0	1							

N:Old $\frac{New}{Old}$ New, Q:Old $\frac{New}{Old}$ New, R:Old $\frac{New}{Old}$ New, S:Old $\frac{New}{Old}$ New, W:Add, Z:Discontinued, F:Interchangeable by set, K:Qty Change
 Copyright (C) YANMAR GLOBAL CS CO., LTD. All Rights Reserved.

Fig.15. STARTING MOTOR

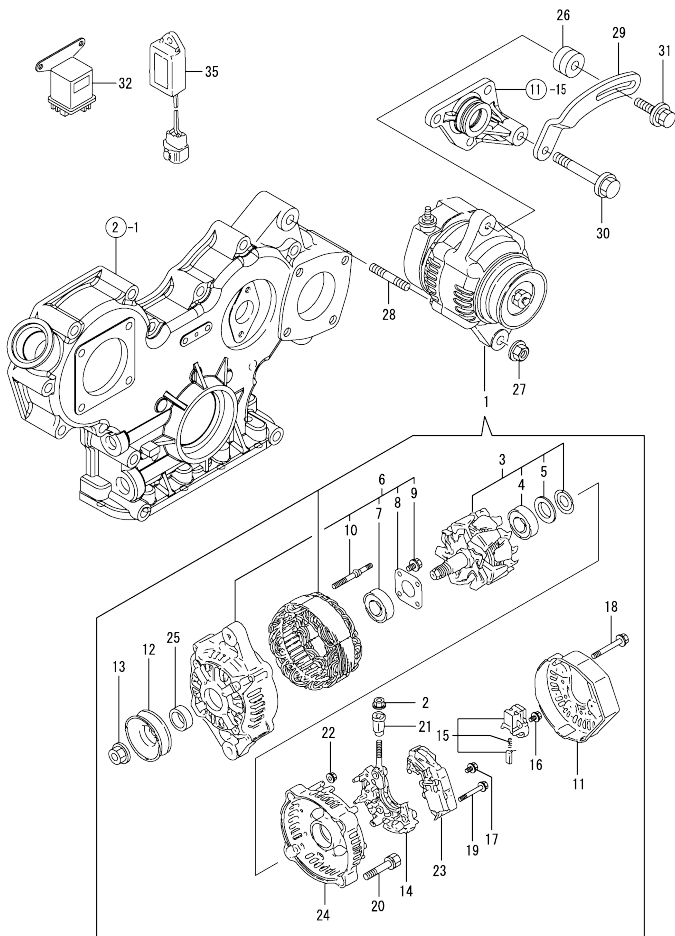


(A)=4TNV88-KLAN
(B)=
(C)=

(D)=
(E)=
(F)=

No.	Lev.	Parts No.	Description	Qty						I	R
				(A)	(B)	(C)	(D)	(E)	(F)		
1	1	129407-77010	STARTER, RA1.4	1							
2	2	X0283060061	ROLLER	5							
3	2	129129-77460	SCREW	2							
4	2	X9490561370	NUT	1							
5	2	X9491200240	BALL	1							
6	2	129407-77210	YOKE ASSY	1							
7	2	129407-77220	ARMATURE ASSY	1							
8	3	129129-77230	BEARING	1							
9	3	129129-77240	BEARING	1							
10	2	129407-77250	STARTER	1							
11	3	X0280210230	NUT	1							
12	3	X0283270140	RETAINER	1							
13	3	129407-77390	CLUTCH ASSY	1							
14	4	129129-77440	BEARING	1							
15	4	129129-77450	BEARING	1							
16	3	129129-77400	SHAFT	1							
17	3	129129-77410	SPRING, COIL	1							
18	3	129407-77410	SPRING	1							
19	3	129129-77420	PINION	1							
20	3	129129-77430	RING	1							
21	2	129129-77260	RETAINER	1							
22	2	129129-77270	PINION	1							
23	2	129407-77280	HOUSING	1							
24	2	129407-77290	FRAME	1							
25	2	129407-77300	HOLDER ASSY	1							
26	3	X9491730461	SPRING	4							
27	2	129407-77310	SWITCH ASSY	1							
28	2	129129-77320	BOLT	2							
29	2	129407-77330	BOLT	2							
30	2	129129-77340	SPRING	1							
31	2	129129-77350	O-RING	2							
32	2	129129-77362	COVER	1							
34	2	129129-77380	CAP	1							
35	1	26116-120252	BOLT, M12X 25 PLATED	1							
36	1	124550-77030	COVER, TERMINAL	1							

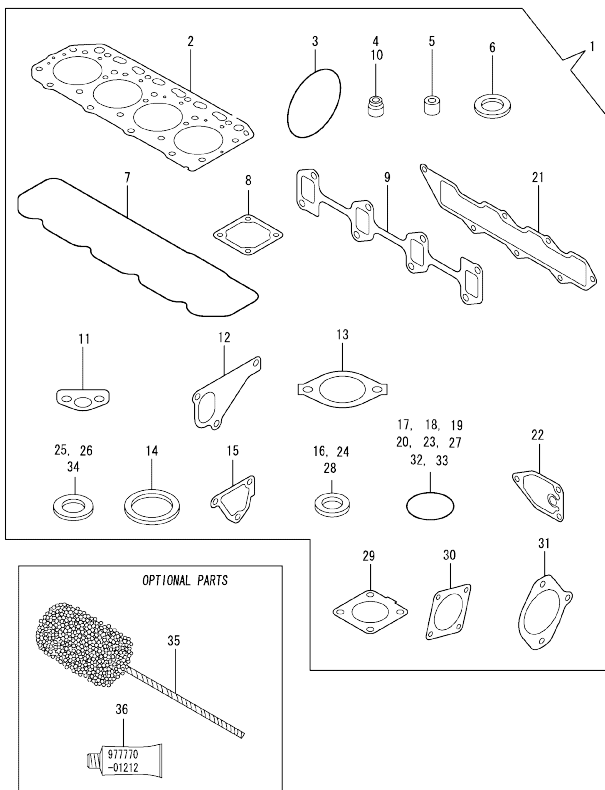
Fig.16. GENERATOR



No.	Lev.	Parts No.	Description	Q'ty						I	R
				(A)	(B)	(C)	(D)	(E)	(F)		
1	1	119626-77210	ALTERNATOR, 12V-55A	1							
2	2	X9490561001	NUT	1							
3	2	129052-77380	ROTOR ASSY	1							
4	3	125301-79240	BALL BEARING	1							
5	3	119620-79250	COVER, BEARING	1							
6	2	129052-77422	FRAME ASSY	1							
7	3	119620-79200	BALL BEARING	1							
8	3	119620-79210	PLATE	1							
9	3	119620-79220	SCREW	4							
10	3	119620-79230	BOLT, STUD	2							
11	2	128401-77440	FRAME	1							
12	2	119620-77461	PULLEY	1							
13	2	119620-77471	NUT	1							
14	2	129052-79260	HOLDER	1							
15	2	129052-79270	HOLDER, BRUSH	1							
16	2	119620-79290	SCREW	6							
17	2	119620-79300	SCREW	1							
18	2	119620-79310	BOLT	3							
19	2	119620-79320	SCREW WWASHER	2							
20	2	119620-79330	BOLT	2							
21	2	119620-79340	INSULATION BUSH	1							
22	2	119620-79350	NUT	2							
23	2	119626-77710	REGULATOR ASSY	1							
24	2	119626-77450	COVER, END, RR	1							
25	2	119620-77490	COLLAR	1							
26	1	129657-77340	SPACER	1							
27	1	26306-100002	NUT, M10	1							
28	1	129795-01900	STUD	1							
29	1	129051-77330	ADJUSTER	1							
30	1	26106-080502	BOLT, M8X 50 PLATED	1							
31	1	26014-080502	BOLT, M8X 50	1							
32	1	119650-77910	RELAY ASSY, GLOW	1							
35	1	129211-77920	TIMER	1							

N:Old $\frac{100}{100}$ New, Q:Old $\frac{100}{100}$ New, R:Old $\frac{100}{100}$ New, S:Old $\frac{100}{100}$ New, W:Add, Z:Discontinued, F:Interchangeable by set, K:Qty Change
 Copyright (C) YANMAR GLOBAL CS CO., LTD. All Rights Reserved.

Fig.17. GASKET SET



No.	Lev.	Parts No.	Description	Q'ty						I	R
				(A)	(B)	(C)	(D)	(E)	(F)		
1	1	729601-92770	GASKET SET	1							1
2	2	129407-01340	GASKET, HEAD	1							
3	2	121850-51960	O-RING	1							
4	2	124460-11340	SEAL, VALVE STEM	4							
5	2	119802-11870	PROTECTOR, NOZZLE	4							
6	2	119625-11880	SEAT, NOZZLE	4							
7	2	129601-11310	GASKET, BONNET	1							
8	2	129150-77511	GASKET	1							
9	2	129550-13110	GASKET	1							
10	2	121400-11340	SEAL, VALVE STEM	4							
11	2	129150-35041	GASKET	1							
12	2	129486-42021	GASKET, WATER PUMP	1							
13	2	129795-49551	GASKET	1							
14	2	129150-49811	GASKET, THERMOSTAT	1							
15	2	124395-49840	GASKET	1							
16	2	22190-080002	WASHER, SEAL 6	2							
17	2	24311-000120	O-RING, 1AP12.0	3							
18	2	24311-000320	O-RING, 1AP32.0	2							
19	2	24341-000240	O-RING, 1AS24.0	1							
20	2	129486-42140	O-RING, G30	1							
21	2	129407-12110	GASKET, MANIFOLD	1							
22	2	129150-35111	GASKET	1							
23	2	119609-32040	O-RING, P16	4							
24	2	22190-100002	WASHER, SEAL 10	2							
25	2	23414-080000	GASKET, 8X1.0	1							
26	2	129150-49360	GASKET	1							
27	2	24311-000180	O-RING, 1AP18.0	2							
28	2	22190-160002	WASHER, SEAL 16	1							
29	2	129930-13200	GASKET, SILENCER	1							
30	2	124240-01883	GASKET	1							
31	2	171353-26081	GASKET	1							
32	2	24321-000850	O-RING, 1AG85.0	1							
33	2	24311-000140	O-RING, 1AP14.0	1							
34	2	124465-44950	GASKET, 16	1							
35	1	129400-92420	FLEX HORN	1							1
36	1	977770-01212	GASKET, LIQUID	1							1

Remarks
(1) OPTIONAL PART.

Parts No. Index

Parts No.	Fig. No.	Ref. No.
105025-59530	14	9
105425-01690	3	7
114250-39450	10	13
114250-53080	13	5
114250-53120	13	10
114250-53130	13	11
114250-53140	13	12
114250-53210	13	13
114250-53400	13	14
119131-18320	6	5
119225-52102	14	10
119309-01810	1	30
119593-59580	13	58
119609-32040	2	17
	17	23
119620-77461	16	12
119620-77471	16	13
119620-77490	16	25
119620-79200	16	7
119620-79210	16	8
119620-79220	16	9
119620-79230	16	10
119620-79250	16	5
119620-79290	16	16
119620-79300	16	17
119620-79310	16	18
119620-79320	16	19
119620-79330	16	20
119620-79340	16	21
119620-79350	16	22
119625-11880	4	20
	17	6
119626-77210	16	1
119626-77450	16	24
119626-77710	16	23
119650-77910	16	32
119802-01560	2	13
119802-03110	4	41
119802-03120	4	42
119802-03121	4	42 -1
119802-03130	4	43
119802-03140	4	44
	44	-1
119802-11260	4	26
119802-11270	4	27
119802-11870	4	19
	17	5
119802-21201	8	5
119802-25051	7	9
119802-25070	7	13

Parts No.	Fig. No.	Ref. No.
119802-25100	7	10
119802-25901	7	15
119802-32070	2	8
119802-32100	2	7
119802-32111	2	18
119802-32120	2	19
119802-32130	2	20
119802-35100	10	23
119802-35110	10	24
119802-39450	10	15
119802-49113	11	10
119802-49730	11	33
119802-55700	14	11
119802-55710	14	12
119802-55800	14	2
119802-59550	13	52
119802-59560	13	54
119865-21600	8	18
120130-11860	4	5
120270-54410	4	23
121023-01550	2	28
121023-26070	7	19
121111-21501	8	14
121250-44901	11	43
121267-44741	11	22
121400-11340	4	16
	17	10
121520-34810	10	2
121550-23200	8	32
121850-21290	8	6
	9	16
121850-21680	8	13
121850-42410	11	8
121850-51960	2	21
	17	3
123900-13610	6	3
123900-13630	6	4
124060-01050	1	10
124060-77680	13	59
124101-49531	11	27
124160-01751	2	14
	4	50
124160-01910	1	5
124160-11360	4	52
124160-39140	10	14
124240-01871	2	15
	7	17
124240-01883	7	18
	17	30
124250-49351	11	45

Parts No.	Fig. No.	Ref. No.
124395-49840	11	17
	17	15
124460-11340	4	17
	17	4
124465-44950	11	44
	17	34
124550-77030	15	36
124722-59050	11	34
	37	
	13	53
	56	
124766-59050	14	5
	8	
125301-79240	16	4
128170-14150	9	17
128401-77440	16	11
129001-01250	1	11
129001-02930	1	24
129001-32330	2	11
129001-91841	2	22
129001-91870	3	10
129001-91910	3	11
129004-01190	1	33
129004-03010	4	39
129004-11650	4	31
129004-11900	4	21
129004-42001	11	1
129004-42040	11	15
129004-49610	11	31
129004-49620	11	35
129004-49711	11	32
129004-49721	11	36
129004-53001	13	2
129004-55610	14	1
129005-01520	2	12
129005-03080	5	1
129005-11100	4	10
129005-22080	8	19
129005-22500	8	21
129005-22900	8	35
129005-22950	8	37
129005-59830	10	16
129051-01600	3	2
129051-01721	3	5
129051-26200	7	21
129051-26210	7	23
129051-77330	16	29
129052-77380	16	3
129052-77422	16	6
129052-79260	16	14

Parts No.	Fig. No.	Ref. No.
129052-79270	16	15
129100-01580	3	1
	8	2
129100-01640	3	17
129100-11110	4	11
129100-23910	8	31
129100-35140	10	25
129100-42051	11	3
129100-42121	11	4
129100-55690	14	13
129120-77501	5	8
129129-77230	15	8
129129-77240	15	9
129129-77260	15	21
129129-77270	15	22
129129-77320	15	28
129129-77340	15	30
129129-77350	15	31
129129-77362	15	32
129129-77380	15	34
129129-77400	15	16
129129-77410	15	17
129129-77420	15	19
129129-77430	15	20
129129-77440	15	14
129129-77450	15	15
129129-77460	15	3
129150-01200	1	31
129150-02020	1	7
129150-02450	7	4
129150-02870	1	34
129150-02930	1	27
129150-02940	1	37
129150-03070	4	40
129150-11230	4	32
129150-11280	4	28
129150-11370	4	18
129150-11750	4	34
129150-11810	4	7
129150-14101	7	7
129150-14200	7	1
129150-14400	7	2
129150-23600	8	33
129150-23610	8	41
129150-25301	7	16
129150-35041	10	3
	17	11
129150-35111	10	10
	17	22

Parts No. Index

Parts No.	Fig. No.	Ref. No.
129150-35153	10	11
129150-49360	11	41
	17	26
129150-49811	11	26
	17	14
129150-59120	13	26
129150-59131	13	29
		33
129150-77511	5	9
	17	8
129155-42350	11	20
129202-22300	8	25
129210-59090	14	4
129210-59150	14	7
129211-77920	16	35
129236-03120	4	42 -2
129236-11360	4	38 -1
129400-28121	8	7
129400-28150	9	15
129400-92420	17	35
129407-01340	1	32
	17	2
129407-12110	5	5
	17	21
129407-28240	9	4
129407-77010	15	1
129407-77210	15	6
129407-77220	15	7
129407-77250	15	10
129407-77280	15	23
129407-77290	15	24
129407-77300	15	25
129407-77310	15	27
129407-77330	15	29
129407-77390	15	13
129407-77410	15	18
129410-03990	5	2
129411-13100	6	1
129418-32320	2	10
129457-01700	3	4
129457-01780	3	6
129457-21560	8	15
129457-21650	8	11
129457-28000	9	1
129457-28011	9	2
129457-34800	10	1
129457-35090	10	4
129457-49801	11	25
129486-01670	3	20
129486-42021	11	14

Parts No.	Fig. No.	Ref. No.
129486-42021	17	12
129486-42140	11	16
	17	20
129486-59551	13	55
129550-13110	6	2
	17	9
129550-59120	13	30
129601-11241	4	25
129601-11251	4	29
129601-11310	4	47
	17	7
129601-11350	4	38
129601-51250	12	1
129601-59810	13	35
129601-59820	13	39
129601-59830	13	43
129601-59840	13	47
129602-11700	4	1
129602-12100	5	3
129657-21001	8	1
129657-77340	16	26
129795-01780	3	19
129795-01800	2	6
129795-01900	16	28
129795-01950	2	16
129795-01960	9	20
129795-02411	1	14
129795-11120	4	12
129795-11180	4	13
129795-21661	8	12
129795-49551	11	28
	17	13
129900-07900	4	54
129900-32130	2	9
129916-49740	11	13
129930-13200	6	7
	17	29
158552-51151	7	33
171051-01921	1	6
171056-49120	11	23
171353-26081	7	20
	17	31
171353-44760	11	38
22190-080002	10	18
	11	20
	17	16
22190-100002	10	19
	17	24
22190-160002	3	9
	17	28

Parts No.	Fig. No.	Ref. No.
22217-140000	7	34
22252-000260	8	26
22351-060012	4	22
22512-070140	7	8
	8	8
		10
22857-500100	4	48
		49
23414-080000	11	30
	17	25
23857-030000	10	17
23876-005000	9	18
23876-010000	11	11
23876-020000	11	12
23876-030000	2	4
23876-040000	2	5
24105-060064	7	27
24311-000120	4	53
	17	17
24311-000140	9	21
	17	33
24311-000160	14	15
24311-000180	3	12
	17	27
24311-000320	2	23
	4	51
	17	18
24321-000650	14	14
24321-000850	7	28
	17	32
24341-000240	2	29
	17	19
25152-003600	11	21
26014-080162	10	9
26014-080502	16	31
26106-060162	2	30
26106-060352	11	39
26106-080122	11	24
26106-080142	4	55
	7	32
	9	19
26106-080162	2	24
		25
	7	29
	11	18
	12	2
26106-080202	5	6
	10	12
	12	3
26106-080252	3	13

Parts No.	Fig. No.	Ref. No.
26106-080252	4	36
	11	29
26106-080302	14	3
26106-080352	4	24
	5	10
	10	22
26106-080402	3	14
	7	14
26106-080452	11	40
26106-080502	3	15
	4	37
	16	30
26106-080552	2	26
26106-080602	9	22
	11	19
26106-080652	11	42
26106-080802	5	7
	9	23
26106-100452	7	30
26116-120252	15	35
26206-100202	3	3
26226-080182	4	35
26306-080002	2	27
	6	6
26306-100002	16	27
26366-060002	10	21
26450-080282	7	31
26776-140002	7	35
27241-120000	1	12
27241-300000	1	13
27241-400000	4	9
27310-080001	4	14
729004-53101	13	1
729005-01500	2	1
729402-14580	7	3
729402-23100	8	27
729490-28510	9	5
729490-28520	9	10
729601-92770	17	1
729659-01570	1	1
729659-51310	12	10
977770-01212	2	31
	3	21
	4	56
	17	36
X0280210230	15	11
X0283060061	15	2
X0283270140	15	12
X9490561001	16	2
X9490561370	15	4

Parts No. Index

Parts No.	Fig. No.	Ref. No.
X9491200240	15	5
X9491730461	15	26

Parts No.	Fig. No.	Ref. No.
-----------	----------	----------

Parts No.	Fig. No.	Ref. No.
-----------	----------	----------

Parts No.	Fig. No.	Ref. No.
-----------	----------	----------