

0CV10-M87700EN

# P R E F A C E

1. This Parts Catalog carries all parts incorporated in YANMAR Model 3TNV88—KIR engine manufactured since March, 2003.
2. Each illustration corresponds to the parts list on the following page.
3. When ordering parts, clearly write down the engine model and serial number, as well as the name and number of each part in your order sheet. This will help insure reliable delivery of the parts you have ordered.

## Directions for the Parts Catalog.

1. This Parts Catalog shows both standard and optional parts.
2. Parts may change without prior notice.
3. The following is an example of the Parts Catalog format.

REF.	LEV.	PARTS NO.	DESCRIPTION	Q'TY						I	R
				(A)	(B)	(C)	(D)	(E)	(F)		
1	1	729595-51390	FUEL INJECTION PUMP	1	1	1	1	1			1
1-1	1	729595-51391	FUEL INJECTION PUMP	1	1	1	1	1		N	1
		(A=E00185) (B=E00200)									
3	2	26022-060162	SCREW M 6X 16	9	9	9	9	9			
3-1	2	26022-060162	SCREW M 6X 16	4	4	4	4	4		K	
		(A=E00156) (B=E00156) (C=E00156) (D=E00156) (E=E00156)									
4	2	129470-51040	CAMSHAFT	1	1	1	1	1			
5	2	122710-51050	BEARING, ROLLER	2	2	2	2	2			
6	2	129470-51060	RETAINER	1	1	1	1	1			

Remarks
(1) BOOST COMPEMSATOR TYPE. OPTIONAL PART, TO E00155,(4JH-DT, 4JH-DTZ

### ① Ref. No.

The Ref. No. listed may not be in accordance with the illustration Ref. No.

(Ex.) Illustration No.

List Ref No.

1 1 (Before change) → 1-1 (After change)

For interchangeable symbols N, R and K, illustrations for new parts may be abbreviated.

### ② Lev. (Level)

Level indication

The numbers below indicate the level of relativity towards the main part.

1 ---- Main parts (Assembly parts)

2 ---- Sub component included in " 1 ".

3 ---- Sub component included in " 2 ".

Note) Parts that are not for sale are partially illustrated but not listed.

### ③ Interchangeability Symbol

When a part change takes place, one of the following interchangeability symbols is indicated beside the part.

Symbol	Interchangeability	Contents note
N	Old $\begin{matrix} \leftarrow \text{Yes} \\ \text{No} \rightarrow \end{matrix}$ New	New Part is interchangeable for Old Part but Old Part is not interchangeable for New Part.
Q	Old $\begin{matrix} \leftarrow \text{No} \\ \text{Yes} \rightarrow \end{matrix}$ New	New Part is not interchangeable for Old Part but Old Part is interchangeable for New Part.
R	Old $\begin{matrix} \leftarrow \text{Yes} \\ \text{Yes} \rightarrow \end{matrix}$ New	New/ Old Parts are both interchangeable.
S	Old $\begin{matrix} \leftarrow \text{No} \\ \text{No} \rightarrow \end{matrix}$ New	New/ Old Parts are both not interchangeable.
W		Part newly added.
Z		Part discontinued.
F		Not interchangeable by a single part but interchangeable together with related parts.
K		Changes only for used parts quantities.

### ④ Effective Machine No.

When a part changes, the effective Machine No. will be indicated in the (A)-(F) column.

Product Symbol	Product No.	Product Symbol	Product No.
C	Clutch No. Compressor No.	F	Machine No. (Agricultural Equip.)
D	Drive No.	M	Machine No.
E	Engine No.		

Note 1) A date may follow the symbol. (Ex.) 1996.01

Note 2) "XXXXX" and "ZZZZZ" are for parts that could not be predicted or for engine models that could not be identified.

Note 3) (A=E00185) is the E (Engine Serial Number) for the column (A) model (in this case 4JH-DT) after the parts design change.

### ⑤ Remarks

Figures or alphabets (symbols) are entered in the remarks column.

The comments (remarks) on parts that are indicated at the bottom of the illustration are the same symbols as those stated above.

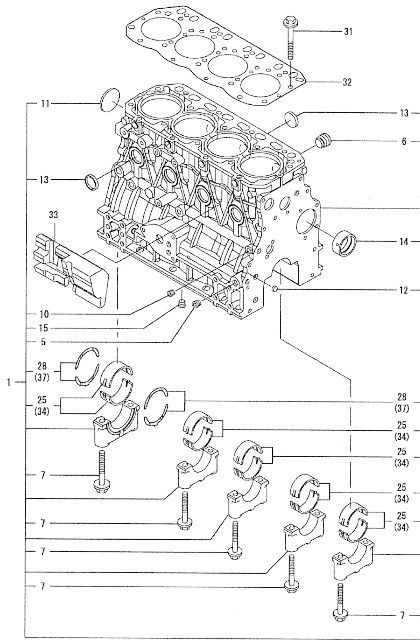
## Contents

0CV10-M87700

Fig. No.	Fig. Name	Fig. No.	Fig. Name
ENGINE SECTION			
1.	CYLINDER BLOCK		
2.	GEAR HOUSING		
3.	FLYWHEEL HOUSING & OIL SUMP		
4.	CYLINDER HEAD & BONNET		
5.	SUCTION MANIFOLD		
6.	EXHAUST MANIFOLD		
7.	CAMSHAFT & DRIVING GEAR		
8.	CRANKSHAFT & PISTON		
9.	LUB.OIL SYSTEM		
10.	COOLING WATER SYSTEM		
11.	FUEL INJECTION PUMP		
12.	FUEL INJECTION VALVE		
13.	FUEL LINE		
14.	STARTING MOTOR		
15.	GENERATOR		
16.	GASKET SET		

OCV10-M87700 ENGINE SECTION  
 Fig.1. CYLINDER BLOCK

Y00V8770



Remarks  
 (1) UNDER-SIZE(U.S=0.25)PART.  
 (2) OVER-SIZE(O.S=0.25)PART.  
 (3) REPAIR PART.

Remarks  
 (1) UNDER-SIZE(U.S=0.25)PART.  
 (2) OVER-SIZE(O.S=0.25)PART.  
 (3) REPAIR PART.

OCV10-M87700 Fig.1

(A)=4TNV88-K1R  
 (B)=  
 (C)=

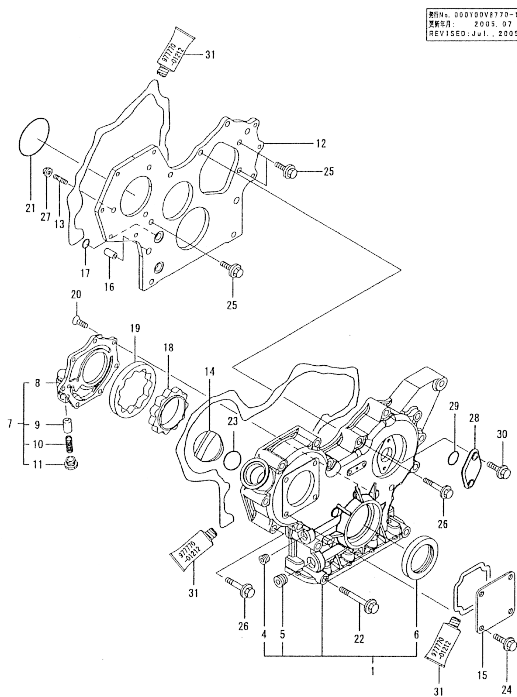
(D)=  
 (E)=  
 (F)=

No.	Lev.	Parts No.	Description	Q'ty						I	R
				(A)	(B)	(C)	(D)	(E)	(F)		
1	1	729602-01560	BLOCK ASSY, CYLINDER	1							
5	2	124160-01910	PLUG, PT1/4	2							
6	2	171051-01921	PLUG, NPTF1	1							
7	2	129150-02020	BOLT, METAL CAP	10							
10	2	124060-01050	PLUG, PT1/8	1							
11	2	129001-01250	PLUG, 50	1							
12	2	27241-120000	PLUG, 12	2							
13	2	27241-300000	PLUG 30	8							
14	2	129795-02411	BUSH, CAMSHAFT	1							
15	2	124160-01910	PLUG, PT1/4	1							
25	2	129001-02930	BEARING, MAIN	5							3
28	2	129150-02930	BEARING, THRUST	2							
31	1	129150-01200	BOLT, HEAD	18							
32	1	129407-01340	GASKET, HEAD	1							
33	1	129004-01190	SPACER	1							
34	1	129150-02870	BEARING, 0.25 US	5							1
37	1	129150-02940	BEARING, THRUST 0.25	1							2

OCV10-M87700 ENGINE SECTION  
Fig.2. GEAR HOUSING

OCV10-M87700 Fig.2

Y00V8770



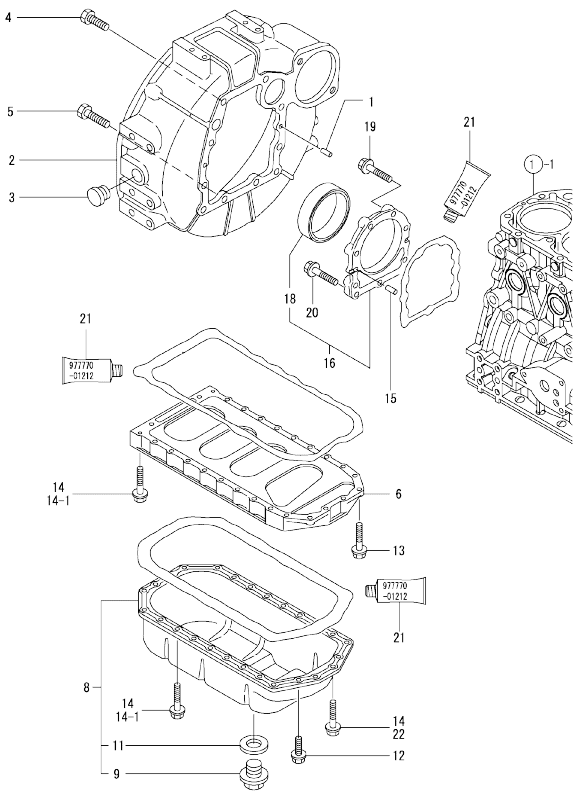
Remarks  
(1) OPTIONAL PART.

Remarks  
(1) OPTIONAL PART.

No.	Lev.	Parts No.	Description	Q'ty						I	R
				(A)	(B)	(C)	(D)	(E)	(F)		
1	1	719802-01500	CASE ASSY, GEAR	1							
1-1	1	729233-01500	CASE ASSY, GEAR	1							N
(A=ER02123)											
4	2	23876-030000	PLUG, R03	1							
5	2	23876-040000	PLUG, R04	1							
6	2	129795-01800	SEAL, OIL	1							
6-1	2	119934-01800	SEAL, OIL	1							N
(A=ER02123)											
7	1	119802-32100	COVER ASSY	1							
8	2	119802-32070	COVER	1							
9	2	129900-32130	VALVE, RELIEF	1							
10	2	129418-32320	SPRING	1							
11	2	129001-32330	PLUG	1							
12	1	119802-01520	FLANGE, GEAR CASE	1							
13	1	119802-01560	STUD, M8X25	3							
14	1	124160-01751	COVER, FILLER	1							
15	1	124240-01871	COVER	1							
16	1	129795-01950	PIPE, KNOCK L=18	2							
17	1	119609-32040	O-RING, P16	4							
18	1	119802-32110	ROTOR, INNER	1							
19	1	119802-32120	ROTOR, OUTER	1							
20	1	119802-32130	SCREW, M6X16	7							
21	1	121850-51960	O-RING	1							
22	1	129001-91841	BOLT, M8X85	3							
23	1	24311-000320	O-RING, 1AP32.0	1							
24	1	26106-080162	BOLT, M8X 16 PLATED	4							
25	1	26106-080162	BOLT, M8X 16 PLATED	3							
26	1	26106-080552	BOLT, M8X 55 PLATED	12							
27	1	26306-080002	NUT, M8	3							
28	1	121023-01550	COVER	1							
29	1	24341-000240	O-RING, 1AS24.0	1							
30	1	26106-060162	BOLT, M6X 16 PLATED	2							
31	1	977770-01212	GASKET, LIQUID	1							1

N:Old  $\frac{100}{100}$  New, Q:Old  $\frac{100}{100}$  New, R:Old  $\frac{100}{100}$  New, S:Old  $\frac{100}{100}$  New, W:Add, Z:Discontinued, F:Interchangeable by set, K:Q'ty Change  
Copyright (C) YANMAR CO., LTD. All Rights Reserved.

Fig.3. FLYWHEEL HOUSING & OIL SUMP



(A)=4TNV88-KJR  
(B)=  
(C)=

(D)=  
(E)=  
(F)=

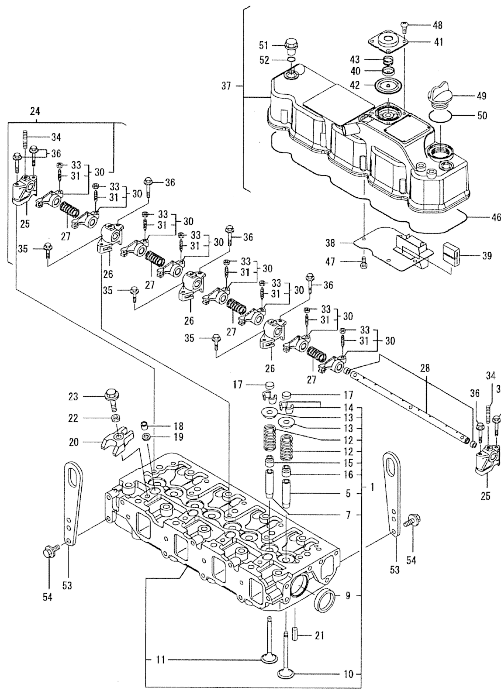
No.	Lev.	Parts No.	Description	Q'ty						I	R
				(A)	(B)	(C)	(D)	(E)	(F)		
1	1	129100-01580	PIN, M8X16	2							
2	1	171420-01600	HOUSING, FLYWHEEL	1							
3	1	119620-01750	CAP	1							
4	1	26206-100252	BOLT, M10X 25 PLATED	6							
5	1	26206-100302	BOLT, M10X 30 PLATED	4							
6	1	129400-01730	SPACER, OIL SUMP	1							
8	1	129436-01780	SUMP ASSY, OIL	1							
9	2	119640-01640	PLUG, DRAIN M22	1							
11	2	22190-220002	WASHER, SEAL 22	1							
12	1	26106-080162	BOLT, M8X 16 PLATED	4							
13	1	26106-080252	BOLT, M8X 25 PLATED	2							
14	1	26106-080452	BOLT, M8X 45 PLATED	24							
14-1	1	26106-080452	BOLT, M8X 45 PLATED	20							K
(A=FROM 1ST)											
15	1	129100-01580	PIN, M8X16	2							
16	1	129100-01640	CASE ASSY, OIL SEAL	1							
18	2	129795-01780	SEAL, OIL	1							
19	1	129486-01670	BOLT, M8X30	6							
20	1	26106-080352	BOLT, M8X 35 PLATED	3							
21	1	977770-01212	GASKET, LIQUID	1							1
22	1	26106-080502	BOLT, M8X 50 PLATED	4							W
(A=FROM 1ST)											

Remarks  
(1) OPTIONAL PART.

N:Old  $\frac{100}{100}$  New, Q:Old  $\frac{100}{100}$  New, R:Old  $\frac{100}{100}$  New, S:Old  $\frac{100}{100}$  New, W:Add, Z:Discontinued, F:Interchangeable by set, K:Q'ty Change  
Copyright (C) YANMAR CO., LTD. All Rights Reserved.

Fig.4. CYLINDER HEAD & BONNET

Y00V8770



Remarks  
(1) REPAIR PART.

(A)=4TNV88-K1R  
(B)=  
(C)=

(D)=  
(E)=  
(F)=

No.	Lev.	Parts No.	Description	Q'ty						I	R
				(A)	(B)	(C)	(D)	(E)	(F)		
1	1	129601-11700	HEAD ASSY, CYLINDER	1							
5	2	120130-11860	GUIDE, VALVE	4							1
7	2	129150-11810	GUIDE, VALVE	4							1
9	2	27241-400000	PLUG, 40	2							
10	2	129004-11100	VALVE, INTAKE	4							
11	2	129100-11110	VALVE, EXHAUST	4							
12	2	129795-11120	SPRING, VALVE	8							
13	2	129795-11180	RETAINER, SPRING	8							
14	2	27310-080001	COTTER, 8	8							
15	2	121400-11340	SEAL, VALVE STEM	4							
16	2	124460-11340	SEAL, VALVE STEM	4							
17	1	129150-11370	CAP, VALVE	8							
18	1	119802-11870	PROTECTOR, NOZZLE	4							
19	1	119625-11880	SEAT, NOZZLE	4							
20	1	129004-11900	RETAINER, NOZZLE	4							
21	1	22351-060012	PIN, SPRING 6.0X12	2							
22	1	120270-54410	WASHER, INJECTOR	4							
23	1	26106-080352	BOLT, M8X 35 PLATED	4							
24	1	129601-11241	SHAFT ASSY, ROCKER	1							
25	2	119802-11260	SUPPORT, ROCKER ARM	2							
26	2	119802-11270	SUPPORT, ROCKER ARM	3							
27	2	129150-11280	SPRING	4							
28	2	129601-11251	SHAFT, ROCKER ARM	1							
30	2	129004-11650	ARM, ROCKER	8							
31	3	129150-11230	SCREW, VALVE ADJUST	8							
33	3	129150-11750	NUT, M8	8							
34	2	26226-080182	STUD, M8X 18	3							
35	1	26106-080252	BOLT, M8X 25 PLATED	3							
36	1	26106-080502	BOLT, M8X 50 PLATED	7							
37	1	129601-11350	BONNET ASSY, HEAD	1							
38	2	129004-03010	PLATE	1							
39	2	129150-03070	BAFFLE, BREATHER	1							
40	2	119802-03110	PLATE	1							
41	2	119802-03120	COVER, DIAPHRAGM	1							
42	2	119802-03130	DIAPHRAGM	1							
43	2	119802-03140	SPRING, DIAPHRAGM	1							
46	2	129601-11310	GASKET, BONNET	1							
47	2	22857-500100	SCREW, 5X10	4							
48	2	22857-500100	SCREW, 5X10	4							
49	1	124160-01751	COVER, FILLER	1							
50	1	24311-000320	O-RING, 1AP32.0	1							
51	1	124160-11360	KNOB	3							
52	1	24311-000120	O-RING, 1AP12.0	3							
53	1	129900-07900	LIFTER	2							
54	1	26106-080142	BOLT, M8X 14 PLATED	4							

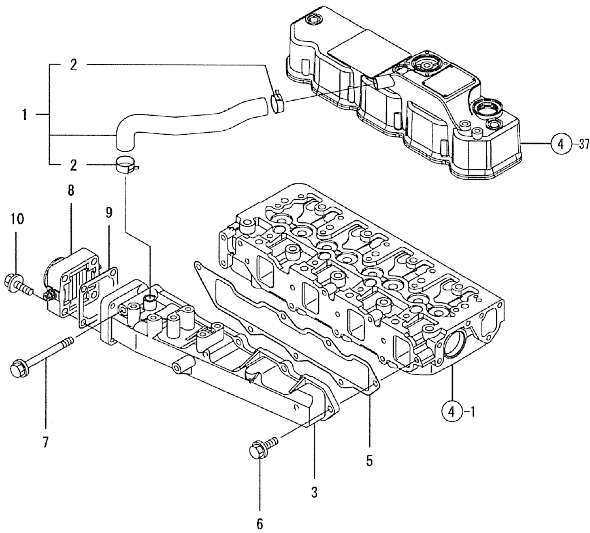
Remarks  
(1) REPAIR PART.

N:Old  $\frac{100}{100}$  New, Q:Old  $\frac{100}{100}$  New, R:Old  $\frac{100}{100}$  New, S:Old  $\frac{100}{100}$  New, W:Add, Z:Discontinued, F:Interchangeable by set, K:Qty Change  
Copyright (C) YANMAR CO., LTD. All Rights Reserved.



Fig.5. SUCTION MANIFOLD

Y00V8770



(A)=4TNV88-KJR  
(B)=  
(C)=

(D)=  
(E)=  
(F)=

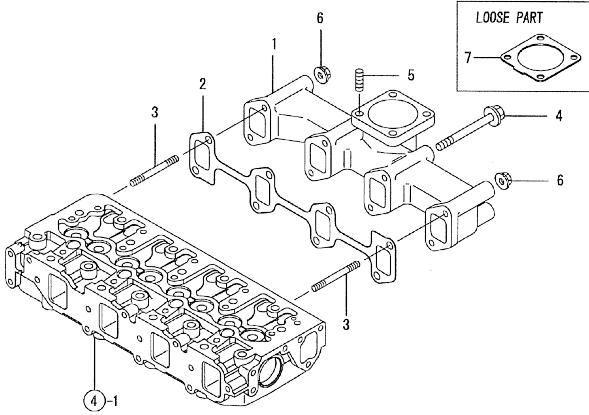
No.	Lev.	Parts No.	Description	Q'ty						I	R
				(A)	(B)	(C)	(D)	(E)	(F)		
1	1	129601-03080	PIPE , BREATHER	1							
2	2	129410-03990	CLIP	2							
3	1	129601-12100	MANIFOLD, AIR INTAKE	1							
5	1	129407-12110	GASKET, MANIFOLD	1							
6	1	26106-080202	BOLT, M8X 20 PLATED	6							
7	1	26106-080802	BOLT, M8X 80 PLATED	1							
8	1	129120-77501	HEATER	1							
9	1	129150-77511	GASKET	1							
10	1	26106-080352	BOLT, M8X 35 PLATED	4							

Fig.6. EXHAUST MANIFOLD

(A)=4TNV88-K1R  
(B)=  
(C)=

(D)=  
(E)=  
(F)=

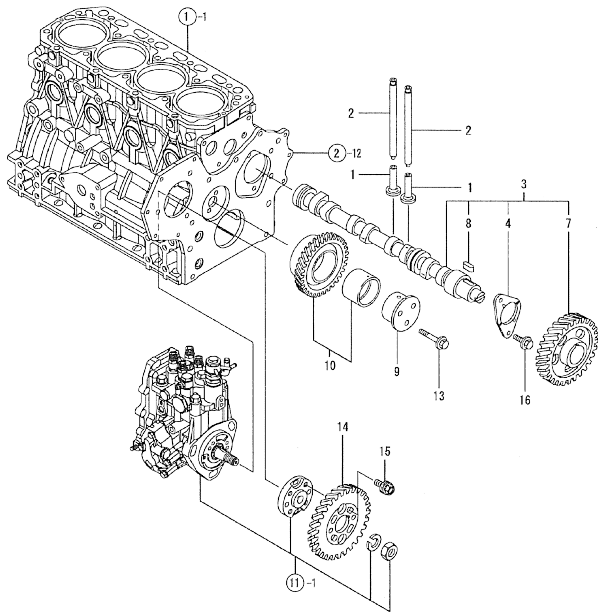
Y010/8770



No.	Lev.	Parts No.	Description	Q'ty						I	R
				(A)	(B)	(C)	(D)	(E)	(F)		
1	1	129411-13100	MANIFOLD, EXHAUST	1							
2	1	129550-13110	GASKET	1							
3	1	123900-13610	STUD, M8X80	2							
4	1	123900-13630	BOLT, M8X80	6							
5	1	119131-18320	STUD, M8X22	4							
6	1	26306-080002	NUT, M8	2							
7	1	129930-13200	GASKET, SILENCER	1							

Fig.7. CAMSHAFT & DRIVING GEAR

Y00V6770



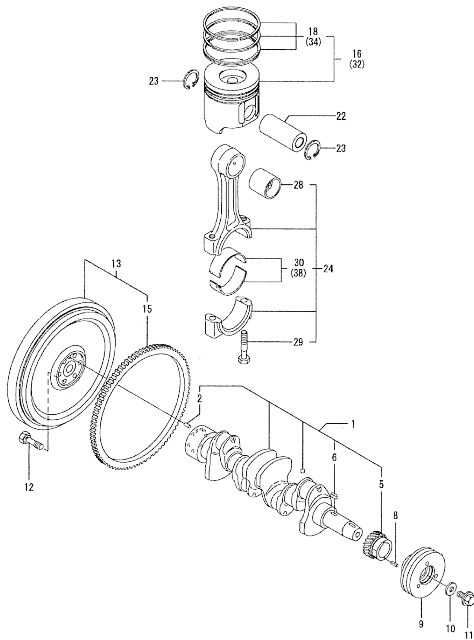
(A)=4TNV88-KJR  
(B)=  
(C)=

(D)=  
(E)=  
(F)=

No.	Lev.	Parts No.	Description	Q'ty						I	R
				(A)	(B)	(C)	(D)	(E)	(F)		
1	1	129150-14200	TAPPET	8							
2	1	129150-14400	ROD, PUSH L=178	8							
3	1	729402-14580	CAMSHAFT ASSY	1							
4	2	129150-02450	BEARING, THRUST	1							
7	2	129150-14101	GEAR, CAMSHAFT	1							
8	2	22512-070140	KEY, 7X 14	1							
9	1	119802-25051	SHAFT, IDLE	1							
10	1	119802-25100	GEAR ASSY, IDLE	1							
13	1	26106-080402	BOLT, M8X 40 PLATED	3							
14	1	119802-25901	GEAR, PUMP	1							
15	1	129150-25301	BOLT	4							
16	1	26106-080142	BOLT, M8X 14 PLATED	2							

Fig.8. CRANKSHAFT & PISTON

Y00V8770



Remarks  
 (1) REPAIR PART.  
 (2) OVER-SIZE(O.S.=0.25)PART.  
 (3) UNDER-SIZE(U.S.=0.25)PART.

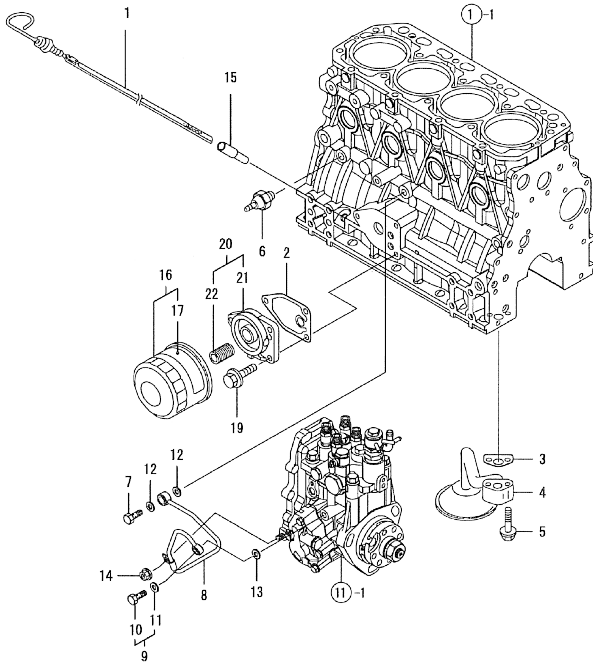
Remarks  
 (1) REPAIR PART.  
 (2) OVER-SIZE(O.S.=0.25)PART.  
 (3) UNDER-SIZE(U.S.=0.25)PART.

No.	Lev.	Parts No.	Description	Q'ty						I	R
				(A)	(B)	(C)	(D)	(E)	(F)		
1	1	129601-21000	CRANKSHAFT ASSY	1							
2	2	129100-01580	PIN, M8X16	1							
5	2	119802-21200	GEAR, CRANKSHAFT	1							
6	2	22512-070140	KEY, 7X 14	1							
8	1	22351-030010	PIN, SPRING 3.0X10	1							
9	1	119802-21650	V-PULLEY, 110	1							
10	1	129795-21661	WASHER	1							
11	1	121850-21680	BOLT	1							
12	1	121111-21501	BOLT, FLYWHEEL	6							
13	1	129601-21570	FLYWHEEL ASSY	1							
15	2	124550-21600	GEAR, RING	1							
16	1	129005-22080	PISTON ASSY	4							
18	2	129005-22500	RING SET, PISTON	4							
22	1	129202-22300	PIN, PISTON D26 L70	4							
23	1	22252-000260	RING, 26	8							
24	1	729402-23100	ROD ASSY, CONNECTING	4							
28	2	129100-23910	BEARING, PISTON PIN	4							1
29	2	121550-23200	BOLT, CONNECTING ROD	8							
30	2	129150-23600	BEARING, CRANK PIN	4							
32	1	129005-22900	PISTON ASSY, 0.25 OS	4							2
34	2	129005-22950	RING SET, 0.25 OS	4							2
38	1	129150-23610	BEARING, 0.25 US	4							3

OCV10-M87700 ENGINE SECTION  
 Fig.9. LUB.OIL SYSTEM

OCV10-M87700 Fig.9

Y00V8770

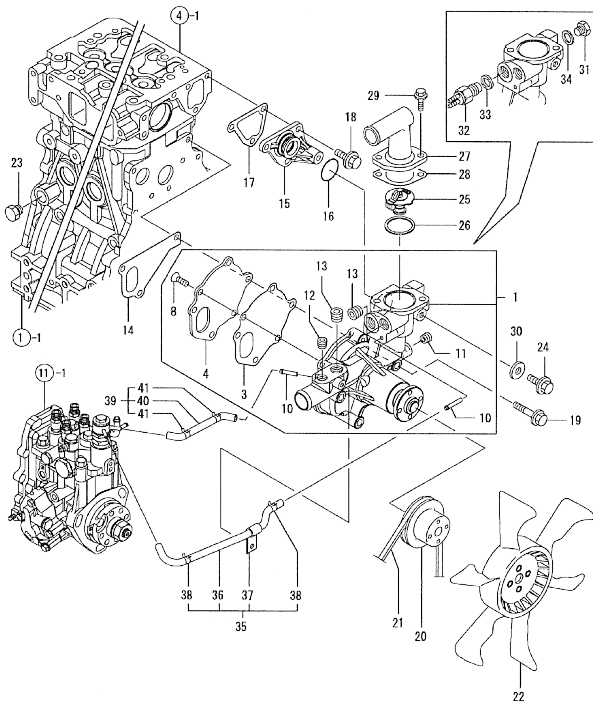


No.	Lev.	Parts No.	Description	Q'ty						I	R
				(A)	(B)	(C)	(D)	(E)	(F)		
1	1	129004-34801	DIPSTICK, OIL	1							
2	1	129150-35111	GASKET	1							
3	1	129150-35041	GASKET	1							
4	1	129436-35091	PIPE ASSY, OIL INLET	1							
5	1	26106-080352	BOLT, M8X 35 PLATED	2							
6	1	114250-39450	SWITCH, 0.5KG	1							
7	1	124160-39140	BOLT, PIPE JOINT M10	1							
8	1	119802-39450	PIPE ASSY, OIL	1							
9	1	129005-59830	BOLT ASSY, JOINT M8	1							
10	2	23857-030000	BOLT, JOINT 3	1							
11	2	22190-080002	WASHER, SEAL 6	1							
12	1	22190-100002	WASHER, SEAL 10	2							
13	1	22190-080002	WASHER, SEAL 6	1							
14	1	26366-060002	NUT, M6	1							
15	1	121520-34810	GUIDE, DIPSTICK	1							
16	1	119802-35150	FILTER ASSY, D80X80L	1							
17	2	119802-07020	LABEL (LO FILTER)	1							
19	1	26106-080202	BOLT, M8X 20 PLATED	3							
20	1	119802-35100	BRACKET ASSY, FILTER	1							
21	2	119802-35110	BRACKET, FILTER	1							
22	2	129100-35140	STUD	1							

N:Old  $\frac{100}{100}$  New, Q:Old  $\frac{100}{100}$  New, R:Old  $\frac{100}{100}$  New, S:Old  $\frac{100}{100}$  New, W:Add, Z:Discontinued, F:Interchangeable by set, K:Q'ty Change  
 Copyright (C) YANMAR CO., LTD. All Rights Reserved.

Fig.10. COOLING WATER SYSTEM

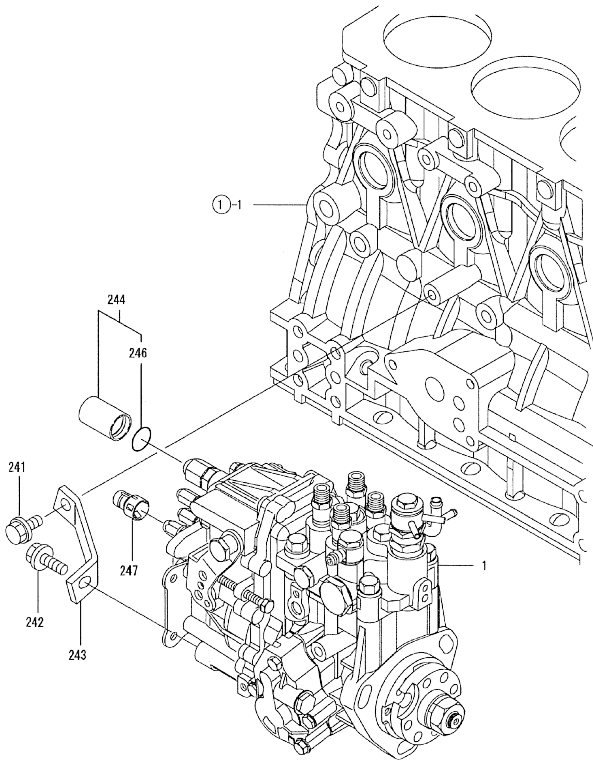
Y00V8770



No.	Lev.	Parts No.	Description	Qty						I	R
				(A)	(B)	(C)	(D)	(E)	(F)		
1	1	129004-42000	PUMP ASSY, WATER	1							
3	2	129100-42051	GASKET, WATER PUMP	1							
4	2	129100-42121	PLATE	1							
8	2	121850-42410	SCREW	3							
10	2	119802-49112	PIPE, WATER	2							
11	2	23876-010000	PLUG, R01	1							
12	2	23876-020000	PLUG, R02	1							
13	2	23876-030000	PLUG, R03	2							
14	1	129486-42021	GASKET, WATER PUMP	1							
15	1	129004-42040	JOINT	1							
16	1	129486-42140	O-RING, G30	1							
17	1	124395-49840	GASKET	1							
18	1	26106-080162	BOLT, M8X 16 PLATED	3							
19	1	26106-080602	BOLT, M8X 60 PLATED	3							
20	1	129556-42350	V-PULLEY, 96	1							
21	1	25132-003800	V-BELT, A38	1							
22	1	129612-44700	FAN, COOLING	1							
23	1	171056-49120	PLUG, DRAIN	1							
24	1	26106-080122	BOLT, M8X 12 PLATED	1							
25	1	129155-49800	THERMOSTAT, 71	1							
26	1	129150-49811	GASKET, THERMOSTAT	1							
27	1	124101-49560	COVER, THERMOSTAT	1							
28	1	129795-49551	GASKET	1							
29	1	26106-080202	BOLT, M8X 20 PLATED	2							
30	1	23414-080000	GASKET, 8X1.0	1							
31	1	121450-42450	PLUG, M16	1							
32	1	119843-44900	SWITCH, 110	1							
33	1	124465-44950	GASKET, 16	1							
34	1	124465-44950	GASKET, 16	1							
35	1	129004-49610	PIPE ASSY, WATER	1							
36	2	129004-49711	PIPE ASSY, WATER	1							
37	2	119802-49730	RETAINER, PIPE	1							
38	2	124722-59050	CLIP, HOSE 9	2							
39	1	129004-49620	PIPE ASSY, WATER	1							
40	2	129004-49721	PIPE ASSY, WATER	1							
41	2	124722-59050	CLIP, HOSE 9	2							

Fig.11. FUEL INJECTION PUMP

Y00V8770

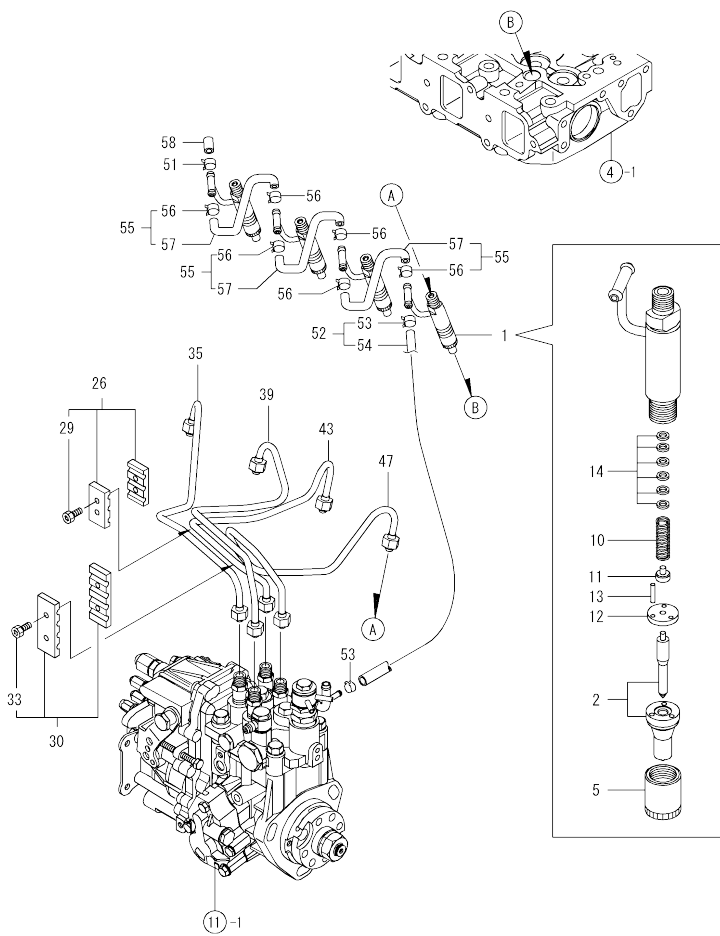


(A)=4TNV88-K1R  
(B)=  
(C)=

(D)=  
(E)=  
(F)=

No.	Lev.	Parts No.	Description	Q'ty						I	R
				(A)	(B)	(C)	(D)	(E)	(F)		
1	1	729642-51300	PUMP ASSY, INJECTION	1							
241	1	26106-080162	BOLT, M8X 16 PLATED	1							
242	1	26106-080202	BOLT, M8X 20 PLATED	1							
243	1	129601-51250	RETAINER, PUMP	1							
244	1	129209-61940	CASE ASSY	1							
246	2	24311-000150	O-RING, 1AP15.0	1							
247	1	119285-66610	CAP, HIGH-IDLE	1							

Fig.12. FUEL INJECTION VALVE



(A)=4TNV88-K1R  
(B)=  
(C)=

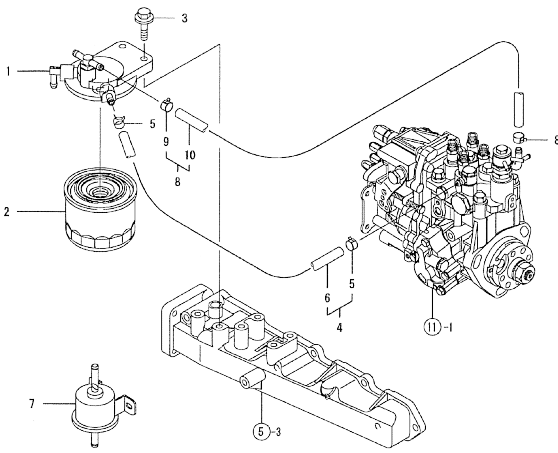
(D)=  
(E)=  
(F)=

No.	Lev.	Parts No.	Description	Q'ty						I	R
				(A)	(B)	(C)	(D)	(E)	(F)		
1	1	729602-53101	VALVE ASSY,INJECTION	4							
2	2	129602-53001	VALVE ASSY,INJECTION	4							
5	2	114250-53080	NUT, NOZZLE D16.95	4							
10	2	114250-53120	SPRING, NOZZLE	4							
11	2	114250-53130	SEAT, SPRING	4							
12	2	114250-53140	PLATE	4							
13	2	114250-53210	PIN	8							
14	2	114250-53400	SHIM SET	4							
26	1	129150-59120	RETAINER, PIPE	1							
29	2	129150-59131	BOLT, M4X14	2							
30	1	129550-59120	RETAINER, PIPE	1							
33	2	129150-59131	BOLT, M4X14	2							
35	1	129601-59810	PIPE ASSY, INJECTION	1							
39	1	129601-59820	PIPE ASSY, INJECTION	1							
43	1	129601-59830	PIPE ASSY, INJECTION	1							
47	1	129601-59840	PIPE ASSY, INJECTION	1							
51	1	124066-59100	CLIP, HOSE 8	2							
52	1	119802-59550	PIPE ASSY, RETURN	1							
53	2	124722-59050	CLIP, HOSE 9	2							
54	2	119802-59560	PIPE, FUEL RETURN	1							
55	1	129486-59551	PIPE ASSY, RETURN	3							
56	2	124722-59050	CLIP, HOSE 9	6							
57	2	129486-59510	PIPE, FUEL RETURN	3							
58	1	119593-59580	CAP	1							



Fig.13. FUEL LINE

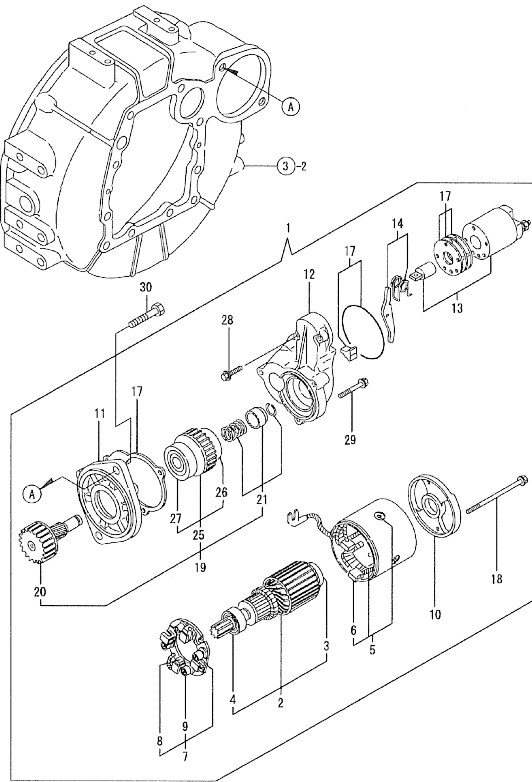
Y00V8770



No.	Lev.	Parts No.	Description	Q'ty					
				(A)	(B)	(C)	(D)	(E)	(F)
1	1	129004-55610	BRACKET, FILTER	1					
2	1	119802-55830	FILTER, FUEL	1					
3	1	26106-080302	BOLT, M8X 30 PLATED	2					
4	1	129210-59090	PIPE ASSY, FUEL	1					
5	2	124766-59050	CLIP, HOSE 12	2					
6	2	105325-59570	PIPE, FUEL	1					
7	1	119225-52102	PUMP ASSY, FUEL FEED	1					
8	1	129210-59150	PIPE ASSY, FUEL	1					
9	2	124766-59050	CLIP, HOSE 12	2					
10	2	105025-59530	PIPE, FUEL D13X400	1					

Fig.14. STARTING MOTOR

Y00V8770



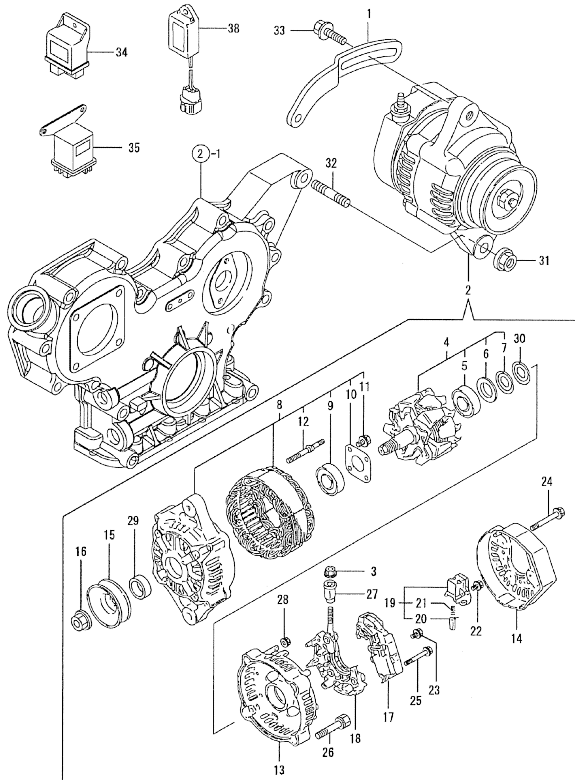
(A)=4TNV88-KJR  
(B)=  
(C)=

(D)=  
(E)=  
(F)=

No.	Lev.	Parts No.	Description	Q'ty					
				(A)	(B)	(C)	(D)	(E)	(F)
1	1	129400-77012	STARTER	1					
2	2	129486-77400	ARMATURE	1					
3	3	171008-77410	BEARING	1					
4	3	171008-77420	BEARING	1					
5	2	129400-77441	COIL ASSY, FIELD	1					
6	3	129486-77460	BRUSH	2					
7	2	129486-77470	HOLDER ASSY, BRUSH	1					
8	3	129486-77460	BRUSH	2					
9	3	129486-77490	SPRING	4					
10	2	129900-77460	COVER	1					
11	2	171008-77510	CASE, GEAR	1					
12	2	129400-77520	HOUSING	1					
13	2	129400-77531	SWITCH ASSY	1					
14	2	171008-77540	LEVER SET	1					
17	2	129400-77571	COVER ASSY, DUST	1					
18	2	129900-77640	BOLT, THROUGH	2					
19	2	171008-77650	PINION ASSY	1					
20	3	171008-77660	SHAFT	1					
21	3	171008-77670	STOPPER SET	1					
25	3	X2114555500	CLUTCH ASSY	1					
26	4	X2114955020	BEARING, BALL	1					
27	4	X2240410100	BEARING, BALL	1					
28	2	26106-060322	BOLT, M6X 32 PLATED	2					
29	2	26106-060402	BOLT, M6X 40 PLATED	3					
30	1	26116-120252	BOLT, M12X 25 PLATED	2					

OCV10-M87700 ENGINE SECTION  
 Fig.15. GENERATOR

Y00V6770



OCV10-M87700 Fig.15

(A)=4TNV88-KJR  
 (B)=  
 (C)=

(D)=  
 (E)=  
 (F)=

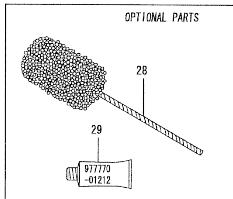
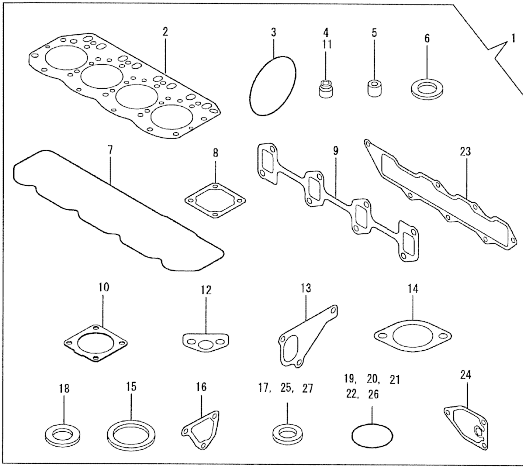
No.	Lev.	Parts No.	Description	Qty						I	R
				(A)	(B)	(C)	(D)	(E)	(F)		
1	1	119802-77320	ADJUSTER	1							
2	1	129423-77200	GENERATOR, 12V-40A	1							
3	2	X9490561001	NUT	1							
4	2	119620-77380	ROTOR ASSY	1							
5	3	119620-79240	BEARING, BALL	1							
6	3	119620-79250	COVER	1							
7	3	119620-79360	WASHER, THRUST	1							
8	2	119620-77421	FRAME ASSY, DRIVE	1							
9	3	119620-79200	BEARING, BALL	1							
10	3	119620-79210	PLATE, RETAINER	1							
11	3	119620-79220	SCREW	4							
12	3	119620-79230	STUD	2							
13	2	119620-77440	FRAME ASSY	1							
14	2	129240-79300	COVER	1							
15	2	119620-77461	PULLEY	1							
16	2	119620-77471	NUT	1							
17	2	129423-77710	REGULATOR ASSY	1							
18	2	119620-79260	HOLDER	1							
19	2	119620-79270	HOLDER, BRUSH	1							
20	3	119620-77480	BRUSH ASSY	2							
21	3	119620-79280	SPRING	2							
22	2	119620-79290	SCREW	1							
23	2	119620-79300	SCREW	1							
24	2	119620-79310	BOLT	3							
25	2	119620-79320	SCREW	2							
26	2	119620-79330	BOLT	2							
27	2	119620-79340	BUSH, INSULATION	1							
28	2	119620-79350	NUT	2							
29	2	119620-77490	COLLAR	1							
30	2	119620-79360	WASHER, THRUST	1							
31	1	26306-100002	NUT, M10	1							
32	1	129795-01900	STUD	1							
33	1	119810-77340	BOLT, ADJUSTER	1							
34	1	119802-77200	RELAY, SAFETY	1							
35	1	119650-77910	RELAY ASSY, GLOW	1							
36	1	119632-77920	TIMER	1							

N:Old  $\frac{100}{100}$  New, Q:Old  $\frac{100}{100}$  New, R:Old  $\frac{100}{100}$  New, S:Old  $\frac{100}{100}$  New, W:Add, Z:Discontinued, F:Interchangeable by set, K:Qty Change  
 Copyright (C) YANMAR CO., LTD. All Rights Reserved.

OCV10-M87700 ENGINE SECTION  
 Fig.16. GASKET SET

OCV10-M87700 Fig.16

Y00V8770



Remarks  
 (1) OPTIONAL PART.

Remarks  
 (1) OPTIONAL PART.

(A)=4TNV88-K1R  
 (B)=  
 (C)=

(D)=  
 (E)=  
 (F)=

No.	Lev.	Parts No.	Description	Q'ty						I	R
				(A)	(B)	(C)	(D)	(E)	(F)		
1	1	72960-1-92610	GASKET SET	1							1
2	2	129407-01340	GASKET, HEAD	1							
3	2	121850-51960	O-RING	1							
4	2	124460-11340	SEAL, VALVE STEM	4							
5	2	119802-11870	PROTECTOR, NOZZLE	4							
6	2	119625-11880	SEAT, NOZZLE	4							
7	2	12960-1-11310	GASKET, BONNET	1							
8	2	129150-77511	GASKET	1							
9	2	129550-13110	GASKET	1							
10	2	129930-13200	GASKET, SILENCER	1							
11	2	121400-11340	SEAL, VALVE STEM	4							
12	2	129150-35041	GASKET	1							
13	2	129486-42021	GASKET, WATER PUMP	1							
14	2	129795-49551	GASKET	1							
15	2	129150-49811	GASKET, THERMOSTAT	1							
16	2	124395-49840	GASKET	1							
17	2	22190-080002	WASHER, SEAL 6	2							
18	2	124465-44950	GASKET, 16	2							
19	2	24311-000120	O-RING, 1AP12.0	3							
20	2	24311-000320	O-RING, 1AP32.0	2							
21	2	24341-000240	O-RING, 1AS24.0	1							
22	2	129486-42140	O-RING, G30	1							
23	2	129407-12110	GASKET, MANIFOLD	1							
24	2	129150-35111	GASKET	1							
25	2	22190-220002	WASHER, SEAL 22	1							
26	2	119609-32040	O-RING, P16	4							
27	2	22190-100002	WASHER, SEAL 10	2							
28	1	129400-92420	HONE	1							1
29	1	977770-01212	GASKET, LIQUID	1							1

## Parts No. Index

Parts No.	Fig. No.	Ref. No.
105025-59530	13	10
105325-59570	13	6
114250-39450	9	6
114250-53080	12	5
114250-53120	12	10
114250-53130	12	11
114250-53140	12	12
114250-53210	12	13
114250-53400	12	14
119131-18320	6	5
119225-52102	13	7
119285-66610	11	247
119593-59580	12	58
119609-32040	2	17
	16	26
119620-01750	3	3
119620-77380	15	4
119620-77421	15	8
119620-77440	15	13
119620-77461	15	15
119620-77471	15	16
119620-77480	15	20
119620-77490	15	29
119620-79200	15	9
119620-79210	15	10
119620-79220	15	11
119620-79230	15	12
119620-79240	15	5
119620-79250	15	6
119620-79260	15	18
119620-79270	15	19
119620-79280	15	21
119620-79290	15	22
119620-79300	15	23
119620-79310	15	24
119620-79320	15	25
119620-79330	15	26
119620-79340	15	27
119620-79350	15	28
119620-79360	15	7
		30
119625-11880	4	19
	16	6
119632-77920	15	38
119640-01640	3	9
119650-77910	15	35
119802-01520	2	12
119802-01560	2	13
119802-03110	4	40
119802-03120	4	41

Parts No.	Fig. No.	Ref. No.
119802-03130	4	42
119802-03140	4	43
119802-07020	9	17
119802-11260	4	25
119802-11270	4	26
119802-11870	4	18
	16	5
119802-21200	8	5
119802-21650	8	9
119802-25051	7	9
119802-25100	7	10
119802-25901	7	14
119802-32070	2	8
119802-32100	2	7
119802-32110	2	18
119802-32120	2	19
119802-32130	2	20
119802-35100	9	20
119802-35110	9	21
119802-35150	9	16
119802-39450	9	8
119802-49112	10	10
119802-49730	10	37
119802-55830	13	2
119802-59550	12	52
119802-59560	12	54
119802-77200	15	34
119802-77320	15	1
119810-77340	15	33
119843-44900	10	32
119934-01800	2	6 -1
120130-11860	4	5
120270-54410	4	22
121023-01550	2	28
121111-21501	8	12
121400-11340	4	15
	16	11
121450-42450	10	31
121520-34810	9	15
121550-23200	8	29
121850-21680	8	11
121850-42410	10	8
121850-51960	2	21
	16	3
123900-13610	6	3
123900-13630	6	4
124060-01050	1	10
124066-59100	12	51
124101-49560	10	27
124160-01751	2	14

Parts No.	Fig. No.	Ref. No.
124160-01751	4	49
124160-01910	1	5
		15
124160-11360	4	51
124160-39140	9	7
124240-01871	2	15
124395-49840	10	17
	16	16
124460-11340	4	16
	16	4
124465-44950	10	33
		34
	16	18
124550-21600	8	15
124722-59050	10	38
		41
	12	53
		56
124766-59050	13	5
		9
129001-01250	1	11
129001-02930	1	25
129001-32330	2	11
129001-91841	2	22
129004-01190	1	33
129004-03010	4	38
129004-11100	4	10
129004-11650	4	30
129004-11900	4	20
129004-34801	9	1
129004-42000	10	1
129004-42040	10	15
129004-49610	10	35
129004-49620	10	39
129004-49711	10	36
129004-49721	10	40
129004-55610	13	1
129005-22080	8	16
129005-22500	8	18
129005-22900	8	32
129005-22950	8	34
129005-59830	9	9
129100-01580	3	1
		15
	8	2
129100-01640	3	16
129100-11110	4	11
129100-23910	8	28
129100-35140	9	22
129100-42051	10	3

Parts No.	Fig. No.	Ref. No.
129100-42121	10	4
129120-77501	5	8
129150-01200	1	31
129150-02020	1	7
129150-02450	7	4
129150-02870	1	34
129150-02930	1	28
129150-02940	1	37
129150-03070	4	39
129150-11230	4	31
129150-11280	4	27
129150-11370	4	17
129150-11750	4	33
129150-11810	4	7
129150-14101	7	7
129150-14200	7	1
129150-14400	7	2
129150-23600	8	30
129150-23610	8	38
129150-25301	7	15
129150-35041	9	3
	16	12
129150-35111	9	2
	16	24
129150-49811	10	26
	16	15
129150-59120	12	26
129150-59131	12	29
		33
129150-77511	5	9
	16	8
129155-49800	10	25
129202-22300	8	22
129209-61940	11	244
129210-59090	13	4
129210-59150	13	8
129240-79300	15	14
129400-01730	3	6
129400-77012	14	1
129400-77441	14	5
129400-77520	14	12
129400-77531	14	13
129400-77571	14	17
129400-92420	16	28
129407-01340	1	32
	16	2
129407-12110	5	5
	16	23
129410-03990	5	2
129411-13100	6	1

## Parts No. Index

Parts No.	Fig. No.	Ref. No.
129418-32320	2	10
129423-77200	15	2
129423-77710	15	17
129436-01780	3	8
129436-35091	9	4
129486-01670	3	19
129486-42021	10	14
	16	13
129486-42140	10	16
	16	22
129486-59510	12	57
129486-59551	12	55
129486-77400	14	2
129486-77460	14	6
		8
129486-77470	14	7
129486-77490	14	9
129550-13110	6	2
	16	9
129550-59120	12	30
129556-42350	10	20
129601-03080	5	1
129601-11241	4	24
129601-11251	4	28
129601-11310	4	46
	16	7
129601-11350	4	37
129601-11700	4	1
129601-12100	5	3
129601-21000	8	1
129601-21570	8	13
129601-51250	11	243
129601-59810	12	35
129601-59820	12	39
129601-59830	12	43
129601-59840	12	47
129602-53001	12	2
129612-44700	10	22
129795-01780	3	18
129795-01800	2	6
129795-01900	15	32
129795-01950	2	16
129795-02411	1	14
129795-11120	4	12
129795-11180	4	13
129795-21661	8	10
129795-49551	10	28
	16	14
129900-07900	4	53
129900-32130	2	9

Parts No.	Fig. No.	Ref. No.
129900-77460	14	10
129900-77640	14	18
129930-13200	6	7
	16	10
171008-77410	14	3
171008-77420	14	4
171008-77510	14	11
171008-77540	14	14
171008-77650	14	19
171008-77660	14	20
171008-77670	14	21
171051-01921	1	6
171056-49120	10	23
171420-01600	3	2
22190-080002	9	11
		13
	16	17
22190-100002	9	12
	16	27
22190-220002	3	11
	16	25
22252-000260	8	23
22351-030010	8	8
22351-060012	4	21
22512-070140	7	8
	8	6
22857-500100	4	47
		48
23414-080000	10	30
23857-030000	9	10
23876-010000	10	11
23876-020000	10	12
23876-030000	2	4
	10	13
23876-040000	2	5
24311-000120	4	52
	16	19
24311-000150	11	246
24311-000320	2	23
	4	50
	16	20
24341-000240	2	29
	16	21
25132-003800	10	21
26106-060162	2	30
26106-060322	14	28
26106-060402	14	29
26106-080122	10	24
26106-080142	4	54
	7	16

Parts No.	Fig. No.	Ref. No.
26106-080162	2	24
		25
	3	12
	10	18
	11	241
26106-080202	5	6
	9	19
	10	29
	11	242
26106-080252	3	13
	4	35
26106-080302	13	3
26106-080352	3	20
	4	23
	5	10
	9	5
26106-080402	7	13
26106-080452	3	14
		14 -1
26106-080502	3	22
	4	36
26106-080552	2	26
26106-080602	10	19
26106-080802	5	7
26116-120252	14	30
26206-100252	3	4
26206-100302	3	5
26226-080182	4	34
26306-080002	2	27
	6	6
26306-100002	15	31
26366-060002	9	14
27241-120000	1	12
27241-300000	1	13
27241-400000	4	9
27310-080001	4	14
719802-01500	2	1
729233-01500	2	1 -1
729402-14580	7	3
729402-23100	8	24
729601-92610	16	1
729602-01560	1	1
729602-53101	12	1
729642-51300	11	1
977770-01212	2	31
	3	21
	16	29
X2114555500	14	25
X2114955020	14	26
X2240410100	14	27

Parts No.	Fig. No.	Ref. No.
X9490561001	15	3