

0CW10-M04700EN

PREFACE

- 1.This Parts Catalog carries all parts incorporated in YANMAR Model 4TNV88-MPZ engine manufactured since July, 2005.
- 2.Each illustration corresponds to the parts list on the following page.
- 3.When ordering parts,clearly write down the engine model and serial number,as well as the name and number of each part in your order sheet. This will help insure reliable delivery of the parts you have ordered.

Directions for the Parts Catalog.

1. The parts stipulated in this Parts Catalog are not necessarily standard equipped parts.
2. Parts may change without prior notice.
3. The following is an example of the Parts Catalog format.

REF.	LEV.	PARTS NO.	DESCRIPTION	Q'TY						I	R
				(A)	(B)	(C)	(D)	(E)	(F)		
1	1	729595-51390	FUEL INJECTION PUMP	1	1	1	1	1			1
1-1	1	729595-51391	FUEL INJECTION PUMP	1	1	1	1	1		N	1
		(A=E00185) (B=E00200)									
3	2	26022-060162	SCREW M 6X 16	9	9	9	9	9			
3-1	2	26022-060162	SCREW M 6X 16	4	4	4	4	4		K	
		(A=E00156) (B=E00156) (C=E00156) (D=E00156) (E=E00156)									
4	2	129470-51040	CAMSHAFT	1	1	1	1	1			
5	2	122710-51050	BEARING, ROLLER	2	2	2	2	2			
6	2	129470-51060	RETAINER	1	1	1	1	1			

Remarks
(1) BOOST COMPEMSATOR TYPE. OPTIONAL PART, TO E00155,(4JH-DT, 4JH-DTZ

① Ref. No.

The Ref. No. listed may not be in accordance with the illustration Ref. No.

(Ex.) Illustration No.

List Ref No.

1 1 (Before change) → 1-1 (After change)

For interchangeable symbols N, R and K, illustrations for new parts may be abbreviated.

② Lev. (Level)

Level indication

The numbers below indicate the level of relativity towards the main part.

1 ---- Main parts (Assembly parts)

2 ---- Sub component included in " 1 ".

3 ---- Sub component included in " 2 ".

Note) Parts that are not for sale are partially illustrated but not listed.

③ Interchangeability Mark

When a part change takes place, one of the following interchangeability symbols is indicated beside the part.

Symbol	Interchangeability	Contents note
N	Old $\begin{matrix} \leftarrow \text{Yes} \\ \text{No} \rightarrow \end{matrix}$ New	New Part is interchangeable for Old Part but Old Part is not interchangeable for New Part.
Q	Old $\begin{matrix} \leftarrow \text{No} \\ \text{Yes} \rightarrow \end{matrix}$ New	New Part is not interchangeable for Old Part but Old Part is interchangeable for New Part.
R	Old $\begin{matrix} \leftarrow \text{Yes} \\ \text{Yes} \rightarrow \end{matrix}$ New	New/ Old Parts are both interchangeable.
S	Old $\begin{matrix} \leftarrow \text{No} \\ \text{No} \rightarrow \end{matrix}$ New	New/ Old Parts are both not interchangeable.
W		Part newly added.
Z		Part discontinued.
F		Not interchangeable by a single part but interchangeable together with related parts.
K		Changes only for used parts quantities.

④ Effective Machine No.

When a part changes, the effective Machine No. will be indicated in the (A)-(F) column.

Product Symbol	Product No.	Product Symbol	Product No.
C	Clutch No. Compressor No.	F	Machine No. (Agricultural Equip.)
D	Drive No.	M	Machine No.
E	Engine No.		

Note 1) A date may follow the symbol. (Ex.) 1996.01

Note 2) "XXXXX" and "ZZZZZ" are for parts that could not be predicted or for engine models that could not be identified.

Note 3) (A=E00185) is the E (Engine Serial Number) for the column (A) model (in this case 4JH-DT) after the parts design change.

⑤ Remarks Mark

Figures or alphabets (symbols) are entered in the remarks column.

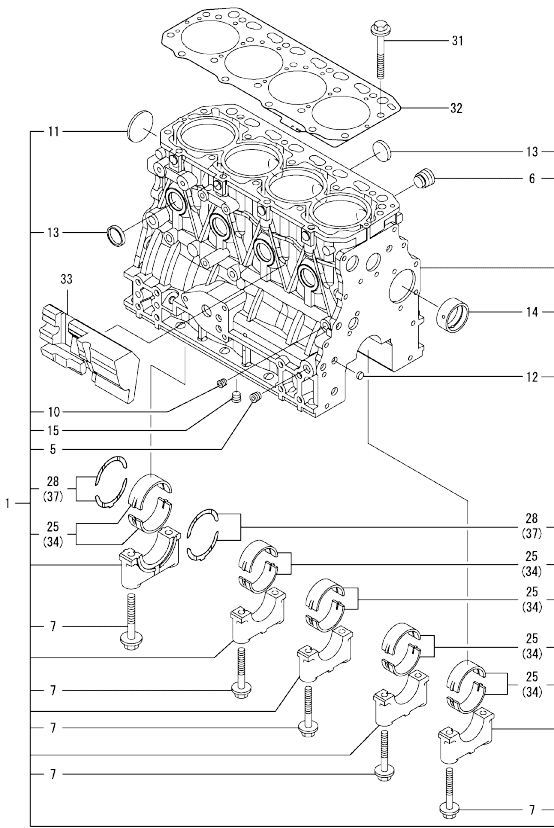
The comments (remarks) on parts that are indicated at the bottom of the illustration are the same symbols as those stated above.

Contents

Fig. No.	Fig. Name	Fig. No.	Fig. Name
ENGINE 4TNV88-MPZ			
1.	CYLINDER BLOCK		
2.	GEAR HOUSING		
3.	FLYWHEEL HOUSING & OIL SUMP		
4.	CYLINDER HEAD & BONNET		
5.	SUCTION MANIFOLD		
6.	EXHAUST MANIFOLD		
7.	CAMSHAFT & DRIVING GEAR		
8.	CRANKSHAFT & PISTON		
9.	LUB.OIL SYSTEM		
10.	COOLING WATER SYSTEM		
11.	FUEL INJECTION PUMP		
12.	GOVERNOR		
13.	FUEL INJECTION VALVE		
14.	FUEL LINE		
15.	STARTING MOTOR		
16.	GENERATOR		
17.	GASKET SET		

0CW10-M04700

Fig.1. CYLINDER BLOCK



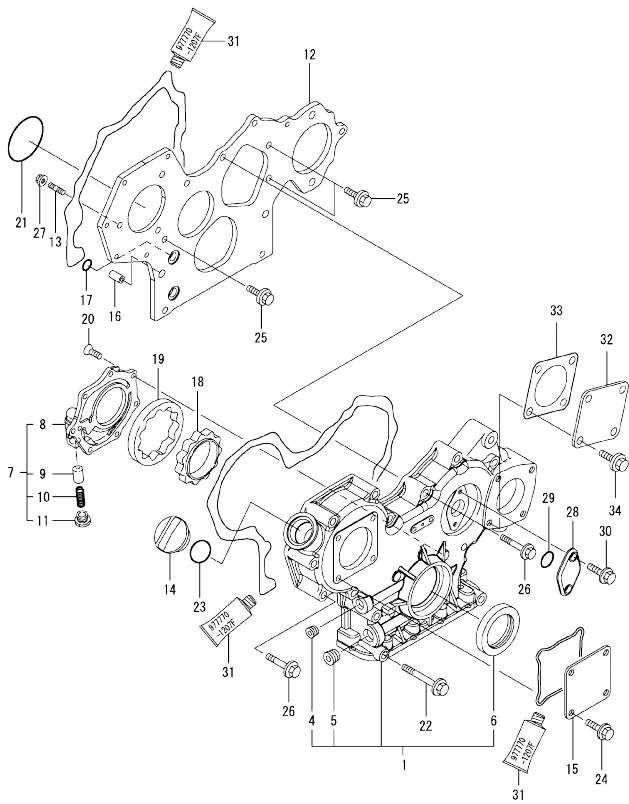
No.	Lev.	Parts No.	Description	Q'ty						I	R
				(A)	(B)	(C)	(D)	(E)	(F)		
1	1	729602-01560	BLOCK ASSY, CYLINDER	1							
5	2	124160-01910	PLUG, PT1/4	2							
6	2	171051-01921	PLUG, NPTF1	1							
7	2	129150-02020	BOLT, METAL CAP	10							
10	2	124060-01050	PLUG, PT1/8	1							
11	2	129001-01250	PLUG, 50	1							
12	2	27241-120000	PLUG, 12	2							
13	2	27241-300000	PLUG 30	8							
14	2	129795-02411	BUSH, CAMSHAFT	1							
15	2	124160-01910	PLUG, PT1/4	1							
25	2	129001-02930	BEARING, MAIN	5							3
28	2	129150-02930	BEARING, THRUST	2							
31	1	129150-01200	BOLT, HEAD	18							
32	1	129407-01340	GASKET, HEAD	1							
33	1	129004-01190	SPACER	1							
34	1	129150-02870	BEARING, 0.25 US	5							1
37	1	129150-02940	BEARING, THRUST 0.25	1							2

Remarks
 (1) UNDER-SIZE(U.S=0.25)PART.
 (2) OVER-SIZE(O.S=0.25)PART.
 (3) REPAIR PART.

N:Old $\frac{100}{100}$ New, Q:Old $\frac{100}{100}$ New, R:Old $\frac{100}{100}$ New, S:Old $\frac{100}{100}$ New, W:Add, Z:Discontinued, F:Interchangeable by set, K:Q'ty Change
 Copyright (C) YANMAR CO., LTD. All Rights Reserved.

0CW10-M04700

Fig.2. GEAR HOUSING



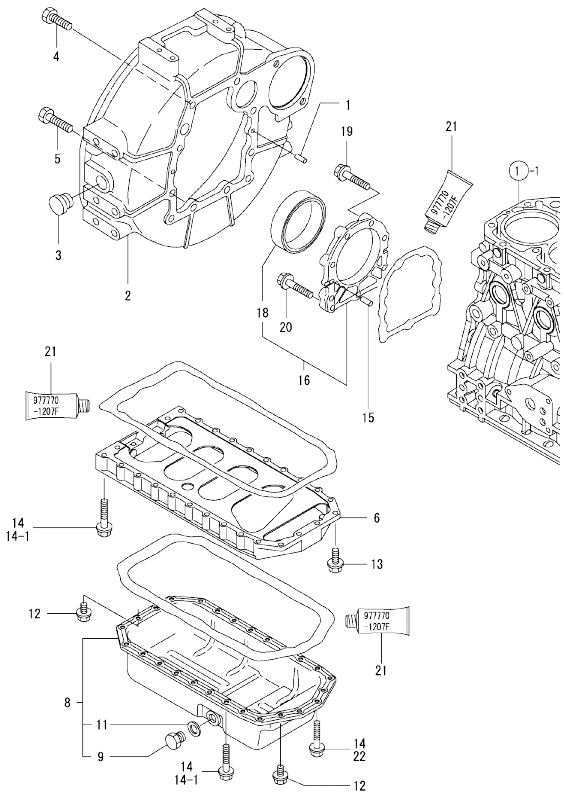
No.	Lev.	Parts No.	Description	Q'ty						I	R
				(A)	(B)	(C)	(D)	(E)	(F)		
1	1	729005-01500	CASE ASSY, GEAR	1							
4	2	23876-030000	PLUG, R03	1							
5	2	23876-040000	PLUG, R04	1							
6	2	129795-01800	SEAL, OIL	1							
7	1	119802-32100	COVER ASSY	1							
8	2	119802-32070	COVER	1							
9	2	129900-32130	VALVE, RELIEF	1							
10	2	129418-32320	SPRING	1							
11	2	129001-32330	PLUG	1							
12	1	129005-01520	FLANGE, GEAR CASE	1							
13	1	119802-01560	STUD, M8X25	3							
14	1	124160-01751	COVER, FILLER	1							
15	1	124240-01871	COVER	1							
16	1	129795-01950	PIPE, KNOCK L=18	2							
17	1	119609-32040	O-RING, P16	4							
18	1	119802-32111	ROTOR, INNER	1							
19	1	119802-32120	ROTOR, OUTER	1							
20	1	119802-32130	SCREW, M6X16	7							
21	1	121850-51960	O-RING	1							
22	1	129001-91841	BOLT, M8X85	3							
23	1	24311-000320	O-RING, 1AP32.0	1							
24	1	26106-080162	BOLT, M8X 16 PLATED	4							
25	1	26106-080162	BOLT, M8X 16 PLATED	3							
26	1	26106-080552	BOLT, M8X 55 PLATED	11							
27	1	26306-080002	NUT, M8	3							
28	1	121023-01550	COVER	1							
29	1	24341-000240	O-RING, 1AS24.0	1							
30	1	26106-060162	BOLT, M6X 16 PLATED	2							
31	1	977770-1207F	GASKET, LIQUID	1							1
32	1	124240-01871	COVER	1							
33	1	124240-01883	GASKET	1							
34	1	26106-080122	BOLT, M8X 12 PLATED	4							

Remarks
(1) OPTIONAL PART.

N:Old $\frac{100}{100}$ New, Q:Old $\frac{100}{100}$ New, R:Old $\frac{100}{100}$ New, S:Old $\frac{100}{100}$ New, W:Add, Z:Discontinued, F:Interchangeable by set, K:Qty Change
Copyright (C) YANMAR CO., LTD. All Rights Reserved.

OCW10-M04700

Fig.3. FLYWHEEL HOUSING & OIL SUMP



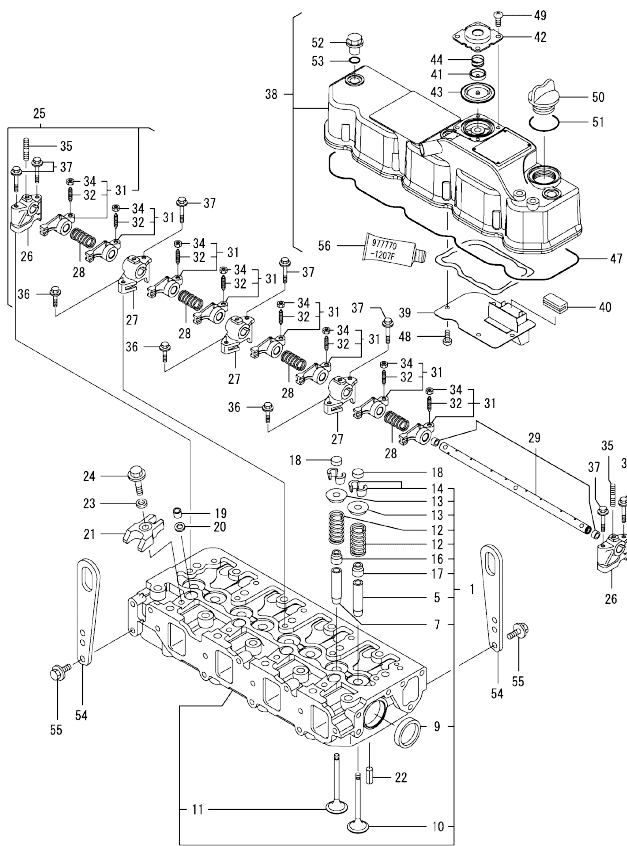
No.	Lev.	Parts No.	Description	Q'ty						I	R
				(A)	(B)	(C)	(D)	(E)	(F)		
1	1	129100-01580	PIN, M8X16	2							
2	1	129612-01600	HOUSING, FLYWHEEL	1							
3	1	119620-01750	CAP	1							
4	1	26206-100252	BOLT, M10X 25 PLATED	6							
5	1	26206-100302	BOLT, M10X 30 PLATED	4							
6	1	129400-01730	SPACER, OIL SUMP	1							
8	1	129400-01770	SUMP ASSY, OIL	1							
8-1	1	129688-01780	OIL PAN ASSY, DEEP	1							N
		(A=EN1100)									
9	2	119640-01640	PLUG, DRAIN M22	1							
11	2	22190-220002	WASHER, SEAL 22	1							
12	1	26106-080162	BOLT, M8X 16 PLATED	4							
13	1	26106-080252	BOLT, M8X 25 PLATED	2							
14	1	26106-080452	BOLT, M8X 45 PLATED	24							
14-1	1	26106-080452	BOLT, M8X 45 PLATED	20							K
		(A=FROM 1ST)									
15	1	129100-01580	PIN, M8X16	2							
16	1	129100-01640	CASE ASSY, OIL SEAL	1							
18	2	129795-01780	SEAL, OIL	1							
19	1	129486-01670	BOLT, M8X30	6							
20	1	26106-080352	BOLT, M8X 35 PLATED	3							
21	1	977770-1207F	GASKET, LIQUID	1							1
22	1	26106-080502	BOLT, M8X 50 PLATED	4							W
		(A=FROM 1ST)									

Remarks
(1) OPTIONAL PART.

N:Old $\frac{100}{100}$ New, Q:Old $\frac{100}{100}$ New, R:Old $\frac{100}{100}$ New, S:Old $\frac{100}{100}$ New, W:Add, Z:Discontinued, F:Interchangeable by set, K:Q'ty Change
Copyright (C) YANMAR CO., LTD. All Rights Reserved.

OCW10-M04700

Fig.4. CYLINDER HEAD & BONNET



No.	Lev.	Parts No.	Description	Q'ty						I	R
				(A)	(B)	(C)	(D)	(E)	(F)		
1	1	129601-11700	HEAD ASSY, CYLINDER	1							
5	2	120130-11860	GUIDE, VALVE	4							1
7	2	129150-11810	GUIDE, VALVE	4							1
9	2	27241-400000	PLUG, 40	2							
10	2	129004-11101	VALVE, INTAKE	4							
11	2	129100-11111	VALVE, EXHAUST	4							
12	2	129795-11120	SPRING, VALVE	8							
13	2	129795-11180	RETAINER, SPRING	8							
14	2	27310-080001	COTTER, 8	8							
16	2	121400-11340	SEAL, VALVE STEM	4							
17	2	124460-11340	SEAL, VALVE STEM	4							
18	1	129150-11370	CAP, VALVE	8							
19	1	119802-11870	PROTECTOR, NOZZLE	4							
20	1	119625-11880	SEAT, NOZZLE	4							
21	1	129004-11900	RETAINER, NOZZLE	4							
22	1	22351-060012	PIN, SPRING 6.0X12	2							
23	1	120270-54410	WASHER, INJECTOR	4							
24	1	26106-080352	BOLT, M8X 35 PLATED	4							
25	1	129601-11241	SHAFT ASSY, ROCKER	1							
26	2	119802-11260	SUPPORT, ROCKER ARM	2							
27	2	119802-11270	SUPPORT, ROCKER ARM	3							
28	2	129150-11280	SPRING	4							
29	2	129601-11251	SHAFT, ROCKER ARM	1							
31	2	129004-11650	ARM, ROCKER	8							
32	3	129150-11230	SCREW, VALVE ADJUST	8							
34	3	129150-11750	NUT, M8	8							
35	2	26226-080182	STUD, M8X 18	3							
36	1	26106-080252	BOLT, M8X 25 PLATED	3							
37	1	26106-080502	BOLT, M8X 50 PLATED	7							
38	1	129601-11350	BONNET ASSY, HEAD	1							
39	2	129004-03010	PLATE	1							
40	2	129150-03070	BAFFLE, BREATHER	1							
41	2	119802-03110	PLATE	1							
42	2	119802-03121	COVER, DIAPHRAGM	1							
43	2	119802-03130	DIAPHRAGM	1							
44	2	119802-03141	SPRING, DIAPHRAGM	1							
47	2	129601-11310	GASKET, BONNET	1							
48	2	22857-500100	SCREW, 5X10	4							
49	2	22857-500100	SCREW, 5X10	4							
50	1	124160-01751	COVER, FILLER	1							
51	1	24311-000320	O-RING, 1AP32.0	1							
52	1	124160-11360	KNOB	3							
53	1	24311-000120	O-RING, 1AP12.0	3							
54	1	129900-07900	LIFTER	2							
55	1	26106-080162	BOLT, M8X 16 PLATED	4							
56	1	977770-1207F	GASKET, LIQUID	1							2

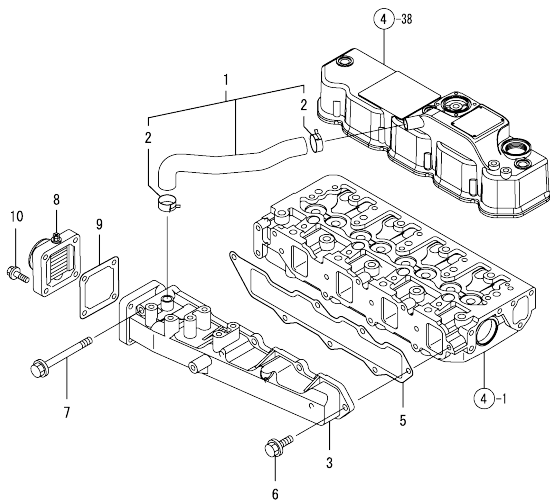
Remarks

- (1) REPAIR PART.
- (2) OPTIONAL PART.

N:Old $\frac{100}{100}$ New, Q:Old $\frac{100}{100}$ New, R:Old $\frac{100}{100}$ New, S:Old $\frac{100}{100}$ New, W:Add, Z:Discontinued, F:Interchangeable by set, K:Q'ty Change
Copyright (C) YANMAR CO., LTD. All Rights Reserved.

OCW10-M04700

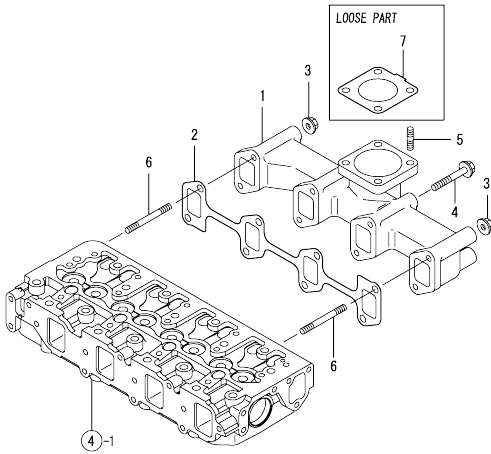
Fig.5. SUCTION MANIFOLD



No.	Lev.	Parts No.	Description	Q'ty					
				(A)	(B)	(C)	(D)	(E)	(F)
1	1	129601-03080	PIPE , BREATHER	1					
2	2	129410-03990	CLAMP 22	2					
3	1	129601-12100	MANIFOLD, AIR INTAKE	1					
5	1	129407-12110	GASKET, MANIFOLD	1					
6	1	26106-080202	BOLT, M8X 20 PLATED	6					
7	1	26106-080802	BOLT, M8X 80 PLATED	1					
8	1	129120-77501	HEATER	1					
9	1	129150-77511	GASKET	1					
10	1	26106-080352	BOLT, M8X 35 PLATED	4					

OCW10-M04700

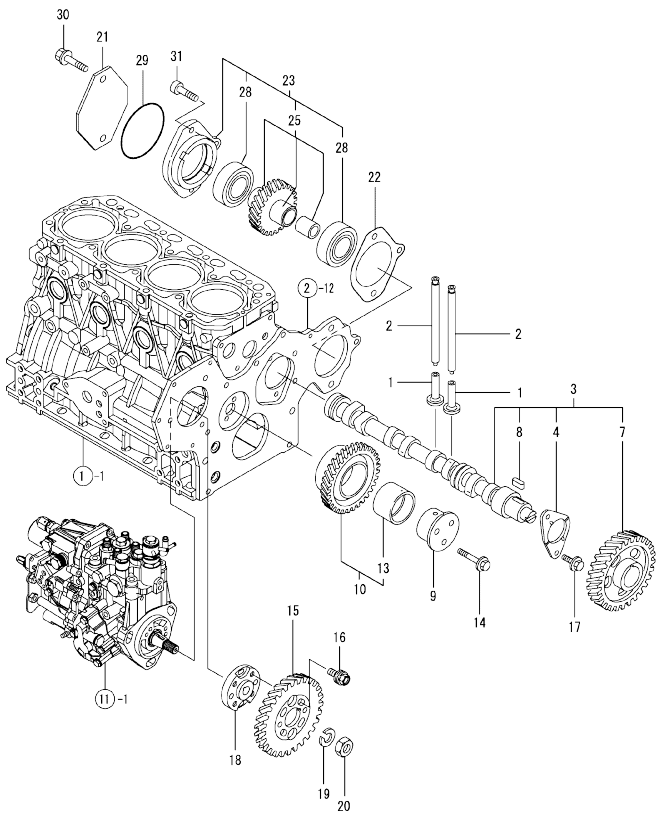
Fig.6. EXHAUST MANIFOLD



No.	Lev.	Parts No.	Description	Q'ty					
				(A)	(B)	(C)	(D)	(E)	(F)
1	1	129411-13100	MANIFOLD, EXHAUST	1					
2	1	129550-13110	GASKET	1					
3	1	26306-080002	NUT, M8	2					
4	1	123900-13630	BOLT, M8X80	6					
5	1	119131-18320	STUD, M8X22	4					
6	1	123900-13610	STUD, M8X80	2					
7	1	129930-13201	GASKET, SILENCER	1					

OCW10-M04700

Fig.7. CAMSHAFT & DRIVING GEAR



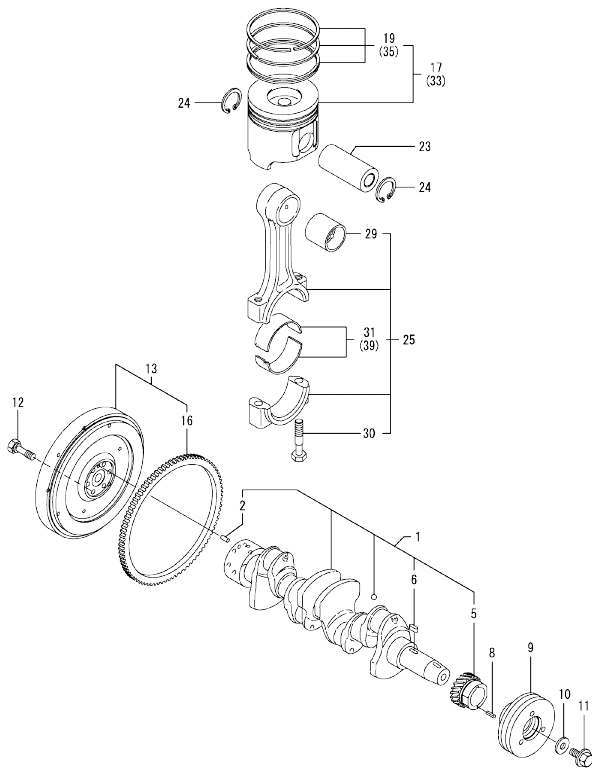
No.	Lev.	Parts No.	Description	Q'ty						I	R
				(A)	(B)	(C)	(D)	(E)	(F)		
1	1	129150-14200	TAPPET	8							
2	1	129150-14400	ROD, PUSH L=178	8							
3	1	729402-14580	CAMSHAFT ASSY	1							
4	2	129150-02450	BEARING, THRUST	1							
7	2	129150-14101	GEAR, CAMSHAFT	1							
8	2	22512-070140	KEY, 7X 14	1							
9	1	119802-25051	SHAFT, IDLE	1							
10	1	119802-25100	GEAR ASSY, IDLE	1							
13	2	119802-25070	BUSH, IDLE GEAR	1							1
14	1	26106-080402	BOLT, M8X 40 PLATED	3							
15	1	119802-25901	GEAR, PUMP	1							
16	1	129150-25301	BOLT	4							
17	1	26106-080142	BOLT, M8X 14 PLATED	2							
18	1	158552-51151	FLANGE	1							
19	1	22217-140000	WASHER, SPRING 14	1							
20	1	26776-140002	NUT, LOCK M14	1							
21	1	121023-26070	COVER	1							
22	1	171353-26081	GASKET	1							
23	1	129484-26200	DRIVE ASSY, PUMP	1							
25	2	129484-26210	GEAR ASSY	1							
28	2	24105-060064	BEARING, BALL 6006Z	2							
29	1	24321-000850	O-RING, 1AG85.0	1							
30	1	26106-100452	BOLT, M10X 45 PLATED	2							
31	1	26450-080282	BOLT, M8X 28	1							

Remarks
(1) REPAIR PART.

N:Old $\frac{100}{100}$ New, Q:Old $\frac{100}{100}$ New, R:Old $\frac{100}{100}$ New, S:Old $\frac{100}{100}$ New, W:Add, Z:Discontinued, F:Interchangeable by set, K:Q'ty Change
Copyright (C) YANMAR CO., LTD. All Rights Reserved.

OCW10-M04700

Fig.8. CRANKSHAFT & PISTON



(A)=4TNV88-MPZ
(B)=
(C)=

(D)=
(E)=
(F)=

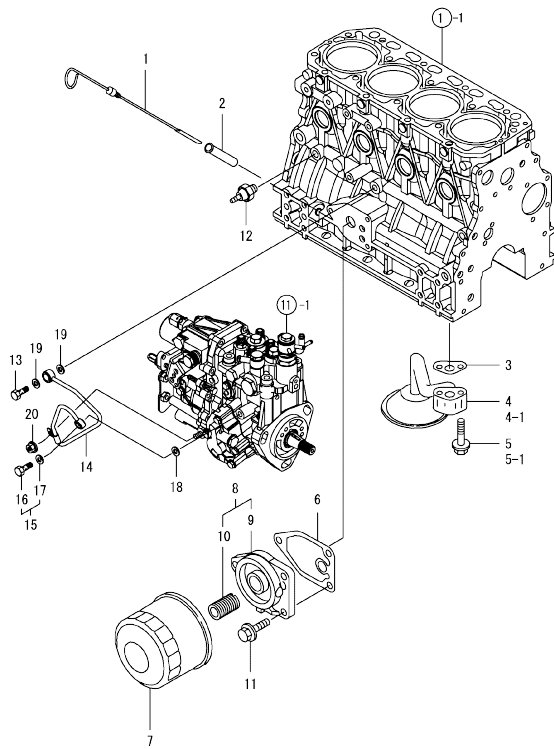
No.	Lev.	Parts No.	Description	Q'ty						I	R
				(A)	(B)	(C)	(D)	(E)	(F)		
1	1	129601-21002	CRANKSHAFT ASSY	1							
2	2	129100-01580	PIN, M8X16	1							
5	2	119802-21202	GEAR, CRANKSHAFT	1							
6	2	22512-070140	KEY, 7X 14	1							
8	1	22351-030010	PIN, SPRING 3.0X10	1							
9	1	119802-21650	V-PULLEY, 110	1							
10	1	129795-21661	WASHER	1							
11	1	121850-21680	BOLT	1							
12	1	121111-21501	BOLT, FLYWHEEL	6							
13	1	171420-21580	FLYWHEEL ASSY	1							
16	2	119865-21600	GEAR, RING	1							
17	1	129005-22080	PISTON ASSY	4							
19	2	129005-22500	RING SET, PISTON	4							
23	1	129202-22300	PIN, PISTON D26 L70	4							
24	1	22252-000260	RING, 26	8							
25	1	729402-23100	ROD ASSY, CONNECTING	4							
29	2	129100-23910	BEARING, PISTON PIN	4							1
30	2	121550-23200	BOLT, CONNECTING ROD	8							
31	2	129150-23600	BEARING, CRANK PIN	4							
33	1	129005-22900	PISTON ASSY, 0.25 OS	4							2
35	2	129005-22950	RING SET, 0.25 OS	4							2
39	1	129150-23610	BEARING, 0.25 US	4							3

Remarks
(1) REPAIR PART.
(2) OVER-SIZE(O.S=0.25)PART.
(3) UNDER-SIZE(U.S=0.25)PART.

N:Old $\frac{100}{100}$ New, Q:Old $\frac{100}{100}$ New, R:Old $\frac{100}{100}$ New, S:Old $\frac{100}{100}$ New, W:Add, Z:Discontinued, F:Interchangeable by set, K:Q'ty Change
Copyright (C) YANMAR CO., LTD. All Rights Reserved.

OCW10-M04700

Fig.9. LUB.OIL SYSTEM



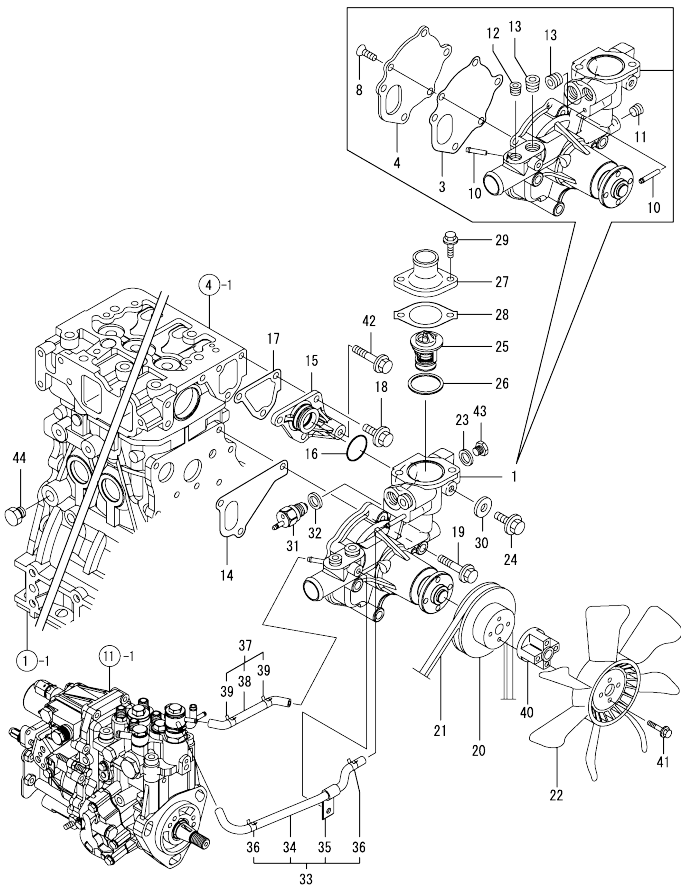
No.	Lev.	Parts No.	Description	Q'ty						I	R
				(A)	(B)	(C)	(D)	(E)	(F)		
1	1	129004-34802	DIPSTICK, OIL	1							
2	1	121520-34810	GUIDE, DIPSTICK	1							
3	1	129150-35042	GASKET	1							
4	1	129436-35091	PIPE ASSY, OIL INLET	1							
4-1	1	129436-35070	PIPE ASSY, LUB. OIL	1							S
(A=EZZZZZ)											
5	1	26106-080352	BOLT, M8X 35 PLATED	2							
5-1	1	26106-080552	BOLT, M8X 55 PLATED	2							S
(A=EZZZZZ)											
6	1	129150-35111	GASKET	1							
7	1	129150-35153	FILTER 80X80L	1							1
8	1	119802-35100	BRACKET ASSY, FILTER	1							
9	2	119802-35110	BRACKET, FILTER	1							
10	2	129100-35140	STUD	1							
11	1	26106-080202	BOLT, M8X 20 PLATED	3							
12	1	114250-39450	SWITCH, 0.5KG	1							
13	1	124160-39140	BOLT, PIPE JOINT M10	1							
14	1	119802-39450	PIPE ASSY, OIL	1							
15	1	129005-59830	BOLT ASSY, JOINT M8	1							
16	2	23857-030000	BOLT, JOINT 3	1							
17	2	22190-080002	WASHER, SEAL 6	1							
18	1	22190-080002	WASHER, SEAL 6	1							
19	1	22190-100002	WASHER, SEAL 10	2							
20	1	26366-060002	NUT, M6	1							

Remarks
(1) REPAIR PART.

N:Old $\frac{100}{100}$ New, Q:Old $\frac{100}{100}$ New, R:Old $\frac{100}{100}$ New, S:Old $\frac{100}{100}$ New, W:Add, Z:Discontinued, F:Interchangeable by set, K:Q'ty Change
Copyright (C) YANMAR CO., LTD. All Rights Reserved.

OCW10-M04700

Fig.10. COOLING WATER SYSTEM

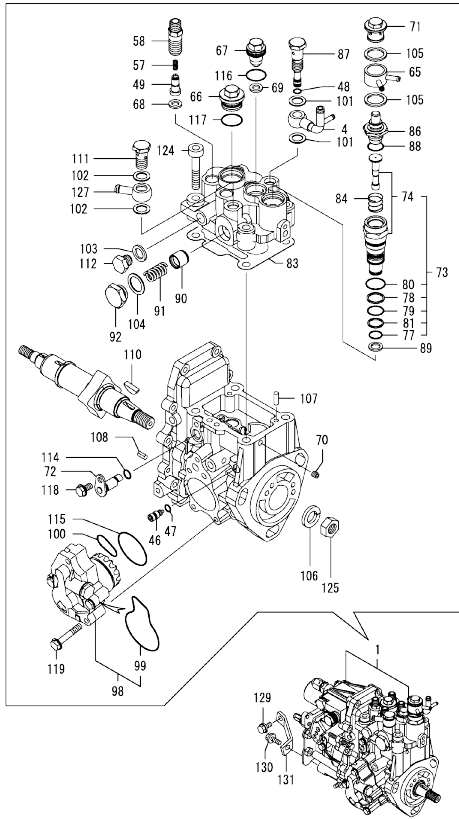


No.	Lev.	Parts No.	Description	Q'ty						I	R
				(A)	(B)	(C)	(D)	(E)	(F)		
1	1	129004-42001	PUMP ASSY, WATER	1							
3	2	129100-42051	GASKET, WATER PUMP	1							
4	2	129100-42121	PLATE	1							
8	2	121850-42410	SCREW	3							
10	2	119802-49113	JOINT, PIPE	2							
11	2	23876-010000	PLUG, R01	1							
12	2	23876-020000	PLUG, R02	1							
13	2	129916-49740	PLUG, R03	2							
14	1	129486-42021	GASKET, WATER PUMP	1							
15	1	129004-42040	JOINT	1							
16	1	129486-42140	O-RING, G30	1							
17	1	124395-49840	GASKET	1							
18	1	26106-080162	BOLT, M8X 16 PLATED	3							
19	1	26106-080602	BOLT, M8X 60 PLATED	3							
20	1	129556-42350	V-PULLEY, 96	1							
21	1	25132-003600	V-BELT, A36	1							
22	1	129655-44740	FAN, COOLING D380	1							
23	1	124465-44950	GASKET, 16	1							
24	1	26106-080122	BOLT, M8X 12 PLATED	1							
25	1	129155-49801	THERMOSTAT, 71	1							
26	1	129150-49811	GASKET, THERMOSTAT	1							
27	1	129350-49530	COVER, THERMOSTAT	1							
28	1	129795-49551	GASKET	1							
29	1	26106-080222	BOLT, M8X 22 PLATED	2							
30	1	23414-080000	GASKET, 8X1.0	1							
31	1	121250-44901	SWITCH, 110	1							
32	1	124465-44950	GASKET, 16	1							
33	1	129004-49610	PIPE ASSY, WATER	1							
34	2	129004-49711	PIPE ASSY, WATER	1							
35	2	119802-49730	RETAINER, PIPE	1							
36	2	124722-59050	CLIP, HOSE 9	2							
37	1	129004-49620	PIPE ASSY, WATER	1							
38	2	129004-49721	PIPE ASSY, WATER	1							
39	2	124722-59050	CLIP, HOSE 9	2							
40	1	171353-44760	SPACER, FAN	1							
41	1	26106-060402	BOLT, M6X 40 PLATED	4							
42	1	26106-080452	BOLT, M8X 45 PLATED	1							
43	1	121450-42450	PLUG, M16	1							
44	1	171056-49120	PLUG, DRAIN	1							

N:Old $\frac{100}{100}$ New, Q:Old $\frac{100}{100}$ New, R:Old $\frac{100}{100}$ New, S:Old $\frac{100}{100}$ New, W:Add, Z:Discontinued, F:Interchangeable by set, K:Q'ty Change
 Copyright (C) YANMAR CO., LTD. All Rights Reserved.

OCW10-M04700

Fig.11. FUEL INJECTION PUMP



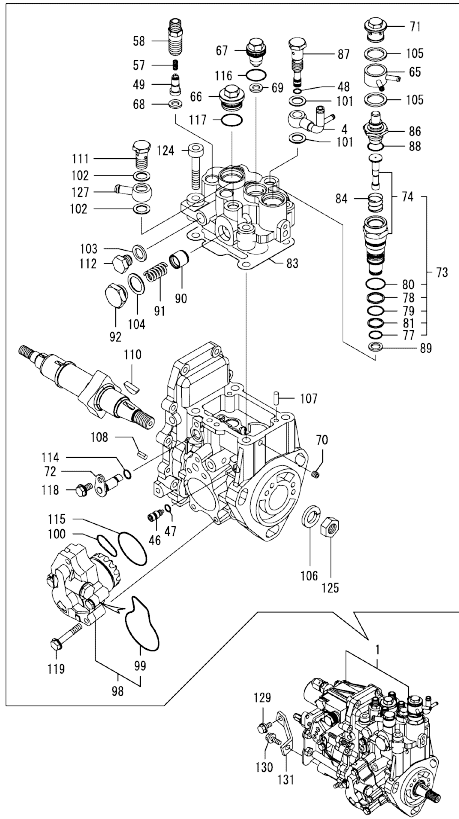
Remarks
 (1) GOVERNOR ASSY(FIG.12) IS
 INCORPORATED IN THIS FOP.CMP
 (REF.NO.1).

No.	Lev.	Parts No.	Description	Q'ty						I	R
				(A)	(B)	(C)	(D)	(E)	(F)		
1	1	729645-51370	PUMP ASSY, INJECTION	1							1
4	2	158552-51670	JOINT, OVER FLOW	1							
46	2	158600-51270	STOPPER, TAPPET	1							
47	2	158563-51281	O-RING, 4D S6	1							
48	2	158563-51281	O-RING, 4D S6	1							
49	2	158560-51300	VALVE ASSY, DELIVERY	4							
57	2	158563-51330	SPRING, DELIVERY	4							
58	2	158601-51340	HOLDER, DELIVERY	4							
65	2	158553-51551	JOINT	1							
66	2	158601-51550	PLUG	1							
67	2	119802-51560	PLUG, BARREL	1							
68	2	158552-51570	GASKET	4							
69	2	158552-51570	GASKET	1							
70	2	158557-51570	PLUG	1							
71	2	158601-51570	PLUG	1							
72	2	158552-51580	LIFTER	1							
73	2	119802-51590	TIMER SET	1							
74	3	119802-51600	TIMER ASSY	1							
77	3	158553-51670	O-RING, 1011	1							
78	3	119802-51680	RING, BACK UP	1							
79	3	119802-51690	O-RING	1							
80	3	24356-010200	O-RING, 4D1020	1							
81	3	24372-000150	RING, BACK UP T2P15	1							
83	2	158552-51600	GASKET	1							
84	2	158553-51630	SPRING, TIMER	1							
86	2	158553-51640	ELEMENT	1							
87	2	158601-51650	JOINT, OVER FLOW	1							
88	2	158553-51660	O-RING, P14	1							
89	2	158553-51680	GASKET	1							
90	2	158601-51770	PISTON	1							
91	2	158552-51780	SPRING	1							
92	2	158601-51790	PLUG	1							
98	2	158552-52100	PUMP ASSY, FUEL FEED	1							
99	3	158552-52500	O-RING	1							
100	2	158552-52310	O-RING	1							
101	2	22190-120002	WASHER, SEAL 12	2							
102	2	22190-120002	WASHER, SEAL 12	2							
103	2	22190-120002	WASHER, SEAL 12	1							
104	2	22190-180002	WASHER, SEAL 18	1							
105	2	22190-180002	WASHER, SEAL 18	2							
106	2	22217-140000	WASHER, SPRING 14	1							
107	2	22312-050140	PIN, PARALLEL M5X14	2							
108	2	22351-050010	PIN, SPRING 5.0X10	2							
110	2	119802-51090	KEY, 4X16	1							
111	2	23857-060000	BOLT, JOINT 6	1							
112	2	23887-120002	PLUG, 12	1							
114	2	24311-000070	O-RING, 1AP7.0	1							
115	2	158552-52400	O-RING, 4E S42	1							
116	2	24356-010180	O-RING, 4D1018	1							
117	2	24356-010200	O-RING, 4D1020	1							
118	2	26106-060102	BOLT, M6X 10 PLATED	1							

N:Old $\frac{New}{Old}$ New, Q:Old $\frac{New}{Old}$ New, R:Old $\frac{New}{Old}$ New, S:Old $\frac{New}{Old}$ New, W:Add, Z:Discontinued, F:Interchangeable by set, K:Q'ty Change
 ++ CONTINUE ++
 Copyright (C) YANMAR CO., LTD. All Rights Reserved.

OCW10-M04700

Fig.11. FUEL INJECTION PUMP



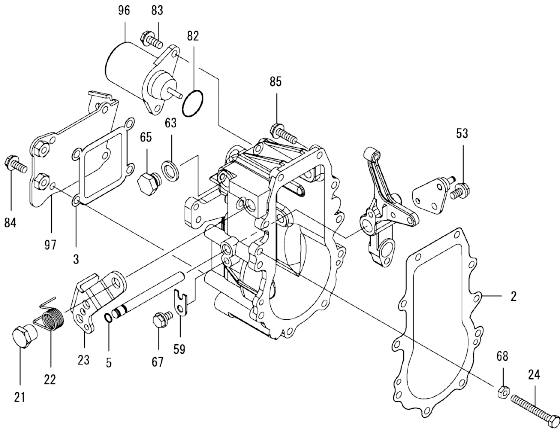
No.	Lev.	Parts No.	Description	Q'ty						
				(A)	(B)	(C)	(D)	(E)	(F)	
119	2	158553-51770	BOLT					4		
124	2	26450-080452	BOLT, M8X 45					4		
125	2	26776-140002	NUT, LOCK M14					1		
127	2	129916-59020	JOINT, PIPE 12					1		
129	1	26106-080162	BOLT, M8X 16 PLATED					1		
130	1	26106-080202	BOLT, M8X 20 PLATED					1		
131	1	12960-1-51250	RETAINER, PUMP					1		

Remarks
 (1) GOVERNOR ASSY(FIG.12) IS
 INCORPORATED IN THIS FOP.CMP
 (REF.NO.1).

N:Old $\frac{100}{100}$ New, Q:Old $\frac{100}{100}$ New, R:Old $\frac{100}{100}$ New, S:Old $\frac{100}{100}$ New, W:Add, Z:Discontinued, F:Interchangeable by set, K:Qty Change
 Copyright (C) YANMAR CO., LTD. All Rights Reserved.

OCW10-M04700

Fig.12. GOVERNOR



No.	Lev.	Parts No.	Description	Q'ty						I	R
				(A)	(B)	(C)	(D)	(E)	(F)		
2	2	158553-61050	GASKET	1							
3	2	158553-61070	GASKET	1							
5	2	129155-51280	O-RING, S6	1							
21	2	129255-61410	NUT, LOCK	1							
22	2	119807-61420	SPRING, RETURN	1							
23	2	158552-61441	LEVER, REGULATOR	1							
24	2	129155-61460	BOLT, IDLE	1							
53	2	26106-060102	BOLT, M6X 10 PLATED	1							
59	2	119660-61901	RETAINER, SHAFT	1							
63	2	22190-120000	WASHER, SEAL 12	1							
65	2	23887-120002	PLUG, 12	1							
67	2	26106-060102	BOLT, M6X 10 PLATED	1							
68	2	26756-060002	NUT, LOCK M6	1							
82	2	24341-000280	O-RING, 1AS28.0	1							
82-1	2	158552-61900	O-RING	1							N
(A)=EXXXXX											
83	2	26106-060142	BOLT, M6X 14 PLATED	2							
84	2	26106-060142	BOLT, M6X 14 PLATED	4							
85	2	26106-060202	BOLT, M6X 20 PLATED	10							
96	2	119653-77950	SOLENOID, STOP	1							
97	2	158552-61061	COVER, GOVERNOR CASE	1							

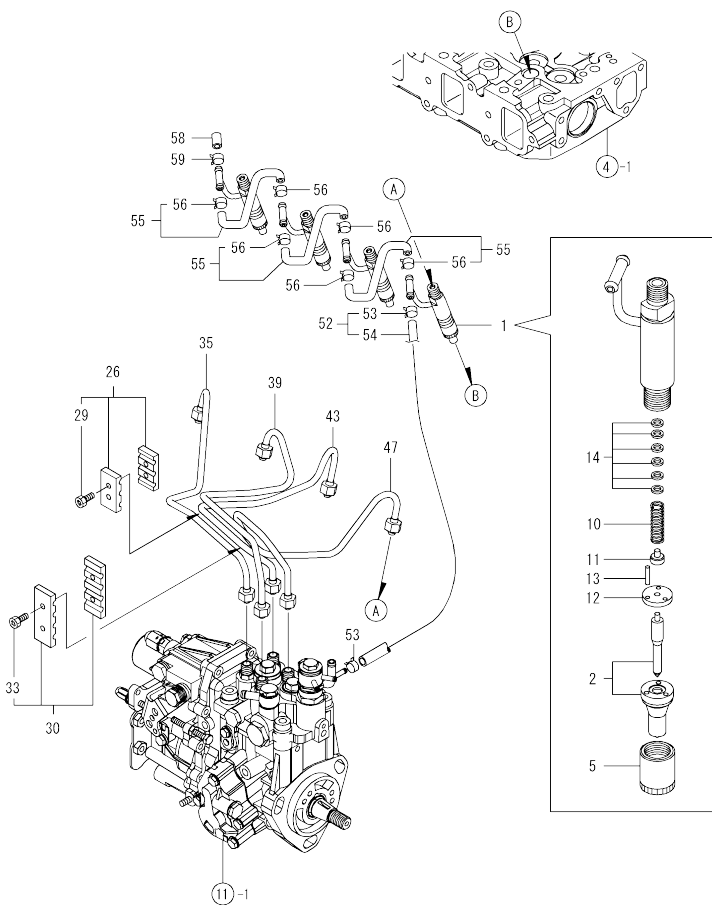
Remarks

* THIS FIGURE(GOVERNOR ASSY)IS INCORPORATED IN THE FUEL INJECTION PUMP ASSY(FIG.11).

N:Old $\frac{100}{100}$ New, Q:Old $\frac{100}{100}$ New, R:Old $\frac{100}{100}$ New, S:Old $\frac{100}{100}$ New, W:Add, Z:Discontinued, F:Interchangeable by set, K:Q'ty Change
Copyright (C) YANMAR CO., LTD. All Rights Reserved.

OCW10-M04700

Fig.13. FUEL INJECTION VALVE

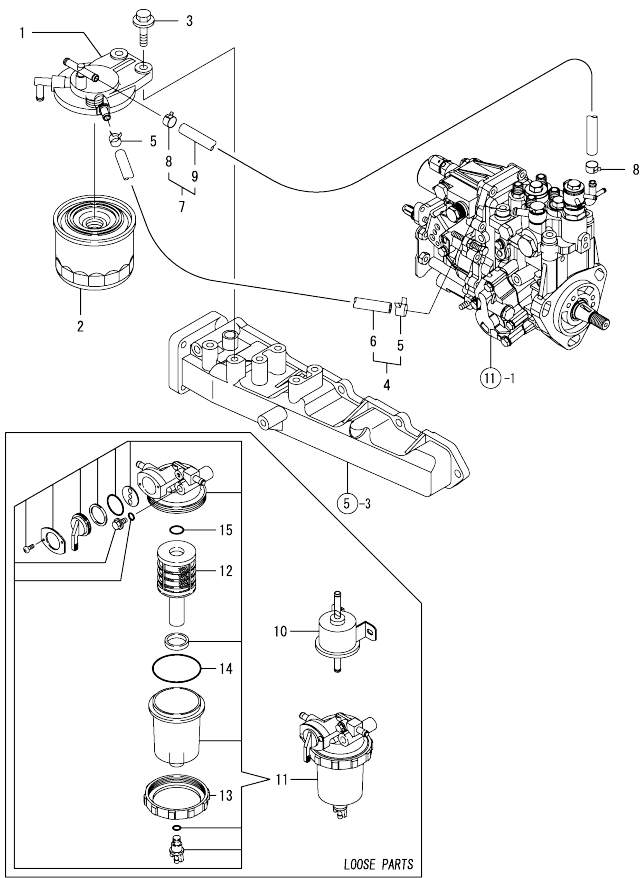


No.	Lev.	Parts No.	Description	Q'ty					
				(A)	(B)	(C)	(D)	(E)	(F)
1	1	729645-53100	VALVE ASSY,INJECTION	4					
2	2	129602-53001	VALVE ASSY,INJECTION	4					
5	2	114250-53080	NUT, NOZZLE D16.95	4					
10	2	114250-53120	SPRING, NOZZLE	4					
11	2	114250-53130	SEAT, SPRING	4					
12	2	114250-53140	PLATE	4					
13	2	114250-53210	PIN	8					
14	2	114250-53400	SHIM SET	4					
26	1	129150-59120	RETAINER, PIPE	1					
29	2	129150-59131	BOLT, M4X14	2					
30	1	129550-59120	RETAINER, PIPE	1					
33	2	129150-59131	BOLT, M4X14	2					
35	1	129601-59810	PIPE ASSY, INJECTION	1					
39	1	129601-59820	PIPE ASSY, INJECTION	1					
43	1	129601-59830	PIPE ASSY, INJECTION	1					
47	1	129601-59840	PIPE ASSY, INJECTION	1					
52	1	119802-59550	PIPE ASSY, RETURN	1					
53	2	124722-59050	CLIP, HOSE 9	2					
54	2	119802-59560	PIPE, FUEL RETURN	1					
55	1	129486-59551	PIPE ASSY, RETURN	3					
56	2	124722-59050	CLIP, HOSE 9	6					
58	1	119593-59580	CAP	1					
59	1	124060-77680	CLIP, HOSE 10	1					

N:Old $\frac{100}{100}$ New, Q:Old $\frac{100}{100}$ New, R:Old $\frac{100}{100}$ New, S:Old $\frac{100}{100}$ New, W:Add, Z:Discontinued, F:Interchangeable by set, K:Q'ty Change
 Copyright (C) YANMAR CO., LTD. All Rights Reserved.

OCW10-M04700

Fig.14. FUEL LINE

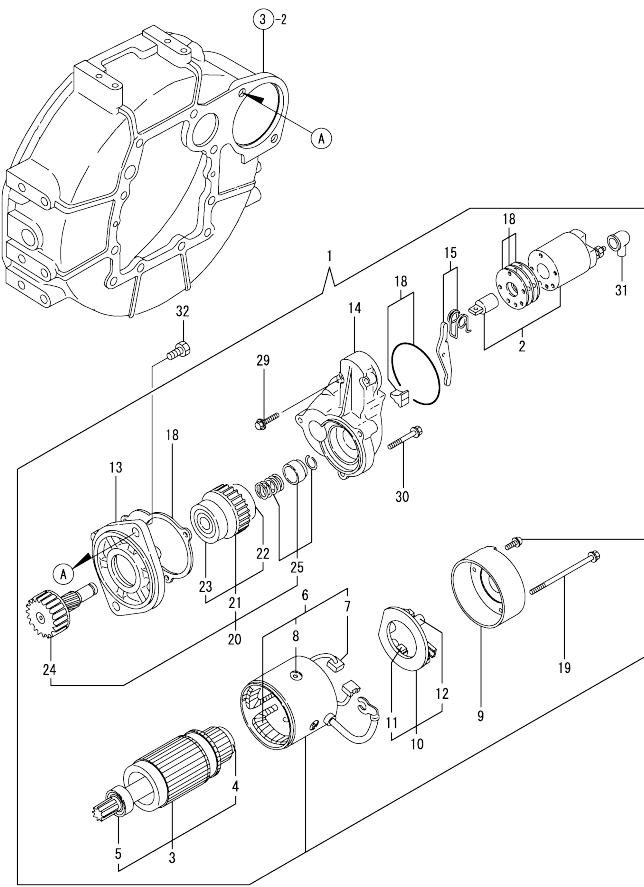


No.	Lev.	Parts No.	Description	Q'ty					
				(A)	(B)	(C)	(D)	(E)	(F)
1	1	129004-55611	BRACKET, FILTER	1					
2	1	119802-55800	FILTER, FUEL	1					
3	1	26106-080302	BOLT, M8X 30 PLATED	2					
4	1	129210-59090	PIPE ASSY, FUEL	1					
5	2	124766-59050	CLIP, HOSE 12	2					
6	2	105325-59570	PIPE, FUEL	1					
7	1	129210-59150	PIPE ASSY, FUEL	1					
8	2	124766-59050	CLIP, HOSE 12	2					
9	2	105025-59530	PIPE, FUEL D13X400	1					
10	1	119225-52102	PUMP ASSY, FUEL FEED	1					
11	1	119802-55700	SEPARATOR ASSY	1					
12	2	119802-55710	ELEMENT	1					
13	2	129100-55690	RING, RETAINING	1					
14	2	24321-000650	O-RING, 1AG65.0	1					
15	2	24311-000160	O-RING, 1AP16.0	1					

N:Old $\frac{New}{Old}$ New, Q:Old $\frac{New}{Old}$ New, R:Old $\frac{New}{Old}$ New, S:Old $\frac{New}{Old}$ New, W:Add, Z:Discontinued, F:Interchangeable by set, K:Qty Change
 Copyright (C) YANMAR CO., LTD. All Rights Reserved.

OCW10-M04700

Fig.15. STARTING MOTOR

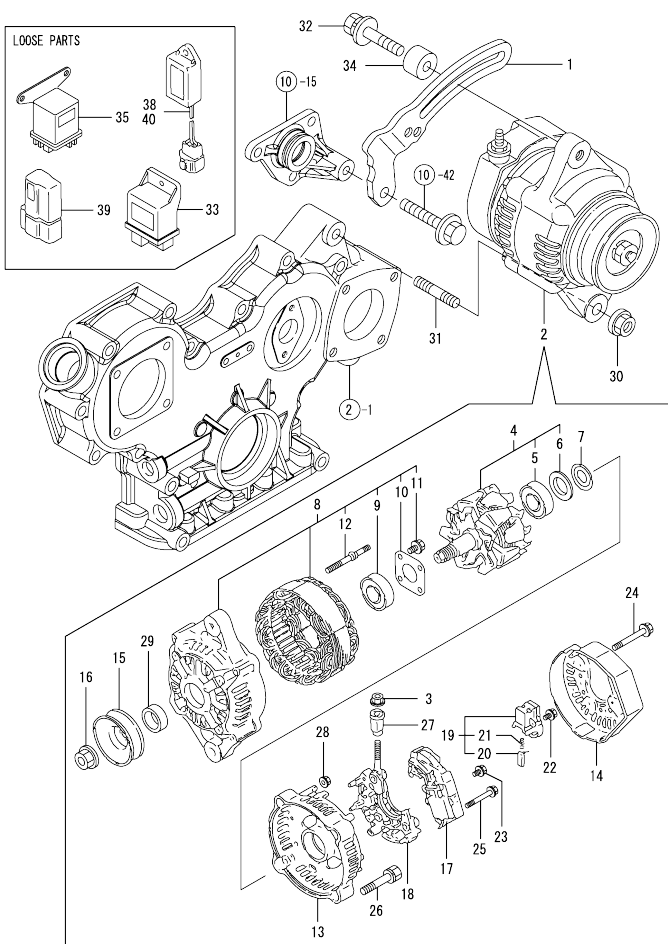


No.	Lev.	Parts No.	Description	Q'ty					
				(A)	(B)	(C)	(D)	(E)	(F)
1	1	129136-77011	STARTER	1					
2	2	129136-77310	SWITCH ASSY	1					
3	2	129900-77400	ARMATURE ASSY	1					
4	3	X2130350900	BALL BEARING	1					
5	3	X2114255110	BEARING, BALL	1					
6	2	129900-77440	COIL ASSY, FIELD	1					
7	3	129900-77450	BRUSH (+)	2					
8	3	171008-77450	SCREW	4					
9	2	129900-77460	COVER, REAR	1					
10	2	129900-77480	HOLDER ASSY, BRASH	1					
11	3	129900-77450	BRUSH (+)	2					
12	3	129400-77490	SPRING, BRUSH	4					
13	2	171008-77510	HOUSING ASSY, GEAR	1					
14	2	129136-77520	CENTER HOUSING	1					
15	2	171008-77540	LEVER SET, SHIFT	1					
18	2	129400-77571	DUST COVER, (NON-ASB.	1					
19	2	129900-77640	BOLT, THROUGHT	2					
20	2	171008-77650	PINION ASSY	1					
21	3	X2114555500	CLUTCH ASSY	1					
22	4	X2114955020	BALL BEARING	1					
23	4	X2240410100	BEARING, BALL	1					
24	3	171008-77660	SHAFT, PINION	1					
25	3	171008-77670	STOPPER SET, PINION	1					
29	2	26106-060322	BOLT, M6X 32 PLATED	2					
30	2	26106-060402	BOLT, M6X 40 PLATED	3					
31	2	171008-77750	COVER, M TERMINAL	1					
32	1	26116-120252	BOLT, M12X 25 PLATED	2					

N:Old $\frac{100}{100}$ New, Q:Old $\frac{100}{100}$ New, R:Old $\frac{100}{100}$ New, S:Old $\frac{100}{100}$ New, W:Add, Z:Discontinued, F:Interchangeable by set, K:Q'ty Change
 Copyright (C) YANMAR CO., LTD. All Rights Reserved.

OCW10-M04700

Fig.16. GENERATOR

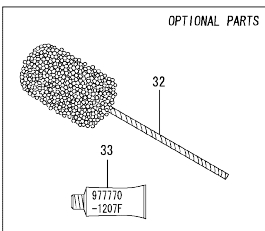
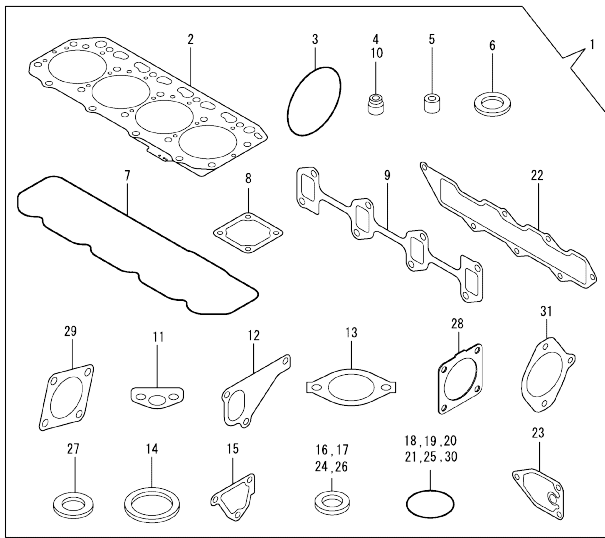


No.	Lev.	Parts No.	Description	Q'ty						I	R
				(A)	(B)	(C)	(D)	(E)	(F)		
1	1	129064-77330	ADJUSTER	1							
2	1	129423-77200	GENERATOR, 12V-40A	1							
3	2	X9490561001	NUT	1							
4	2	119620-77380	ROTOR ASSY	1							
5	3	119620-79240	BALL BEARING	1							
6	3	119620-79250	COVER, BEARING	1							
7	2	119620-79360	WASHER, THRUST	1							
8	2	119620-77421	FRAME ASSY, DRIVE	1							
9	3	119620-79200	BALL BEARING	1							
10	3	119620-79210	PLATE	1							
11	3	119620-79220	SCREW	4							
12	3	119620-79230	BOLT, STUD	2							
13	2	119620-77440	FLAME ASSY, REAR	1							
14	2	129240-79300	COVER	1							
15	2	119620-77461	PULLEY	1							
16	2	119620-77471	NUT	1							
17	2	129423-77710	REGULATOR ASSY	1							
18	2	119620-79260	HOLDER	1							
19	2	119620-79270	HOLDER, BRUSH	1							
20	3	119620-77480	BRUSH ASSY	2							
21	3	119620-79280	SPRING	2							
22	2	119620-79290	SCREW	6							
23	2	119620-79300	SCREW	1							
24	2	119620-79310	BOLT	3							
25	2	119620-79320	SCREW W/WASHER	2							
26	2	119620-79330	BOLT	2							
27	2	119620-79340	INSULATION BUSH	1							
28	2	119620-79350	NUT	2							
29	2	119620-77490	COLLAR	1							
30	1	26306-100002	NUT, M10	1							
31	1	129795-01900	STUD	1							
32	1	129972-77341	BOLT, ADJUSTER L=50	1							
33	1	119802-77200	RELAY, SAFETY	1							
34	1	129067-77340	SPACER	1							
35	1	119650-77910	RELAY ASSY, GLOW	1							
38	1	129211-77920	TIMER	1							
39	1	119643-66900	DIODE	1							
40	1	128300-77920	TIMER	1							

N:Old $\frac{100}{100}$ New, Q:Old $\frac{100}{100}$ New, R:Old $\frac{100}{100}$ New, S:Old $\frac{100}{100}$ New, W:Add, Z:Discontinued, F:Interchangeable by set, K:Q'ty Change
 Copyright (C) YANMAR CO., LTD. All Rights Reserved.

OCW10-M04700

Fig.17. GASKET SET



Remarks
(1) OPTIONAL PART.

No.	Lev.	Parts No.	Description	Q'ty						I	R
				(A)	(B)	(C)	(D)	(E)	(F)		
1	1	729601-92940	GASKET SET	1							1
2	2	129407-01340	GASKET, HEAD	1							
3	2	121850-51960	O-RING	1							
4	2	124460-11340	SEAL, VALVE STEM	4							
5	2	119802-11870	PROTECTOR, NOZZLE	4							
6	2	119625-11880	SEAT, NOZZLE	4							
7	2	129601-11310	GASKET, BONNET	1							
8	2	129150-77511	GASKET	1							
9	2	129550-13110	GASKET	1							
10	2	121400-11340	SEAL, VALVE STEM	4							
11	2	129150-35042	GASKET	1							
12	2	129486-42021	GASKET, WATER PUMP	1							
13	2	129795-49551	GASKET	1							
14	2	129150-49811	GASKET, THERMOSTAT	1							
15	2	124395-49840	GASKET	1							
16	2	22190-080002	WASHER, SEAL 6	2							
17	2	124465-44950	GASKET, 16	2							
18	2	24311-000120	O-RING, 1AP12.0	3							
19	2	24311-000320	O-RING, 1AP32.0	2							
20	2	24341-000240	O-RING, 1AS24.0	1							
21	2	129486-42140	O-RING, G30	1							
22	2	129407-12110	GASKET, MANIFOLD	1							
23	2	129150-35111	GASKET	1							
24	2	22190-220002	WASHER, SEAL 22	1							
25	2	119609-32040	O-RING, P16	4							
26	2	22190-100002	WASHER, SEAL 10	2							
27	2	23414-080000	GASKET, 8X1.0	1							
28	2	129930-13201	GASKET, SILENCER	1							
29	2	124240-01883	GASKET	1							
30	2	24321-000850	O-RING, 1AG85.0	1							
31	2	171353-26081	GASKET	1							
32	1	129400-92430	HONE	1							1
33	1	977770-1207F	GASKET, LIQUID	1							1

N:Old $\frac{New}{100}$ New, Q:Old $\frac{New}{100}$ New, R:Old $\frac{New}{100}$ New, S:Old $\frac{New}{100}$ New, W:Add, Z:Discontinued, F:Interchangeable by set, K:Qty Change
Copyright (C) YANMAR CO., LTD. All Rights Reserved.

Parts No. Index

Parts No.	Fig. No.	Ref. No.
105025-59530	14	9
105325-59570	14	6
114250-39450	9	12
114250-53080	13	5
114250-53120	13	10
114250-53130	13	11
114250-53140	13	12
114250-53210	13	13
114250-53400	13	14
119131-18320	6	5
119225-52102	14	10
119593-59580	13	58
119609-32040	2	17
	17	25
119620-01750	3	3
119620-77380	16	4
119620-77421	16	8
119620-77440	16	13
119620-77461	16	15
119620-77471	16	16
119620-77480	16	20
119620-77490	16	29
119620-79200	16	9
119620-79210	16	10
119620-79220	16	11
119620-79230	16	12
119620-79240	16	5
119620-79250	16	6
119620-79260	16	18
119620-79270	16	19
119620-79280	16	21
119620-79290	16	22
119620-79300	16	23
119620-79310	16	24
119620-79320	16	25
119620-79330	16	26
119620-79340	16	27
119620-79350	16	28
119620-79360	16	7
119625-11880	4	20
	17	6
119640-01640	3	9
119643-66900	16	39
119650-77910	16	35
119653-77950	12	96
119660-61901	12	59
119802-01560	2	13
119802-03110	4	41
119802-03121	4	42
119802-03130	4	43

Parts No.	Fig. No.	Ref. No.
119802-03141	4	44
119802-11260	4	26
119802-11270	4	27
119802-11870	4	19
	17	5
119802-21202	8	5
119802-21650	8	9
119802-25051	7	9
119802-25070	7	13
119802-25100	7	10
119802-25901	7	15
119802-32070	2	8
119802-32100	2	7
119802-32111	2	18
119802-32120	2	19
119802-32130	2	20
119802-35100	9	8
119802-35110	9	9
119802-39450	9	14
119802-49113	10	10
119802-49730	10	35
119802-51090	11	110
119802-51560	11	67
119802-51590	11	73
119802-51600	11	74
119802-51680	11	78
119802-51690	11	79
119802-55700	14	11
119802-55710	14	12
119802-55800	14	2
119802-59550	13	52
119802-59560	13	54
119802-77200	16	33
119807-61420	12	22
119865-21600	8	16
120130-11860	4	5
120270-54410	4	23
121023-01550	2	28
121023-26070	7	21
121111-21501	8	12
121250-44901	10	31
121400-11340	4	16
	17	10
121450-42450	10	43
121520-34810	9	2
121550-23200	8	30
121850-21680	8	11
121850-42410	10	8
121850-51960	2	21
	17	3

Parts No.	Fig. No.	Ref. No.
123900-13610	6	6
123900-13630	6	4
124060-01050	1	10
124060-77680	13	59
124160-01751	2	14
	4	50
124160-01910	1	5
	15	15
124160-11360	4	52
124160-39140	9	13
124240-01871	2	15
	32	32
124240-01883	2	33
	17	29
124395-49840	10	17
	17	15
124460-11340	4	17
	17	4
124465-44950	10	23
	32	32
	17	17
124722-59050	10	36
	39	39
	13	53
	56	56
124766-59050	14	5
	8	8
128300-77920	16	40
129001-01250	1	11
129001-02930	1	25
129001-32330	2	11
129001-91841	2	22
129004-01190	1	33
129004-03010	4	39
129004-11101	4	10
129004-11650	4	31
129004-11900	4	21
129004-34802	9	1
129004-42001	10	1
129004-42040	10	15
129004-49610	10	33
129004-49620	10	37
129004-49711	10	34
129004-49721	10	38
129004-55611	14	1
129005-01520	2	12
129005-22080	8	17
129005-22500	8	19
129005-22900	8	33
129005-22950	8	35

Parts No.	Fig. No.	Ref. No.
129005-59830	9	15
129064-77330	16	1
129067-77340	16	34
129100-01580	3	1
	8	2
129100-01640	3	16
129100-11111	4	11
129100-23910	8	29
129100-35140	9	10
129100-42051	10	3
129100-42121	10	4
129100-55690	14	13
129120-77501	5	8
129136-77011	15	1
129136-77310	15	2
129136-77520	15	14
129150-01200	1	31
129150-02020	1	7
129150-02450	7	4
129150-02870	1	34
129150-02930	1	28
129150-02940	1	37
129150-03070	4	40
129150-11230	4	32
129150-11280	4	28
129150-11370	4	18
129150-11750	4	34
129150-11810	4	7
129150-14101	7	7
129150-14200	7	1
129150-14400	7	2
129150-23600	8	31
129150-23610	8	39
129150-25301	7	16
129150-35042	9	3
	17	11
129150-35111	9	6
	17	23
129150-35153	9	7
129150-49811	10	26
	17	14
129150-59120	13	26
129150-59131	13	29
	33	33
129150-77511	5	9
	17	8
129155-49801	10	25
129155-51280	12	5
129155-61460	12	24

Parts No. Index

Parts No.	Fig. No.	Ref. No.
129202-22300	8	23
129210-59090	14	4
129210-59150	14	7
129211-77920	16	38
129240-79300	16	14
129255-61410	12	21
129350-49530	10	27
129400-01730	3	6
129400-01770	3	8
129400-77490	15	12
129400-77571	15	18
129400-92430	17	32
129407-01340	1	32
	17	2
129407-12110	5	5
	17	22
129410-03990	5	2
129411-13100	6	1
129418-32320	2	10
129423-77200	16	2
129423-77710	16	17
129436-35070	9	4 -1
129436-35091	9	4
129484-26200	7	23
129484-26210	7	25
129486-01670	3	19
129486-42021	10	14
	17	12
129486-42140	10	16
	17	21
129486-59551	13	55
129550-13110	6	2
	17	9
129550-59120	13	30
129556-42350	10	20
129601-03080	5	1
129601-11241	4	25
129601-11251	4	29
129601-11310	4	47
	17	7
129601-11350	4	38
129601-11700	4	1
129601-12100	5	3
129601-21002	8	1
129601-51250	11	131
129601-59810	13	35
129601-59820	13	39
129601-59830	13	43
129601-59840	13	47
129602-53001	13	2

Parts No.	Fig. No.	Ref. No.
129612-01600	3	2
129655-44740	10	22
129688-01780	3	8 -1
129795-01780	3	18
129795-01800	2	6
129795-01900	16	31
129795-01950	2	16
129795-02411	1	14
129795-11120	4	12
129795-11180	4	13
129795-21661	8	10
129795-49551	10	28
	17	13
129900-07900	4	54
129900-32130	2	9
129900-77400	15	3
129900-77440	15	6
129900-77450	15	7
	11	7
129900-77460	15	9
129900-77480	15	10
129900-77640	15	19
129916-49740	10	13
129916-59020	11	127
129930-13201	6	7
	17	28
129972-77341	16	32
158552-51151	7	18
158552-51570	11	68
	69	
158552-51580	11	72
158552-51600	11	83
158552-51670	11	4
158552-51780	11	91
158552-52100	11	98
158552-52310	11	100
158552-52400	11	115
158552-52500	11	99
158552-61061	12	97
158552-61441	12	23
158552-61900	12	82 -1
158553-51551	11	65
158553-51630	11	84
158553-51640	11	86
158553-51660	11	88
158553-51670	11	77
158553-51680	11	89
158553-51770	11	119
158553-61050	12	2
158553-61070	12	3

Parts No.	Fig. No.	Ref. No.
158557-51570	11	70
158560-51300	11	49
158563-51281	11	47
	48	
158563-51330	11	57
158600-51270	11	46
158601-51340	11	58
158601-51550	11	66
158601-51570	11	71
158601-51650	11	87
158601-51770	11	90
158601-51790	11	92
171008-77450	15	8
171008-77510	15	13
171008-77540	15	15
171008-77650	15	20
171008-77660	15	24
171008-77670	15	25
171008-77750	15	31
171051-01921	1	6
171056-49120	10	44
171353-26081	7	22
	17	31
171353-44760	10	40
171420-21580	8	13
22190-080002	9	17
	17	18
	17	16
22190-100002	9	19
	17	26
22190-120000	12	63
22190-120002	11	101
	102	
	103	
22190-180002	11	104
	105	
22190-220002	3	11
	17	24
22217-140000	7	19
	11	106
22252-000260	8	24
22312-050140	11	107
22351-030010	8	8
22351-050010	11	108
22351-060012	4	22
22512-070140	7	8
	8	6
22857-500100	4	48
	49	
23414-080000	10	30

Parts No.	Fig. No.	Ref. No.
23414-080000	17	27
23857-030000	9	16
23857-060000	11	111
23876-010000	10	11
23876-020000	10	12
23876-030000	2	4
23876-040000	2	5
23887-120002	11	112
	12	65
24105-060064	7	28
24311-000070	11	114
24311-000120	4	53
	17	18
24311-000160	14	15
24311-000320	2	23
	4	51
	17	19
24321-000650	14	14
24321-000850	7	29
	17	30
24341-000240	2	29
	17	20
24341-000280	12	82
24356-010180	11	116
24356-010200	11	80
	117	
24372-000150	11	81
25132-003600	10	21
26106-060102	11	118
	12	53
	67	
26106-060142	12	83
	84	
26106-060162	2	30
26106-060202	12	85
26106-060322	15	29
26106-060402	10	41
	15	30
26106-080122	2	34
	10	24
26106-080142	7	17
26106-080162	2	24
	25	
	3	12
	4	55
	10	18
	11	129
26106-080202	5	6
	9	11
	11	130

Parts No. Index

Parts No.	Fig. No.	Ref. No.
26106-080222	10	29
26106-080252	3	13
	4	36
26106-080302	14	3
26106-080352	3	20
	4	24
	5	10
	9	5
26106-080402	7	14
26106-080452	3	14
		14 -1
	10	42
26106-080502	3	22
	4	37
26106-080552	2	26
	9	5 -1
26106-080602	10	19
26106-080802	5	7
26106-100452	7	30
26116-120252	15	32
26206-100252	3	4
26206-100302	3	5
26226-080182	4	35
26306-080002	2	27
	6	3
26306-100002	16	30
26366-060002	9	20
26450-080282	7	31
26450-080452	11	124
26756-060002	12	68
26776-140002	7	20
	11	125
27241-120000	1	12
27241-300000	1	13
27241-400000	4	9
27310-080001	4	14
729005-01500	2	1
729402-14580	7	3
729402-23100	8	25
729601-92940	17	1
729602-01560	1	1
729645-51370	11	1
729645-53100	13	1
977770-1207F	2	31
	3	21
	4	56
	17	33
X2114255110	15	5
X2114555500	15	21
X2114955020	15	22

Parts No.	Fig. No.	Ref. No.
X2130350900	15	4
X2240410100	15	23
X9490561001	16	3

Parts No.	Fig. No.	Ref. No.
-----------	----------	----------

Parts No.	Fig. No.	Ref. No.
-----------	----------	----------