

0CD50-M06250EN

# P R E F A C E

This parts catalog is the 1st edition of 4TNV88-STFR for Valeo.

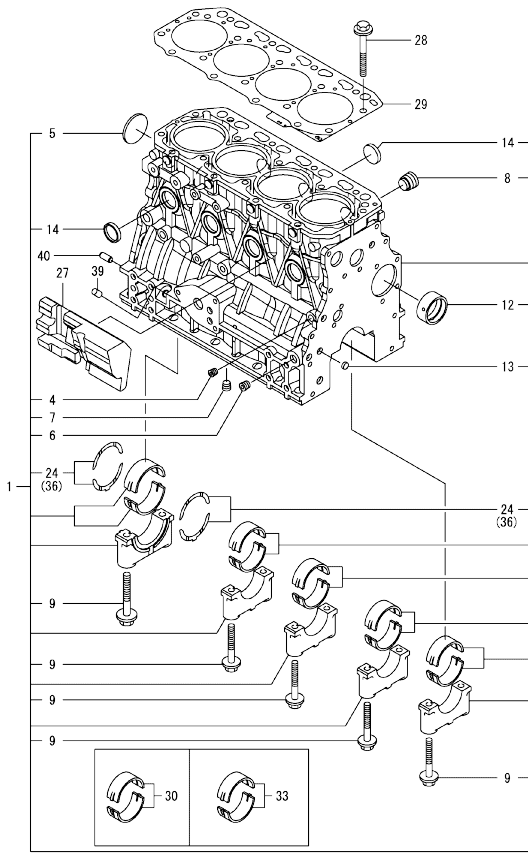
Published : July, 2020

## Contents

0CD50-M06250

Fig. No.	Fig. Name	Fig. No.	Fig. Name
ENGINE			
1.	CYLINDER BLOCK		
2.	GEAR HOUSING		
3.	OIL SUMP		
4.	CYLINDER HEAD & BONNET		
5.	SUCTION MANIFOLD		
6.	EXHAUST MANIFOLD		
7.	CAMSHAFT & DRIVING GEAR		
8.	CRANKSHAFT & PISTON		
9.	LUB. OIL SYSTEM		
10.	COOLING WATER SYSTEM		
11.	FUEL INJECTION PUMP		
12.	GOVERNOR		
13.	FUEL INJECTION VALVE		
14.	ACCESSORY		
15.	GASKET SET		

Fig.1. CYLINDER BLOCK



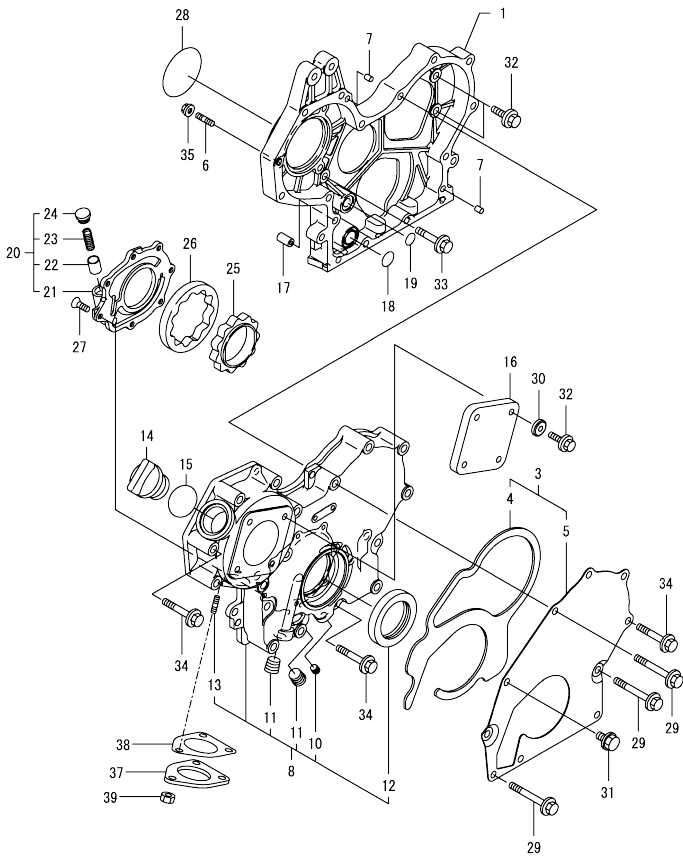
(A)=4TNV88-STFR  
(B)=  
(C)=

(D)=  
(E)=  
(F)=

No.	Lev.	Parts No.	Description	Q'ty						I	R
				(A)	(B)	(C)	(D)	(E)	(F)		
1	1	729602-01560	BLOCK ASSY, CYLINDER	1							
4	2	124060-01050	PLUG, PT1/8	1							
5	2	129001-01250	PLUG, DISH TYPE 50	1							
6	2	124160-01910	PLUG, PT1/4	2							
7	2	124160-01910	PLUG, PT1/4	1							
8	2	171051-01921	PLUG, NPTF1	1							
9	2	129150-02020	BOLT, METAL CAP	10							
12	2	129795-02412	BUSH, CAMSHAFT	1							
13	2	27241-120000	PLUG, 12	2							
14	2	27241-300000	PLUG 30	8							
24	2	129150-02931	BEARING ASSY, THRUST	2							
27	1	129004-01190	SPACER	1							
28	1	129150-01200	BOLT, CYLINDER HEAD	18							
29	1	129685-01330	GASKET, HEAD	1							
30	1	129001-02931	BEARING ASSY, MAIN	5							1
33	1	129150-02871	BEARING ASSY, MAIN	5							2
36	1	129150-02941	BEARING, THRUST 0.25	1							3
39	1	119309-01810	PLUG	1							
40	1	129100-01580	PIN, PARALLEL	1							

Remarks  
(1) Spare parts.  
(2) Under-sized (U.S.=0.25) parts.  
(3) Over-sized (O.S.=0.25) parts.

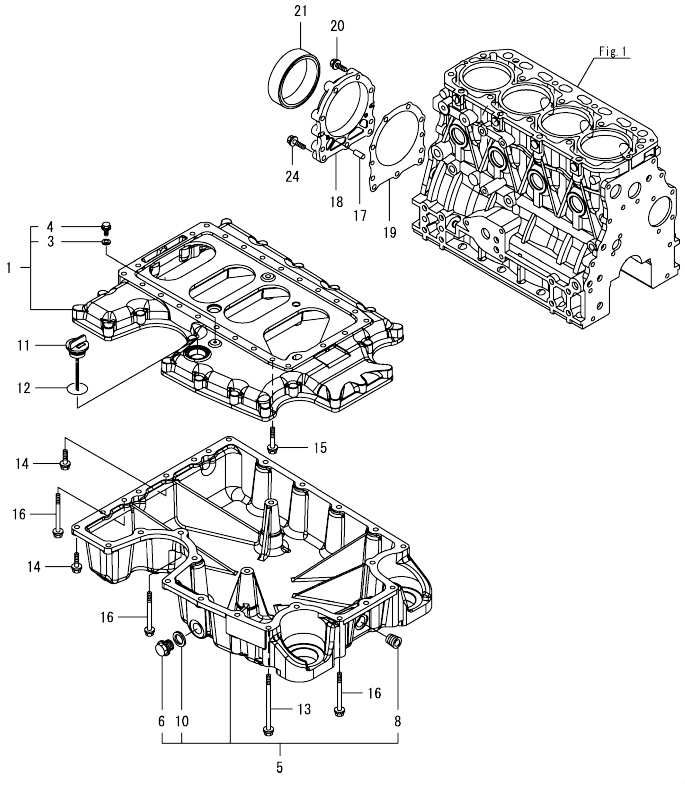
Fig.2. GEAR HOUSING



No.	Lev.	Parts No.	Description	Qty						I	R
				(A)	(B)	(C)	(D)	(E)	(F)		
1	1	129685-01490	CASE ASSY, GEAR	1							
3	1	129685-01550	COVER ASSY	1							
4	2	129685-01560	SPONGE, GEAR CASE	1							
5	2	129685-01571	COVER, HUSH	1							
6	1	119802-01561	BOLT, STUD M8X25	3							
7	1	129100-01580	PIN, PARALLEL 8X16	2							
8	1	129685-01590	COVER ASSY, GEAR CASE	1							
10	2	23876-010000	PLUG, R01	1							
11	2	23876-030000	PLUG, R03	2							
12	2	119934-01800	SEAL, OIL	1							
13	2	129155-51020	BOLT, STUD	3							
14	1	124160-01751	CAP, FILLER	1							
15	1	24311-000320	O-RING, 1AP32.0	1							
16	1	124240-01871	COVER, PUMP	1							
17	1	129795-01950	PIPE, DOWEL L=18	1							
18	1	129900-32030	O-RING, P20	2							
19	1	119609-32040	O-RING, P16	2							
20	1	129685-32100	COVER ASSY	1							
21	2	129685-32070	COVER	1							
22	2	129900-32130	VALVE, RELIEF	1							
23	2	129418-32320	SPRING	1							
24	2	129001-32330	PLUG	1							
25	1	119802-32111	ROTOR, INNER	1							
26	1	119802-32120	ROTOR, OUTER	1							
27	1	119802-32130	SCREW, M6X16	7							
28	1	121850-51960	O-RING	1							
29	1	26106-080852	BOLT, M8X 85 PLATED	7							
30	1	22190-080002	WASHER, SEAL 8	4							
31	1	26106-080122	BOLT, M8X 12 PLATED	1							
32	1	26106-080162	BOLT, M8X 16 PLATED	7							
33	1	26106-080452	BOLT, M8X 45 PLATED	1							
34	1	26106-080552	BOLT, M8X 55 PLATED	8							
35	1	26306-080002	NUT, M8	3							
37	1	152623-51860	COVER, FEED PUMP	1							
38	1	124410-51861	GASKET, FEED PUMP	1							
39	1	26366-060002	NUT, M6	3							

OCD50-M06250 ENGINE  
 Fig.3. OIL SUMP

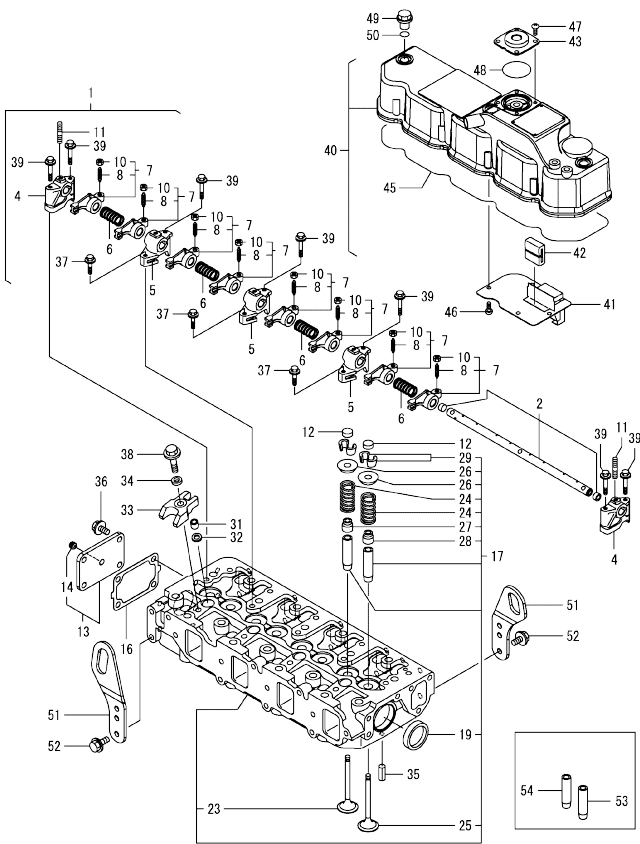
OCD50-M06250 Fig.3



No.	Lev.	Parts No.	Description	Q'ty						I	R
				(A)	(B)	(C)	(D)	(E)	(F)		
1	1	129636-01770	OIL PAN ASSY	1							
3	2	23414-060000	GASKET, 6X1.0	1							
4	2	26106-060102	BOLT, M6X 10 PLATED	1							
5	1	129636-01780	OIL PAN ASSY, BOTTOM	1							
6	2	119640-01640	PLUG, DRAIN M22	1							
8	2	124085-01771	PLUG, NPT1/2	1							
10	2	22190-220002	WASHER, SEAL 22	1							
11	1	129636-01791	COVER	1							
12	1	129486-01830	O-RING, P32	1							
13	1	26106-081202	BOLT, M8X120 PLATED	1							
14	1	26106-080252	BOLT, M8X 25 PLATED	14							
15	1	26106-080452	BOLT, M8X 45 PLATED	19							
16	1	26106-080902	BOLT, M8X 90 PLATED	13							
17	1	129100-01580	PIN, PARALLEL 8X16	2							
18	1	129486-01650	CASE, OIL SEAL	1							
19	1	129486-01660	GASKET	1							
20	1	129486-01670	BOLT, M8X30	6							
21	1	129486-01780	SEAL, OIL	1							
24	1	26106-080352	BOLT, M8X 35 PLATED	3							

N:Old  $\frac{New}{Old}$  New, Q:Old  $\frac{New}{Old}$  New, R:Old  $\frac{New}{Old}$  New, S:Old  $\frac{New}{Old}$  New, W:Add, Z:Discontinued, F:Interchangeable by set, K:Q'ty Change  
 Copyright (C) 2020 YANMAR GLOBAL CS CO., LTD. All Rights Reserved.

Fig.4. CYLINDER HEAD & BONNET



(A)=4TNV88-STFR  
(B)=  
(C)=

(D)=  
(E)=  
(F)=

No.	Lev.	Parts No.	Description	Q'ty						I	R
				(A)	(B)	(C)	(D)	(E)	(F)		
1	1	129601-11241	SHAFT ASSY, ROCKER	1							
2	2	129601-11251	SHAFT, ROCKER ARM	1							
4	2	119802-11260	SUPPORT, ROCKER ARM	2							
5	2	119802-11270	SUPPORT, ROCKER ARM	3							
6	2	129150-11280	SPRING, ROCKER	4							
7	2	129004-11650	ARM ASSY, ROCKER	8							
8	3	129150-11230	SCREW, VALVE ADJUST	8							
10	3	129150-11750	NUT, M8	8							
11	2	26226-080182	STUD, M8X 18	3							
12	1	129150-11370	CAP, VALVE	8							
13	1	129486-11670	FLANGE ASSY	1							
14	2	119285-01731	PLUG, NPT1/8	1							
16	1	129486-11681	GASKET	1							
17	1	129685-11700	HEAD ASSY, CYLINDER	1							
19	2	119885-01990	PLUG, 40	1							
23	2	129100-11112	VALVE, EXHAUST	4							
24	2	129486-11120	SPRING, VALVE	8							
25	2	129004-11130	VALVE, SUCTION	4							
26	2	129795-11180	RETAINER, SPRING	8							
27	2	121400-11340	SEAL, VALVE STEM	4							
28	2	124460-11340	SEAL, VALVE STEM	4							
29	2	27310-080001	COTTER, 8	8							
31	1	119802-11870	PROTECTOR, NOZZLE	4							
32	1	119625-11880	SEAT, NOZZLE	4							
33	1	129004-11900	RETAINER, NOZZLE	4							
34	1	120270-54410	WASHER, INJECTOR	4							
35	1	22351-060012	PIN, SPRING 6.0X12	2							
36	1	26106-080162	BOLT, M8X 16 PLATED	4							
37	1	26106-080252	BOLT, M8X 25 PLATED	3							
38	1	26106-080352	BOLT, M8X 35 PLATED	4							
39	1	26106-080502	BOLT, M8X 50 PLATED	7							
40	1	129685-11351	BONNET ASSY, HEAD	1							
41	2	129685-03010	PLATE	1							
42	2	129150-03070	BAFFLE, BREATHER	1							
43	2	129006-03120	COVER, DIAPHRAGM	1							
45	2	129601-11310	GASKET, BONNET	1							
46	2	22857-500100	SCREW, 5X10	4							
47	2	22857-500100	SCREW, 5X10	4							
48	2	24341-000400	O-RING, 1AS40.0	1							
49	1	124160-11360	KNOB	3							
50	1	24311-000120	O-RING, 1AP12.0	3							
51	1	129486-07930	LIFTER, ENGINE	2							
52	1	26106-080142	BOLT, M8X 14 PLATED	4							
53	1	120130-11860	GUIDE, VALVE	4							1
54	1	129150-11810	GUIDE, VALVE	4							1

Remarks  
(1)Spare parts.

Fig.5. SUCTION MANIFOLD

(A)=4TNV88-STFR  
(B)=  
(C)=

(D)=  
(E)=  
(F)=

No.	Lev.	Parts No.	Description	Q'ty						I	R
				(A)	(B)	(C)	(D)	(E)	(F)		
1	1	129005-03080	HOSE ASSY. BREATHER	1							
2	2	129410-03990	CLAMP, HOSE 21.5	2							
3	1	129602-12101	MANIFOLD, AIR INTAKE	1							
4	1	129407-12110	GASKET, MANIFOLD	1							
5	1	26106-080202	BOLT, M8X 20 PLATED	6							
6	1	26106-080802	BOLT, M8X 80 PLATED	1							
7	1	129486-12581	JOINT, MANIFOLD	1							
8	1	129579-77500	HEATER	1							
9	1	129100-77510	GASKET, AIR HEATER	1							
10	1	129150-77511	GASKET, AIR HEATER	1							
11	1	26106-080402	BOLT, M8X 40 PLATED	4							

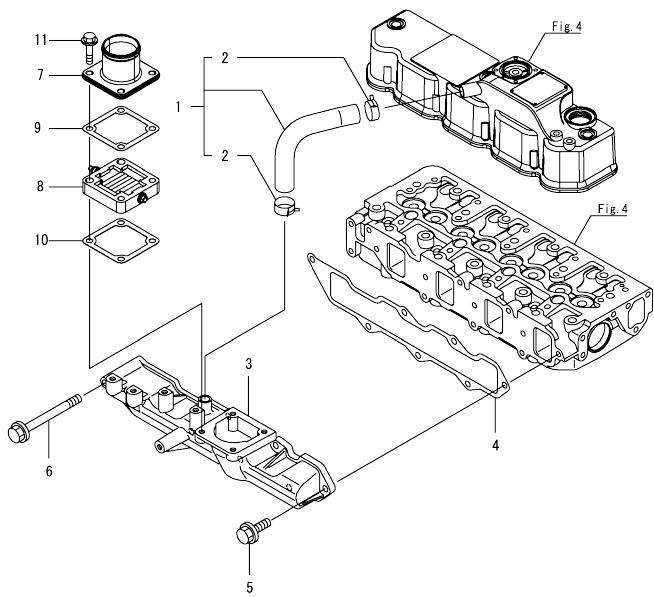
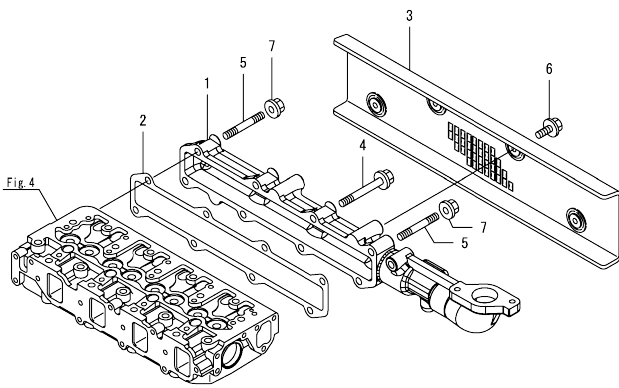




Fig.6. EXHAUST MANIFOLD

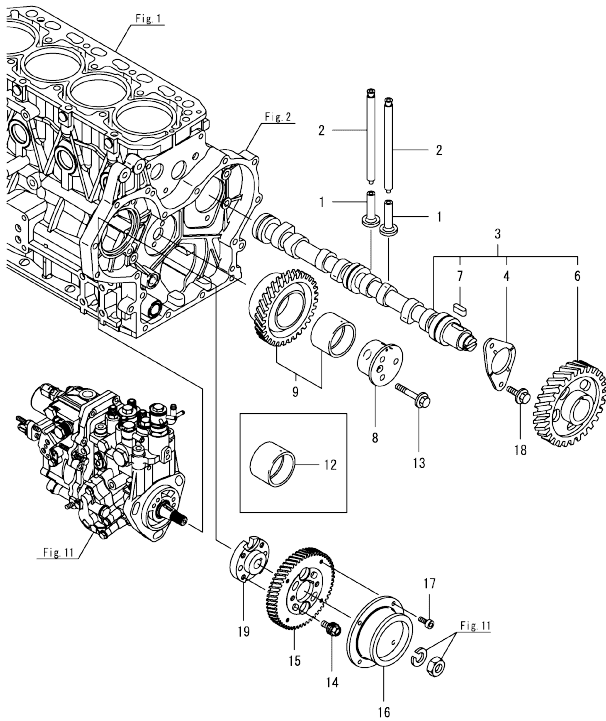


(A)=4TNV88-STFR  
(B)=  
(C)=

(D)=  
(E)=  
(F)=

No.	Lev.	Parts No.	Description	Q'ty					
				(A)	(B)	(C)	(D)	(E)	(F)
1	1	129636-13100	MANIFOLD, EXHAUST	1					
2	1	129407-13110	GASKET, EXH.MANIFOLD	1					
3	1	129636-13400	COVER, MANIFOLD	1					
4	1	129E00-13620	BOLT, M8X40 10.9		7				
5	1	119802-13710	BOLT, STUD M8X40		2				
6	1	26106-060162	BOLT, M6X 16 PLATED		4				
7	1	26306-080002	NUT, M8		2				

Fig.7. CAMSHAFT & DRIVING GEAR



(A)=4TNV88-STFR  
(B)=  
(C)=

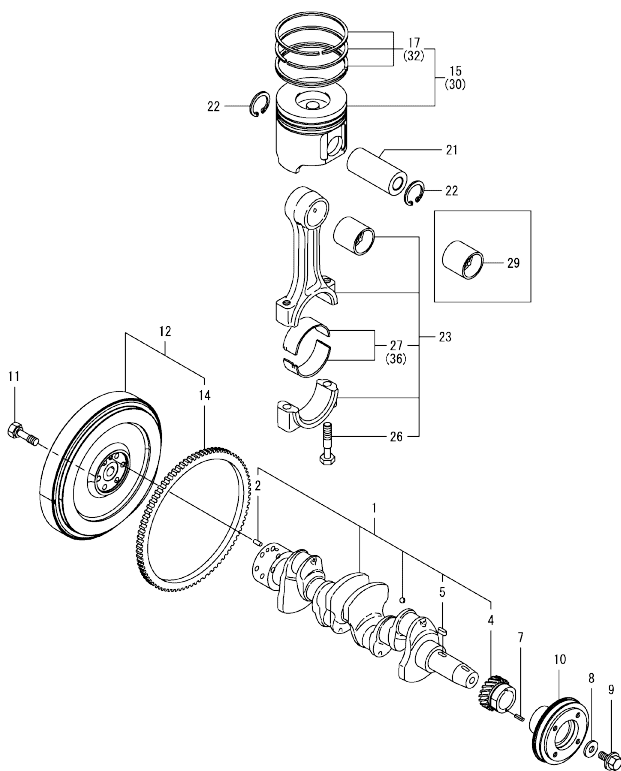
(D)=  
(E)=  
(F)=

No.	Lev.	Parts No.	Description	Q'ty						I	R
				(A)	(B)	(C)	(D)	(E)	(F)		
1	1	129150-14200	TAPPET	8							
2	1	129150-14400	PUSH-ROD, L=178	8							
3	1	129486-14580	CAMSHAFT ASSY	1							
4	2	129150-02450	BEARING, THRUST	1							
6	2	129150-14101	GEAR, CAMSHAFT	1							
7	2	22512-070140	KEY, 7X 14	1							
8	1	129685-25060	SHAFT, IDLE	1							
9	1	119802-25101	GEAR ASSY, IDLE	1							
12	1	119802-25071	BUSH, IDLE GEAR	1							1
13	1	26106-080402	BOLT, M8X 40 PLATED	3							
14	1	129150-25301	BOLT	4							
15	1	129685-25900	GEAR, PUMP	1							
16	1	129685-25930	CAM, FEED PUMP	1							
17	1	26450-060162	BOLT, M6X 16	4							
18	1	26106-080142	BOLT, M8X 14 PLATED	2							
19	1	158552-51151	FLANGE	1							

Remarks

(1)Spare parts.

Fig.8. CRANKSHAFT & PISTON



(A)=4TNV88-STFR  
(B)=  
(C)=

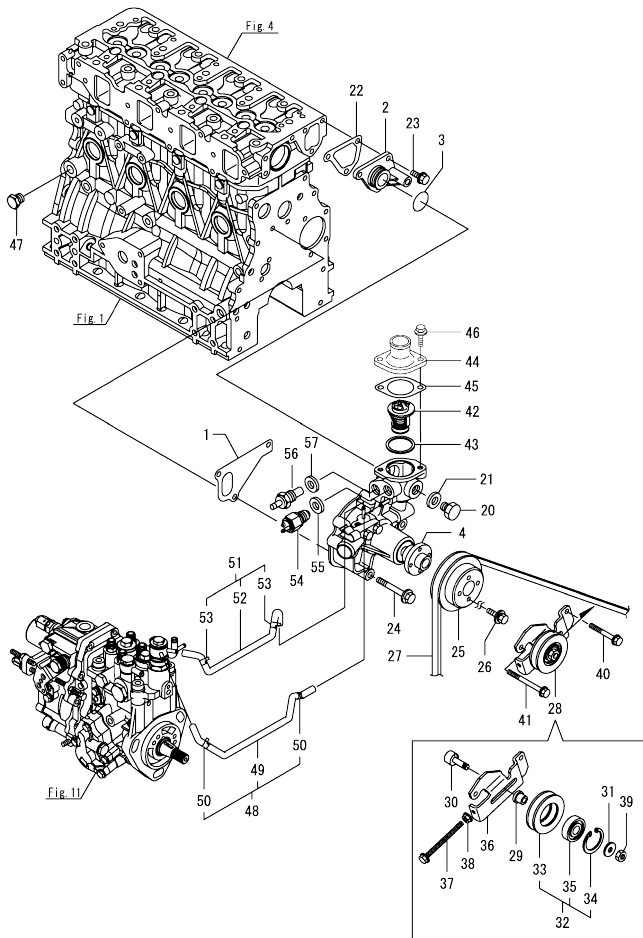
(D)=  
(E)=  
(F)=

No.	Lev.	Parts No.	Description	Q'ty						I	R
				(A)	(B)	(C)	(D)	(E)	(F)		
1	1	129601-21002	CRANKSHAFT ASSY	1							
2	2	129100-01580	PIN, PARALLEL 8X16	1							
4	2	119802-21202	GEAR, CRANKSHAFT	1							
5	2	22512-070140	KEY, 7X 14	1							
7	1	22351-030010	PIN, SPRING 3.0X10	1							
8	1	129795-21661	WASHER	1							
9	1	121850-21680	BOLT	1							
10	1	129685-21720	PULLEY, DAMPER	1							
11	1	121111-21501	BOLT, FLYWHEEL	6							
12	1	129636-21600	FLYWHEEL ASSY	1							
14	2	129686-21600	GEAR, RING Z=98	1							
15	1	129636-22080	PISTON ASSY	4							
17	2	129636-22500	RING SET, PISTON	4							
21	1	129202-22300	PIN, PISTON D26 L70	4							
22	1	22252-000260	RING, 26	8							
23	1	729402-23100	ROD ASSY, CONNECTING	4							
26	2	121550-23200	BOLT, CONNECTING ROD	8							
27	2	129150-23601	BEARING, CRANK PIN	4							
29	1	129100-23910	BEARING, PISTON PIN	4							1
30	1	129636-22900	PISTON ASSY, 0.25 OS	4							2
32	2	129636-22950	RING SET, 0.25 OS	4							2
36	1	129150-23611	BEARING, 0.25 US	4							3

Remarks  
(1) Spare parts.  
(2) Over-sized (O.S.=0.25) parts.  
(3) Under-sized (U.S.=0.25) parts.



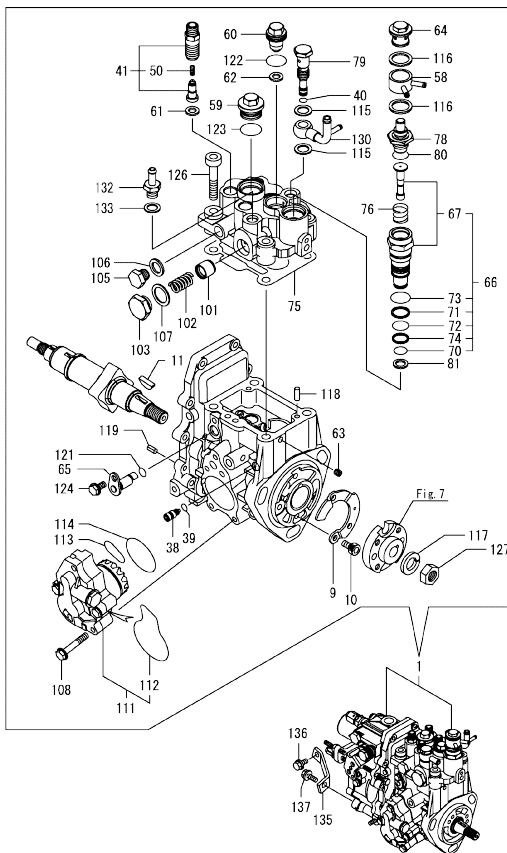
Fig.10. COOLING WATER SYSTEM



No.	Lev.	Parts No.	Description	Q'ty						I	R
				(A)	(B)	(C)	(D)	(E)	(F)		
1	1	129486-42021	GASKET, WATER PUMP	1							
2	1	129486-42040	JOINT,CW-P	1							
3	1	129486-42140	O-RING,G 30	1							
4	1	129636-42140	PUMP ASSY, CW	1							
20	1	121450-42450	PLUG, M16	1							
21	1	124465-44950	GASKET, 16	1							
22	1	129486-49840	GASKET, THERMO CASE	1							
23	1	26106-080162	BOLT, 8 X 16	3							
24	1	26106-080602	BOLT, 8 X 60	3							
25	1	119515-42350	V-PULLEY, D=110	1							
26	1	26014-060162	BOLT, M6X 16	4							
27	1	129636-42290	V-BELT, A31	1							
28	1	129636-42501	TENSION ASSY, DRIVE	1							
29	2	129636-42540	SPACER	1							
30	2	129636-42550	BOLT	1							
31	2	129636-42570	WASHER, 10	1							
32	2	129636-42590	PULLEY ASSY, TENSION	1							
33	3	129636-42530	PULLEY, TENSION	1							
34	3	22252-000470	RING, 47	1							
35	3	24104-063034	BEARING, BALL 6303UU	1							
36	2	129636-42611	SUPPORT, PULLEY	1							
37	2	26106-081004	BOLT, M8X100 PLATED	1							
38	2	26366-080002	NUT, M8	1							
39	2	26756-100002	NUT, LOCK M10	1							
40	1	26106-080652	BOLT, M8X 65 PLATED	1							
41	1	26106-080902	BOLT, M8X 90 PLATED	1							
42	1	129155-49801	THERMOSTAT, 71C	1							
43	1	129150-49811	GASKET, THERMOSTAT	1							
44	1	129350-49530-1	COVER, THERMOSTAT	1							
45	1	129795-49551	GASKET	1							
46	1	26106-080222	BOLT, 8 X 22	2							
47	1	171056-49120	PLUG, DRAIN R1/4	1							
48	1	129636-49780	PIPE ASSY, WATER	1							
49	2	129004-49711	HOSE, WATER	1							
50	2	124722-59050	CLAMP, HOSE 9	2							
51	1	129636-49790	PIPE ASSY, WATER	1							
52	2	129636-49720	PIPE ASSY, WATER	1							
53	2	124722-59050	CLAMP, HOSE 9	2							
54	1	121250-44901	SWITCH, THERMO 110	1							
55	1	124465-44950	GASKET, 16	1							
56	1	124250-49351	SENDER, TEMPERATURE	1							
57	1	129150-49360	GASKET,10	1							

N:Old  $\frac{100}{100}$  New, Q:Old  $\frac{100}{100}$  New, R:Old  $\frac{100}{100}$  New, S:Old  $\frac{100}{100}$  New, W:Add, Z:Discontinued, F:Interchangeable by set, K:Q'ty Change  
 Copyright (C) 2020 YANMAR GLOBAL CS CO., LTD. All Rights Reserved.

Fig.11. FUEL INJECTION PUMP



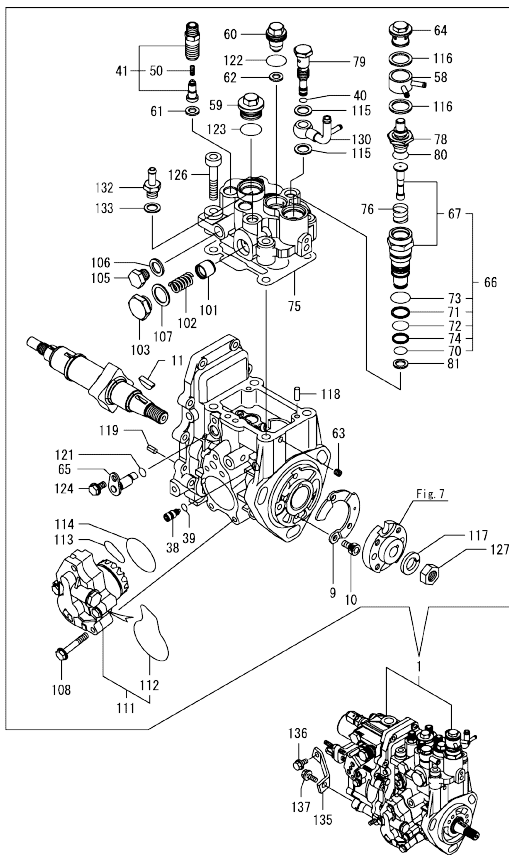
Remarks

(1)Governor(Fig.12) is incorporated in this Fuel Injection Pump(No.1).

No.	Lev.	Parts No.	Description	Q'ty						I	R
				(A)	(B)	(C)	(D)	(E)	(F)		
1	1	729636-51300	FIE ASSY	1							1
9	2	129008-51900	COVER, PUMP	1							
10	2	129008-51920	BOLT, SOCKET M6X10	2							
11	2	119802-51090	FEATHER KEY, 4X16	1							
38	2	158600-51270	STOPPER, TAPPET	1							
39	2	158563-51281	O-RING, 4D S6	1							
40	2	158563-51281	O-RING, 4D S6	1							
41	2	129509-51390	VALVE ASSY, DELIVERY	4							
50	3	158563-51330	SPRING, DELIVERY	4							
58	2	158553-51551	JOINT, COOLING WATER	1							
59	2	158601-51550	PLUG, M22	1							
60	2	119802-51560	PLUG, M14	1							
61	2	158552-51571	GASKET, PLUG	4							
62	2	158552-51571	GASKET, PLUG	1							
63	2	158557-51570	PLUG, RACK	1							
64	2	158601-51570	PLUG	1							
65	2	158552-51580	LIFTER, LINK	1							
66	2	119802-51590	TIMER ASSY	1							
67	3	119802-51600	TIMER ASSY	1							
70	3	158553-51670	O-RING	1							
71	3	119802-51680	RING, BACKUP	1							
72	3	119802-51690	O-RING	1							
73	3	24356-190200	O-RING, 4D19020	1							
74	3	24372-000150	RING, BACK UP T2P15	1							
75	2	158552-51600	GASKET	1							
76	2	158553-51630	SPRING, TIMER	1							
78	2	158553-51640	THERMOELEMENT	1							
79	2	158601-51650	JOINT, OVER FLOW	1							
80	2	158553-51660	O-RING, P14	1							
81	2	158553-51680	GASKET, TIMER	1							
101	2	158601-51770	PISTON, ACCUMULATOR	1							
102	2	158552-51781	SPRING, ACCUMULATOR	1							
103	2	158601-51790	PLUG	1							
105	2	158553-51930	PLUG, M12	1							
106	2	22190-120002	WASHER, SEAL 12	1							
107	2	22190-180002	WASHER, SEAL 18	1							
108	2	158553-51770	BOLT	4							
111	2	158552-52200	PUMP ASSY, FUEL FEED	1							
112	3	158552-52500	O-RING	1							
113	2	158552-52311	O-RING	1							
114	2	158552-52400	O-RING, 4E S42	1							
115	2	22190-120002	WASHER, SEAL 12	2							
116	2	22190-180002	WASHER, SEAL 18	2							
117	2	22217-140000	WASHER, SPRING 14	1							
118	2	22312-050140	PIN, PARALLEL 5X14	2							
119	2	22351-050010	PIN, SPRING 5.0X10	2							
121	2	24311-000070	O-RING, 1AP7.0	1							
122	2	24356-190180	O-RING, 4D19018	1							
123	2	24356-190200	O-RING, 4D19020	1							
124	2	26106-060102	BOLT, M6X 10 PLATED	1							
126	2	26450-080452	BOLT, M8X 45	4							

N:Old  $\frac{New}{Old}$  New, Q:Old  $\frac{New}{Old}$  New, R:Old  $\frac{New}{Old}$  New, S:Old  $\frac{New}{Old}$  New, W:Add, Z:Discontinued, F:Interchangeable by set, K:Q'ty Change  
 ++ CONTINUE ++  
 Copyright (C) 2020 YANMAR GLOBAL CS CO., LTD. All Rights Reserved.

Fig.11. FUEL INJECTION PUMP



(A)=4TNV88-STFR  
(B)=  
(C)=

(D)=  
(E)=  
(F)=

No.	Lev.	Parts No.	Description	Q'ty						I	R
				(A)	(B)	(C)	(D)	(E)	(F)		
127	2	26776-140002	NUT, LOCK M14	1							
130	2	158552-51670	JOINT, OVER FLOW	1							
132	2	119934-69910	JOINT, PIPE	1							
133	2	22190-120002	WASHER, SEAL 12	1							
135	1	129601-51250	RETAINER, PUMP	1							
136	1	26106-080162	BOLT, M8X 16 PLATED	1							
137	1	26106-080202	BOLT, M8X 20 PLATED	1							

Remarks

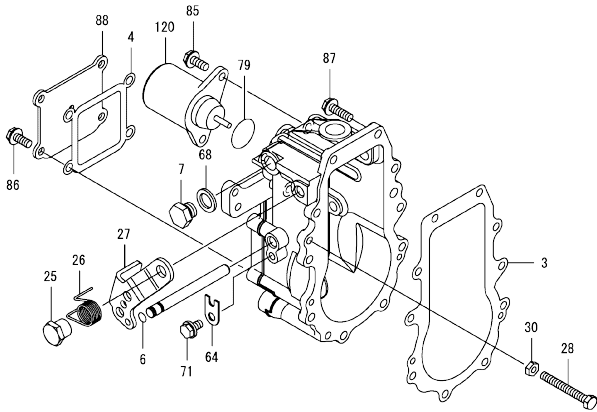
(1)Governor(Fig.12) is incorporated in this Fuel Injection Pump(No.1).

OCD50-M06250 ENGINE  
 Fig.12. GOVERNOR

OCD50-M06250 Fig.12

(A)=4TNV88-STFR  
 (B)=  
 (C)=

(D)=  
 (E)=  
 (F)=



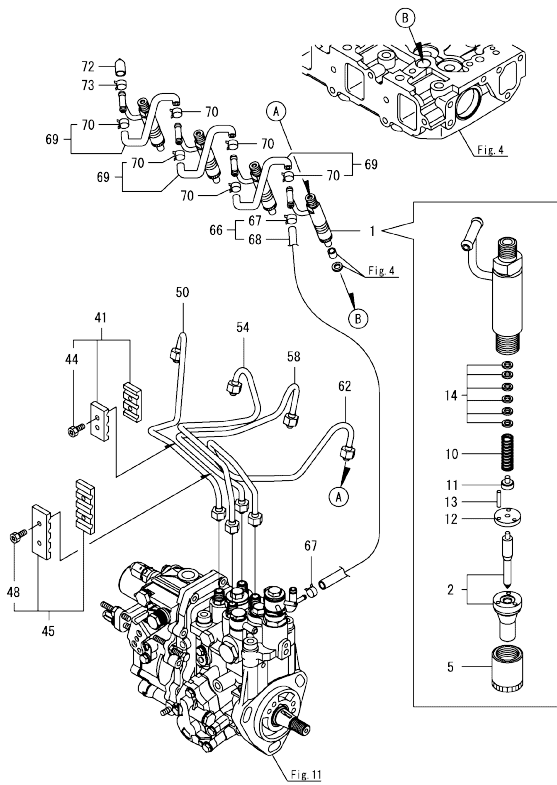
No.	Lev.	Parts No.	Description	Q'ty						I	R
				(A)	(B)	(C)	(D)	(E)	(F)		
3	2	158553-61050	GASKET	1							
4	2	158553-61070	GASKET	1							
6	2	129155-51280	O-RING, S6	1							
7	2	158553-51930	PLUG, M12	1							
25	2	129255-61410	NUT, M8	1							
26	2	119807-61420	SPRING, RETURN	1							
27	2	158552-61441	LEVER, REGULATOR	1							
28	2	129155-61461	BOLT, IDLE LIMIT	1							
30	2	119740-61470	NUT	1							
64	2	119660-61901	STOPPER, SHAFT	1							
68	2	22190-120002	WASHER, SEAL 12	1							
71	2	26106-060102	BOLT, M6X 10 PLATED	1							
79	2	158552-61900	O-RING	1							
85	2	26106-060142	BOLT, M6X 14 PLATED	2							
86	2	26106-060142	BOLT, M6X 14 PLATED	4							
87	2	26106-060202	BOLT, M6X 20 PLATED	10							
88	2	129642-61060	COVER, GOVERNOR CASE	1							
120	2	129630-77900	SOLENOID, STOP	1							

Remarks  
 \* This figure(Governor) is incorporated in the Fuel Injection Pump(Fig.11).

N:Old  $\frac{100}{100}$  New, Q:Old  $\frac{100}{100}$  New, R:Old  $\frac{100}{100}$  New, S:Old  $\frac{100}{100}$  New, W:Add, Z:Discontinued, F:Interchangeable by set, K:Q'ty Change  
 Copyright (C) 2020 YANMAR GLOBAL CS CO., LTD. All Rights Reserved.



Fig.13. FUEL INJECTION VALVE



(A)=4TNV88-STFR  
(B)=  
(C)=

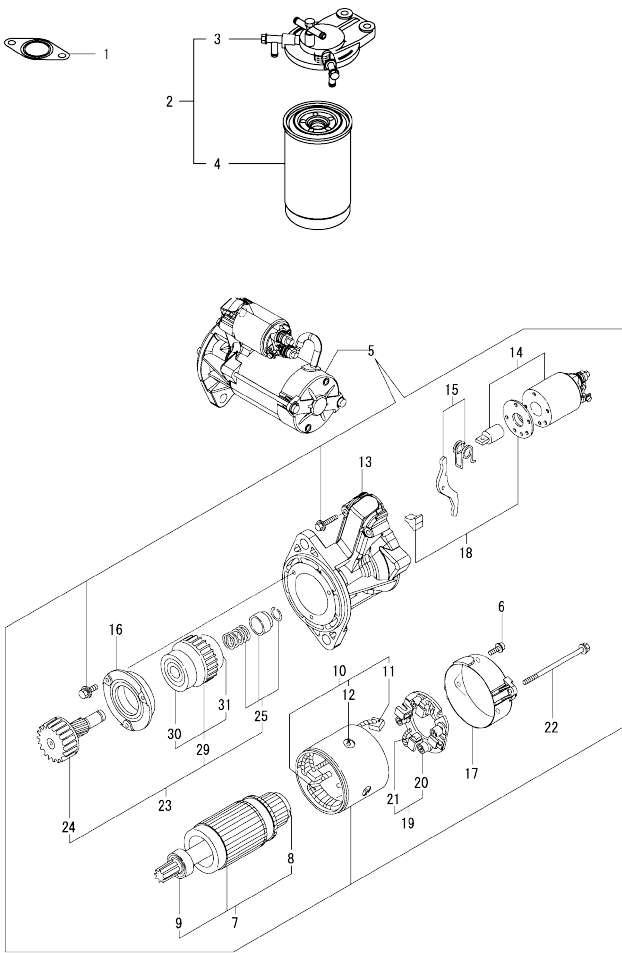
(D)=  
(E)=  
(F)=

No.	Lev.	Parts No.	Description	Q'ty						I	R
				(A)	(B)	(C)	(D)	(E)	(F)		
1	1	729642-53100	FUEL INJECTOR ASSY	4							
2	2	129640-53001	NOZZLE ASSY, F.I.	4							
5	2	114250-53080	NUT, NOZZLE	4							
10	2	114250-53120	SPRING, NOZZLE	4							
11	2	114250-53130	SEAT, SPRING	4							
12	2	114250-53140	SPACER	4							
13	2	114250-53210	PIN	8							
14	2	119803-53400	SHIM SET	4							1
41	1	129150-59120	RETAINER, PIPE	1							
44	2	129150-59131	BOLT, M4X14	2							
45	1	129550-59120	RETAINER, PIPE	1							
48	2	129150-59131	BOLT, M4X14	2							
50	1	129601-59810	PIPE ASSY, INJECTION	1							
54	1	129601-59820	PIPE ASSY, INJECTION	1							
58	1	129601-59830	PIPE ASSY, INJECTION	1							
62	1	129601-59840	PIPE ASSY, INJECTION	1							
66	1	129636-59561	PIPE ASSY, RETURN	1							
67	2	124060-77680	CLAMP, HOSE 10	2							
68	2	129636-59661	PIPE, FUEL	1							
69	1	129486-59581	HOSE, FUEL RETURN	3							
70	2	124060-77680	CLAMP, HOSE 10	6							
72	1	119593-59581	CAP	1							
73	1	124060-77680	CLAMP, HOSE 10	1							

Remarks

(1)Spare parts.

Fig.14. ACCESSORY

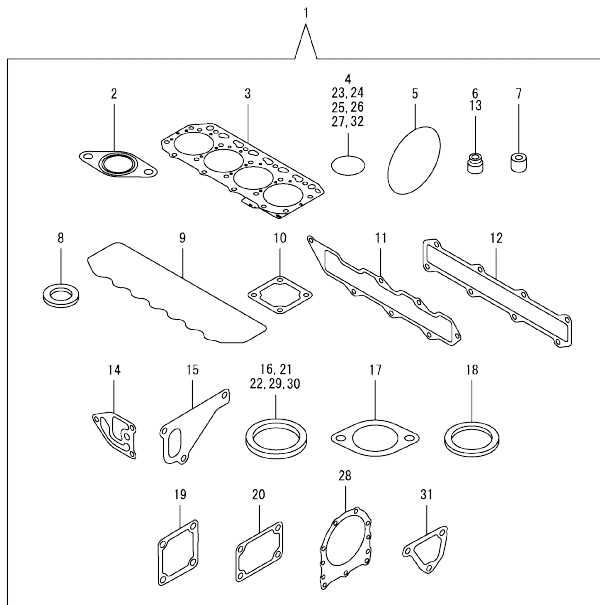


(A)=4TNV88-STFR  
(B)=  
(C)=

(D)=  
(E)=  
(F)=

No.	Lev.	Parts No.	Description	Q'ty						I	R
				(A)	(B)	(C)	(D)	(E)	(F)		
1	1	129636-13200	GASKET,EXH	1							
2	1	129940-55620	FILTER ASSY, FUEL	1							
3	2	119934-55611	BRACKET, FILTER	1							
4	2	129907-55801	FILTER, FUEL OIL	1							
5	1	129687-77010	STARTER, 12V-2.3KW	1							
6	2	129940-77280	SCREW M4X10	2							
7	2	129685-77400	ARMATURE ASSY	1							
8	3	171008-77410	BEARING	1							
9	3	171008-77420	BEARING	1							
10	2	129687-77440	COIL ASSY, FIELD	1							
11	3	129900-77450	BRUSH, +	2							
12	3	171008-77450	SCREW	4							
13	2	129687-77520	CASE, GEAR	1							
14	2	129685-77530	SWITCH ASSY, MAGNET	1							
15	2	129685-77540	LEVER SET, SHIFT	1							
16	2	129685-77550	RETAINER, BEARING	1							
17	2	129687-77560	COVER, REAR	1							
18	2	129685-77570	COVER KIT, DUST	1							
19	2	129685-77580	HOLDER ASSY, BRUSH	1							
20	3	X2130631300	SPRING, BRUSH	1							
21	3	129900-77450	BRUSH, +	2							
22	2	129685-77640	BOLT, THROUGH	2							
23	2	129685-77650	CLUTCH ASSY, PINION	1							
24	3	129685-77660	SHAFT, PINION	1							
25	4	171008-77670	STOPPER SET	1							
29	3	129685-77720	CLUTCH ASSY	1							
30	4	X2114555020	BEARING, BALL	1							
31	4	X2114955020	BEARING, BALL	1							

Fig.15. GASKET SET



(A)=4TNV88-STFR  
(B)=  
(C)=

(D)=  
(E)=  
(F)=

No.	Lev.	Parts No.	Description	Q'ty						I	R
				(A)	(B)	(C)	(D)	(E)	(F)		
1	1	729685-92610	GASKET SET	1							1
2	2	129636-13200	GASKET	3							
3	2	129685-01330	GASKET, HEAD	1							
4	2	129486-42140	O-RING, G30	1							
5	2	121850-51960	O-RING	1							
6	2	124460-11340	SEAL, VALVE STEM	4							
7	2	119802-11870	PROTECTOR, NOZZLE	4							
8	2	119625-11880	SEAT, NOZZLE	4							
9	2	129601-11310	GASKET, BONNET	1							
10	2	129150-77511	GASKET, AIR HEATER	1							
11	2	129407-12110	GASKET, MANIFOLD	1							
12	2	129407-13110	GASKET, EXH.MANIFOLD	1							
13	2	121400-11340	SEAL, VALVE STEM	4							
14	2	129103-35122	GASKET	1							
15	2	129486-42021	GASKET, WATER PUMP	1							
16	2	124465-44950	GASKET, 16	3							
17	2	129795-49551	GASKET	1							
18	2	129150-49811	GASKET, THERMOSTAT	1							
19	2	129100-77510	GASKET, AIR HEATER	1							
20	2	129486-11681	GASKET	1							
21	2	22190-100002	WASHER, SEAL 10	2							
22	2	22190-080002	WASHER, SEAL 8	6							
23	2	24311-000120	O-RING, 1AP12.0	3							
24	2	24341-000400	O-RING, 1AS40.0	1							
25	2	129900-32030	O-RING, P20	3							
26	2	119609-32040	O-RING, P16	2							
27	2	129486-01830	O-RING, P32	1							
28	2	129486-01660	GASKET	1							
29	2	22190-220002	WASHER, SEAL 22	1							
30	2	23414-060000	GASKET, 6X1.0	1							
31	2	129486-49840	GASKET	1							
32	2	24341-000315	O-RING, 1AS31.5	1							

Remarks

(1)Optional parts.

## Parts No. Index

Parts No.	Fig. No.	Ref. No.	Parts No.	Fig. No.	Ref. No.	Parts No.	Fig. No.	Ref. No.	Parts No.	Fig. No.	Ref. No.
114250-53080	13	5	121850-21680	8	9	129150-02450	7	4	129486-14580	7	3
114250-53120	13	10	121850-51960	2	28	129150-02871	1	33	129486-42021	10	1
114250-53130	13	11		15	5	129150-02931	1	24		15	15
114250-53140	13	12	124060-01050	1	4	129150-02941	1	36	129486-42040	10	2
114250-53210	13	13	124060-77680	13	67	129150-03070	4	42	129486-42140	10	3
119285-01731	4	14			70	129150-11230	4	8		15	4
119309-01810	1	39			73	129150-11280	4	6	129486-49840	10	22
119515-42350	10	25	124085-01771	3	8	129150-11370	4	12		15	31
119593-59581	13	72	124160-01751	2	14	129150-11750	4	10	129486-59581	13	69
119609-32040	2	19	124160-01910	1	6	129150-11810	4	54	129509-51390	11	41
	15	26			7	129150-14101	7	6	129550-59120	13	45
119625-11880	4	32	124160-11360	4	49	129150-14200	7	1	129579-77500	5	8
	15	8	124160-39140	9	13	129150-14400	7	2	129601-11241	4	1
119640-01640	3	6	124240-01871	2	16	129150-23601	8	27	129601-11251	4	2
119660-61901	12	64	124250-49351	10	56	129150-23611	8	36	129601-11310	4	45
119740-61470	12	30	124410-51861	2	38	129150-25301	7	14		15	9
119802-01561	2	6	124460-11340	4	28	129150-49360	10	57	129601-21002	8	1
119802-11260	4	4		15	6	129150-49811	10	43	129601-51250	11	135
119802-11270	4	5	124465-44950	10	21		15	18	129601-59810	13	50
119802-11870	4	31			55	129150-59120	13	41	129601-59820	13	54
	15	7			56	129150-59131	13	44	129601-59830	13	58
119802-13710	6	5	124722-59050	10	50			48	129601-59840	13	62
119802-21202	8	4			53	129150-77511	5	10	129602-12101	5	3
119802-25071	7	12	127695-35150	9	10		15	10	129630-77900	12	120
119802-25101	7	9	129001-01250	1	5	129155-49801	10	42	129636-01770	3	1
119802-32111	2	25	129001-02931	1	30	129155-51020	2	13	129636-01780	3	5
119802-32120	2	26	129001-32330	2	24	129155-51280	12	6	129636-01791	3	11
119802-32130	2	27	129004-01190	1	27	129155-61461	12	28	129636-13100	6	1
119802-39450	9	14	129004-11130	4	25	129202-22300	8	21	129636-13200	14	1
119802-51090	11	11	129004-11650	4	7	129255-61410	12	25		15	2
119802-51560	11	60	129004-11900	4	33	129350-49530-1	10	44	129636-13400	6	3
119802-51590	11	66	129004-49711	10	49	129407-12110	5	4	129636-21600	8	12
119802-51600	11	67	129005-03080	5	1		15	11	129636-22080	8	15
119802-51680	11	71	129005-59830	9	15	129407-13110	6	2	129636-22500	8	17
119802-51690	11	72	129006-03120	4	43		15	12	129636-22900	8	30
119803-53400	13	14	129008-51900	11	9	129410-03990	5	2	129636-22950	8	32
119807-61420	12	26	129008-51920	11	10	129418-32320	2	23	129636-35090	9	2
119885-01990	4	19	129033-01770	9	6	129486-01650	3	18	129636-35100	9	5
119934-01800	2	12	129100-01580	1	40	129486-01660	3	19	129636-35200	9	8
119934-55611	14	3			2		15	28	129636-42140	10	4
119934-59910	11	132			3	129486-01670	3	20	129636-42290	10	27
120130-11860	4	53			8	129486-01780	3	21	129636-42501	10	28
120270-54410	4	34	129100-11112	4	23	129486-01830	3	12	129636-42530	10	33
121111-21501	8	11	129100-23910	8	29		15	27	129636-42540	10	29
121250-44901	10	54	129100-77510	5	9	129486-07930	4	51	129636-42550	10	30
121252-39450	9	12		15	19	129486-11120	4	24	129636-42570	10	31
121400-11340	4	27	129103-35122	9	9	129486-11670	4	13	129636-42590	10	32
	15	13		15	14	129486-11681	4	16	129636-42611	10	36
121450-42450	10	20	129150-01200	1	28		15	20	129636-49720	10	52
121550-23200	8	26	129150-02020	1	9	129486-12581	5	7	129636-49780	10	48

## Parts No. Index

Parts No.	Fig. No.	Ref. No.
129636-49790	10	51
129636-59561	13	66
129636-59661	13	68
129640-53001	13	2
129642-61060	12	88
129685-01330	1	29
	15	3
129685-01490	2	1
129685-01550	2	3
129685-01560	2	4
129685-01571	2	5
129685-01590	2	8
129685-03010	4	41
129685-11351	4	40
129685-11700	4	17
129685-21720	8	10
129685-25060	7	8
129685-25900	7	15
129685-25930	7	16
129685-32070	2	21
129685-32100	2	20
129685-77400	14	7
129685-77530	14	14
129685-77540	14	15
129685-77550	14	16
129685-77570	14	18
129685-77580	14	19
129685-77640	14	22
129685-77650	14	23
129685-77660	14	24
129685-77720	14	29
129686-21600	8	14
129687-77010	14	5
129687-77440	14	10
129687-77520	14	13
129687-77560	14	17
129795-01950	2	17
129795-02412	1	12
129795-11180	4	26
129795-21661	8	8
129795-49551	10	45
	15	17
129900-32030	2	18
	9	1
	15	25
129900-32130	2	22
129900-77450	14	11
		21
129907-55801	14	4
129940-55620	14	2

Parts No.	Fig. No.	Ref. No.
129940-77280	14	6
129E00-13620	6	4
152623-51860	2	37
158552-51151	7	19
158552-51571	11	61
		62
158552-51580	11	65
158552-51600	11	75
158552-51670	11	130
158552-51781	11	102
158552-52200	11	111
158552-52311	11	113
158552-52400	11	114
158552-52500	11	112
158552-61441	12	27
158552-61900	12	79
158553-51551	11	58
158553-51630	11	76
158553-51640	11	78
158553-51660	11	80
158553-51670	11	70
158553-51680	11	81
158553-51770	11	108
158553-51930	11	105
	12	7
158553-61050	12	3
158553-61070	12	4
158557-51570	11	63
158563-51281	11	39
		40
158563-51330	11	50
158600-51270	11	38
158601-51550	11	59
158601-51570	11	64
158601-51650	11	79
158601-51770	11	101
158601-51790	11	103
171008-77410	14	8
171008-77420	14	9
171008-77450	14	12
171008-77670	14	25
171051-01921	1	8
171056-49120	10	47
22190-080002	2	30
	9	16
		18
	15	22
22190-100002	9	19
	15	21
22190-120002	11	106

Parts No.	Fig. No.	Ref. No.
22190-120002	11	115
		133
	12	68
22190-180002	11	107
		116
22190-220002	3	10
	15	29
22217-140000	11	117
22252-000260	8	22
22252-000470	10	34
22312-050140	11	118
22351-030010	8	7
22351-050010	11	119
22351-060012	4	35
22512-070140	7	7
	8	5
22857-500100	4	46
		47
23414-060000	3	3
	15	30
23857-030000	9	17
23876-010000	2	10
23876-030000	2	11
24104-063034	10	35
24311-000070	11	121
24311-000120	4	50
	15	23
24311-000320	2	15
24341-000315	15	32
24341-000400	4	48
	15	24
24356-190180	11	122
24356-190200	11	73
		123
24372-000150	11	74
26014-060162	10	26
26106-060102	3	4
	11	124
	12	71
26106-060142	12	85
		86
26106-060162	6	6
26106-060202	12	87
26106-080122	2	31
26106-080142	4	52
	7	18
26106-080162	2	32
	4	36
	9	4
	10	23

Parts No.	Fig. No.	Ref. No.
26106-080162	11	136
26106-080202	5	5
	11	137
26106-080222	10	46
26106-080252	3	14
	4	37
	9	11
26106-080352	3	24
	4	38
26106-080402	5	11
	7	13
26106-080452	2	33
	3	15
26106-080502	4	39
26106-080552	2	34
26106-080602	10	24
26106-080652	10	40
26106-080802	5	6
26106-080852	2	29
26106-080902	3	16
	10	41
26106-081004	10	37
26106-081202	3	13
26226-080182	4	11
26306-080002	2	35
	6	7
26366-060002	2	39
	9	20
26366-080002	10	38
26450-060162	7	17
26450-080452	11	126
26756-100002	10	39
26776-140002	11	127
27241-120000	1	13
27241-300000	1	14
27310-080001	4	29
729402-23100	8	23
729602-01560	1	1
729636-51300	11	1
729642-53100	13	1
729685-92610	15	1
X2114555020	14	30
X2114955020	14	31
X2130631300	14	20