

0CW10-M33800EN

PREFACE

1. This parts catalog is the 1st edition of 4TNV88-BLKTF, 4TNV88-ULKTF for Tong Yang Moolsan Co.,Ltd.

Pub.No. : 000Y00W3380

Published : April,2008

2. Model name

Engine model	Vehicle		Vehicle made by
	Products	Model name	
4TNV88-BLKTF	Tractor	T433	Tong Yang Moolsan Co.,Ltd.
4TNV88-ULKTF		T403	

Directions for the Parts Catalog.

1. This Parts Catalog shows both standard and optional parts.
2. Parts may change without prior notice.
3. The following is an example of the Parts Catalog format.

REF.	LEV.	PARTS NO.	DESCRIPTION	Q'TY						I	R
				(A)	(B)	(C)	(D)	(E)	(F)		
1	1	729595-51390	FUEL INJECTION PUMP	1	1	1	1	1			1
1-1	1	729595-51391	FUEL INJECTION PUMP	1	1	1	1	1		N	1
		(A=E00185) (B=E00200)									
3	2	26022-060162	SCREW M 6X 16	9	9	9	9	9			
3-1	2	26022-060162	SCREW M 6X 16	4	4	4	4	4		K	
		(A=E00156) (B=E00156) (C=E00156) (D=E00156) (E=E00156)									
4	2	129470-51040	CAMSHAFT	1	1	1	1	1			
5	2	122710-51050	BEARING, ROLLER	2	2	2	2	2			
6	2	129470-51060	RETAINER	1	1	1	1	1			

Remarks
(1) BOOST COMPEMSATOR TYPE. OPTIONAL PART, TO E00155,(4JH-DT, 4JH-DTZ

① Ref. No.

The Ref. No. listed may not be in accordance with the illustration Ref. No.

(Ex.) Illustration No.

List Ref No.

1 1 (Before change) → 1-1 (After change)

For interchangeable symbols N, R and K, illustrations for new parts may be abbreviated.

② Lev. (Level)

Level indication

The numbers below indicate the level of relativity towards the main part.

1 ---- Main parts (Assembly parts)

2 ---- Sub component included in " 1 ".

3 ---- Sub component included in " 2 ".

Note) Parts that are not for sale are partially illustrated but not listed.

③ Interchangeability Symbol

When a part change takes place, one of the following interchangeability symbols is indicated beside the part.

Symbol	Interchangeability	Contents note
N	Old $\begin{matrix} \leftarrow \text{Yes} \\ \text{No} \rightarrow \end{matrix}$ New	New Part is interchangeable for Old Part but Old Part is not interchangeable for New Part.
Q	Old $\begin{matrix} \leftarrow \text{No} \\ \text{Yes} \rightarrow \end{matrix}$ New	New Part is not interchangeable for Old Part but Old Part is interchangeable for New Part.
R	Old $\begin{matrix} \leftarrow \text{Yes} \\ \text{Yes} \rightarrow \end{matrix}$ New	New/ Old Parts are both interchangeable.
S	Old $\begin{matrix} \leftarrow \text{No} \\ \text{No} \rightarrow \end{matrix}$ New	New/ Old Parts are both not interchangeable.
W		Part newly added.
Z		Part discontinued.
F		Not interchangeable by a single part but interchangeable together with related parts.
K		Changes only for used parts quantities.

④ Effective Machine No.

When a part changes, the effective Machine No. will be indicated in the (A)-(F) column.

Product Symbol	Product No.	Product Symbol	Product No.
C	Clutch No. Compressor No.	F	Machine No. (Agricultural Equip.)
D	Drive No.	M	Machine No.
E	Engine No.		

Note 1) A date may follow the symbol. (Ex.) 1996.01

Note 2) "XXXXX" and "ZZZZZ" are for parts that could not be predicted or for engine models that could not be identified.

Note 3) (A=E00185) is the E (Engine Serial Number) for the column (A) model (in this case 4JH-DT) after the parts design change.

⑤ Remarks

Figures or alphabets (symbols) are entered in the remarks column.

The comments (remarks) on parts that are indicated at the bottom of the illustration are the same symbols as those stated above.

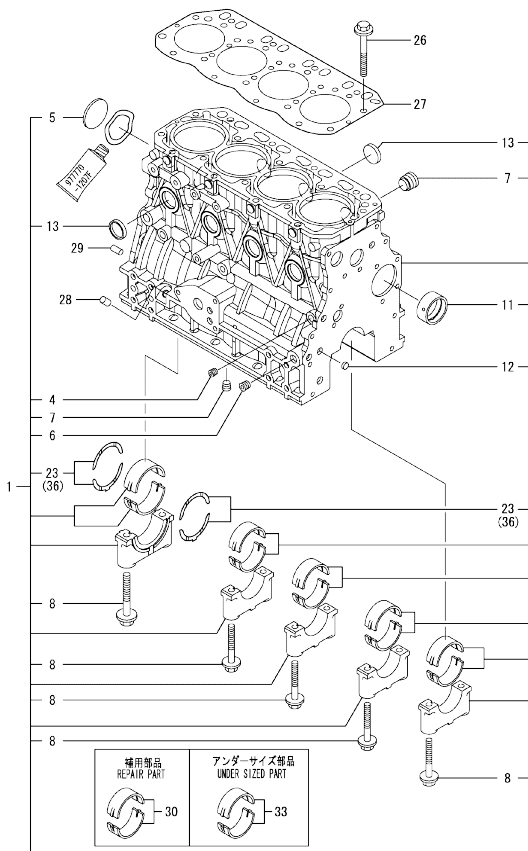
Contents

Fig. No.	Fig. Name
4TNV88-BLKTF,4TNV88-ULKTF	
1.	CYLINDER BLOCK
2.	GEAR HOUSING
3.	OIL SUMP
4.	CYLINDER HEAD & BONNET
5.	SUCTION MANIFOLD
6.	EXHAUST MANIFOLD
7.	CAMSHAFT & DRIVING GEAR
8.	CRANKSHAFT & PISTON
9.	BALANCER
10.	LUB.OIL SYSTEM
11.	COOLING WATER SYSTEM
12.	FUEL INJECTION PUMP
13.	GOVERNOR
14.	FUEL INJECTION VALVE
15.	FUEL LINE
16.	STARTING MOTOR
17.	GENERATOR
18.	GASKET SET

Fig. No.	Fig. Name
----------	-----------

0CW10-M33800

Fig.1. CYLINDER BLOCK



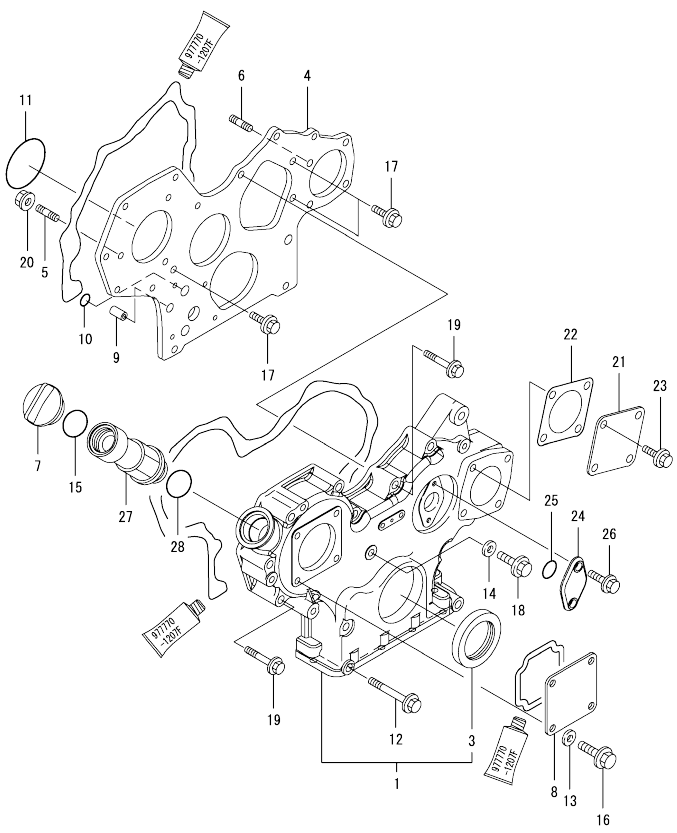
Remarks
 (1) REPAIR PART.
 (2) UNDER-SIZED(U.S=0.25)PART.
 (3) OVER-SIZED(O.S=0.25)PART.

No.	Lev.	Parts No.	Description	Q'ty						
				(A)	(B)	(C)	(D)	(E)	(F)	
1	1	729659-01590	BLOCK ASSY, CYLINDER	1	1					
4	2	124060-01050	PLUG, PT1/8	1	1					
5	2	129001-01250	PLUG, 50	1	1					
6	2	124160-01910	PLUG, PT1/4	2	2					
7	2	171051-01921	PLUG, NPTF1	1	1					
8	2	129150-02020	BOLT, METAL CAP	10	10					
11	2	129795-02412	BUSH, CAMSHAFT	1	1					
12	2	27241-120000	PLUG, 12	2	2					
13	2	27241-300000	PLUG 30	8	8					
23	2	129150-02931	BEARING, THRUST	2	2					
26	1	129150-01200	BOLT, HEAD	18	18					
27	1	129407-01340	GASKET, HEAD	1	1					
28	1	119309-01810	PLUG	1	1					
29	1	129100-01580	PIN, M8X16	2	2					
30	1	129001-02931	BEARING, MAIN	5	5					1
33	1	129150-02871	BEARING, 0.25 US	5	5					2
36	1	129150-02941	BEARING, THRUST 0.25	1	1					3

N:Old $\frac{100}{100}$ New, Q:Old $\frac{100}{100}$ New, R:Old $\frac{100}{100}$ New, S:Old $\frac{100}{100}$ New, W:Add, Z:Discontinued, F:Interchangeable by set, K:Qty Change
 Copyright (C) YANMAR CO., LTD. All Rights Reserved.

0CW10-M33800

Fig.2. GEAR HOUSING

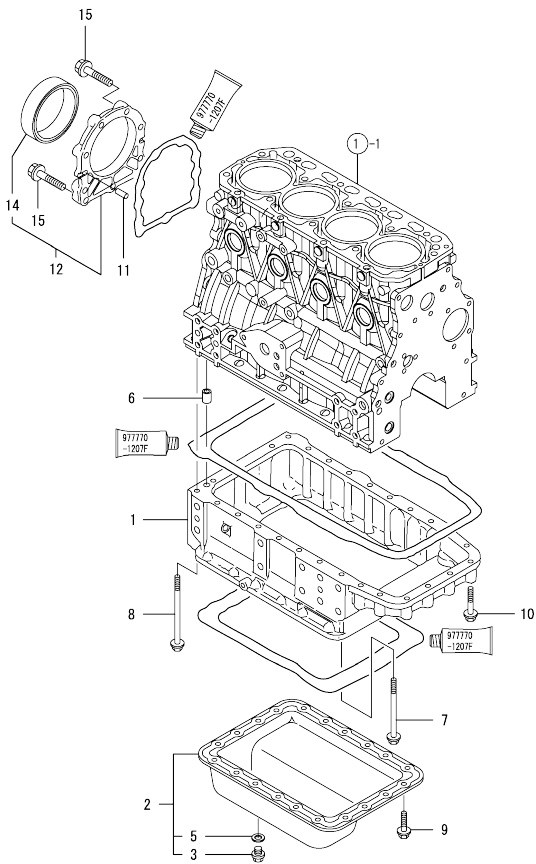


No.	Lev.	Parts No.	Description	Q'ty					
				(A)	(B)	(C)	(D)	(E)	(F)
1	1	729008-01500	CASE ASSY, GEAR	1	1				
3	2	119934-01800	SEAL, OIL	1	1				
4	1	129008-01520	FLANGE, GEAR CASE	1	1				
5	1	119802-01561	STUD, M8X25	3	3				
6	1	129150-01580	STUD, M8X30	1	1				
7	1	124160-01751	COVER, FILLER	1	1				
8	1	124240-01871	COVER	1	1				
9	1	129795-01950	PIPE, KNOCK L=18	2	2				
10	1	119609-32040	O-RING, P16	2	2				
11	1	121850-51960	O-RING	1	1				
12	1	129001-91841	BOLT, M8X85	3	3				
13	1	22190-080002	WASHER, SEAL 6	4	4				
14	1	22190-080002	WASHER, SEAL 6	1	1				
15	1	24311-000320	O-RING, 1AP32.0	1	1				
16	1	26106-080162	BOLT, M8X 16 PLATED	4	4				
17	1	26106-080162	BOLT, M8X 16 PLATED	3	3				
18	1	26106-080302	BOLT, M8X 30 PLATED	1	1				
19	1	26106-080552	BOLT, M8X 55 PLATED	10	10				
20	1	26306-080002	NUT, M8	3	3				
21	1	124240-01871	COVER	1	1				
22	1	124240-01883	GASKET	1	1				
23	1	26106-080162	BOLT, M8X 16 PLATED	4	4				
24	1	121023-01551	COVER	1	1				
25	1	24341-000240	O-RING, 1AS24.0	1	1				
26	1	26106-060162	BOLT, M6X 16 PLATED	2	2				
27	1	171031-11741	PIPE	1	1				
28	1	24311-000320	O-RING, 1AP32.0	1	1				

N:Old $\frac{100}{100}$ New, Q:Old $\frac{100}{100}$ New, R:Old $\frac{100}{100}$ New, S:Old $\frac{100}{100}$ New, W:Add, Z:Discontinued, F:Interchangeable by set, K:Q'ty Change
 Copyright (C) YANMAR CO., LTD. All Rights Reserved.

OCW10-M33800

Fig.3. OIL SUMP

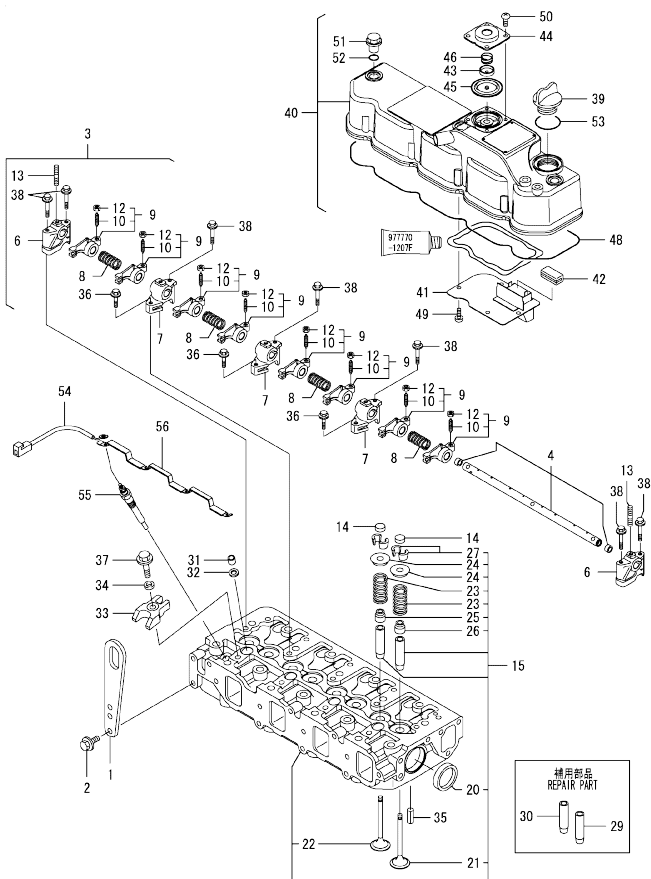


No.	Lev.	Parts No.	Description	Q'ty					
				(A)	(B)	(C)	(D)	(E)	(F)
1	1	129550-01702	SUMP, OIL	1	1				
2	1	729429-01721	SUMP ASSY, OIL	1	1				
3	2	105425-01690	PLUG, 16	1	1				
5	2	22190-160002	WASHER, SEAL 16	1	1				
6	1	129555-01750	PIPE, KNOCK 14X18	1	1				
7	1	129001-91870	BOLT, M8X100	14	14				
8	1	129001-91910	BOLT, M8X120	4	4				
9	1	26106-080122	BOLT, M8X 12 PLATED	20	20				
10	1	26106-080502	BOLT, M8X 50 PLATED	8	8				
11	1	129100-01580	PIN, M8X16	2	2				
12	1	129100-01640	CASE ASSY, OIL SEAL	1	1				
14	2	129795-01780	SEAL, OIL	1	1				
15	1	129486-01670	BOLT, M8X30	9	9				

N:Old $\frac{100}{100}$ New, Q:Old $\frac{100}{100}$ New, R:Old $\frac{100}{100}$ New, S:Old $\frac{100}{100}$ New, W:Add, Z:Discontinued, F:Interchangeable by set, K:Q'ty Change
 Copyright (C) YANMAR CO., LTD. All Rights Reserved.

OCW10-M33800

Fig.4. CYLINDER HEAD & BONNET



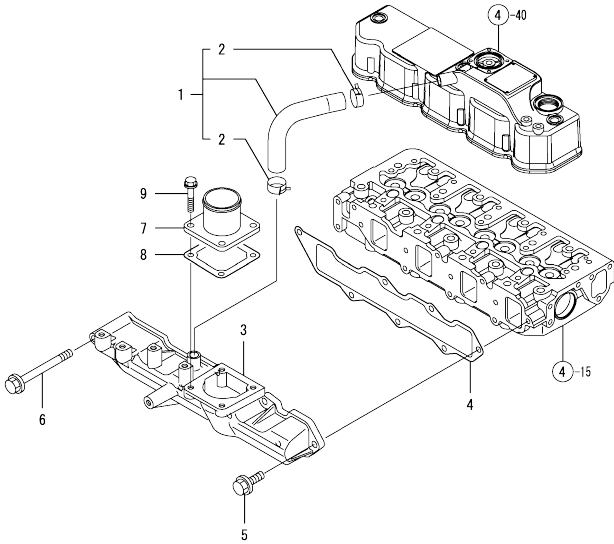
Remarks
(1) REPAIR PART.

No.	Lev.	Parts No.	Description	Q'ty						I	R
				(A)	(B)	(C)	(D)	(E)	(F)		
1	1	129900-07900	LIFTER	1	1						
2	1	26106-080162	BOLT, M8X 16 PLATED	2	2						
3	1	129601-11241	SHAFT ASSY, ROCKER	1	1						
4	2	129601-11251	SHAFT, ROCKER ARM	1	1						
6	2	119802-11260	SUPPORT, ROCKER ARM	2	2						
7	2	119802-11270	SUPPORT, ROCKER ARM	3	3						
8	2	129150-11280	SPRING	4	4						
9	2	129004-11650	ARM, ROCKER	8	8						
10	3	129150-11230	SCREW, VALVE ADJUST	8	8						
12	3	129150-11750	NUT, M8	8	8						
13	2	26226-080182	STUD, M8X 18	3	3						
14	1	129150-11370	CAP, VALVE	8	8						
15	1	129604-11700	HEAD ASSY, CYLINDER	1	1						
20	2	27241-400000	PLUG, 40	2	2						
21	2	129005-11100	VALVE, INTAKE	4	4						
22	2	129100-11112	VALVE, EXHAUST	4	4						
23	2	129795-11120	SPRING, VALVE	8	8						
24	2	129795-11180	RETAINER, SPRING	8	8						
25	2	121400-11340	SEAL, VALVE STEM	4	4						
26	2	124460-11340	SEAL, VALVE STEM	4	4						
27	2	27310-080001	COTTER, 8	8	8						
29	1	120130-11860	GUIDE, VALVE	4	4						1
30	1	129150-11810	GUIDE, VALVE	4	4						1
31	1	119802-11870	PROTECTOR, NOZZLE	4	4						
32	1	119625-11880	SEAT, NOZZLE	4	4						
33	1	129004-11900	RETAINER, NOZZLE	4	4						
34	1	120270-54410	WASHER, INJECTOR	4	4						
35	1	22351-060012	PIN, SPRING 6.0X12	2	2						
36	1	26106-080252	BOLT, M8X 25 PLATED	3	3						
37	1	26106-080352	BOLT, M8X 35 PLATED	4	4						
38	1	26106-080502	BOLT, M8X 50 PLATED	7	7						
39	1	124160-01751	COVER, FILLER	1	1						
40	1	129601-11350	BONNET ASSY, HEAD	1	1						
41	2	129004-03010	PLATE	1	1						
42	2	129150-03070	BAFFLE, BREATHER	1	1						
43	2	119802-03110	PLATE	1	1						
44	2	119802-03121	COVER, DIAPHRAGM	1	1						
45	2	119802-03130	DIAPHRAGM	1	1						
46	2	119802-03141	SPRING, DIAPHRAGM	1	1						
48	2	129601-11310	GASKET, BONNET	1	1						
49	2	22857-500100	SCREW, 5X10	4	4						
50	2	22857-500100	SCREW, 5X10	4	4						
51	1	124160-11360	KNOB	3	3						
52	1	24311-000120	O-RING, 1AP12.0	3	3						
53	1	24311-000320	O-RING, 1AP32.0	1	1						
54	1	119803-77830	HARNES, WIRE	1	1						
55	1	129008-77800	PLUG, GLOW	4	4						
56	1	129604-77821	CONNECTOR, GLOW PLUG	1	1						

N:Old $\frac{100}{100}$ New, Q:Old $\frac{100}{100}$ New, R:Old $\frac{100}{100}$ New, S:Old $\frac{100}{100}$ New, W:Add, Z:Discontinued, F:Interchangeable by set, K:Q'ty Change
Copyright (C) YANMAR CO., LTD. All Rights Reserved.

OCW10-M33800

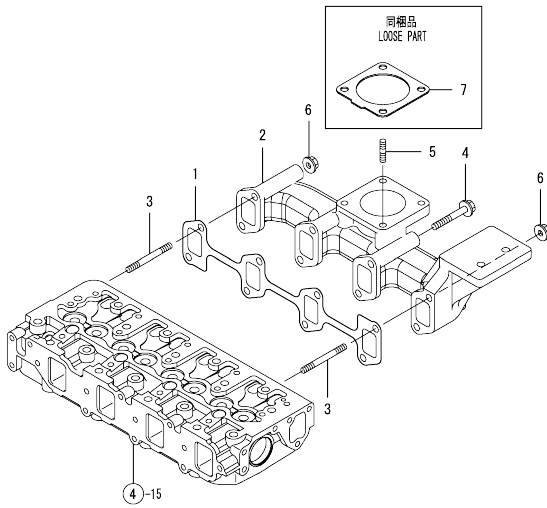
Fig.5. SUCTION MANIFOLD



No.	Lev.	Parts No.	Description	Q'ty					
				(A)	(B)	(C)	(D)	(E)	(F)
1	1	129005-03080	PIPE , BREATHER	1	1				
2	2	129410-03990	CLIP	2	2				
3	1	129602-12100	MANIFOLD, AIR INTAKE	1	1				
4	1	129407-12110	GASKET, MANIFOLD	1	1				
5	1	26106-080202	BOLT, M8X 20 PLATED	6	6				
6	1	26106-080802	BOLT, M8X 80 PLATED	1	1				
7	1	129486-12581	JOINT, MANIFOLD	1	1				
8	1	129150-77511	GASKET	1	1				
9	1	26106-080202	BOLT, M8X 20 PLATED	4	4				

OCW10-M33800

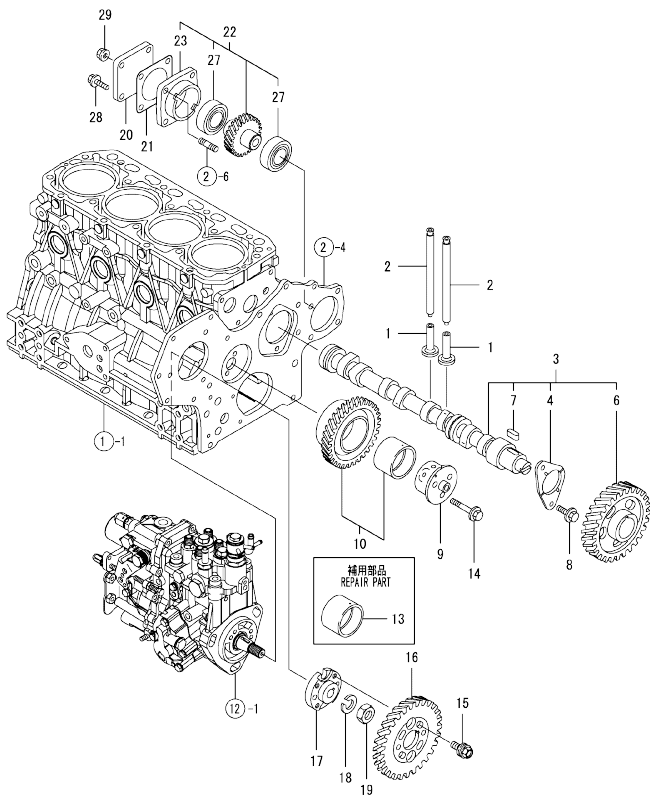
Fig.6. EXHAUST MANIFOLD



No.	Lev.	Parts No.	Description	Q'ty						
				(A)	(B)	(C)	(D)	(E)	(F)	
1	1	129550-13110	GASKET	1	1					
2	1	129601-13110	MANIFOLD, EXHAUST	1	1					
3	1	123900-13610	STUD, M8X80	2	2					
4	1	123900-13630	BOLT, M8X80	6	6					
5	1	119131-18320	STUD, M8X22	4	4					
6	1	26306-080002	NUT, M8	2	2					
7	1	129930-13201	GASKET, SILENCER	1	1					

OCW10-M33800

Fig.7. CAMSHAFT & DRIVING GEAR



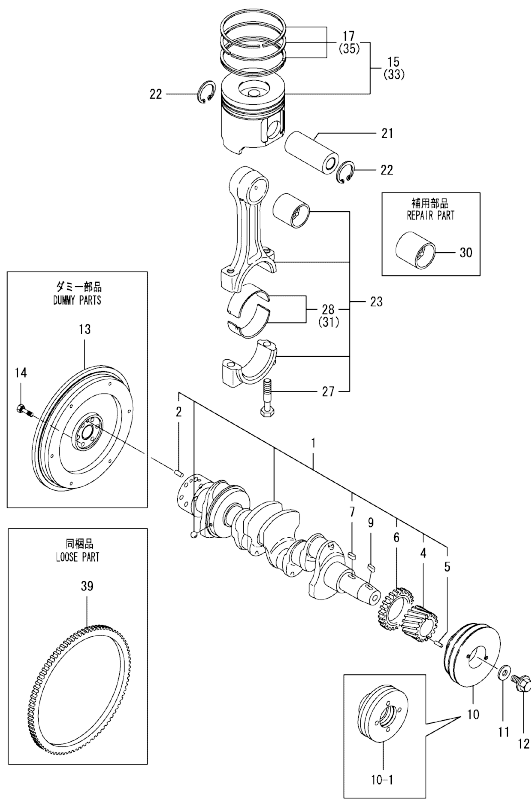
(A)=4TNV88-BLKT
(B)=4TNV88-ULKTF
(C)=
(D)=
(E)=
(F)=

No.	Lev.	Parts No.	Description	Q'ty						I	R	
				(A)	(B)	(C)	(D)	(E)	(F)			
1	1	129150-14200	TAPPET		8	8						
2	1	129150-14400	ROD, PUSH L=178		8	8						
3	1	729402-14580	CAMSHAFT ASSY	1	1							
4	2	129150-02450	BEARING, THRUST		1	1						
6	2	129150-14101	GEAR, CAMSHAFT		1	1						
7	2	22512-070140	KEY, 7X 14		1	1						
8	1	26106-080142	BOLT, M8X 14 PLATED		2	2						
9	1	119803-25050	SHAFT, IDLE		1	1						
10	1	119802-25101	GEAR ASSY, IDLE		1	1						
13	1	119802-25071	BUSH, IDLE GEAR		1	1						1
14	1	26106-080402	BOLT, M8X 40 PLATED		3	3						
15	1	129150-25301	BOLT		4	4						
16	1	119802-25901	GEAR, PUMP		1	1						
17	1	158552-51151	FLANGE		1	1						
18	1	22217-140000	WASHER, SPRING 14		1	1						
19	1	26776-140002	NUT, LOCK M14		1	1						
20	1	124240-01871	COVER		1	1						
21	1	124240-01883	GASKET		1	1						
22	1	129555-26000	DRIVE ASSY, PUMP		1	1						
23	2	129150-26050	BRACKET, PUMP		1	1						
27	2	24105-060064	BEARING, BALL 6006Z		2	2						
28	1	26106-080302	BOLT, M8X 30 PLATED		3	3						
29	1	26306-080002	NUT, M8		1	1						

Remarks
(1) REPAIR PART.

N:Old $\frac{New}{Old}$ New, Q:Old $\frac{New}{Old}$ New, R:Old $\frac{New}{Old}$ New, S:Old $\frac{New}{Old}$ New, W:Add, Z:Discontinued, F:Interchangeable by set, K:Qty Change
Copyright (C) YANMAR CO., LTD. All Rights Reserved.

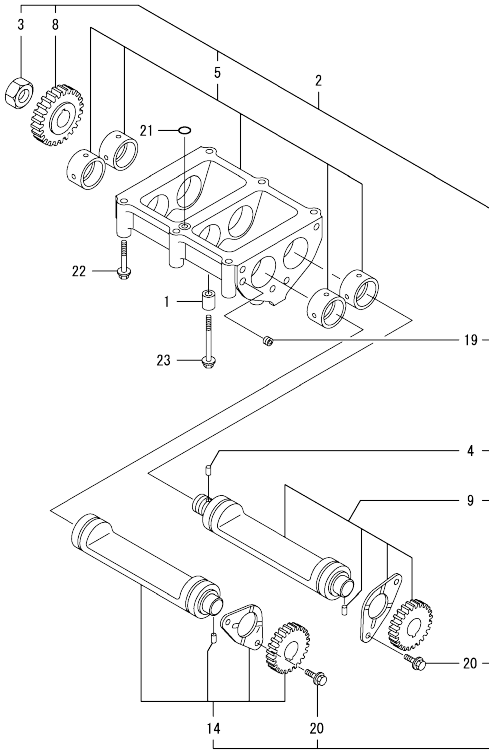
Fig.8. CRANKSHAFT & PISTON



Remarks
 (1) REPAIR PART.
 (2) UNDER-SIZED(U.S=0.25)PART.
 (3) OVER-SIZED(O.S=0.25)PART.

No.	Lev.	Parts No.	Description	Q'ty						I	R
				(A)	(B)	(C)	(D)	(E)	(F)		
1	1	129652-21010	CRANKSHAFT ASSY	1	1						
2	2	129100-01580	PIN, M8X16	1	1						
4	2	119803-21200	GEAR, CRANKSHAFT	1	1						
5	2	121850-21290	PIN	1	1						
6	2	129400-28121	GEAR, BALANCER	1	1						
7	2	22512-070140	KEY, 7X 14	1	1						
9	1	22512-070140	KEY, 7X 14	1	1						
10	1	129657-21660	V-PULLEY, 120	1	1						
10-1	1	119852-21650	V-PULLEY, 120	1	1						S
(A=2008.07.) (B=2008.07.)											
11	1	129795-21661	WASHER	1	1						
12	1	121850-21680	BOLT	1	1						
13	1	129659-21410	FLYWHEEL	1	1						
14	1	121111-21501	BOLT, FLYWHEEL	6	6						
15	1	129005-22080	PISTON ASSY	4	4						
17	2	129005-22500	RING SET, PISTON	4	4						
21	1	129202-22300	PIN, PISTON D26 L70	4	4						
22	1	22252-000260	RING, 26	8	8						
23	1	729402-23100	ROD ASSY, CONNECTING	4	4						
27	2	121550-23200	BOLT, CONNECTING ROD	8	8						
28	2	129150-23601	BEARING, CRANK PIN	4	4						
30	1	129100-23910	BEARING, PISTON PIN	4	4						1
31	1	129150-23611	BEARING, 0.25 US	4	4						2
33	1	129005-22900	PISTON ASSY, 0.25 OS	4	4						3
35	2	129005-22950	RING SET, 0.25 OS	4	4						3
39	1	124550-21600	GEAR, RING	1	1						

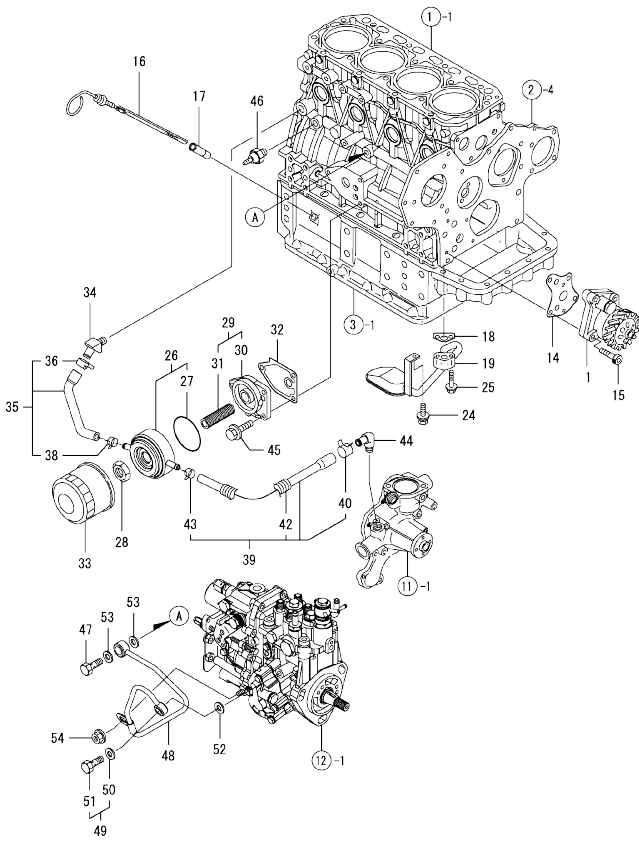
Fig.9. BALANCER



No.	Lev.	Parts No.	Description	Q'ty					
				(A)	(B)	(C)	(D)	(E)	(F)
1	1	129795-01960	PIPE, KNOCK	2	2				
2	1	129457-28000	BALANCER ASSY	1	1				
3	2	128170-14150	NUT	1	1				
4	2	121850-21290	PIN	1	1				
5	2	129457-28011	CASE ASSY, BALANCER	1	1				
8	2	129400-28150	GEAR, BALANCER	1	1				
9	2	729490-28510	SHAFT ASSY, BALANCER	1	1				
14	2	729490-28520	SHAFT ASSY, BALANCER	1	1				
19	2	23876-005000	PLUG, R005	1	1				
20	2	26106-080142	BOLT, M8X 14 PLATED	4	4				
21	1	24311-000140	O-RING, 1AP14.0	1	1				
22	1	26106-080602	BOLT, M8X 60 PLATED	4	4				
23	1	26106-080802	BOLT, M8X 80 PLATED	2	2				

OCW10-M33800

Fig.10. LUB.OIL SYSTEM

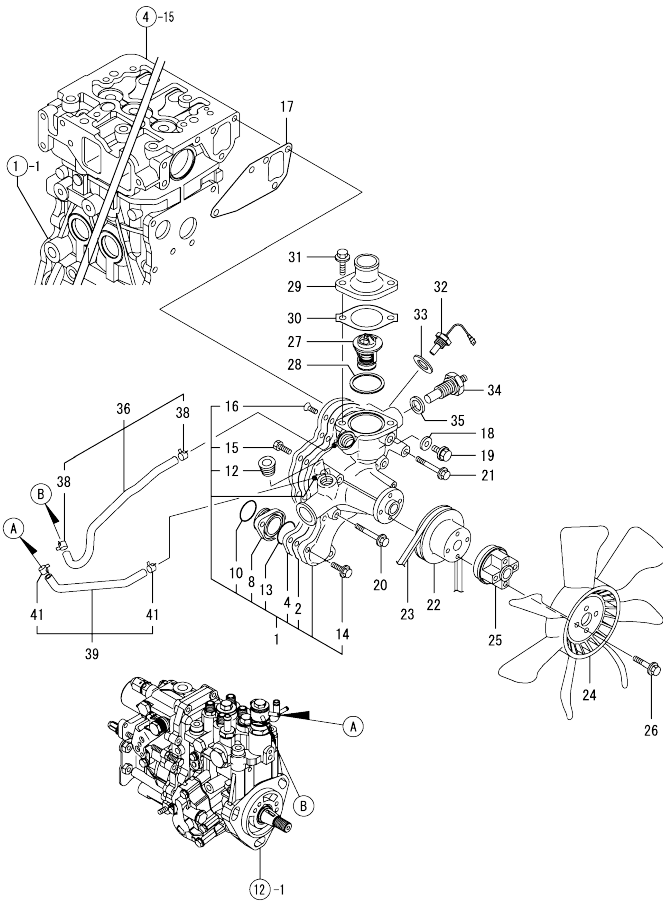


No.	Lev.	Parts No.	Description	Q'ty						I	R
				(A)	(B)	(C)	(D)	(E)	(F)		
1	1	129407-32000	PUMP ASSY, OIL	1	1						
14	1	129150-32020	GASKET, PUMP	1	1						
15	1	26450-060252	BOLT, M6X 25	4	4						
16	1	129457-34800	DIPSTICK, OIL	1	1						
17	1	121520-34810	GUIDE, DIPSTICK	1	1						
18	1	129150-35042	GASKET	1	1						
19	1	129550-35090	PIPE ASSY, OIL INLET	1	1						
24	1	26014-080162	BOLT, M8X 16	1	1						
25	1	26106-080352	BOLT, M8X 35 PLATED	2	2						
26	1	129508-33010	COOLER ASSY, OIL	1	1						
27	2	129508-33050	O-RING	1	1						
28	1	129417-33110	NUT	1	1						
29	1	129006-35100	BRACKET ASSY, FILTER	1	1						
30	2	119802-35110	BRACKET, FILTER	1	1						
31	2	129417-35150	STUD, L=67	1	1						
32	1	129150-35111	GASKET	1	1						
33	1	129150-35153	FILTER	1	1						1
34	1	129648-44400	JOINT, PT1/4	1	1						
35	1	129645-49030	PIPE ASSY, WATER	1	1						
36	2	171008-03990	CLIP, HOSE 18.5	1	1						
38	2	23080-015000	CLAMP, 15	1	1						
39	1	129508-49040	PIPE ASSY, WATER	1	1						
40	2	171008-03990	CLIP, HOSE 18.5	1	1						
42	2	119940-59130	TUBE, CORRUGATED	1	1						
43	2	23080-015000	CLAMP, 15	1	1						
44	1	129466-49300	ELBOW, PT3/8	1	1						
45	1	26106-080202	BOLT, M8X 20 PLATED	3	3						
46	1	114250-39450	SWITCH, 0.5KG	1	1						
47	1	124160-39140	BOLT, PIPE JOINT M10	1	1						
48	1	119802-39450	PIPE ASSY, OIL	1	1						
49	1	129005-59830	BOLT ASSY, JOINT M8	1	1						
50	2	22190-080002	WASHER, SEAL 6	1	1						
51	2	23857-030000	BOLT, JOINT 3	1	1						
52	1	22190-080002	WASHER, SEAL 6	1	1						
53	1	22190-100002	WASHER, SEAL 10	2	2						
54	1	26366-060002	NUT, M6	1	1						

Remarks
(1) REPAIR PART.

N:Old $\frac{100}{100}$ New, Q:Old $\frac{100}{100}$ New, R:Old $\frac{100}{100}$ New, S:Old $\frac{100}{100}$ New, W:Add, Z:Discontinued, F:Interchangeable by set, K:Qty Change
Copyright (C) YANMAR CO., LTD. All Rights Reserved.

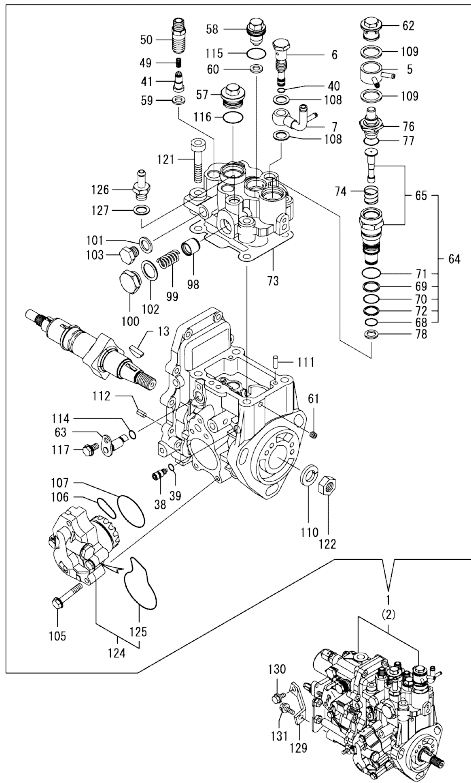
Fig.11. COOLING WATER SYSTEM



No.	Lev.	Parts No.	Description	Qty						I	R
				(A)	(B)	(C)	(D)	(E)	(F)		
1	1	129263-42000	PUMP ASSY, WATER	1	1						
2	2	129150-42059	GASKET	1	1						
4	2	129263-42120	PLATE	1	1						
8	2	129150-42301	FLANGE	1	1						
10	2	129054-42320	O-RING	1	1						
12	2	129916-49740	PLUG, R03	2	2						
13	2	24358-240310	O-RING, 524031	1	1						
14	2	26106-060202	BOLT, M6X 20 PLATED	2	2						
15	2	26116-060162	BOLT, M6X 16 PLATED	3	3						
16	2	26577-060152	SCREW, M6X15	3	3						
17	1	129486-42050	GASKET, WATER PUMP	1	1						
18	1	23414-080000	GASKET, 8X1.0	1	1						
19	1	26106-080122	BOLT, M8X 12 PLATED	1	1						
20	1	26106-080552	BOLT, M8X 55 PLATED	3	3						
21	1	26106-080602	BOLT, M8X 60 PLATED	1	1						
22	1	129550-42350	V-PULLEY, D=120	1	1						
23	1	129052-42290	V-BELT, A40.5	1	1						
24	1	129655-44740	FAN, COOLING D380	1	1						
25	1	129030-44760	SPACER, FAN L38.5	1	1						
26	1	26106-060502	BOLT, M6X 50 PLATED	4	4						
27	1	129155-49801	THERMOSTAT, 71	1	1						
28	1	129150-49811	GASKET, THERMOSTAT	1	1						
29	1	129350-49530	COVER, THERMOSTAT	1	1						
30	1	129795-49551	GASKET	1	1						
31	1	26106-080222	BOLT, M8X 22 PLATED	2	2						
32	1	129107-44901	SENSOR	1	1						
33	1	124465-44950	GASKET, 16	1	1						
34	1	124250-49351	SENSOR	1	1						
35	1	129150-49360	GASKET	1	1						
36	1	129263-49610	PIPE, WATER	1	1						
38	2	124722-59050	CLIP, HOSE 9	2	2						
39	1	129263-49620	PIPE, WATER	1	1						
41	2	124722-59050	CLIP, HOSE 9	2	2						

N:Old $\frac{100}{100}$ New, Q:Old $\frac{100}{100}$ New, R:Old $\frac{100}{100}$ New, S:Old $\frac{100}{100}$ New, W:Add, Z:Discontinued, F:Interchangeable by set, K:Qty Change
 Copyright (C) YANMAR CO., LTD. All Rights Reserved.

Fig.12. FUEL INJECTION PUMP



Remarks

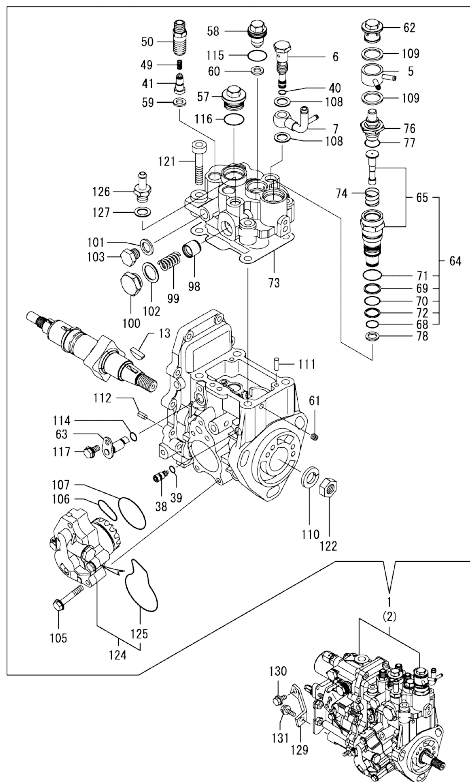
- (1) GOVERNOR ASSY(FIG.13) IS INCORPORATED IN THIS FOP.CMP (REF.NO.1,2).
- (2) REF.NO.1-2 & FIG.NO.14 REF.NO.1-1 INTERCHANGEABLE BY SET.

No.	Lev.	Parts No.	Description	Q'ty						I	R	
				(A)	(B)	(C)	(D)	(E)	(F)			
1	1	729652-51320	PUMP ASSY, INJECTION	1							1	
1-1	1	729652-51321	PUMP ASSY, INJECTION	1							N	1
(A=E,XXX)												
1-2	1	729652-51450	PUMP ASSY, INJECTION	1							S	2
(A=E, B3311)												
2	1	729652-51330	PUMP ASSY, INJECTION		1							1
2-1	1	729652-51331	PUMP ASSY, INJECTION		1						N	1
(B=E,XXX)												
5	2	158553-51551	JOINT	1	1							
6	2	158601-51650	JOINT, OVER FLOW	1	1							
7	2	158552-51670	JOINT, OVER FLOW	1	1							
13	2	119802-51090	KEY, 4X16	1	1							
38	2	158600-51270	STOPPER, TAPPET	1	1							
39	2	158563-51281	O-RING, 4D S6	1	1							
40	2	158563-51281	O-RING, 4D S6	1	1							
40A	2	129008-51390	VALVE ASSY, DELIVERY	4	4							W
(A=*2008.04.) (B=*2008.04.)												
49	3	158563-51330	SPRING, DELIVERY	4	4							
57	2	158601-51550	PLUG	1	1							
58	2	119802-51560	PLUG, BARREL	1	1							
59	2	158552-51570	GASKET	3	3							
60	2	158552-51570	GASKET	1	1							
61	2	158557-51570	PLUG	1	1							
62	2	158601-51570	PLUG	1	1							
63	2	158552-51580	LIFTER	1	1							
64	2	119802-51590	TIMER SET	1	1							
65	3	119802-51600	TIMER ASSY	1	1							
68	3	158553-51670	O-RING, 1011	1	1							
69	3	119802-51680	RING, BACK UP	1	1							
70	3	119802-51690	O-RING	1	1							
71	3	24356-010200	O-RING, 4D1020	1	1							
72	3	24372-000150	RING, BACK UP T2P15	1	1							
73	2	158552-51600	GASKET	1	1							
74	2	158553-51630	SPRING, TIMER	1	1							
76	2	158553-51640	ELEMENT	1	1							
77	2	158553-51660	O-RING, P14	1	1							
78	2	158553-51680	GASKET	1	1							
98	2	158601-51770	PISTON	1	1							
99	2	158552-51781	SPRING	1	1							
100	2	158601-51790	PLUG	1	1							
101	2	22190-120002	WASHER, SEAL 12	1	1							
102	2	22190-180002	WASHER, SEAL 18	1	1							
103	2	23887-120002	PLUG, 12	1	1							
105	2	158553-51770	BOLT	4	4							
106	2	158552-52310	O-RING	1	1							
107	2	158552-52400	O-RING, 4E S42	1	1							
108	2	22190-120002	WASHER, SEAL 12	2	2							
109	2	22190-180002	WASHER, SEAL 18	2	2							
110	2	22217-140000	WASHER, SPRING 14	1	1							
111	2	22312-050140	PIN, PARALLEL M5X14	2	2							
112	2	22351-050010	PIN, SPRING 5.0X10	2	2							

N:Old $\frac{New}{Old}$ New, Q:Old $\frac{New}{Old}$ New, R:Old $\frac{New}{Old}$ New, S:Old $\frac{New}{Old}$ New, W:Add, Z:Discontinued, F:Interchangeable by set, K:Q'ty Change
 ++ CONTINUE ++
 Copyright (C) YANMAR CO., LTD. All Rights Reserved.

OCW10-M33800

Fig.12. FUEL INJECTION PUMP



No.	Lev.	Parts No.	Description	Q'ty					
				(A)	(B)	(C)	(D)	(E)	(F)
114	2	24311-000070	O-RING, 1AP7.0	1	1				
115	2	24356-010180	O-RING, 4D1018	1	1				
116	2	24356-010200	O-RING, 4D1020	1	1				
117	2	26106-060102	BOLT, M6X 10 PLATED	1	1				
121	2	26450-080452	BOLT, M8X 45	4	4				
122	2	26776-140002	NUT, LOCK M14	1	1				
124	2	158552-52100	PUMP ASSY, FUEL FEED	1	1				
125	3	158552-52500	O-RING	1	1				
126	2	119934-59910	JOINT, PIPE	1	1				
127	2	22190-120002	WASHER, SEAL 12	1	1				
129	1	12960-1-51250	RETAINER, PUMP	1	1				
130	1	26106-080162	BOLT, M8X 16 PLATED	1	1				
131	1	26106-080202	BOLT, M8X 20 PLATED	1	1				

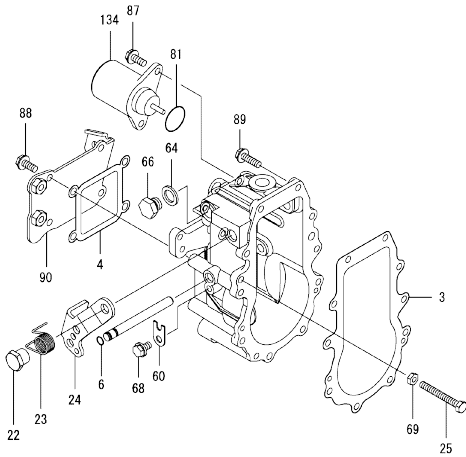
Remarks

- (1) GOVERNOR ASSY(FIG.13) IS INCORPORATED IN THIS FOP.CMP (REF.NO.1,2).
- (2) REF.NO.1-2 & FIG.NO.14 REF.NO.1-1 INTERCHANGEABLE BY SET.

N:Old $\frac{100}{100}$ New, Q:Old $\frac{100}{100}$ New, R:Old $\frac{100}{100}$ New, S:Old $\frac{100}{100}$ New, W:Add, Z:Discontinued, F:Interchangeable by set, K:Q'ty Change
 Copyright (C) YANMAR CO., LTD. All Rights Reserved.

OCW10-M33800

Fig.13. GOVERNOR



(A)=4TNV88-BLKTF
(B)=4TNV88-ULKTF
(C)=
(D)=
(E)=
(F)=

No.	Lev.	Parts No.	Description	Q'ty					
				(A)	(B)	(C)	(D)	(E)	(F)
3	2	158553-61050	GASKET	1	1				
4	2	158553-61070	GASKET	1	1				
6	2	129155-51280	O-RING, S6	1	1				
22	2	129255-61410	NUT, LOCK	1	1				
23	2	119807-61420	SPRING, RETURN	1	1				
24	2	158552-61441	LEVER, REGULATOR	1	1				
25	2	129155-61460	BOLT, IDLE	1	1				
60	2	119660-61901	RETAINER, SHAFT	1	1				
64	2	22190-120000	WASHER, SEAL 12	1	1				
66	2	23887-120002	PLUG, 12	1	1				
68	2	26106-060102	BOLT, M6X 10 PLATED	1	1				
69	2	26756-060002	NUT, LOCK M6	1	1				
81	2	158552-61900	O-RING	1	1				
87	2	26106-060142	BOLT, M6X 14 PLATED	2	2				
88	2	26106-060142	BOLT, M6X 14 PLATED	4	4				
89	2	26106-060202	BOLT, M6X 20 PLATED	10	10				
90	2	158552-61061	COVER, GOVERNOR CASE	1	1				
134	2	119653-77950	SOLENOID, STOP	1	1				

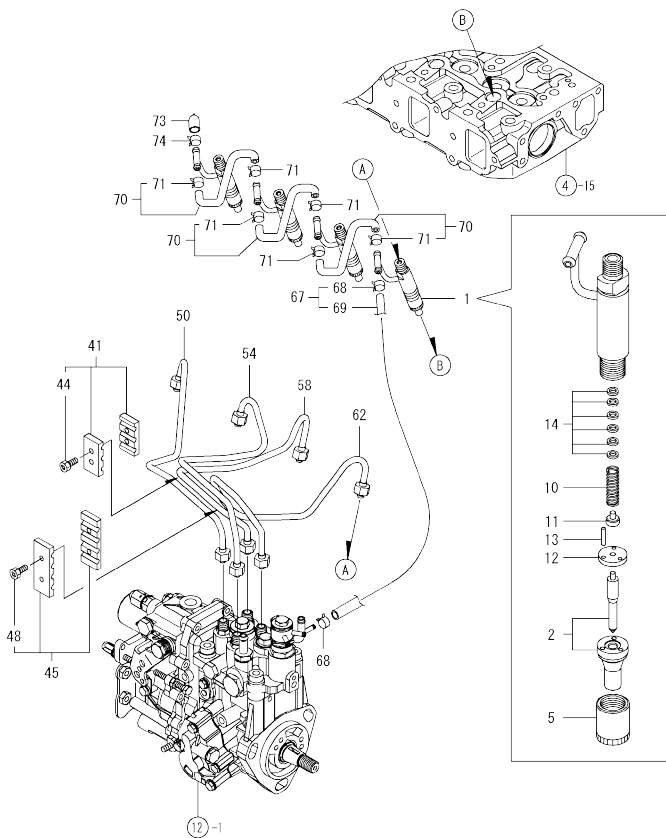
Remarks

* THIS FIGURE(GOVERNOR ASSY)IS INCORPORATED IN THE FUEL INJECTION PUMP ASSY(FIG.12).

N:Old $\frac{100}{100}$ New, Q:Old $\frac{100}{100}$ New, R:Old $\frac{100}{100}$ New, S:Old $\frac{100}{100}$ New, W:Add, Z:Discontinued, F:Interchangeable by set, K:Q'ty Change
Copyright (C) YANMAR CO., LTD. All Rights Reserved.

OCW10-M33800

Fig.14. FUEL INJECTION VALVE



(A)=4TNV88-BLKTF
(B)=4TNV88-ULKTF
(C)=
(D)=
(E)=
(F)=

No.	Lev.	Parts No.	Description	Q'ty						I	R
				(A)	(B)	(C)	(D)	(E)	(F)		
1	1	729604-53200	VALVE ASSY,INJECTION	4	4						
1-1	1	729604-53400 (A=E_B3311)	VALVE ASSY,INJECTION	4							S 1
2	2	129604-53000	VALVE ASSY,INJECTION	4	4						
2-1	2	129604-53300 (A=E_B3311)	VALVE ASSY,INJECTION	4							S
5	2	114250-53080	NUT, NOZZLE D16.95	4	4						
10	2	114250-53120	SPRING, NOZZLE	4	4						
11	2	114250-53130	SEAT, SPRING	4	4						
12	2	114250-53140	PLATE	4	4						
13	2	114250-53210	PIN	8	8						
14	2	119803-53400	SHIM SET	4	4						
41	1	129150-59120	RETAINER, PIPE	1	1						
44	2	129150-59131	BOLT, M4X14	2	2						
45	1	129550-59120	RETAINER, PIPE	1	1						
48	2	129150-59131	BOLT, M4X14	2	2						
50	1	129601-59810	PIPE ASSY, INJECTION	1	1						
54	1	129601-59820	PIPE ASSY, INJECTION	1	1						
58	1	129601-59830	PIPE ASSY, INJECTION	1	1						
62	1	129601-59840	PIPE ASSY, INJECTION	1	1						
67	1	119802-59550	PIPE ASSY, RETURN	1	1						
68	2	124722-59050	CLIP, HOSE 9	2	2						
69	2	119802-59560	PIPE, FUEL RETURN	1	1						
70	1	129486-59551	PIPE ASSY, RETURN	3	3						
71	2	124722-59050	CLIP, HOSE 9	6	6						
73	1	119593-59581	CAP	1	1						
74	1	124060-77680	CLIP, HOSE 10	1	1						

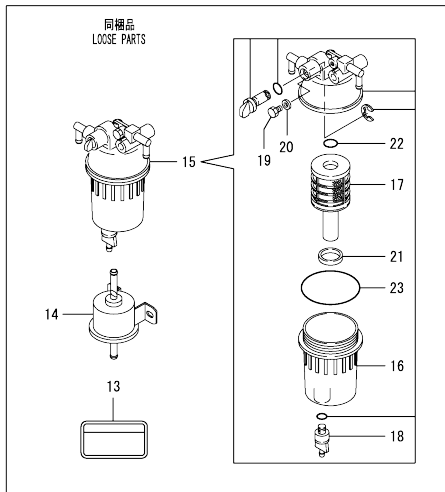
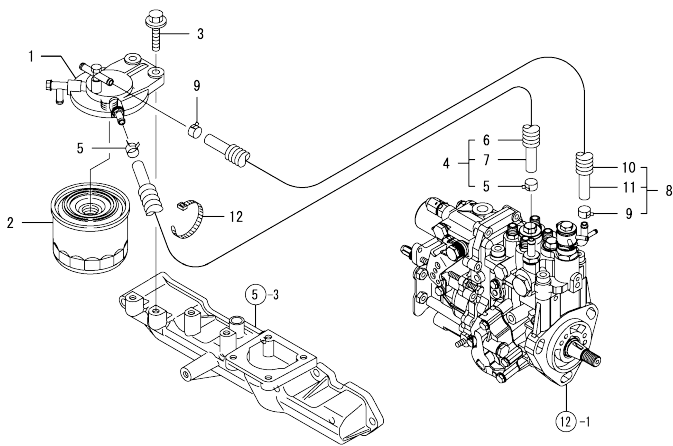
Remarks

(1) REF.NO.1-1 & FIG.NO.12 REF.NO.1-2
INTERCHANGEABLE BY SET.

N:Old $\frac{100}{100}$ New, Q:Old $\frac{100}{100}$ New, R:Old $\frac{100}{100}$ New, S:Old $\frac{100}{100}$ New, W:Add, Z:Discontinued, F:Interchangeable by set, K:Qty Change
Copyright (C) YANMAR CO., LTD. All Rights Reserved.

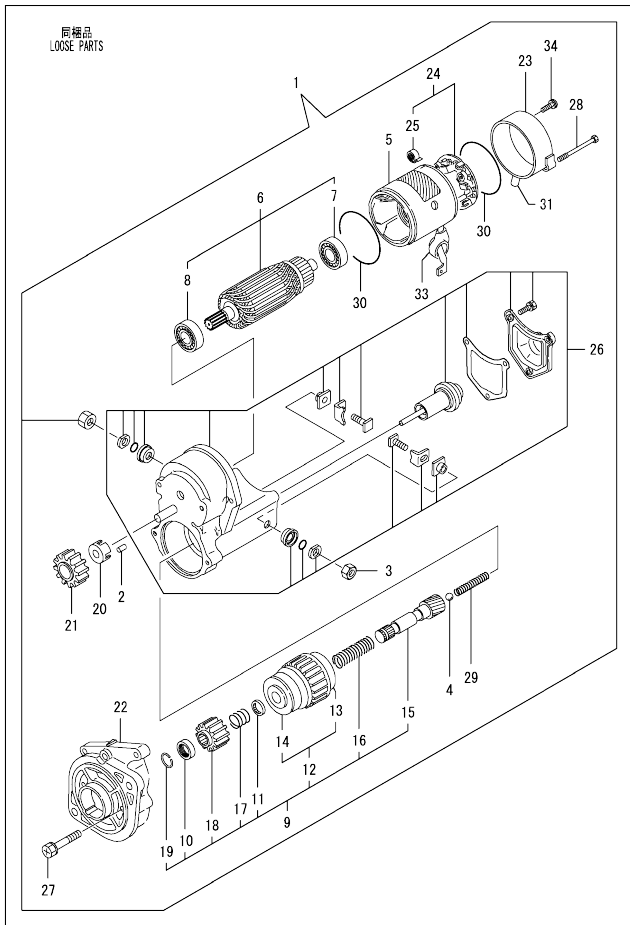
OCW10-M33800

Fig.15. FUEL LINE



No.	Lev.	Parts No.	Description	Q'ty						I	R
				(A)	(B)	(C)	(D)	(E)	(F)		
1	1	129004-55612	BRACKET, FILTER	1	1						
2	1	119802-55801	FILTER, FUEL	1	1						
3	1	26106-080302	BOLT, M8X 30 PLATED	2	2						
4	1	129630-59010	PIPE ASSY, FUEL	1	1						
5	2	124766-59050	CLIP, HOSE 12	2	2						
6	2	129961-59110	TUBE, CORRUGATED	1	1						
7	2	105025-59560	PIPE, FUEL	1	1						
8	1	129956-59010	PIPE ASSY, FUEL	1	1						
9	2	124766-59050	CLIP, HOSE 12	2	2						
10	2	129957-59101	TUBE, CORRUGATED	1	1						
11	2	105225-59511	PIPE, FUEL	1	1						
12	1	121750-59890	BAND, 140	1	1						
13	1	114110-07760	LABEL, FUEL CAUTION	1	1						
14	1	119225-52102	PUMP ASSY, FUEL FEED	1	1						
15	1	129242-55710	SEPARATOR ASSY	1	1						
16	2	129242-55720	CUP	1	1						
17	2	129242-55730	ELEMENT	1	1						
18	2	129242-55740	PLUG, DRAIN	1	1						
19	2	129242-55750	VALVE, AIR VENT	1	1						
20	2	129242-55760	GASKET	1	1						
21	2	129242-55770	FLOAT	1	1						
22	2	24311-000160	O-RING, 1AP16.0	1	1						
23	2	24321-000750	O-RING, 1AG75.0	1	1						

Fig.16. STARTING MOTOR

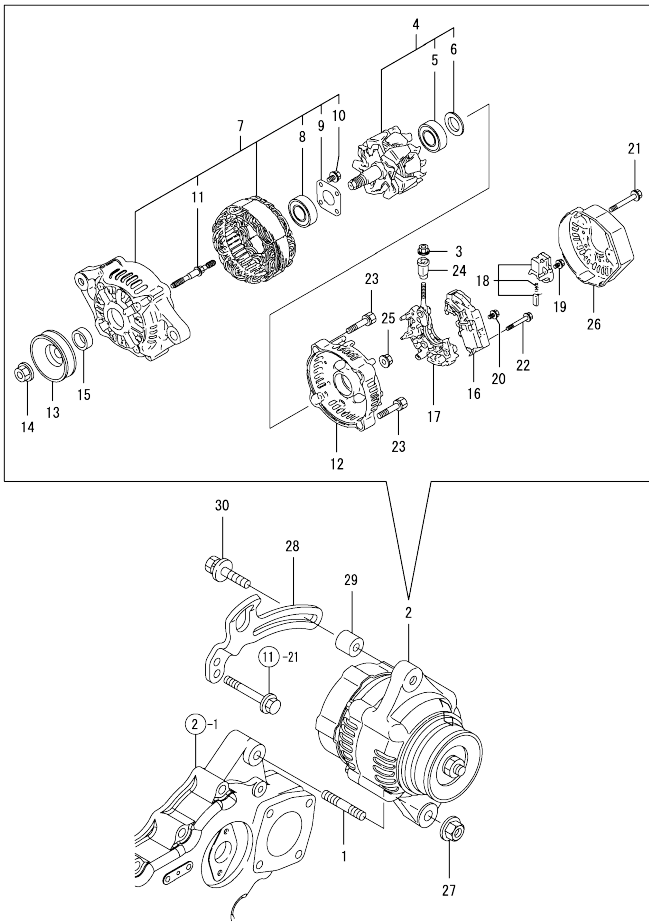


No.	Lev.	Parts No.	Description	Q'ty						I	R
				(A)	(B)	(C)	(D)	(E)	(F)		
1	1	129407-77010	STARTER, RA1.4	1	1						
2	2	X0283060061	ROLLER		5	5					
3	2	X9490561370	NUT	1	1						
4	2	X9491200240	BALL	1	1						
5	2	129407-77210	YOKE ASSY	1	1						
6	2	129407-77220	ARMATURE ASSY	1	1						
7	3	129129-77230	BEARING	1	1						
8	3	129129-77240	BEARING	1	1						
9	2	129407-77250	STARTER	1	1						
10	3	X0280210230	NUT	1	1						
11	3	X0283270140	RETAINER	1	1						
12	3	129407-77390	CLUTCH ASSY	1	1						
13	4	129129-77440	BEARING, BALL	1	1						
14	4	129129-77450	BEARING, BALL	1	1						
15	3	129129-77400	SHAFT	1	1						
16	3	129129-77410	SPRING, COIL	1	1						
17	3	X9491703371	SPRING, COIL	1	1						
18	3	129129-77420	PINION, STARTER	1	1						
19	3	129129-77430	RING	1	1						
20	2	129129-77260	RETAINER	1	1						
21	2	129129-77270	PINION	1	1						
22	2	129407-77280	HOUSING	1	1						
23	2	129407-77290	FRAME	1	1						
24	2	129407-77300	HOLDER ASSY	1	1						
25	3	X9491730461	SPRING	4	4						
26	2	129407-77310	SWITCH ASSY	1	1						
27	2	129129-77320	BOLT	2	2						
28	2	129407-77330	BOLT	2	2						
29	2	129129-77340	SPRING	1	1						
30	2	129129-77350	O-RING	2	2						
31	2	129129-77362	COVER	1	1						
33	2	129129-77380	CAP	1	1						
34	2	129129-77460	SCREW	2	2						

N:Old $\frac{New}{100}$ New, Q:Old $\frac{New}{100}$ New, R:Old $\frac{New}{100}$ New, S:Old $\frac{New}{100}$ New, W:Add, Z:Discontinued, F:Interchangeable by set, K:Q'ty Change
 Copyright (C) YANMAR CO., LTD. All Rights Reserved.

OCW10-M33800

Fig.17. GENERATOR



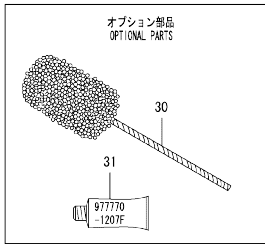
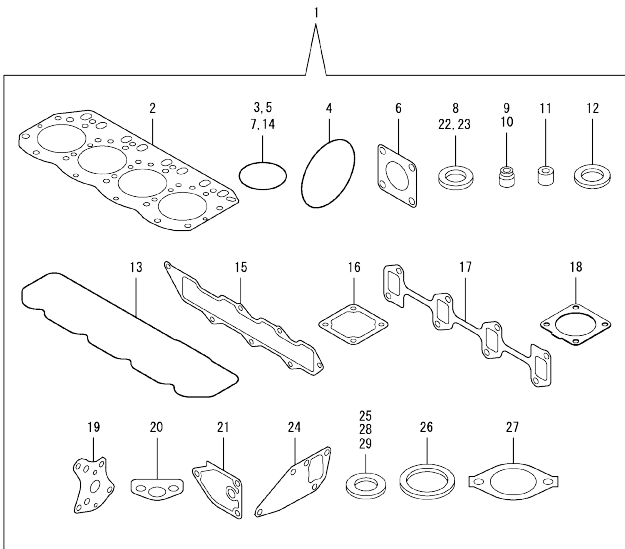
(A)=4TNV88-BLKTF
(B)=4TNV88-ULKTF
(C)=
(D)=
(E)=
(F)=

No.	Lev.	Parts No.	Description	Q'ty						I	R
				(A)	(B)	(C)	(D)	(E)	(F)		
1	1	129795-01900	STUD	1	1						
2	1	119626-77210	ALTERNATOR, 12V-55A	1	1						
3	2	X9490561001	NUT	1	1						
4	2	129052-77380	ROTOR ASSY	1	1						
5	3	123501-79240	BEARING, BALL	1	1						
6	3	119620-79250	COVER	1	1						
7	2	129052-77422	FRAME ASSY	1	1						
8	3	119620-79200	BEARING, BALL	1	1						
9	3	119620-79210	PLATE, RETAINER	1	1						
10	3	119620-79220	SCREW	4	4						
11	3	119620-79230	STUD	2	2						
12	2	128401-77440	FRAME	1	1						
13	2	119620-77461	PULLEY	1	1						
14	2	119620-77471	NUT	1	1						
15	2	119620-77490	COLLAR	1	1						
16	2	119626-77710	REGULATOR ASSY	1	1						
17	2	129052-79260	HOLDER	1	1						
18	2	129052-79270	HOLDER, BRUSH	1	1						
19	2	119620-79290	SCREW	6	6						
20	2	119620-79300	SCREW	1	1						
21	2	119620-79310	BOLT	3	3						
22	2	119620-79320	SCREW	2	2						
23	2	119620-79330	BOLT	2	2						
24	2	119620-79340	BUSH, INSULATION	1	1						
25	2	119620-79350	NUT	2	2						
26	2	119626-77450	COVER	1	1						
27	1	26306-100002	NUT, M10	1	1						
28	1	129107-77330	ADJUSTER	1	1						
29	1	124732-77340	SPACER	1	1						
30	1	129972-77341	BOLT, ADJUSTER L=50	1	1						

N:Old $\frac{100}{100}$ New, Q:Old $\frac{100}{100}$ New, R:Old $\frac{100}{100}$ New, S:Old $\frac{100}{100}$ New, W:Add, Z:Discontinued, F:Interchangeable by set, K:Q'ty Change
Copyright (C) YANMAR CO., LTD. All Rights Reserved.

OCW10-M33800

Fig.18. GASKET SET



Remarks
(1) OPTIONAL PART.

No.	Lev.	Parts No.	Description	Q'ty						I	R
				(A)	(B)	(C)	(D)	(E)	(F)		
1	1	729602-92810	GASKET SET	1	1						1
2	2	129407-01340	GASKET, HEAD	1	1						
3	2	119609-32040	O-RING, P16	2	2						
4	2	121850-51960	O-RING	1	1						
5	2	24311-000320	O-RING, 1AP32.0	3	3						
6	2	124240-01883	GASKET	2	2						
7	2	24341-000240	O-RING, 1AS24.0	1	1						
8	2	22190-160002	WASHER, SEAL 16	1	1						
9	2	121400-11340	SEAL, VALVE STEM	4	4						
10	2	124460-11340	SEAL, VALVE STEM	4	4						
11	2	119802-11870	PROTECTOR, NOZZLE	4	4						
12	2	119625-11880	SEAT, NOZZLE	4	4						
13	2	129601-11310	GASKET, BONNET	1	1						
14	2	24311-000120	O-RING, 1AP12.0	3	3						
15	2	129407-12110	GASKET, MANIFOLD	1	1						
16	2	129150-77511	GASKET	1	1						
17	2	129550-13110	GASKET	1	1						
18	2	129930-13201	GASKET, SILENCER	1	1						
19	2	129150-32020	GASKET, PUMP	1	1						
20	2	129150-35042	GASKET	1	1						
21	2	129150-35111	GASKET	1	1						
22	2	22190-080002	WASHER, SEAL 6	2	2						
23	2	22190-100002	WASHER, SEAL 10	2	2						
24	2	129486-42050	GASKET, WATER PUMP	1	1						
25	2	23414-080000	GASKET, 8X1.0	1	1						
26	2	129150-49811	GASKET, THERMOSTAT	1	1						
27	2	129795-49551	GASKET	1	1						
28	2	124465-44950	GASKET, 16	1	1						
29	2	129150-49360	GASKET	1	1						
30	1	129400-92430	HONE	1	1						1
31	1	977770-1207F	GASKET.LIQUID	1	1						1

N:Old $\frac{100}{100}$ New, Q:Old $\frac{100}{100}$ New, R:Old $\frac{100}{100}$ New, S:Old $\frac{100}{100}$ New, W:Add, Z:Discontinued, F:Interchangeable by set, K:Qty Change
Copyright (C) YANMAR CO., LTD. All Rights Reserved.

Parts No. Index

Parts No.	Fig. No.	Ref. No.
105025-59560	15	7
105225-59511	15	11
105425-01690	3	3
114110-07760	15	13
114250-39450	10	46
114250-53080	14	5
114250-53120	14	10
114250-53130	14	11
114250-53140	14	12
114250-53210	14	13
119131-18320	6	5
119225-52102	15	14
119309-01810	1	28
119593-59581	14	73
119609-32040	2	10
	18	3
119620-77461	17	13
119620-77471	17	14
119620-77490	17	15
119620-79200	17	8
119620-79210	17	9
119620-79220	17	10
119620-79230	17	11
119620-79250	17	6
119620-79290	17	19
119620-79300	17	20
119620-79310	17	21
119620-79320	17	22
119620-79330	17	23
119620-79340	17	24
119620-79350	17	25
119625-11880	4	32
	18	12
119626-77210	17	2
119626-77450	17	26
119626-77710	17	16
119653-77950	13	134
119660-61901	13	60
119802-01561	2	5
119802-03110	4	43
119802-03121	4	44
119802-03130	4	45
119802-03141	4	46
119802-11260	4	6
119802-11270	4	7
119802-11870	4	31
	18	11
119802-25071	7	13
119802-25101	7	10
119802-25901	7	16

Parts No.	Fig. No.	Ref. No.
119802-35110	10	30
119802-39450	10	48
119802-51090	12	13
119802-51560	12	58
119802-51590	12	64
119802-51600	12	65
119802-51680	12	69
119802-51690	12	70
119802-55801	15	2
119802-59550	14	67
119802-59560	14	69
119803-21200	8	4
119803-25050	7	9
119803-53400	14	14
119803-77830	4	54
119807-61420	13	23
119852-21650	8	10 -1
119934-01800	2	3
119934-59910	12	126
119940-59130	10	42
120130-11860	4	29
120270-54410	4	34
121023-01551	2	24
121111-21501	8	14
121400-11340	4	25
	18	9
121520-34810	10	17
121550-23200	8	27
121750-59890	15	12
121850-21290	8	5
	9	4
121850-21680	8	12
121850-51960	2	11
	18	4
123501-79240	17	5
123900-13610	6	3
123900-13630	6	4
124060-01050	1	4
124060-77680	14	74
124160-01751	2	7
	4	39
124160-01910	1	6
124160-11360	4	51
124160-39140	10	47
124240-01871	2	8
	7	21
	7	20
124240-01883	2	22
	7	21
	18	6

Parts No.	Fig. No.	Ref. No.
124250-49351	11	34
124460-11340	4	26
	18	10
124465-44950	11	33
	18	28
124550-21600	8	39
124722-59050	11	38
	14	41
	14	68
	14	71
124732-77340	17	29
124766-59050	15	5
	9	9
128170-14150	9	3
128401-77440	17	12
129001-01250	1	5
129001-02931	1	30
129001-91841	2	12
129001-91870	3	7
129001-91910	3	8
129004-03010	4	41
129004-11650	4	9
129004-11900	4	33
129004-55612	15	1
129005-03080	5	1
129005-11100	4	21
129005-22080	8	15
129005-22500	8	17
129005-22900	8	33
129005-22950	8	35
129005-59830	10	49
129006-35100	10	29
129008-01520	2	4
129008-51390	12	40 A
129008-77800	4	55
129030-44760	11	25
129052-42290	11	23
129052-77380	17	4
129052-77422	17	7
129052-79260	17	17
129052-79270	17	18
129054-42320	11	10
129100-01580	1	29
	3	11
	8	2
129100-01640	3	12
129100-11112	4	22
129100-23910	8	30
129107-44901	11	32
129107-77330	17	28

Parts No.	Fig. No.	Ref. No.
129129-77230	16	7
129129-77240	16	8
129129-77260	16	20
129129-77270	16	21
129129-77320	16	27
129129-77340	16	29
129129-77350	16	30
129129-77362	16	31
129129-77380	16	33
129129-77400	16	15
129129-77410	16	16
129129-77420	16	18
129129-77430	16	19
129129-77440	16	13
129129-77450	16	14
129129-77460	16	34
129150-01200	1	26
129150-01580	2	6
129150-02020	1	8
129150-02450	7	4
129150-02871	1	33
129150-02931	1	23
129150-02941	1	36
129150-03070	4	42
129150-11230	4	10
129150-11280	4	8
129150-11370	4	14
129150-11750	4	12
129150-11810	4	30
129150-14101	7	6
129150-14200	7	1
129150-14400	7	2
129150-23601	8	28
129150-23611	8	31
129150-25301	7	15
129150-26050	7	23
129150-32020	10	14
	18	19
129150-35042	10	18
	18	20
129150-35111	10	32
	18	21
129150-35153	10	33
129150-42059	11	2
129150-42301	11	8
129150-49360	11	35
	18	29
129150-49811	11	28
	18	26
129150-59120	14	41

Parts No. Index

Parts No.	Fig. No.	Ref. No.
129150-59131	14	44
		48
129150-77511	5	8
	18	16
129155-49801	11	27
129155-51280	13	6
129155-61460	13	25
129202-22300	8	21
129242-55710	15	15
129242-55720	15	16
129242-55730	15	17
129242-55740	15	18
129242-55750	15	19
129242-55760	15	20
129242-55770	15	21
129255-61410	13	22
129263-42000	11	1
129263-42120	11	4
129263-49610	11	36
129263-49620	11	39
129350-49530	11	29
129400-28121	8	6
129400-28150	9	8
129400-92430	18	30
129407-01340	1	27
	18	2
129407-12110	5	4
	18	15
129407-32000	10	1
129407-77010	16	1
129407-77210	16	5
129407-77220	16	6
129407-77250	16	9
129407-77280	16	22
129407-77290	16	23
129407-77300	16	24
129407-77310	16	26
129407-77330	16	28
129407-77390	16	12
129410-03990	5	2
129417-33110	10	28
129417-35150	10	31
129457-28000	9	2
129457-28011	9	5
129457-34800	10	16
129466-49300	10	44
129486-01670	3	15
129486-12581	5	7
129486-42050	11	17
	18	24

Parts No.	Fig. No.	Ref. No.
129486-59551	14	70
129508-33010	10	26
129508-33050	10	27
129508-49040	10	39
129550-01702	3	1
129550-13110	6	1
	18	17
129550-35090	10	19
129550-42350	11	22
129550-59120	14	45
129555-01750	3	6
129555-26000	7	22
129601-11241	4	3
129601-11251	4	4
129601-11310	4	48
	18	13
129601-11350	4	40
129601-13110	6	2
129601-51250	12	129
129601-59810	14	50
129601-59820	14	54
129601-59830	14	58
129601-59840	14	62
129602-12100	5	3
129604-11700	4	15
129604-53000	14	2
129604-53300	14	2 -1
129604-77821	4	56
129630-59010	15	4
129645-49030	10	35
129648-44400	10	34
129652-21010	8	1
129655-44740	11	24
129657-21660	8	10
129659-21410	8	13
129795-01780	3	14
129795-01900	17	1
129795-01950	2	9
129795-01960	9	1
129795-02412	1	11
129795-11120	4	23
129795-11180	4	24
129795-21661	8	11
129795-49551	11	30
	18	27
129900-07900	4	1
129916-49740	11	12
129930-13201	6	7
	18	18
129956-59010	15	8

Parts No.	Fig. No.	Ref. No.
129957-59101	15	10
129961-59110	15	6
129972-77341	17	30
158552-51151	7	17
158552-51570	12	59
		60
158552-51580	12	63
158552-51600	12	73
158552-51670	12	7
158552-51781	12	99
158552-52100	12	124
158552-52310	12	106
158552-52400	12	107
158552-52500	12	125
158552-61061	13	90
158552-61441	13	24
158552-61900	13	81
158553-51551	12	5
158553-51630	12	74
158553-51640	12	76
158553-51660	12	77
158553-51670	12	68
158553-51680	12	78
158553-51770	12	105
158553-61050	13	3
158553-61070	13	4
158557-51570	12	61
158563-51281	12	39
		40
158563-51330	12	49
158600-51270	12	38
158601-51550	12	57
158601-51570	12	62
158601-51650	12	6
158601-51770	12	98
158601-51790	12	100
171008-03990	10	36
		40
171031-11741	2	27
171051-01921	1	7
22190-080002	2	13
		14
	10	50
		52
	18	22
22190-100002	10	53
	18	23
22190-120000	13	64
22190-120002	12	101
		108

Parts No.	Fig. No.	Ref. No.
22190-120002	12	127
22190-160002	3	5
	18	8
22190-180002	12	102
		109
22217-140000	7	18
	12	110
22252-000260	8	22
22312-050140	12	111
22351-050010	12	112
22351-060012	4	35
22512-070140	7	7
	8	7
		9
22857-500100	4	49
		50
23080-015000	10	38
		43
23414-080000	11	18
	18	25
23857-030000	10	51
23876-005000	9	19
23887-120002	12	103
	13	66
24105-060064	7	27
24311-000070	12	114
24311-000120	4	52
	18	14
24311-000140	9	21
24311-000160	15	22
24311-000320	2	15
		28
	4	53
	18	5
24321-000750	15	23
24341-000240	2	25
	18	7
24356-010180	12	115
24356-010200	12	71
		116
24358-240310	11	13
24372-000150	12	72
26014-080162	10	24
26106-060102	12	117
	13	68
26106-060142	13	87
		88
26106-060162	2	26
26106-060202	11	14
	13	89

Parts No. Index

Parts No.	Fig. No.	Ref. No.
26106-060502	11	26
26106-080122	3	9
	11	19
26106-080142	7	8
	9	20
26106-080162	2	16
		17
		23
	4	2
	12	130
26106-080202	5	5
		9
	10	45
	12	131
26106-080222	11	31
26106-080252	4	36
26106-080302	2	18
	7	28
	15	3
26106-080352	4	37
	10	25
26106-080402	7	14
26106-080502	3	10
	4	38
26106-080552	2	19
	11	20
26106-080602	9	22
	11	21
26106-080802	5	6
	9	23
26116-060162	11	15
26226-080182	4	13
26306-080002	2	20
	6	6
	7	29
26306-100002	17	27
26366-060002	10	54
26450-060252	10	15
26450-080452	12	121
26577-060152	11	16
26756-060002	13	69
26776-140002	7	19
	12	122
27241-120000	1	12
27241-300000	1	13
27241-400000	4	20
27310-080001	4	27
729008-01500	2	1
729402-14580	7	3
729402-23100	8	23

Parts No.	Fig. No.	Ref. No.
729429-01721	3	2
729490-28510	9	9
729490-28520	9	14
729602-92810	18	1
729604-53200	14	1
729604-53400	14	1 -1
729652-51320	12	1
729652-51321	12	1 -1
729652-51330	12	2
729652-51331	12	2 -1
729652-51450	12	1 -2
729659-01590	1	1
977770-1207F	18	31
X0280210230	16	10
X0283060061	16	2
X0283270140	16	11
X9490561001	17	3
X9490561370	16	3
X9491200240	16	4
X9491703371	16	17
X9491730461	16	25

Parts No.	Fig. No.	Ref. No.
-----------	----------	----------

Parts No.	Fig. No.	Ref. No.
-----------	----------	----------