

0CD50-M01020EN

P R E F A C E

This parts catalog is the 1st edition of 4TNV88-ZSTB and 4TNV88-ZSTB1 for Takeuchi.

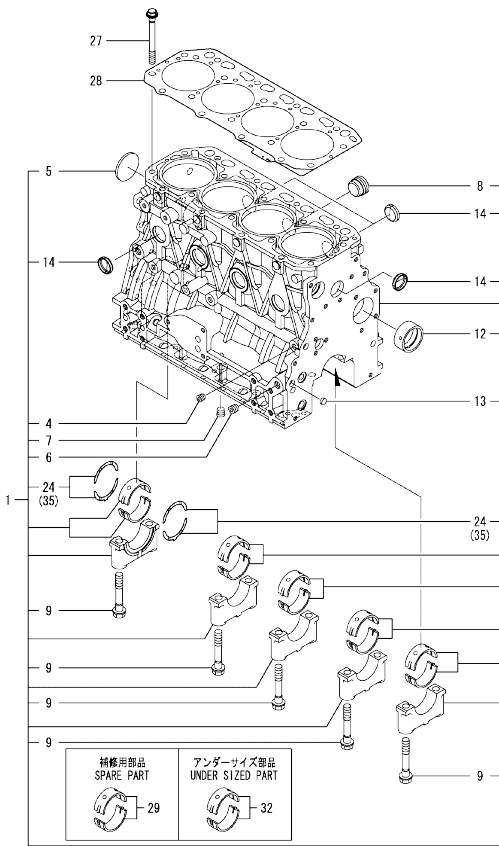
Published : February, 2015

Contents

OCD50-M01020

Fig. No.	Fig. Name	Fig. No.	Fig. Name
4TNV88-ZSTB/4TNV88-ZSTB1			
1.	CYLINDER BLOCK		
2.	GEAR HOUSING		
3.	FLYWHEEL HOUSING & OIL SUMP		
4.	CYLINDER HEAD & BONNET		
5.	SUCTION MANIFOLD & AIR CLEANER		
6.	EXHAUST MANIFOLD & SILENCER		
7.	EXHAUST MANIFOLD & SILENCER		
8.	CAMSHAFT & DRIVING GEAR		
9.	CRANKSHAFT & PISTON		
10.	LUB. OIL SYSTEM		
11.	COOLING WATER SYSTEM		
12.	FUEL INJECTION PUMP		
13.	GOVERNOR		
14.	FUEL INJECTION VALVE		
15.	FUEL PIPE		
16.	STARTER MOTOR		
17.	GENERATOR		
18.	ELECTRONIC CONTROL UNIT(ECU)		
19.	GASKET SET		

Fig.1. CYLINDER BLOCK



(A)=4TNV88-ZSTB
(B)=4TNV88-ZSTB1
(C)=

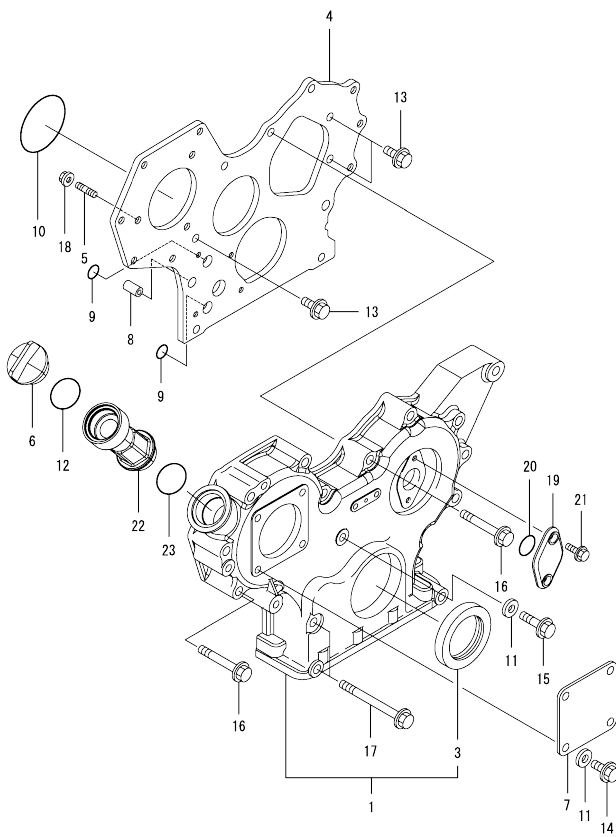
(D)=
(E)=
(F)=

No.	Lev.	Parts No.	Description	Q'ty						I	R
				(A)	(B)	(C)	(D)	(E)	(F)		
1	1	729602-01560	BLOCK ASSY, CYLINDER	1	1						
4	2	124060-01050	PLUG, PT1/8	1	1						
5	2	129001-01250	PLUG, 50	1	1						
6	2	124160-01910	PLUG, PT1/4	2	2						
7	2	124160-01910	PLUG, PT1/4	1	1						
8	2	171051-01921	PLUG, NPTF1	1	1						
9	2	129150-02020	BOLT, METAL CAP	10	10						
12	2	129795-02412	BUSH, CAMSHAFT	1	1						
13	2	27241-120000	PLUG, 12	2	2						
14	2	27241-300000	PLUG 30	8	8						
24	2	129150-02931	BEARING, THRUST	2	2						
27	1	129150-01200	BOLT, HEAD	18	18						
28	1	129407-01340	GASKET, HEAD	1	1						
29	1	129001-02931	BEARING, MAIN	5	5						1
32	1	129150-02871	BEARING, 0.25 US	5	5						2
35	1	129150-02941	BEARING, THRUST 0.25	1	1						3

Remarks

- (1) Spare parts.
- (2) Under-sized (U.S.=0.25) parts.
- (3) Over-sized (O.S.=0.25) parts.

Fig.2. GEAR HOUSING

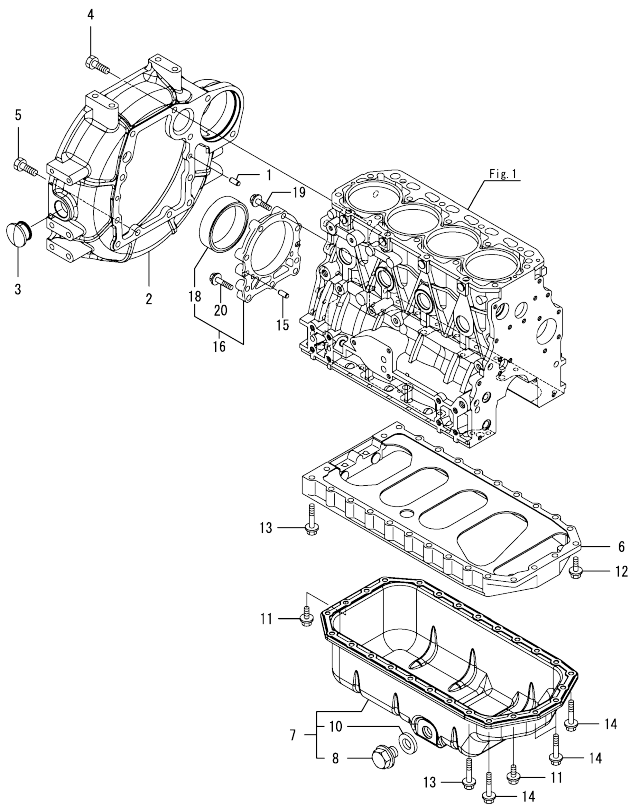


(A)=4TNV88-ZSTB
(B)=4TNV88-ZSTB1
(C)=

(D)=
(E)=
(F)=

No.	Lev.	Parts No.	Description	Q'ty					
				(A)	(B)	(C)	(D)	(E)	(F)
1	1	729630-01500	CASE ASSY, GEAR	1	1				
3	2	119934-01800	SEAL, OIL	1	1				
4	1	119803-01520	FLANGE, GEAR CASE	1	1				
5	1	119802-01561	STUD, M8X25	3	3				
6	1	124160-01751	COVER, FILLER	1	1				
7	1	124240-01871	COVER	1	1				
8	1	129795-01950	PIPE, KNOCK L=18	2	2				
9	1	119609-32040	O-RING, P16	2	2				
10	1	121850-51960	O-RING	1	1				
11	1	22190-080002	WASHER, SEAL 8	5	5				
12	1	24311-000320	O-RING, 1AP32.0	1	1				
13	1	26106-080162	BOLT, M8X 16 PLATED	3	3				
14	1	26106-080162	BOLT, M8X 16 PLATED	4	4				
15	1	26106-080302	BOLT, M8X 30 PLATED	1	1				
16	1	26106-080552	BOLT, M8X 55 PLATED	12	12				
17	1	26106-080852	BOLT, M8X 85 PLATED	3	3				
18	1	26306-080002	NUT, M8	3	3				
19	1	121023-01551	COVER	1	1				
20	1	24341-000240	O-RING, 1AS24.0	1	1				
21	1	26106-060162	BOLT, M6X 16 PLATED	2	2				
22	1	171031-11741	PIPE	1	1				
23	1	24311-000320	O-RING, 1AP32.0	1	1				

Fig.3. FLYWHEEL HOUSING & OIL SUMP

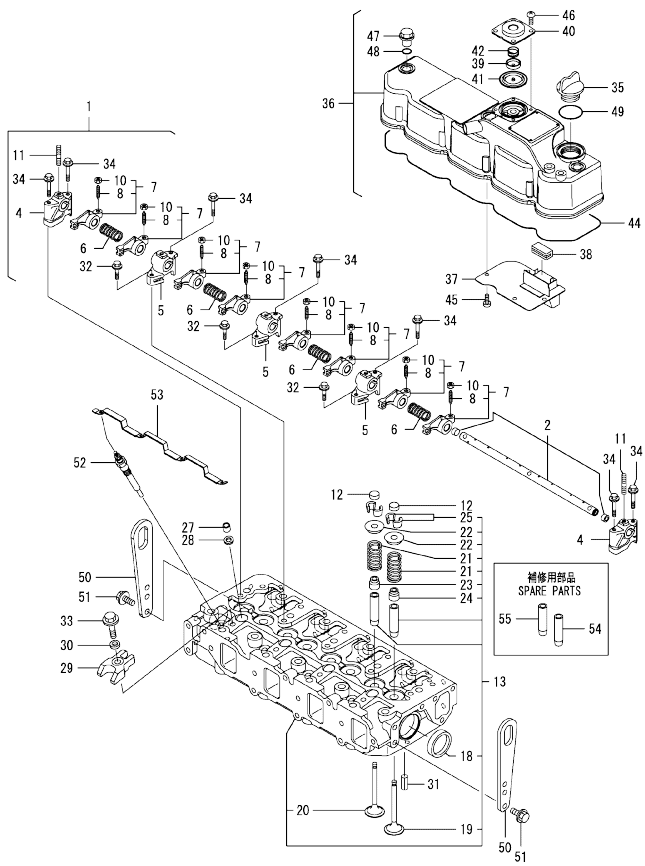


(A)=4TNV88-ZSTB
(B)=4TNV88-ZSTB1
(C)=

(D)=
(E)=
(F)=

No.	Lev.	Parts No.	Description	Q'ty						I	R
				(A)	(B)	(C)	(D)	(E)	(F)		
1	1	129100-01580	PIN, 8X16	2	2						
2	1	129612-01600	HOUSING, FLYWHEEL	1	1						
3	1	119620-01750	CAP	1	1						
4	1	26206-100252	BOLT, M10X 25 PLATED	6	6						
5	1	26206-100302	BOLT, M10X 30 PLATED	4	4						
6	1	129400-01730	SPACER, OIL SUMP	1	1						
7	1	129688-01780	OIL PAN ASSY, DEEP	1	1						
8	2	119640-01640	PLUG, DRAIN M22	1	1						
10	2	22190-220002	WASHER, SEAL 22	1	1						
11	1	26106-080162	BOLT, M8X 16 PLATED	4	4						
12	1	26106-080252	BOLT, M8X 25 PLATED	2	2						
13	1	26106-080452	BOLT, M8X 45 PLATED	20	20						
14	1	26106-080502	BOLT, M8X 50 PLATED	4	4						
15	1	129100-01580	PIN, 8X16	2	2						
16	1	129648-01600	CASE ASSY, OIL SEAL	1	1						
18	2	129648-01780	SEAL, OIL	1	1						
19	1	129486-01670	BOLT, M8X30	6	6						
20	1	26106-080352	BOLT, M8X 35 PLATED	3	3						

Fig.4. CYLINDER HEAD & BONNET



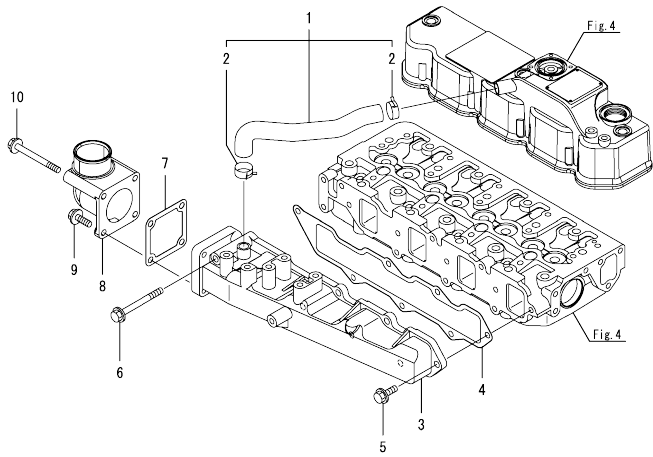
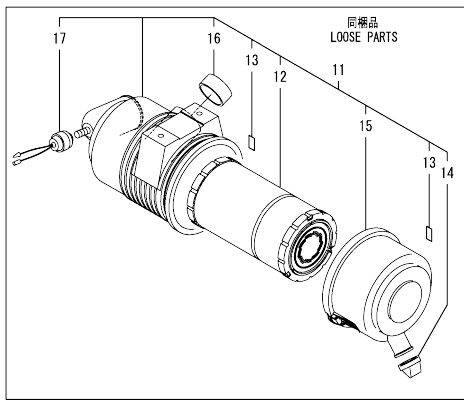
(A)=4TNV88-ZSTB
(B)=4TNV88-ZSTB1
(C)=

(D)=
(E)=
(F)=

No.	Lev.	Parts No.	Description	Q'ty						I	R
				(A)	(B)	(C)	(D)	(E)	(F)		
1	1	129601-11241	SHAFT ASSY, ROCKER	1	1						
2	2	129601-11251	SHAFT, ROCKER ARM	1	1						
4	2	119802-11260	SUPPORT, ROCKER ARM	2	2						
5	2	119802-11270	SUPPORT, ROCKER ARM	3	3						
6	2	129150-11280	SPRING	4	4						
7	2	129004-11650	ARM, ROCKER	8	8						
8	3	129150-11230	SCREW, VALVE ADJUST	8	8						
10	3	129150-11750	NUT, M8	8	8						
11	2	26226-080182	STUD, M8X 18	3	3						
12	1	129150-11370	CAP, VALVE	8	8						
13	1	129604-11700	HEAD ASSY, CYLINDER	1	1						
18	2	27241-400000	PLUG, 40	2	2						
19	2	129005-11100	VALVE, INTAKE	4	4						
20	2	129100-11112	VALVE, EXHAUST	4	4						
21	2	129795-11120	SPRING, VALVE	8	8						
22	2	129795-11180	RETAINER, SPRING	8	8						
23	2	121400-11340	SEAL, VALVE STEM	4	4						
24	2	124460-11340	SEAL, VALVE STEM	4	4						
25	2	27310-080001	COTTER, 8	8	8						
27	1	119802-11870	PROTECTOR, NOZZLE	4	4						
28	1	119625-11880	SEAT, NOZZLE	4	4						
29	1	129004-11900	RETAINER, NOZZLE	4	4						
30	1	120270-54410	WASHER, INJECTOR	4	4						
31	1	22351-060012	PIN, SPRING 6.0X12	2	2						
32	1	26106-080252	BOLT, M8X 25 PLATED	3	3						
33	1	26106-080352	BOLT, M8X 35 PLATED	4	4						
34	1	26106-080502	BOLT, M8X 50 PLATED	7	7						
35	1	124160-01751	COVER, FILLER	1	1						
36	1	129601-11350	BONNET ASSY, HEAD	1	1						
37	2	129004-03010	PLATE	1	1						
38	2	129150-03070	BAFFLE, BREATHER	1	1						
39	2	119802-03110	PLATE	1	1						
40	2	119802-03121	COVER, DIAPHRAGM	1	1						
41	2	119802-03130	DIAPHRAGM	1	1						
42	2	119802-03141	SPRING, DIAPHRAGM	1	1						
44	2	129601-11310	GASKET, BONNET	1	1						
45	2	22857-500100	SCREW, 5X10	4	4						
46	2	22857-500100	SCREW, 5X10	4	4						
47	1	124160-11360	KNOB	3	3						
48	1	24311-000120	O-RING, 1AP12.0	3	3						
49	1	24311-000320	O-RING, 1AP32.0	1	1						
50	1	129900-07900	LIFTER	2	2						
51	1	26106-080162	BOLT, M8X 16 PLATED	4	4						1
52	1	129008-77800	PLUG, GLOW	4	4						
53	1	129604-77821	CONNECTOR, GLOW PLUG	1	1						
54	1	120130-11860	GUIDE, VALVE	4	4						1
55	1	129150-11810	GUIDE, VALVE	4	4						1

Remarks
(1)Spare parts.

Fig.5. SUCTION MANIFOLD & AIR CLEANER

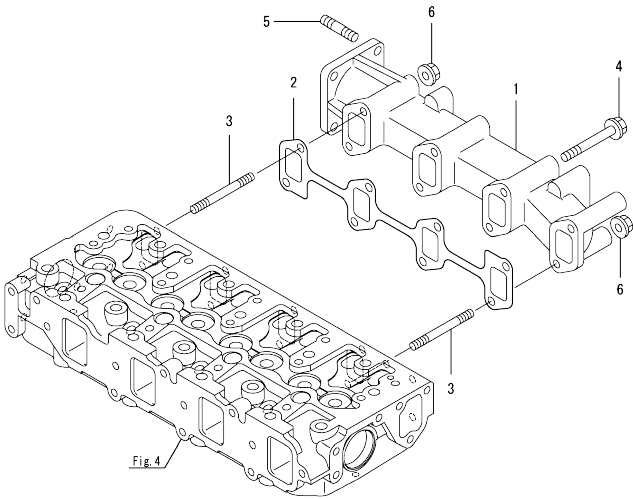
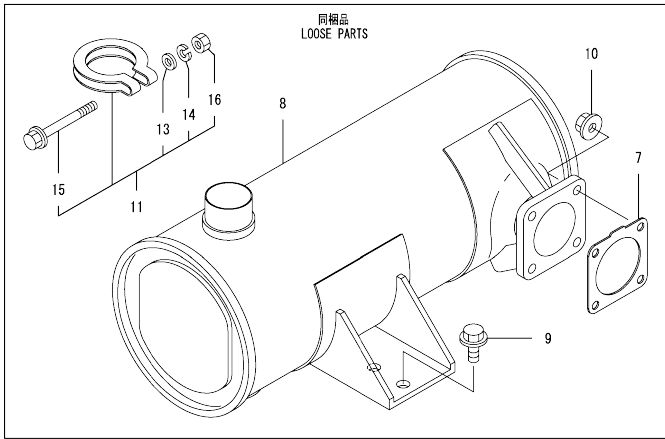


(A)=4TNV88-ZSTB
(B)=4TNV88-ZSTB1
(C)=

(D)=
(E)=
(F)=

No.	Lev.	Parts No.	Description	Q'ty					
				(A)	(B)	(C)	(D)	(E)	(F)
1	1	129601-03080	PIPE, BREATHER	1	1				
2	2	129410-03990	CLIP,HOSE 21.5	2	2				
3	1	129601-12100	MANIFOLD, AIR INTAKE	1	1				
4	1	129407-12110	GASKET, MANIFOLD	1	1				
5	1	26106-080202	BOLT, M8X 20 PLATED	6	6				
6	1	26106-080802	BOLT, M8X 80 PLATED	1	1				
7	1	129150-77511	GASKET	1	1				
8	1	119803-77520	BEND, AIR HEATER	1	1				
9	1	26106-080202	BOLT, M8X 20 PLATED	2	2				
10	1	26106-080802	BOLT, M8X 80 PLATED	2	2				
11	1	129236-12510	CLEANER ASSY, AIR	1	1				
12	2	119808-12520	ELEMENT	1	1				
13	2	129418-12530	LABEL, MARK	2	2				
14	2	119808-12540	VALVE, UNLOADER	1	1				
15	2	119866-12541	COVER ASSY	1	1				
16	2	129259-12570	RING	1	1				
17	2	119140-12680	INDICATOR	1	1				

Fig.6. EXHAUST MANIFOLD & SILENCER

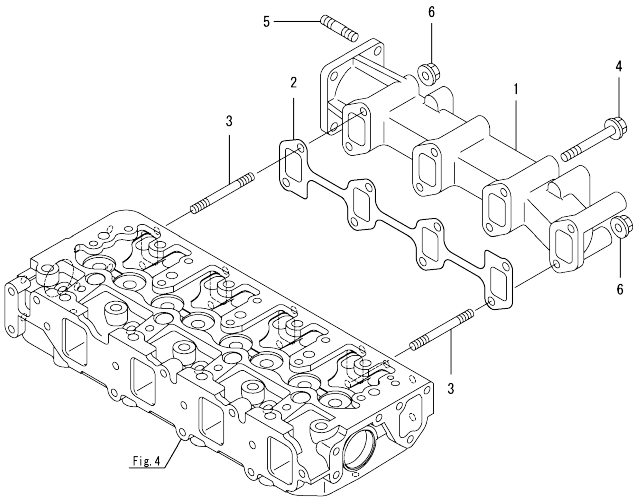
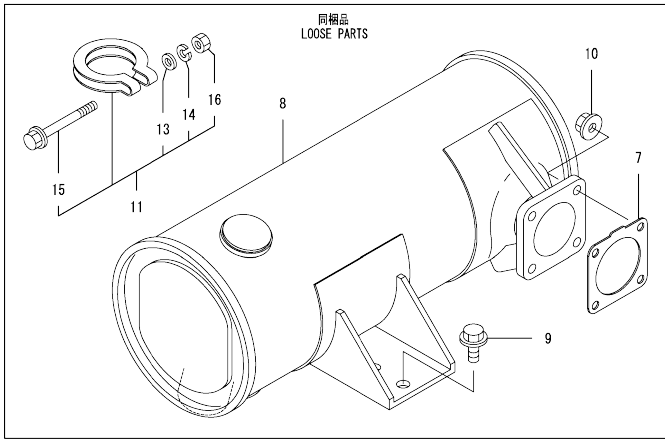


(A)=4TNV88-ZSTB
(B)=4TNV88-ZSTB1
(C)=

(D)=
(E)=
(F)=

No.	Lev.	Parts No.	Description	Q'ty						I	R
				(A)	(B)	(C)	(D)	(E)	(F)		
1	1	129640-13109	MANIFOLD, EXHAUST	1							
2	1	129550-13110	GASKET	1							
3	1	123900-13610	STUD, M8X80	2							
4	1	129E00-13640	BOLT, M8X80 10.9T	6							
5	1	119131-18320	STUD, M8X22	4							
6	1	26306-080002	NUT, M8	2							
7	1	129930-13201	GASKET, SILENCER	1							
8	1	129642-13520	SILENCER	1							
9	1	26106-100162	BOLT, M10X 16 PLATED	2							
10	1	26306-080002	NUT, M8	4							
11	1	129642-13590	CLAMP ASSY	1							
13	2	22117-100000	WASHER, 10	1							
14	2	22217-100000	WASHER, SPRING 10	1							
15	2	26106-100652	BOLT, M10X 65 PLATED	1							
16	2	26706-100002	NUT, M10	1							

Fig.7. EXHAUST MANIFOLD & SILENCER

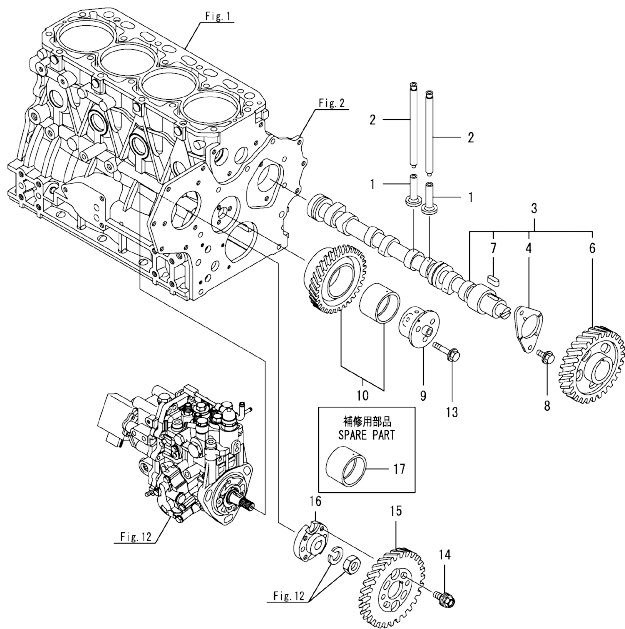


(A)=4TNV88-ZSTB
(B)=4TNV88-ZSTB1
(C)=

(D)=
(E)=
(F)=

No.	Lev.	Parts No.	Description	Q'ty						I	R	
				(A)	(B)	(C)	(D)	(E)	(F)			
1	1	129640-13109	MANIFOLD, EXHAUST		1							
2	1	129550-13110	GASKET		1							
3	1	123900-13610	STUD, M8X80		2							
4	1	129E00-13640	BOLT, M8X80 10.9T		6							
5	1	119131-18320	STUD, M8X22		4							
6	1	26306-080002	NUT, M8		2							
7	1	129930-13201	GASKET, SILENCER		1							
8	1	129642-13530	SILENCER		1							
9	1	26106-100162	BOLT, M10X 16 PLATED		2							
10	1	26306-080002	NUT, M8		4							
11	1	129642-13590	CLAMP ASSY		1							
13	2	22117-100000	WASHER, 10		1							
14	2	22217-100000	WASHER, SPRING 10		1							
15	2	26106-100652	BOLT, M10X 65 PLATED		1							
16	2	26706-100002	NUT, M10		1							

Fig.8. CAMSHAFT & DRIVING GEAR



(A)=4TNV88-ZSTB
(B)=4TNV88-ZSTB1
(C)=

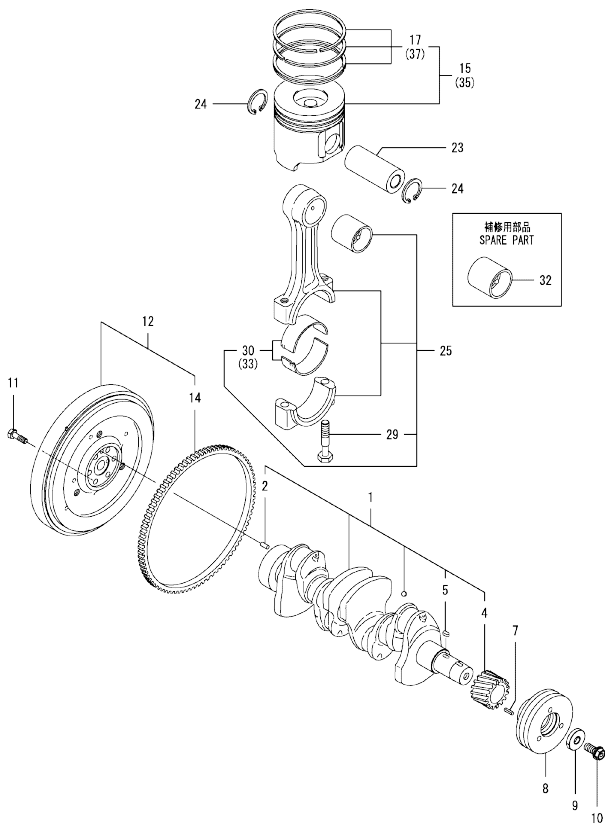
(D)=
(E)=
(F)=

No.	Lev.	Parts No.	Description	Q'ty						I	R	
				(A)	(B)	(C)	(D)	(E)	(F)			
1	1	129150-14200	TAPPET		8	8						
2	1	129150-14400	ROD, PUSH L=178		8	8						
3	1	729402-14580	CAMSHAFT ASSY		1	1						
4	2	129150-02450	BEARING, THRUST		1	1						
6	2	129150-14101	GEAR, CAMSHAFT		1	1						
7	2	22512-070140	KEY, 7X 14		1	1						
8	1	26106-080142	BOLT, M8X 14 PLATED		2	2						
9	1	119803-25050	SHAFT, IDLE		1	1						
10	1	119802-25101	GEAR ASSY, IDLE		1	1						
13	1	26106-080402	BOLT, M8X 40 PLATED		3	3						
14	1	129150-25301	BOLT, M8X 40		4	4						
15	1	119802-25901	GEAR, PUMP		1	1						
16	1	158552-51151	FLANGE		1	1						
17	1	119802-25071	BUSH, IDLE GEAR		1	1						1

Remarks

(1)Spare parts.

Fig.9. CRANKSHAFT & PISTON



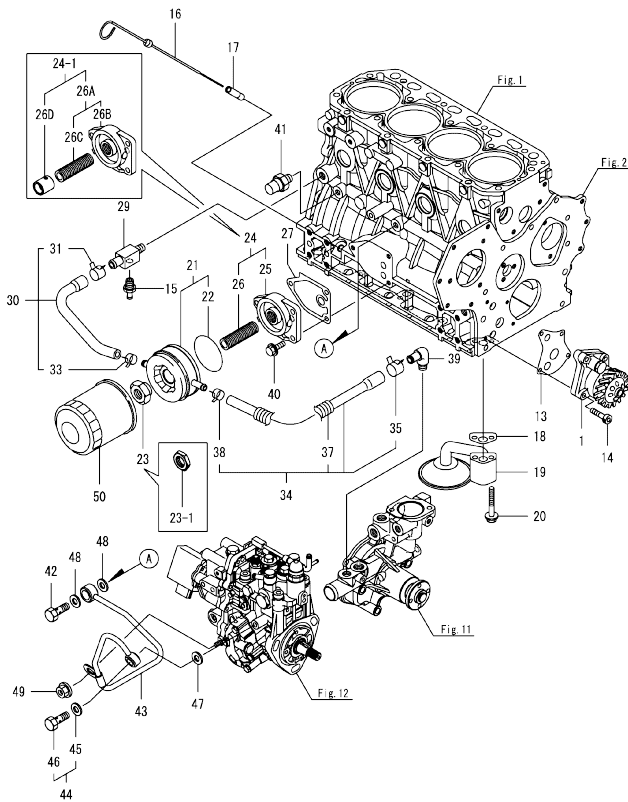
(A)=4TNV88-ZSTB
(B)=4TNV88-ZSTB1
(C)=

(D)=
(E)=
(F)=

No.	Lev.	Parts No.	Description	Q'ty						I	R
				(A)	(B)	(C)	(D)	(E)	(F)		
1	1	129604-21000	CRANKSHAFT ASSY	1	1						
2	2	129100-01580	PIN, 8X16	1	1						
4	2	119803-21200	GEAR, CRANKSHAFT	1	1						
5	2	22512-070140	KEY, 7X 14	1	1						
7	1	22351-030010	PIN, SPRING 3.0X10	1	1						
8	1	119802-21660	V-PULLEY, 120	1	1						
9	1	129795-21661	WASHER	1	1						
10	1	121850-21680	BOLT	1	1						
11	1	121111-21501	BOLT, FLYWHEEL	6	6						
12	1	129642-21590	FLYWHEEL ASSY	1	1						
14	2	119865-21600	GEAR, RING	1	1						
15	1	129005-22080	PISTON ASSY	4	4						
17	2	129005-22500	RING SET, PISTON	4	4						
23	1	129202-22300	PIN, PISTON D26 L70	4	4						
24	1	22252-000260	RING, 26	8	8						
25	1	729402-23100	ROD ASSY, CONNECTING	4	4						
29	2	121550-23200	BOLT, CONNECTING ROD	8	8						
30	2	129150-23601	BEARING, CRANK PIN	4	4						
32	1	129100-23910	BEARING, PISTON PIN	4	4						1
33	1	129150-23611	BEARING, 0.25 US	4	4						2
35	1	129005-22900	PISTON ASSY, 0.25 OS	4	4						3
37	2	129005-22950	RING SET, 0.25 OS	4	4						3

Remarks
(1) Spare parts.
(2) Under-sized (U.S.=0.25) parts.
(3) Over-sized (O.S.=0.25) parts.

Fig.10. LUB. OIL SYSTEM



(A)=4TNV88-ZSTB
(B)=4TNV88-ZSTB1
(C)=

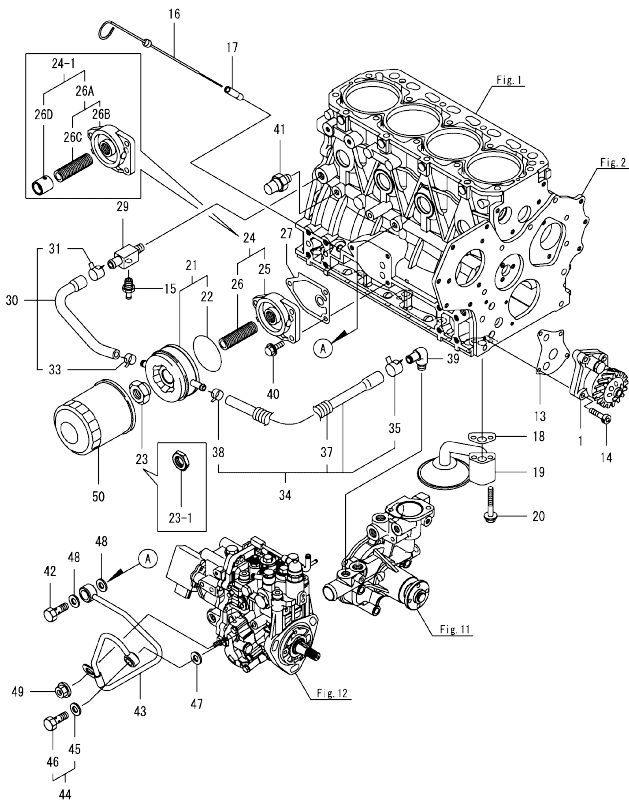
(D)=
(E)=
(F)=

No.	Lev.	Parts No.	Description	Q'ty						I	R
				(A)	(B)	(C)	(D)	(E)	(F)		
1	1	129407-32001	PUMP ASSY, OIL	1	1						
13	1	129150-32020	GASKET, PUMP	1	1						
14	1	26450-060252	BOLT, M6X 25	4	4						
15	1	121550-49111	JOINT, PT1/4	1	1						
16	1	129004-34802	DIPSTICK, OIL	1	1						
17	1	121520-34810	GUIDE, DIPSTICK	1	1						
18	1	129150-35042	GASKET, INLET PIPE	1	1						
19	1	129436-35070	PIPE ASSY, OIL INLET	1	1						
20	1	26106-080552	BOLT, M8X 55 PLATED	2	2						
21	1	129508-33010	COOLER ASSY, OIL	1	1						
21-1	1	129508-33031	COOLER ASSY, OIL	1	1						R
		(A=E165377) (B=E135231)									
22	2	129508-33050	O-RING	1	1						
22-1	2	129508-33060	GASKET, COOLER	1	1						R
		(A=E165377) (B=E135231)									
23	1	129417-33111	NUT, OIL COOLER	1	1						
23-1	1	124085-35350	NUT, M20	1	1						F 2
		(A=E165377) (B=E135231)									
24	1	129006-35100	BRACKET ASSY, FILTER	1	1						
24-1	1	129508-35100	BRACKET ASSY, LO FILT	1	1						F 2
		(A=E165377) (B=E135231)									
25	2	119802-35110	BRACKET, FILTER	1	1						Z
		(A=E165377) (B=E135231)									
26	2	129417-35150	STUD, M20X67	1	1						Z
		(A=E165377) (B=E135231)									
26A	2	129006-35100	BRACKET ASSY, FILTER	1	1						W
		(A=E165377) (B=E135231)									
26B	3	119802-35110	BRACKET, FILTER	1	1						W
		(A=E165377) (B=E135231)									
26C	3	129417-35150	STUD, M20X67	1	1						W
		(A=E165377) (B=E135231)									
26D	2	129508-35150	COLLAR, OIL-COOLER	1	1						W
		(A=E165377) (B=E135231)									
27	1	129150-35111	GASKET, BRACKET	1	1						
29	1	129006-44480	JOINT, R02	1	1						
30	1	129508-49030	HOSE ASSY, COOLER IN	1	1						
31	2	171008-03990	CLAMP, HOSE 18.5	1	1						
33	2	23080-015000	CLAMP, 15	1	1						
34	1	129508-49040	HOSE ASSY, COOLER OUT	1	1						
35	2	171008-03990	CLAMP, HOSE 18.5	1	1						
37	2	119940-59130	TUBE, CORRUGATED 19	1	1						
38	2	23080-015000	CLAMP, 15	1	1						
39	1	129103-49301	ELBOW, PT1/4	1	1						
40	1	26106-080202	BOLT, M8X 20 PLATED	3	3						
41	1	124298-39450	SWITCH, HYDRAULIC	1	1						
42	1	124160-39140	BOLT, PIPE JOINT M10	1	1						
43	1	119802-39450	PIPE ASSY, OIL	1	1						
44	1	129005-59830	BOLT ASSY, JOINT M8	1	1						
45	2	22190-080002	WASHER, SEAL 8	1	1						
46	2	23857-030000	BOLT, JOINT 3	1	1						
47	1	22190-080002	WASHER, SEAL 8	1	1						

Remarks

- (1) Spare parts.
- (2) Interchangeable by simultaneous replacement with No.23-1, 24-1.

Fig.10. LUB. OIL SYSTEM



(A)=4TNV88-ZSTB
(B)=4TNV88-ZSTB1
(C)=

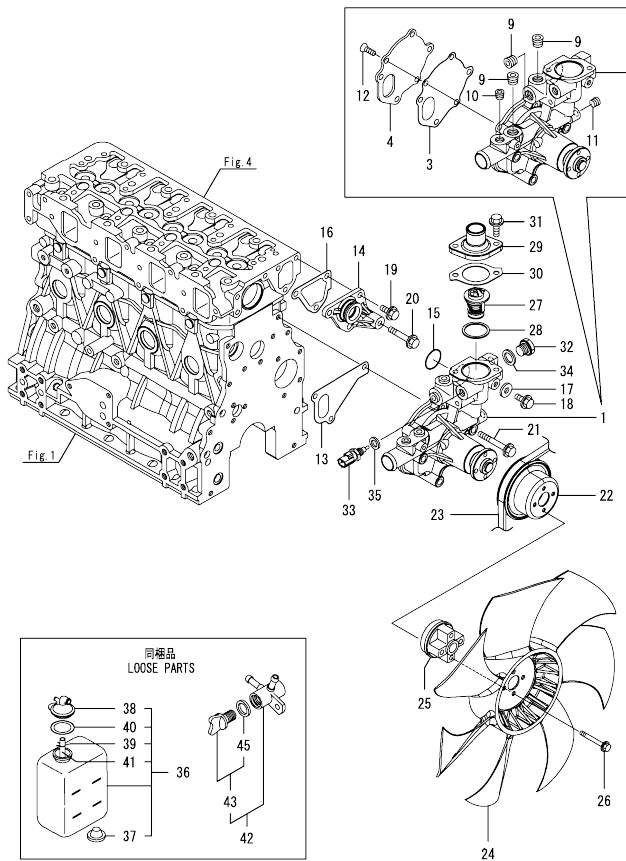
(D)=
(E)=
(F)=

No.	Lev.	Parts No.	Description	Q'ty						
				(A)	(B)	(C)	(D)	(E)	(F)	
48	1	22190-100002	WASHER, SEAL 10	2	2					
49	1	26366-060002	NUT, M6	1	1					
50	1	119005-35151	FILTER, OIL D80X100	1	1					1

Remarks

- (1) Spare parts.
- (2) Interchangeable by simultaneous replacement with No.23-1, 24-1.

Fig.11. COOLING WATER SYSTEM

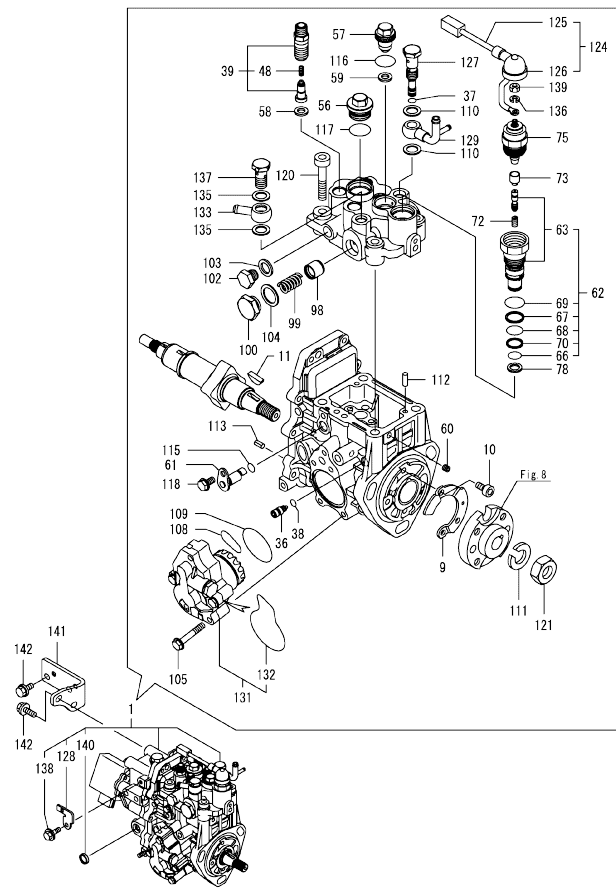


(A)=4TNV88-ZSTB
(B)=4TNV88-ZSTB1
(C)=

(D)=
(E)=
(F)=

No.	Lev.	Parts No.	Description	Qty					
				(A)	(B)	(C)	(D)	(E)	(F)
1	1	129237-42000	PUMP ASSY, CW	1	1				
3	2	129100-42051	GASKET, WATER PUMP	1	1				
4	2	129100-42121	PLATE	1	1				
9	2	129916-49740	PLUG, R03	3	3				
10	2	23875-020000	PLUG, R02	1	1				
11	2	23876-010000	PLUG, R01	1	1				
12	2	26577-060142	SCREW M 6X 14	3	3				
13	1	129486-42021	GASKET, WATER PUMP	1	1				
14	1	129004-42040	JOINT	1	1				
15	1	129486-42140	O-RING, G30	1	1				
16	1	124395-49840	GASKET	1	1				
17	1	23414-080000	GASKET, 8X1.0	1	1				
18	1	26106-080122	BOLT, M8X 12 PLATED	1	1				
19	1	26106-080162	BOLT, M8X 16 PLATED	3	3				
20	1	26106-080452	BOLT, M8X 45 PLATED	1	1				
21	1	26106-080602	BOLT, M8X 60 PLATED	3	3				
22	1	129556-42350	V-PULLEY, 96	1	1				
23	1	129612-42350	V-BELT, A38	1	1				
24	1	129655-44740	FAN, COOLING D380	1	1				
25	1	129030-44760	SPACER, FAN L38.5	1	1				
26	1	26106-060502	BOLT, M6X 50 PLATED	4	4				
27	1	129457-49801	THERMOSTAT, 82	1	1				
28	1	129150-49811	GASKET, THERMOSTAT	1	1				
29	1	129350-49530	COVER, THERMOSTAT	1	1				
30	1	129795-49551	GASKET	1	1				
31	1	26106-080222	BOLT, M8X 22 PLATED	2	2				
32	1	121450-42450	PLUG, M16	1	1				
33	1	129927-44900	SENSOR, THERMO CW	1	1				
34	1	124465-44950	GASKET, 16	1	1				
35	1	22190-120002	WASHER, SEAL 12	1	1				
36	1	129466-44510	TANK ASSY, SUB	1	1				
37	2	121468-44540	PLUG	1	1				
38	2	121450-44531	CAP	1	1				
39	2	124450-44560	RETAINER	1	1				
40	2	121470-44581	GASKET	1	1				
41	2	121267-44590	PIPE	1	1				
42	1	129150-49100	COCK ASSY, 3-WAY	1	1				
43	2	129150-49080	COCK, DRAIN	1	1				
45	3	119629-49080	GASKET	1	1				

Fig.12. FUEL INJECTION PUMP



(A)=4TNV88-ZSTB
(B)=4TNV88-ZSTB1
(C)=

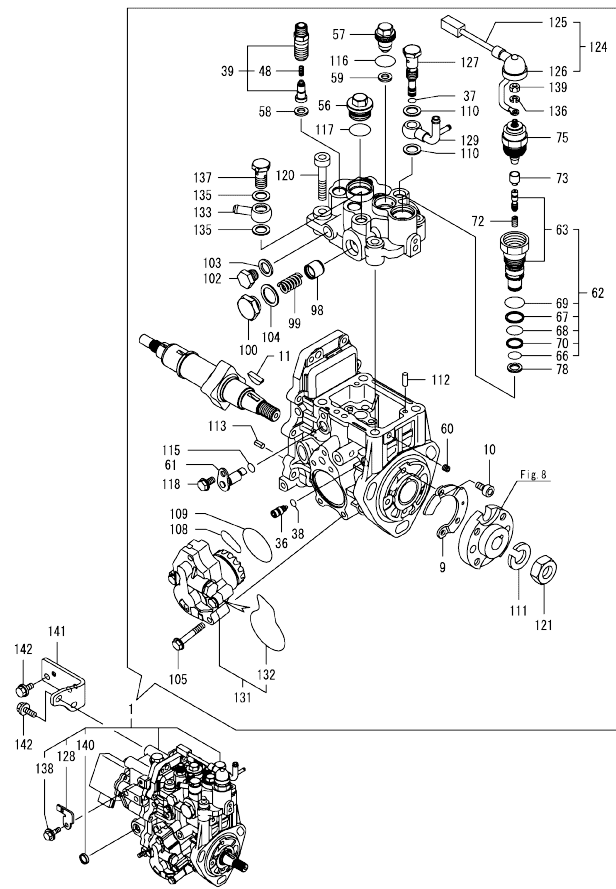
(D)=
(E)=
(F)=

No.	Lev.	Parts No.	Description	Q'ty						I	R
				(A)	(B)	(C)	(D)	(E)	(F)		
1	1	729631-51350	PUMP ASSY, INJECTION	1	1						1
9	2	129008-51900	COVER, PUMP	1	1						
10	2	129008-51920	BOLT, M6X10	2	2						
11	2	119802-51090	KEY, FEATHER 4X16	1	1						
36	2	158600-51270	STOPPER, TAPPET	1	1						
37	2	158563-51281	O-RING, 4D S6	1	1						
38	2	158563-51281	O-RING, 4D S6	1	1						
39	2	129008-51390	VALVE ASSY, DELIVERY	4	4						
48	3	158563-51330	SPRING, DELIVERY	4	4						
56	2	158601-51550	PLUG, M22	1	1						
57	2	119802-51560	PLUG, BARREL M14	1	1						
58	2	158552-51571	GASKET, BARREL PLUG	4	4						
59	2	158552-51571	GASKET, BARREL PLUG	1	1						
60	2	158557-51570	PLUG, RACK	1	1						
61	2	158552-51580	LIFTER, LINK	1	1						
62	2	129657-51590	TIMER ASSY	1	1						
63	3	129657-51600	TIMER ASSY	1	1						
66	3	158553-51670	O-RING, PUMP TIMER	1	1						
67	3	119802-51680	RING, BACKUP	1	1						
68	3	119802-51690	O-RING, 1016	1	1						
69	3	24356-190200	O-RING, 4D19020	1	1						
70	3	24372-000150	RING, BACK UP T2P15	1	1						
72	2	119852-51630	SPRING, TIMER	1	1						
73	2	119852-51640	CAP, TIMER	1	1						
75	2	119852-51650	VALVE ASSY, SOLENOID	1	1						
78	2	158553-51680	GASKET, TIMER	1	1						
98	2	158601-51770	PISTON, ACCUMULATOR	1	1						
99	2	158552-51781	SPRING, ACCUMULATOR	1	1						
100	2	158601-51790	PLUG, ACCUMULATOR	1	1						
102	2	158553-51930	PLUG, M12	1	1						
103	2	22190-120002	WASHER, SEAL 12	1	1						
104	2	22190-180002	WASHER, SEAL 18	1	1						
105	2	158553-51770	BOLT	4	4						
108	2	158552-52311	O-RING, FEED PUMP	1	1						
109	2	158552-52400	O-RING, 4E S42	1	1						
110	2	22190-120002	WASHER, SEAL 12	2	2						
111	2	22217-140000	WASHER, SPRING 14	1	1						
112	2	22312-050140	PIN, PARALLEL 5X14	2	2						
113	2	22351-050010	PIN, SPRING 5.0X10	2	2						
115	2	24311-000070	O-RING, 1AP7.0	1	1						
116	2	24356-190180	O-RING, 4D19018	1	1						
117	2	24356-190200	O-RING, 4D19020	1	1						
118	2	26106-060102	BOLT, M6X 10 PLATED	1	1						
120	2	26450-080452	BOLT, M8X 45	4	4						
121	2	26776-140002	NUT, LOCK M14	1	1						
124	2	129927-51650	HARNESS ASSY, WIRE	1	1						
125	3	129927-51660	HARNESS	1	1						
126	3	129263-77941	CAP, RUBBER	1	1						
127	2	158601-51650	JOINT, OVERFLOW	1	1						
128	2	129927-51670	BRACKET	1	1						
129	2	158552-51670	JOINT, OVERFLOW	1	1						

Remarks

(1)Governor(Fig.13) is incorporated in this Fuel Injection Pump(No.1).

Fig.12. FUEL INJECTION PUMP



(A)=4TNV88-ZSTB
(B)=4TNV88-ZSTB1
(C)=

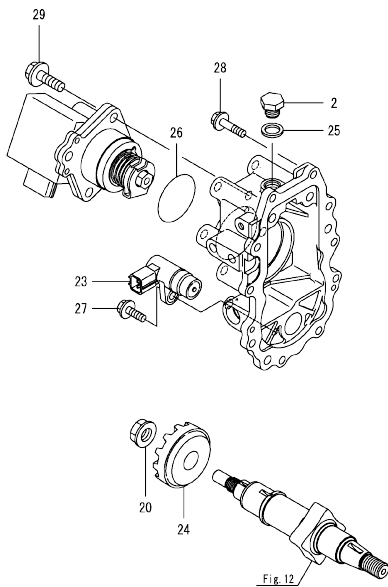
(D)=
(E)=
(F)=

No.	Lev.	Parts No.	Description	Q'ty					
				(A)	(B)	(C)	(D)	(E)	(F)
131	2	158552-52100	PUMP ASSY, FUEL FEED	1	1				
132	3	158552-52500	O-RING, PUMP INNER	1	1				
133	2	129916-59020	JOINT, PIPE 12	1	1				
135	2	22190-120002	WASHER, SEAL 12	2	2				
136	2	22217-050000	WASHER, SPRING 5	1	1				
137	2	23857-060000	BOLT, JOINT 6	1	1				
138	2	26106-060122	BOLT, M6X 12 PLATED	1	1				
139	2	26716-050002	NUT, M5	1	1				
140	2	27241-160000	PLUG, 16	1	1				
141	1	129263-51251	RETAINER, FUEL PUMP	1	1				
142	1	26106-080162	BOLT, M8X 16 PLATED	4	4				

Remarks

(1)Governor(Fig.13) is incorporated in this Fuel Injection Pump(No.1).

Fig.13. GOVERNOR



(A)=4TNV88-ZSTB
(B)=4TNV88-ZSTB1
(C)=

(D)=
(E)=
(F)=

No.	Lev.	Parts No.	Description	Q'ty					
				(A)	(B)	(C)	(D)	(E)	(F)
2	2	158553-51930	PLUG, M12	1	1				
20	2	129008-61301	NUT, SUPPORT	1	1				
23	2	158557-61720	SENSOR, ROTATION	1	1				
24	2	158553-61780	GEAR, SENSOR	1	1				
25	2	22190-120002	WASHER, SEAL 12	1	1				
26	2	24341-000480	O-RING, 1AS48.0	1	1				
27	2	26106-060162	BOLT, M6X 16 PLATED	1	1				
28	2	26106-060202	BOLT, M6X 20 PLATED	10	10				
29	2	26106-080252	BOLT, M8X 25 PLATED	3	3				

Remarks

* This figure(Governor) is incorporated in the Fuel Injection Pump(Fig.12).

(A)=4TNV88-ZSTB
 (B)=4TNV88-ZSTB1
 (C)=

(D)=
 (E)=
 (F)=

No.	Lev.	Parts No.	Description	Q'ty					
				(A)	(B)	(C)	(D)	(E)	(F)
1	1	729236-53100	VALVE ASSY,INJECTION	4	4				
2	2	129236-53000	VALVE ASSY,INJECTION	4	4				
5	2	114250-53080	NUT, NOZZLE D16.95	4	4				
11	2	114250-53120	SPRING, NOZZLE	4	4				
12	2	114250-53130	SEAT, SPRING	4	4				
13	2	114250-53140	PLATE	4	4				
14	2	114250-53210	PIN	8	8				
15	2	119803-53400	SHIM SET	4	4				
42	1	129150-59120	RETAINER, PIPE	1	1				
45	2	129150-59131	BOLT, M4X14	2	2				
46	1	129550-59120	RETAINER, PIPE	1	1				
49	2	129150-59131	BOLT, M4X14	2	2				
51	1	129601-59810	PIPE ASSY, INJECTION	1	1				
55	1	129601-59820	PIPE ASSY, INJECTION	1	1				
59	1	129601-59830	PIPE ASSY, INJECTION	1	1				
63	1	129601-59840	PIPE ASSY, INJECTION	1	1				
68	1	119802-59550	PIPE ASSY, RETURN	1	1				
69	2	124722-59050	CLIP, HOSE 9	2	2				
70	2	119802-59560	PIPE, FUEL RETURN	1	1				
71	1	129486-59551	PIPE ASSY, RETURN	3	3				
72	2	124722-59050	CLIP, HOSE 9	6	6				
74	1	119593-59581	CAP	1	1				
75	1	124060-77680	CLIP, HOSE 10	1	1				

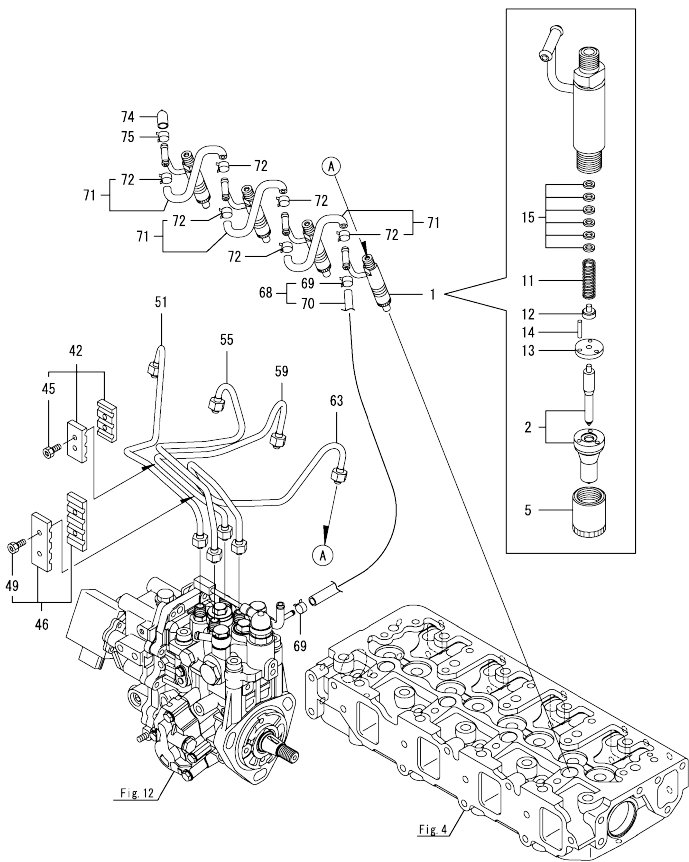
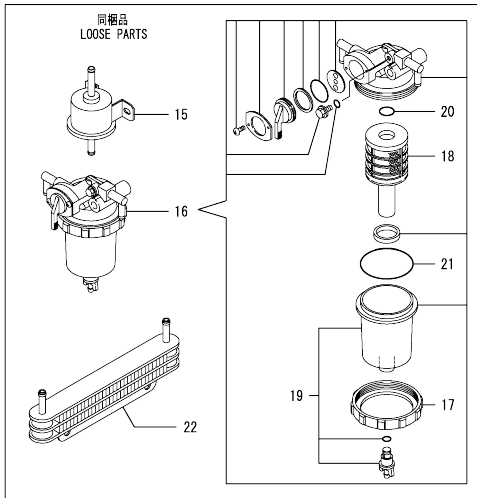
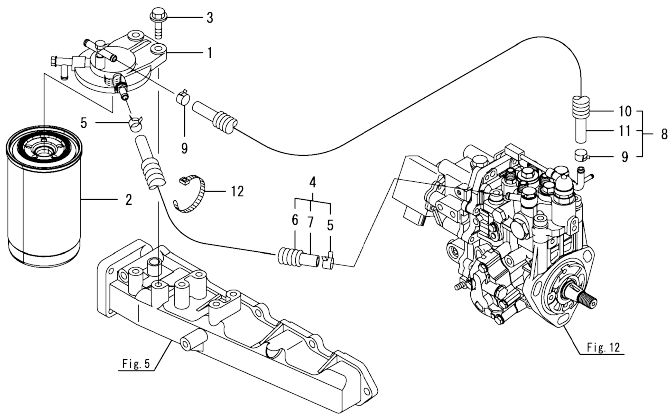


Fig.15. FUEL PIPE

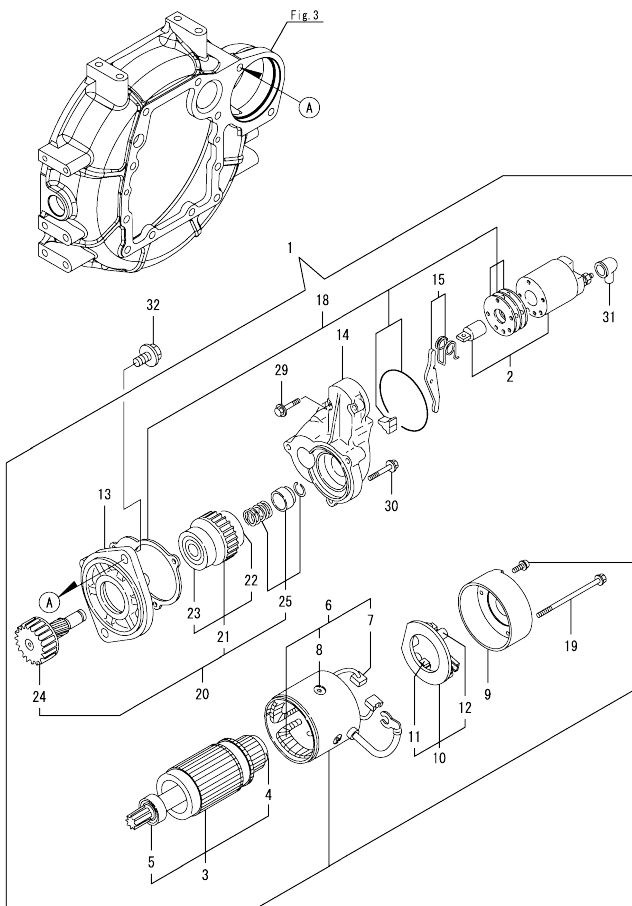


(A)=4TNV88-ZSTB
(B)=4TNV88-ZSTB1
(C)=

(D)=
(E)=
(F)=

No.	Lev.	Parts No.	Description	Qty						I	R
				(A)	(B)	(C)	(D)	(E)	(F)		
1	1	129004-55612	BRACKET, FILTER	1	1						
2	1	129907-55801	FILTER, FUEL	1	1						
3	1	26106-080302	BOLT, M8X 30 PLATED	2	2						
4	1	129630-59010	HOSE ASSY, FUEL	1	1						
5	2	124766-59050	CLAMP, HOSE 11.5	2	2						
6	2	129961-59110	TUBE, CORRUGATED 15	1	1						
7	2	105025-59560	HOSE, FUEL	1	1						
8	1	129956-59010	HOSE ASSY, FUEL	1	1						
8-1	1	129950-59211	HOSE ASSY, FUEL	1	1						N
		(A=EU1053) (B=EU2321)									
9	2	124766-59050	CLAMP, HOSE 11.5	2	2						
10	2	129957-59101	TUBE, CORRUGATED 15	1	1						
10-1	2	129950-59221	TUBE, CORRUGATED 15	1	1						N
		(A=EU1053) (B=EU2321)									
11	2	105225-59511	HOSE, FUEL	1	1						
11-1	2	105025-59530	HOSE, FUEL D13X400	1	1						N
		(A=EU1053) (B=EU2321)									
12	1	121750-59890	BAND, NYLON	1	1						
15	1	129612-52100	PUMP, FUEL FEED	1	1						
16	1	129906-55711	SEPARATOR ASSY,WATER	1	1						
17	2	129100-55690	NUT, RETAINING	1	1						
18	2	119802-55710	ELEMENT, FUEL	1	1						
19	2	119802-55730	CUP ASSY, SEPARATOR	1	1						
20	2	24311-000160	O-RING, 1AP16.0	1	1						
21	2	24321-000650	O-RING, 1AG65.0	1	1						
22	1	129973-55900	COOLER, FUEL	1	1						

Fig.16. STARTER MOTOR

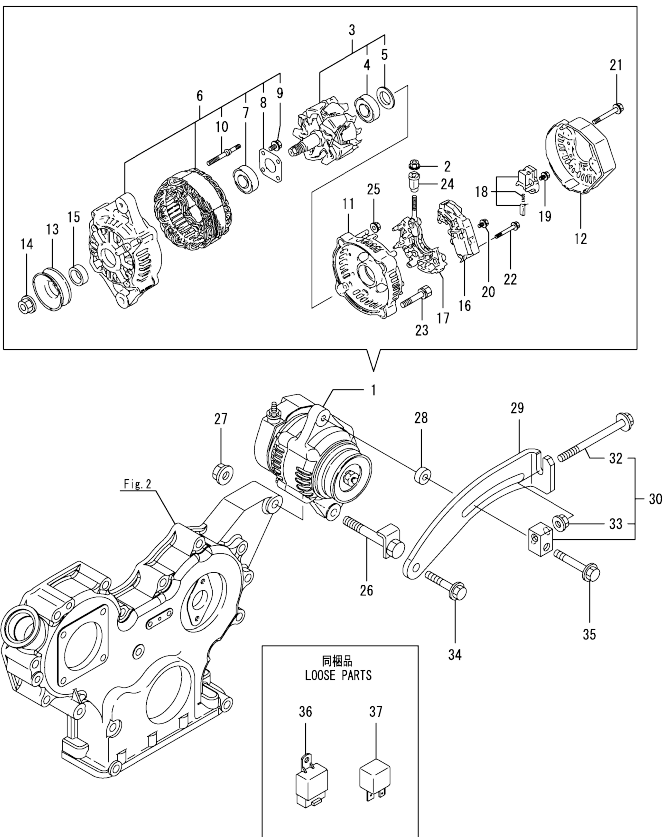


(A)=4TNV88-ZSTB
(B)=4TNV88-ZSTB1
(C)=

(D)=
(E)=
(F)=

No.	Lev.	Parts No.	Description	Q'ty						I	R
				(A)	(B)	(C)	(D)	(E)	(F)		
1	1	129136-77011	STARTER	1	1						
2	2	129136-77310	SWITCH ASSY	1	1						
3	2	129900-77400	ARMATURE ASSY	1	1						
4	3	X2130350900	BEARING, BALL	1	1						
5	3	X2114255110	BEARING, BALL	1	1						
6	2	129900-77440	COIL ASSY, FIELD	1	1						
7	3	129900-77450	BRUSH	2	2						
8	3	171008-77450	SCREW	4	4						
9	2	129900-77460	COVER	1	1						
10	2	129900-77480	HOLDER ASSY, BRUSH	1	1						
11	3	129900-77450	BRUSH	2	2						
12	3	129400-77490	SPRING	4	4						
13	2	171008-77510	CASE, GEAR	1	1						
14	2	129136-77520	HOUSING	1	1						
15	2	171008-77540	LEVER SET	1	1						
18	2	129400-77571	COVER ASSY, DUST	1	1						
19	2	129900-77640	BOLT, THROUGH	2	2						
20	2	171008-77650	PINION ASSY	1	1						
21	3	X2114555500	CLUTCH ASSY	1	1						
22	4	X2114955020	BEARING, BALL	1	1						
23	4	X2240410100	BEARING, BALL	1	1						
24	3	171008-77660	SHAFT	1	1						
25	3	171008-77670	STOPPER SET	1	1						
29	2	26106-060322	BOLT, M6X 32 PLATED	2	2						
30	2	26106-060402	BOLT, M6X 40 PLATED	3	3						
31	2	171008-77750	COVER	1	1						
32	1	26106-120252	BOLT, M12X 25 PLATED	2	2						

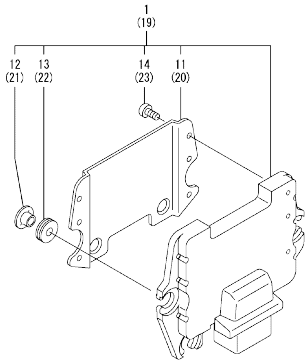
Fig.17. GENERATOR



No.	Lev.	Parts No.	Description	Q'ty						
				(A)	(B)	(C)	(D)	(E)	(F)	
1	1	129961-77200	GENERATOR, 12V-55A	1	1					
2	2	X9490561001	NUT	1	1					
3	2	129052-77380	ROTOR ASSY	1	1					
4	3	123501-79240	BEARING, BALL	1	1					
5	3	119620-79250	COVER	1	1					
6	2	129961-77421	FRAME ASSY	1	1					
7	3	119620-79200	BEARING, BALL	1	1					
8	3	119620-79210	PLATE, RETAINER	1	1					
9	3	119620-79220	SCREW	4	4					
10	3	119620-79230	STUD	2	2					
11	2	128401-77440	FRAME	1	1					
12	2	128401-77450	COVER	1	1					
13	2	119620-77461	PULLEY	1	1					
14	2	119620-77471	NUT	1	1					
15	2	119620-77490	COLLAR	1	1					
16	2	119620-77710	REGULATOR ASSY	1	1					
17	2	129052-79260	HOLDER	1	1					
18	2	129052-79270	HOLDER, BRUSH	1	1					
19	2	119620-79290	SCREW	6	6					
20	2	119620-79300	SCREW	1	1					
21	2	119620-79310	BOLT	3	3					
22	2	119620-79320	SCREW	2	2					
23	2	119620-79330	BOLT	2	2					
24	2	119620-79340	BUSH, INSULATION	1	1					
25	2	119620-79350	NUT	2	2					
26	1	119740-77251	BOLT, M10X80	1	1					
27	1	26306-100002	NUT, M10	1	1					
28	1	119940-77270	SPACER, GENERATOR	1	1					
29	1	119940-77310	ADJUSTER	1	1					
30	1	119624-77351	BLOCK ASSY, ADJUSTER	1	1					
32	2	26106-081004	BOLT, M8X100 PLATED	1	1					
33	2	26306-080002	NUT, M8	1	1					
34	1	26106-080452	BOLT, M8X 45 PLATED	1	1					
35	1	26106-080552	BOLT, M8X 55 PLATED	1	1					
36	1	172B02-17150	RELAY,CA C TYPE	2	2					
37	1	129927-77920	RELAY	2	2					

N:Old $\frac{New}{Old}$ New, Q:Old $\frac{New}{Old}$ New, R:Old $\frac{New}{Old}$ New, S:Old $\frac{New}{Old}$ New, W:Add, Z:Discontinued, F:Interchangeable by set, K:Q'ty Change
 Copyright (C) 2015 YANMAR GLOBAL CS CO., LTD. All Rights Reserved.

Fig.18. ELECTRONIC CONTROL UNIT(ECU)



(A)=4TNV88-ZSTB
(B)=4TNV88-ZSTB1
(C)=

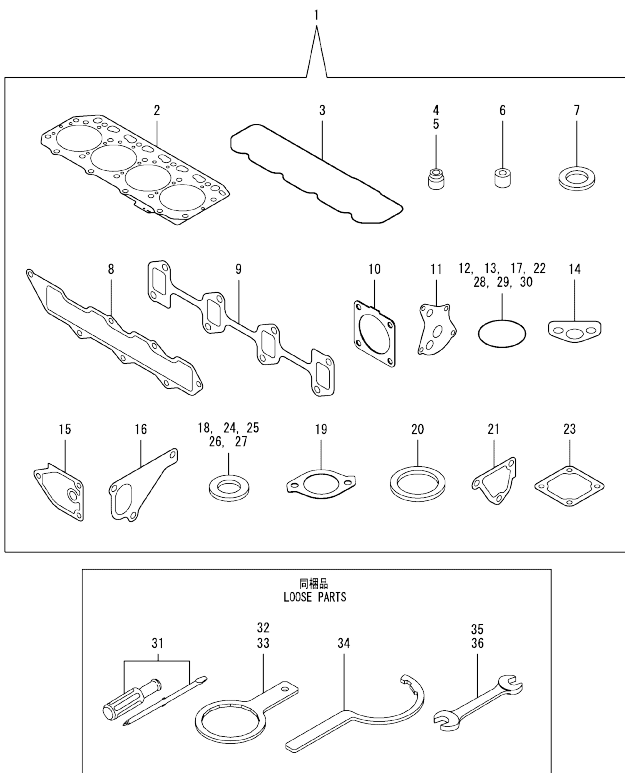
(D)=
(E)=
(F)=

No.	Lev.	Parts No.	Description	Q'ty						
				(A)	(B)	(C)	(D)	(E)	(F)	
1	1	129631-75040	ECU ASSY,4TNV88-ZSTB	1	1					1
11	2	129927-77600	SHIELD	1	1					
12	2	129927-77680	COLLAR	3	3					
13	2	119578-91351	ABSORBER	3	3					
14	2	22877-500080	SCREW, 5X 8	6	6					
19	1	129927-75900	CONTROLLER ASSY, ECU	1	1					2
20	2	129927-77600	SHIELD	1	1					
21	2	129927-77680	COLLAR	3	3					
22	2	119578-91351	ABSORBER	3	3					
23	2	22877-500080	SCREW, 5X 8	6	6					

Remarks

- (1)Eco ECU
- This part cannot be ordered.
- Replace the part using a Service ECU with the proper engine information installed.
- (2)Service ECU
- If the proper information is not installed, the engine will not operate.
- To install proper information, go to an authorized distributor.

Fig.19. GASKET SET



(A)=4TNV88-ZSTB
(B)=4TNV88-ZSTB1
(C)=

(D)=
(E)=
(F)=

No.	Lev.	Parts No.	Description	Q'ty						I	R	
				(A)	(B)	(C)	(D)	(E)	(F)			
1	1	129604-92600	GASKET SET	1	1						1	
2	2	129407-01340	GASKET, HEAD	1	1							
3	2	129601-11310	GASKET, BONNET	1	1							
4	2	121400-11340	SEAL, VALVE STEM	4	4							
5	2	124460-11340	SEAL, VALVE STEM	4	4							
6	2	119802-11870	PROTECTOR, NOZZLE	4	4							
7	2	119625-11880	SEAT, NOZZLE	4	4							
8	2	129407-12110	GASKET, MANIFOLD	1	1							
9	2	129550-13110	GASKET	1	1							
10	2	129930-13201	GASKET, SILENCER	2	2							
11	2	129150-32020	GASKET, PUMP	1	1							
12	2	119609-32040	O-RING, P16	2	2							
13	2	129508-33050	O-RING	1	1							
14	2	129150-35042	GASKET	1	1							
15	2	129150-35111	GASKET	1	1							
16	2	129486-42021	GASKET, WATER PUMP	1	1							
17	2	129486-42140	O-RING, G30	1	1							
18	2	124465-44950	GASKET, 16	2	2							
19	2	129795-49551	GASKET	1	1							
20	2	129150-49811	GASKET, THERMOSTAT	1	1							
21	2	124395-49840	GASKET	1	1							
22	2	121850-51960	O-RING	1	1							
23	2	129150-77511	GASKET	1	1							
24	2	22190-080002	WASHER, SEAL 8	7	7							
25	2	22190-100002	WASHER, SEAL 10	2	2							
26	2	22190-220002	WASHER, SEAL 22	1	1							
27	2	23414-080000	GASKET, 8X1.0	1	1							
28	2	24311-000120	O-RING, 1AP12.0	3	3							
29	2	24311-000320	O-RING, 1AP32.0	3	3							
30	2	24341-000240	O-RING, 1AS24.0	1	1							
31	1	104200-92350	DRIVER, SCREW	1	1							
32	1	119640-92750	WRENCH, FILTER 80	1	1							
33	1	171301-92750	WRENCH, FILTER	1	1							
34	1	171340-92760	WRENCH, FILTER	1	1							
35	1	28110-100120	SPANNER, 10X12	1	1							
36	1	28110-140170	SPANNER, 14X17	1	1							

Remarks
(1)Optional parts.

Parts No. Index

Parts No.	Fig. No.	Ref. No.
104200-92350	19	31
105025-59530	15	11 -1
105025-59560	15	7
105225-59511	15	11
114250-53080	14	5
114250-53120	14	11
114250-53130	14	12
114250-53140	14	13
114250-53210	14	14
119005-35151	10	50
119131-18320	6	5
	7	5
119140-12680	5	17
119578-91351	18	13
		22
119593-59581	14	74
119609-32040	2	9
	19	12
119620-01750	3	3
119620-77461	17	13
119620-77471	17	14
119620-77490	17	15
119620-77710	17	16
119620-79200	17	7
119620-79210	17	8
119620-79220	17	9
119620-79230	17	10
119620-79250	17	5
119620-79290	17	19
119620-79300	17	20
119620-79310	17	21
119620-79320	17	22
119620-79330	17	23
119620-79340	17	24
119620-79350	17	25
119624-77351	17	30
119625-11880	4	28
	19	7
119629-49080	11	45
119640-01640	3	8
119640-92750	19	32
119740-77251	17	26
119802-01561	2	5
119802-03110	4	39
119802-03121	4	40
119802-03130	4	41
119802-03141	4	42
119802-11260	4	4
119802-11270	4	5
119802-11870	4	27

Parts No.	Fig. No.	Ref. No.
119802-11870	19	6
119802-21660	9	8
119802-25071	8	17
119802-25101	8	10
119802-25901	8	15
119802-35110	10	25
		26 B
119802-39450	10	43
119802-51090	12	11
119802-51560	12	57
119802-51680	12	67
119802-51690	12	68
119802-55710	15	18
119802-55730	15	19
119802-59550	14	68
119802-59560	14	70
119803-01520	2	4
119803-21200	9	4
119803-25050	8	9
119803-53400	14	15
119803-77520	5	8
119808-12520	5	12
119808-12540	5	14
119852-51630	12	72
119852-51640	12	73
119852-51650	12	75
119865-21600	9	14
119866-12541	5	15
119934-01800	2	3
119940-59130	10	37
119940-77270	17	28
119940-77310	17	29
120130-11860	4	54
120270-54410	4	30
121023-01551	2	19
121111-21501	9	11
121267-44590	11	41
121400-11340	4	23
	19	4
121450-42450	11	32
121450-44531	11	38
121468-44540	11	37
121470-44581	11	40
121520-34810	10	17
121550-23200	9	29
121550-49111	10	15
121750-59890	15	12
121850-21680	9	10
121850-51960	2	10
	19	22

Parts No.	Fig. No.	Ref. No.
123501-79240	17	4
123900-13610	6	3
	7	3
124060-01050	1	4
124060-77680	14	75
124085-35350	10	23 -1
124160-01751	2	6
	4	35
124160-01910	1	6
		7
124160-11360	4	47
124160-39140	10	42
124240-01871	2	7
124298-39450	10	41
124395-49840	11	16
	19	21
124450-44560	11	39
124460-11340	4	24
	19	5
124465-44950	11	34
	19	18
124722-59050	14	69
		72
124766-59050	15	5
		9
128401-77440	17	11
128401-77450	17	12
129001-01250	1	5
129001-02931	1	29
129004-03010	4	37
129004-11650	4	7
129004-11900	4	29
129004-34802	10	16
129004-42040	11	14
129004-55612	15	1
129005-11100	4	19
129005-22080	9	15
129005-22500	9	17
129005-22900	9	35
129005-22950	9	37
129005-59830	10	44
129006-35100	10	24
		26 A
129006-44480	10	29
129008-51390	12	39
129008-51900	12	9
129008-51920	12	10
129008-61301	13	20
129008-77800	4	52
129030-44760	11	25

Parts No.	Fig. No.	Ref. No.
129052-77380	17	3
129052-79260	17	17
129052-79270	17	18
129100-01580	3	1
	9	2
129100-11112	4	20
129100-23910	9	32
129100-42051	11	3
129100-42121	11	4
129100-55690	15	17
129103-49301	10	39
129136-77011	16	1
129136-77310	16	2
129136-77520	16	14
129150-01200	1	27
129150-02020	1	9
129150-02450	8	4
129150-02871	1	32
129150-02931	1	24
129150-02941	1	35
129150-03070	4	38
129150-11230	4	8
129150-11280	4	6
129150-11370	4	12
129150-11750	4	10
129150-11810	4	55
129150-14101	8	6
129150-14200	8	1
129150-14400	8	2
129150-23601	9	30
129150-23611	9	33
129150-25301	8	14
129150-32020	10	13
	19	11
129150-35042	10	18
	19	14
129150-35111	10	27
	19	15
129150-49080	11	43
129150-49100	11	42
129150-49811	11	28
	19	20
129150-59120	14	42
129150-59131	14	45
	49	49
129150-77511	5	7
	19	23
129202-22300	9	23
129236-12510	5	11

Parts No. Index

Parts No.	Fig. No.	Ref. No.
129236-53000	14	2
129237-42000	11	1
129259-12570	5	16
129263-51251	12	141
129263-77941	12	126
129350-49530	11	29
129400-01730	3	6
129400-77490	16	12
129400-77571	16	18
129407-01340	1	28
	19	2
129407-12110	5	4
	19	8
129407-32001	10	1
129410-03990	5	2
129417-33111	10	23
129417-35150	10	26
	26	C
129418-12530	5	13
129436-35070	10	19
129457-49801	11	27
129466-44510	11	36
129486-01670	3	19
129486-42021	11	13
	19	16
129486-42140	11	15
	19	17
129486-59551	14	71
129508-33010	10	21
129508-33031	10	21
129508-33050	10	22
	19	13
129508-33060	10	22
129508-35100	10	24
129508-35150	10	26
129508-49030	10	30
129508-49040	10	34
129550-13110	6	2
	7	2
	19	9
129550-59120	14	46
129556-42350	11	22
129601-03080	5	1
129601-11241	4	1
129601-11251	4	2
129601-11310	4	44
	19	3
129601-11350	4	36
129601-12100	5	3
129601-59810	14	51

Parts No.	Fig. No.	Ref. No.
129601-59820	14	55
129601-59830	14	59
129601-59840	14	63
129604-11700	4	13
129604-21000	9	1
129604-77821	4	53
129604-92600	19	1
129612-01600	3	2
129612-42350	11	23
129612-52100	15	15
129630-59010	15	4
129631-75040	18	1
129640-13109	6	1
	7	1
129642-13520	6	8
129642-13530	7	8
129642-13590	6	11
	7	11
129642-21590	9	12
129648-01600	3	16
129648-01780	3	18
129655-44740	11	24
129657-51590	12	62
129657-51600	12	63
129688-01780	3	7
129795-01950	2	8
129795-02412	1	12
129795-11120	4	21
129795-11180	4	22
129795-21661	9	9
129795-49551	11	30
	19	19
129900-07900	4	50
129900-77400	16	3
129900-77440	16	6
129900-77450	16	7
	11	
129900-77460	16	9
129900-77480	16	10
129900-77640	16	19
129906-55711	15	16
129907-55801	15	2
129916-49740	11	9
129916-59020	12	133
129927-44900	11	33
129927-51650	12	124
129927-51660	12	125
129927-51670	12	128
129927-75900	18	19
129927-77600	18	11

Parts No.	Fig. No.	Ref. No.
129927-77600	18	20
129927-77680	18	12
		21
129927-77920	17	37
129930-13201	6	7
	7	7
	19	10
129950-59211	15	8
129950-59221	15	10
129956-59010	15	8
129957-59101	15	10
129961-59110	15	6
129961-77200	17	1
129961-77421	17	6
129973-55900	15	22
129E00-13640	6	4
	7	4
158552-51151	8	16
158552-51571	12	58
		59
158552-51580	12	61
158552-51670	12	129
158552-51781	12	99
158552-52100	12	131
158552-52311	12	108
158552-52400	12	109
158552-52500	12	132
158553-51670	12	66
158553-51680	12	78
158553-51770	12	105
158553-51930	12	102
	13	2
158553-61780	13	24
158557-51570	12	60
158557-61720	13	23
158563-51281	12	37
	38	
158563-51330	12	48
158600-51270	12	36
158601-51550	12	56
158601-51650	12	127
158601-51770	12	98
158601-51790	12	100
171008-03990	10	31
		35
171008-77450	16	8
171008-77510	16	13
171008-77540	16	15
171008-77650	16	20
171008-77660	16	24

Parts No.	Fig. No.	Ref. No.
171008-77670	16	25
171008-77750	16	31
171031-11741	2	22
171051-01921	1	8
171301-92750	19	33
171340-92760	19	34
172B02-17150	17	36
22117-100000	6	13
	7	13
22190-080002	2	11
	10	45
		47
	19	24
22190-100002	10	48
	19	25
22190-120002	11	35
	12	103
		110
		135
	13	25
22190-180002	12	104
22190-220002	3	10
	19	26
22217-050000	12	136
22217-100000	6	14
	7	14
22217-140000	12	111
22252-000260	9	24
22312-050140	12	112
22351-030010	9	7
22351-050010	12	113
22351-060012	4	31
22512-070140	8	7
	9	5
22857-500100	4	45
		46
22877-500080	18	14
		23
23080-015000	10	33
		38
23414-080000	11	17
	19	27
23857-030000	10	46
23857-060000	12	137
23875-020000	11	10
23876-010000	11	11
24311-000070	12	115
24311-000120	4	48
	19	28
24311-000160	15	20

Parts No. Index

Parts No.	Fig. No.	Ref. No.
24311-000320	2	12
		23
	4	49
	19	29
24321-000650	15	21
24341-000240	2	20
	19	30
24341-000480	13	26
24356-190180	12	116
24356-190200	12	69
		117
24372-000150	12	70
26106-060102	12	118
26106-060122	12	138
26106-060162	2	21
	13	27
26106-060202	13	28
26106-060322	16	29
26106-060402	16	30
26106-060502	11	26
26106-080122	11	18
26106-080142	8	8
26106-080162	2	13
		14
	3	11
	4	51
	11	19
	12	142
26106-080202	5	5
		9
	10	40
26106-080222	11	31
26106-080252	3	12
	4	32
	13	29
26106-080302	2	15
	15	3
26106-080352	3	20
	4	33
26106-080402	8	13
26106-080452	3	13
	11	20
	17	34
26106-080502	3	14
	4	34
26106-080552	2	16
	10	20
	17	35
26106-080602	11	21
26106-080802	5	6

Parts No.	Fig. No.	Ref. No.
26106-080802	5	10
26106-080852	2	17
26106-081004	17	32
26106-100162	6	9
	7	9
26106-100652	6	15
	7	15
26106-120252	16	32
26206-100252	3	4
26206-100302	3	5
26226-080182	4	11
26306-080002	2	18
	6	6
	7	6
		10
	17	33
26306-100002	17	27
26366-060002	10	49
26450-060252	10	14
26450-080452	12	120
26577-060142	11	12
26706-100002	6	16
	7	16
26716-050002	12	139
26776-140002	12	121
27241-120000	1	13
27241-160000	12	140
27241-300000	1	14
27241-400000	4	18
27310-080001	4	25
28110-100120	19	35
28110-140170	19	36
729236-53100	14	1
729402-14580	8	3
729402-23100	9	25
729602-01560	1	1
729630-01500	2	1
729631-51350	12	1
X2114255110	16	5
X2114555500	16	21
X2114955020	16	22
X2130350900	16	4
X2240410100	16	23
X9490561001	17	2

Parts No.	Fig. No.	Ref. No.
-----------	----------	----------

Parts No.	Fig. No.	Ref. No.
-----------	----------	----------