

0CD11-M17200EN

P R E F A C E

1. This parts catalog is the 1st edition of 4TNV88-ZKHD for HOKUETSU INDUSTRIES CO.,LTD

Pub.No. : 0CD11-G17200

Published : June, 2012

2. Model name

Engine model	Vehicle	Vehicle made by
4TNV88-ZKHD	GENERATOR	HOKUETSU INDUSTRIES CO.,LTD

Directions for the Parts Catalog.

1. This Parts Catalog shows both standard and optional parts.
2. Parts may change without prior notice.
3. The following is an example of the Parts Catalog format.

REF.	LEV.	PARTS NO.	DESCRIPTION	Q'TY						I	R
				(A)	(B)	(C)	(D)	(E)	(F)		
1	1	729595-51390	FUEL INJECTION PUMP	1	1	1	1	1			1
1-1	1	729595-51391	FUEL INJECTION PUMP	1	1	1	1	1		N	1
		(A=E00185) (B=E00200)									
3	2	26022-060162	SCREW M 6X 16	9	9	9	9	9			
3-1	2	26022-060162	SCREW M 6X 16	4	4	4	4	4		K	
		(A=E00156) (B=E00156) (C=E00156) (D=E00156) (E=E00156)									
4	2	129470-51040	CAMSHAFT	1	1	1	1	1			
5	2	122710-51050	BEARING, ROLLER	2	2	2	2	2			
6	2	129470-51060	RETAINER	1	1	1	1	1			

Remarks
(1) BOOST COMPEMSATOR TYPE. OPTIONAL PART, TO E00155,(4JH-DT, 4JH-DTZ

① Ref. No.

The Ref. No. listed may not be in accordance with the illustration Ref. No.

(Ex.) Illustration No.

List Ref No.

1 1 (Before change) → 1-1 (After change)

For interchangeable symbols N, R and K, illustrations for new parts may be abbreviated.

② Lev. (Level)

Level indication

The numbers below indicate the level of relativity towards the main part.

1 ---- Main parts (Assembly parts)

2 ---- Sub component included in " 1 ".

3 ---- Sub component included in " 2 ".

Note) Parts that are not for sale are partially illustrated but not listed.

③ Interchangeability Symbol

When a part change takes place, one of the following interchangeability symbols is indicated beside the part.

Symbol	Interchangeability	Contents note
N	Old $\begin{matrix} \leftarrow \text{Yes} \\ \text{No} \rightarrow \end{matrix}$ New	New Part is interchangeable for Old Part but Old Part is not interchangeable for New Part.
Q	Old $\begin{matrix} \leftarrow \text{No} \\ \text{Yes} \rightarrow \end{matrix}$ New	New Part is not interchangeable for Old Part but Old Part is interchangeable for New Part.
R	Old $\begin{matrix} \leftarrow \text{Yes} \\ \text{Yes} \rightarrow \end{matrix}$ New	New/ Old Parts are both interchangeable.
S	Old $\begin{matrix} \leftarrow \text{No} \\ \text{No} \rightarrow \end{matrix}$ New	New/ Old Parts are both not interchangeable.
W		Part newly added.
Z		Part discontinued.
F		Not interchangeable by a single part but interchangeable together with related parts.
K		Changes only for used parts quantities.

④ Effective Machine No.

When a part changes, the effective Machine No. will be indicated in the (A)-(F) column.

Product Symbol	Product No.	Product Symbol	Product No.
C	Clutch No. Compressor No.	F	Machine No. (Agricultural Equip.)
D	Drive No.	M	Machine No.
E	Engine No.		

Note 1) A date may follow the symbol. (Ex.) 1996.01

Note 2) "XXXXX" and "ZZZZZ" are for parts that could not be predicted or for engine models that could not be identified.

Note 3) (A=E00185) is the E (Engine Serial Number) for the column (A) model (in this case 4JH-DT) after the parts design change.

⑤ Remarks

Figures or alphabets (symbols) are entered in the remarks column.

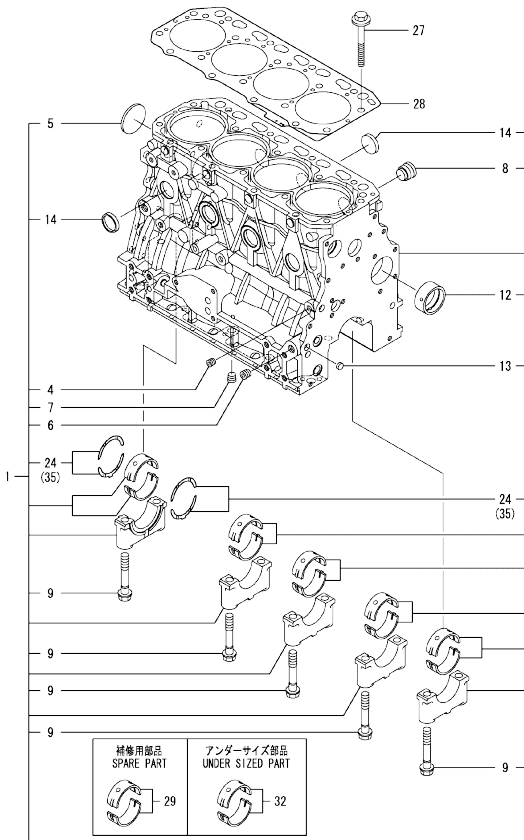
The comments (remarks) on parts that are indicated at the bottom of the illustration are the same symbols as those stated above.

Contents

OCD11-M17200

Fig. No.	Fig. Name	Fig. No.	Fig. Name
4	TNV88-ZKHD		
1.	CYLINDER BLOCK		
2.	GEAR HOUSING		
3.	FLYWHEEL HOUSING & OIL SUMP		
4.	CYLINDER HEAD & BONNET		
5.	SUCTION MANIFOLD		
6.	EXHAUST MANIFOLD		
7.	CAMSHAFT & DRIVING GEAR		
8.	CRANKSHAFT & PISTON		
9.	LUB. OIL SYSTEM		
10.	COOLING WATER SYSTEM		
11.	FUEL INJECTION PUMP		
12.	GOVERNOR		
13.	FUEL INJECTION VALVE		
14.	FUEL LINE		
15.	STARTING MOTOR		
16.	GENERATOR		
17.	ELECTRONIC CONTROL UNIT (ECU)		
18.	GASKET SET		

Fig.1. CYLINDER BLOCK



(A)=4TNV88-ZKHD
(B)=
(C)=

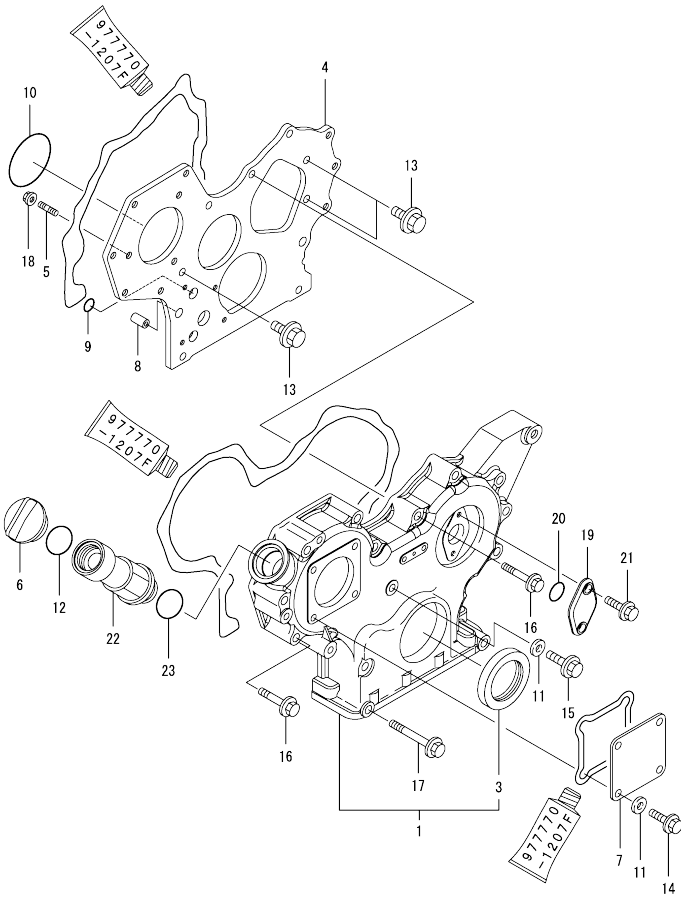
(D)=
(E)=
(F)=

No.	Lev.	Parts No.	Description	Q'ty						I	R
				(A)	(B)	(C)	(D)	(E)	(F)		
1	1	729602-01560	BLOCK ASSY, CYLINDER	1							
4	2	124060-01050	PLUG, PT1/8	1							
5	2	129001-01250	PLUG, 50	1							
6	2	124160-01910	PLUG, PT1/4	2							
7	2	124160-01910	PLUG, PT1/4	1							
8	2	171051-01921	PLUG, NPTF1	1							
9	2	129150-02020	BOLT, METAL CAP	10							
12	2	129795-02412	BUSH, CAMSHAFT	1							
13	2	27241-120000	PLUG, 12	2							
14	2	27241-300000	PLUG 30	8							
24	2	129150-02931	BEARING, THRUST	2							
27	1	129150-01200	BOLT, HEAD	18							
28	1	129407-01340	GASKET, HEAD	1							
29	1	129001-02931	BEARING, MAIN	5							1
32	1	129150-02871	BEARING, 0.25 US	5							2
35	1	129150-02941	BEARING, THRUST 0.25	1							3

Remarks
 (1)Spare part.
 (2)Under-sized(U.S.=0.25)part.
 (3)Over-sized(O.S.=0.25)part.

OCD11-M17200 4TNV88-ZKHD
 Fig.2. GEAR HOUSING

OCD11-M17200 Fig.2



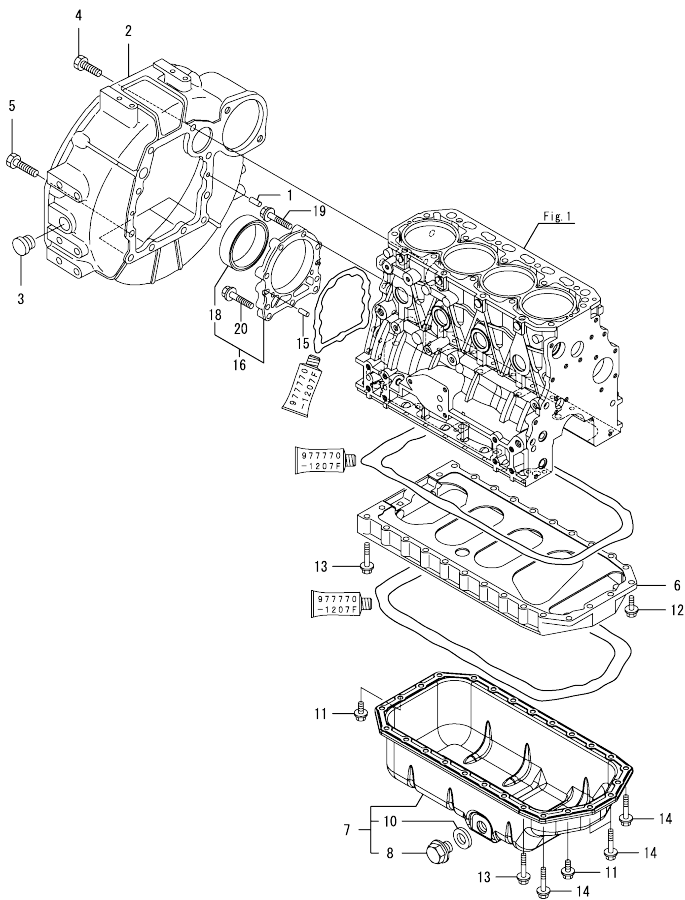
(A)=4TNV88-ZKHD
 (B)=
 (C)=

(D)=
 (E)=
 (F)=

No.	Lev.	Parts No.	Description	Q'ty						I	R
				(A)	(B)	(C)	(D)	(E)	(F)		
1	1	719803-01500	CASE ASSY, GEAR	1							
3	2	119934-01800	SEAL, OIL	1							
4	1	119803-01520	FLANGE, GEAR CASE	1							
5	1	119802-01561	STUD, M8X25	3							
6	1	124160-01751	COVER, FILLER	1							
7	1	124240-01871	COVER	1							
8	1	129795-01950	PIPE, KNOCK L=18	2							
9	1	119609-32040	O-RING, P16	2							
10	1	121850-51960	O-RING	1							
11	1	22190-080002	WASHER, SEAL 6	5							
12	1	24311-000320	O-RING, 1AP32.0	1							
13	1	26106-080162	BOLT, M8X 16 PLATED	3							
14	1	26106-080162	BOLT, M8X 16 PLATED	4							
15	1	26106-080302	BOLT, M8X 30 PLATED	1							
16	1	26106-080552	BOLT, M8X 55 PLATED	12							
17	1	26106-080852	BOLT, M8X 85 PLATED	3							
18	1	26306-080002	NUT, M8	3							
19	1	121023-01551	COVER	1							
20	1	24341-000240	O-RING, 1AS24.0	1							
21	1	26106-060162	BOLT, M6X 16 PLATED	2							
22	1	171031-11741	PIPE	1							
23	1	24311-000320	O-RING, 1AP32.0	1							

N:Old $\frac{100}{100}$ New, Q:Old $\frac{100}{100}$ New, R:Old $\frac{100}{100}$ New, S:Old $\frac{100}{100}$ New, W:Add, Z:Discontinued, F:Interchangeable by set, K:Q'ty Change
 Copyright (C) YANMAR GLOBAL CS CO., LTD. All Rights Reserved.

Fig.3. FLYWHEEL HOUSING & OIL SUMP

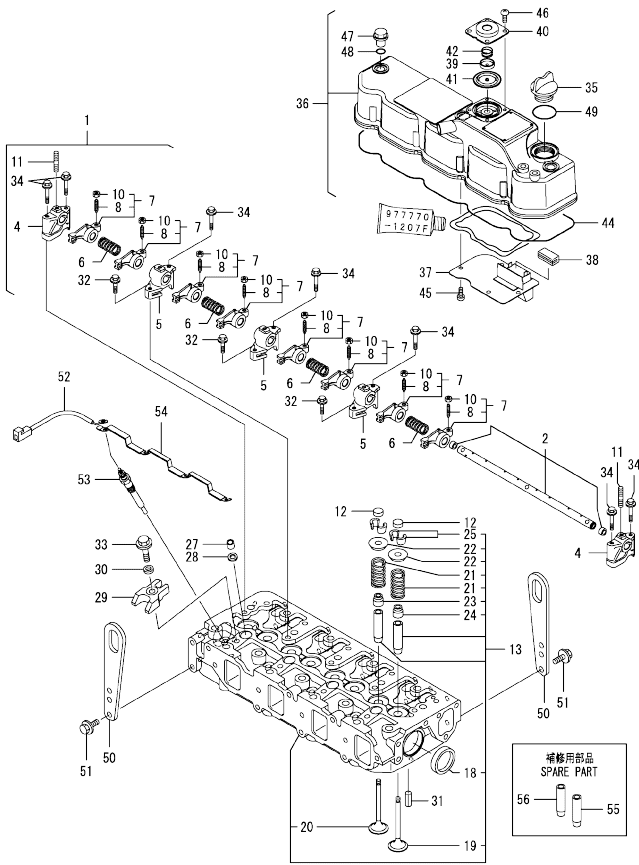


(A)=4TNV88-ZKHD
(B)=
(C)=

(D)=
(E)=
(F)=

No.	Lev.	Parts No.	Description	Q'ty						I	R
				(A)	(B)	(C)	(D)	(E)	(F)		
1	1	129100-01580	PIN, M8X16	2							
2	1	171420-01600	HOUSING, FLYWHEEL	1							
3	1	119620-01750	CAP	1							
4	1	26206-100252	BOLT, M10X 25 PLATED	6							
5	1	26206-100302	BOLT, M10X 30 PLATED	4							
6	1	129400-01730	SPACER, OIL SUMP	1							
7	1	129688-01780	OIL PAN ASSY, DEEP	1							
8	2	119640-01640	PLUG, DRAIN M22	1							
10	2	22190-220002	WASHER, SEAL 22	1							
11	1	26106-080162	BOLT, M8X 16 PLATED	4							
12	1	26106-080252	BOLT, M8X 25 PLATED	2							
13	1	26106-080452	BOLT, M8X 45 PLATED	20							
14	1	26106-080502	BOLT, M8X 50 PLATED	4							
15	1	129100-01580	PIN, M8X16	2							
16	1	129648-01600	CASE ASSY, OIL SEAL	1							
18	2	129648-01780	SEAL, OIL	1							
19	1	129486-01670	BOLT, M8X30	6							
20	1	26106-080352	BOLT, M8X 35 PLATED	3							

Fig.4. CYLINDER HEAD & BONNET



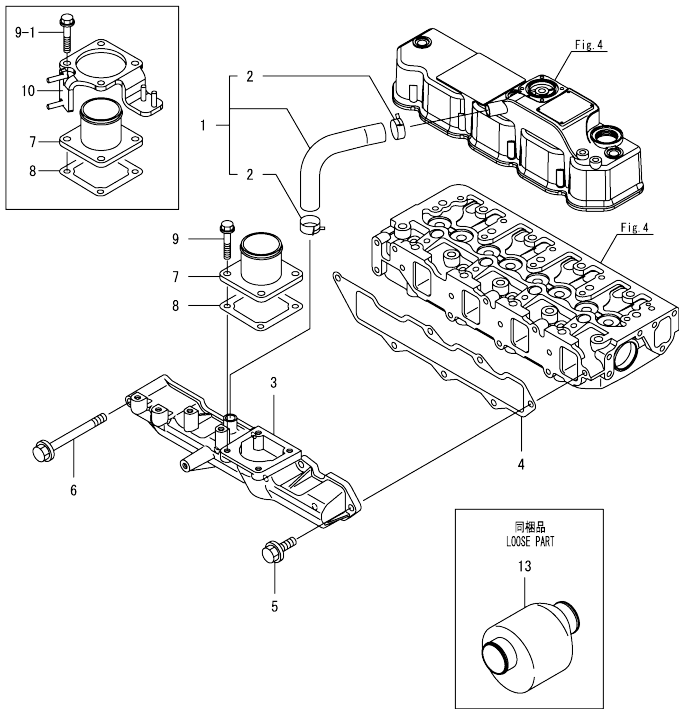
Remarks
(1)Spare part.

(A)=4TNV88-ZKHD
(B)=
(C)=

(D)=
(E)=
(F)=

No.	Lev.	Parts No.	Description	Q'ty						I	R
				(A)	(B)	(C)	(D)	(E)	(F)		
1	1	129601-11241	SHAFT ASSY, ROCKER	1							
2	2	129601-11251	SHAFT, ROCKER ARM	1							
4	2	119802-11260	SUPPORT, ROCKER ARM	2							
5	2	119802-11270	SUPPORT, ROCKER ARM	3							
6	2	129150-11280	SPRING	4							
7	2	129004-11650	ARM, ROCKER	8							
8	3	129150-11230	SCREW, VALVE ADJUST	8							
10	3	129150-11750	NUT, M8	8							
11	2	26226-080182	STUD, M8X 18	3							
12	1	129150-11370	CAP, VALVE	8							
13	1	129604-11700	HEAD ASSY, CYLINDER	1							
18	2	27241-400000	PLUG, 40	2							
19	2	129005-11100	VALVE, INTAKE	4							
20	2	129100-11112	VALVE, EXHAUST	4							
21	2	129795-11120	SPRING, VALVE	8							
22	2	129795-11180	RETAINER, SPRING	8							
23	2	121400-11340	SEAL, VALVE STEM	4							
24	2	124460-11340	SEAL, VALVE STEM	4							
25	2	27310-080001	COTTER, 8	8							
27	1	119802-11870	PROTECTOR, NOZZLE	4							
28	1	119625-11880	SEAT, NOZZLE	4							
29	1	129004-11900	RETAINER, NOZZLE	4							
30	1	120270-54410	WASHER, INJECTOR	4							
31	1	22351-060012	PIN, SPRING 6.0X12	2							
32	1	26106-080252	BOLT, M8X 25 PLATED	3							
33	1	26106-080352	BOLT, M8X 35 PLATED	4							
34	1	26106-080502	BOLT, M8X 50 PLATED	7							
35	1	124160-01751	COVER, FILLER	1							
36	1	129601-11350	BONNET ASSY, HEAD	1							
37	2	129004-03010	PLATE	1							
38	2	129150-03070	BAFFLE, BREATHER	1							
39	2	119802-03110	PLATE	1							
40	2	119802-03121	COVER, DIAPHRAGM	1							
41	2	119802-03130	DIAPHRAGM	1							
42	2	119802-03141	SPRING, DIAPHRAGM	1							
44	2	129601-11310	GASKET, BONNET	1							
45	2	22857-500100	SCREW, 5X10	4							
46	2	22857-500100	SCREW, 5X10	4							
47	1	124160-11360	KNOB	3							
48	1	24311-000120	O-RING, 1AP12.0	3							
49	1	24311-000320	O-RING, 1AP32.0	1							
50	1	129900-07900	LIFTER	2							
51	1	26106-080162	BOLT, M8X 16 PLATED	4							
52	1	119803-77830	HARNESS, WIRE	1							
52-1	1	129630-77800	HARNESS, WIRE	1							N
(A=EXXXXX)											
53	1	129008-77800	PLUG, GLOW	4							
54	1	129604-77821	CONNECTOR, GLOW PLUG	1							
55	1	120130-11860	GUIDE, VALVE	4							1
56	1	129150-11810	GUIDE, VALVE	4							1

Fig.5. SUCTION MANIFOLD

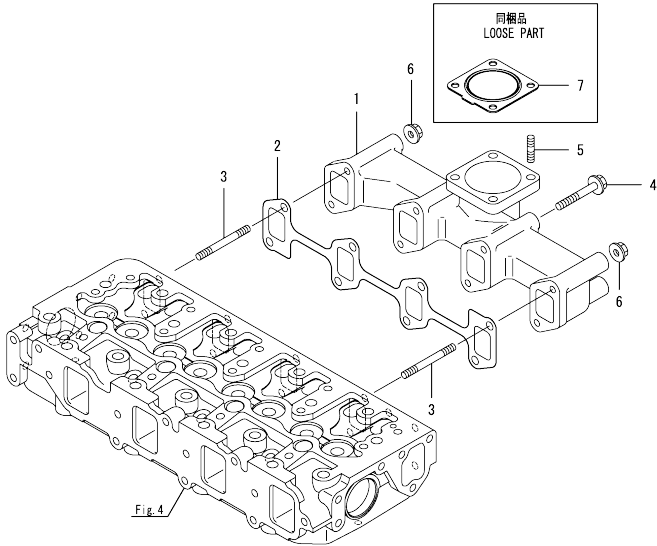


(A)=4TNV88-ZKHD
(B)=
(C)=

(D)=
(E)=
(F)=

No.	Lev.	Parts No.	Description	Q'ty						I	R
				(A)	(B)	(C)	(D)	(E)	(F)		
1	1	129005-03080	PIPE , BREATHER	1							
2	2	129410-03990	CLIP	2							
3	1	129602-12101	MANIFOLD, AIR INTAKE	1							
4	1	129407-12110	GASKET, MANIFOLD	1							
5	1	26106-080202	BOLT, M8X 20 PLATED	6							
6	1	26106-080802	BOLT, M8X 80 PLATED	1							
7	1	129486-12581	JOINT, MANIFOLD	1							
8	1	129150-77511	GASKET	1							
9	1	26106-080202	BOLT, M8X 20 PLATED	4							
9-1	1	26106-080252	BOLT, M8X 25 PLATED	4							N
		(A=EXXXXX)									
10	1	129688-59160	BRACKET ASSY, F.I.P.	1							W
		(A=EXXXXX)									
13	1	119160-12060	SILENCER ASSY	1							W
		(A=EXXXXX)									

Fig.6. EXHAUST MANIFOLD

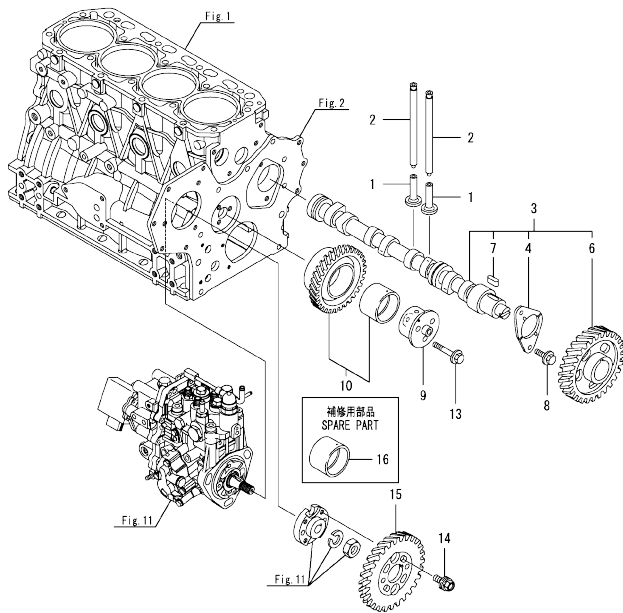


(A)=4TNV88-ZKHD
(B)=
(C)=

(D)=
(E)=
(F)=

No.	Lev.	Parts No.	Description	Q'ty					
				(A)	(B)	(C)	(D)	(E)	(F)
1	1	129411-13100	MANIFOLD, EXHAUST	1					
2	1	129550-13110	GASKET	1					
3	1	123900-13610	STUD, M8X80	2					
4	1	123900-13630	BOLT, M8X80	6					
5	1	119131-18320	STUD, M8X22	4					
6	1	26306-080002	NUT, M8	2					
7	1	129930-13201	GASKET, SILENCER	1					

Fig.7. CAMSHAFT & DRIVING GEAR



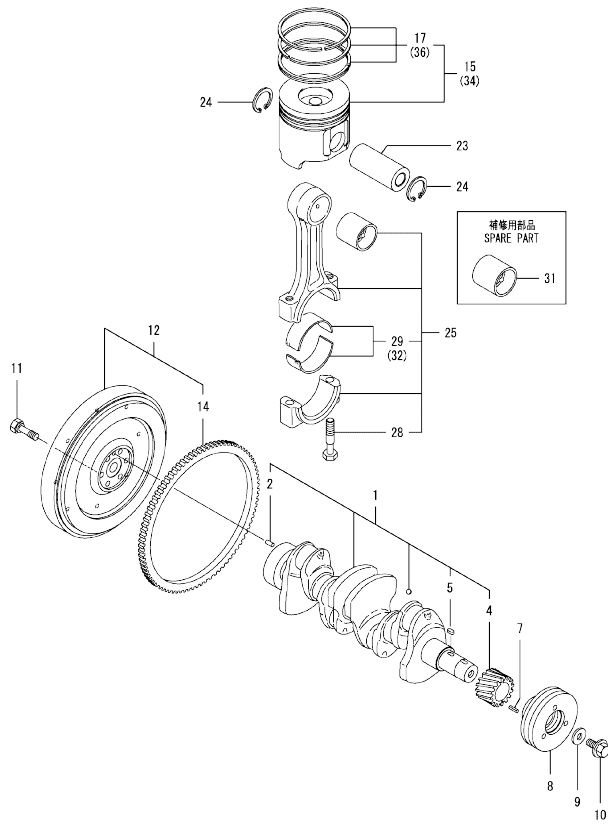
(A)=4TNV88-ZKHD
(B)=
(C)=

(D)=
(E)=
(F)=

No.	Lev.	Parts No.	Description	Q'ty						I	R
				(A)	(B)	(C)	(D)	(E)	(F)		
1	1	129150-14200	TAPPET	8							
2	1	129150-14400	ROD, PUSH L=178	8							
3	1	729402-14580	CAMSHAFT ASSY	1							
4	2	129150-02450	BEARING, THRUST	1							
6	2	129150-14101	GEAR, CAMSHAFT	1							
7	2	22512-070140	KEY, 7X 14	1							
8	1	26106-080142	BOLT, M8X 14 PLATED	2							
9	1	119803-25050	SHAFT, IDLE	1							
10	1	119802-25101	GEAR ASSY, IDLE	1							
13	1	26106-080402	BOLT, M8X 40 PLATED	3							
14	1	129150-25301	BOLT	4							
15	1	119802-25901	GEAR, PUMP	1							
16	1	119802-25071	BUSH, IDLE GEAR	1							1

Remarks
(1)Spare part.

Fig.8. CRANKSHAFT & PISTON



(A)=4TNV88-ZKHD
(B)=
(C)=

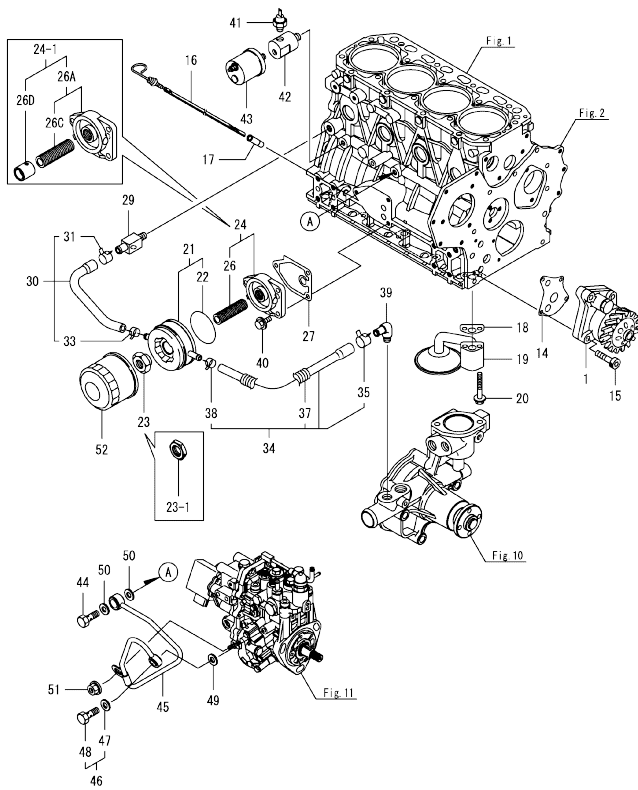
(D)=
(E)=
(F)=

No.	Lev.	Parts No.	Description	Q'ty						I	R
				(A)	(B)	(C)	(D)	(E)	(F)		
1	1	129604-21000	CRANKSHAFT ASSY	1							
2	2	129100-01580	PIN, M8X16	1							
4	2	119803-21200	GEAR, CRANKSHAFT	1							
5	2	22512-070140	KEY, 7X 14	1							
7	1	22351-030010	PIN, SPRING 3.0X10	1							
8	1	119802-21660	V-PULLEY, 120	1							
9	1	129795-21661	WASHER	1							
10	1	121850-21680	BOLT	1							
11	1	121111-21501	BOLT, FLYWHEEL	6							
12	1	171420-21590	FLYWHEEL ASSY	1							
14	2	124550-21600	GEAR, RING	1							
15	1	129005-22080	PISTON ASSY	4							
17	2	129005-22500	RING SET, PISTON	4							
23	1	129202-22300	PIN, PISTON D26 L70	4							
24	1	22252-000260	RING, 26	8							
25	1	729402-23100	ROD ASSY, CONNECTING	4							
28	2	121550-23200	BOLT, CONNECTING ROD	8							
29	2	129150-23601	BEARING, CRANK PIN	4							
31	1	129100-23910	BEARING, PISTON PIN	4							1
32	1	129150-23611	BEARING, 0.25 US	4							2
34	1	129005-22900	PISTON ASSY, 0.25 OS	4							3
36	2	129005-22950	RING SET, 0.25 OS	4							3

Remarks

- (1) Spare part.
- (2) Under-sized (U.S.=0.25) part.
- (3) Over-sized (O.S.=0.25) part.

Fig.9. LUB. OIL SYSTEM



(A)=4TNV88-ZKHD
(B)=
(C)=

(D)=
(E)=
(F)=

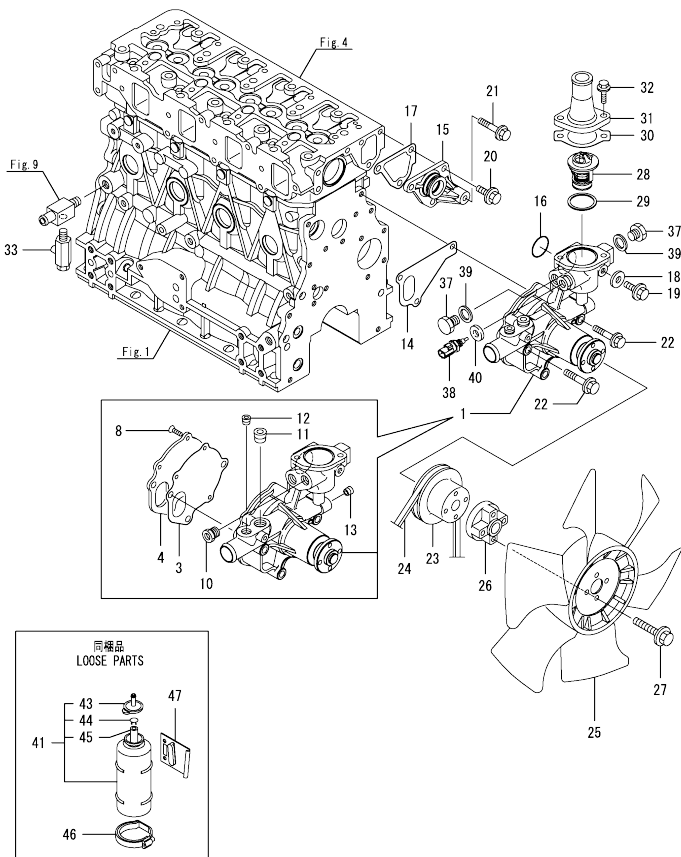
No.	Lev.	Parts No.	Description	Q'ty						I	R
				(A)	(B)	(C)	(D)	(E)	(F)		
1	1	129407-32000	PUMP ASSY, OIL	1							
14	1	129150-32020	GASKET, PUMP	1							
15	1	26450-060252	BOLT, M6X 25	4							
16	1	129004-34802	DIPSTICK	1							
17	1	121520-34810	GUIDE, DIPSTICK	1							
18	1	129150-35042	GASKET	1							
19	1	129436-35070	PIPE ASSY, OIL INLET	1							
20	1	26106-080552	BOLT, M8X 55 PLATED	2							
21	1	129508-33010	COOLER ASSY, OIL	1							
21-1	1	129508-33031	COOLER ASSY, OIL	1							R
		(A=E123447)									
22	2	129508-33050	O-RING	1							
22-1	2	129508-33060	GASKET, COOLER	1							R
		(A=E123447)									
23	1	129417-33111	NUT, OIL COOLER	1							
23-1	1	124085-35350	NUT, M20	1							F 2
		(A=E123447)									
24	1	129006-35100	BRACKET ASSY, FILTER	1							
24-1	1	129508-35100	BRACKET ASSY, LO FILT	1							F 2
		(A=E123447)									
26	2	129417-35150	BOLT, STUD M20X67	1							Z
		(A=E123447)									
26A	2	129006-35100	BRACKET ASSY, FILTER	1							W
		(A=E123447)									
26C	3	129417-35150	STUD, M20X67	1							W
		(A=E123447)									
26D	2	129508-35150	COLLAR, OIL-COOLER	1							W
		(A=E123447)									
27	1	129150-35111	GASKET	1							
29	1	129006-44480	JOINT	1							
30	1	129508-49030	HOSE ASSY, WATER	1							
31	2	171008-03990	CLAMP, HOSE 18.5	1							
33	2	23080-015000	CLAMP, 15	1							
34	1	129508-49040	HOSE ASSY, WATER	1							
35	2	171008-03990	CLAMP, HOSE 18.5	1							
37	2	119940-59130	TUBE, CORRUGATED 19	1							
38	2	23080-015000	CLAMP, 15	1							
39	1	129103-49301	ELBOW, PT1/4	1							
40	1	26106-080202	BOLT, M8X 20 PLATED	3							
41	1	119761-39450	SWITCH, HYDRAULIC	1							
42	1	171375-39601	DAMPER, 1/8	1							
43	1	119773-91501	SENSOR, PRESSURE	1							
44	1	124160-39140	BOLT, PIPE JOINT M10	1							
45	1	119802-39450	PIPE ASSY, OIL	1							
46	1	129005-59830	BOLT ASSY, JOINT M8	1							
47	2	22190-080002	WASHER, SEAL 6	1							
48	2	23857-030000	BOLT, JOINT 3	1							
49	1	22190-080002	WASHER, SEAL 6	1							
50	1	22190-100002	WASHER, SEAL 10	2							
51	1	26366-060002	NUT, M6	1							
52	1	129150-35153	FILTER ASSY, D80X80L	1							1

N:Old $\frac{100}{100}$ New, Q:Old $\frac{100}{100}$ New, R:Old $\frac{100}{100}$ New, S:Old $\frac{100}{100}$ New, W:Add, Z:Discontinued, F:Interchangeable by set, K:Q'ty Change
Copyright (C) YANMAR GLOBAL CS CO., LTD. All Rights Reserved.

Remarks

- (1) Spare part.
- (2) Interchangeable by simultaneous replacement with No.23-1, 24-1.

Fig.10. COOLING WATER SYSTEM



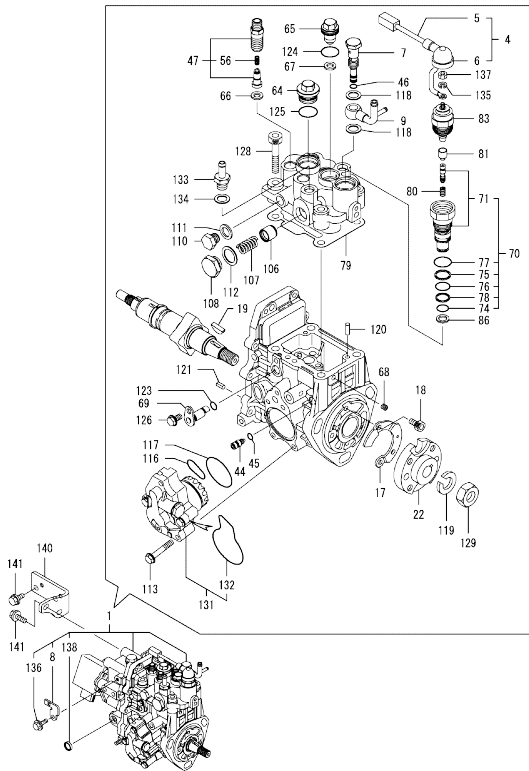
No.	Lev.	Parts No.	Description	Q'ty						I	R
				(A)	(B)	(C)	(D)	(E)	(F)		
1	1	129632-42000	PUMP ASSY, WATER	1							
3	2	129100-42051	GASKET, WATER PUMP	1							
4	2	129100-42121	PLATE	1							
8	2	121850-42410	SCREW	3							
10	2	129263-49350	JOINT	1							
11	2	129916-49740	PLUG, R03	1							
12	2	23875-020000	PLUG, R02	1							
13	2	23876-010000	PLUG, R01	1							
14	1	129486-42021	GASKET, WATER PUMP	1							
15	1	129004-42040	JOINT	1							
16	1	129486-42140	O-RING, G30	1							
17	1	124395-49840	GASKET	1							
18	1	23414-080000	GASKET, 8X1.0	1							
19	1	26106-080122	BOLT, M8X 12 PLATED	1							
20	1	26106-080162	BOLT, M8X 16 PLATED	3							
21	1	26106-080452	BOLT, M8X 45 PLATED	1							
22	1	26106-080602	BOLT, M8X 60 PLATED	3							
23	1	129550-42350	V-PULLEY, D=120	1							
24	1	129612-42380	V-BELT, A38.5	1							
25	1	129612-44700	FAN, COOLING	1							
26	1	171353-44760	SPACER, FAN	1							
27	1	26106-060402	BOLT, M6X 40 PLATED	4							
28	1	129155-49801	THERMOSTAT, 71	1							
29	1	129150-49811	GASKET, THERMOSTAT	1							
30	1	129795-49551	GASKET	1							
31	1	129350-49560	COVER, THERMOSTAT	1							
32	1	26106-080222	BOLT, M8X 22 PLATED	2							
33	1	119620-49290	COCK ASSY, 1/4	1							
37	1	121450-42450	PLUG, M16	2							
38	1	129927-44900	SENSOR	1							
39	1	124465-44950	GASKET, 16	2							
40	1	22190-120002	WASHER, SEAL 12	1							
41	1	124450-44510	TANK ASSY, SUB	1							
43	2	124450-44530	CAP	1							
44	2	124450-44560	RETAINER	1							
45	2	23061-070230	PIPE, 7X 230	1							
46	1	124450-44550	BAND	1							
47	1	121256-44600	BRACKET, SUB TANK	1							

N:Old $\frac{New}{Old}$ New, Q:Old $\frac{New}{Old}$ New, R:Old $\frac{New}{Old}$ New, S:Old $\frac{New}{Old}$ New, W:Add, Z:Discontinued, F:Interchangeable by set, K:Q'ty Change
 Copyright (C) YANMAR GLOBAL CS CO., LTD. All Rights Reserved.

Fig.11. FUEL INJECTION PUMP

(A)=4TNV88-ZKHD
(B)=
(C)=

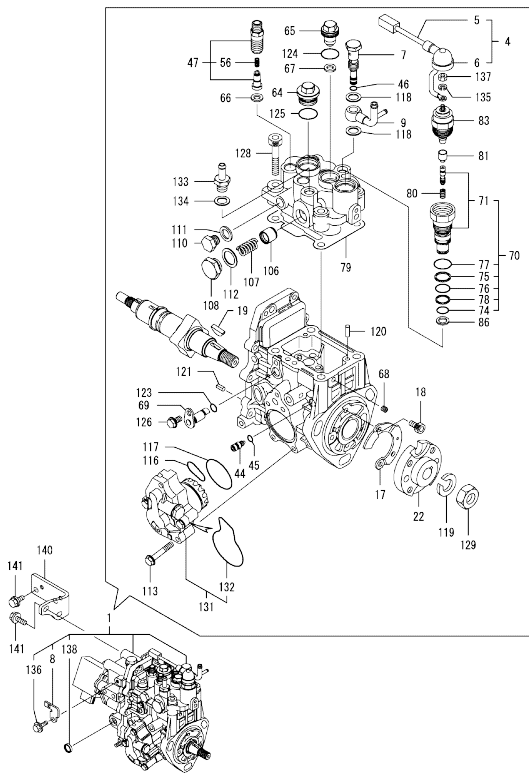
(D)=
(E)=
(F)=



No.	Lev.	Parts No.	Description	Q'ty						I	R
				(A)	(B)	(C)	(D)	(E)	(F)		
1	1	729632-51550	PUMP ASSY, INJECTION	1							1
4	2	129927-51650	HARNESS ASSY, WIRE	1							
5	3	129927-51660	HARNESS	1							
6	3	129263-77941	CAP, RUBBER	1							
7	2	158601-51650	JOINT, OVER FLOW	1							
8	2	129927-51670	BRACKET	1							
9	2	158552-51670	JOINT, OVER FLOW	1							
17	2	129008-51900	COVER, GEAR CASE	1							
18	2	129008-51920	BOLT, M6X10	2							
19	2	119802-51090	KEY, 4X16	1							
22	2	158552-51151	FLANGE	1							
44	2	158600-51270	STOPPER, TAPPET	1							
45	2	158563-51281	O-RING, 4D S6	1							
46	2	158563-51281	O-RING, 4D S6	1							
47	2	129008-51390	VALVE ASSY, DELIVERY	4							
56	3	158563-51330	SPRING, DELIVERY	4							
64	2	158601-51550	PLUG	1							
65	2	119802-51560	PLUG, BARREL	1							
66	2	158552-51571	GASKET	4							
67	2	158552-51571	GASKET	1							
68	2	158557-51570	PLUG	1							
69	2	158552-51580	LIFTER	1							
70	2	129657-51590	TIMER SET	1							
71	3	129657-51600	TIMER ASSY	1							
74	3	158553-51670	O-RING, 1011	1							
75	3	119802-51680	RING, BACK UP	1							
76	3	119802-51690	O-RING	1							
77	3	24356-190200	O-RING, 4D19020	1							
78	3	24372-000150	RING, BACK UP T2P15	1							
79	2	158552-51600	GASKET	1							
80	2	119852-51630	SPRING, TIMER	1							
81	2	119852-51640	CAP	1							
83	2	119852-51650	VALVE ASSY	1							
86	2	158553-51680	GASKET	1							
106	2	158601-51770	PISTON	1							
107	2	158552-51781	SPRING	1							
108	2	158601-51790	PLUG	1							
110	2	158553-51930	PLUG, M12	1							
111	2	22190-120002	WASHER, SEAL 12	1							
112	2	22190-180002	WASHER, SEAL 18	1							
113	2	158553-51770	BOLT	4							
116	2	158552-52311	O-RING	1							
117	2	158552-52400	O-RING, 4E S42	1							
118	2	22190-120002	WASHER, SEAL 12	2							
119	2	22217-140000	WASHER, SPRING 14	1							
120	2	22312-050140	PIN, PARALLEL M5X14	2							
121	2	22351-050010	PIN, SPRING 5.0X10	2							
123	2	24311-000070	O-RING, 1AP7.0	1							
124	2	24356-190180	O-RING, 4D19018	1							
125	2	24356-190200	O-RING, 4D19020	1							
126	2	26106-060102	BOLT, M6X 10 PLATED	1							

Remarks
(1)Governor(Fig.12)is incorporated in this Fuel Injection Pump (Ref.1).
(1)Eco Pump
Make sure to update the engines ECU information when replacing the Eco Pump.
Failing to do so will result in engine malfunction.

Fig.11. FUEL INJECTION PUMP



(A)=4TNV88-ZKHD
(B)=
(C)=

(D)=
(E)=
(F)=

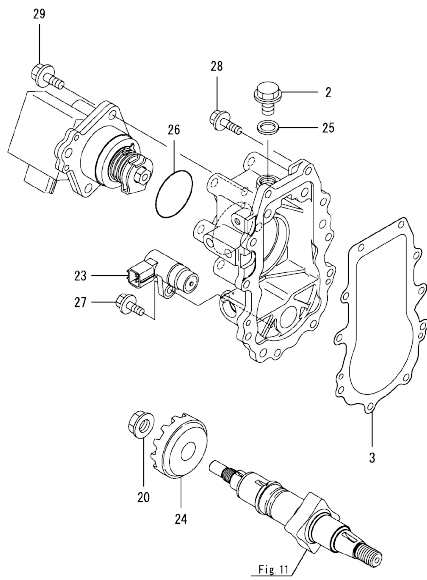
No.	Lev.	Parts No.	Description	Q'ty					
				(A)	(B)	(C)	(D)	(E)	(F)
128	2	26450-080452	BOLT, M8X 45						4
129	2	26776-140002	NUT, LOCK M14						1
131	2	158552-52100	PUMP ASSY, FUEL FEED						1
132	3	158552-52500	O-RING						1
133	2	119934-59910	JOINT, PIPE						1
134	2	22190-120002	WASHER, SEAL 12						1
135	2	22217-050000	WASHER, SPRING 5						1
136	2	26106-060142	BOLT, M6X 14 PLATED						1
137	2	26716-050002	NUT, M5						1
138	2	27241-160000	PLUG, 16						1
140	1	129263-51251	RETAINER, PUMP						1
141	1	26106-080162	BOLT, M8X 16 PLATED						4

Remarks

(1)Governor(Fig.12)is incorporated in this Fuel Injection Pump (Ref.1).
(1)Eco Pump
Make sure to update the engines ECU information when replacing the Eco Pump.
Failing to do so will result in engine malfunction.

OCD11-M17200 4TNV88-ZKHD
 Fig.12. GOVERNOR

OCD11-M17200 Fig.12



(A)=4TNV88-ZKHD
 (B)=
 (C)=

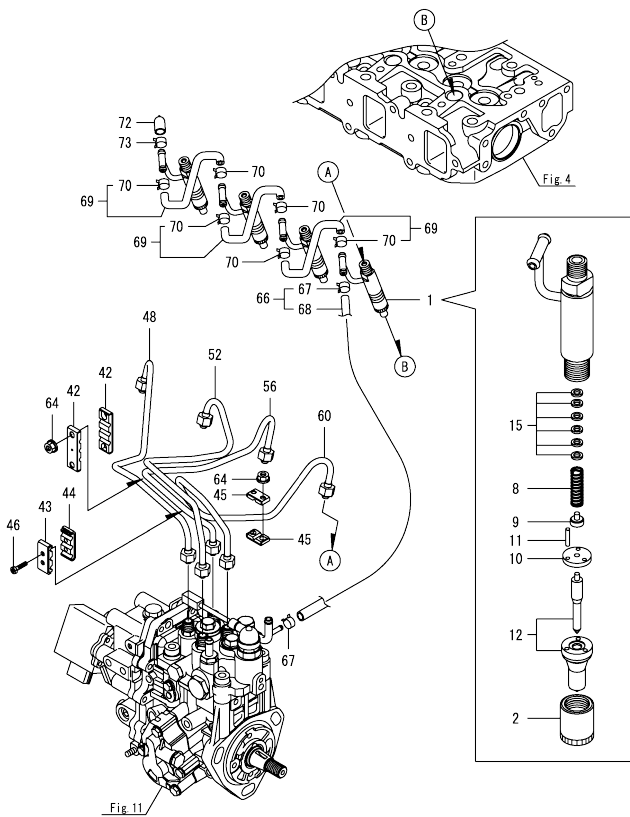
(D)=
 (E)=
 (F)=

No.	Lev.	Parts No.	Description	Q'ty						I	R
				(A)	(B)	(C)	(D)	(E)	(F)		
2	2	158553-51930	PLUG, M12	1							
3	2	158553-61050	GASKET	1							
20	2	129008-61301	NUT	1							
23	2	158557-61720	SENSOR	1							
24	2	158553-61780	GEAR, SENSOR	1							
25	2	22190-120002	WASHER, SEAL 12	1							
26	2	24341-000480	O-RING, 1AS48.0	1							
27	2	26106-060162	BOLT, M6X 16 PLATED	1							
28	2	26106-060202	BOLT, M6X 20 PLATED	10							
29	2	26106-080252	BOLT, M8X 25 PLATED	3							

Remarks
 *This figure(Governor)is incorporated
 in the Fuel Injection Pump (Fig.11).

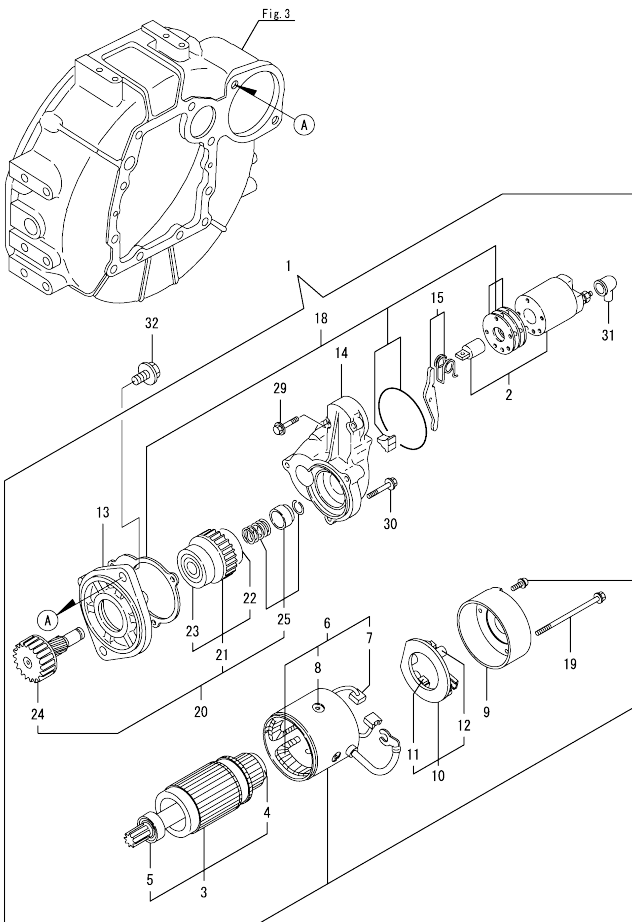
N:Old $\frac{New}{Old}$ New, Q:Old $\frac{New}{Old}$ New, R:Old $\frac{New}{Old}$ New, S:Old $\frac{New}{Old}$ New, W:Add, Z:Discontinued, F:Interchangeable by set, K:Q'ty Change
 Copyright (C) YANMAR GLOBAL CS CO., LTD. All Rights Reserved.

Fig.13. FUEL INJECTION VALVE



No.	Lev.	Parts No.	Description	Q'ty						I	R
				(A)	(B)	(C)	(D)	(E)	(F)		
1	1	729604-53400	VALVE ASSY,INJECTION	4							
2	2	114250-53080	NUT, NOZZLE D16.95	4							
8	2	114250-53120	SPRING, NOZZLE	4							
9	2	114250-53130	SEAT, SPRING	4							
10	2	114250-53140	PLATE	4							
11	2	114250-53210	PIN	8							
12	2	129604-53300	VALVE ASSY,INJECTION	4							
15	2	119803-53400	SHIM SET	4							
42	1	129688-59100	CLAMP, FO PIPE	2							
43	1	129688-59110	CLAMP, FO PIPE	1							
44	1	129688-59120	CLAMP, FO PIPE	1							
45	1	129688-59130	CLAMP, FO PIPE	2							
46	1	129688-59150	BOLT, HB4X18	2							
48	1	129601-59810	PIPE ASSY, INJECTION	1							
52	1	129601-59820	PIPE ASSY, INJECTION	1							
56	1	129601-59830	PIPE ASSY, INJECTION	1							
60	1	129601-59840	PIPE ASSY, INJECTION	1							
64	1	26366-060002	NUT, M6	4							
66	1	119802-59550	PIPE ASSY, RETURN	1							
67	2	124722-59050	CLIP, HOSE 9	2							
68	2	119802-59560	PIPE, FUEL RETURN	1							
69	1	129486-59551	PIPE ASSY, RETURN	3							
70	2	124722-59050	CLIP, HOSE 9	6							
72	1	119593-59581	CAP	1							
73	1	124060-77680	CLIP, HOSE 10	1							

Fig.15. STARTING MOTOR



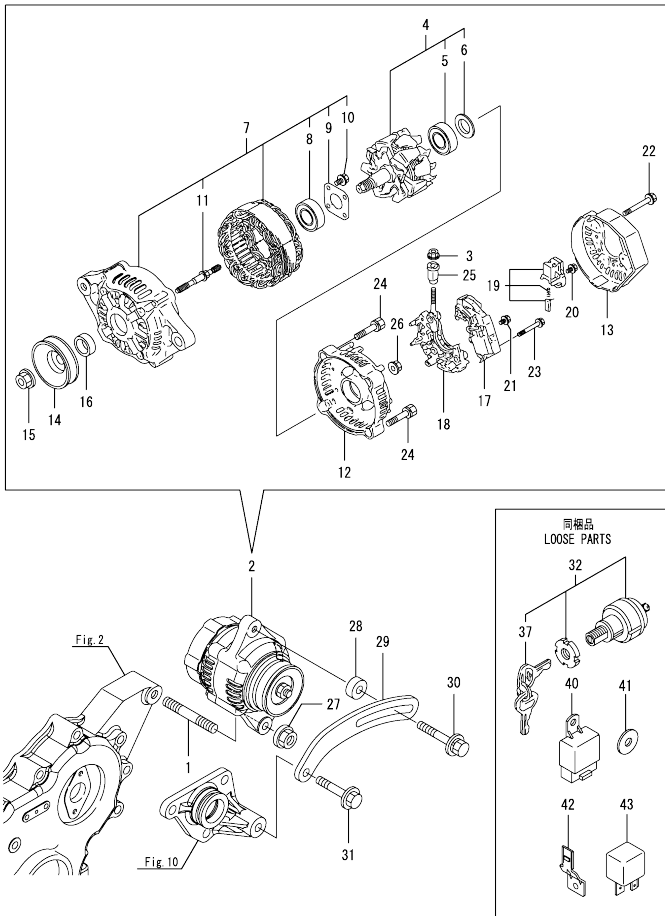
(A)=4TNV88-ZKHD
(B)=
(C)=

(D)=
(E)=
(F)=

No.	Lev.	Parts No.	Description	Qty						I	R
				(A)	(B)	(C)	(D)	(E)	(F)		
1	1	129136-77011	STARTER	1							
2	2	129136-77310	SWITCH ASSY	1							
3	2	129900-77400	ARMATURE ASSY	1							
4	3	X2130350900	BEARING, BALL	1							
5	3	X2114255110	BEARING, BALL	1							
6	2	129900-77440	COIL ASSY, FIELD	1							
7	3	129900-77450	BRUSH	2							
8	3	171008-77450	SCREW	4							
9	2	129900-77460	COVER	1							
10	2	129900-77480	HOLDER ASSY, BRUSH	1							
11	3	129900-77450	BRUSH	2							
12	3	129400-77490	SPRING	4							
13	2	171008-77510	CASE, GEAR	1							
14	2	129136-77520	HOUSING	1							
15	2	171008-77540	LEVER SET	1							
18	2	129400-77571	COVER ASSY, DUST	1							
19	2	129900-77640	BOLT, THROUGH	2							
20	2	171008-77650	PINION ASSY	1							
21	3	X2114555500	CLUTCH ASSY	1							
22	4	X2114955020	BEARING, BALL	1							
23	4	X2240410100	BEARING, BALL	1							
24	3	171008-77660	SHAFT	1							
25	3	171008-77670	STOPPER SET	1							
29	2	26106-060322	BOLT, M6X 32 PLATED	2							
30	2	26106-060402	BOLT, M6X 40 PLATED	3							
31	2	171008-77750	COVER	1							
32	1	26106-120252	BOLT, M12X 25 PLATED	2							

OCD11-M17200 4TNV88-ZKHD
 Fig.16. GENERATOR

OCD11-M17200 Fig.16



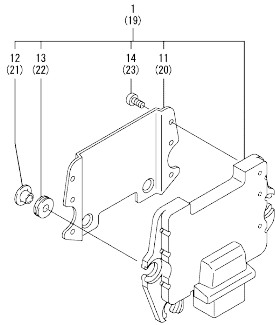
(A)=4TNV88-ZKHD
 (B)=
 (C)=

(D)=
 (E)=
 (F)=

No.	Lev.	Parts No.	Description	Qty						I	R
				(A)	(B)	(C)	(D)	(E)	(F)		
1	1	129795-01900	STUD	1							
2	1	119626-77210	ALTERNATOR, 12V-55A	1							
3	2	X9490561001	NUT	1							
4	2	129052-77380	ROTOR ASSY	1							
5	3	123501-79240	BEARING, BALL	1							
6	3	119620-79250	COVER	1							
7	2	129052-77422	FRAME ASSY	1							
8	3	119620-79200	BEARING, BALL	1							
9	3	119620-79210	PLATE, RETAINER	1							
10	3	119620-79220	SCREW	4							
11	3	119620-79230	STUD	2							
12	2	128401-77440	FRAME	1							
13	2	119626-77450	COVER	1							
14	2	119620-77461	PULLEY	1							
15	2	119620-77471	NUT	1							
16	2	119620-77490	COLLAR	1							
17	2	119626-77710	REGULATOR ASSY	1							
18	2	129052-79260	HOLDER	1							
19	2	129052-79270	HOLDER, BRUSH	1							
20	2	119620-79290	SCREW	6							
21	2	119620-79300	SCREW	1							
22	2	119620-79310	BOLT	3							
23	2	119620-79320	SCREW	2							
24	2	119620-79330	BOLT	2							
25	2	119620-79340	BUSH, INSULATION	1							
26	2	119620-79350	NUT	2							
27	1	26306-100002	NUT, M10	1							
28	1	119940-77270	SPACER, GENERATOR	1							
29	1	119802-77330	ADJUSTER	1							
30	1	129972-77341	BOLT, ADJUSTER L=50	1							
31	1	26106-080452	BOLT, M8X 45 PLATED	1							
32	1	194215-52110	SWITCH, STARTING	1							Z
				(A=EXXXXX)							
37	2	194155-52160	KEY ASSY	1							Z
				(A=EXXXXX)							
40	1	198461-52950	RELAY, CA TYPE C	3							
41	1	129927-77690	WASHER	3							
42	1	129927-77910	BRACKET, CONNECTOR	2							
43	1	129927-77920	RELAY	2							

N:Old $\frac{100}{100}$ New, Q:Old $\frac{100}{100}$ New, R:Old $\frac{100}{100}$ New, S:Old $\frac{100}{100}$ New, W:Add, Z:Discontinued, F:Interchangeable by set, K:Qty Change
 Copyright (C) YANMAR GLOBAL CS CO., LTD. All Rights Reserved.

Fig.17. ELECTRONIC CONTROL UNIT (ECU)



(A)=4TNV88-ZKHD
(B)=
(C)=

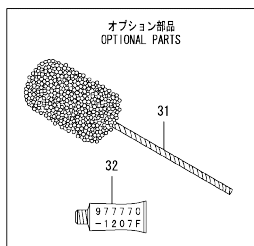
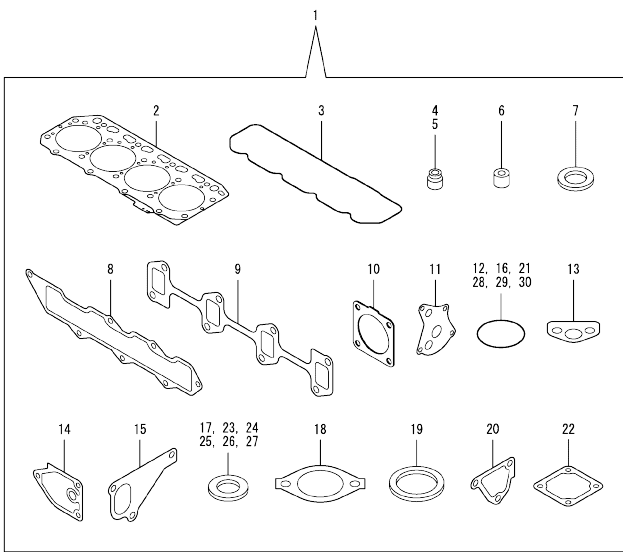
(D)=
(E)=
(F)=

No.	Lev.	Parts No.	Description	Q'ty						I	R
				(A)	(B)	(C)	(D)	(E)	(F)		
1	1	129683-75010	ECU ASSY,4TNV88-ZKHD	1							1
11	2	129927-77600	SHIELD	1							
12	2	129927-77680	COLLAR	3							
13	2	119578-91351	ABSORBER	3							
14	2	22877-500080	SCREW, 5X 8	6							
19	1	129927-75900	CONTROLLER ASSY, EUC	1							2
20	2	129927-77600	SHIELD	1							
21	2	129927-77680	COLLAR	3							
22	2	119578-91351	ABSORBER	3							
23	2	22877-500080	SCREW, 5X 8	6							

Remarks
(1)Eco ECU
This part cannot be ordered.
Replace the part using a Service ECU with the proper engine information installed.
(2)Service ECU
If the proper information is not installed, the engine will not operate.
To install proper information, go to an authorized Distributor.

OCD11-M17200 4TNV88-ZKHD
 Fig.18. GASKET SET

OCD11-M17200 Fig.18



Remarks
 (1)Optional parts.

No.	Lev.	Parts No.	Description	Q'ty						I	R
				(A)	(B)	(C)	(D)	(E)	(F)		
1	1	729602-92730	GASKET SET	1							1
2	2	129407-01340	GASKET, HEAD	1							
3	2	129601-11310	GASKET, BONNET	1							
4	2	121400-11340	SEAL, VALVE STEM	4							
5	2	124460-11340	SEAL, VALVE STEM	4							
6	2	119802-11870	PROTECTOR, NOZZLE	4							
7	2	119625-11880	SEAT, NOZZLE	4							
8	2	129407-12110	GASKET, MANIFOLD	1							
9	2	129550-13110	GASKET	1							
10	2	129930-13201	GASKET, SILENCER	2							
11	2	129150-32020	GASKET, PUMP	1							
12	2	119609-32040	O-RING, P16	2							
13	2	129150-35042	GASKET	1							
14	2	129150-35111	GASKET	1							
15	2	129486-42021	GASKET, WATER PUMP	1							
16	2	129486-42140	O-RING, G30	1							
17	2	124465-44950	GASKET, 16	2							
18	2	129795-49551	GASKET	1							
19	2	129150-49811	GASKET, THERMOSTAT	1							
20	2	124395-49840	GASKET	1							
21	2	121850-51960	O-RING	1							
22	2	129150-77511	GASKET	1							
23	2	22190-080002	WASHER, SEAL 6	2							
24	2	22190-100002	WASHER, SEAL 10	2							
25	2	22190-120002	WASHER, SEAL 12	1							
26	2	22190-220002	WASHER, SEAL 22	1							
27	2	23414-080000	GASKET, 8X1.0	1							
28	2	24311-000120	O-RING, 1AP12.0	3							
29	2	24311-000320	O-RING, 1AP32.0	2							
30	2	24341-000240	O-RING, 1AS24.0	1							
31	1	129400-92430	HONE	1							1
32	1	977770-1207F	GASKET,LIQUID	1							1

N:Old $\frac{100}{100}$ New, Q:Old $\frac{100}{100}$ New, R:Old $\frac{100}{100}$ New, S:Old $\frac{100}{100}$ New, W:Add, Z:Discontinued, F:Interchangeable by set, K:Q'ty Change
 Copyright (C) YANMAR GLOBAL CS CO., LTD. All Rights Reserved.

Parts No. Index

Parts No.	Fig. No.	Ref. No.	Parts No.	Fig. No.	Ref. No.	Parts No.	Fig. No.	Ref. No.	Parts No.	Fig. No.	Ref. No.
105025-59560	14	7	119802-25101	7	10	124240-01871	2	7	129100-42121	10	4
105225-59511	14	11	119802-25901	7	15	124395-49840	10	17	129103-49301	9	39
114250-53080	13	2	119802-39450	9	45		18	20	129136-77011	15	1
114250-53120	13	8	119802-51090	11	19	124450-44510	10	41	129136-77310	15	2
114250-53130	13	9	119802-51560	11	65	124450-44530	10	43	129136-77520	15	14
114250-53140	13	10	119802-51680	11	75	124450-44550	10	46	129150-01200	1	27
114250-53210	13	11	119802-51690	11	76	124450-44560	10	44	129150-02020	1	9
119131-18320	6	5	119802-55801	14	2	124460-11340	4	24	129150-02450	7	4
119160-12060	5	13	119802-59550	13	66		18	5	129150-02871	1	32
119578-91351	17	13	119802-59560	13	68	124465-44950	10	39	129150-02931	1	24
		22	119802-77330	16	29		18	17	129150-02941	1	35
119593-59581	13	72	119803-01520	2	4	124550-21600	8	14	129150-03070	4	38
119609-32040	2	9	119803-21200	8	4	124722-59050	13	67	129150-11230	4	8
	18	12	119803-25050	7	9			70	129150-11280	4	6
119620-01750	3	3	119803-53400	13	15	124766-59050	14	5	129150-11370	4	12
119620-49290	10	33	119803-77830	4	52			9	129150-11750	4	10
119620-77461	16	14	119852-51630	11	80	128401-77440	16	12	129150-11810	4	56
119620-77471	16	15	119852-51640	11	81	129001-01250	1	5	129150-14101	7	6
119620-77490	16	16	119852-51650	11	83	129001-02931	1	29	129150-14200	7	1
119620-79200	16	8	119934-01800	2	3	129004-03010	4	37	129150-14400	7	2
119620-79210	16	9	119934-59910	11	133	129004-11650	4	7	129150-23601	8	29
119620-79220	16	10	119940-59130	9	37	129004-11900	4	29	129150-23611	8	32
119620-79230	16	11	119940-77270	16	28	129004-34802	9	16	129150-25301	7	14
119620-79250	16	6	120130-11860	4	55	129004-42040	10	15	129150-32020	9	14
119620-79290	16	20	120270-54410	4	30	129004-55612	14	1		18	11
119620-79300	16	21	121023-01551	2	19	129005-03080	5	1	129150-35042	9	18
119620-79310	16	22	121111-21501	8	11	129005-11100	4	19		18	13
119620-79320	16	23	121256-44600	10	47	129005-22080	8	15	129150-35111	9	27
119620-79330	16	24	121400-11340	4	23	129005-22500	8	17		18	14
119620-79340	16	25		18	4	129005-22900	8	34	129150-35153	9	52
119620-79350	16	26	121450-42450	10	37	129005-22950	8	36	129150-49811	10	29
119625-11880	4	28	121520-34810	9	17	129005-59830	9	46		18	19
	18	7	121550-23200	8	28	129006-35100	9	24	129150-77511	5	8
119626-77210	16	2	121750-59890	14	12			26 A		18	22
119626-77450	16	13	121850-21680	8	10	129006-44480	9	29	129155-49801	10	28
119626-77710	16	17	121850-42410	10	8	129008-51390	11	47	129202-22300	8	23
119640-01640	3	8	121850-51960	2	10	129008-51900	11	17	129242-55730	14	16
119761-39450	9	41		18	21	129008-51920	11	18	129242-55740	14	17
119773-91501	9	43	123501-79240	16	5	129008-61301	12	20	129242-55750	14	18
119802-01561	2	5	123900-13610	6	3	129008-77800	4	53	129242-55760	14	19
119802-03110	4	39	123900-13630	6	4	129052-77380	16	4	129242-55770	14	20
119802-03121	4	40	124060-01050	1	4	129052-77422	16	7	129245-55701	14	14
119802-03130	4	41	124060-77680	13	73	129052-79260	16	18	129245-55720	14	15
119802-03141	4	42	124085-35350	9	23 -1	129052-79270	16	19	129263-49350	10	10
119802-11260	4	4	124160-01751	2	6	129100-01580	3	1	129263-51251	11	140
119802-11270	4	5		4	35			15	129263-77941	11	6
119802-11870	4	27	124160-01910	1	6			8	129350-49560	10	31
	18	6			7	129100-11112	4	20	129400-01730	3	6
119802-21660	8	8	124160-11360	4	47	129100-23910	8	31	129400-77490	15	12
119802-25071	7	16	124160-39140	9	44	129100-42051	10	3	129400-77571	15	18

Parts No. Index

Parts No.	Fig. No.	Ref. No.
129400-92430	18	31
129407-01340	1	28
	18	2
129407-12110	5	4
	18	8
129407-32000	9	1
129410-03990	5	2
129411-13100	6	1
129417-33111	9	23
129417-35150	9	26
		26 C
129436-35070	9	19
129486-01670	3	19
129486-12581	5	7
129486-42021	10	14
	18	15
129486-42140	10	16
	18	16
129486-59551	13	69
129508-33010	9	21
129508-33031	9	21 -1
129508-33050	9	22
129508-33060	9	22 -1
129508-35100	9	24 -1
129508-35150	9	26 D
129508-49030	9	30
129508-49040	9	34
129550-13110	6	2
	18	9
129550-42350	10	23
129601-11241	4	1
129601-11251	4	2
129601-11310	4	44
	18	3
129601-11350	4	36
129601-59810	13	48
129601-59820	13	52
129601-59830	13	56
129601-59840	13	60
129602-12101	5	3
129604-11700	4	13
129604-21000	8	1
129604-53300	13	12
129604-77821	4	54
129612-42380	10	24
129612-44700	10	25
129612-52100	14	13
129630-59010	14	4
129630-77800	4	52 -1
129632-42000	10	1

Parts No.	Fig. No.	Ref. No.
129648-01600	3	16
129648-01780	3	18
129657-51590	11	70
129657-51600	11	71
129683-75010	17	1
129688-01780	3	7
129688-59100	13	42
129688-59110	13	43
129688-59120	13	44
129688-59130	13	45
129688-59150	13	46
129688-59160	5	10
129795-01900	16	1
129795-01950	2	8
129795-02412	1	12
129795-11120	4	21
129795-11180	4	22
129795-21661	8	9
129795-49551	10	30
	18	18
129900-07900	4	50
129900-77400	15	3
129900-77440	15	6
129900-77450	15	7
		11
129900-77460	15	9
129900-77480	15	10
129900-77640	15	19
129916-49740	10	11
129927-44900	10	38
129927-51650	11	4
129927-51660	11	5
129927-51670	11	8
129927-75900	17	19
129927-77600	17	11
		20
129927-77680	17	12
		21
129927-77690	16	41
129927-77910	16	42
129927-77920	16	43
129930-13201	6	7
	18	10
129956-59010	14	8
129957-59101	14	10
129961-59110	14	6
129972-77341	16	30
158552-51151	11	22
158552-51571	11	66
		67

Parts No.	Fig. No.	Ref. No.
158552-51580	11	69
158552-51600	11	79
158552-51670	11	9
158552-51781	11	107
158552-52100	11	131
158552-52311	11	116
158552-52400	11	117
158552-52500	11	132
158553-51670	11	74
158553-51680	11	86
158553-51770	11	113
158553-51930	11	110
	12	2
158553-61050	12	3
158553-61780	12	24
158557-51570	11	68
158557-61720	12	23
158563-51281	11	45
		46
158563-51330	11	56
158600-51270	11	44
158601-51550	11	64
158601-51650	11	7
158601-51770	11	106
158601-51790	11	108
171008-03990	9	31
		35
171008-77450	15	8
171008-77510	15	13
171008-77540	15	15
171008-77650	15	20
171008-77660	15	24
171008-77670	15	25
171008-77750	15	31
171031-11741	2	22
171051-01921	1	8
171353-44760	10	26
171375-39601	9	42
171420-01600	3	2
171420-21590	8	12
194155-52160	16	37
194215-52110	16	32
198461-52950	16	40
22190-080002	2	11
	9	47
		49
	18	23
22190-100002	9	50
	18	24
22190-120002	10	40

Parts No.	Fig. No.	Ref. No.
22190-120002	11	111
		118
		134
	12	25
	18	25
22190-180002	11	112
22190-220002	3	10
	18	26
22217-050000	11	135
22217-140000	11	119
22252-000260	8	24
22312-050140	11	120
22351-030010	8	7
22351-050010	11	121
22351-060012	4	31
22512-070140	7	7
	8	5
22857-500100	4	45
		46
22877-500080	17	14
		23
23061-070230	10	45
23080-015000	9	33
		38
23414-080000	10	18
	18	27
23857-030000	9	48
23875-020000	10	12
23876-010000	10	13
24311-000070	11	123
24311-000120	4	48
	18	28
24311-000160	14	21
24311-000320	2	12
		23
	4	49
	18	29
24321-000750	14	22
24341-000240	2	20
	18	30
24341-000480	12	26
24356-190180	11	124
24356-190200	11	77
		125
24372-000150	11	78
26106-060102	11	126
26106-060142	11	136
26106-060162	2	21
	12	27
26106-060202	12	28

Parts No. Index

Parts No.	Fig. No.	Ref. No.
26106-060322	15	29
26106-060402	10	27
	15	30
26106-080122	10	19
26106-080142	7	8
26106-080162	2	13
		14
	3	11
	4	51
	10	20
	11	141
26106-080202	5	5
		9
	9	40
26106-080222	10	32
26106-080252	3	12
	4	32
	5	9 -1
	12	29
26106-080302	2	15
	14	3
26106-080352	3	20
	4	33
26106-080402	7	13
26106-080452	3	13
	10	21
	16	31
26106-080502	3	14
	4	34
26106-080552	2	16
	9	20
26106-080602	10	22
26106-080802	5	6
26106-080852	2	17
26106-120252	15	32
26206-100252	3	4
26206-100302	3	5
26226-080182	4	11
26306-080002	2	18
	6	6
26306-100002	16	27
26366-060002	9	51
	13	64
26450-060252	9	15
26450-080452	11	128
26716-050002	11	137
26776-140002	11	129
27241-120000	1	13
27241-160000	11	138
27241-300000	1	14

Parts No.	Fig. No.	Ref. No.
27241-400000	4	18
27310-080001	4	25
719803-01500	2	1
729402-14580	7	3
729402-23100	8	25
729602-01560	1	1
729602-92730	18	1
729604-53400	13	1
729632-51550	11	1
977770-1207F	18	32
X2114255110	15	5
X2114555500	15	21
X2114955020	15	22
X2130350900	15	4
X2240410100	15	23
X9490561001	16	3

Parts No.	Fig. No.	Ref. No.
-----------	----------	----------

Parts No.	Fig. No.	Ref. No.
-----------	----------	----------