

0CD11-M13800EN

# P R E F A C E

1. This parts catalog is the 1st edition of 4TNV88-ZKASB for AICHI CORPORATION.

Pub.No. : 0CD11-G13800  
Published : October, 2010

2. Model name

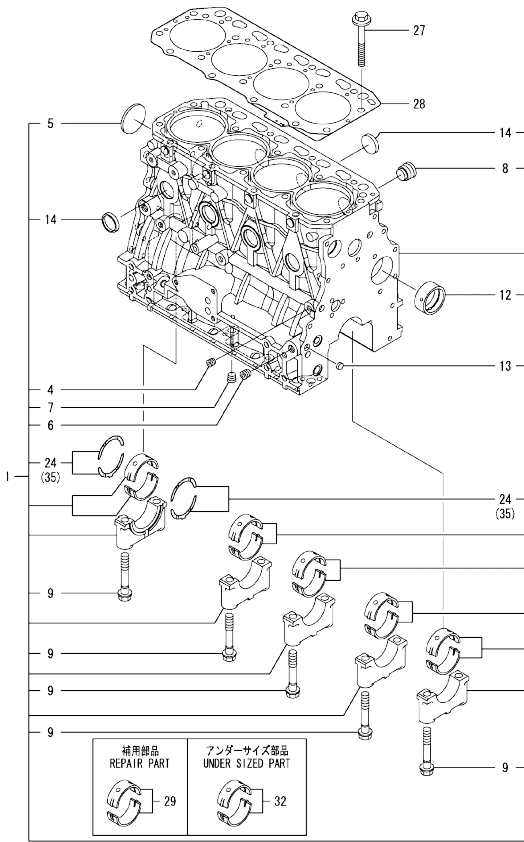
Engine model	Vehicle	Vehicle made by
4TNV88-ZKASB	LIFT TRUCK	AICHI CORPORATION

## Contents

Fig. No.	Fig. Name	Fig. No.	Fig. Name
4TNV88-ZKASB			
1.	CYLINDER BLOCK		
2.	GEAR HOUSING		
3.	FLYWHEEL HOUSING & OIL SUMP		
4.	CYLINDER HEAD & BONNET		
5.	SUCTION MANIFOLD & AIR CLEANER		
6.	EXHAUST MANIFOLD & SILENCER		
7.	CAMSHAFT & DRIVING GEAR		
8.	CRANKSHAFT & PISTON		
9.	LUB. OIL SYSTEM		
10.	COOLING WATER SYSTEM		
11.	FUEL INJECTION PUMP		
12.	GOVERNOR		
13.	FUEL INJECTION VALVE		
14.	FUEL LINE		
15.	STARTING MOTOR		
16.	GENERATOR		
17.	ELECTRONIC CONTROL UNIT (ECU)		
18.	GASKET SET		

OCD11-M13800

Fig.1. CYLINDER BLOCK



(A)=4TNV88-ZKASB  
(B)=  
(C)=

(D)=  
(E)=  
(F)=

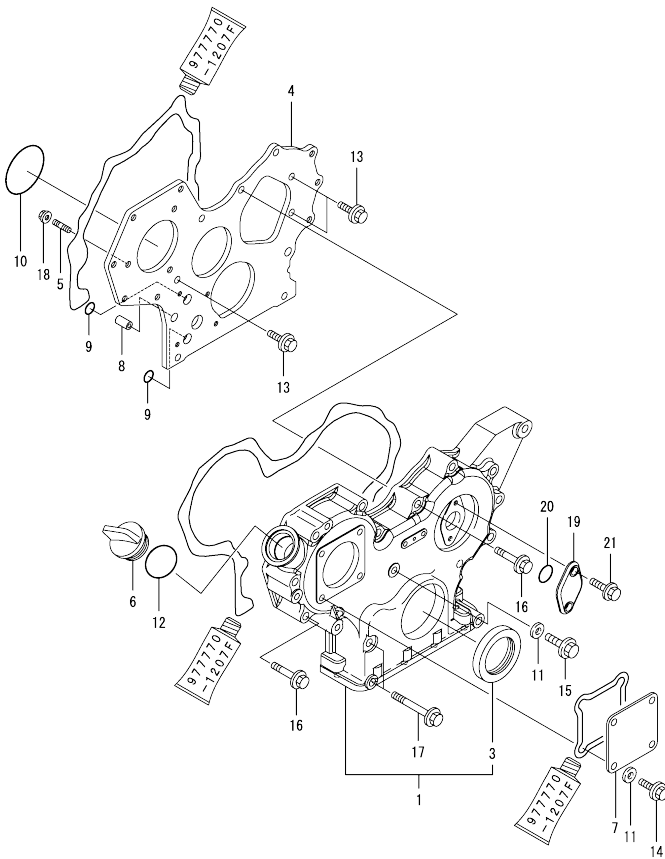
No.	Lev.	Parts No.	Description	Q'ty						I	R
				(A)	(B)	(C)	(D)	(E)	(F)		
1	1	729602-01560	BLOCK ASSY, CYLINDER	1							
4	2	124060-01050	PLUG, PT1/8	1							
5	2	129001-01250	PLUG, 50	1							
6	2	124160-01910	PLUG, PT1/4	2							
7	2	124160-01910	PLUG, PT1/4	1							
8	2	171051-01921	PLUG, NPTF1	1							
9	2	129150-02020	BOLT, METAL CAP	10							
12	2	129795-02412	BUSH, CAMSHAFT	1							
13	2	27241-120000	PLUG, 12	2							
14	2	27241-300000	PLUG 30	8							
24	2	129150-02931	BEARING, THRUST	2							
27	1	129150-01200	BOLT, HEAD	18							
28	1	129407-01340	GASKET, HEAD	1							
29	1	129001-02931	BEARING, MAIN	5							1
32	1	129150-02871	BEARING, 0.25 US	5							2
35	1	129150-02941	BEARING, THRUST 0.25	1							3

Remarks

- (1)Repair part.
- (2)Under-sized(U.S.=0.25)part.
- (3)Over-sized(O.S.=0.25)part.

OCD11-M13800

Fig.2. GEAR HOUSING

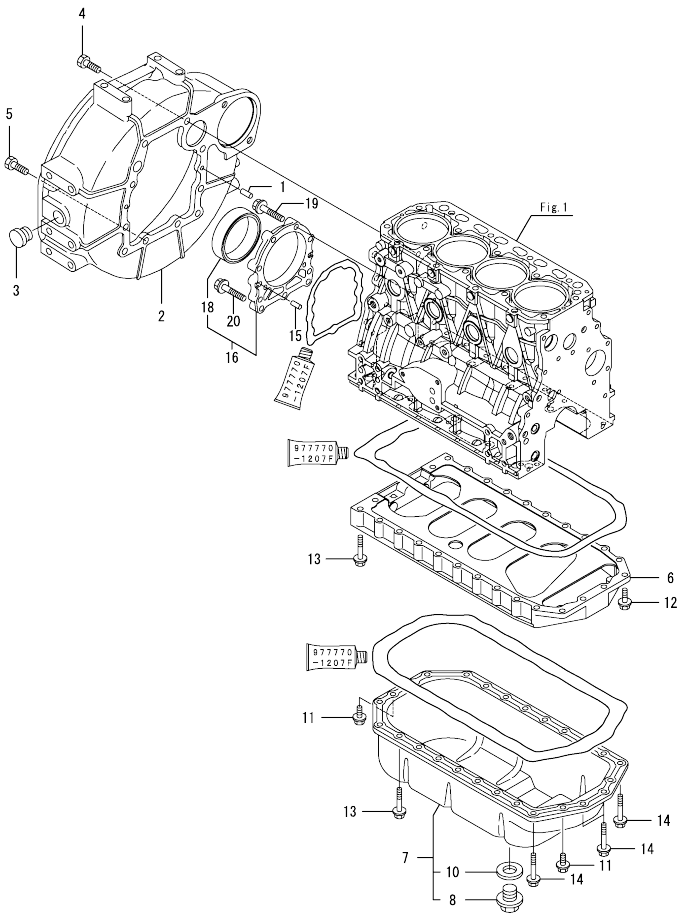


No.	Lev.	Parts No.	Description	Q'ty					
				(A)	(B)	(C)	(D)	(E)	(F)
1	1	729630-01500	CASE ASSY, GEAR	1					
3	2	119934-01800	SEAL, OIL	1					
4	1	119803-01520	FLANGE, GEAR CASE	1					
5	1	119802-01561	STUD, M8X25	3					
6	1	124160-01751	COVER, FILLER	1					
7	1	124240-01871	COVER	1					
8	1	129795-01950	PIPE, KNOCK L=18	2					
9	1	119609-32040	O-RING, P16	2					
10	1	121850-51960	O-RING	1					
11	1	22190-080002	WASHER, SEAL 6	5					
12	1	24311-000320	O-RING, 1AP32.0	1					
13	1	26106-080162	BOLT, M8X 16 PLATED	3					
14	1	26106-080162	BOLT, M8X 16 PLATED	4					
15	1	26106-080302	BOLT, M8X 30 PLATED	1					
16	1	26106-080552	BOLT, M8X 55 PLATED	12					
17	1	26106-080852	BOLT, M8X 85 PLATED	3					
18	1	26306-080002	NUT, M8	3					
19	1	121023-01551	COVER	1					
20	1	24341-000240	O-RING, 1AS24.0	1					
21	1	26106-060162	BOLT, M6X 16 PLATED	2					

N:Old  $\frac{100}{100}$  New. Q:Old  $\frac{100}{100}$  New. R:Old  $\frac{100}{100}$  New. S:Old  $\frac{100}{100}$  New. W:Add. Z:Discontinued. F:Interchangeable by set. K:Q'ty Change  
 Copyright (C) YANMAR CO., LTD. All Rights Reserved.

OCD11-M13800

Fig.3. FLYWHEEL HOUSING & OIL SUMP

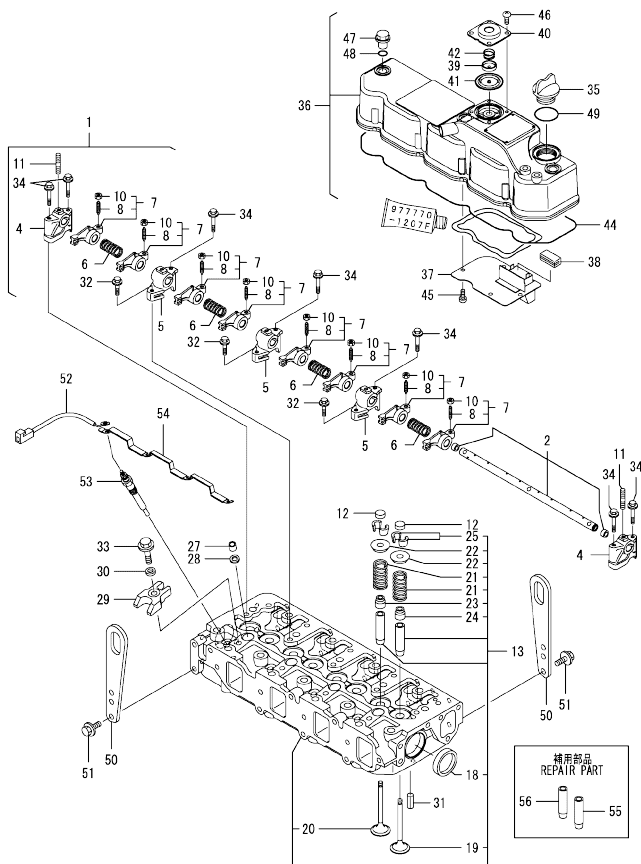


No.	Lev.	Parts No.	Description	Q'ty						I	R
				(A)	(B)	(C)	(D)	(E)	(F)		
1	1	129100-01580	PIN, M8X16	2							
2	1	129612-01600	HOUSING, FLYWHEEL	1							
3	1	119620-01750	CAP	1							
4	1	26206-100252	BOLT, M10X 25 PLATED	6							
5	1	26206-100302	BOLT, M10X 30 PLATED	4							
6	1	129400-01730	SPACER, OIL SUMP	1							
7	1	129436-01780	SUMP ASSY, OIL	1							
8	2	119640-01640	PLUG, DRAIN M22	1							
10	2	22190-220002	WASHER, SEAL 22	1							
11	1	26106-080162	BOLT, M8X 16 PLATED	4							
12	1	26106-080252	BOLT, M8X 25 PLATED	2							
13	1	26106-080452	BOLT, M8X 45 PLATED	20							
14	1	26106-080502	BOLT, M8X 50 PLATED	4							
15	1	129100-01580	PIN, M8X16	2							
16	1	129648-01600	CASE ASSY, OIL SEAL	1							
18	2	129648-01780	SEAL, OIL	1							
19	1	129486-01670	BOLT, M8X30	6							
20	1	26106-080352	BOLT, M8X 35 PLATED	3							

N:Old  $\frac{100}{100}$  New, Q:Old  $\frac{100}{100}$  New, R:Old  $\frac{100}{100}$  New, S:Old  $\frac{100}{100}$  New, W:Add, Z:Discontinued, F:Interchangeable by set, K:Q'ty Change  
 Copyright (C) YANMAR CO., LTD. All Rights Reserved.

OCD11-M13800

Fig.4. CYLINDER HEAD & BONNET



(A)=4TNV88-ZKASB  
(B)=  
(C)=

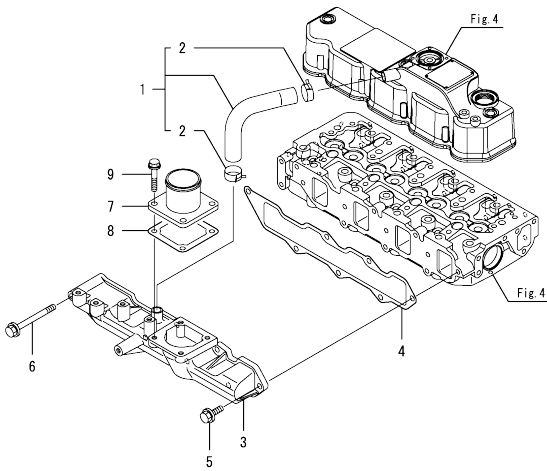
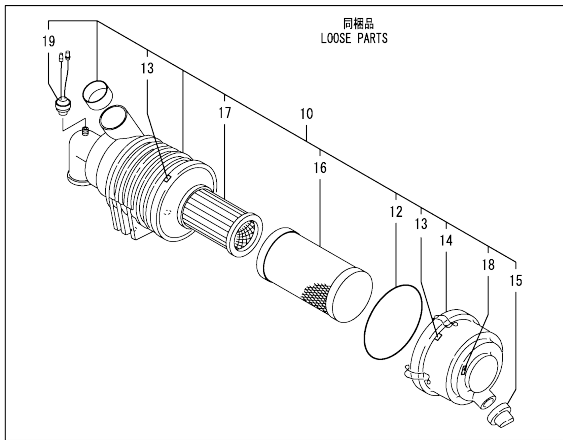
(D)=  
(E)=  
(F)=

No.	Lev.	Parts No.	Description	Q'ty						I	R
				(A)	(B)	(C)	(D)	(E)	(F)		
1	1	129601-11241	SHAFT ASSY, ROCKER	1							
2	2	129601-11251	SHAFT, ROCKER ARM	1							
4	2	119802-11260	SUPPORT, ROCKER ARM	2							
5	2	119802-11270	SUPPORT, ROCKER ARM	3							
6	2	129150-11280	SPRING	4							
7	2	129004-11650	ARM, ROCKER	8							
8	3	129150-11230	SCREW, VALVE ADJUST	8							
10	3	129150-11750	NUT, M8	8							
11	2	26226-080182	STUD, M8X 18	3							
12	1	129150-11370	CAP, VALVE	8							
13	1	129604-11700	HEAD ASSY, CYLINDER	1							
18	2	27241-400000	PLUG, 40	2							
19	2	129005-11100	VALVE, INTAKE	4							
20	2	129100-11112	VALVE, EXHAUST	4							
21	2	129795-11120	SPRING, VALVE	8							
22	2	129795-11180	RETAINER, SPRING	8							
23	2	121400-11340	SEAL, VALVE STEM	4							
24	2	124460-11340	SEAL, VALVE STEM	4							
25	2	27310-080001	COTTER, 8	8							
27	1	119802-11870	PROTECTOR, NOZZLE	4							
28	1	119625-11880	SEAT, NOZZLE	4							
29	1	129004-11900	RETAINER, NOZZLE	4							
30	1	120270-54410	WASHER, INJECTOR	4							
31	1	22351-060012	PIN, SPRING 6.0X12	2							
32	1	26106-080252	BOLT, M8X 25 PLATED	3							
33	1	26106-080352	BOLT, M8X 35 PLATED	4							
34	1	26106-080502	BOLT, M8X 50 PLATED	7							
35	1	124160-01751	COVER, FILLER	1							
36	1	129601-11350	BONNET ASSY, HEAD	1							
37	2	129004-03010	PLATE	1							
38	2	129150-03070	BAFFLE, BREATHER	1							
39	2	119802-03110	PLATE	1							
40	2	119802-03121	COVER, DIAPHRAGM	1							
41	2	119802-03130	DIAPHRAGM	1							
42	2	119802-03141	SPRING, DIAPHRAGM	1							
44	2	129601-11310	GASKET, BONNET	1							
45	2	22857-500100	SCREW, 5X10	4							
46	2	22857-500100	SCREW, 5X10	4							
47	1	124160-11360	KNOB	3							
48	1	24311-000120	O-RING, 1AP12.0	3							
49	1	24311-000320	O-RING, 1AP32.0	1							
50	1	129900-07900	LIFTER	2							
51	1	26106-080162	BOLT, M8X 16 PLATED	4							
52	1	119803-77830	HARNES, WIRE	1							
53	1	129008-77800	PLUG, GLOW	4							
54	1	129604-77821	CONNECTOR, GLOW PLUG	1							
55	1	120130-11860	GUIDE, VALVE	4							1
56	1	129150-11810	GUIDE, VALVE	4							1

Remarks  
(1)Repair part.

N:Old  $\frac{100}{100}$  New, Q:Old  $\frac{100}{100}$  New, R:Old  $\frac{100}{100}$  New, S:Old  $\frac{100}{100}$  New, W:Add, Z:Discontinued, F:Interchangeable by set, K:Q'ty Change  
Copyright (C) YANMAR CO., LTD. All Rights Reserved.

Fig.5. SUCTION MANIFOLD & AIR CLEANER

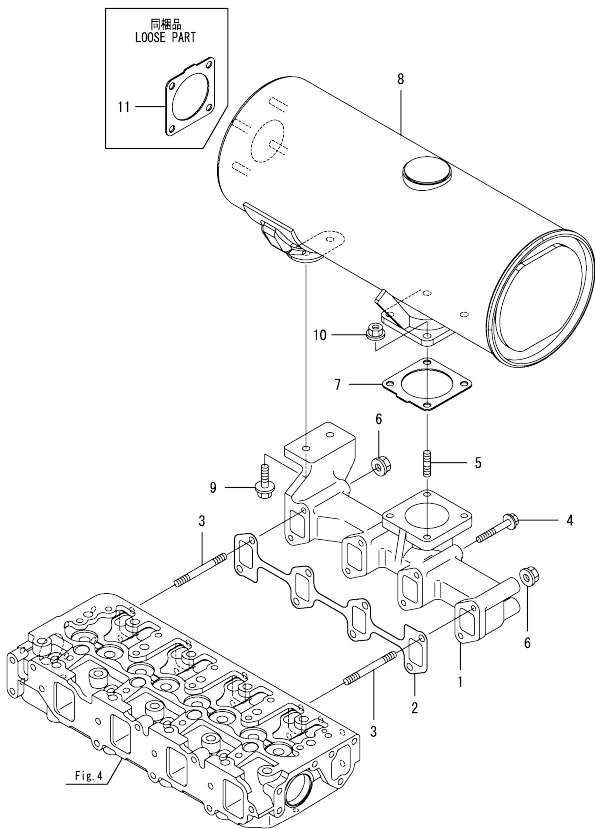


No.	Lev.	Parts No.	Description	Q'ty						I	R
				(A)	(B)	(C)	(D)	(E)	(F)		
1	1	129005-03080	PIPE, BREATHER	1							
2	2	129410-03990	CLAMP 22	2							
3	1	129602-12101	MANIFOLD, AIR INTAKE	1							
4	1	129407-12110	GASKET, MANIFOLD	1							
5	1	26106-080202	BOLT, M8X 20 PLATED	6							
6	1	26106-080802	BOLT, M8X 80 PLATED	1							
7	1	129486-12581	JOINT, MANIFOLD	1							
8	1	129150-77511	GASKET	1							
9	1	26106-080202	BOLT, M8X 20 PLATED	4							
10	1	129910-12502	CLEANER ASSY, AIR	1							
12	2	129932-12520	O-RING	1							
13	2	129418-12530	LABEL, MARK	2							
14	2	129900-12530	COVER ASSY	1							
15	2	119808-12540	VALVE, UNLOADER	1							
16	2	129062-12560	ELEMENT	1							
17	2	119005-12571	ELEMENT	1							
18	2	129612-12650	LABEL, MARKING	1							
19	2	119140-12680	INDICATOR	1							



OCD11-M13800

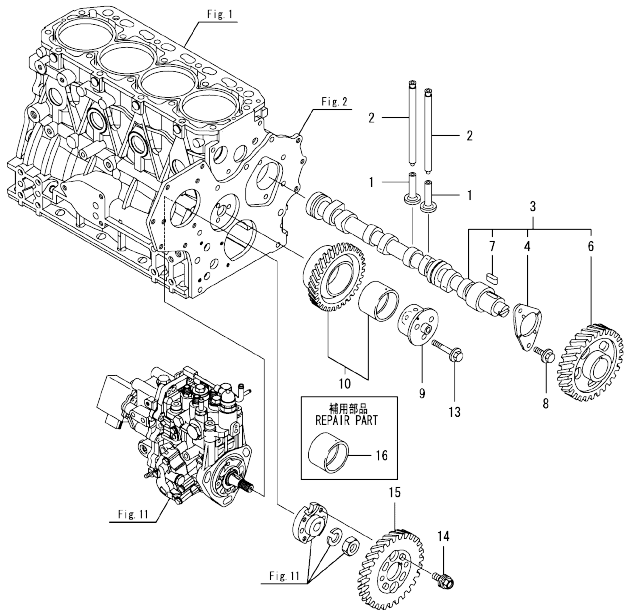
Fig.6. EXHAUST MANIFOLD & SILENCER



No.	Lev.	Parts No.	Description	Q'ty					
				(A)	(B)	(C)	(D)	(E)	(F)
1	1	129601-13109	MANIFOLD, EXHAUST	1					
2	1	129550-13110	GASKET	1					
3	1	123900-13610	STUD, M8X80	2					
4	1	123900-13630	BOLT, M8X80	6					
5	1	119131-18320	STUD, M8X22	4					
6	1	26306-080002	NUT, M8	2					
7	1	129930-13201	GASKET, SILENCER	1					
8	1	129601-13500	SILENCER	1					
9	1	26106-080252	BOLT, M8X 25 PLATED	2					
10	1	26306-080002	NUT, M8	4					
11	1	129930-13201	GASKET, SILENCER	1					

N:Old  $\frac{100}{100}$  New, Q:Old  $\frac{100}{100}$  New, R:Old  $\frac{100}{100}$  New, S:Old  $\frac{100}{100}$  New, W:Add, Z:Discontinued, F:Interchangeable by set, K:Qty Change  
 Copyright (C) YANMAR CO., LTD. All Rights Reserved.

Fig.7. CAMSHAFT & DRIVING GEAR

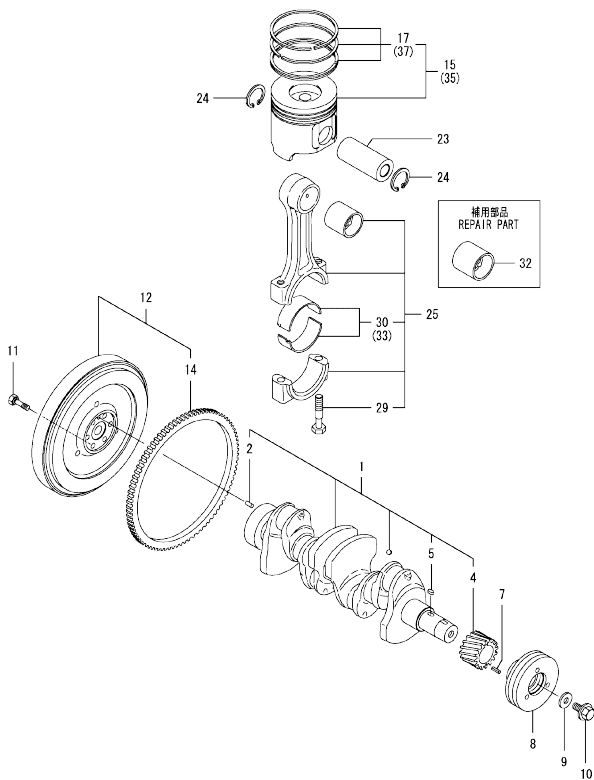


No.	Lev.	Parts No.	Description	Q'ty						I	R
				(A)	(B)	(C)	(D)	(E)	(F)		
1	1	129150-14200	TAPPET	8							
2	1	129150-14400	ROD, PUSH L=178	8							
3	1	729402-14580	CAMSHAFT ASSY	1							
4	2	129150-02450	BEARING, THRUST	1							
6	2	129150-14101	GEAR, CAMSHAFT	1							
7	2	22512-070140	KEY, 7X 14	1							
8	1	26106-080142	BOLT, M8X 14 PLATED	2							
9	1	119803-25050	SHAFT, IDLE	1							
10	1	119802-25101	GEAR ASSY, IDLE	1							
13	1	26106-080402	BOLT, M8X 40 PLATED	3							
14	1	129150-25301	BOLT	4							
15	1	119802-25901	GEAR, PUMP	1							
16	1	119802-25071	BUSH, IDLE GEAR	1							1

Remarks  
(1)Repair part.

OCD11-M13800

Fig.8. CRANKSHAFT & PISTON



No.	Lev.	Parts No.	Description	Q'ty						I	R
				(A)	(B)	(C)	(D)	(E)	(F)		
1	1	129604-21000	CRANKSHAFT ASSY	1							
2	2	129100-01580	PIN, M8X16	1							
4	2	119803-21200	GEAR, CRANKSHAFT	1							
5	2	22512-070140	KEY, 7X 14	1							
7	1	22351-030010	PIN, SPRING 3.0X10	1							
8	1	129558-21660	V-PULLEY, CRANKSHAFT	1							
9	1	129795-21661	WASHER	1							
10	1	121850-21680	BOLT	1							
11	1	121111-21501	BOLT, FLYWHEEL	6							
12	1	129489-21590	FLYWHEEL ASSY	1							
14	2	119865-21600	GEAR, RING	1							
15	1	129005-22080	PISTON ASSY	4							
17	2	129005-22500	RING SET, PISTON	4							
23	1	129202-22300	PIN, PISTON D26 L70	4							
24	1	22252-000260	RING, 26	8							
25	1	729402-23100	ROD ASSY, CONNECTING	4							
29	2	121550-23200	BOLT, CONNECTING ROD	8							
30	2	129150-23601	BEARING, CRANK PIN	4							
32	1	129100-23910	BEARING, PISTON PIN	4							1
33	1	129150-23611	BEARING, 0.25 US	4							2
35	1	129005-22900	PISTON ASSY, 0.25 OS	4							3
37	2	129005-22950	RING SET, 0.25 OS	4							3

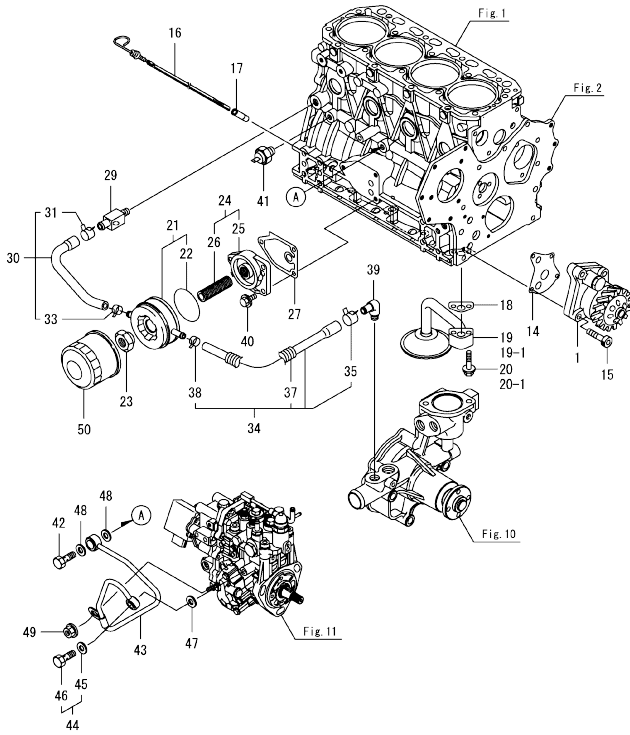
Remarks

- (1)Repair part.
- (2)Under-sized(U.S.=0.25)part.
- (3)Over-sized(O.S.=0.25)part.

N:Old  $\frac{100}{100}$  New, Q:Old  $\frac{100}{100}$  New, R:Old  $\frac{100}{100}$  New, S:Old  $\frac{100}{100}$  New, W:Add, Z:Discontinued, F:Interchangeable by set, K:Q'ty Change  
 Copyright (C) YANMAR CO., LTD. All Rights Reserved.

OCD11-M13800

Fig.9. LUB. OIL SYSTEM

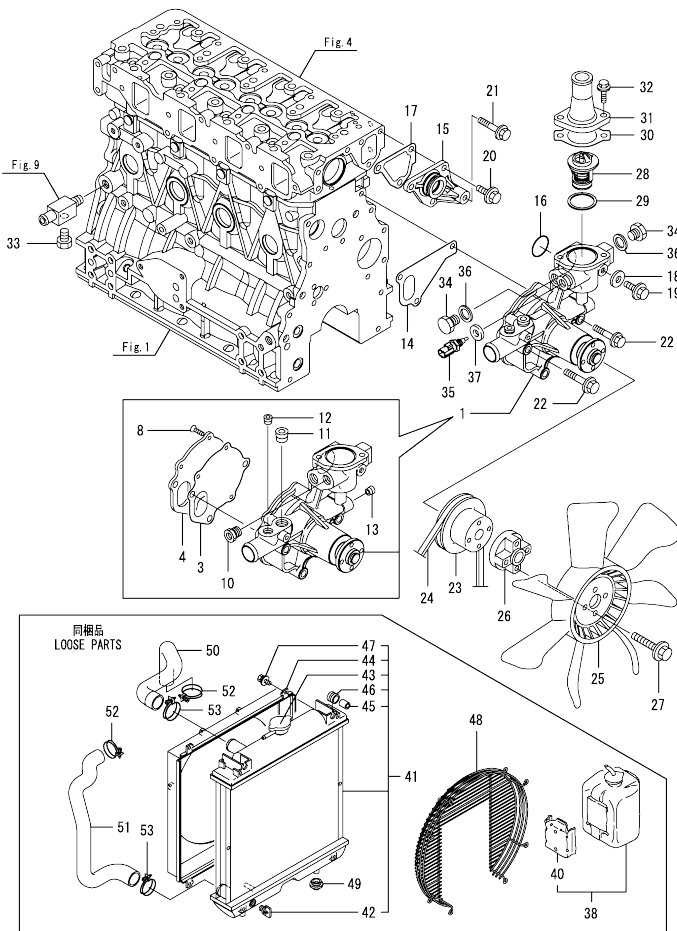


No.	Lev.	Parts No.	Description	Q'ty						I	R
				(A)	(B)	(C)	(D)	(E)	(F)		
1	1	129407-32000	PUMP ASSY, OIL	1							
14	1	129150-32020	GASKET, PUMP	1							
15	1	26450-060252	BOLT, M6X 25	4							
16	1	129004-34802	DIPSTICK, OIL	1							
17	1	121520-34810	GUIDE, DIPSTICK	1							
18	1	129150-35042	GASKET	1							
19	1	129436-35091	PIPE ASSY, OIL INLET	1							
19-1	1	129436-35070	PIPE ASSY, LUB. OIL	1							S
(A=EZZZZZ)											
20	1	26106-080352	BOLT, M8X 35 PLATED	2							
20-1	1	26106-080552	BOLT, M8X 55 PLATED	2							S
(A=EZZZZZ)											
21	1	129508-33010	COOLER ASSY, OIL	1							
22	2	129508-33050	O-RING	1							
23	1	129417-33110	NUT	1							
24	1	129006-35100	BRACKET ASSY, FILTER	1							
25	2	119802-35110	BRACKET, FILTER	1							
26	2	129417-35150	STUD, L=67	1							
27	1	129150-35111	GASKET	1							
29	1	129006-44480	JOINT	1							
30	1	129508-49030	PIPE ASSY, WATER	1							
31	2	171008-03990	CLIP, HOSE 18.5	1							
33	2	23080-015000	CLAMP, 15	1							
34	1	129508-49040	PIPE ASSY, WATER	1							
35	2	171008-03990	CLIP, HOSE 18.5	1							
37	2	119940-59130	TUBE, CORRUGATED	1							
38	2	23080-015000	CLAMP, 15	1							
39	1	129103-49301	ELBOW, PT1/4	1							
40	1	26106-080202	BOLT, M8X 20 PLATED	3							
41	1	119761-39450	SWITCH, 0.5KG	1							
42	1	124160-39140	BOLT, PIPE JOINT M10	1							
43	1	119802-39450	PIPE ASSY, OIL	1							
44	1	129005-59830	BOLT ASSY, JOINT M8	1							
45	2	22190-080002	WASHER, SEAL 6	1							
46	2	23857-030000	BOLT, JOINT 3	1							
47	1	22190-080002	WASHER, SEAL 6	1							
48	1	22190-100002	WASHER, SEAL 10	2							
49	1	26366-060002	NUT, M6	1							
50	1	129150-35153	FILTER 80X80L	1							1

Remarks  
(1)Repair part.

N:Old  $\frac{New}{Old}$  New, Q:Old  $\frac{New}{Old}$  New, R:Old  $\frac{New}{Old}$  New, S:Old  $\frac{New}{Old}$  New, W:Add, Z:Discontinued, F:Interchangeable by set, K:Qty Change  
Copyright (C) YANMAR CO., LTD. All Rights Reserved.

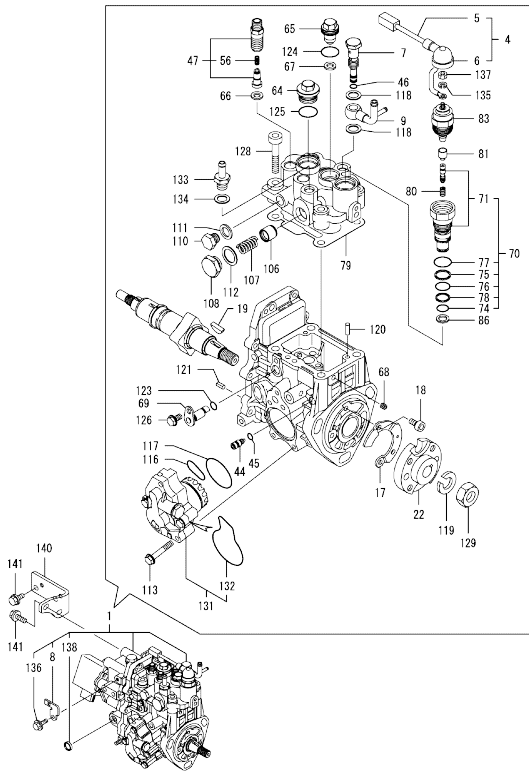
Fig.10. COOLING WATER SYSTEM



No.	Lev.	Parts No.	Description	Q'ty						I	R
				(A)	(B)	(C)	(D)	(E)	(F)		
1	1	129632-42000	PUMP ASSY, WATER	1							
3	2	129100-42051	GASKET, WATER PUMP	1							
4	2	129100-42121	PLATE	1							
8	2	121850-42410	SCREW	3							
10	2	129263-49350	JOINT	1							
11	2	129916-49740	PLUG, R03	1							
12	2	23875-020000	PLUG, R02	1							
13	2	23876-010000	PLUG, R01	1							
14	1	129486-42021	GASKET, WATER PUMP	1							
15	1	129004-42040	JOINT	1							
16	1	129486-42140	O-RING, G30	1							
17	1	124395-49840	GASKET	1							
18	1	23414-080000	GASKET, 8X1.0	1							
19	1	26106-080122	BOLT, M8X 12 PLATED	1							
20	1	26106-080162	BOLT, M8X 16 PLATED	3							
21	1	26106-080452	BOLT, M8X 45 PLATED	1							
22	1	26106-080602	BOLT, M8X 60 PLATED	3							
23	1	129155-42350	V-PULLEY	1							
24	1	129612-42390	V-BELT, A40	1							
25	1	129655-44740	FAN, COOLING D380	1							
26	1	171353-44760	SPACER, FAN	1							
27	1	26106-060402	BOLT, M6X 40 PLATED	4							
28	1	129155-49801	THERMOSTAT, 71	1							
29	1	129150-49811	GASKET, THERMOSTAT	1							
30	1	129795-49551	GASKET	1							
31	1	129350-49560	COVER, THERMOSTAT	1							
32	1	26106-080222	BOLT, M8X 22 PLATED	2							
33	1	171056-49120	PLUG, DRAIN	1							
34	1	121450-42450	PLUG, M16	2							
35	1	129927-44900	SENSOR	1							
36	1	124465-44950	GASKET, 16	2							
37	1	22190-120002	WASHER, SEAL 12	1							
38	1	720445-44200	TANK ASSY, SUB	1							
40	2	120445-44540	SUPPORT	1							
41	1	129508-44501	RADIATOR ASSY	1							
42	2	129508-44550	COCK ASSY	1							
43	2	129107-44590	CAP, RADIATOR	1							
44	2	129601-44600	SHROUD	1							
45	2	118400-44670	COLLAR	2							
46	2	118400-44720	MOUNT, RUBBER	2							
47	2	26014-060122	BOLT, M6X 12	4							
48	1	129601-44560	GUARD	1							
49	1	119255-44660	ABSORBER	2							
50	1	129602-49010	PIPE, WATER	1							
51	1	129612-49040	PIPE, WATER	1							
52	1	23010-038000	CLAMP, 38	2							
53	1	23010-044000	CLAMP, 44	2							

N:Old  $\frac{100}{100}$  New, Q:Old  $\frac{100}{100}$  New, R:Old  $\frac{100}{100}$  New, S:Old  $\frac{100}{100}$  New, W:Add, Z:Discontinued, F:Interchangeable by set, K:Q'ty Change  
 Copyright (C) YANMAR CO., LTD. All Rights Reserved.

Fig.11. FUEL INJECTION PUMP



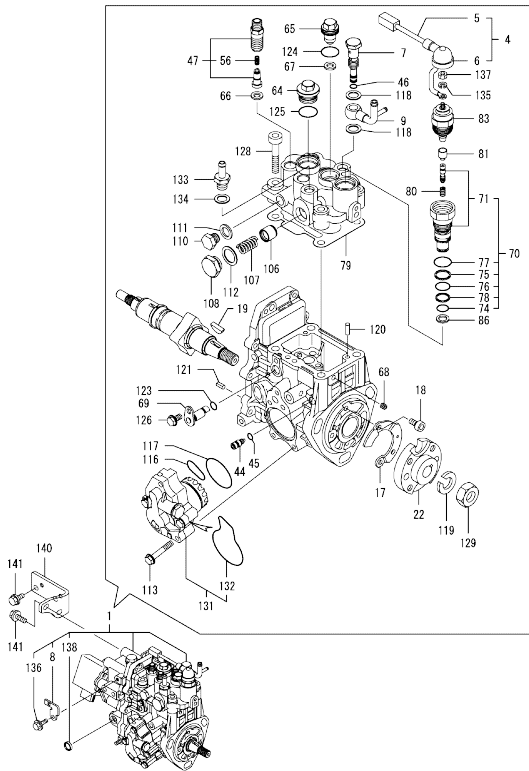
Remarks  
 (1)Governor(Fig.12)is incorporated in this Fuel Injection Pump (Ref.1).  
 (1)Eco Pump  
 Make sure to update the engines ECU information when replacing the Eco Pump.  
 Failing to do so will result in engine malfunction.

No.	Lev.	Parts No.	Description	Q'ty						I	R
				(A)	(B)	(C)	(D)	(E)	(F)		
1	1	729632-51550	PUMP ASSY, INJECTION	1							1
4	2	129927-51650	HARNESS ASSY, WIRE	1							
5	3	129927-51660	HARNESS, WIRE	1							
6	3	129263-77941	CAP, RUBBER	1							
7	2	158601-51650	JOINT, OVER FLOW	1							
8	2	129927-51670	BRACKET	1							
9	2	158552-51670	JOINT, OVER FLOW	1							
17	2	129008-51900	COVER, GEAR CASE	1							
18	2	129008-51920	BOLT, M6X10	2							
19	2	119802-51090	KEY, 4X16	1							
22	2	158552-51151	FLANGE	1							
44	2	158600-51270	STOPPER, TAPPET	1							
45	2	158563-51281	O-RING, 4D S6	1							
46	2	158563-51281	O-RING, 4D S6	1							
47	2	129008-51390	VALVE ASSY, DELIVERY	4							
56	3	158563-51330	SPRING, DELIVERY	4							
64	2	158601-51550	PLUG	1							
65	2	119802-51560	PLUG, BARREL	1							
66	2	158552-51571	GASKET	4							
67	2	158552-51571	GASKET	1							
68	2	158557-51570	PLUG	1							
69	2	158552-51580	LIFTER	1							
70	2	129657-51590	TIMER SET	1							
71	3	129657-51600	TIMER ASSY	1							
74	3	158553-51670	O-RING, 1011	1							
75	3	119802-51680	RING, BACK UP	1							
76	3	119802-51690	O-RING	1							
77	3	24356-190200	O-RING, 4D19020	1							
78	3	24372-000150	RING, BACK UP T2P15	1							
79	2	158552-51600	GASKET	1							
80	2	119852-51630	SPRING, TIMER	1							
81	2	119852-51640	CAP	1							
83	2	119852-51650	VALVE ASSY	1							
86	2	158553-51680	GASKET	1							
106	2	158601-51770	PISTON	1							
107	2	158552-51781	SPRING	1							
108	2	158601-51790	PLUG	1							
110	2	158553-51930	PLUG, M12	1							
111	2	22190-120002	WASHER, SEAL 12	1							
112	2	22190-180002	WASHER, SEAL 18	1							
113	2	158553-51770	BOLT	4							
116	2	158552-52311	O-RING	1							
117	2	158552-52400	O-RING, 4E S42	1							
118	2	22190-120002	WASHER, SEAL 12	2							
119	2	22217-140000	WASHER, SPRING 14	1							
120	2	22312-050140	PIN, PARALLEL M5X14	2							
121	2	22351-050010	PIN, SPRING 5.0X10	2							
123	2	24311-000070	O-RING, 1AP7.0	1							
124	2	24356-190180	O-RING, 4D19018	1							
125	2	24356-190200	O-RING, 4D19020	1							
126	2	26106-060102	BOLT, M6X 10 PLATED	1							

N:Old <sup>(REV)</sup>/<sub>(REV)</sub> New, Q:Old <sup>(REV)</sup>/<sub>(REV)</sub> New, R:Old <sup>(REV)</sup>/<sub>(REV)</sub> New, S:Old <sup>(REV)</sup>/<sub>(REV)</sub> New, W:Add, Z:Discontinued, F:Interchangeable by set, K:Q'ty Change  
 ++ CONTINUE ++  
 Copyright (C) YANMAR CO., LTD. All Rights Reserved.

OCD11-M13800

Fig.11. FUEL INJECTION PUMP



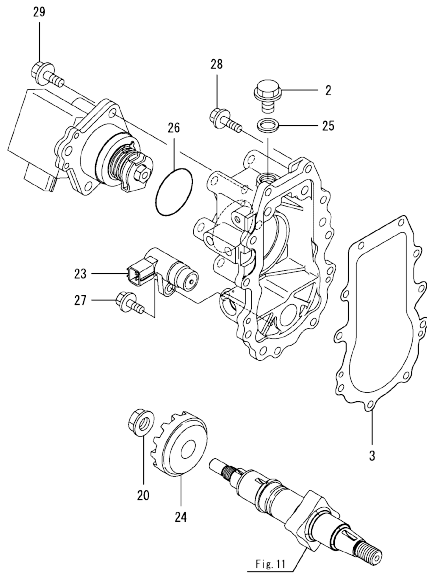
No.	Lev.	Parts No.	Description	Q'ty					
				(A)	(B)	(C)	(D)	(E)	(F)
128	2	26450-080452	BOLT, M8X 45	4					
129	2	26776-140002	NUT, LOCK M14	1					
131	2	158552-52100	PUMP ASSY, FUEL FEED	1					
132	3	158552-52500	O-RING	1					
133	2	119934-59910	JOINT, PIPE	1					
134	2	22190-120002	WASHER, SEAL 12	1					
135	2	22217-050000	WASHER, SPRING 5	1					
136	2	26106-060142	BOLT, M6X 14 PLATED	1					
137	2	26716-050002	NUT, M5	1					
138	2	27241-160000	PLUG, 16	1					
140	1	129263-51251	RETAINER, PUMP	1					
141	1	26106-080162	BOLT, M8X 16 PLATED	4					

Remarks

(1) Governor (Fig.12) is incorporated in this Fuel Injection Pump (Ref.1).  
 (1) Eco Pump  
 Make sure to update the engines ECU information when replacing the Eco Pump.  
 Failing to do so will result in engine malfunction.

OCD11-M13800

Fig.12. GOVERNOR



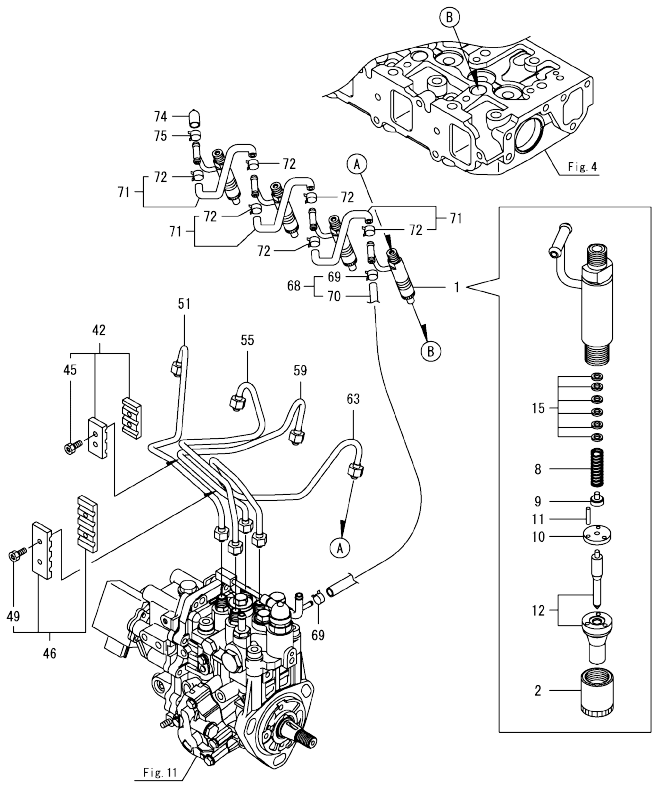
No.	Lev.	Parts No.	Description	Q'ty					
				(A)	(B)	(C)	(D)	(E)	(F)
2	2	158553-51930	PLUG, M12	1					
3	2	158553-61050	GASKET	1					
20	2	129008-61301	NUT	1					
23	2	158557-61720	SENSOR	1					
24	2	158553-61780	GEAR, SENSOR	1					
25	2	22190-120002	WASHER, SEAL 12	1					
26	2	24341-000480	O-RING, 1AS48.0	1					
27	2	26106-060162	BOLT, M6X 16 PLATED	1					
28	2	26106-060202	BOLT, M6X 20 PLATED	10					
29	2	26106-080252	BOLT, M8X 25 PLATED	3					

Remarks  
 \*This figure(Governor)is incorporated  
 in the Fuel Injection Pump (Fig.11).

N:Old  $\frac{New}{Old}$  New, Q:Old  $\frac{New}{Old}$  New, R:Old  $\frac{New}{Old}$  New, S:Old  $\frac{New}{Old}$  New, W:Add, Z:Discontinued, F:Interchangeable by set, K:Q'ty Change  
 Copyright (C) YANMAR CO., LTD. All Rights Reserved.



Fig.13. FUEL INJECTION VALVE

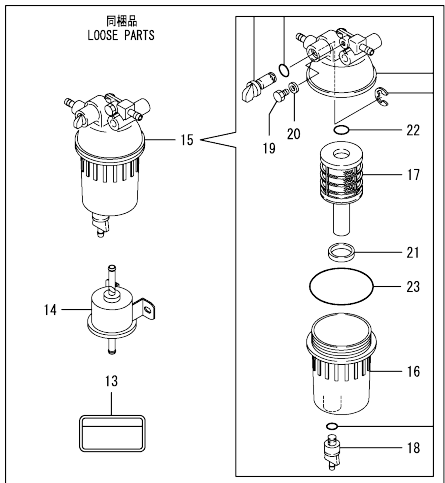
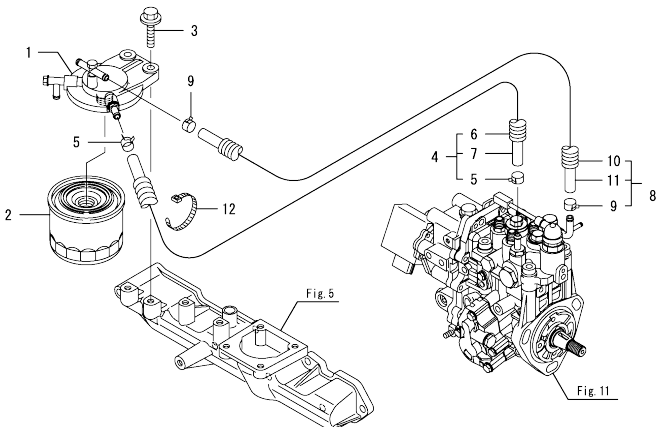


No.	Lev.	Parts No.	Description	Q'ty						I	R
				(A)	(B)	(C)	(D)	(E)	(F)		
1	1	729604-53400	VALVE ASSY,INJECTION	4							
2	2	114250-53080	NUT, NOZZLE D16.95	4							
8	2	114250-53120	SPRING, NOZZLE	4							
9	2	114250-53130	SEAT, SPRING	4							
10	2	114250-53140	PLATE	4							
11	2	114250-53210	PIN	8							
12	2	129604-53300	VALVE ASSY,INJECTION	4							
15	2	119803-53400	SHIM SET	4							
42	1	129150-59120	RETAINER, PIPE	1							
45	2	129150-59131	BOLT, M4X14	2							
46	1	129550-59120	RETAINER, PIPE	1							
49	2	129150-59131	BOLT, M4X14	2							
51	1	129601-59810	PIPE ASSY, INJECTION	1							
55	1	129601-59820	PIPE ASSY, INJECTION	1							
59	1	129601-59830	PIPE ASSY, INJECTION	1							
63	1	129601-59840	PIPE ASSY, INJECTION	1							
68	1	119802-59550	PIPE ASSY, RETURN	1							
69	2	124722-59050	CLIP, HOSE 9	2							
70	2	119802-59560	PIPE, FUEL RETURN	1							
71	1	129486-59551	PIPE ASSY, RETURN	3							
72	2	124722-59050	CLIP, HOSE 9	6							
74	1	119593-59581	CAP	1							
75	1	124060-77680	CLIP, HOSE 10	1							

N:Old  $\frac{100}{100}$  New, Q:Old  $\frac{100}{100}$  New, R:Old  $\frac{100}{100}$  New, S:Old  $\frac{100}{100}$  New, W:Add, Z:Discontinued, F:Interchangeable by set, K:Q'ty Change  
 Copyright (C) YANMAR CO., LTD. All Rights Reserved.

OCD11-M13800

Fig.14. FUEL LINE

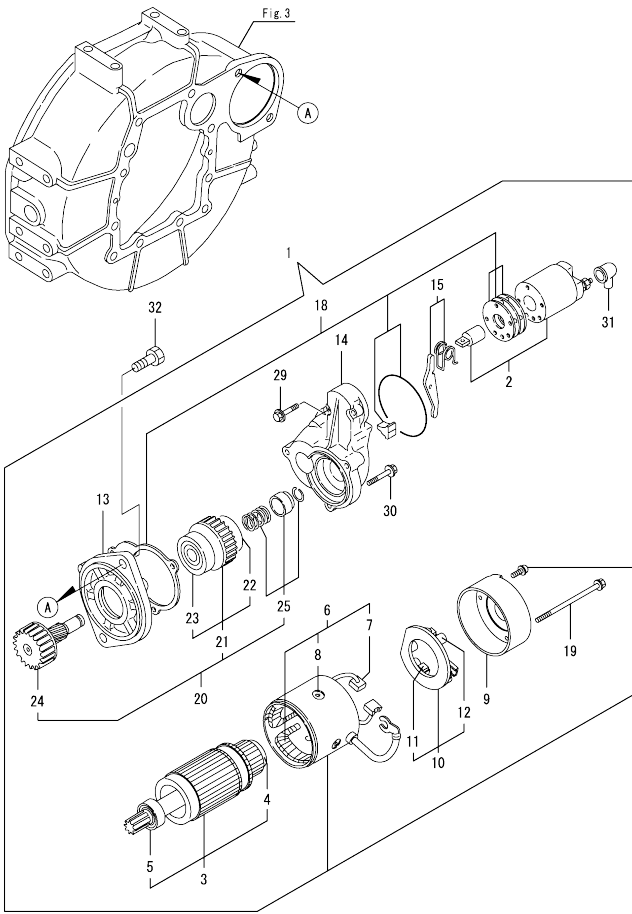


No.	Lev.	Parts No.	Description	Q'ty						I	R
				(A)	(B)	(C)	(D)	(E)	(F)		
1	1	129004-55612	BRACKET, FILTER	1							
2	1	119802-55801	FILTER, FUEL	1							
3	1	26106-080302	BOLT, M8X 30 PLATED	2							
4	1	129630-59010	PIPE ASSY, FUEL	1							
5	2	124766-59050	CLIP, HOSE 12	2							
6	2	129961-59110	TUBE, CORRUGATED	1							
7	2	105025-59560	PIPE, FUEL	1							
8	1	129956-59010	PIPE ASSY, FUEL	1							
9	2	124766-59050	CLIP, HOSE 12	2							
10	2	129957-59101	TUBE, CORRUGATED	1							
11	2	105225-59511	PIPE, FUEL	1							
12	1	121750-59890	BAND, 140	1							
13	1	114110-07760	LABEL, FUEL OIL	1							
14	1	129612-52100	PUMP ASSY, FUEL FEED	1							
15	1	129242-55701	SEPARATOR ASSY	1							
16	2	129242-55720	CUP	1							
17	2	129242-55730	ELEMENT	1							
18	2	129242-55740	PLUG, DRAIN	1							
19	2	129242-55750	VALVE, AIR VENT	1							
20	2	129242-55760	GASKET	1							
21	2	129242-55770	FLOAT	1							
22	2	24311-000160	O-RING, 1AP16.0	1							
23	2	24321-000750	O-RING, 1AG75.0	1							

N:Old  $\frac{New}{Old}$  New, Q:Old  $\frac{New}{Old}$  New, R:Old  $\frac{New}{Old}$  New, S:Old  $\frac{New}{Old}$  New, W:Add, Z:Discontinued, F:Interchangeable by set, K:Q'ty Change  
Copyright (C) YANMAR CO., LTD. All Rights Reserved.

OCD11-M13800

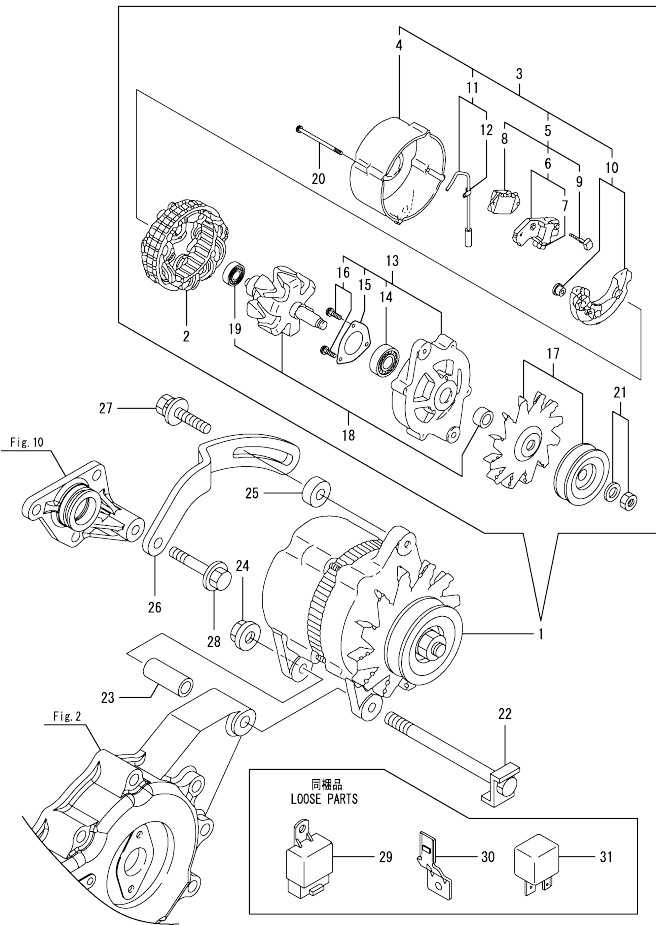
Fig.15. STARTING MOTOR



No.	Lev.	Parts No.	Description	Q'ty						I	R
				(A)	(B)	(C)	(D)	(E)	(F)		
1	1	129136-77011	STARTER	1							
2	2	129136-77310	SWITCH ASSY	1							
3	2	129900-77400	ARMATURE ASSY	1							
4	3	X2130350900	BALL BEARING	1							
5	3	X2114255110	BEARING, BALL	1							
6	2	129900-77440	COIL ASSY, FIELD	1							
7	3	129900-77450	BRUSH (+)	2							
8	3	171008-77450	SCREW	4							
9	2	129900-77460	COVER, REAR	1							
10	2	129900-77480	HOLDER ASSY, BRASH	1							
11	3	129900-77450	BRUSH (+)	2							
12	3	129400-77490	SPRING, BRUSH	4							
13	2	171008-77510	HOUSING ASSY, GEAR	1							
14	2	129136-77520	CENTER HOUSING	1							
15	2	171008-77540	LEVER SET, SHIFT	1							
18	2	129400-77571	COVER KIT, DUST	1							
19	2	129900-77640	BOLT, THROUGHT	2							
20	2	171008-77650	PINION ASSY	1							
21	3	X2114555500	CLUTCH ASSY	1							
22	4	X2114955020	BALL BEARING	1							
23	4	X2240410100	BEARING, BALL	1							
24	3	171008-77660	SHAFT, PINION	1							
25	3	171008-77670	STOPPER SET, PINION	1							
29	2	26106-060322	BOLT, M6X 32 PLATED	2							
30	2	26106-060402	BOLT, M6X 40 PLATED	3							
31	2	171008-77750	COVER, M TERMINAL	1							
32	1	26116-120252	BOLT, M12X 25 PLATED	2							

N:Old  $\frac{New}{Old}$  New, Q:Old  $\frac{New}{Old}$  New, R:Old  $\frac{New}{Old}$  New, S:Old  $\frac{New}{Old}$  New, W:Add, Z:Discontinued, F:Interchangeable by set, K:Q'ty Change  
 Copyright (C) YANMAR CO., LTD. All Rights Reserved.

Fig.16. GENERATOR

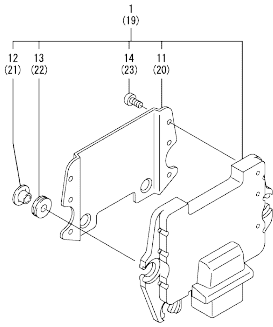


No.	Lev.	Parts No.	Description	Q'ty						I	R
				(A)	(B)	(C)	(D)	(E)	(F)		
1	1	129930-77200	ALTERNATOR, 12V-25A	1							
2	2	XL125G1200	STATOR ASSY	1							
3	2	XL125G1300	COVER ASSY	1							
4	3	XL125G1301	COVER, REAR	1							
5	3	XL125G1315	BRUSH REGULATOR ASSY	1							
6	4	XL125G1330	BRUSH ASSY	1							
7	5	XL15073251	BRUSH SET	2							
8	4	124080-77390	REGULATOR ASSY	1							
9	4	124080-77520	BOLT M5	2							
10	3	XL1807320	DIODE ASSY	1							
11	3	119129-77250	WIRE, LEAD	1							
12	4	119129-77260	CLAMP	1							
13	2	XL125G1400	COVER ASSY, FRONT	1							
14	3	119129-77850	BALL BEARING	1							
15	3	119129-77870	RETAINER, BEARING	1							
16	3	119129-77930	SCREW KIT	1							
17	2	XL125G1500	PULLEY ASSY	1							
18	2	XL240G5100	ROTOR ASSY	1							
19	3	119129-77320	BALL BEARING	1							
20	2	119129-77890	BOLT, THROUGH	4							
21	2	119129-77900	NUT ASSY, PULLEY	1							
22	1	129002-77281	BOLT, M10	1							
23	1	129002-77340	PIECE, DISTANCE	1							
24	1	26306-100002	NUT, M10	1							
25	1	119940-77270	SPACER, GENERATOR	1							
26	1	129631-77310	ADJUSTER, BELT	1							
26-1	1	129631-77311	ADJUSTER, BELT	1							R
(A=EZZZZZ)											
27	1	129972-77341	BOLT, ADJUSTER L=50	1							
28	1	26106-080452	BOLT, M8X 45 PLATED	1							
29	1	198461-52950	RELAY, CA TYPE C	2							
30	1	129927-77910	BRACKET, CONNECTOR	2							
31	1	129927-77920	RELAY	2							

N:Old  $\frac{New}{Old}$  New, Q:Old  $\frac{New}{Old}$  New, R:Old  $\frac{New}{Old}$  New, S:Old  $\frac{New}{Old}$  New, W:Add, Z:Discontinued, F:Interchangeable by set, K:Qty Change  
 Copyright (C) YANMAR CO., LTD. All Rights Reserved.

OCD11-M13800

Fig.17. ELECTRONIC CONTROL UNIT (ECU)



(A)=4TNV88-ZKASB  
(B)=  
(C)=

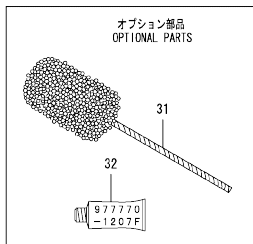
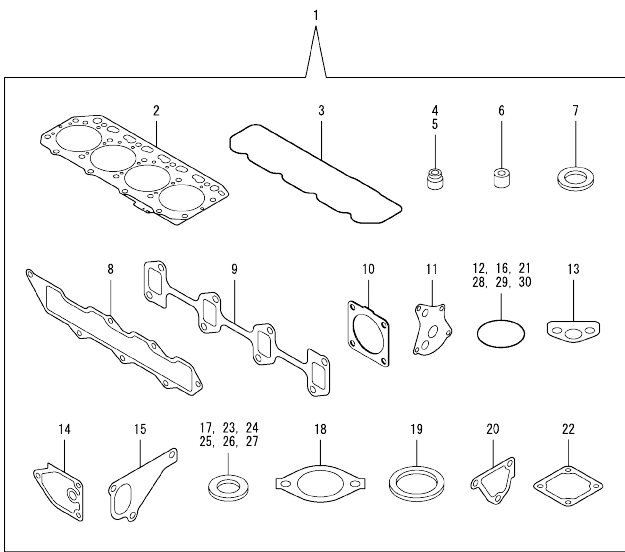
(D)=  
(E)=  
(F)=

No.	Lev.	Parts No.	Description	Q'ty						I	R
				(A)	(B)	(C)	(D)	(E)	(F)		
1	1	129631-75020	ECU CMP(4TNV88-ZKASB	1							1
11	2	129927-77600	SHIELD	1							
12	2	129927-77680	COLLAR	3							
13	2	119578-91351	ABSORBER	3							
14	2	22877-500080	SCREW, 5X 8	6							
19	1	129927-75900	CONTROLLER ASSY, EUC	1							2
20	2	129927-77600	SHIELD	1							
21	2	129927-77680	COLLAR	3							
22	2	119578-91351	ABSORBER	3							
23	2	22877-500080	SCREW, 5X 8	6							

Remarks  
(1)Eco ECU  
This part cannot be ordered.  
Replace the part using a Service ECU with the proper engine information installed.  
(2)Service ECU  
If the proper information is not installed, the engine will not operate.  
To install proper information, go to an authorized Distributor.

OCD11-M13800

Fig.18. GASKET SET



(A)=4TNV88-ZKASB  
(B)=  
(C)=

(D)=  
(E)=  
(F)=

No.	Lev.	Parts No.	Description	Q'ty						I	R
				(A)	(B)	(C)	(D)	(E)	(F)		
1	1	729602-92730	GASKET SET	1							1
2	2	129407-01340	GASKET, HEAD	1							
3	2	129601-11310	GASKET, BONNET	1							
4	2	121400-11340	SEAL, VALVE STEM	4							
5	2	124460-11340	SEAL, VALVE STEM	4							
6	2	119802-11870	PROTECTOR, NOZZLE	4							
7	2	119625-11880	SEAT, NOZZLE	4							
8	2	129407-12110	GASKET, MANIFOLD	1							
9	2	129550-13110	GASKET	1							
10	2	129930-13201	GASKET, SILENCER	2							
11	2	129150-32020	GASKET, PUMP	1							
12	2	119609-32040	O-RING, P16	2							
13	2	129150-35042	GASKET	1							
14	2	129150-35111	GASKET	1							
15	2	129486-42021	GASKET, WATER PUMP	1							
16	2	129486-42140	O-RING, G30	1							
17	2	124465-44950	GASKET, 16	2							
18	2	129795-49551	GASKET	1							
19	2	129150-49811	GASKET, THERMOSTAT	1							
20	2	124395-49840	GASKET	1							
21	2	121850-51960	O-RING	1							
22	2	129150-77511	GASKET	1							
23	2	22190-080002	WASHER, SEAL 6	2							
24	2	22190-100002	WASHER, SEAL 10	2							
25	2	22190-120002	WASHER, SEAL 12	1							
26	2	22190-220002	WASHER, SEAL 22	1							
27	2	23414-080000	GASKET, 8X1.0	1							
28	2	24311-000120	O-RING, 1AP12.0	3							
29	2	24311-000320	O-RING, 1AP32.0	2							
30	2	24341-000240	O-RING, 1AS24.0	1							
31	1	129400-92430	HONE	1							1
32	1	977770-1207F	GASKET, LIQUID	1							1

Remarks  
(1)Optional parts.

N:Old  $\frac{100}{100}$  New, Q:Old  $\frac{100}{100}$  New, R:Old  $\frac{100}{100}$  New, S:Old  $\frac{100}{100}$  New, W:Add, Z:Discontinued, F:Interchangeable by set, K:Qty Change  
Copyright (C) YANMAR CO., LTD. All Rights Reserved.

## Parts No. Index

Parts No.	Fig. No.	Ref. No.
105025-59560	14	7
105225-59511	14	11
114110-07760	14	13
114250-53080	13	2
114250-53120	13	8
114250-53130	13	9
114250-53140	13	10
114250-53210	13	11
118400-44670	10	45
118400-44720	10	46
119005-12571	5	17
119129-77250	16	11
119129-77260	16	12
119129-77320	16	19
119129-77850	16	14
119129-77870	16	15
119129-77890	16	20
119129-77900	16	21
119129-77930	16	16
119131-18320	6	5
119140-12680	5	19
119255-44660	10	49
119578-91351	17	13
		22
119593-59581	13	74
119609-32040	2	9
	18	12
119620-01750	3	3
119625-11880	4	28
	18	7
119640-01640	3	8
119761-39450	9	41
119802-01561	2	5
119802-03110	4	39
119802-03121	4	40
119802-03130	4	41
119802-03141	4	42
119802-11260	4	4
119802-11270	4	5
119802-11870	4	27
	18	6
119802-25071	7	16
119802-25101	7	10
119802-25901	7	15
119802-35110	9	25
119802-39450	9	43
119802-51090	11	19
119802-51560	11	65
119802-51680	11	75
119802-51690	11	76

Parts No.	Fig. No.	Ref. No.
119802-55801	14	2
119802-59550	13	68
119802-59560	13	70
119803-01520	2	4
119803-21200	8	4
119803-25050	7	9
119803-53400	13	15
119803-77830	4	52
119808-12540	5	15
119852-51630	11	80
119852-51640	11	81
119852-51650	11	83
119865-21600	8	14
119934-01800	2	3
119934-59910	11	133
119940-59130	9	37
119940-77270	16	25
120130-11860	4	55
120270-54410	4	30
120445-44540	10	40
121023-01551	2	19
121111-21501	8	11
121400-11340	4	23
	18	4
121450-42450	10	34
121520-34810	9	17
121550-23200	8	29
121750-59890	14	12
121850-21680	8	10
121850-42410	10	8
121850-51960	2	10
	18	21
123900-13610	6	3
123900-13630	6	4
124060-01050	1	4
124060-77680	13	75
124080-77390	16	8
124080-77520	16	9
124160-01751	2	6
	4	35
124160-01910	1	6
	7	7
124160-11360	4	47
124160-39140	9	42
124240-01871	2	7
124395-49840	10	17
	18	20
124460-11340	4	24
	18	5
124465-44950	10	36

Parts No.	Fig. No.	Ref. No.
124465-44950	18	17
124722-59050	13	69
		72
124766-59050	14	5
		9
129001-01250	1	5
129001-02931	1	29
129002-77281	16	22
129002-77340	16	23
129004-03010	4	37
129004-11650	4	7
129004-11900	4	29
129004-34802	9	16
129004-42040	10	15
129004-55612	14	1
129005-03080	5	1
129005-11100	4	19
129005-22080	8	15
129005-22500	8	17
129005-22900	8	35
129005-22950	8	37
129005-59830	9	44
129006-35100	9	24
129006-44480	9	29
129008-51390	11	47
129008-51900	11	17
129008-51920	11	18
129008-61301	12	20
129008-77800	4	53
129062-12560	5	16
129100-01580	3	1
	15	15
	8	2
129100-11112	4	20
129100-23910	8	32
129100-42051	10	3
129100-42121	10	4
129103-49301	9	39
129107-44590	10	43
129136-77011	15	1
129136-77310	15	2
129136-77520	15	14
129150-01200	1	27
129150-02020	1	9
129150-02450	7	4
129150-02871	1	32
129150-02931	1	24
129150-02941	1	35
129150-03070	4	38
129150-11230	4	8

Parts No.	Fig. No.	Ref. No.
129150-11280	4	6
129150-11370	4	12
129150-11750	4	10
129150-11810	4	56
129150-14101	7	6
129150-14200	7	1
129150-14400	7	2
129150-23601	8	30
129150-23611	8	33
129150-25301	7	14
129150-32020	9	14
	18	11
129150-35042	9	18
	18	13
129150-35111	9	27
	18	14
129150-35153	9	50
129150-49811	10	29
	18	19
129150-59120	13	42
129150-59131	13	45
		49
129150-77511	5	8
	18	22
129155-42350	10	23
129155-49801	10	28
129202-22300	8	23
129242-55701	14	15
129242-55720	14	16
129242-55730	14	17
129242-55740	14	18
129242-55750	14	19
129242-55760	14	20
129242-55770	14	21
129263-49350	10	10
129263-51251	11	140
129263-77941	11	6
129350-49560	10	31
129400-01730	3	6
129400-77490	15	12
129400-77571	15	18
129400-92430	18	31
129407-01340	1	28
	18	2
129407-12110	5	4
	18	8
129407-32000	9	1
129410-03990	5	2
129417-33110	9	23
129417-35150	9	26

## Parts No. Index

Parts No.	Fig. No.	Ref. No.
129418-12530	5	13
129436-01780	3	7
129436-35070	9	19 -1
129436-35091	9	19
129486-01670	3	19
129486-12581	5	7
129486-42021	10	14
	18	15
129486-42140	10	16
	18	16
129486-59551	13	71
129489-21590	8	12
129508-33010	9	21
129508-33050	9	22
129508-44501	10	41
129508-44550	10	42
129508-49030	9	30
129508-49040	9	34
129550-13110	6	2
	18	9
129550-59120	13	46
129558-21660	8	8
129601-11241	4	1
129601-11251	4	2
129601-11310	4	44
	18	3
129601-11350	4	36
129601-13109	6	1
129601-13500	6	8
129601-44560	10	48
129601-44600	10	44
129601-59810	13	51
129601-59820	13	55
129601-59830	13	59
129601-59840	13	63
129602-12101	5	3
129602-49010	10	50
129604-11700	4	13
129604-21000	8	1
129604-53300	13	12
129604-77821	4	54
129612-01600	3	2
129612-12650	5	18
129612-42390	10	24
129612-49040	10	51
129612-52100	14	14
129630-59010	14	4
129631-75020	17	1
129631-77310	16	26
129631-77311	16	26 -1

Parts No.	Fig. No.	Ref. No.
129632-42000	10	1
129648-01600	3	16
129648-01780	3	18
129655-44740	10	25
129657-51590	11	70
129657-51600	11	71
129795-01950	2	8
129795-02412	1	12
129795-11120	4	21
129795-11180	4	22
129795-21661	8	9
129795-49551	10	30
	18	18
129900-07900	4	50
129900-12530	5	14
129900-77400	15	3
129900-77440	15	6
129900-77450	15	7
		11
129900-77460	15	9
129900-77480	15	10
129900-77640	15	19
129910-12502	5	10
129916-49740	10	11
129927-44900	10	35
129927-51650	11	4
129927-51660	11	5
129927-51670	11	8
129927-75900	17	19
129927-77600	17	11
		20
129927-77680	17	12
		21
129927-77910	16	30
129927-77920	16	31
129930-13201	6	7
		11
	18	10
129930-77200	16	1
129932-12520	5	12
129956-59010	14	8
129957-59101	14	10
129961-59110	14	6
129972-77341	16	27
158552-51151	11	22
158552-51571	11	66
		67
158552-51580	11	69
158552-51600	11	79
158552-51670	11	9

Parts No.	Fig. No.	Ref. No.
158552-51781	11	107
158552-52100	11	131
158552-52311	11	116
158552-52400	11	117
158552-52500	11	132
158553-51670	11	74
158553-51680	11	86
158553-51770	11	113
158553-51930	11	110
	12	2
158553-61050	12	3
158553-61780	12	24
158557-51570	11	68
158557-61720	12	23
158563-51281	11	45
		46
158563-51330	11	56
158600-51270	11	44
158601-51550	11	64
158601-51650	11	7
158601-51770	11	106
158601-51790	11	108
171008-03990	9	31
		35
171008-77450	15	8
171008-77510	15	13
171008-77540	15	15
171008-77650	15	20
171008-77660	15	24
171008-77670	15	25
171008-77750	15	31
171051-01921	1	8
171056-49120	10	33
171353-44760	10	26
198461-52950	16	29
22190-080002	2	11
	9	45
		47
	18	23
22190-100002	9	48
	18	24
22190-120002	10	37
	11	111
		118
		134
	12	25
	18	25
22190-180002	11	112
22190-220002	3	10
	18	26

Parts No.	Fig. No.	Ref. No.
22217-050000	11	135
22217-140000	11	119
22252-000260	8	24
22312-050140	11	120
22351-030010	8	7
22351-050010	11	121
22351-060012	4	31
22512-070140	7	7
	8	5
22857-500100	4	45
		46
22877-500080	17	14
		23
23010-038000	10	52
23010-044000	10	53
23080-015000	9	33
		38
23414-080000	10	18
	18	27
23857-030000	9	46
23875-020000	10	12
23876-010000	10	13
24311-000070	11	123
24311-000120	4	48
	18	28
24311-000160	14	22
24311-000320	2	12
	4	49
	18	29
24321-000750	14	23
24341-000240	2	20
	18	30
24341-000480	12	26
24356-190180	11	124
24356-190200	11	77
		125
24372-000150	11	78
26014-060122	10	47
26106-060102	11	126
26106-060142	11	136
26106-060162	2	21
	12	27
26106-060202	12	28
26106-060322	15	29
26106-060402	10	27
	15	30
26106-080122	10	19
26106-080142	7	8
26106-080162	2	13
		14



## Parts No. Index

Parts No.	Fig. No.	Ref. No.
26106-080162	3	11
	4	51
	10	20
	11	141
26106-080202	5	5
		9
	9	40
26106-080222	10	32
26106-080252	3	12
	4	32
	6	9
	12	29
26106-080302	2	15
	14	3
26106-080352	3	20
	4	33
	9	20
26106-080402	7	13
26106-080452	3	13
	10	21
	16	28
26106-080502	3	14
	4	34
26106-080552	2	16
	9	20
	10	22
26106-080602	10	22
26106-080802	5	6
26106-080852	2	17
26116-120252	15	32
26206-100252	3	4
26206-100302	3	5
26226-080182	4	11
26306-080002	2	18
	6	6
		10
26306-100002	16	24
26366-060002	9	49
26450-060252	9	15
26450-080452	11	128
26716-050002	11	137
26776-140002	11	129
27241-120000	1	13
27241-160000	11	138
27241-300000	1	14
27241-400000	4	18
27310-080001	4	25
720445-44200	10	38
729402-14580	7	3
729402-23100	8	25
729602-01560	1	1

Parts No.	Fig. No.	Ref. No.
729602-92730	18	1
729604-53400	13	1
729630-01500	2	1
729632-51550	11	1
977770-1207F	18	32
X2114255110	15	5
X2114555500	15	21
X2114955020	15	22
X2130350900	15	4
X2240410100	15	23
XL125G1200	16	2
XL125G1300	16	3
XL125G1301	16	4
XL125G1315	16	5
XL125G1330	16	6
XL125G1400	16	13
XL125G1500	16	17
XL15073251	16	7
XL1807320	16	10
XL240G5100	16	18

Parts No.	Fig. No.	Ref. No.
-----------	----------	----------

Parts No.	Fig. No.	Ref. No.
-----------	----------	----------