

0CD11-M00101EN

# P R E F A C E

1. This parts catalog is the 2nd edition of 4TNV88-ZKAS for AICHI CORPORATION.

Pub.No. : 0CD11-G00101  
Published : February, 2010

2. Model name

Engine model	Vehicle		Vehicle made by
	Products	Model name	
4TNV88-ZKAS	Mobile Elevating Work Platform	SP10CSN SP12CSN SP12C/SP400C SP14CJ/SP460CJ SR12C/SR400C SR14CJ/SR460CJ	AICHI CORPORATION

## Directions for the Parts Catalog.

1. The parts stipulated in this Parts Catalog are not necessarily standard equipped parts.
2. Parts may change without prior notice.
3. The following is an example of the Parts Catalog format.

OCF10-G21601		29. FUEL INJECTION PUMP(W/BOOST)									
REF.	LEV.	PARTS NO.	DESCRIPTION	(A)	(B)	(C)	(D)	(E)	(F)	I	R
1	1	729595-51390	FUEL INJECTION PUMP	1	1	1	1	1			1
1-1	1	729595-51391	FUEL INJECTION PUMP	1	1	1	1	1		N	1
		(A=E00185) (B=E00200)									
3	2	26022-060162	SCREW M 6X 16	9	9	9	9	9			
3-1	2	26022-060162	SCREW M 6X 16	4	4	4	4	4		K	
		(A=E00156) (B=E00156) (C=E00156) (D=E00156) (E=E00156)									
4	2	129470-51040	CAMSHAFT	1	1	1	1	1			
5	2	122710-51050	BEARING, ROLLER	2	2	2	2	2			
6	2	129470-51060	RETAINER	1	1	1	1	1			

Remarks
(1) BOOST COMPEMSATOR TYPE. OPTIONAL PART, TO E00155,(4JH-DT, 4JH-DTZ

### ① Ref. No.

The Ref. No. listed may not be in accordance with the illustration Ref. No.

(Ex.) Illustration No.

List Ref No.

1 1 (Before change) → 1-1 (After change)

For interchangeable symbols N, R and K, illustrations for new parts may be abbreviated.

### ② Lev. (Level)

Level indication

The numbers below indicate the level of relativity towards the main part.

1 ---- Main parts (Assembly parts)

2 ---- Sub component included in " 1 ".

3 ---- Sub component included in " 2 ".

Note) Parts that are not for sale are partially illustrated but not listed.

### ③ Interchangeability Mark

When a part change takes place, one of the following interchangeability symbols is indicated beside the part.

Symbol	Interchangeability	Contents note
N	Old $\begin{matrix} \leftarrow \text{Yes} \\ \text{No} \rightarrow \end{matrix}$ New	New Part is interchangeable for Old Part but Old Part is not interchangeable for New Part.
Q	Old $\begin{matrix} \leftarrow \text{No} \\ \text{Yes} \rightarrow \end{matrix}$ New	New Part is not interchangeable for Old Part but Old Part is interchangeable for New Part.
R	Old $\begin{matrix} \leftarrow \text{Yes} \\ \text{Yes} \rightarrow \end{matrix}$ New	New/ Old Parts are both interchangeable.
S	Old $\begin{matrix} \leftarrow \text{No} \\ \text{No} \rightarrow \end{matrix}$ New	New/ Old Parts are both not interchangeable.
W		Part newly added.
Z		Part discontinued.
F		Not interchangeable by a single part but interchangeable together with related parts.
K		Changes only for used parts quantities.

### ④ Effective Machine No.

When a part changes, the effective Machine No. will be indicated in the (A)-(F) column.

Product Symbol	Product No.	Product Symbol	Product No.
C	Clutch No. Compressor No.	F	Machine No. (Agricultural Equip.)
D	Drive No.	M	Machine No.
E	Engine No.		

Note 1) A date may follow the symbol. (Ex.) 1996.01

Note 2) "XXXXX" and "ZZZZZ" are for parts that could not be predicted or for engine models that could not be identified.

Note 3) (A=E00185) is the E (Engine Serial Number) for the column (A) model (in this case 4JH-DT) after the parts design change.

### ⑤ Remarks Mark

Figures or alphabets (symbols) are entered in the remarks column.

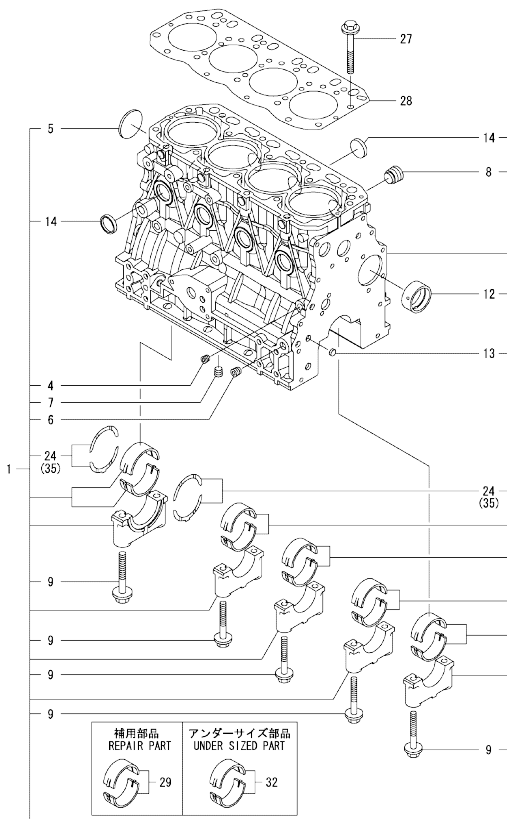
The comments (remarks) on parts that are indicated at the bottom of the illustration are the same symbols as those stated above.

## Contents

OCD11-M00101

Fig. No.	Fig. Name	Fig. No.	Fig. Name
4TNV88-ZKAS			
1.	CYLINDER BLOCK		
2.	GEAR HOUSING		
3.	FLYWHEEL HOUSING & OIL SUMP		
4.	CYLINDER HEAD & BONNET		
5.	SUCTION MANIFOLD & AIR CLEANER		
6.	EXHAUST MANIFOLD & SILENCER		
7.	CAMSHAFT & DRIVING GEAR		
8.	CRANKSHAFT & PISTON		
9.	LUB.OIL SYSTEM		
10.	COOLING WATER SYSTEM		
11.	FUEL INJECTION PUMP		
12.	GOVERNOR		
13.	FUEL INJECTION VALVE		
14.	FUEL LINE		
15.	STARTING MOTOR		
16.	GENERATOR		
17.	ELECTRIC PARTS		
18.	GASKET SET		

Fig.1. CYLINDER BLOCK



(A)=4TNV88-ZKAS  
(B)=  
(C)=

(D)=  
(E)=  
(F)=

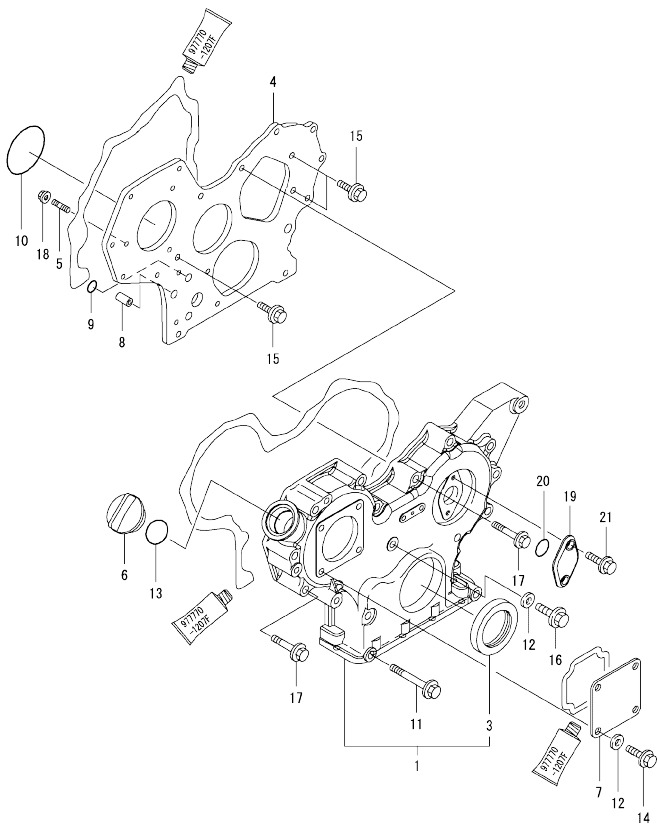
No.	Lev.	Parts No.	Description	Q'ty						I	R
				(A)	(B)	(C)	(D)	(E)	(F)		
1	1	729602-01560	BLOCK ASSY, CYLINDER	1							
4	2	124060-01050	PLUG, PT1/8	1							
5	2	129001-01250	PLUG, 50	1							
6	2	124160-01910	PLUG, PT1/4	2							
7	2	124160-01910	PLUG, PT1/4	1							
8	2	171051-01921	PLUG, NPTF1	1							
9	2	129150-02020	BOLT, METAL CAP	10							
12	2	129795-02412	BUSH, CAMSHAFT	1							
13	2	27241-120000	PLUG, 12	2							
14	2	27241-300000	PLUG 30	8							
24	2	129150-02931	BEARING, THRUST	2							
27	1	129150-01200	BOLT, HEAD	18							
28	1	129407-01340	GASKET, HEAD	1							
29	1	129001-02931	BEARING, MAIN	5							1
32	1	129150-02871	BEARING, 0.25 US	5							2
35	1	129150-02941	BEARING, THRUST 0.25	1							3

Remarks

- (1)Repair part.
- (2)Under sized(U.S.=0.25)part.
- (3)Over sized(O.S.=0.25)part.

OCD11-M00101 4TNV88-ZKAS  
 Fig.2. GEAR HOUSING

OCD11-M00101 Fig.2



(A)=4TNV88-ZKAS  
 (B)=  
 (C)=

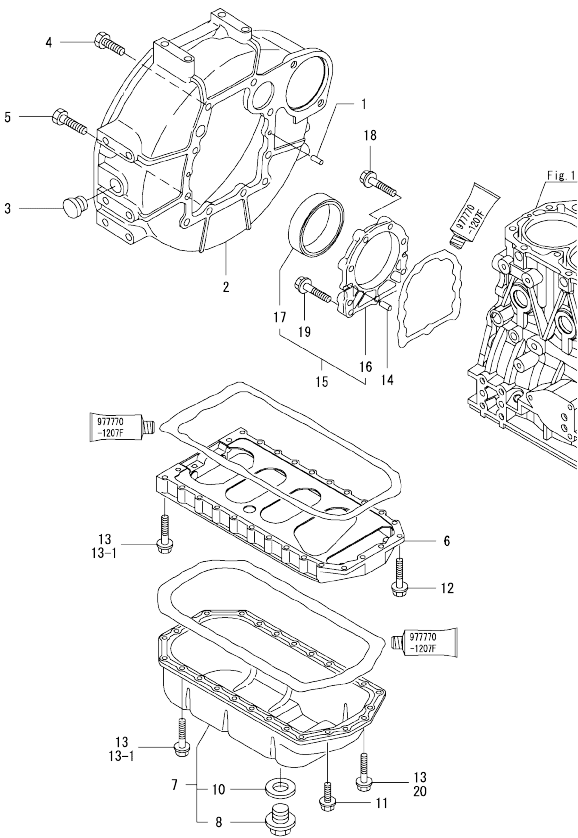
(D)=  
 (E)=  
 (F)=

No.	Lev.	Parts No.	Description	Q'ty						I	R
				(A)	(B)	(C)	(D)	(E)	(F)		
1	1	719803-01500	CASE ASSY, GEAR	1							
3	2	119934-01800	SEAL, OIL	1							
4	1	119803-01520	FLANGE, GEAR CASE	1							
5	1	119802-01561	STUD, M8X25	3							
6	1	124160-01751	COVER, FILLER	1							
7	1	124240-01871	COVER	1							
8	1	129795-01950	PIPE, KNOCK L=18	2							
9	1	119609-32040	O-RING, P16	2							
10	1	121850-51960	O-RING	1							
11	1	129001-91841	BOLT, M8X85	3							
11-1	1	26106-080852	BOLT, M8X 85 PLATED	3							R
(A=2008.11)											
12	1	22190-080002	WASHER, SEAL 6	5							
13	1	24311-000320	O-RING, 1AP32.0	1							
14	1	26106-080162	BOLT, M8X 16 PLATED	4							
15	1	26106-080162	BOLT, M8X 16 PLATED	3							
16	1	26106-080302	BOLT, M8X 30 PLATED	1							
17	1	26106-080552	BOLT, M8X 55 PLATED	12							
18	1	26306-080002	NUT, M8	3							
19	1	121023-01551	COVER	1							
20	1	24341-000240	O-RING, 1AS24.0	1							
21	1	26106-060162	BOLT, M6X 16 PLATED	2							

Fig.3. FLYWHEEL HOUSING & OIL SUMP

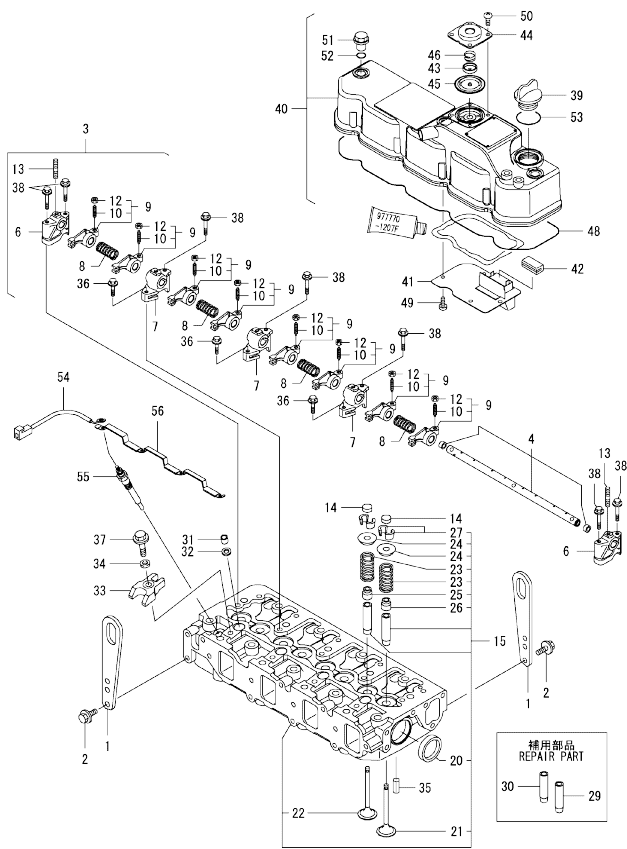
(A)=4TNV88-ZKAS  
(B)=  
(C)=

(D)=  
(E)=  
(F)=



No.	Lev.	Parts No.	Description	Q'ty						I	R
				(A)	(B)	(C)	(D)	(E)	(F)		
1	1	129100-01580	PIN, M8X16	2							
2	1	129612-01600	HOUSING, FLYWHEEL	1							
3	1	119620-01750	CAP	1							
4	1	26206-100252	BOLT, M10X 25 PLATED	6							
5	1	26206-100302	BOLT, M10X 30 PLATED	4							
6	1	129400-01730	SPACER, OIL SUMP	1							
7	1	129436-01780	SUMP ASSY, OIL	1							
8	2	119640-01640	PLUG, DRAIN M22	1							
10	2	22190-220002	WASHER, SEAL 22	1							
11	1	26106-080162	BOLT, M8X 16 PLATED	4							
12	1	26106-080252	BOLT, M8X 25 PLATED	2							
13	1	26106-080452	BOLT, M8X 45 PLATED	24							
13-1	1	26106-080452	BOLT, M8X 45 PLATED	20							K
(A=FROM 1ST)											
14	1	129100-01580	PIN, M8X16	2							
15	1	129648-01600	CASE ASSY, OIL SEAL	1							
16	2	129150-01650	CASE, OIL SEAL	1							
17	2	129648-01780	SEAL, OIL	1							
18	1	129486-01670	BOLT, M8X30	6							
19	1	26106-080352	BOLT, M8X 35 PLATED	3							
20	1	26106-080502	BOLT, M8X 50 PLATED	4							W
(A=FROM 1ST)											

Fig.4. CYLINDER HEAD & BONNET



(A)=4TNV88-ZKAS  
(B)=  
(C)=

(D)=  
(E)=  
(F)=

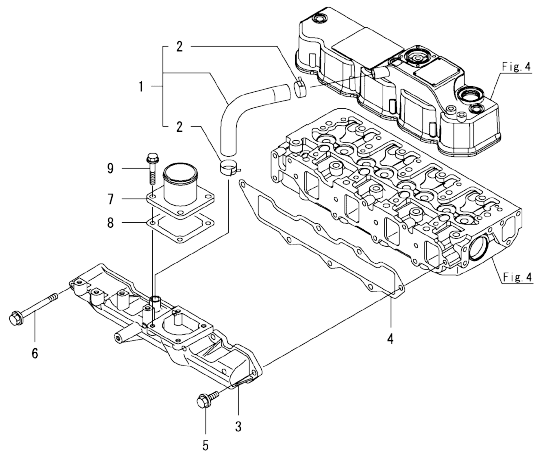
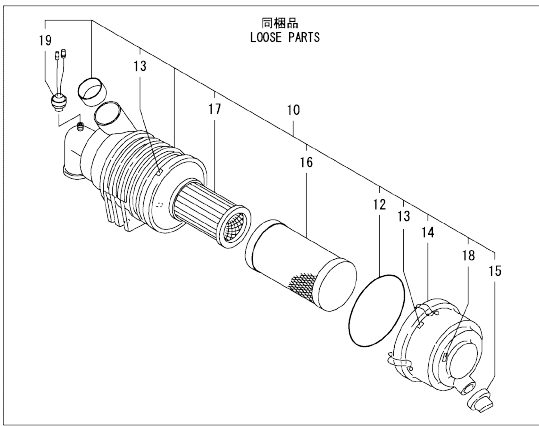
No.	Lev.	Parts No.	Description	Q'ty						I	R
				(A)	(B)	(C)	(D)	(E)	(F)		
1	1	129900-07900	LIFTER	2							
2	1	26106-080162	BOLT, M8X 16 PLATED	4							
3	1	129601-11241	SHAFT ASSY, ROCKER	1							
4	2	129601-11251	SHAFT, ROCKER ARM	1							
6	2	119802-11260	SUPPORT, ROCKER ARM	2							
7	2	119802-11270	SUPPORT, ROCKER ARM	3							
8	2	129150-11280	SPRING	4							
9	2	129004-11650	ARM, ROCKER	8							
10	3	129150-11230	SCREW, VALVE ADJUST	8							
12	3	129150-11750	NUT, M8	8							
13	2	26226-080182	STUD, M8X 18	3							
14	1	129150-11370	CAP, VALVE	8							
15	1	129604-11700	HEAD ASSY, CYLINDER	1							
20	2	27241-400000	PLUG, 40	2							
21	2	129005-11100	VALVE, INTAKE	4							
22	2	129100-11112	VALVE, EXHAUST	4							
23	2	129795-11120	SPRING, VALVE	8							
24	2	129795-11180	RETAINER, SPRING	8							
25	2	121400-11340	SEAL, VALVE STEM	4							
26	2	124460-11340	SEAL, VALVE STEM	4							
27	2	27310-080001	COTTER, 8	8							
29	1	120130-11860	GUIDE, VALVE	4							1
30	1	129150-11810	GUIDE, VALVE	4							1
31	1	119802-11870	PROTECTOR, NOZZLE	4							
32	1	119625-11880	SEAT, NOZZLE	4							
33	1	129004-11900	RETAINER, NOZZLE	4							
34	1	120270-54410	WASHER, INJECTOR	4							
35	1	22351-060012	PIN, SPRING 6.0X12	2							
36	1	26106-080252	BOLT, M8X 25 PLATED	3							
37	1	26106-080352	BOLT, M8X 35 PLATED	4							
38	1	26106-080502	BOLT, M8X 50 PLATED	7							
39	1	124160-01751	COVER, FILLER	1							
40	1	129601-11350	BONNET ASSY, HEAD	1							
41	2	129004-03010	PLATE	1							
42	2	129150-03070	BAFFLE, BREATHER	1							
43	2	119802-03110	PLATE	1							
44	2	119802-03121	COVER, DIAPHRAGM	1							
45	2	119802-03130	DIAPHRAGM	1							
46	2	119802-03141	SPRING, DIAPHRAGM	1							
48	2	129601-11310	GASKET, BONNET	1							
49	2	22857-500100	SCREW, 5X10	4							
50	2	22857-500100	SCREW, 5X10	4							
51	1	124160-11360	KNOB	3							
52	1	24311-000120	O-RING, 1AP12.0	3							
53	1	24311-000320	O-RING, 1AP32.0	1							
54	1	119803-77830	HARNES, WIRE	1							
55	1	129008-77800	PLUG, GLOW	4							
56	1	129604-77821	CONNECTOR, GLOW PLUG	1							

Remarks  
(1)Repair part.

N:Old  $\frac{100}{100}$  New, Q:Old  $\frac{100}{100}$  New, R:Old  $\frac{100}{100}$  New, S:Old  $\frac{100}{100}$  New, W:Add, Z:Discontinued, F:Interchangeable by set, K:Q'ty Change  
Copyright (C) YANMAR GLOBAL CS CO., LTD. All Rights Reserved.



Fig.5. SUCTION MANIFOLD & AIR CLEANER

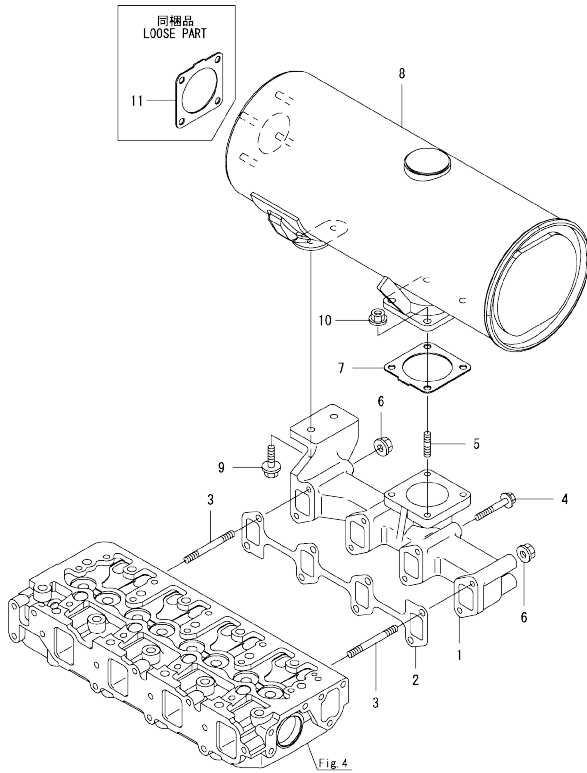


(A)=4TNV88-ZKAS  
(B)=  
(C)=

(D)=  
(E)=  
(F)=

No.	Lev.	Parts No.	Description	Q'ty						I	R
				(A)	(B)	(C)	(D)	(E)	(F)		
1	1	129005-03080	PIPE , BREATHER	1							
2	2	129410-03990	CLAMP 22	2							
3	1	129602-12100	MANIFOLD, AIR INTAKE	1							
4	1	129407-12110	GASKET, MANIFOLD	1							
5	1	26106-080202	BOLT, M8X 20 PLATED	6							
6	1	26106-080802	BOLT, M8X 80 PLATED	1							
7	1	129486-12581	JOINT, MANIFOLD	1							
8	1	129150-77511	GASKET	1							
9	1	26106-080202	BOLT, M8X 20 PLATED	4							
10	1	129910-12502	CLEANER ASSY, AIR	1							
12	2	129932-12520	O-RING	1							
13	2	129418-12530	MARK	2							
14	2	129900-12530	COVER ASSY	1							
15	2	119808-12540	VALVE, UNLOADER	1							
16	2	129062-12560	ELEMENT	1							
17	2	119005-12571	ELEMENT	1							
18	2	129612-12650	MARKING,(W)	1							
19	2	119140-12680	INDICATOR	1							

Fig.6. EXHAUST MANIFOLD & SILENCER

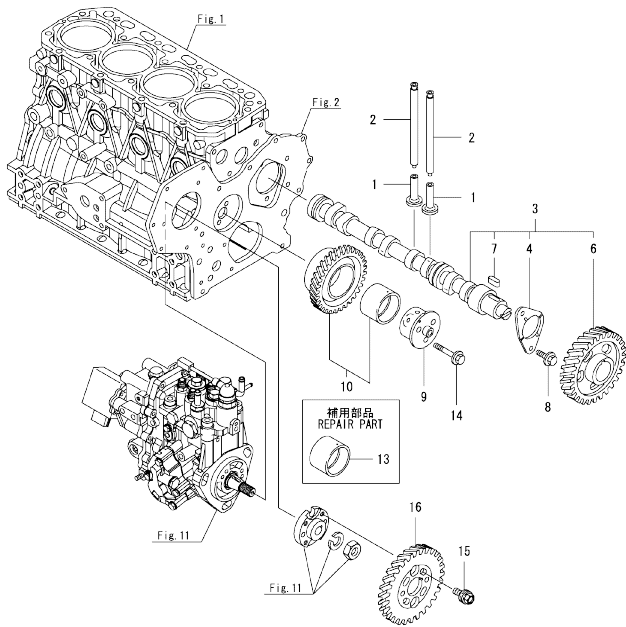


(A)=4TNV88-ZKAS  
(B)=  
(C)=

(D)=  
(E)=  
(F)=

No.	Lev.	Parts No.	Description	Q'ty						I	R
				(A)	(B)	(C)	(D)	(E)	(F)		
1	1	129601-13109	MANIFOLD, EXHAUST	1							
2	1	129550-13110	GASKET	1							
3	1	123900-13610	STUD, M8X80	2							
4	1	123900-13630	BOLT, M8X80	6							
5	1	119131-18320	STUD, M8X22	4							
6	1	26306-080002	NUT, M8	2							
7	1	129930-13201	GASKET, SILENCER	1							
8	1	129601-13500	SILENCER	1							
9	1	26106-080252	BOLT, M8X 25 PLATED	2							
10	1	26306-080002	NUT, M8	4							
11	1	129930-13201	GASKET, SILENCER	1							

Fig.7. CAMSHAFT & DRIVING GEAR



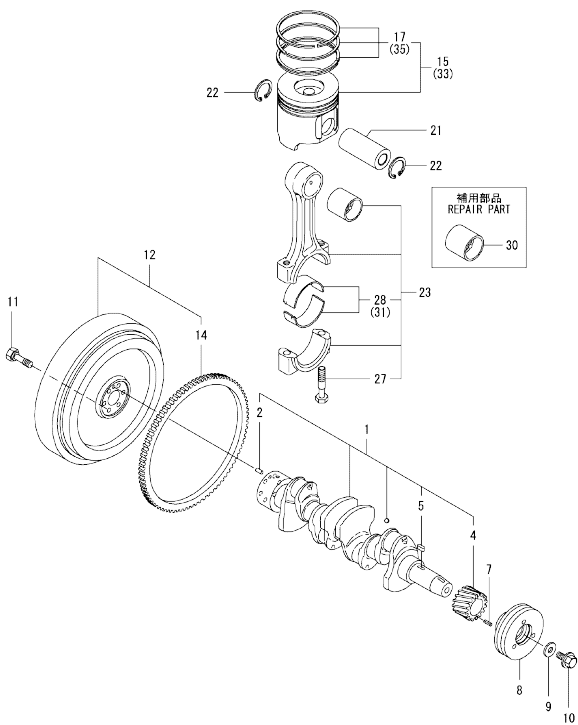
(A)=4TNV88-ZKAS  
(B)=  
(C)=

(D)=  
(E)=  
(F)=

No.	Lev.	Parts No.	Description	Q'ty						I	R
				(A)	(B)	(C)	(D)	(E)	(F)		
1	1	129150-14200	TAPPET	8							
2	1	129150-14400	ROD, PUSH L=178	8							
3	1	729402-14580	CAMSHAFT ASSY	1							
4	2	129150-02450	BEARING, THRUST	1							
6	2	129150-14101	GEAR, CAMSHAFT	1							
7	2	22512-070140	KEY, 7X 14	1							
8	1	26106-080142	BOLT, M8X 14 PLATED	2							
9	1	119803-25050	SHAFT, IDLE	1							
10	1	119802-25101	GEAR ASSY, IDLE	1							
13	1	119802-25071	BUSH, IDLE GEAR	1							1
14	1	26106-080402	BOLT, M8X 40 PLATED	3							
15	1	129150-25301	BOLT	4							
16	1	119802-25901	GEAR, PUMP	1							

Remarks  
(1)Repair part.

Fig.8. CRANKSHAFT & PISTON



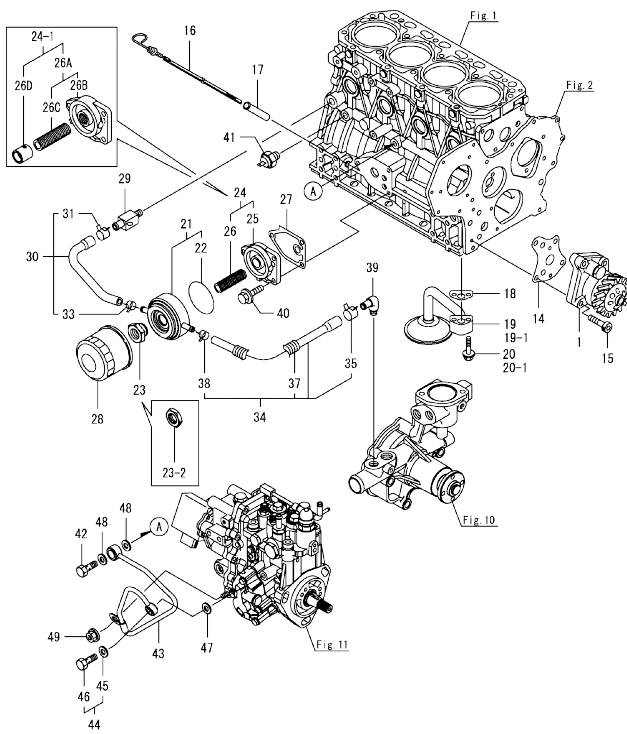
(A)=4TNV88-ZKAS  
(B)=  
(C)=

(D)=  
(E)=  
(F)=

No.	Lev.	Parts No.	Description	Q'ty						I	R
				(A)	(B)	(C)	(D)	(E)	(F)		
1	1	129604-21000	CRANKSHAFT ASSY	1							
2	2	129100-01580	PIN, M8X16	1							
4	2	119803-21200	GEAR, CRANKSHAFT	1							
5	2	22512-070140	KEY, 7X 14	1							
7	1	22351-030010	PIN, SPRING 3.0X10	1							
8	1	119802-21660	V-PULLEY, 120	1							
9	1	129795-21661	WASHER	1							
10	1	121850-21680	BOLT	1							
11	1	121111-21501	BOLT, FLYWHEEL	6							
12	1	129489-21590	FLYWHEEL ASSY	1							
14	2	119865-21600	GEAR, RING	1							
15	1	129005-22080	PISTON ASSY	4							
17	2	129005-22500	RING SET, PISTON	4							
21	1	129202-22300	PIN, PISTON D26 L70	4							
22	1	22252-000260	RING, 26	8							
23	1	729402-23100	ROD ASSY, CONNECTING	4							
27	2	121550-23200	BOLT, CONNECTING ROD	8							
28	2	129150-23601	BEARING, CRANK PIN	4							
30	1	129100-23910	BEARING, PISTON PIN	4							1
31	1	129150-23611	BEARING, 0.25 US	4							2
33	1	129005-22900	PISTON ASSY, 0.25 OS	4							3
35	2	129005-22950	RING SET, 0.25 OS	4							3

Remarks  
(1)Repair part.  
(2)Under sized(U.S.=0.25)part.  
(3)Over sized(O.S.=0.25)part.

Fig.9. LUB.OIL SYSTEM



Remarks

- (1)Repair part.
- (2)Interchangeable by simultaneous replacement with No.23-2, 24-1.

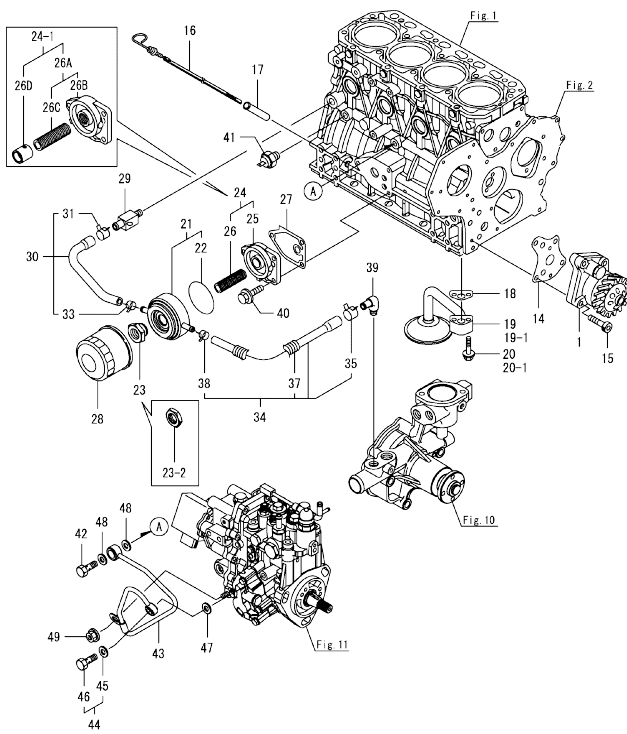
(A)=4TNV88-ZKAS  
(B)=  
(C)=

(D)=  
(E)=  
(F)=

No.	Lev.	Parts No.	Description	Q'ty						I	R
				(A)	(B)	(C)	(D)	(E)	(F)		
1	1	129407-32000	PUMP ASSY, OIL	1							
14	1	129150-32020	GASKET, PUMP	1							
15	1	26450-060252	BOLT, M6X 25	4							
16	1	129004-34802	DIPSTICK, OIL	1							
17	1	121520-34810	GUIDE, DIPSTICK	1							
18	1	129150-35042	GASKET, INLET PIPE	1							
19	1	129436-35091	PIPE ASSY, OIL INLET	1							
19-1	1	129436-35070 (A=EZZZZZ)	PIPE ASSY, OIL INLET	1							S
20	1	26106-080352	BOLT, M8X 35 PLATED	2							
20-1	1	26106-080552 (A=EZZZZZ)	BOLT, M8X 55 PLATED	2							S
21	1	129508-33010	COOLER ASSY, OIL	1							
21-1	1	129508-33031 (A=E166136)	COOLER ASSY, OIL	1							R
22	2	129508-33050	O-RING	1							
22-1	2	129508-33060 (A=E166136)	GASKET, COOLER	1							R
23	1	129417-33110	NUT, OIL COOLER	1							
23-1	1	129417-33111 (A=EK6780)	NUT, OIL COOLER	1							R
23-2	1	124085-35350 (A=E166136)	NUT, M20	1							F 2
24	1	129006-35100	BRACKET ASSY, FILTER	1							
24-1	1	129508-35100 (A=E166136)	BRACKET ASSY, LO FILT	1							F 2
25	2	119802-35110 (A=E166136)	BRACKET, FILTER	1							Z
26	2	129417-35150 (A=E166136)	STUD, M20X67	1							Z
26A	2	129006-35100 (A=E166136)	BRACKET ASSY, FILTER	1							W
26B	3	119802-35110 (A=E166136)	BRACKET, FILTER	1							W
26C	3	129417-35150 (A=E166136)	STUD, M20X67	1							W
26D	2	129508-35150 (A=E166136)	COLLAR, OIL-COOLER	1							W
27	1	129150-35111	GASKET, BRACKET	1							
28	1	129150-35153	FILTER ASSY, D80X80L	1							1
29	1	129006-44480	JOINT, R02	1							
30	1	129508-49030	HOSE ASSY, COOLER IN	1							
31	2	171008-03990	CLAMP, HOSE 18.5	1							
33	2	23080-015000	CLAMP, 15	1							
34	1	129508-49040	HOSE ASSY, COOLER OUT	1							
35	2	171008-03990	CLAMP, HOSE 18.5	1							
37	2	119940-59130	TUBE, CORRUGATED 19	1							
38	2	23080-015000	CLAMP, 15	1							
39	1	129103-49301	ELBOW, PT1/4	1							
40	1	26106-080202	BOLT, M8X 20 PLATED	3							
41	1	119761-39450	SWITCH, HYDRAULIC	1							

N:Old  $\frac{100}{100}$  New, Q:Old  $\frac{100}{100}$  New, R:Old  $\frac{100}{100}$  New, S:Old  $\frac{100}{100}$  New, W:Add, Z:Discontinued, F:Interchangeable by set, K:Qty Change  
 ++ CONTINUE ++  
 Copyright (C) YANMAR GLOBAL CS CO., LTD. All Rights Reserved.

Fig.9. LUB.OIL SYSTEM



(A)=4TNV88-ZKAS  
(B)=  
(C)=

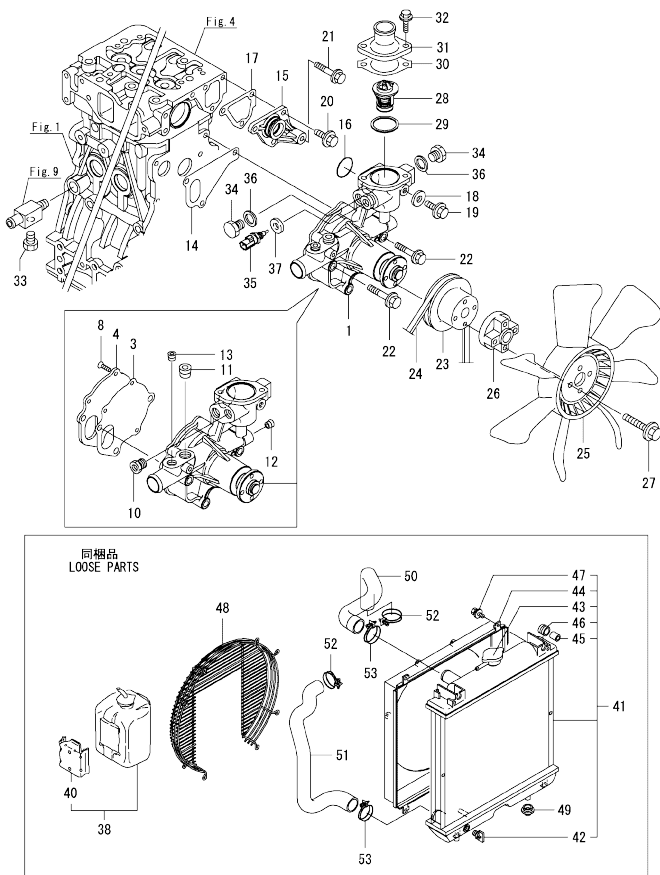
(D)=  
(E)=  
(F)=

No.	Lev.	Parts No.	Description	Q'ty						I	R
				(A)	(B)	(C)	(D)	(E)	(F)		
42	1	124160-39140	BOLT, PIPE JOINT M10	1							
43	1	119802-39450	PIPE ASSY, OIL	1							
44	1	129005-59830	BOLT ASSY, JOINT M8	1							
45	2	22190-080002	WASHER, SEAL 8	1							
46	2	23857-030000	BOLT, JOINT 3	1							
47	1	22190-080002	WASHER, SEAL 8	1							
48	1	22190-100002	WASHER, SEAL 10	2							
49	1	26366-060002	NUT, M6	1							

Remarks

- (1)Repair part.
- (2)Interchangeable by simultaneous replacement with No.23-2, 24-1.

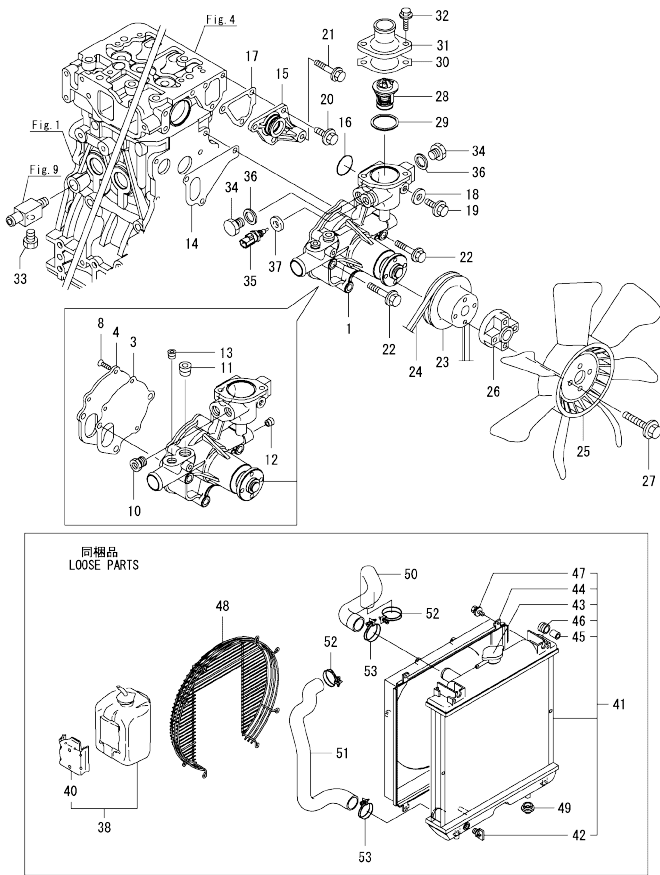
Fig.10. COOLING WATER SYSTEM



No.	Lev.	Parts No.	Description	Q'ty						I	R
				(A)	(B)	(C)	(D)	(E)	(F)		
1	1	129632-42000	PUMP ASSY, WATER	1							
3	2	129100-42051	GASKET, WATER PUMP	1							
4	2	129100-42121	PLATE	1							
8	2	121850-42410	SCREW	3							
10	2	129263-49350	JOINT	1							
11	2	129916-49740	PLUG, R03	1							
12	2	23876-010000	PLUG, R01	1							
13	2	23876-020000	PLUG, R02	1							
13-1	2	23875-020000	PLUG, R02	1							N
(A=2010.02)											
14	1	129486-42021	GASKET, WATER PUMP	1							
15	1	129004-42040	JOINT	1							
16	1	129486-42140	O-RING, G30	1							
17	1	124395-49840	GASKET	1							
18	1	23414-080000	GASKET, 8X1.0	1							
19	1	26106-080122	BOLT, M8X 12 PLATED	1							
20	1	26106-080162	BOLT, M8X 16 PLATED	3							
21	1	26106-080452	BOLT, M8X 45 PLATED	1							
22	1	26106-080602	BOLT, M8X 60 PLATED	3							
23	1	129550-42350	V-PULLEY, D=120	1							
23-1	1	129403-42380	V-PULLEY, D=110	1							N
(A=2008.11)											
24	1	129612-42360	V-BELT, A39	1							
24-1	1	129612-42380	V-BELT, A38.5	1							N
(A=2008.11)											
25	1	129655-44740	FAN, COOLING D380	1							
26	1	171353-44760	SPACER, FAN	1							
27	1	26106-060402	BOLT, M6X 40 PLATED	4							
28	1	129155-49801	THERMOSTAT, 71	1							
29	1	129150-49811	GASKET, THERMOSTAT	1							
30	1	129795-49551	GASKET	1							
31	1	129350-49560	COVER, THERMOSTAT	1							
32	1	26106-080222	BOLT, M8X 22 PLATED	2							
33	1	171056-49120	PLUG, DRAIN	1							
34	1	121450-42450	PLUG, M16	2							
35	1	129927-44900	SENSOR	1							
36	1	124465-44950	GASKET, 16	2							
37	1	22190-120002	WASHER, SEAL 12	1							
38	1	720445-44200	TANK ASSY, SUB	1							
40	2	120445-44540	SUPPORT	1							
41	1	129508-44501	RADIATOR ASSY	1							
42	2	129508-44550	COCK ASSY	1							
43	2	129107-44590	CAP, RADIATOR	1							
44	2	129601-44600	SHROUD	1							
45	2	118400-44670	COLLAR	2							
46	2	118400-44720	MOUNT, RUBBER	2							
47	2	26014-060122	BOLT, M6X 12	4							
48	1	129601-44560	GUARD	1							
49	1	119255-44660	ABSORBER	2							
50	1	129602-49010	PIPE, WATER	1							
51	1	129612-49040	PIPE, WATER	1							

N:Old  $\frac{New}{Old}$  New, Q:Old  $\frac{New}{Old}$  New, R:Old  $\frac{New}{Old}$  New, S:Old  $\frac{New}{Old}$  New, W:Add, Z:Discontinued, F:Interchangeable by set, K:Q'ty Change  
 ++ CONTINUE ++  
 Copyright (C) YANMAR GLOBAL CS CO., LTD. All Rights Reserved.

Fig.10. COOLING WATER SYSTEM



(A)=4TNV88-ZKAS  
(B)=  
(C)=

(D)=  
(E)=  
(F)=

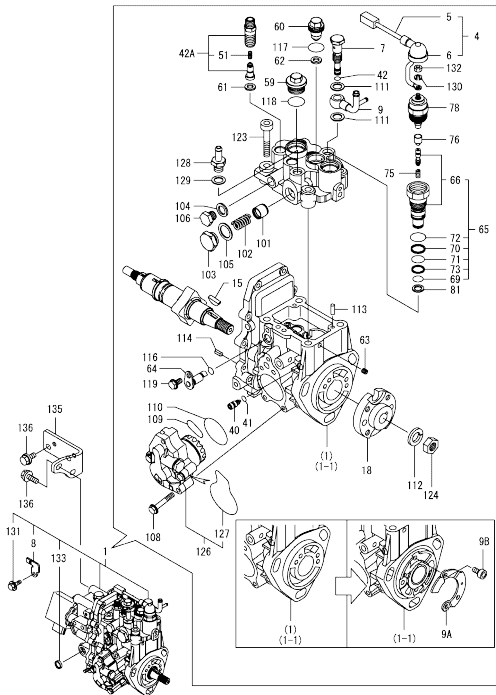
No.	Lev.	Parts No.	Description	Q'ty						
				(A)	(B)	(C)	(D)	(E)	(F)	
52	1	23010-038000	CLAMP, 38	2						
53	1	23010-044000	CLAMP, 44	2						



Fig.11. FUEL INJECTION PUMP

(A)=4TNV88-ZKAS  
(B)=  
(C)=

(D)=  
(E)=  
(F)=

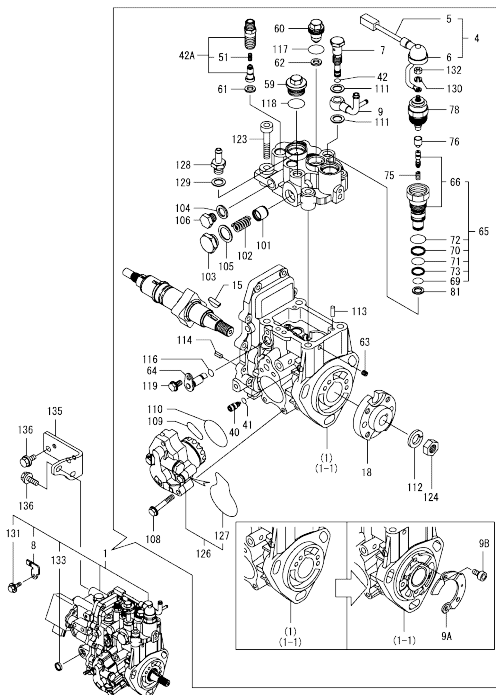


No.	Lev.	Parts No.	Description	Q'ty						I	R
				(A)	(B)	(C)	(D)	(E)	(F)		
1	1	729632-51380	PUMP ASSY, INJECTION	1							1
1-1	1	729632-51550 (A=E#C0999)	PUMP ASSY, INJECTION	1							S 2
4	2	129927-51650	HARNASS ASSY, WIRE	1							
5	3	129927-51660	HARNASS	1							
6	3	129263-77941	CAP, RUBBER	1							
7	2	158601-51650	JOINT, OVERFLOW	1							
8	2	129927-51670	BRACKET	1							
9	2	158552-51670	JOINT, OVERFLOW	1							
9A	2	129008-51900	COVER, PUMP	1							W
		(A=*2009.10)									
9B	2	129008-51920	BOLT, M6X10	2							W
		(A=*2009.10)									
15	2	119802-51090	KEY, FEATHER 4X16	1							
18	2	158552-51151	FLANGE, CAMSHAFT	1							
40	2	158600-51270	STOPPER, TAPPET	1							
41	2	158563-51281	O-RING, 4D S6	1							
42	2	158563-51281	O-RING, 4D S6	1							
42A	2	129008-51390	VALVE ASSY, DELIVERY	4							W
		(A=*2008.04.)									
51	3	158563-51330	SPRING, DELIVERY	4							
59	2	158601-51550	PLUG, M22	1							
60	2	119802-51560	PLUG, BARREL M14	1							
61	2	158552-51570	GASKET, BARREL PLUG	4							
61-1	2	158552-51571	GASKET, BARREL PLUG	4							R
		(A=*2008.05)									
62	2	158552-51570	GASKET, BARREL PLUG	1							
62-1	2	158552-51571	GASKET, BARREL PLUG	1							R
		(A=*2008.05)									
63	2	158557-51570	PLUG, RACK	1							
64	2	158552-51580	LIFTER, LINK	1							
65	2	129657-51590	TIMER ASSY	1							
66	3	129657-51600	TIMER ASSY	1							
69	3	158553-51670	O-RING, PUMP TIMER	1							
70	3	119802-51680	RING, BACKUP	1							
71	3	119802-51690	O-RING, 1016	1							
72	3	24356-010200	O-RING, 4D1020	1							
72-1	3	24356-190200	O-RING, 4D19020	1							R
		(A=*2009.12)									
73	3	24372-000150	RING, BACK UP T2P15	1							
75	2	119852-51630	SPRING, TIMER	1							
76	2	119852-51640	CAP, TIMER	1							
78	2	119852-51650	VALVE ASSY, SOLENOID	1							
81	2	158553-51680	GASKET, TIMER	1							
101	2	158601-51770	PISTON, ACCUMULATOR	1							
102	2	158552-51781	SPRING, ACCUMULATOR	1							
103	2	158601-51790	PLUG, ACCUMULATOR	1							
104	2	22190-120002	WASHER, SEAL 12	1							
105	2	22190-180002	WASHER, SEAL 18	1							
106	2	23887-120002	PLUG, 12	1							
106-1	2	158553-51930	PLUG, M12	1							R

Remarks

(1)Governor ASSY(Fig.12) is incorporated in this FOP CMP. (Ref.No.1).  
(2)Ref.No.1-1 & Fig.13 Ref.No.1-1 interchangeable by set.  
\* ECO pump  
Make sure to update the engines ECU information when replacing the ECO pump.  
Failing to do so will result in engines malfunction.

Fig.11. FUEL INJECTION PUMP



(A)=4TNV88-ZKAS  
(B)=  
(C)=

(D)=  
(E)=  
(F)=

No.	Lev.	Parts No.	Description	Q'ty						I	R
				(A)	(B)	(C)	(D)	(E)	(F)		
(A=2009.02)											
108	2	158553-51770	BOLT	4							
109	2	158552-52310	O-RING, FEED PUMP	1							
109-1	2	158552-52311	O-RING, FEED PUMP	1							R
(A=2009.09)											
110	2	158552-52400	O-RING, 4E S42	1							
111	2	22190-120002	WASHER, SEAL 12	2							
112	2	22217-140000	WASHER, SPRING 14	1							
113	2	22312-050140	PIN, PARALLEL 5X14	2							
114	2	22351-050010	PIN, SPRING 5.0X10	2							
116	2	24311-000070	O-RING, 1AP7.0	1							
117	2	24356-010180	O-RING, 4D1018	1							
117-1	2	24356-190180	O-RING, 4D19018	1							R
(A=2009.12)											
118	2	24356-010200	O-RING, 4D1020	1							
118-1	2	24356-190200	O-RING, 4D19020	1							R
(A=2009.12)											
119	2	26106-060102	BOLT, M6X 10 PLATED	1							
123	2	26450-080452	BOLT, M8X 45	4							
124	2	26776-140002	NUT, LOCK M14	1							
126	2	158552-52100	PUMP ASSY, FUEL FEED	1							
127	3	158552-52500	O-RING, PUMP INNER	1							
128	2	119934-59910	JOINT, PIPE	1							
129	2	22190-120002	WASHER, SEAL 12	1							
130	2	22217-050000	WASHER, SPRING 5	1							
131	2	26106-060142	BOLT, M6X 14 PLATED	1							
132	2	26716-050002	NUT, M5	1							
133	2	27241-160000	PLUG, 16	1							
135	1	129263-51251	RETAINER, FUEL PUMP	1							
136	1	26106-080162	BOLT, M8X 16 PLATED	4							

Remarks

(1)Governor ASSY(Fig.12) is incorporated in this FOP CMP. (Ref.No.1).

(2)Ref.No.1-1 & Fig.13 Ref.No.1-1 interchangeable by set.

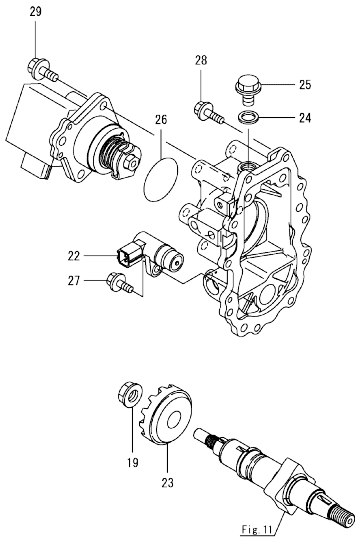
\* ECO pump

Make sure to update the engines ECU information when replacing the ECO pump.

Failing to do so wil result in engines malfunction.

OCD11-M00101 4TNV88-ZKAS  
 Fig.12. GOVERNOR

OCD11-M00101 Fig.12



(A)=4TNV88-ZKAS  
 (B)=  
 (C)=

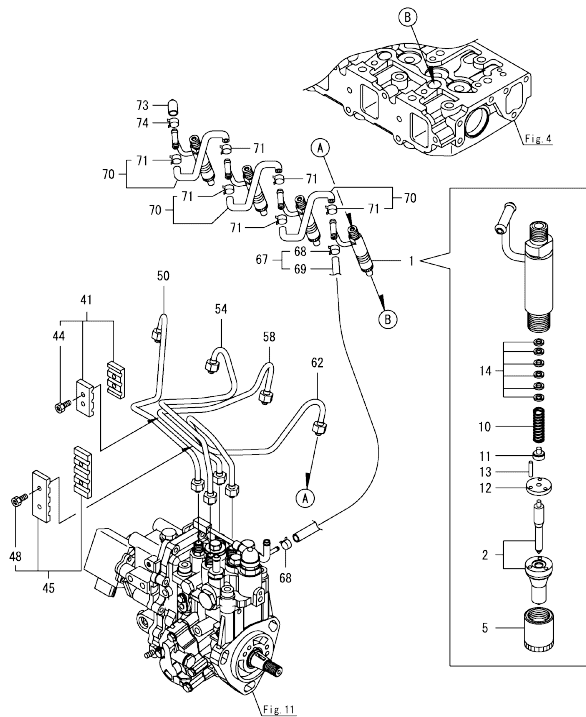
(D)=  
 (E)=  
 (F)=

No.	Lev.	Parts No.	Description	Q'ty						I	R
				(A)	(B)	(C)	(D)	(E)	(F)		
19	2	129008-61301	NUT, SUPPORT	1							
22	2	158557-61720	SENSOR, ROTATION	1							
23	2	158553-61780	GEAR, SENSOR	1							
24	2	23414-120000	GASKET, 12X1.0	1							
24-2	2	22190-120002	WASHER, SEAL 12	1							S
(A=2009.01)											
25	2	23887-120002	PLUG, 12	1							
25-1	2	158553-51930	PLUG, M12	1							R
(A=2009.02)											
26	2	24341-000480	O-RING, 1AS48.0	1							
27	2	26106-060162	BOLT, M6X 16 PLATED	1							
28	2	26106-060202	BOLT, M6X 20 PLATED	10							
29	2	26106-080252	BOLT, M8X 25 PLATED	3							

Remarks  
 \* This figure(governor ASSY) is incorporated in the fuel injection pump ASSY(Fig.11).

N:Old  $\frac{100}{100}$  New, Q:Old  $\frac{100}{100}$  New, R:Old  $\frac{100}{100}$  New, S:Old  $\frac{100}{100}$  New, W:Add, Z:Discontinued, F:Interchangeable by set, K:Q'ty Change  
 Copyright (C) YANMAR GLOBAL CS CO., LTD. All Rights Reserved.

Fig.13. FUEL INJECTION VALVE



(A)=4TNV88-ZKAS  
(B)=  
(C)=

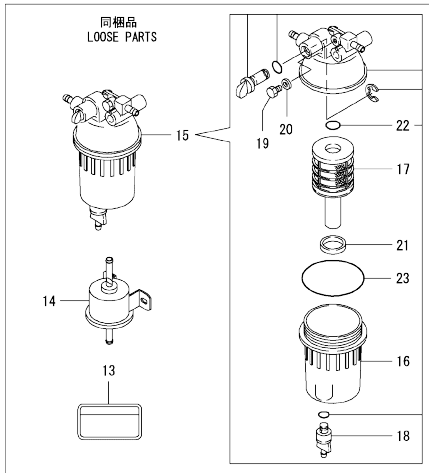
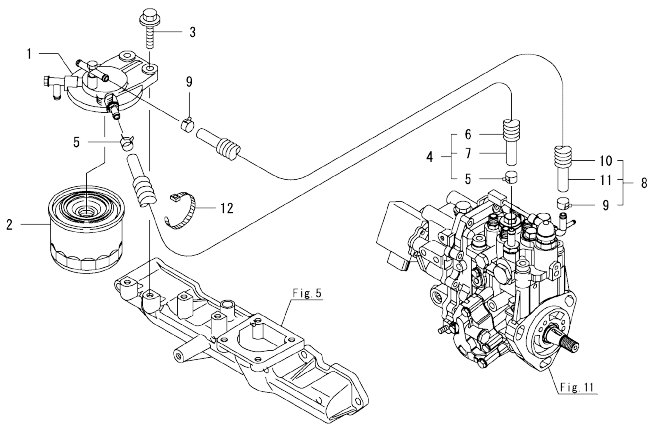
(D)=  
(E)=  
(F)=

No.	Lev.	Parts No.	Description	Q'ty						I	R
				(A)	(B)	(C)	(D)	(E)	(F)		
1	1	729604-53200	VALVE ASSY,INJECTION	4							
1-1	1	729604-53400 (A=E/#C0999)	VALVE ASSY,INJECTION	4						S	1
2	2	129604-53000	VALVE ASSY,INJECTION	4							
2-1	2	129604-53300 (A=E/#C0999)	VALVE ASSY,INJECTION	4						S	
5	2	114250-53080	NUT, NOZZLE D16.95	4							
10	2	114250-53120	SPRING, NOZZLE	4							
11	2	114250-53130	SEAT, SPRING	4							
12	2	114250-53140	PLATE	4							
13	2	114250-53210	PIN	8							
14	2	119803-53400	SHIM SET	4							
41	1	129150-59120	RETAINER, PIPE	1							
44	2	129150-59131	BOLT, M4X14	2							
45	1	129550-59120	RETAINER, PIPE	1							
48	2	129150-59131	BOLT, M4X14	2							
50	1	129601-59810	PIPE ASSY, INJECTION	1							
54	1	129601-59820	PIPE ASSY, INJECTION	1							
58	1	129601-59830	PIPE ASSY, INJECTION	1							
62	1	129601-59840	PIPE ASSY, INJECTION	1							
67	1	119802-59550	PIPE ASSY, RETURN	1							
68	2	124722-59050	CLIP, HOSE 9	2							
69	2	119802-59560	PIPE, FUEL RETURN	1							
70	1	129486-59551	PIPE ASSY, RETURN	3							
71	2	124722-59050	CLIP, HOSE 9	6							
73	1	119593-59581	CAP	1							
74	1	124060-77680	CLIP, HOSE 10	1							

Remarks  
(2)Ref.No.1-1 & Fig.11 Ref.No.1-1  
interchangeable by set.

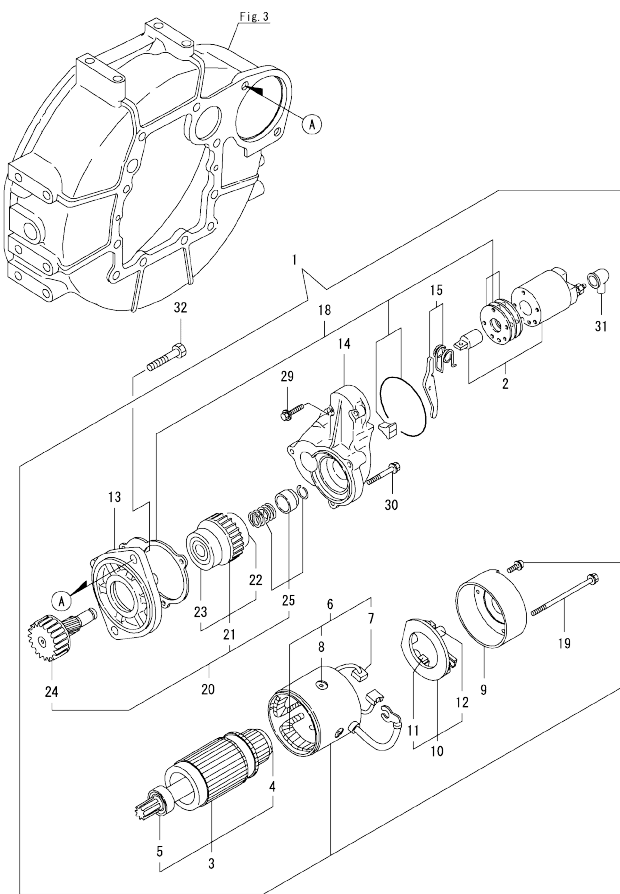
N:Old  $\frac{100}{100}$  New, Q:Old  $\frac{100}{100}$  New, R:Old  $\frac{100}{100}$  New, S:Old  $\frac{100}{100}$  New, W:Add, Z:Discontinued, F:Interchangeable by set, K:Q'ty Change  
Copyright (C) YANMAR GLOBAL CS CO., LTD. All Rights Reserved.

Fig.14. FUEL LINE



No.	Lev.	Parts No.	Description	Q'ty					
				(A)	(B)	(C)	(D)	(E)	(F)
1	1	129004-55612	BRACKET, FILTER	1					
2	1	119802-55801	FILTER, FUEL	1					
3	1	26106-080302	BOLT, M8X 30 PLATED	2					
4	1	129630-59010	PIPE ASSY, FUEL	1					
5	2	124766-59050	CLIP, HOSE 12	2					
6	2	129961-59110	TUBE, CORRUGATED	1					
7	2	105025-59560	PIPE, FUEL	1					
8	1	129956-59010	PIPE ASSY, FUEL	1					
9	2	124766-59050	CLIP, HOSE 12	2					
10	2	129957-59101	TUBE, CORRUGATED	1					
11	2	105225-59511	PIPE, FUEL	1					
12	1	121750-59890	BAND, 140	1					
13	1	114110-07760	LABEL, FUEL OIL NOTI	1					
14	1	129612-52100	PUMP ASSY, FUEL FEED	1					
15	1	129242-55700	SEPARATOR ASSY	1					
16	2	129242-55720	CUP	1					
17	2	129242-55730	ELEMENT	1					
18	2	129242-55740	PLUG, DRAIN	1					
19	2	129242-55750	VALVE, AIR VENT	1					
20	2	129242-55760	GASKET	1					
21	2	129242-55770	FLOAT	1					
22	2	24311-000160	O-RING, 1AP16.0	1					
23	2	24321-000750	O-RING, 1AG75.0	1					

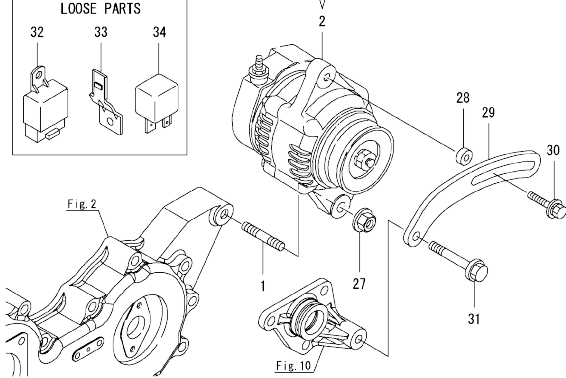
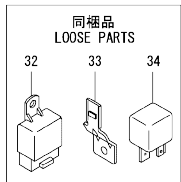
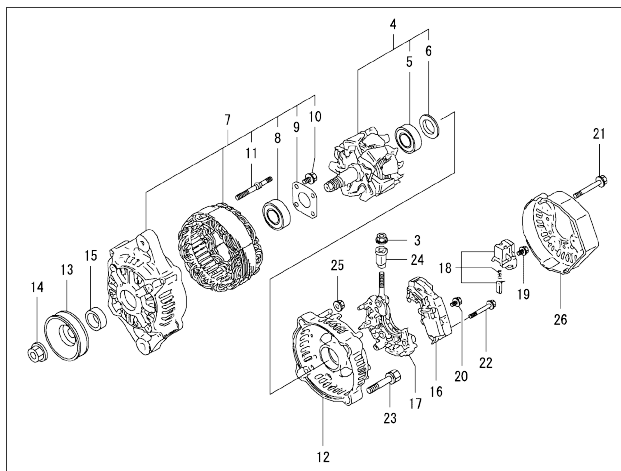
Fig.15. STARTING MOTOR



(A)=4TNV88-ZKAS  
(B)=  
(C)=

(D)=  
(E)=  
(F)=

No.	Lev.	Parts No.	Description	Q'ty						I	R
				(A)	(B)	(C)	(D)	(E)	(F)		
1	1	129136-77011	STARTER	1							
2	2	129136-77310	SWITCH ASSY	1							
3	2	129900-77400	ARMATURE ASSY	1							
4	3	X2130350900	BALL BEARING	1							
5	3	X2114255110	BEARING, BALL	1							
6	2	129900-77440	COIL ASSY, FIELD	1							
7	3	129900-77450	BRUSH (+)	2							
8	3	171008-77450	SCREW	4							
9	2	129900-77460	COVER, REAR	1							
10	2	129900-77480	HOLDER ASSY, BRASH	1							
11	3	129900-77450	BRUSH (+)	2							
12	3	129400-77490	SPRING, BRUSH	4							
13	2	171008-77510	HOUSING ASSY, GEAR	1							
14	2	129136-77520	CENTER HOUSING	1							
15	2	171008-77540	LEVER SET, SHIFT	1							
18	2	129400-77571	COVER KIT, DUST	1							
19	2	129900-77640	BOLT, THROUGH	2							
20	2	171008-77650	PINION ASSY	1							
21	3	X2114555500	CLUTCH ASSY	1							
22	4	X2114955020	BALL BEARING	1							
23	4	X2240410100	BEARING, BALL	1							
24	3	171008-77660	SHAFT, PINION	1							
25	3	171008-77670	STOPPER SET, PINION	1							
29	2	26106-060322	BOLT, M6X 32 PLATED	2							
30	2	26106-060402	BOLT, M6X 40 PLATED	3							
31	2	171008-77750	COVER, M TERMINAL	1							
32	1	26116-120252	BOLT, M12X 25 PLATED	2							

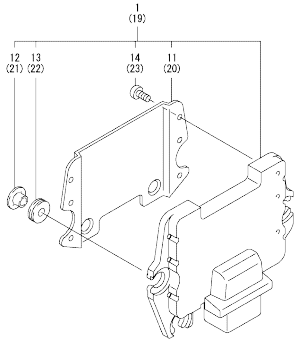


(A)=4TNV88-ZKAS  
 (B)=  
 (C)=

(D)=  
 (E)=  
 (F)=

No.	Lev.	Parts No.	Description	Qty						I	R	
				(A)	(B)	(C)	(D)	(E)	(F)			
1	1	129795-01900	BOLT, M10X30	1								
2	1	119626-77210	ALTERNATOR, 12V-55A	1								
3	2	X9490561001	NUT	1								
4	2	129052-77380	ROTOR ASSY	1								
5	3	123501-79240	BEARING, BALL	1								
6	3	119620-79250	COVER, BEARING	1								
7	2	129052-77422	FRAME ASSY	1								
8	3	119620-79200	BEARING, BALL	1								
9	3	119620-79210	PLATE, RETAINER	1								
10	3	119620-79220	SCREW	4								
11	3	119620-79230	STUD	2								
12	2	128401-77440	COVER, END	1								
13	2	119620-77461	PULLEY, GENERATOR	1								
14	2	119620-77471	NUT	1								
15	2	119620-77490	COLLAR	1								
16	2	119626-77710	REGULATOR ASSY	1								
17	2	129052-79260	HOLDER ASSY	1								
18	2	129052-79270	HOLDER ASSY, BRUSH	1								
19	2	119620-79290	SCREW	6								
20	2	119620-79300	SCREW	1								
21	2	119620-79310	BOLT	3								
22	2	119620-79320	SCREW, W/WASHER	2								
23	2	119620-79330	BOLT	2								
24	2	119620-79340	BUSH, INSULATION	1								
25	2	119620-79350	NUT	2								
26	2	119626-77450	COVER, END	1								
27	1	26306-100002	NUT, M10	1								
28	1	119940-77270	SPACER, GENERATOR	1								
29	1	119802-77330	ADJUSTER, BELT	1								
30	1	129972-77341	BOLT, ADJUSTER L=50	1								
31	1	26106-080452	BOLT, M8X 45 PLATED	1								
32	1	198461-52950	RELAY, CA TYPE C	2								
32-1	1	172B02-17150	RELAY, CA TYPE C	2								N
(A=ET8515)												
33	1	129927-77910	BRACKET, CONNECTOR	2								
34	1	129927-77920	RELAY, ISO 70A	2								

Fig.17. ELECTRIC PARTS



(A)=4TNV88-ZKAS  
(B)=  
(C)=

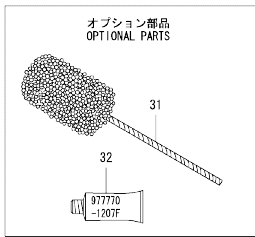
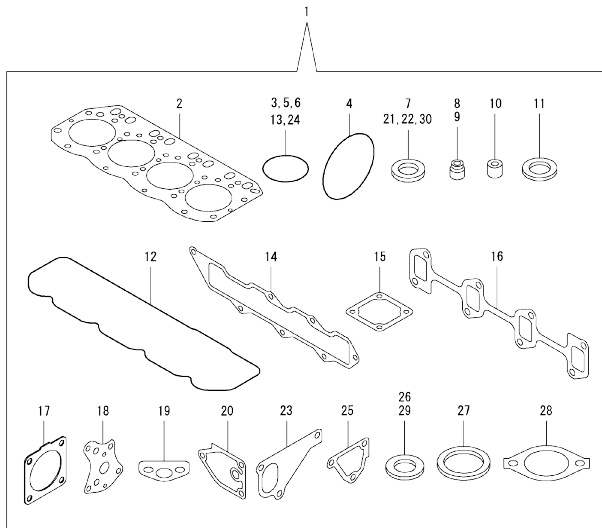
(D)=  
(E)=  
(F)=

No.	Lev.	Parts No.	Description	Q'ty						I	R	
				(A)	(B)	(C)	(D)	(E)	(F)			
1	1	129632-75010	CONTROLLER ASSY, EUC	1							1	
1-1	1	129632-75020	CONTROLLER ASSY, EUC	1							S	1
(A=E#C0999)												
11	3	129927-77600	SHIELD	1								
12	3	129927-77680	COLLAR	3								
13	3	119578-91351	ABSORBER	3								
14	3	22877-500080	SCREW, 5X 8	6								
19	1	129927-75900	CONTROLLER ASSY, EUC	1								2
20	2	129927-77600	SHIELD	1								
21	2	129927-77680	COLLAR	3								
22	2	119578-91351	ABSORBER	3								
23	2	22877-500080	SCREW, 5X 8	6								

Remarks  
(1)ECO ECU  
This part cannot be ordered.  
Replace the part using a service  
ECU with the proper engine  
information installed.  
(2)Service ECU  
If the proper information is not  
installed, the engine will not  
operate.  
To install proper information,  
go to an authorize distributor.



Fig.18. GASKET SET



Remarks  
(1)Optional part.

(A)=4TNV88-ZKAS  
(B)=  
(C)=

(D)=  
(E)=  
(F)=

No.	Lev.	Parts No.	Description	Q'ty						I	R
				(A)	(B)	(C)	(D)	(E)	(F)		
1	1	729602-92730	GASKET SET	1							1
2	2	129407-01340	GASKET, HEAD	1							
3	2	119609-32040	O-RING, P16	2							
4	2	121850-51960	O-RING	1							
5	2	24311-000320	O-RING, 1AP32.0	2							
6	2	24341-000240	O-RING, 1AS24.0	1							
7	2	22190-220002	WASHER, SEAL 22	1							
8	2	121400-11340	SEAL, VALVE STEM	4							
9	2	124460-11340	SEAL, VALVE STEM	4							
10	2	119802-11870	PROTECTOR, NOZZLE	4							
11	2	119625-11880	SEAT, NOZZLE	4							
12	2	129601-11310	GASKET, BONNET	1							
13	2	24311-000120	O-RING, 1AP12.0	3							
14	2	129407-12110	GASKET, MANIFOLD	1							
15	2	129150-77511	GASKET	1							
16	2	129550-13110	GASKET	1							
17	2	129930-13201	GASKET, SILENCER	2							
18	2	129150-32020	GASKET, PUMP	1							
19	2	129150-35042	GASKET	1							
20	2	129150-35111	GASKET	1							
21	2	22190-080002	WASHER, SEAL 6	2							
22	2	22190-100002	WASHER, SEAL 10	2							
23	2	129486-42021	GASKET, WATER PUMP	1							
24	2	129486-42140	O-RING, G30	1							
25	2	124395-49840	GASKET	1							
26	2	23414-080000	GASKET, 8X1.0	1							
27	2	129150-49811	GASKET, THERMOSTAT	1							
28	2	129795-49551	GASKET	1							
29	2	124465-44950	GASKET, 16	2							
30	2	22190-120002	WASHER, SEAL 12	1							
31	1	129400-92430	HONE	1							1
32	1	977770-1207F	GASKET,LIQUID	1							1

## Parts No. Index

Parts No.	Fig. No.	Ref. No.
105025-59560	14	7
105225-59511	14	11
114110-07760	14	13
114250-53080	13	5
114250-53120	13	10
114250-53130	13	11
114250-53140	13	12
114250-53210	13	13
118400-44670	10	45
118400-44720	10	46
119005-12571	5	17
119131-18320	6	5
119140-12680	5	19
119255-44660	10	49
119578-91351	17	13
	22	
119593-59581	13	73
119609-32040	2	9
	18	3
119620-01750	3	3
119620-77461	16	13
119620-77471	16	14
119620-77490	16	15
119620-79200	16	8
119620-79210	16	9
119620-79220	16	10
119620-79230	16	11
119620-79250	16	6
119620-79290	16	19
119620-79300	16	20
119620-79310	16	21
119620-79320	16	22
119620-79330	16	23
119620-79340	16	24
119620-79350	16	25
119625-11880	4	32
	18	11
119626-77210	16	2
119626-77450	16	26
119626-77710	16	16
119640-01640	3	8
119761-39450	9	41
119802-01561	2	5
119802-03110	4	43
119802-03121	4	44
119802-03130	4	45
119802-03141	4	46
119802-11260	4	6
119802-11270	4	7
119802-11870	4	31

Parts No.	Fig. No.	Ref. No.
119802-11870	18	10
119802-21660	8	8
119802-25071	7	13
119802-25101	7	10
119802-25901	7	16
119802-35110	9	25
		26 B
119802-39450	9	43
119802-51090	11	15
119802-51560	11	60
119802-51680	11	70
119802-51690	11	71
119802-55801	14	2
119802-59550	13	67
119802-59560	13	69
119802-77330	16	29
119803-01520	2	4
119803-21200	8	4
119803-25050	7	9
119803-53400	13	14
119803-77830	4	54
119808-12540	5	15
119852-51630	11	75
119852-51640	11	76
119852-51650	11	78
119865-21600	8	14
119934-01800	2	3
119934-59910	11	128
119940-59130	9	37
119940-77270	16	28
120130-11860	4	29
120270-54410	4	34
120445-44540	10	40
121023-01551	2	19
121111-21501	8	11
121400-11340	4	25
	18	8
121450-42450	10	34
121520-34810	9	17
121550-23200	8	27
121750-59890	14	12
121850-21680	8	10
121850-42410	10	8
121850-51960	2	10
	18	4
123501-79240	16	5
123900-13610	6	3
123900-13630	6	4
124060-01050	1	4
124060-77680	13	74

Parts No.	Fig. No.	Ref. No.
124085-35350	9	23 -2
124160-01751	2	6
	4	39
124160-01910	1	6
	7	
124160-11360	4	51
124160-39140	9	42
124240-01871	2	7
124395-49840	10	17
	18	25
124460-11340	4	26
	18	9
124465-44950	10	36
	18	29
124722-59050	13	68
		71
124766-59050	14	5
		9
128401-77440	16	12
129001-01250	1	5
129001-02931	1	29
129001-91841	2	11
129004-03010	4	41
129004-11650	4	9
129004-11900	4	33
129004-34802	9	16
129004-42040	10	15
129004-55612	14	1
129005-03080	5	1
129005-11100	4	21
129005-22080	8	15
129005-22500	8	17
129005-22900	8	33
129005-22950	8	35
129005-59830	9	44
129006-35100	9	24
		26 A
129006-44480	9	29
129008-51390	11	42 A
129008-51900	11	9 A
129008-51920	11	9 B
129008-61301	12	19
129008-77800	4	55
129052-77380	16	4
129052-77422	16	7
129052-79260	16	17
129052-79270	16	18
129062-12560	5	16
129100-01580	3	1
		14

Parts No.	Fig. No.	Ref. No.
129100-01580	8	2
129100-11112	4	22
129100-23910	8	30
129100-42051	10	3
129100-42121	10	4
129103-49301	9	39
129107-44590	10	43
129136-77011	15	1
129136-77310	15	2
129136-77520	15	14
129150-01200	1	27
129150-01650	3	16
129150-02020	1	9
129150-02450	7	4
129150-02871	1	32
129150-02931	1	24
129150-02941	1	35
129150-03070	4	42
129150-11230	4	10
129150-11280	4	8
129150-11370	4	14
129150-11750	4	12
129150-11810	4	30
129150-14101	7	6
129150-14200	7	1
129150-14400	7	2
129150-23601	8	28
129150-23611	8	31
129150-25301	7	15
129150-32020	9	14
	18	18
129150-35042	9	18
	18	19
129150-35111	9	27
	18	20
129150-35153	9	28
129150-49811	10	29
	18	27
129150-59120	13	41
129150-59131	13	44
		48
129150-77511	5	8
	18	15
129155-49801	10	28
129202-22300	8	21
129242-55700	14	15
129242-55720	14	16
129242-55730	14	17
129242-55740	14	18
129242-55750	14	19

## Parts No. Index

Parts No.	Fig. No.	Ref. No.	Parts No.	Fig. No.	Ref. No.	Parts No.	Fig. No.	Ref. No.	Parts No.	Fig. No.	Ref. No.
129242-55760	14	20	129601-11310	18	12	129916-49740	10	11	171008-03990	9	35
129242-55770	14	21	129601-11350	4	40	129927-44900	10	35	171008-77450	15	8
129263-49350	10	10	129601-13109	6	1	129927-51650	11	4	171008-77510	15	13
129263-51251	11	135	129601-13500	6	8	129927-51660	11	5	171008-77540	15	15
129263-77941	11	6	129601-44560	10	48	129927-51670	11	8	171008-77650	15	20
129350-49560	10	31	129601-44600	10	44	129927-75900	17	19	171008-77660	15	24
129400-01730	3	6	129601-59810	13	50	129927-77600	17	11	171008-77670	15	25
129400-77490	15	12	129601-59820	13	54				171008-77750	15	31
129400-77571	15	18	129601-59830	13	58	129927-77680	17	12	171051-01921	1	8
129400-92430	18	31	129601-59840	13	62				171056-49120	10	33
129403-42380	10	23 -1	129602-12100	5	3	129927-77910	16	33	171353-44760	10	26
129407-01340	1	28	129602-49010	10	50	129927-77920	16	34	172B02-17150	16	32 -1
	18	2	129604-11700	4	15	129930-13201	6	7	198461-52950	16	32
129407-12110	5	4	129604-21000	8	1				22190-080002	2	12
	18	14	129604-53000	13	2					9	45
129407-32000	9	1	129604-53300	13	2 -1	129932-12520	5	12		47	
129410-03990	5	2	129604-77821	4	56	129956-59010	14	8		18	21
129417-33110	9	23	129612-01600	3	2	129957-59101	14	10	22190-100002	9	48
129417-33111	9	23 -1	129612-12650	5	18	129961-59110	14	6		18	22
129417-35150	9	26	129612-42360	10	24	129972-77341	16	30	22190-120002	10	37
		26 C	129612-42380	10	24 -1	158552-51151	11	18		11	104
129418-12530	5	13	129612-49040	10	51	158552-51570	11	61		111	
129436-01780	3	7	129612-52100	14	14			62		129	
129436-35070	9	19 -1	129630-59010	14	4	158552-51571	11	61 -1		12	24 -2
129436-35091	9	19	129632-42000	10	1			62 -1		18	30
129486-01670	3	18	129632-75010	17	1	158552-51580	11	64	22190-180002	11	105
129486-12581	5	7	129632-75020	17	1 -1	158552-51670	11	9	22190-220002	3	10
129486-42021	10	14	129648-01600	3	15	158552-51781	11	102		18	7
	18	23	129648-01780	3	17	158552-52100	11	126	22217-050000	11	130
129486-42140	10	16	129655-44740	10	25	158552-52310	11	109	22217-140000	11	112
	18	24	129657-51590	11	65	158552-52311	11	109 -1	22252-000260	8	22
129486-59551	13	70	129657-51600	11	66	158552-52400	11	110	22312-050140	11	113
129489-21590	8	12	129795-01900	16	1	158552-52500	11	127	22351-030010	8	7
129508-33010	9	21	129795-01950	2	8	158553-51670	11	69	22351-050010	11	114
129508-33031	9	21 -1	129795-02412	1	12	158553-51680	11	81	22351-060012	4	35
129508-33050	9	22	129795-11120	4	23	158553-51770	11	108	22512-070140	7	7
129508-33060	9	22 -1	129795-11180	4	24	158553-51930	11	106 -1		8	5
129508-35100	9	24 -1	129795-21661	8	9			12	22857-500100	4	49
129508-35150	9	26 D	129795-49551	10	30	158553-61780	12	23		50	
129508-44501	10	41		18	28	158557-51570	11	63	22877-500080	17	14
129508-44550	10	42	129900-07900	4	1	158557-61720	12	22		23	
129508-49030	9	30	129900-12530	5	14	158563-51281	11	41	23010-038000	10	52
129508-49040	9	34	129900-77400	15	3			42	23010-044000	10	53
129550-13110	6	2	129900-77440	15	6	158563-51330	11	51	23080-015000	9	33
	18	16	129900-77450	15	7	158600-51270	11	40		38	
129550-42350	10	23			11	158601-51550	11	59	23414-080000	10	18
129550-59120	13	45	129900-77460	15	9	158601-51650	11	7		18	26
129601-11241	4	3	129900-77480	15	10	158601-51770	11	101	23414-120000	12	24
129601-11251	4	4	129900-77640	15	19	158601-51790	11	103	23857-030000	9	46
129601-11310	4	48	129910-12502	5	10	171008-03990	9	31	23875-020000	10	13 -1

## Parts No. Index

Parts No.	Fig. No.	Ref. No.
23876-010000	10	12
23876-020000	10	13
23887-120002	11	106
	12	25
24311-000070	11	116
24311-000120	4	52
	18	13
24311-000160	14	22
24311-000320	2	13
	4	53
	18	5
24321-000750	14	23
24341-000240	2	20
	18	6
24341-000480	12	26
24356-010180	11	117
24356-010200	11	72
		118
24356-190180	11	117 -1
24356-190200	11	72 -1
		118 -1
24372-000150	11	73
26014-060122	10	47
26106-060102	11	119
26106-060142	11	131
26106-060162	2	21
	12	27
26106-060202	12	28
26106-060322	15	29
26106-060402	10	27
	15	30
26106-080122	10	19
26106-080142	7	8
26106-080162	2	14
		15
	3	11
	4	2
	10	20
	11	136
26106-080202	5	5
		9
	9	40
26106-080222	10	32
26106-080252	3	12
	4	36
	6	9
	12	29
26106-080302	2	16
	14	3
26106-080352	3	19

Parts No.	Fig. No.	Ref. No.
26106-080352	4	37
	9	20
26106-080402	7	14
26106-080452	3	13
		13 -1
	10	21
	16	31
26106-080502	3	20
	4	38
26106-080552	2	17
	9	20 -1
26106-080602	10	22
26106-080802	5	6
26106-080852	2	11 -1
26116-120252	15	32
26206-100252	3	4
26206-100302	3	5
26226-080182	4	13
26306-080002	2	18
	6	6
		10
26306-100002	16	27
26366-060002	9	49
26450-060252	9	15
26450-080452	11	123
26716-050002	11	132
26776-140002	11	124
27241-120000	1	13
27241-160000	11	133
27241-300000	1	14
27241-400000	4	20
27310-080001	4	27
719803-01500	2	1
720445-44200	10	38
729402-14580	7	3
729402-23100	8	23
729602-01560	1	1
729602-92730	18	1
729604-53200	13	1
729604-53400	13	1 -1
729632-51380	11	1
729632-51550	11	1 -1
977770-1207F	18	32
X2114255110	15	5
X2114555500	15	21
X2114955020	15	22
X2130350900	15	4
X2240410100	15	23
X9490561001	16	3

Parts No.	Fig. No.	Ref. No.
-----------	----------	----------

Parts No.	Fig. No.	Ref. No.
-----------	----------	----------