

0CD50-M06540EN

P R E F A C E

This parts catalog is the 1st edition of 3TNV80F-NGMG for Mase.

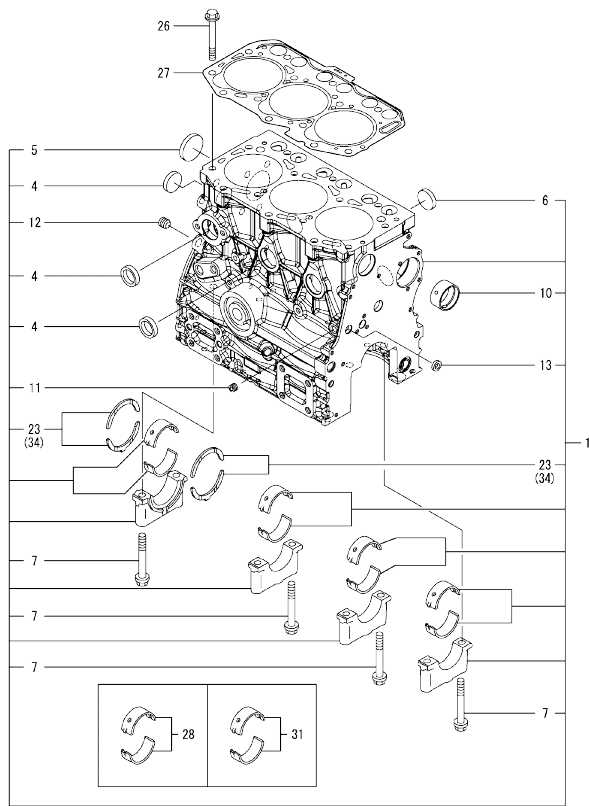
Published : November, 2020

Contents

OCD50-M06540

Fig. No.	Fig. Name	Fig. No.	Fig. Name
ENGINE			
1.	CYLINDER BLOCK		
2.	GEAR HOUSING		
3.	MOUNTING FLANGE & OIL SUMP		
4.	CYLINDER HEAD & BONNET		
5.	CAMSHAFT & DRIVING GEAR		
6.	CRANKSHAFT & PISTON		
7.	LUB. OIL SYSTEM		
8.	COOLING WATER SYSTEM		
9.	FUEL INJECTION PUMP		
10.	GOVERNOR		
11.	FUEL INJECTION VALVE		
12.	FUEL PIPE		
13.	STARTER MOTOR		
14.	GENERATOR		
15.	ACCESSORY		
16.	GASKET SET		

Fig.1. CYLINDER BLOCK



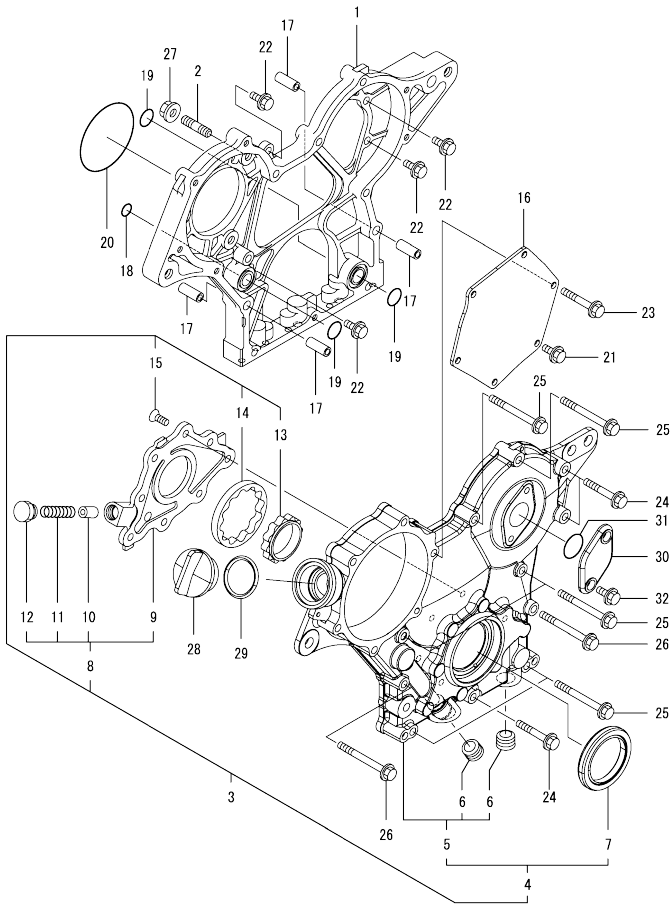
(A)=3TNV80F-NGMG
(B)=
(C)=

(D)=
(E)=
(F)=

No.	Lev.	Parts No.	Description	Q'ty						I	R
				(A)	(B)	(C)	(D)	(E)	(F)		
1	1	119E00-01560	BLOCK ASSY, CYLINDER	1							
4	2	105311-01090	PLUG, 30	4							
5	2	119623-01250	PLUG, 45	1							
6	2	119285-01990	PLUG, 25	3							
7	2	119620-02020	BOLT, METAL CAP	8							
10	2	119717-02411	BUSH, CAMSHAFT	1							
11	2	124060-01050	PLUG, PT1/8	1							
12	2	124160-01910	PLUG, PT1/4	1							
13	2	27241-120000	PLUG, 12	1							
23	2	119717-02930	METAL ASSY, THRUST	2							
26	1	119810-01200	BOLT, CYLINDER HEAD	14							
27	1	119E10-01330	GASKET SET, HEAD	1							
28	1	719717-02901	METAL ASSY, MAIN	4							1
31	1	719717-02911	METAL ASSY, MAIN .25	4							2
34	1	119810-02941	METAL ASSY, 0.25 OS	2							3

Remarks
(1)Spare parts.
(2)Under-sized(U.S.=0.25) parts.
(3)Over-sized(O.S.=0.25) parts.

Fig.2. GEAR HOUSING

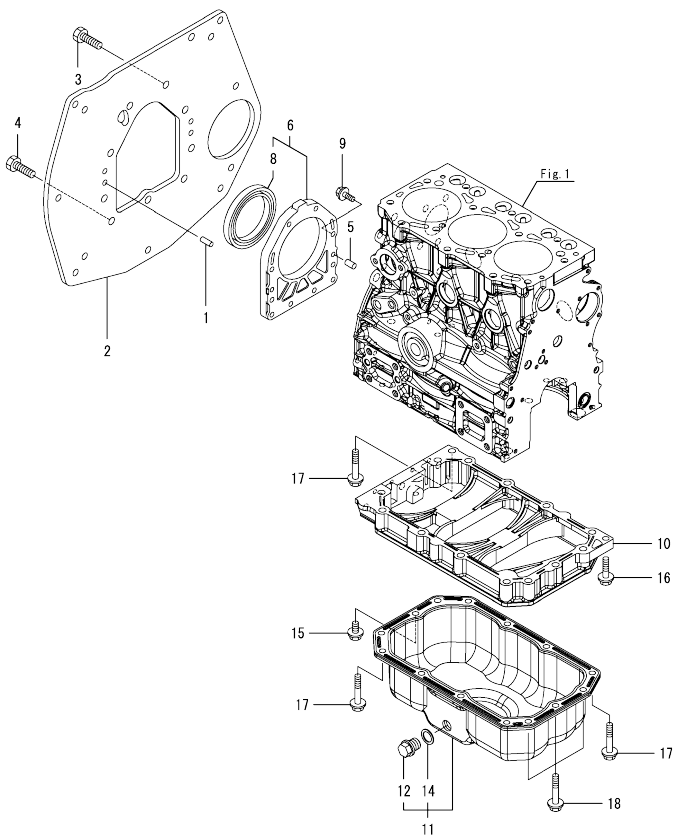


(A)=3TNV80F-NGMG
(B)=
(C)=

(D)=
(E)=
(F)=

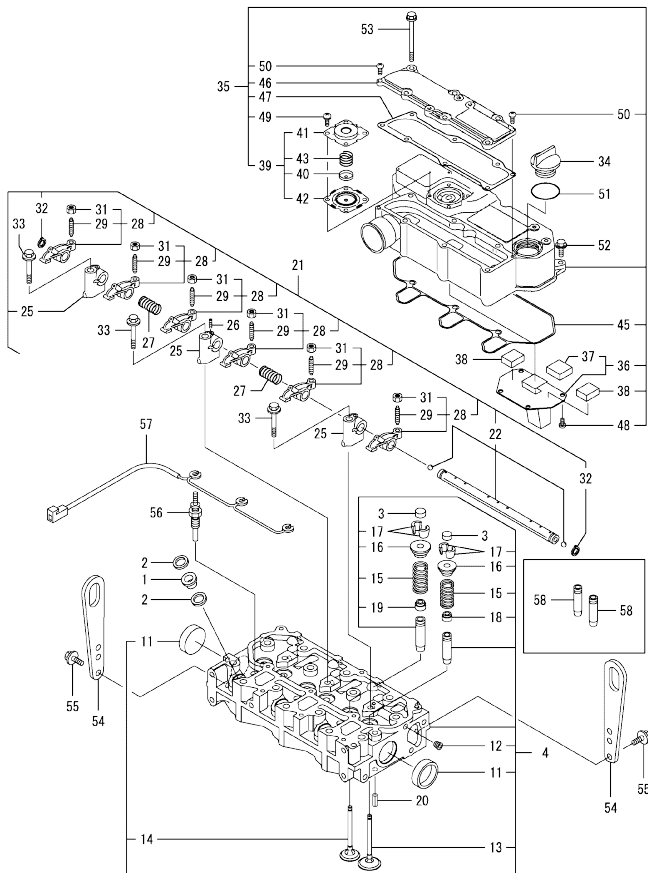
No.	Lev.	Parts No.	Description	Qty						I	R
				(A)	(B)	(C)	(D)	(E)	(F)		
1	1	119717-01501	CASE, GEAR	1							
2	1	119717-01570	STUD	3							
3	1	119734-01580	COVER ASSY, CASE	1							
4	2	719734-01510	COVER ASSY, CASE	1							
5	3	119744-01521	COVER, GEAR CASE	1							
6	4	23876-030000	PLUG, R03	2							
7	3	119717-01800	SEAL, OIL	1							
8	2	119717-32100	COVER ASSY, PUMP	1							
9	3	119717-32080	COVER, OIL PUMP	1							
10	3	129900-32130	VALVE, RELIEF	1							
11	3	129001-32320	SPRING	1							
12	3	129001-32330	PLUG	1							
13	2	119717-32110	ROTOR, INNER	1							
14	2	119717-32120	ROTOR, OUTER	1							
15	2	119802-32130	SCREW, M6X16	8							
16	1	119717-01750	COVER, PUMP	1							
17	1	119660-01911	PIPE, KNOCK 6X17	4							
18	1	119624-32040	O-RING, P12.0	1							
19	1	119717-32050	O-RING, P17.0	3							
20	1	121850-51960	O-RING, FUEL PUMP	1							
21	1	26106-060122	BOLT, M6X 12 PLATED	1							
22	1	26106-060162	BOLT, M6X 16 PLATED	4							
23	1	26106-060402	BOLT, M6X 40 PLATED	4							
24	1	26106-060402	BOLT, M6X 40 PLATED	3							
25	1	26106-060602	BOLT, M6X 60 PLATED	7							
26	1	26106-060652	BOLT, M6X 65 PLATED	2							
27	1	26306-080002	NUT, M8	3							
28	1	124160-01751	CAP, FILLER	1							
29	1	24311-000320	O-RING, 1AP32.0	1							
30	1	121023-01551	COVER, TACHOMETER	1							
31	1	24341-000240	O-RING, 1AS24.0	1							
32	1	26106-060162	BOLT, M6X 16 PLATED	2							

Fig.3. MOUNTING FLANGE & OIL SUMP



No.	Lev.	Parts No.	Description	Q'ty						I	R
				(A)	(B)	(C)	(D)	(E)	(F)		
1	1	129100-01580	PIN, PARALLEL 8X16		2						
2	1	119746-01600	FLANGE, MOUNTING		1						
3	1	26206-100202	BOLT, M10X 20 PLATED		7						
4	1	26206-100252	BOLT, M10X 25 PLATED		3						
5	1	119620-01620	PIN, PARALLEL M6X10		2						
6	1	119660-01640	CASE ASSY, OIL SEAL		1						
8	2	124085-02220	SEAL, METAL HOUSING		1						
9	1	26106-060222	BOLT, M6X 22 PLATED		10						
10	1	119717-01720	SPACER, OIL PAN		1						
11	1	119717-01770	OIL PAN ASSY		1						
12	2	105425-01690	PLUG, DRAIN M16		1						
14	2	22190-160002	WASHER, SEAL 16		1						
15	1	26106-080122	BOLT, M8X 12 PLATED		1						
16	1	26106-080302	BOLT, M8X 30 PLATED		1						
17	1	26106-080452	BOLT, M8X 45 PLATED		11						
18	1	26106-080502	BOLT, M8X 50 PLATED		3						

Fig.4. CYLINDER HEAD & BONNET



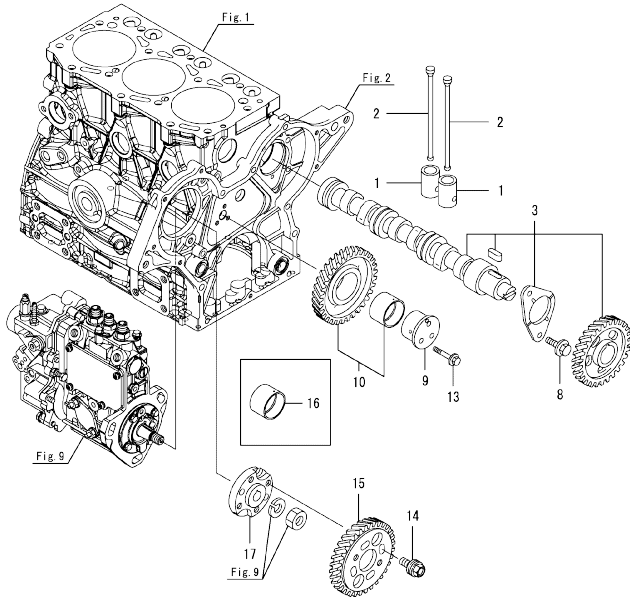
(A)=3TNV80F-NGMG
(B)=
(C)=

(D)=
(E)=
(F)=

No.	Lev.	Parts No.	Description	Q'ty						I	R
				(A)	(B)	(C)	(D)	(E)	(F)		
1	1	129901-11450	PROTECTOR, NOZZLE	3							
2	1	119600-11460	GASKET, NOZZLE	6							
3	1	105010-11490	CAP, VALVE	6							
4	1	119E10-11750	HEAD ASSY, CYLINDER	1							
11	2	119285-11990	PLUG, 35	2							
12	2	23876-005000	PLUG, R005	1							
13	2	119E10-11100	VALVE, INTAKE	3							
14	2	119E10-11110	VALVE, EXHAUST	3							
15	2	119717-11131	SPRING, VALVE	6							
16	2	129508-11180	RETAINER, SPRING	6							
17	2	119717-11190	COTTER, VALVE	12							
18	2	119717-11340	SEAL, VALVE STEM	3							
19	2	119717-11350	SEAL, VALVE STEM	3							
20	1	22351-060012	PIN, SPRING 6.0X12	2							
21	1	119717-11200	SUPPORT ASSY, ROCKER	1							
22	2	119717-11240	SHAFT ASSY, ARM	1							
25	2	119717-11260	SUPPORT, ROCKER ARM	3							
26	2	119260-11270	SCREW	1							
27	2	119620-11280	SPRING, SHAFT	2							
28	2	119717-11650	ARM ASSY, ROCKER INT	6							
29	3	129150-11230	SCREW, VALVE ADJUST	6							
31	3	129150-11750	NUT, M8XP1.0	6							
32	2	22242-000120	RING, 12	2							
33	1	26106-080402	BOLT, M8X 40 PLATED	3							
34	1	124160-01751	CAP, FILLER	1							
35	1	119717-11381	BONNET ASSY, HEAD	1							
36	2	119717-03031	PLATE, BAFFLE	1							
37	3	119717-03070	BAFFLE, BREATHER	1							
38	2	119717-03070	BAFFLE, BREATHER	2							
39	2	119802-03100	DIAPHRAGM ASSY	1							
40	3	119802-03110	PLATE, DIAPHRAGM	1							
41	3	119802-03121	COVER, DIAPHRAGM	1							
42	3	119802-03131	DIAPHRAGM, BREATHER	1							
43	3	119802-03141	SPRING, DIAPHRAGM	1							
45	2	119718-11310	GASKET, BONNET	1							
46	2	119717-11320	COVER, BONNET	1							
47	2	119717-11331	GASKET, BONNET COVER	1							
48	2	22857-500100	SCREW, 5X10	4							
49	2	22857-500100	SCREW, 5X10	4							
50	2	22857-500160	SCREW, 5X16	2							
51	1	24311-000320	O-RING, 1AP32.0	1							
52	1	26106-060202	BOLT, M6X 20 PLATED	3							
53	1	26106-060752	BOLT, M6X 75 PLATED	6							
54	1	129900-07900	LIFTER, ENGINE	2							
55	1	26106-080162	BOLT, M8X 16 PLATED	4							
56	1	119717-77801	PLUG, GLOW	3							
57	1	119717-77820	CONNECTOR, GLOW PLUG	1							
58	1	119717-11800	GUIDE, VALVE	6							1

Remarks
(1)Spare parts.

Fig.5. CAMSHAFT & DRIVING GEAR



(A)=3TNV80F-NGMG
(B)=
(C)=

(D)=
(E)=
(F)=

No.	Lev.	Parts No.	Description	Q'ty						I	R
				(A)	(B)	(C)	(D)	(E)	(F)		
1	1	119620-14200	TAPPET	6							
2	1	119717-14400	ROD, PUSH	6							
3	1	119717-14581	CAMSHAFT ASSY	1							
8	1	26106-060122	BOLT, M6X 12 PLATED	2							
9	1	119717-25050	SHAFT, IDLE GEAR	1							
10	1	119717-25101	GEAR ASSY, IDLE	1							
13	1	26106-060352	BOLT, M6X 35 PLATED	3							
14	1	129150-25301	BOLT, INJECTION PUMP	4							
15	1	119717-25930	GEAR, PUMP	1							
16	1	119717-25911	BUSH, IDLE GEAR	1							1
17	1	119717-51150	FLANGE, CAMSHAFT	1							

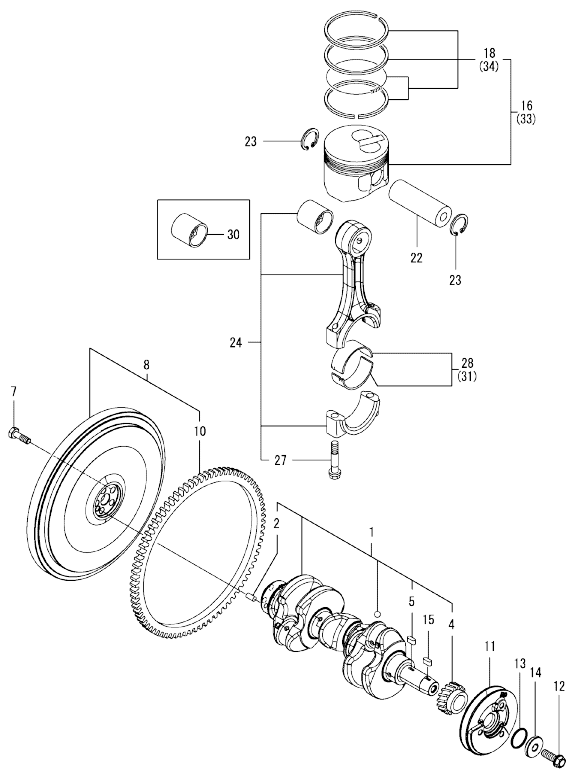
Remarks

(1)Spare parts.

Fig.6. CRANKSHAFT & PISTON

(A)=3TNV80F-NGMG
(B)=
(C)=

(D)=
(E)=
(F)=

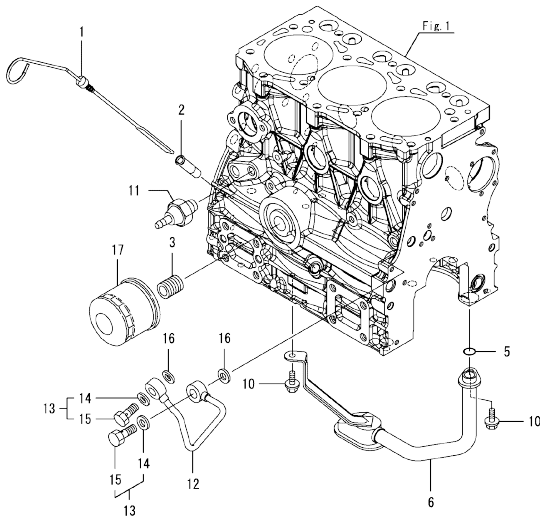


No.	Lev.	Parts No.	Description	Q'ty						I	R
				(A)	(B)	(C)	(D)	(E)	(F)		
1	1	119E10-21700	CRANKSHAFT ASSY	1							
2	2	129100-01580	PIN, PARALLEL 8X16	1							
4	2	119717-21200	GEAR, CRANKSHAFT	1							
5	2	22512-040120	KEY, 4X 12	1							
7	1	119620-21500	BOLT, FLYWHEEL	5							
8	1	119746-21590	FLYWHEEL ASSY	1							
10	2	119867-21601	GEAR, RING Z=119	1							
11	1	119C40-21650	V-PULLEY, CRANKSHAFT	1							
12	1	119621-21681	BOLT, FLANGE 12X1.25	1							
13	1	119C10-21931	PACKING, WASHER	1							
14	1	119C10-21940	WASHER, V-PULLEY	1							
15	1	22512-040120	KEY, 4X 12	1							
16	1	119E11-22080	PISTON ASSY	3							
18	2	119E10-22500	RING SET, PISTON	3							
22	1	119E10-22300	PIN, PISTON	3							
23	1	2252-000220	RING, 22	6							
24	1	119E10-23001	ROD ASSY, CONNECTING	3							
27	2	119717-23200	BOLT, CONNECTING ROD	6							
28	1	119717-23601	METAL ASSY, CRANK PIN	3							
30	1	119717-23910	METAL, PISTON PIN	3							1
31	1	119717-23611	METAL ASSY, PIN .25	3							2
33	1	119E11-22900	PISTON ASSY, 0.25 OS	3							3
34	2	119E10-22550	RING SET, PISTON .25	3							3

Remarks

- (1) Spare parts.
- (2) Under-sized (U.S.=0.25) parts.
- (3) Over-sized (O.S.=0.25) parts.

Fig.7. LUB. OIL SYSTEM



(A)=3TNV80F-NGMG
(B)=
(C)=

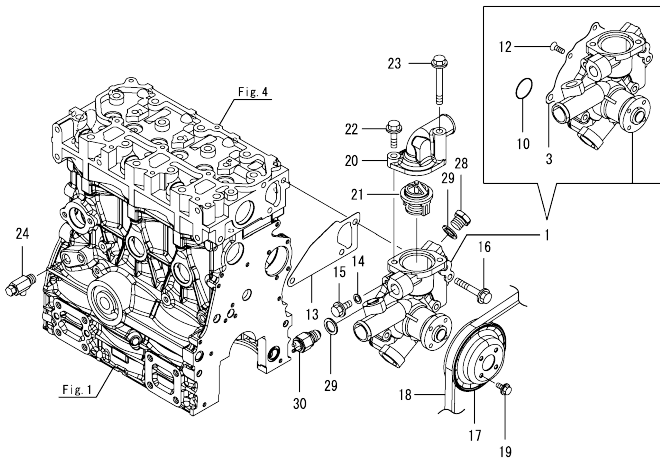
(D)=
(E)=
(F)=

No.	Lev.	Parts No.	Description	Q'ty						I	R
				(A)	(B)	(C)	(D)	(E)	(F)		
1	1	119740-34801	DIPSTICK, OIL	1							
2	1	121520-34810	GUIDE, DIPSTICK	1							
3	1	119717-35140	STUD	1							
5	1	119717-32060	O-RING, P15.0	1							
6	1	119717-35080	PIPE ASSY, OIL INLET	1							
10	1	26106-060102	BOLT, M6X 10 PLATED	2							
11	1	114250-39450	SWITCH, HYDRAULIC	1							
12	1	119717-39210	PIPE, PUMP	1							
13	1	129005-59830	BOLT ASSY, JOINT M8	2							
14	2	22190-080002	WASHER, SEAL 8	2							
15	2	23857-030000	BOLT, JOINT 3	2							
16	1	22190-080002	WASHER, SEAL 8	2							
17	1	119305-35151	FILTER ASSY, D68XL65	1							1

Remarks

(1)Spare parts.

Fig.8. COOLING WATER SYSTEM



(A)=3TNV80F-NGMG
(B)=
(C)=

(D)=
(E)=
(F)=

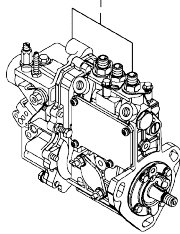
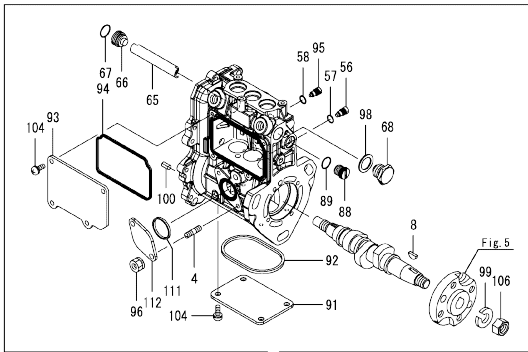
No.	Lev.	Parts No.	Description	Q'ty						I	R
				(A)	(B)	(C)	(D)	(E)	(F)		
1	1	119E10-42001	PUMP ASSY, CW	1							
3	2	119717-42031	GASKET, WATER PUMP	1							
10	2	119C10-42320	O-RING, 2028	1							
12	2	26577-060122	SCREW, M6X12	4							
13	1	119717-42020	GASKET, WATER PUMP	1							
14	1	23414-080000	GASKET, 8X1.0	1							
15	1	26106-080122	BOLT, M8X 12 PLATED	1							
16	1	26106-080502	BOLT, M8X 50 PLATED	3							
17	1	119717-42350	V-PULLEY, PUMP D=100	1							
18	1	129258-42290	V-BELT, A36.5	1							
19	1	26106-060122	BOLT, M6X 12 PLATED	4							
20	1	124101-49531	COVER, THERMOSTAT	1							
21	1	119717-49800	THERMOSTAT, 71C	1							
22	1	26106-080282	BOLT, M8X 28 PLATED	1							
23	1	26106-080652	BOLT, M8X 65 PLATED	1							
24	1	119620-49290	COCK ASSY, 1/4	1							
28	1	121450-42450	PLUG, M16	1							
29	1	124465-44950	GASKET, 16	2							
30	1	46150-503100	SWITCH, THERMO 95C	1							
30-1	1	121250-44901	SWITCH, TEMPERATURE	1							N
(A=**2021.05.)											

Fig.9. FUEL INJECTION PUMP

(A)=3TNV80F-NGMG
(B)=
(C)=

(D)=
(E)=
(F)=

No.	Lev.	Parts No.	Description	Q'ty						I	R
				(A)	(B)	(C)	(D)	(E)	(F)		
1	1	719E46-51320	FIE ASSY	1							1
4	2	129155-51020	STUD	2							
8	2	122710-51090	KEY, FEATHER	1							
56	2	158600-51270	STOPPER, TAPPET	3							
57	2	129155-51280	O-RING, S6	3							
58	2	129155-51280	O-RING, S6	1							
65	2	129155-51400	PROTECTOR	1							
66	2	158600-51410	PLUG, DEFLIFTER M12	1							
67	2	119717-51420	O-RING	1							
68	2	158600-51420	PLUG, DEFLIFTER M16	1							
88	2	158600-51570	PLUG, RACK	1							
89	2	129155-51580	O-RING	1							
91	2	129155-51701	COVER, PUMP BOTTOM	1							
92	2	119717-51711	GASKET, PUMP	1							
93	2	119717-51750	COVER, BODY SIDE	1							
94	2	119717-51761	GASKET, PUMP COVER	1							
95	2	158600-51790	STOPPER, RACK	1							
96	2	119717-51860	NUT, M6	2							
98	2	22190-160002	WASHER, SEAL 16	1							
99	2	22217-120000	WASHER, SPRING 12	1							
100	2	22351-050010	PIN, SPRING 5.0X10	2							
104	2	26022-050122	SCREW, M5X12	8							
106	2	26716-120002	NUT, M12	1							
111	2	129155-52051	GASKET, PUMP COVER	1							
112	2	129100-52200	COVER, FEED PUMP	1							

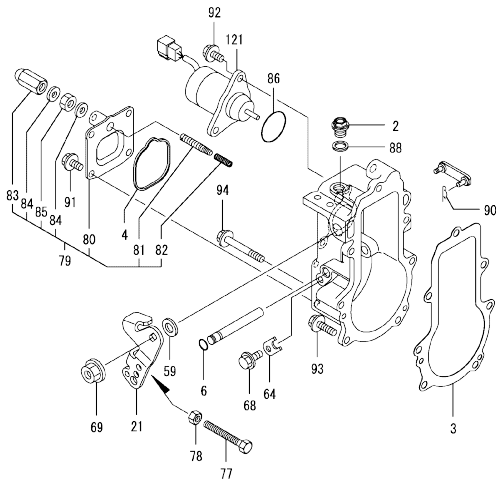


Remarks

(1)Governor(Fig.10) is incorporated in this Fuel Injection Pump(No.1).

OCD50-M06540 ENGINE
 Fig.10. GOVERNOR

OCD50-M06540 Fig.10



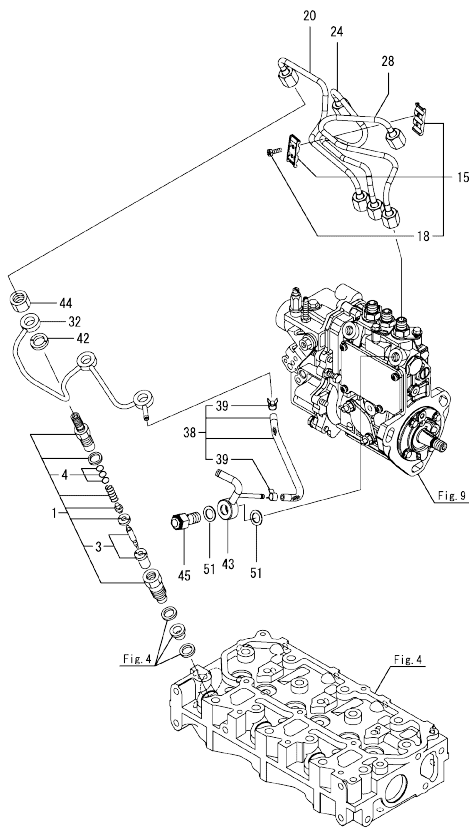
No.	Lev.	Parts No.	Description	Q'ty						I	R
				(A)	(B)	(C)	(D)	(E)	(F)		
2	2	119717-51930	PLUG, M10	1							
3	2	119717-61050	GASKET, CASE	1							
4	2	119717-61070	GASKET, COVER	1							
6	2	129155-51280	O-RING, S6	1							
21	2	119746-61440	LEVER, CONTROL	1							
59	2	158552-61700	SHIM SET	1							
64	2	119660-61901	STOPPER, SHAFT	1							
68	2	26106-060102	BOLT, M6X 10 PLATED	1							
69	2	26366-080002	NUT, M8	1							
77	2	129155-61461	BOLT, IDLE LIMIT	1							
78	2	119740-61470	NUT	1							
79	2	119746-61600	COVER ASSY, IDLE SUB	1							
80	3	119746-61060	COVER, GOVERNOR CASE	1							
81	3	119645-61070	SCREW, ADJUSTER	1							
82	3	119746-61080	SPRING, IDLE SUB	1							
83	3	119600-66840	NUT, CAP	1							
84	3	22190-060003	SEAL WASER 6	2							
85	3	26756-060002	NUT, LOCK M6	1							
86	2	158552-61900	O-RING	1							
88	2	22190-100002	WASHER, SEAL 10	1							
90	2	22372-040000	PIN, SNAP 4	1							
91	2	26106-060102	BOLT, M6X 10 PLATED	4							
92	2	26106-060142	BOLT, M6X 14 PLATED	2							
93	2	26106-060202	BOLT, M6X 20 PLATED	4							
94	2	26106-060452	BOLT, M6X 45 PLATED	3							
121	2	129630-77910	SOLENOID, STOP	1							

Remarks

* This figure(Governor) is incorporated in the Fuel Injection Pump(Fig.9).

N:Old $\frac{100}{100}$ New, Q:Old $\frac{100}{100}$ New, R:Old $\frac{100}{100}$ New, S:Old $\frac{100}{100}$ New, W:Add, Z:Discontinued, F:Interchangeable by set, K:Q'ty Change
 Copyright (C) 2020 YANMAR GLOBAL CS CO., LTD. All Rights Reserved.

Fig.11. FUEL INJECTION VALVE



(A)=3TNV80F-NGMG
(B)=
(C)=

(D)=
(E)=
(F)=

No.	Lev.	Parts No.	Description	Q'ty						I	R
				(A)	(B)	(C)	(D)	(E)	(F)		
1	1	119517-53001	VALVE ASSY,INJECTION	3							
3	2	119517-53010	VALVE ASSY,INJECTION	3							
4	2	129901-53800	SHIM SET, ADJUSTING	3							1
15	1	129150-59120	RETAINER, PIPE	1							
18	2	129150-59131	BOLT, M4X14	2							
20	1	119E10-59810	PIPE ASSY, INJECTION	1							
24	1	119E10-59820	PIPE, INJECTION NO.2	1							
28	1	119E10-59830	PIPE, INJECTION NO.3	1							
32	1	119717-59510	PIPE ASSY, RETURN	1							
38	1	119744-59560	HOSE ASSY, RETURN	1							
39	2	124066-59100	CLAMP, HOSE 8	2							
42	1	129901-59560	GASKET, FUEL RETURN	3							
43	1	119515-59581	JOINT, OVERFLOW	1							
44	1	119620-59700	NUT, NOZZLE RETURN	3							
45	1	119813-59950	VALVE ASSY, CHECK	1							
51	1	22190-120002	WASHER, SEAL 12	2							

Remarks

(1)Spare parts.

OCD50-M06540 ENGINE
 Fig.12. FUEL PIPE

OCD50-M06540 Fig.12

(A)=3TNV80F-NGMG
 (B)=
 (C)=

(D)=
 (E)=
 (F)=

No.	Lev.	Parts No.	Description	Q'ty					
				(A)	(B)	(C)	(D)	(E)	(F)
1	1	103854-39140	BOLT, PIPE JOINT	1					
2	1	101304-59020	JOINT, PIPE 12	1					
3	1	22190-120002	WASHER, SEAL 12	2					

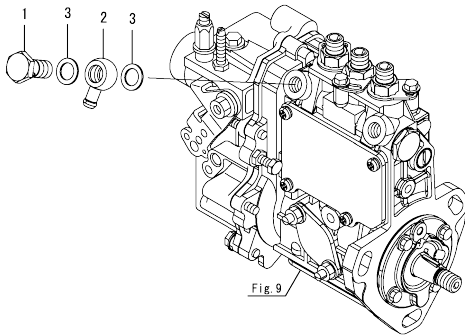
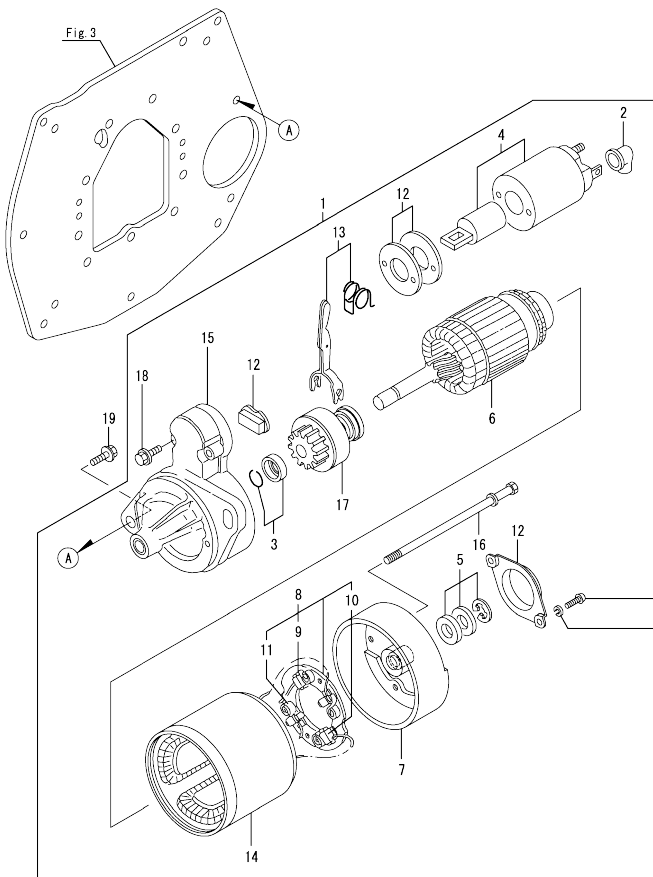


Fig. 9

Fig.13. STARTER MOTOR

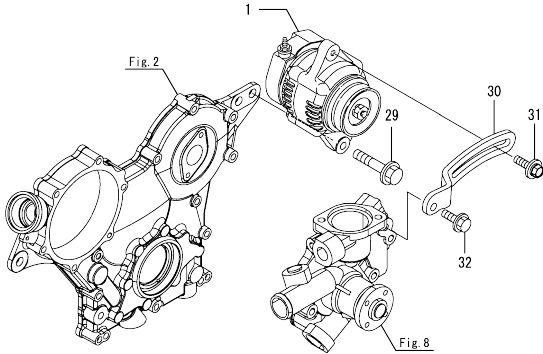
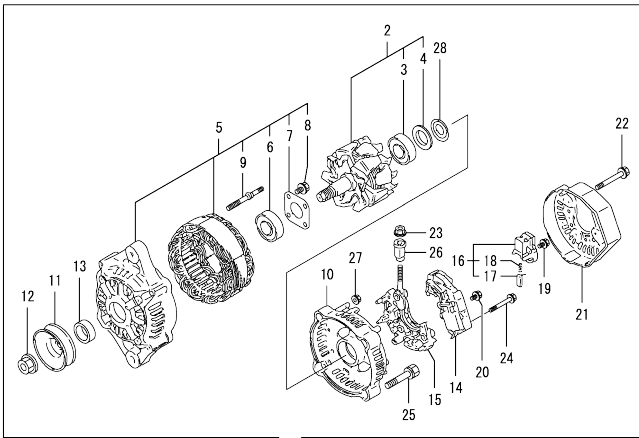


(A)=3TNV80F-NGMG
(B)=
(C)=

(D)=
(E)=
(F)=

No.	Lev.	Parts No.	Description	Q'ty						I	R
				(A)	(B)	(C)	(D)	(E)	(F)		
1	1	119865-77013	STARTER, 0.9KW	1							
2	2	X2114274200	COVER, TERMINAL	1							
3	2	X2114715500	STOPPER SET, PINION	1							
4	2	X2114676180	SWITCH, MAGNET	1							
5	2	X2114811000	WASHER KIT, THRUST	1							
6	2	114371-77110	ARMATURE ASSY	1							
7	2	114371-77140	COVER ASSY, REAR	1							
8	2	114371-77160	HOLDER ASSY, BRUSH	1							
9	3	114371-79040	BRUSH, -	2							
10	3	114371-79050	BRUSH SET, +	1							
11	3	114371-79060	SPRING, BRUSH	4							
12	2	114371-77170	COVER KIT, DUST	1							
13	2	114371-77180	LEVER KIT, SHIFT	1							
14	2	124097-77710	YOKE ASSY	1							
15	2	119865-77760	CASE ASSY, GEAR	1							
16	2	124195-77770	BOLT, THROUGH	2							
17	2	119865-77780	PINION ASSY	1							
18	2	114371-79070	BOLT, M6	2							
19	1	26106-100202	BOLT, M10X 20 PLATED	2							

Fig.14. GENERATOR



(A)=3TNV80F-NGMG
(B)=
(C)=

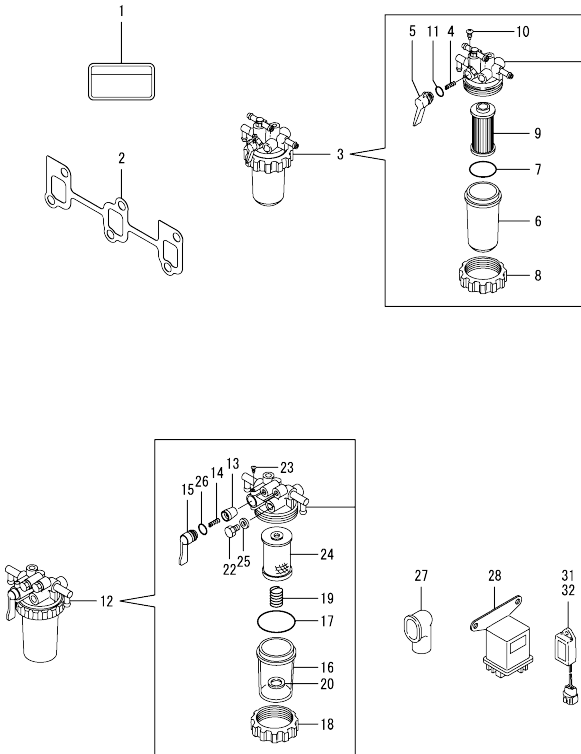
(D)=
(E)=
(F)=

No.	Lev.	Parts No.	Description	Q'ty						I	R
				(A)	(B)	(C)	(D)	(E)	(F)		
1	1	129423-77210	ALTERNATOR, 12V-40A	1							
2	2	119620-77380	ROTOR ASSY	1							
3	3	123501-79240	BEARING, BALL	1							
4	3	119620-79250	COVER, BEARING	1							
5	2	119620-77421	FRAME ASSY, DRIVE	1							
6	3	119620-79200	BEARING, BALL	1							
7	3	119620-79210	PLATE, RETAINER	1							
8	3	119620-79220	SCREW	4							
9	3	119620-79230	STUD	2							
10	2	119620-77440	FRAME ASSY, REAR	1							
11	2	119620-77461	PULLEY, GENERATOR	1							
12	2	119620-77471	NUT	1							
13	2	119620-77490	COLLAR	1							
14	2	129423-77730	REGULATOR ASSY	1							
15	2	119620-79260	HOLDER ASSY	1							
16	2	129052-79270	HOLDER ASSY, BRUSH	1							
17	3	119620-77480	BRUSH ASSY, SUB	2							
18	3	119620-79280	SPRING	2							
19	2	119620-79290	SCREW	6							
20	2	119620-79300	SCREW	1							
21	2	129240-79300	COVER	1							
22	2	119620-79310	BOLT	3							
23	2	129240-79310	NUT	1							
24	2	119620-79320	SCREW, W/WASHER	2							
25	2	119620-79330	BOLT	2							
26	2	119620-79340	BUSH, INSULATION	1							
27	2	119620-79350	NUT	2							
28	2	119620-79360	WASHER, THRUST	1							
29	1	26106-100452	BOLT, M10X 45 PLATED	1							
30	1	119717-77330	ADJUSTER, BELT	1							
31	1	119810-77340	BOLT, ADJUSTER L=30	1							
32	1	26106-080202	BOLT, M8X 20 PLATED	1							

Fig.15. ACCESSORY

(A)=3TNV80F-NGMG
(B)=
(C)=

(D)=
(E)=
(F)=

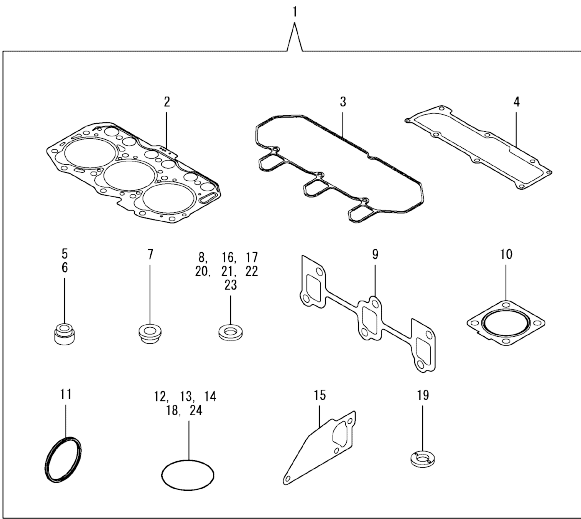


No.	Lev.	Parts No.	Description	Qty					
				(A)	(B)	(C)	(D)	(E)	(F)
1	1	114110-07761	LABEL, FUEL CAUTION	1					
2	1	119717-13110	GASKET, MANIFOLD	1					
3	1	119740-55601	STRAINER ASSY, FUEL	1					
4	2	104200-55330	SPRING, FUEL VALVE	1					
5	2	119810-55340	LEVER, FUEL	1					
6	2	121254-55510	CUP, FUEL STARINER	1					
7	2	102103-55520	O-RING, FILTER	1					
8	2	110250-55610	RING, CUP RETAINING	1					
9	2	119810-55650	ELEMENT, FUEL FILTER	1					
10	2	104200-55750	SCREW, M4	1					
11	2	24311-240100	O-RING, 1AP10A	1					
12	1	129335-55701	SEPARATOR ASSY,WATER	1					
13	2	104200-55321	VALVE, TAPER	1					
14	2	104200-55330	SPRING, FUEL VALVE	1					
15	2	104200-55341	HANDLE, COCK	1					
16	2	124064-55510	CUP, FUEL STARINER	1					
17	2	102103-55520	O-RING, FILTER	1					
18	2	110250-55610	RING, CUP RETAINING	1					
19	2	121257-55720	SPRING, ELEMENT	1					
20	2	121257-55731	FLOAT	1					
22	2	101720-55750	PLUG, HEXAGON M6	2					
23	2	104200-55750	SCREW, M4	1					
24	2	171081-55910	FILTER, FUEL 100M	1					
25	2	23418-060000	GASKET, 6X1.0	2					
26	2	24311-240100	O-RING, 1AP10A	1					
27	1	124550-77030	COVER, TERMINAL B	1					
28	1	119650-77911	RELAY ASSY, GLOW	1					
31	1	129155-77925	TIMER, SECTION 4	1					
32	1	129211-77920	TIMER, SECTION 1	1					

Fig.16. GASKET SET

(A)=3TNV80F-NGMG
(B)=
(C)=

(D)=
(E)=
(F)=



No.	Lev.	Parts No.	Description	Q'ty						I	R
				(A)	(B)	(C)	(D)	(E)	(F)		
1	1	719E21-92601	GASKET SET	1							1
2	2	119E10-01330	GASKET SET, HEAD	1							
3	2	119718-11310	GASKET, BONNET	1							
4	2	119717-11331	GASKET, BONNET COVER	1							
5	2	119717-11340	SEAL, VALVE STEM	3							
6	2	119717-11350	SEAL, VALVE STEM	3							
7	2	129901-11450	PROTECTOR, NOZZLE	3							
8	2	119600-11460	GASKET, NOZZLE	6							
9	2	119717-13110	GASKET, MANIFOLD	1							
10	2	119515-13200	GASKET, SILENCER	1							
11	2	119C10-21931	PACKING, WASHER	1							
12	2	119624-32040	O-RING, P12.0	1							
13	2	119717-32050	O-RING, P17.0	2							
14	2	119717-32060	O-RING, P15.0	1							
15	2	119717-42020	GASKET, WATER PUMP	1							
16	2	124465-44950	GASKET, 16	1							
17	2	129150-49360	GASKET, 10	1							
18	2	121850-51960	O-RING, FUEL PUMP	1							
19	2	129901-59560	GASKET, FUEL RETURN	3							
20	2	22190-080002	WASHER, SEAL 8	4							
21	2	22190-120002	WASHER, SEAL 12	4							
22	2	22190-160002	WASHER, SEAL 16	1							
23	2	23414-080000	GASKET, 8X1.0	1							
24	2	24311-000320	O-RING, 1AP32.0	2							

Remarks

(1)Optional parts.

Parts No. Index

Parts No.	Fig. No.	Ref. No.
101304-59020	12	2
101720-55750	15	22
102103-55520	15	7
	17	
103854-39140	12	1
104200-55321	15	13
104200-55330	15	4
	14	
104200-55341	15	15
104200-55750	15	10
	23	
105010-11490	4	3
105311-01090	1	4
105425-01690	3	12
110250-55610	15	8
	18	
114110-07761	15	1
114250-39450	7	11
114371-77110	13	6
114371-77140	13	7
114371-77160	13	8
114371-77170	13	12
114371-77180	13	13
114371-79040	13	9
114371-79050	13	10
114371-79060	13	11
114371-79070	13	18
119260-11270	4	26
119285-01990	1	6
119285-11990	4	11
119305-35151	7	17
119515-13200	16	10
119515-59581	11	43
119517-53001	11	1
119517-53010	11	3
119600-11460	4	2
	16	8
119600-66840	10	83
119620-01620	3	5
119620-02020	1	7
119620-11280	4	27
119620-14200	5	1
119620-21500	6	7
119620-49290	8	24
119620-59700	11	44
119620-77380	14	2
119620-77421	14	5
119620-77440	14	10
119620-77461	14	11
119620-77471	14	12

Parts No.	Fig. No.	Ref. No.
119620-77480	14	17
119620-77490	14	13
119620-79200	14	6
119620-79210	14	7
119620-79220	14	8
119620-79230	14	9
119620-79250	14	4
119620-79260	14	15
119620-79280	14	18
119620-79290	14	19
119620-79300	14	20
119620-79310	14	22
119620-79320	14	24
119620-79330	14	25
119620-79340	14	26
119620-79350	14	27
119620-79360	14	28
119621-21681	6	12
119623-01250	1	5
119624-32040	2	18
	16	12
119645-61070	10	81
119650-77911	15	28
119660-01640	3	6
119660-01911	2	17
119660-61901	10	64
119717-01501	2	1
119717-01570	2	2
119717-01720	3	10
119717-01750	2	16
119717-01770	3	11
119717-01800	2	7
119717-02411	1	10
119717-02930	1	23
119717-03031	4	36
119717-03070	4	37
	38	
119717-11131	4	15
119717-11190	4	17
119717-11200	4	21
119717-11240	4	22
119717-11260	4	25
119717-11320	4	46
119717-11331	4	47
	16	4
119717-11340	4	18
	16	5
119717-11350	4	19
	16	6
119717-11381	4	35

Parts No.	Fig. No.	Ref. No.
119717-11650	4	28
119717-11800	4	58
119717-13110	15	2
	16	9
119717-14400	5	2
119717-14581	5	3
119717-21200	6	4
119717-23200	6	27
119717-23601	6	28
119717-23611	6	31
119717-23910	6	30
119717-25050	5	9
119717-25101	5	10
119717-25911	5	16
119717-25930	5	15
119717-32050	2	19
	16	13
119717-32060	7	5
	16	14
119717-32080	2	9
119717-32100	2	8
119717-32110	2	13
119717-32120	2	14
119717-35080	7	6
119717-35140	7	3
119717-39210	7	12
119717-42020	8	13
	16	15
119717-42031	8	3
119717-42350	8	17
119717-49800	8	21
119717-51150	5	17
119717-51420	9	67
119717-51711	9	92
119717-51750	9	93
119717-51761	9	94
119717-51860	9	96
119717-51930	10	2
119717-59510	11	32
119717-61050	10	3
119717-61070	10	4
119717-77330	14	30
119717-77801	4	56
119717-77820	4	57
119718-11310	4	45
	16	3
119734-01580	2	3
119740-34801	7	1
119740-55601	15	3
119740-61470	10	78

Parts No.	Fig. No.	Ref. No.
119744-01521	2	5
119744-59560	11	38
119746-01600	3	2
119746-21590	6	8
119746-61060	10	80
119746-61080	10	82
119746-61440	10	21
119746-61600	10	79
119802-03100	4	39
119802-03110	4	40
119802-03121	4	41
119802-03131	4	42
119802-03141	4	43
119802-32130	2	15
119810-01200	1	26
119810-02941	1	34
119810-55340	15	5
119810-55650	15	9
119810-77340	14	31
119813-59950	11	45
119865-77013	13	1
119865-77760	13	15
119865-77780	13	17
119867-21601	6	10
119C10-21931	6	13
	16	11
119C10-21940	6	14
119C10-42320	8	10
119C40-21650	6	11
119E00-01560	1	1
119E10-01330	1	27
	16	2
119E10-11100	4	13
119E10-11110	4	14
119E10-11750	4	4
119E10-21700	6	1
119E10-22300	6	22
119E10-22500	6	18
119E10-22550	6	34
119E10-23001	6	24
119E10-42001	8	1
119E10-59810	11	20
119E10-59820	11	24
119E10-59830	11	28
119E11-22080	6	16
119E11-22900	6	33
121023-01551	2	30
121250-44901	8	30 -1
121254-55510	15	6
121257-55720	15	19

Parts No. Index

Parts No.	Fig. No.	Ref. No.
121257-55731	15	20
121450-42450	8	28
121520-34810	7	2
121850-51960	2	20
	16	18
122710-51090	9	8
123501-79240	14	3
124060-01050	1	11
124064-55510	15	16
124066-59100	11	39
124085-02220	3	8
124097-77710	13	14
124101-49531	8	20
124160-01751	2	28
	4	34
124160-01910	1	12
124195-77770	13	16
124465-44950	8	29
	16	16
124550-77030	15	27
129001-32320	2	11
129001-32330	2	12
129005-59830	7	13
129052-79270	14	16
129100-01580	3	1
	6	2
129100-52200	9	112
129150-11230	4	29
129150-11750	4	31
129150-25301	5	14
129150-49360	16	17
129150-59120	11	15
129150-59131	11	18
129155-51020	9	4
129155-51280	9	57
		58
	10	6
129155-51400	9	65
129155-51580	9	89
129155-51701	9	91
129155-52051	9	111
129155-61461	10	77
129155-77925	15	31
129211-77920	15	32
129240-79300	14	21
129240-79310	14	23
129258-42290	8	18
129335-55701	15	12
129423-77210	14	1
129423-77730	14	14

Parts No.	Fig. No.	Ref. No.
129508-11180	4	16
129630-77910	10	121
129900-07900	4	54
129900-32130	2	10
129901-11450	4	1
	16	7
129901-53800	11	4
129901-59560	11	42
	16	19
158552-61700	10	59
158552-61900	10	86
158600-51270	9	56
158600-51410	9	66
158600-51420	9	68
158600-51570	9	88
158600-51790	9	95
171081-55910	15	24
22190-060003	10	84
22190-080002	7	14
		16
	16	20
22190-100002	10	88
22190-120002	11	51
	12	3
	16	21
22190-160002	3	14
	9	98
	16	22
22217-120000	9	99
22242-000120	4	32
22252-000220	6	23
22351-050010	9	100
22351-060012	4	20
22372-040000	10	90
22512-040120	6	5
		15
22857-500100	4	48
		49
22857-500160	4	50
23414-080000	8	14
	16	23
23418-060000	15	25
23857-030000	7	15
23876-005000	4	12
23876-030000	2	6
24311-000320	2	29
	4	51
	16	24
24311-240100	15	11
		26

Parts No.	Fig. No.	Ref. No.
24341-000240	2	31
26022-050122	9	104
26106-060102	7	10
	10	68
		91
26106-060122	2	21
	5	8
	8	19
26106-060142	10	92
26106-060162	2	22
		32
26106-060202	4	52
	10	93
26106-060222	3	9
26106-060352	5	13
26106-060402	2	23
		24
26106-060452	10	94
26106-060602	2	25
26106-060652	2	26
26106-060752	4	53
26106-080122	3	15
	8	15
26106-080162	4	55
26106-080202	14	32
26106-080282	8	22
26106-080302	3	16
26106-080402	4	33
26106-080452	3	17
26106-080502	3	18
	8	16
26106-080652	8	23
26106-100202	13	19
26106-100452	14	29
26206-100202	3	3
26206-100252	3	4
26306-080002	2	27
26366-080002	10	69
26577-060122	8	12
26716-120002	9	106
26756-060002	10	85
27241-120000	1	13
46150-503100	8	30
719717-02901	1	28
719717-02911	1	31
719734-01510	2	4
719E21-92601	16	1
719E46-51320	9	1
X2114274200	13	2
X2114676180	13	4

Parts No.	Fig. No.	Ref. No.
X2114715500	13	3
X2114811000	13	5