

0CD50-M03590EN

P R E F A C E

This parts catalog is the 1st edition of 3TNV80F-NXDYA.

Published : March, 2018

Contents

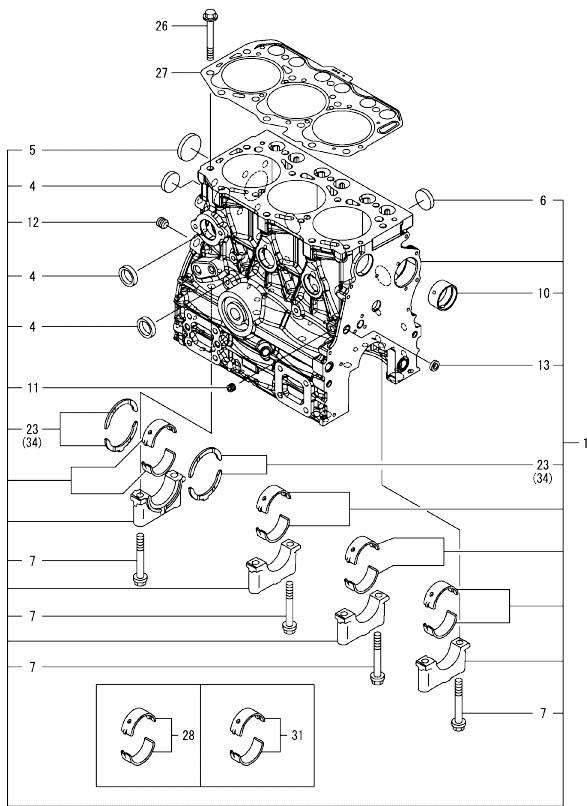
0CD50-M03590

Fig. No.	Fig. Name	Fig. No.	Fig. Name
ENGINE			
1.	CYLINDER BLOCK		
2.	GEAR HOUSING		
3.	FLYWHEEL HOUSING & OIL SUMP		
4.	CYLINDER HEAD & BONNET		
5.	EXHAUST MANIFOLD		
6.	CAMSHAFT & DRIVING GEAR		
7.	CRANKSHAFT & PISTON		
8.	LUB. OIL SYSTEM		
9.	COOLING WATER SYSTEM		
10.	FUEL INJECTION PUMP		
11.	GOVERNOR		
12.	FUEL INJECTION VALVE		
13.	FUEL PIPE		
14.	STARTER MOTOR		
15.	GENERATOR		
16.	ACCESSORY		

Fig.1. CYLINDER BLOCK

(A)=3TNV80F-NXDYA
(B)=
(C)=

(D)=
(E)=
(F)=

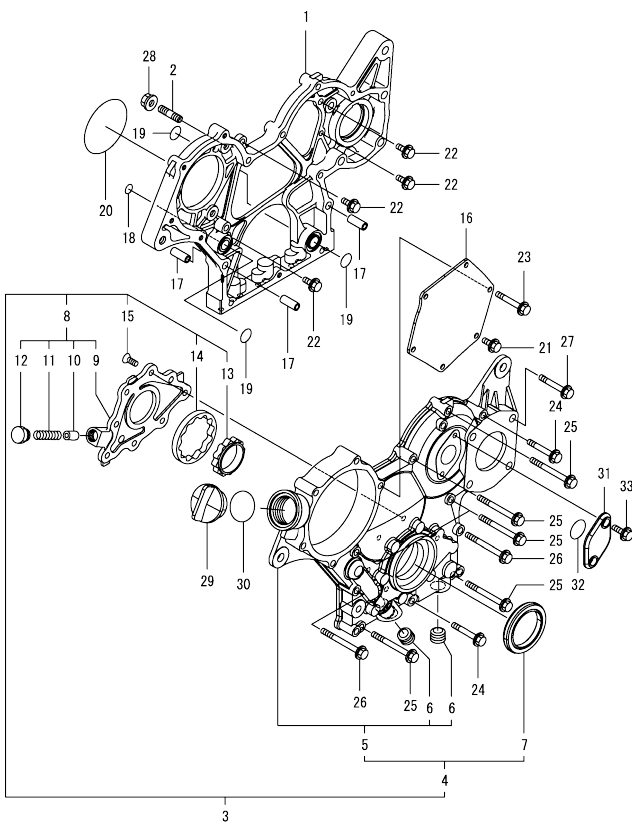


No.	Lev.	Parts No.	Description	Q'ty						I	R
				(A)	(B)	(C)	(D)	(E)	(F)		
1	1	119E00-01560	BLOCK ASSY, CYLINDER	1							
4	2	105311-01090	PLUG, 30	4							
5	2	119623-01250	PLUG, 45	1							
6	2	119285-01990	PLUG, 25	3							
7	2	119620-02020	BOLT, METAL CAP	8							
10	2	119717-02411	BUSH, CAMSHAFT	1							
11	2	124060-01050	PLUG, PT1/8	1							
12	2	124160-01910	PLUG, PT1/4	1							
13	2	27241-120000	PLUG, 12	1							
23	2	119717-02930	METAL ASSY, THRUST	2							
26	1	119810-01200	BOLT, CYLINDER HEAD	14							
27	1	119E10-01330	GASKET SET, HEAD	1							
28	1	719717-02901	METAL ASSY, MAIN	4							1
31	1	719717-02911	METAL ASSY, MAIN .25	4							2
34	1	119810-02941	METAL ASSY, 0.25 OS	2							3

Remarks

- (1)Spare parts.
- (2)Under-sized(U.S.=0.25) parts.
- (3)Over-sized(O.S.=0.25) parts.

Fig.2. GEAR HOUSING

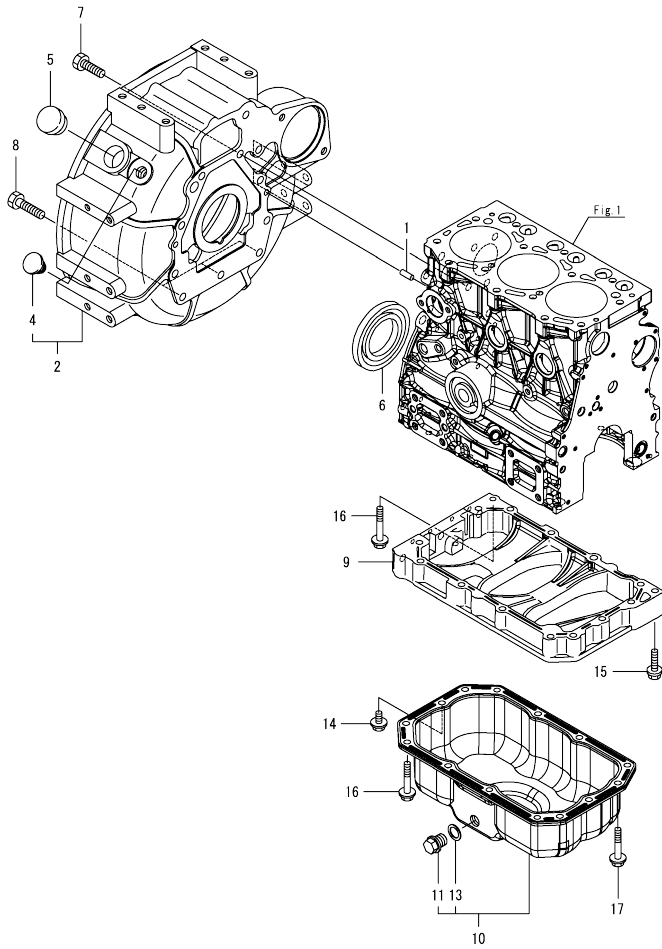


(A)=3TNV80F-NXDYA
(B)=
(C)=

(D)=
(E)=
(F)=

No.	Lev.	Parts No.	Description	Qty						I	R
				(A)	(B)	(C)	(D)	(E)	(F)		
1	1	119742-01500	CASE, GEAR	1							
2	1	119717-01570	STUD	3							
3	1	119740-01580	COVER ASSY, CASE	1							
4	2	719740-01510	COVER ASSY, CASE	1							
5	3	119740-01521	COVER, GEAR CASE	1							
6	4	23876-030000	PLUG, R03	2							
7	3	119717-01800	SEAL, OIL	1							
8	2	119717-32100	COVER ASSY, PUMP	1							
9	3	119717-32080	COVER, OIL PUMP	1							
10	3	129900-32130	VALVE, RELIEF	1							
11	3	129001-32320	SPRING	1							
12	3	129001-32330	PLUG	1							
13	2	119717-32110	ROTOR, INNER	1							
14	2	119717-32120	ROTOR, OUTER	1							
15	2	119802-32130	SCREW, M6X16	8							
16	1	119717-01750	COVER, PUMP	1							
17	1	119660-01911	PIPE, KNOCK 6X17	4							
18	1	119624-32040	O-RING, P12.0	1							
19	1	119717-32050	O-RING, P17.0	3							
20	1	121850-51960	O-RING, FUEL PUMP	1							
21	1	26106-060122	BOLT, M6X 12 PLATED	1							
22	1	26106-060162	BOLT, M6X 16 PLATED	4							
23	1	26106-060402	BOLT, M6X 40 PLATED	4							
24	1	26106-060402	BOLT, M6X 40 PLATED	2							
25	1	26106-060602	BOLT, M6X 60 PLATED	7							
26	1	26106-060652	BOLT, M6X 65 PLATED	2							
27	1	26106-080352	BOLT, M8X 35 PLATED	3							
28	1	26306-080002	NUT, M8	3							
29	1	124160-01751	CAP, FILLER	1							
30	1	24311-000320	O-RING, 1AP32.0	1							
31	1	121023-01551	COVER, TACHOMETER	1							
32	1	24341-000240	O-RING, 1AS24.0	1							
33	1	26106-060162	BOLT, M6X 16 PLATED	2							

Fig.3. FLYWHEEL HOUSING & OIL SUMP

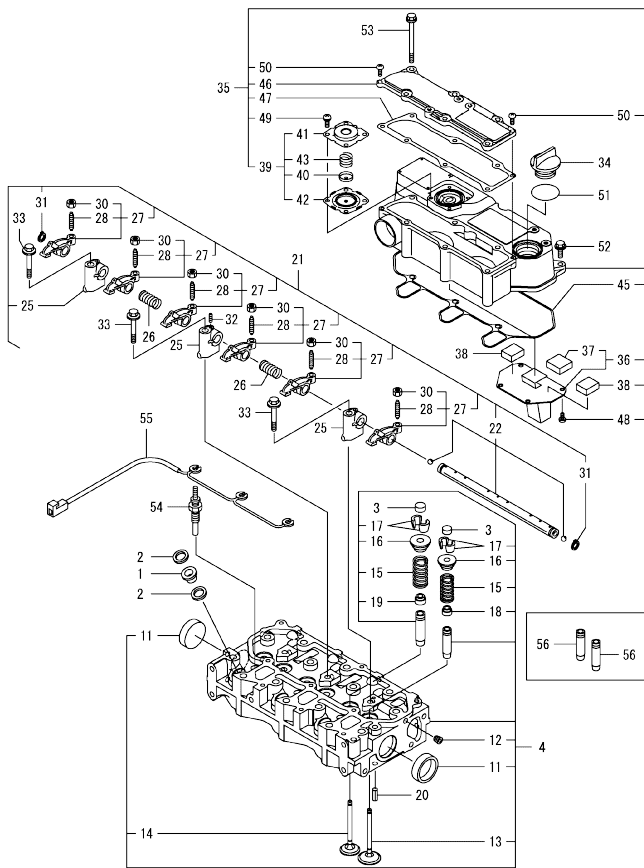


(A)=3TNV80F-NXDYA
(B)=
(C)=

(D)=
(E)=
(F)=

No.	Lev.	Parts No.	Description	Q'ty						I	R
				(A)	(B)	(C)	(D)	(E)	(F)		
1	1	129100-01580	PIN, PARALLEL 8X16	2							
2	1	119717-01611	HOUSING, FLYWHEEL	1							
4	2	119888-01850	PLUG, RUBBER 19	1							
5	1	119620-01750	CAP, WHEEL COVER	1							
6	1	124085-02220	SEAL, METAL HOUSING	1							
7	1	26206-100252	BOLT, M10X 25 PLATED	8							
8	1	26206-100302	BOLT, M10X 30 PLATED	3							
9	1	119717-01720	SPACER, OIL PAN	1							
10	1	119717-01770	OIL PAN ASSY	1							
11	2	105425-01690	PLUG, DRAIN M16	1							
13	2	22190-160002	WASHER, SEAL 16	1							
14	1	26106-080122	BOLT, M8X 12 PLATED	1							
15	1	26106-080302	BOLT, M8X 30 PLATED	1							
16	1	26106-080452	BOLT, M8X 45 PLATED	11							
17	1	26106-080502	BOLT, M8X 50 PLATED	3							

Fig.4. CYLINDER HEAD & BONNET



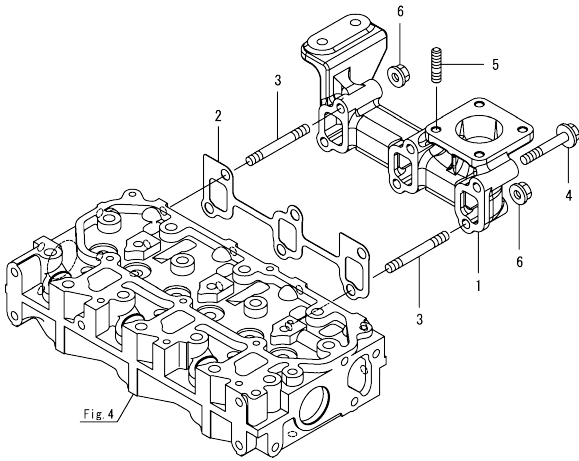
(A)=3TNV80F-NXDYA
(B)=
(C)=

(D)=
(E)=
(F)=

No.	Lev.	Parts No.	Description	Q'ty						I	R
				(A)	(B)	(C)	(D)	(E)	(F)		
1	1	129901-11450	PROTECTOR, NOZZLE	3							
2	1	119600-11460	GASKET, NOZZLE	6							
3	1	105010-11490	CAP, VALVE	6							
4	1	119E10-11750	HEAD ASSY, CYLINDER	1							
11	2	119285-11990	PLUG, 35	2							
12	2	23876-005000	PLUG, R005	1							
13	2	119E10-11100	VALVE, INTAKE	3							
14	2	119E10-11110	VALVE, EXHAUST	3							
15	2	119717-11131	SPRING, VALVE	6							
16	2	129508-11180	RETAINER, SPRING	6							
17	2	119717-11190	COTTER, VALVE	12							
18	2	119717-11340	SEAL, VALVE STEM	3							
19	2	119717-11350	SEAL, VALVE STEM	3							
20	1	22351-060012	PIN, SPRING 6.0X12	2							
21	1	119717-11200	SUPPORT ASSY, ROCKER	1							
22	2	119717-11240	SHAFT ASSY, ARM	1							
25	2	119717-11260	SUPPORT, ROCKER ARM	3							
26	2	119620-11280	SPRING, SHAFT	2							
27	2	119717-11650	ARM ASSY, ROCKER INT	6							
28	3	129150-11230	SCREW, VALVE ADJUST	6							
30	3	129150-11750	NUT, M8X1.0	6							
31	2	22242-000120	RING, 12	2							
32	2	26979-050162	SCREW, M5X16	1							
33	1	26106-080402	BOLT, M8X 40 PLATED	3							
34	1	124160-01751	CAP, FILLER	1							
35	1	119717-11381	BONNET ASSY, HEAD	1							
36	2	119717-03031	PLATE, BAFFLE	1							
37	3	119717-03070	BAFFLE, BREATHER	1							
38	2	119717-03070	BAFFLE, BREATHER	2							
39	2	119802-03100	DIAPHRAGM ASSY	1							
40	3	119802-03110	PLATE, DIAPHRAGM	1							
41	3	119802-03121	COVER, DIAPHRAGM	1							
42	3	119802-03131	DIAPHRAGM, BREATHER	1							
43	3	119802-03141	SPRING, DIAPHRAGM	1							
45	2	119718-11310	GASKET, BONNET	1							
46	2	119717-11320	COVER, BONNET	1							
47	2	119717-11331	GASKET, BONNET COVER	1							
48	2	22857-500100	SCREW, 5X10	4							
49	2	22857-500100	SCREW, 5X10	4							
50	2	22857-500160	SCREW, 5X16	2							
51	1	24311-000320	O-RING, 1AP32.0	1							
52	1	26106-060202	BOLT, M6X 20 PLATED	3							
53	1	26106-060752	BOLT, M6X 75 PLATED	6							
54	1	119717-77801	PLUG, GLOW	3							
55	1	119717-77820	CONNECTOR, GLOW PLUG	1							
56	1	119717-11800	GUIDE, VALVE	6							1

Remarks
(1)Spare parts.

Fig.5. EXHAUST MANIFOLD

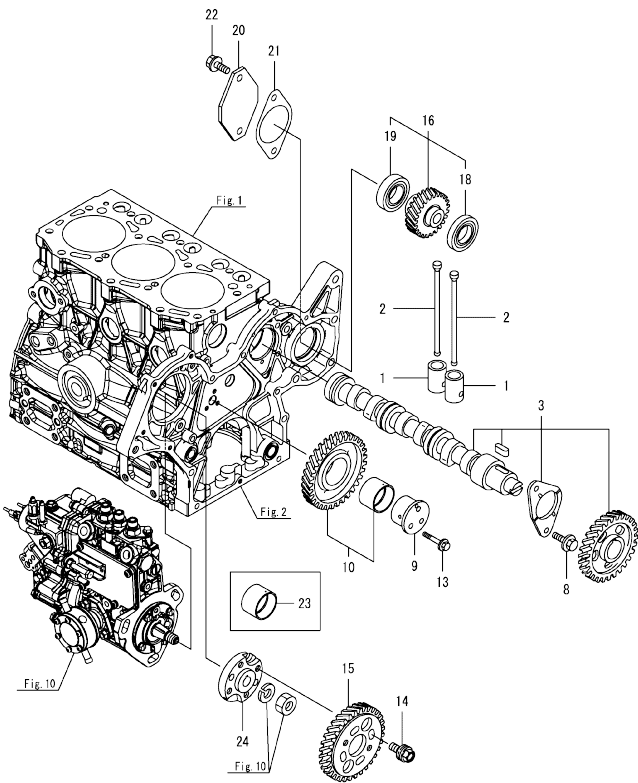


(A)=3TNV80F-NXDYA
(B)=
(C)=

(D)=
(E)=
(F)=

No.	Lev.	Parts No.	Description	Q'ty					
				(A)	(B)	(C)	(D)	(E)	(F)
1	1	119717-13109	MANIFOLD, EXHAUST	1					
2	1	119717-13110	GASKET, MANIFOLD	1					
3	1	119717-13600	STUD, M8X50	2					
4	1	129E00-13610	BOLT, M8X50 10.9	4					
5	1	119131-18320	STUD, M8X22	4					
6	1	26306-080002	NUT, M8	2					

Fig.6. CAMSHAFT & DRIVING GEAR



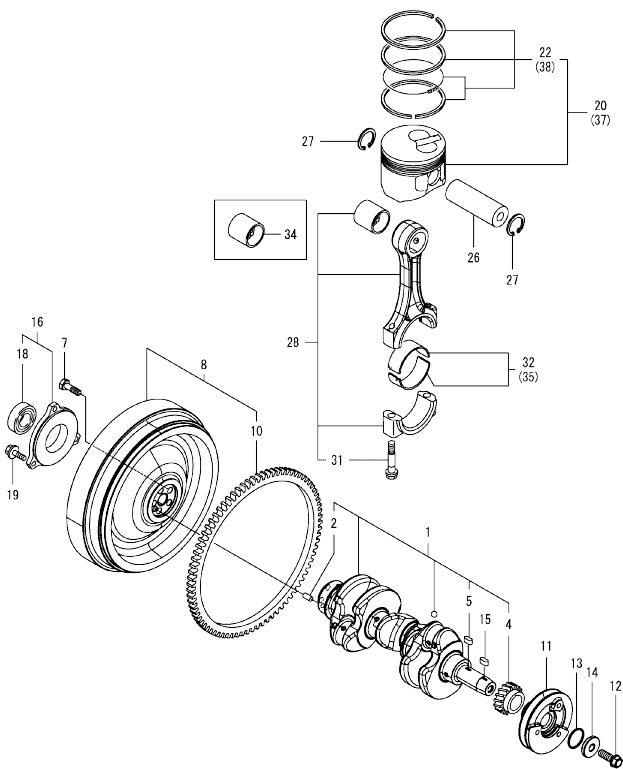
(A)=3TNV80F-NXDYA
(B)=
(C)=

(D)=
(E)=
(F)=

No.	Lev.	Parts No.	Description	Q'ty						I	R
				(A)	(B)	(C)	(D)	(E)	(F)		
1	1	119620-14200	TAPPET	6							
2	1	119717-14400	ROD, PUSH	6							
3	1	119717-14581	CAMSHAFT ASSY	1							
8	1	26106-060122	BOLT, M6X 12 PLATED	2							
9	1	119717-25050	SHAFT, IDLE GEAR	1							
10	1	119717-25101	GEAR ASSY, IDLE	1							
13	1	26106-060352	BOLT, M6X 35 PLATED	3							
14	1	129150-25301	BOLT, INJECTION PUMP	4							
15	1	119717-25930	GEAR, PUMP	1							
16	1	119744-26000	GEAR ASSY, PUMP	1							
18	2	129350-26490	BEARING, BALL 16005	1							
19	2	24104-060054	BEARING, BALL 6005UU	1							
20	1	119742-26071	COVER, PUMP	1							
21	1	119742-26080	GASKET, BRACKET	1							
22	1	26106-080162	BOLT, M8X 16 PLATED	2							
23	1	119717-25911	BUSH, IDLE GEAR	1							1
24	1	119717-51150	FLANGE, CAMSHAFT	1							

Remarks
(1)Spare parts.

Fig.7. CRANKSHAFT & PISTON



(A)=3TNV80F-NXDYA
(B)=
(C)=

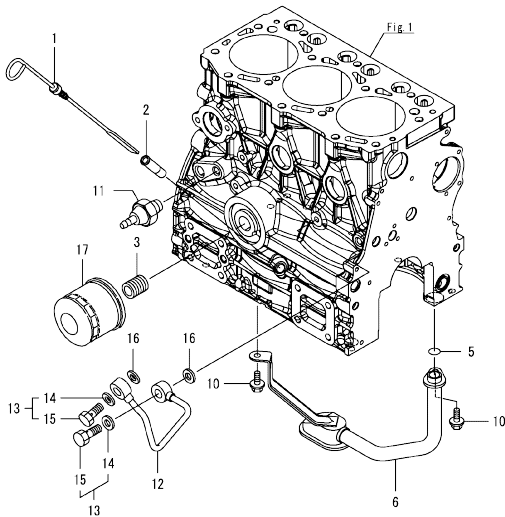
(D)=
(E)=
(F)=

No.	Lev.	Parts No.	Description	Q'ty						I	R
				(A)	(B)	(C)	(D)	(E)	(F)		
1	1	119E10-21700	CRANKSHAFT ASSY	1							
2	2	129100-01580	PIN, PARALLEL 8X16	1							
4	2	119717-21200	GEAR, CRANKSHAFT	1							
5	2	22512-040120	KEY, 4X 12	1							
7	1	121111-21501	BOLT, FLYWHEEL	5							
8	1	119E17-21570	FLYWHEEL ASSY	1							
10	2	119865-21600	GEAR, RING Z=116	1							
11	1	119C10-21650	V-PULLEY, CRANKSHAFT	1							
12	1	119621-21681	BOLT, FLANGE 12X1.25	1							
13	1	119C10-21930	GASKET, WASHER	1							
14	1	119C10-21940	WASHER, V-PULLEY	1							
15	1	22512-040120	KEY, 4X 12	1							
16	1	119888-21450	RETAINER, BEARING	1							
18	2	24104-062054	BEARING, BALL 6205UU	1							
19	1	26106-080222	BOLT, M8X 22 PLATED	3							
20	1	119E11-22080	PISTON ASSY	3							
22	2	119E10-22500	RING SET, PISTON	3							
26	1	119E10-22300	PIN, PISTON	3							
27	1	22252-000220	RING, 22	6							
28	1	119E10-23000	ROD ASSY, CONNECTING	3							
31	2	119717-23200	BOLT, CONNECTING ROD	6							
32	1	119717-23601	METAL ASSY, CRANK PIN	3							
34	1	119717-23910	METAL, PISTON PIN	3							1
35	1	119717-23611	METAL ASSY, PIN .25	3							2
37	1	119E11-22900	PISTON ASSY, 0.25 OS	3							3
38	2	119E10-22550	RING SET, PISTON .25	3							3

Remarks

- (1) Spare parts.
- (2) Under-sized (U.S.=0.25) parts.
- (3) Over-sized (O.S.=0.25) parts.

Fig.8. LUB. OIL SYSTEM



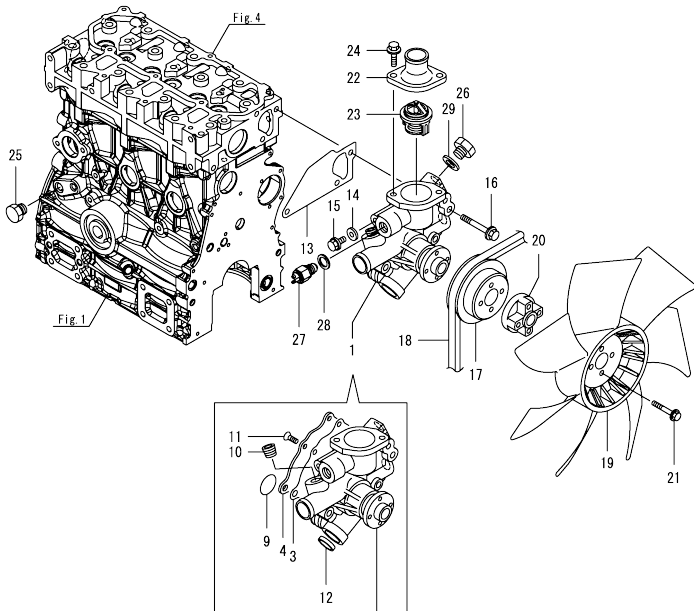
(A)=3TNV80F-NXDYA
(B)=
(C)=

(D)=
(E)=
(F)=

No.	Lev.	Parts No.	Description	Q'ty						I	R
				(A)	(B)	(C)	(D)	(E)	(F)		
1	1	119717-34801	DIPSTICK, OIL	1							
2	1	121520-34810	GUIDE, DIPSTICK	1							
3	1	119717-35140	STUD	1							
5	1	119717-32060	O-RING, P15.0	1							
6	1	119717-35080	PIPE ASSY, OIL INLET	1							
10	1	26106-060102	BOLT, M6X 10 PLATED	2							
11	1	114250-39450	SWITCH, HYDRAULIC	1							
12	1	119717-39210	PIPE, PUMP	1							
13	1	129005-59830	BOLT ASSY, JOINT M8	2							
14	2	22190-080002	WASHER, SEAL 8	2							
15	2	23857-030000	BOLT, JOINT 3	2							
16	1	22190-080002	WASHER, SEAL 8	2							
17	1	119305-35170	FILTER ASSY, D68XL65	1							1

Remarks
(1)Spare parts.

Fig.9. COOLING WATER SYSTEM



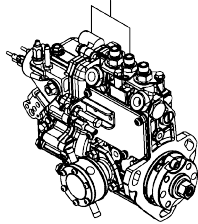
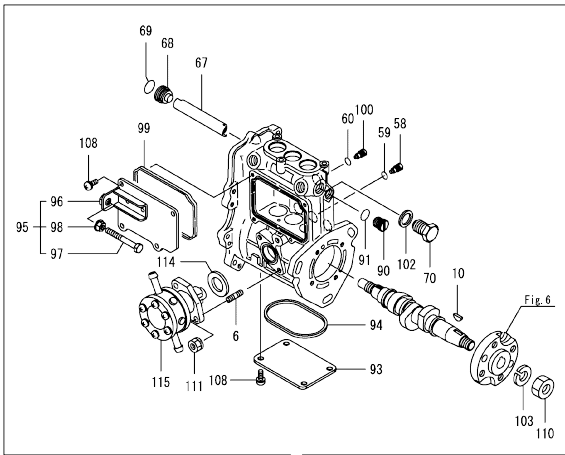
No.	Lev.	Parts No.	Description	Q'ty						I	R
				(A)	(B)	(C)	(D)	(E)	(F)		
1	1	119E10-42000	PUMP ASSY, WATER	1							
3	2	119717-42031	GASKET, WATER PUMP	1							
4	2	119717-42041	COVER, WATER PUMP	1							
9	2	119C10-42320	O-RING, 2028	1							
10	2	129916-49740	PLUG, R3/8	1							
11	2	26577-060122	SCREW, M6X12	4							
12	2	27241-250000	PLUG, 25	1							
13	1	119717-42020	GASKET, WATER PUMP	1							
14	1	23414-080000	GASKET, 8X1.0	1							
15	1	26106-080122	BOLT, M8X 12 PLATED	1							
16	1	26106-080502	BOLT, M8X 50 PLATED	3							
17	1	119717-42350	V-PULLEY, PUMP D=100	1							
18	1	25132-003700	V-BELT, A37	1							
19	1	119717-44740	FAN, COOLING D=335X7	1							
20	1	171353-44760	SPACER, FAN 25MM	1							
21	1	26106-060402	BOLT, M6X 40 PLATED	4							
21-1	1	26106-060352	BOLT, M6X 35 PLATED	4							N
(A=E26214)											
22	1	129350-49530	COVER, THERMOSTAT	1							
23	1	119717-49800	THERMOSTAT, 71C	1							
24	1	26106-080202	BOLT, M8X 20 PLATED	2							
25	1	171056-49120	PLUG, DRAIN R1/4	1							
26	1	121450-42450	PLUG, M16	1							
27	1	121250-44901	SWITCH, TEMPERATURE	1							
28	1	124465-44950	GASKET, 16	1							
29	1	124465-44950	GASKET, 16	1							

Fig.10. FUEL INJECTION PUMP

(A)=3TNV80F-NXDYA
(B)=
(C)=

(D)=
(E)=
(F)=

No.	Lev.	Parts No.	Description	Q'ty						I	R
				(A)	(B)	(C)	(D)	(E)	(F)		
1	1	719E17-51320	FIE ASSY	1							1
6	2	129155-51020	STUD	2							
10	2	122710-51090	KEY, FEATHER	1							
58	2	158600-51270	STOPPER, TAPPET	3							
59	2	129155-51280	O-RING, S6	3							
60	2	129155-51280	O-RING, S6	1							
67	2	129155-51400	PROTECTOR	1							
68	2	158600-51410	PLUG, DEFLIFTER M12	1							
69	2	119717-51420	O-RING	1							
70	2	158600-51420	PLUG, DEFLIFTER M16	1							
90	2	158600-51570	PLUG, RACK	1							
91	2	129155-51580	O-RING	1							
93	2	129155-51701	COVER, PUMP BOTTOM	1							
94	2	119717-51711	GASKET, PUMP	1							
95	2	119E17-51750	COVER ASSY	1							
96	3	119E17-51760	COVER, BODY SIDE	1							
97	3	129155-61461	BOLT, IDLE LIMIT	1							
98	3	26368-060002	NUT, M6	1							
99	2	119717-51761	GASKET, PUMP COVER	1							
100	2	158600-51790	STOPPER, RACK	1							
102	2	22190-160002	WASHER, SEAL 16	1							
103	2	22217-120000	WASHER, SPRING 12	1							
108	2	26022-050122	SCREW, M5X12	8							
110	2	26716-120002	NUT, M12	1							
111	2	119717-51860	NUT, M6	2							
114	2	129155-52051	GASKET, PUMP COVER	1							
115	2	129100-52101	PUMP ASSY, FUEL FEED	1							

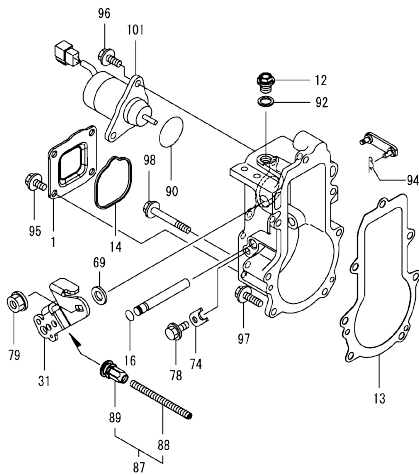


Remarks

(1)Governor(Fig.11) is incorporated in this Fuel Injection Pump(No.1).

OCD50-M03590 ENGINE
 Fig.11. GOVERNOR

OCD50-M03590 Fig.11



(A)=3TNV80F-NXDYA
 (B)=
 (C)=

(D)=
 (E)=
 (F)=

No.	Lev.	Parts No.	Description	Q'ty						I	R
				(A)	(B)	(C)	(D)	(E)	(F)		
1	2	119717-61060	COVER, GOVERNOR CASE	1							
12	2	119717-51930	PLUG, M10	1							
13	2	119717-61050	GASKET, CASE	1							
14	2	119717-61070	GASKET, COVER	1							
16	2	129155-51280	O-RING, S6	1							
31	2	119515-61440	LEVER, CONTROL	1							
69	2	158552-61700	SHIM SET	1							
74	2	119660-61901	STOPPER, SHAFT	1							
78	2	26106-060102	BOLT, M6X 10 PLATED	1							
79	2	26366-080002	NUT, M8	1							
87	2	119C00-61460	BOLT ASSY	1							
88	3	119C00-61470	SCREW, ADJUSTING	1							
89	3	119C00-61480	NUT, ARB	1							
90	2	158552-61900	O-RING	1							
92	2	22190-100002	WASHER, SEAL 10	1							
94	2	22372-040000	PIN, SNAP 4	1							
95	2	26106-060102	BOLT, M6X 10 PLATED	4							
96	2	26106-060142	BOLT, M6X 14 PLATED	2							
97	2	26106-060202	BOLT, M6X 20 PLATED	4							
98	2	26106-060452	BOLT, M6X 45 PLATED	3							
101	2	129630-77910	SOLENOID, STOP	1							

Remarks

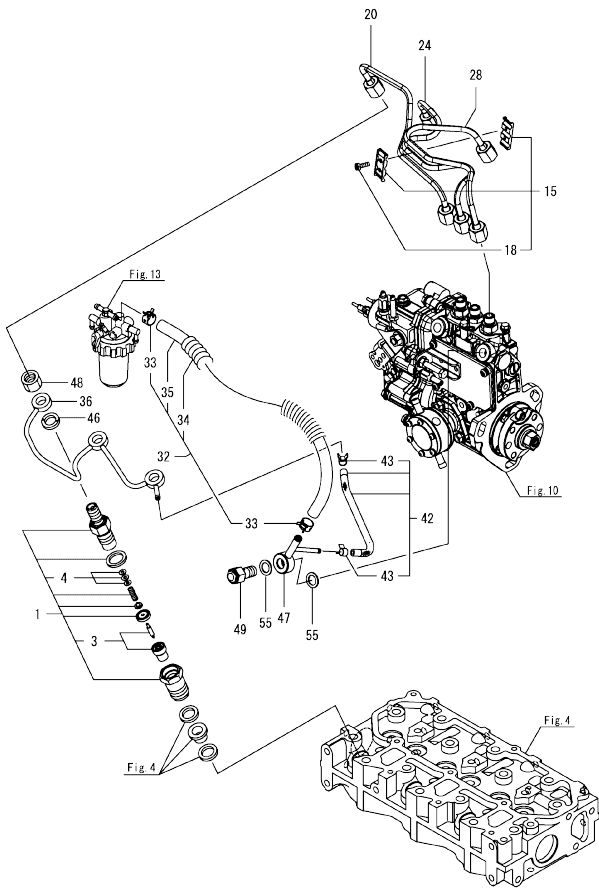
* This figure(Governor) is incorporated in the Fuel Injection Pump(Fig.10).

N:Old $\frac{100}{100}$ New, Q:Old $\frac{100}{100}$ New, R:Old $\frac{100}{100}$ New, S:Old $\frac{100}{100}$ New, W:Add, Z:Discontinued, F:Interchangeable by set, K:Q'ty Change
 Copyright (C) 2018 YANMAR CO., LTD. All Rights Reserved.

Fig.12. FUEL INJECTION VALVE

(A)=3TNV80F-NXDYA
(B)=
(C)=

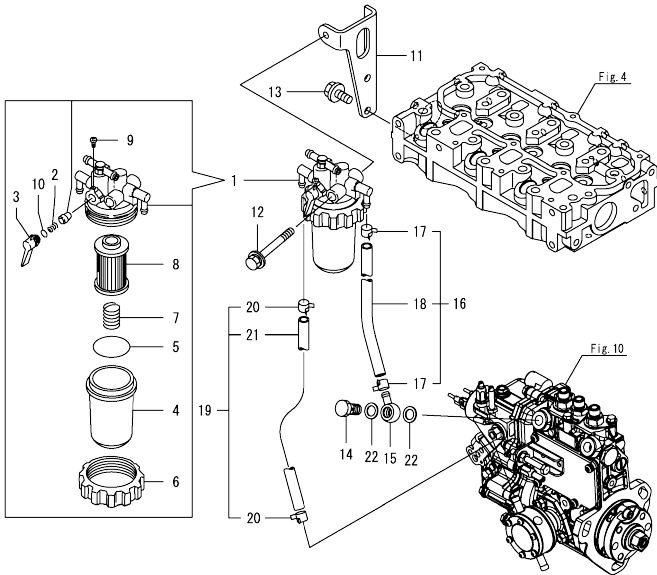
(D)=
(E)=
(F)=



No.	Lev.	Parts No.	Description	Q'ty						I	R
				(A)	(B)	(C)	(D)	(E)	(F)		
1	1	119C10-53000	VALVE ASSY, INJECTION	3							
3	2	119C10-53010	VALVE ASSY, INJECTION	3							
4	2	129901-53800	SHIM SET, ADJUSTING	3							1
15	1	129150-59120	RETAINER, PIPE	1							
18	2	129150-59131	BOLT, M4X14	2							
20	1	119E10-59810	PIPE ASSY, INJECTION	1							
24	1	119E10-59820	PIPE, INJECTION NO.2	1							
28	1	119E10-59830	PIPE, INJECTION NO.3	1							
32	1	129956-59010	HOSE ASSY, FUEL	1							
33	2	124766-59050	CLAMP, HOSE 11.5	2							
34	2	129957-59101	TUBE, CORRUGATED 15	1							
35	2	105225-59511	HOSE, FUEL	1							
36	1	119717-59510	PIPE ASSY, RETURN	1							
42	1	119744-59560	HOSE ASSY, RETURN	1							
43	2	124066-59100	CLAMP, HOSE 8	2							
46	1	129901-59560	GASKET, FUEL RETURN	3							
47	1	119740-59590	JOINT, OVERFLOW	1							
48	1	119620-59700	NUT, NOZZLE RETURN	3							
49	1	119813-59950	VALVE ASSY, CHECK	1							
55	1	22190-120002	WASHER, SEAL 12	2							

Remarks
(1)Spare parts.

Fig.13. FUEL PIPE

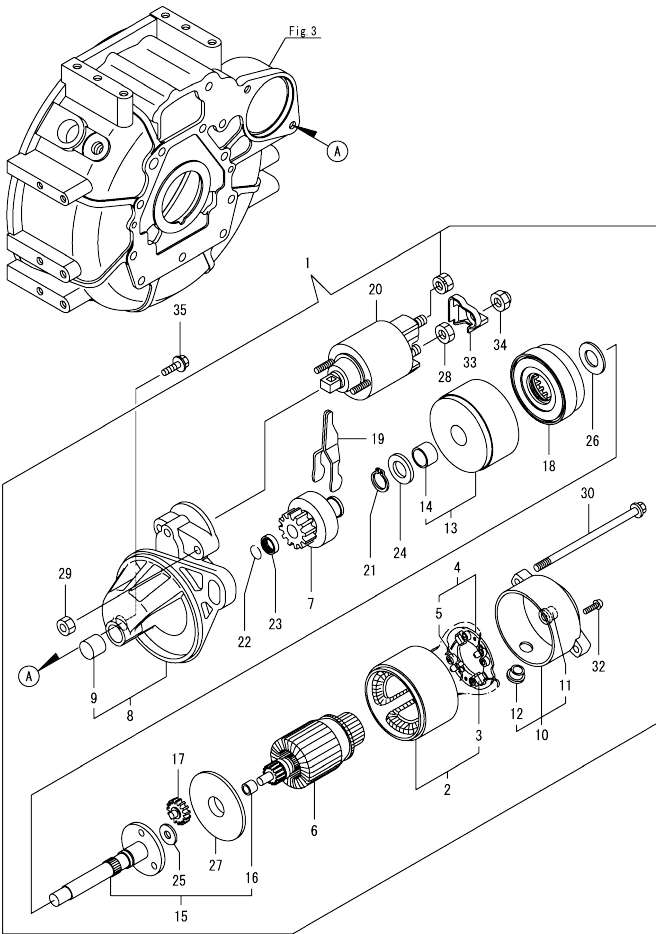


(A)=3TNV80F-NXDYA
(B)=
(C)=

(D)=
(E)=
(F)=

No.	Lev.	Parts No.	Description	Q'ty					
				(A)	(B)	(C)	(D)	(E)	(F)
1	1	119833-55621	FILTER ASSY, FUEL	1					
2	2	104200-55330	SPRING, FUEL VALVE	1					
3	2	119810-55340	LEVER, FUEL	1					
4	2	121254-55510	CUP, FUEL STARINER	1					
5	2	102103-55520	O-RING, FILTER	1					
6	2	110250-55610	RING, CUP RETAINING	1					
7	2	121250-55620	SPRING, ELEMENT	1					
8	2	119810-55650	ELEMENT, FUEL FILTER	1					
9	2	104200-55750	SCREW, M4	1					
10	2	24311-240100	O-RING, 1AP10A	1					
11	1	119717-55650	BRACKET, FILTER	1					
12	1	26014-080702	BOLT, M8X 70	1					
13	1	26106-080162	BOLT, M8X 16 PLATED	2					
14	1	103854-39140	BOLT, PIPE JOINT	1					
15	1	101304-59020	JOINT, PIPE 12	1					
16	1	129210-59080	HOSE ASSY, FUEL L270	1					
17	2	124766-59050	CLAMP, HOSE 11.5	2					
18	2	129136-59110	HOSE, D13/7.5X270	1					
19	1	129210-59170	HOSE ASSY, FUEL L440	1					
20	2	124766-59050	CLAMP, HOSE 11.5	2					
21	2	105225-59511	HOSE, FUEL	1					
22	1	22190-120002	WASHER, SEAL 12	2					

Fig.14. STARTER MOTOR

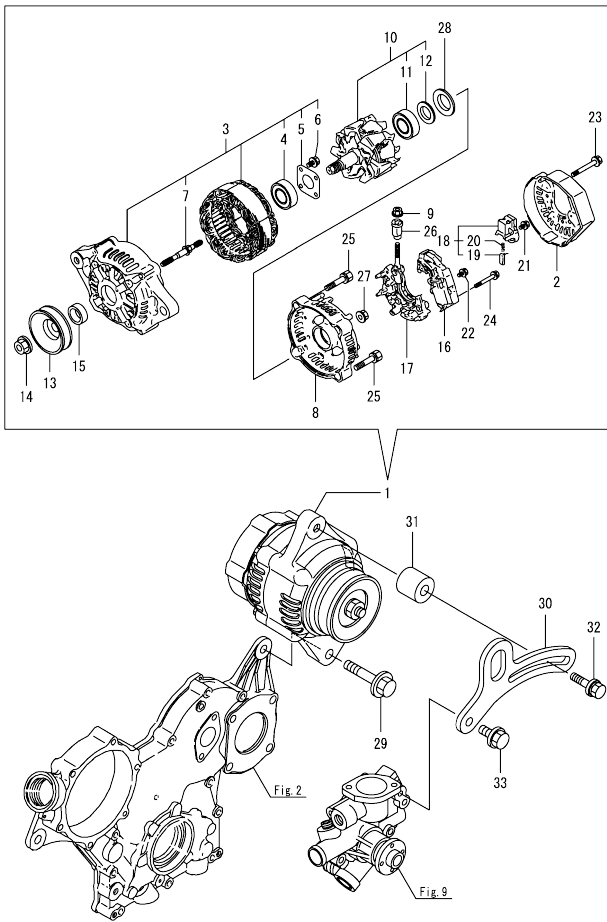


(A)=3TNV80F-NXDYA
(B)=
(C)=

(D)=
(E)=
(F)=

No.	Lev.	Parts No.	Description	Q'ty						I	R
				(A)	(B)	(C)	(D)	(E)	(F)		
1	1	119717-77010	STARTER, P1.1	1							
2	2	X0281007750	YOKE ASSY	1							
3	3	X0280996180	STARTER KIT	2							
4	2	X0285105190	HOLDER ASSY	1							
5	3	X0285205030	SPRING	4							
6	2	X0282005991	ARMATURE ASSY	1							
7	2	X0283006960	CLUTCH	1							
8	2	X4284001590	HOUSING ASSY	1							
9	3	X9491050100	BEARING, NEEDLE	1							
10	2	X0285007030	FRAME ASSY	1							
11	3	X9491040990	BEARING	1							
12	3	X0280626010	COVER	1							
13	2	X0284105040	BEARING ASSY, SUB	1							
14	3	X9491034330	BEARING	1							
15	2	X0286105010	SHAFT ASSY, SUB	1							
16	3	X9491034320	BEARING	1							
17	2	X0286305010	GEAR	3							
18	2	X0286355010	GEAR	1							
19	2	X0287405140	LEVER	1							
20	2	X2534000090	SWITCH ASSY	1							
21	2	X9055715000	RING	1							
22	2	X9490721360	RING	1							
23	2	X0280210331	NUT	1							
24	2	X9490138110	WASHER	1							
25	2	X9490138090	WASHER	1							
26	2	X9490138100	WASHER	1							
27	2	X0284525010	PLATE	1							
28	2	X9490562360	NUT	1							
29	2	X9490560750	NUT	2							
30	2	X9490423420	BOLT, THROUGH	2							
32	2	X9490065670	SCREW, M4X6	2							
33	2	X1280330020	COVER, TERMINAL	1							
34	2	X1289510130	NUT	1							
35	1	26106-100252	BOLT, M10X 25 PLATED	2							

Fig.15. GENERATOR



(A)=3TNV80F-NXDYA
(B)=
(C)=

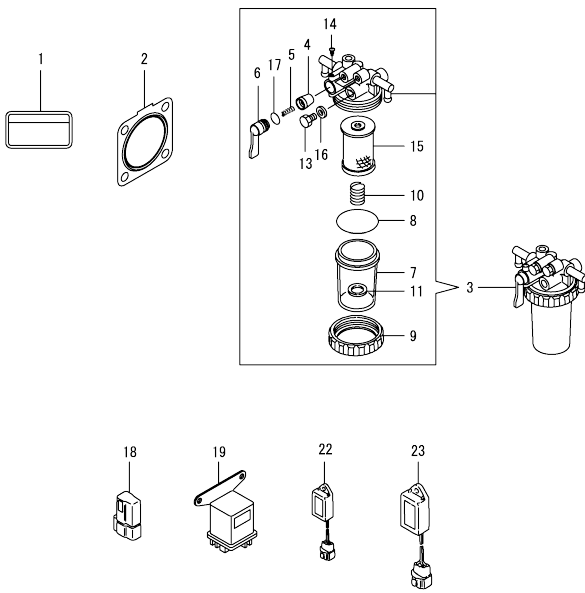
(D)=
(E)=
(F)=

No.	Lev.	Parts No.	Description	Q'ty						I	R
				(A)	(B)	(C)	(D)	(E)	(F)		
1	1	119751-77210	ALTERNATOR, 12V-40A	1							
2	2	129240-79300	COVER	1							
3	2	129052-77422	FRAME ASSY	1							
4	3	119620-79200	BEARING, BALL	1							
5	3	119620-79210	PLATE, RETAINER	1							
6	3	119620-79220	SCREW	4							
7	3	119620-79230	STUD	2							
8	2	119751-77440	FRAME ASSY, REAR	1							
9	2	X9490561001	NUT	1							
10	2	119620-77380	ROTOR ASSY	1							
11	3	123501-79240	BEARING, BALL	1							
12	3	119620-79250	COVER, BEARING	1							
13	2	119620-77461	PULLEY, GENERATOR	1							
14	2	119620-77471	NUT	1							
15	2	119620-77490	COLLAR	1							
16	2	129423-77720	REGULATOR ASSY	1							
17	2	119620-79260	HOLDER ASSY	1							
18	2	129052-79270	HOLDER ASSY, BRUSH	1							
19	3	119620-77480	BRUSH ASSY, SUB	2							
20	3	119620-79280	SPRING	2							
21	2	119620-79290	SCREW	6							
22	2	119620-79300	SCREW	1							
23	2	119620-79310	BOLT	3							
24	2	119620-79320	SCREW, WWASHER	2							
25	2	119620-79330	BOLT	2							
26	2	119620-79340	BUSH, INSULATION	1							
27	2	119620-79350	NUT	2							
28	2	119620-79360	WASHER, THRUST	1							
29	1	26106-100452	BOLT, M10X 45 PLATED	1							
30	1	119230-77330	ADJUSTER, BELT	1							
31	1	124732-77340	SPACER, ADJUSTER	1							
32	1	129972-77341	BOLT, ADJUSTER L=50	1							
33	1	26106-080202	BOLT, M8X 20 PLATED	1							

Fig.16. ACCESSORY

(A)=3TNV80F-NXDYA
(B)=
(C)=

(D)=
(E)=
(F)=



No.	Lev.	Parts No.	Description	Q'ty					
				(A)	(B)	(C)	(D)	(E)	(F)
1	1	114110-07761	LABEL, FUEL CAUTION	1					
2	1	119515-13200	GASKET, SILENCER	1					
3	1	129335-55701	SEPARATOR ASSY,WATER	1					
4	2	104200-55321	VALVE, TAPER	1					
5	2	104200-55330	SPRING, FUEL VALVE	1					
6	2	104200-55341	HANDLE, COCK	4					
7	2	124064-55510	CUP, FUEL STARINER	2					
8	2	102103-55520	O-RING, FILTER	1					
9	2	110250-55610	RING, CUP RETAINING	1					
10	2	121257-55720	SPRING, ELEMENT	1					
11	2	121257-55731	FLOAT	1					
13	2	101720-55750	PLUG, HEXAGON M6	1					
14	2	104200-55750	SCREW, M4	1					
15	2	171081-55910	FILTER, FUEL 100M	1					
16	2	23418-060000	GASKET, 6X1.0	1					
17	2	24311-240100	O-RING, 1AP10A	1					
18	1	119643-66900	DIODE	1					
19	1	119650-77911	RELAY ASSY, GLOW	2					
22	1	129155-77925	TIMER, SECTION 4	1					
23	1	129211-77920	TIMER, SECTION 1	3					

Parts No. Index

Parts No.	Fig. No.	Ref. No.
101304-59020	13	15
101720-55750	16	13
102103-55520	13	5
	16	8
103854-39140	13	14
104200-55321	16	4
104200-55330	13	2
	16	5
104200-55341	16	6
104200-55750	13	9
	16	14
105010-11490	4	3
105225-59511	12	35
	13	21
105311-01090	1	4
105425-01690	3	11
110250-55610	13	6
	16	9
114110-07761	16	1
114250-39450	8	11
119131-18320	5	5
119230-77330	15	30
119285-01990	1	6
119285-11990	4	11
119305-35170	8	17
119515-13200	16	2
119515-61440	11	31
119600-11460	4	2
119620-01750	3	5
119620-02020	1	7
119620-11280	4	26
119620-14200	6	1
119620-59700	12	48
119620-77380	15	10
119620-77461	15	13
119620-77471	15	14
119620-77480	15	19
119620-77490	15	15
119620-79200	15	4
119620-79210	15	5
119620-79220	15	6
119620-79230	15	7
119620-79250	15	12
119620-79260	15	17
119620-79280	15	20
119620-79290	15	21
119620-79300	15	22
119620-79310	15	23
119620-79320	15	24
119620-79330	15	25

Parts No.	Fig. No.	Ref. No.
119620-79340	15	26
119620-79350	15	27
119620-79360	15	28
119621-21681	7	12
119623-01250	1	5
119624-32040	2	18
119643-66900	16	18
119650-77911	16	19
119660-01911	2	17
119660-61901	11	74
119717-01570	2	2
119717-01611	3	2
119717-01720	3	9
119717-01750	2	16
119717-01770	3	10
119717-01800	2	7
119717-02411	1	10
119717-02930	1	23
119717-03031	4	36
119717-03070	4	37
		38
119717-11131	4	15
119717-11190	4	17
119717-11200	4	21
119717-11240	4	22
119717-11260	4	25
119717-11320	4	46
119717-11331	4	47
119717-11340	4	18
119717-11350	4	19
119717-11381	4	35
119717-11650	4	27
119717-11800	4	56
119717-13109	5	1
119717-13110	5	2
119717-13600	5	3
119717-14400	6	2
119717-14581	6	3
119717-21200	7	4
119717-23200	7	31
119717-23601	7	32
119717-23611	7	35
119717-23910	7	34
119717-25050	6	9
119717-25101	6	10
119717-25911	6	23
119717-25930	6	15
119717-32050	2	19
119717-32060	8	5
119717-32080	2	9

Parts No.	Fig. No.	Ref. No.
119717-32100	2	8
119717-32110	2	13
119717-32120	2	14
119717-34801	8	1
119717-35080	8	6
119717-35140	8	3
119717-39210	8	12
119717-42020	9	13
119717-42031	9	3
119717-42041	9	4
119717-42350	9	17
119717-44740	9	19
119717-49800	9	23
119717-51150	6	24
119717-51420	10	69
119717-51711	10	94
119717-51761	10	99
119717-51860	10	111
119717-51930	11	12
119717-55650	13	11
119717-59510	12	36
119717-61050	11	13
119717-61060	11	1
119717-61070	11	14
119717-77010	14	1
119717-77801	4	54
119717-77820	4	55
119718-11310	4	45
119740-01521	2	5
119740-01580	2	3
119740-59590	12	47
119742-01500	2	1
119742-26071	6	20
119742-26080	6	21
119744-26000	6	16
119744-59560	12	42
119751-77210	15	1
119751-77440	15	8
119802-03100	4	39
119802-03110	4	40
119802-03121	4	41
119802-03131	4	42
119802-03141	4	43
119802-32130	2	15
119810-01200	1	26
119810-02941	1	34
119810-55340	13	3
119810-55650	13	8
119813-59950	12	49
119833-55621	13	1

Parts No.	Fig. No.	Ref. No.
119865-21600	7	10
119888-01850	3	4
119888-21450	7	16
119C00-61460	11	87
119C00-61470	11	88
119C00-61480	11	89
119C10-21650	7	11
119C10-21930	7	13
119C10-21940	7	14
119C10-42320	9	9
119C10-53000	12	1
119C10-53010	12	3
119E00-01560	1	1
119E10-01330	1	27
119E10-11100	4	13
119E10-11110	4	14
119E10-11750	4	4
119E10-21700	7	1
119E10-22300	7	26
119E10-22500	7	22
119E10-22550	7	38
119E10-23000	7	28
119E10-42000	9	1
119E10-59810	12	20
119E10-59820	12	24
119E10-59830	12	28
119E11-22080	7	20
119E11-22900	7	37
119E17-21570	7	8
119E17-51750	10	95
119E17-51760	10	96
121023-01551	2	31
121111-21501	7	7
121250-44901	9	27
121250-55620	13	7
121254-55510	13	4
121257-55720	16	10
121257-55731	16	11
121450-42450	9	26
121520-34810	8	2
121850-51960	2	20
122710-51090	10	10
123501-79240	15	11
124060-01050	1	11
124064-55510	16	7
124066-59100	12	43
124085-02220	3	6
124160-01751	2	29
	4	34
124160-01910	1	12

Parts No. Index

Parts No.	Fig. No.	Ref. No.
124465-44950	9	28
		29
124732-77340	15	31
124766-59050	12	33
	13	17
		20
129001-32320	2	11
129001-32330	2	12
129005-59830	8	13
129052-77422	15	3
129052-79270	15	18
129100-01580	3	1
	7	2
129100-52101	10	115
129136-59110	13	18
129150-11230	4	28
129150-11750	4	30
129150-25301	6	14
129150-59120	12	15
129150-59131	12	18
129155-51020	10	6
129155-51280	10	59
		60
	11	16
129155-51400	10	67
129155-51580	10	91
129155-51701	10	93
129155-52051	10	114
129155-61461	10	97
129155-77925	16	22
129210-59080	13	16
129210-59170	13	19
129211-77920	16	23
129240-79300	15	2
129335-55701	16	3
129350-26490	6	18
129350-49530	9	22
129423-77720	15	16
129508-11180	4	16
129630-77910	11	101
129900-32130	2	10
129901-11450	4	1
129901-53800	12	4
129901-59560	12	46
129916-49740	9	10
129956-59010	12	32
129957-59101	12	34
129972-77341	15	32
129E00-13610	5	4
158552-61700	11	69

Parts No.	Fig. No.	Ref. No.
158552-61900	11	90
158600-51270	10	58
158600-51410	10	68
158600-51420	10	70
158600-51570	10	90
158600-51790	10	100
171056-49120	9	25
171081-55910	16	15
171353-44760	9	20
22190-080002	8	14
		16
22190-100002	11	92
22190-120002	12	55
	13	22
22190-160002	3	13
	10	102
22217-120000	10	103
22242-000120	4	31
22252-000220	7	27
22351-060012	4	20
22372-040000	11	94
22512-040120	7	5
		15
22857-500100	4	48
		49
22857-500160	4	50
23414-080000	9	14
23418-060000	16	16
23857-030000	8	15
23876-005000	4	12
23876-030000	2	6
24104-060054	6	19
24104-062054	7	18
24311-000320	2	30
	4	51
24311-240100	13	10
	16	17
24341-000240	2	32
25132-003700	9	18
26014-080702	13	12
26022-050122	10	108
26106-060102	8	10
	11	78
		95
26106-060122	2	21
	6	8
26106-060142	11	96
26106-060162	2	22
		33
26106-060202	4	52

Parts No.	Fig. No.	Ref. No.
26106-060202	11	97
26106-060352	6	13
	9	21 -1
26106-060402	2	23
		24
	9	21
26106-060452	11	98
26106-060602	2	25
26106-060652	2	26
26106-060752	4	53
26106-080122	3	14
	9	15
26106-080162	6	22
	13	13
26106-080202	9	24
	15	33
26106-080222	7	19
26106-080302	3	15
26106-080352	2	27
26106-080402	4	33
26106-080452	3	16
26106-080502	3	17
	9	16
26106-100252	14	35
26106-100452	15	29
26206-100252	3	7
26206-100302	3	8
26306-080002	2	28
	5	6
26366-060002	10	98
26366-080002	11	79
26577-060122	9	11
26716-120002	10	110
26979-050162	4	32
27241-120000	1	13
27241-250000	9	12
719717-02901	1	28
719717-02911	1	31
719740-01510	2	4
719E17-51320	10	1
X0280210331	14	23
X0280626010	14	12
X0280996180	14	3
X0281007750	14	2
X0282005991	14	6
X0283006960	14	7
X0284105040	14	13
X0284525010	14	27
X0285007030	14	10
X0285105190	14	4

Parts No.	Fig. No.	Ref. No.
X0285205030	14	5
X0286105010	14	15
X0286305010	14	17
X0286355010	14	18
X0287405140	14	19
X1280330020	14	33
X1289510130	14	34
X2534000090	14	20
X4284001590	14	8
X9055715000	14	21
X9490065670	14	32
X9490138090	14	25
X9490138100	14	26
X9490138110	14	24
X9490423420	14	30
X9490560750	14	29
X9490561001	15	9
X9490562360	14	28
X9490721360	14	22
X9491034320	14	16
X9491034330	14	14
X9491040990	14	11
X9491050100	14	9