

0CD50-M02750EN

P R E F A C E

This parts catalog is the 1st edition of 3TNV80F-SXXDLST for LS Mtron Ltd..

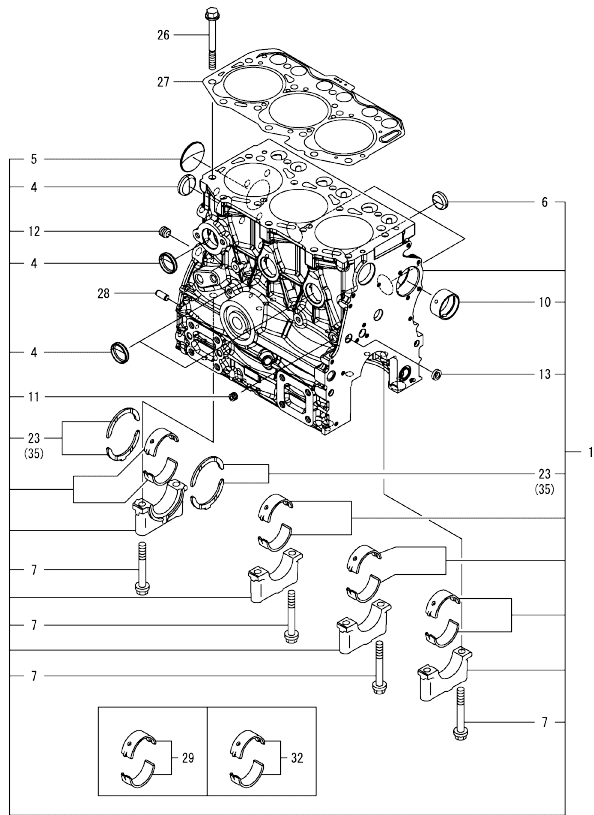
Published : October, 2016

Contents

OCD50-M02750

Fig. No.	Fig. Name	Fig. No.	Fig. Name
ENGINE			
1.	CYLINDER BLOCK		
2.	GEAR HOUSING		
3.	OIL SUMP		
4.	CYLINDER HEAD & BONNET		
5.	EXHAUST MANIFOLD		
6.	CAMSHAFT & DRIVING GEAR		
7.	CRANKSHAFT & PISTON		
8.	LUB. OIL SYSTEM		
9.	COOLING WATER SYSTEM		
10.	FUEL INJECTION PUMP		
11.	GOVERNOR		
12.	FUEL INJECTION VALVE		
13.	FUEL PIPE		
14.	STARTER MOTOR		
15.	GENERATOR		
16.	ACCESSORY		

Fig.1. CYLINDER BLOCK



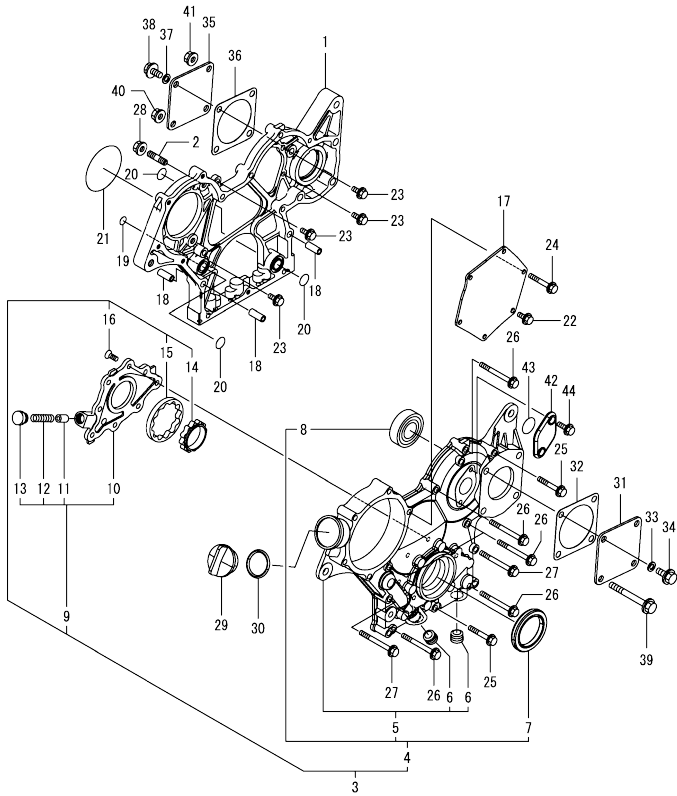
(A)=3TNV80F-SXXDLST
(B)=
(C)=

(D)=
(E)=
(F)=

No.	Lev.	Parts No.	Description	Q'ty						I	R
				(A)	(B)	(C)	(D)	(E)	(F)		
1	1	119E00-01560	BLOCK ASSY, CYLINDER	1							
4	2	105311-01090	PLUG, CUP TYPE 30	4							
5	2	119623-01250	PLUG, DISH TYPE 45	1							
6	2	119285-01990	PLUG, CUP TYPE 25	3							
7	2	119620-02020	BOLT, METAL CAP	8							
10	2	119717-02411	BUSH, CAMSHAFT	1							
11	2	124060-01050	PLUG, PT1/8	1							
12	2	124160-01910	PLUG, PT1/4	1							
13	2	27241-120000	PLUG, 12	1							
23	2	119717-02930	BEARING ASSY, THRUST	2							
26	1	119810-01200	BOLT, CYLINDER HEAD	14							
27	1	119E10-01330	GASKET SET, HEAD	1							
28	1	129100-01580	PIN, PARALLEL 8X16	2							
29	1	719717-02901	BEARING ASSY, MAIN	4							1
32	1	719717-02911	BEARING ASSY, MAIN	4							2
35	1	119810-02941	BEARING, THRUST 0.25	2							3

Remarks
 (1)Spare parts.
 (2)Under-sized(U.S.=0.25) parts.
 (3)Over-sized(O.S.=0.25) parts.

Fig.2. GEAR HOUSING



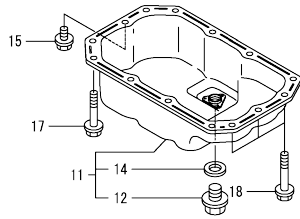
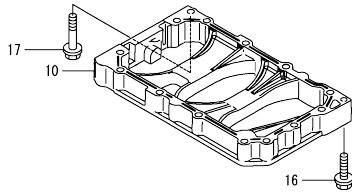
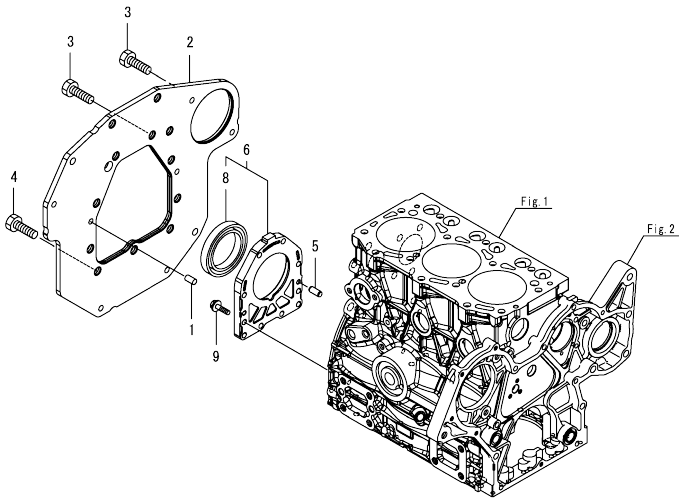
(A)=3TNV80F-SXXDLST
(B)=
(C)=

(D)=
(E)=
(F)=

No.	Lev.	Parts No.	Description	Q'ty						I	R
				(A)	(B)	(C)	(D)	(E)	(F)		
1	1	119740-01501	CASE, GEAR	1							
2	1	119717-01570	BOLT, STUD	3							
3	1	119751-01590	COVER ASSY,GEAR CASE	1							
4	2	719751-01500	COVER ASSY,GEAR CASE	1							
5	3	119751-01521	COVER, GEAR CASE	1							
6	4	23876-030000	PLUG, R03	2							
7	3	119717-01800	SEAL, OIL	1							
8	3	24101-062024	BEARING, BALL 6202	1							
9	2	119717-32100	COVER ASSY	1							
10	3	119717-32080	COVER, PUMP	1							
11	3	129900-32130	VALVE, RELIEF	1							
12	3	129001-32320	SPRING	1							
13	3	129001-32330	PLUG	1							
14	2	119717-32110	ROTOR, INNER	1							
15	2	119717-32120	ROTOR, OUTER	1							
16	2	119802-32130	SCREW, M6X16	8							
17	1	119717-01750	COVER, PUMP	1							
18	1	119660-01911	PIPE, DOWEL 6X17	4							
19	1	119624-32040	O-RING, P12.0	1							
20	1	119717-32050	O-RING, P17.0	3							
21	1	121850-51960	O-RING	1							
22	1	26106-060122	BOLT, M6X 12 PLATED	1							
23	1	26106-060162	BOLT, M6X 16 PLATED	4							
24	1	26106-060402	BOLT, M6X 40 PLATED	4							
25	1	26106-060402	BOLT, M6X 40 PLATED	2							
26	1	26106-060602	BOLT, M6X 60 PLATED	7							
27	1	26106-060652	BOLT, M6X 65 PLATED	2							
28	1	26306-080002	NUT, M8	3							
29	1	124160-01751	CAP, FILLER	1							
30	1	24311-000320	O-RING, 1AP32.0	1							
31	1	124240-01871	COVER, PUMP	1							
32	1	129C26-01890	GASKET, HO-P	1							
33	1	22190-080002	WASHER, SEAL 8	1							
34	1	26106-080122	BOLT, M8X 12 PLATED	1							
35	1	124240-01871	COVER, PUMP	1							
36	1	129C26-01890	GASKET, HO-P	1							
37	1	22190-080002	WASHER, SEAL 8	1							
38	1	26106-080142	BOLT, M8X 14 PLATED	1							
39	1	26106-080702	BOLT, M8X 70 PLATED	3							
40	1	26306-080002	NUT, M8	1							
41	1	26306-080002	NUT, M8	2							
42	1	121023-01551	COVER	1							
43	1	24341-000240	O-RING, 1AS24.0	1							
44	1	26106-060162	BOLT, M6X 16 PLATED	2							

OCD50-M02750 ENGINE
Fig.3. OIL SUMP

OCD50-M02750 Fig.3

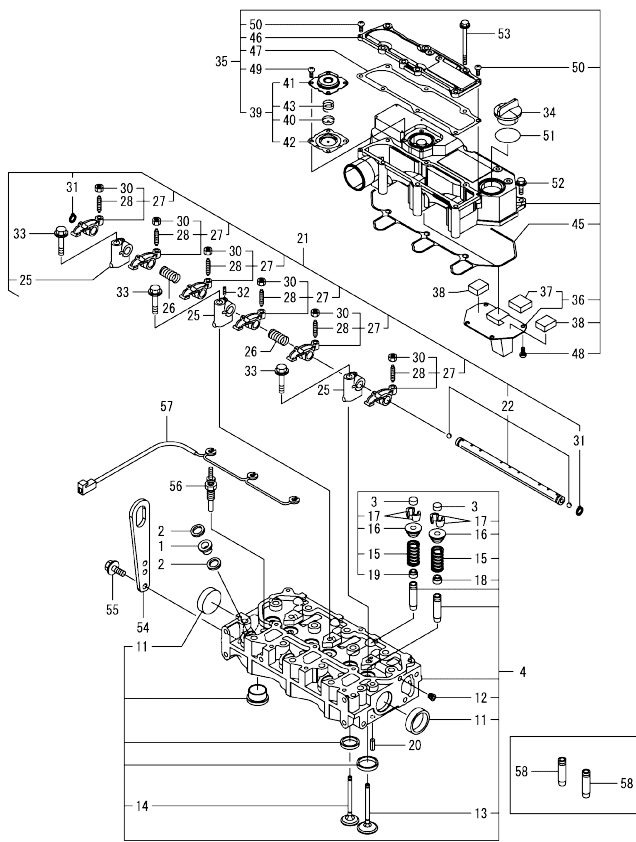


(A)=3TNV80F-SXXDLST
 (B)=
 (C)=

(D)=
 (E)=
 (F)=

No.	Lev.	Parts No.	Description	Q'ty						I	R
				(A)	(B)	(C)	(D)	(E)	(F)		
1	1	129100-01580	PIN, PARALLEL 8X16	2							
2	1	119E10-01600	FLANGE, MOUNTING	1							
3	1	26206-100202	BOLT, M10X 20 PLATED	9							
4	1	26206-100252	BOLT, M10X 25 PLATED	3							
5	1	119620-01620	PIN, PARALLEL M6X10	2							
6	1	119660-01640	CASE ASSY, OIL SEAL	1							
8	2	124085-02220	SEAL, METAL HOUSING	1							
9	1	26106-060222	BOLT, M6X 22 PLATED	10							
10	1	119717-01720	SPACER, OIL PAN	1							
11	1	119734-01780	OIL PAN ASSY	1							
11-1	1	119734-01790	OIL PAN ASSY	1							N
(A=E20717)											
12	2	105425-01690	PLUG, DRAIN M16	1							
12-1	2	119027-01650	PLUG, DRAIN 16	1							N
(A=E20717)											
14	2	22190-160002	WASHER, SEAL 16	1							
15	1	26106-080122	BOLT, M8X 12 PLATED	1							
16	1	26106-080302	BOLT, M8X 30 PLATED	1							
17	1	26106-080452	BOLT, M8X 45 PLATED	11							
18	1	26106-080502	BOLT, M8X 50 PLATED	3							

Fig.4. CYLINDER HEAD & BONNET



(A)=3TNV80F-SXXDLST
(B)=
(C)=

(D)=
(E)=
(F)=

No.	Lev.	Parts No.	Description	Q'ty						I	R
				(A)	(B)	(C)	(D)	(E)	(F)		
1	1	129901-11450	PROTECTOR, NOZZLE	3							
2	1	119600-11460	GASKET, NOZZLE	6							
3	1	105010-11490	CAP, VALVE	6							
4	1	119E10-11750	HEAD ASSY, CYLINDER	1							
11	2	119285-11990	PLUG, CUP TYPE 35	2							
12	2	23876-005000	PLUG, R005	1							
13	2	119E10-11100	VALVE, SUCTION	3							
14	2	119E10-11110	VALVE, EXHAUST	3							
15	2	119717-11131	SPRING, VALVE	6							
16	2	129508-11180	RETAINER, SPRING	6							
17	2	119717-11190	COTTER, VALVE	12							
18	2	119717-11340	SEAL, VALVE STEM	3							
19	2	119717-11350	SEAL, VALVE STEM	3							
20	1	22351-060012	PIN, SPRING 6.0X12	2							
21	1	119717-11200	SUPPORT ASSY, ROCKER	1							
22	2	119717-11240	SHAFT ASSY, ROCKER	1							
25	2	119717-11260	SUPPORT, ROCKER ARM	3							
26	2	119620-11280	SPRING, ROCKER	2							
27	2	119717-11650	ARM ASSY, ROCKER	6							
28	3	129150-11230	SCREW, VALVE ADJUST	6							
30	3	129150-11750	NUT, M8	6							
31	2	22242-000120	RING, 12	2							
32	2	26979-050162	SCREW, M5X16	1							
33	1	26106-080402	BOLT, M8X 40 PLATED	3							
34	1	124160-01751	CAP, FILLER	1							
35	1	119717-11381	BONNET ASSY, HEAD	1							
36	2	119717-03031	PLATE, BAFFLE	1							
37	3	119717-03070	BAFFLE, BREATHER	1							
38	2	119717-03070	BAFFLE, BREATHER	2							
39	2	119802-03100	DIAPHRAGM ASSY	1							
40	3	119802-03110	PLATE, DIAPHRAGM	1							
41	3	119802-03121	COVER, DIAPHRAGM	1							
42	3	119802-03131	DIAPHRAGM	1							
43	3	119802-03141	SPRING, DIAPHRAGM	1							
45	2	119718-11310	GASKET, BONNET	1							
46	2	119717-11320	COVER, BONNET	1							
47	2	119717-11331	GASKET	1							
48	2	22857-500100	SCREW, 5X10	4							
49	2	22857-500100	SCREW, 5X10	4							
50	2	22857-500160	SCREW, 5X16	2							
51	1	24311-000320	O-RING, 1AP32.0	1							
52	1	26106-060202	BOLT, M6X 20 PLATED	3							
53	1	26106-060752	BOLT, M6X 75 PLATED	6							
54	1	129900-07900	LIFTER, ENGINE	1							
55	1	26106-080162	BOLT, M8X 16 PLATED	2							
56	1	119717-77801	PLUG, GLOW	3							
57	1	119717-77820	CONNECTOR, GLOW PLUG	1							
58	1	119717-11800	GUIDE, VALVE	6							1

Remarks
(1)Spare parts.

Fig.5. EXHAUST MANIFOLD

(A)=3TNV80F-SXXDLST
(B)=
(C)=

(D)=
(E)=
(F)=

No.	Lev.	Parts No.	Description	Q'ty						I	R
				(A)	(B)	(C)	(D)	(E)	(F)		
1	1	119740-13100	MANIFOLD, EXHAUST	1							
2	1	119717-13110	GASKET, EXH MANIFOLD	1							
3	1	119717-13600	BOLT, STUD M8X50	2							
4	1	129E00-13610	BOLT, M8X50 10.9	2							
5	1	129E00-13630	BOLT, M8X71 10.9T	2							
6	1	119131-18320	BOLT, STUD M8X22	4							
7	1	26306-080002	NUT, M8	2							

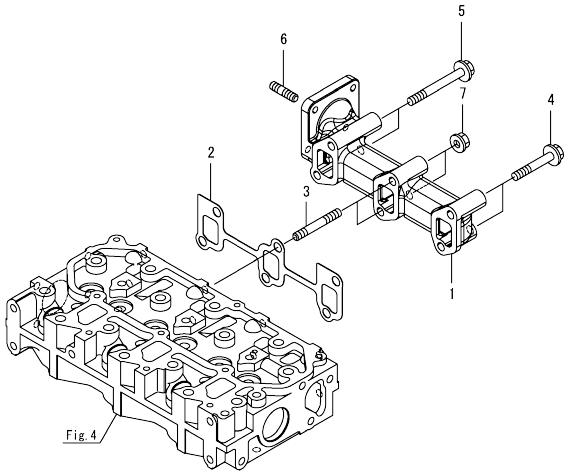
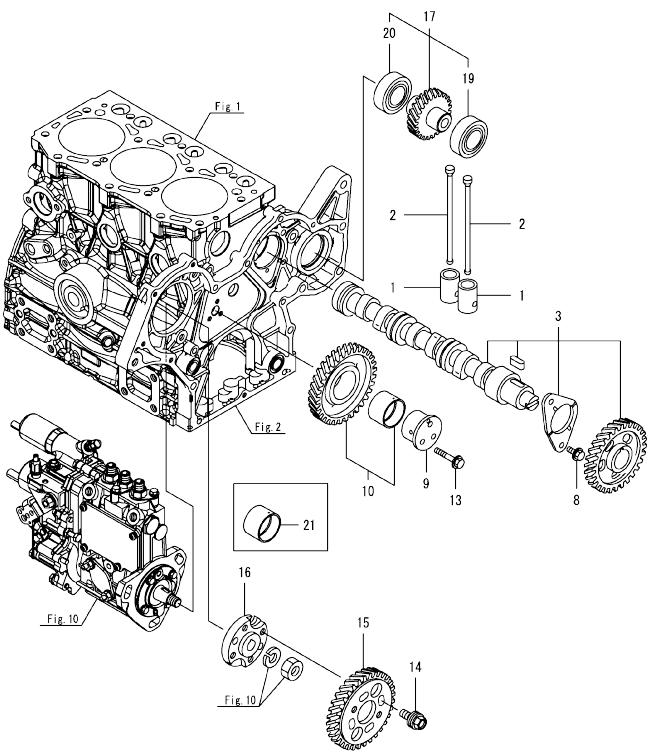


Fig. 4

Fig.6. CAMSHAFT & DRIVING GEAR



(A)=3TNV80F-SXXDLST
(B)=
(C)=

(D)=
(E)=
(F)=

No.	Lev.	Parts No.	Description	Q'ty						I	R
				(A)	(B)	(C)	(D)	(E)	(F)		
1	1	119620-14200	TAPPET	6							
2	1	119717-14400	PUSH-ROD	6							
3	1	119717-14581	CAMSHAFT ASSY	1							
8	1	26106-060122	BOLT, M6X 12 PLATED	2							
9	1	119717-25050	SHAFT, IDLE	1							
10	1	119717-25101	GEAR ASSY, IDLE	1							
13	1	26106-060352	BOLT, M6X 35 PLATED	3							
14	1	129150-25301	BOLT	4							
15	1	119717-25930	GEAR, PUMP	1							
16	1	119717-51150	FLANGE	1							
17	1	119717-26000	GEAR ASSY, PUMP	1							
19	2	129350-26490	BEARING, BALL 16005	1							
20	2	24104-060054	BEARING, BALL 6005UU	1							
21	1	119717-25911	BUSH, IDLE GEAR	1							1

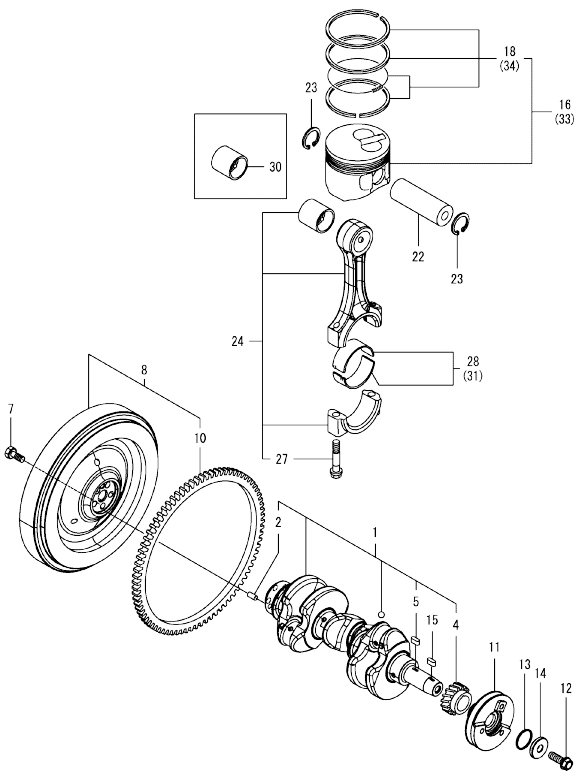
Remarks

(1)Spare parts.

Fig.7. CRANKSHAFT & PISTON

(A)=3TNV80F-SXXDLST
(B)=
(C)=

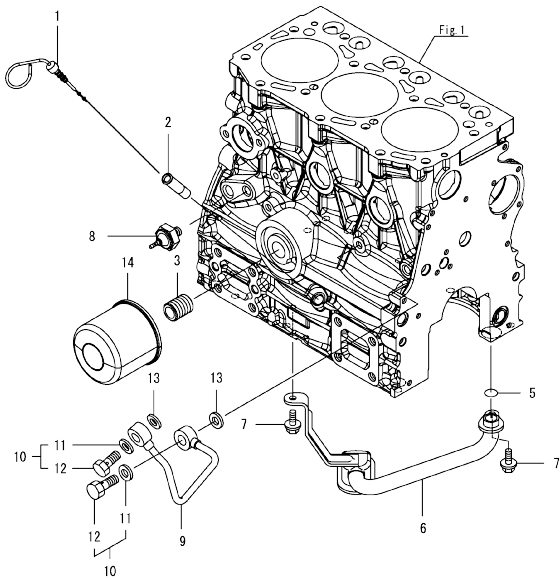
(D)=
(E)=
(F)=



No.	Lev.	Parts No.	Description	Q'ty						I	R
				(A)	(B)	(C)	(D)	(E)	(F)		
1	1	119E10-21700	CRANKSHAFT ASSY	1							
2	2	129100-01580	PIN, PARALLEL 8X16	1							
4	2	119717-21200	GEAR, CRANKSHAFT	1							
5	2	22512-040120	KEY, 4X 12	1							
7	1	121111-21501	BOLT, FLYWHEEL	5							
8	1	119E10-21590	FLYWHEEL ASSY	1							
10	2	119865-21600	GEAR, RING Z=116	1							
11	1	119E10-21650	V-PULLEY, CRANKSHAFT	1							
12	1	119621-21681	BOLT, FLANGE 12X1.25	1							
13	1	119C10-21930	GASKET, WASHER	1							
14	1	119C10-21940	WASHER, V-PULLEY	1							
15	1	22512-040120	KEY, 4X 12	1							
16	1	119E10-22080	PISTON ASSY	3							
18	2	119E10-22500	RING ASSY	3							
22	1	119E10-22300	PIN, PISTON	3							
23	1	22512-000220	RING, 22	6							
24	1	119E10-23000	ROD ASSY, CONNECTING	3							
27	2	119717-23200	BOLT, CONNECTING ROD	6							
28	1	119717-23601	BEARING, CRANK PIN	3							
30	1	119717-23910	BEARING, PISTON PIN	3							1
31	1	119717-23611	METAL ASSY, 0.25	3							2
33	1	119E10-22900	PISTON ASSY, 0.25 OS	3							3
34	2	119E10-22550	RING ASSY, 0.25	3							3

Remarks
(1)Spare parts.
(2)Under-sized(U.S.=0.25) parts.
(3)Over-sized(O.S.=0.25) parts.

Fig.8. LUB. OIL SYSTEM



(A)=3TNV80F-SXXDLST
(B)=
(C)=

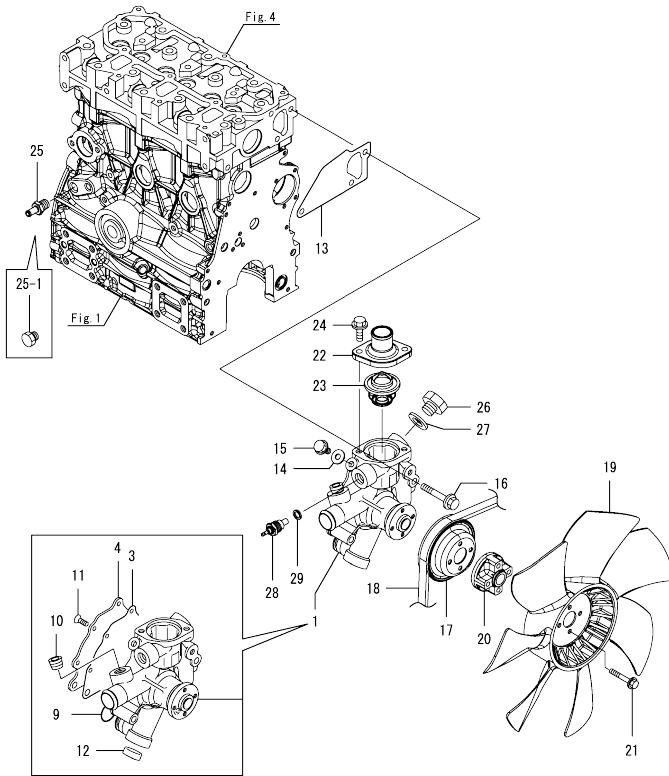
(D)=
(E)=
(F)=

No.	Lev.	Parts No.	Description	Q'ty						I	R
				(A)	(B)	(C)	(D)	(E)	(F)		
1	1	119E10-34800	DIPSTICK, LUB.OIL	1							
2	1	121520-34810	GUIDE, DIPSTICK	1							
3	1	119717-35140	BOLT, STUD	1							
5	1	119717-32060	O-RING, P15.0	1							
6	1	119734-35090	PIPE ASSY, OIL INLET	1							
7	1	26106-060102	BOLT, M6X 10 PLATED	2							
8	1	114250-39450	SWITCH, HYDRAULIC	1							
9	1	119717-39210	PIPE, OIL	1							
10	1	129005-59830	BOLT ASSY, JOINT M8	2							
11	2	22190-080002	WASHER, SEAL 8	2							
12	2	23857-030000	BOLT, JOINT 3	2							
13	1	22190-080002	WASHER, SEAL 8	2							
14	1	119305-35151	FILTER ASSY, D68XL65	1							1

Remarks

(1)Spare parts.

Fig.9. COOLING WATER SYSTEM

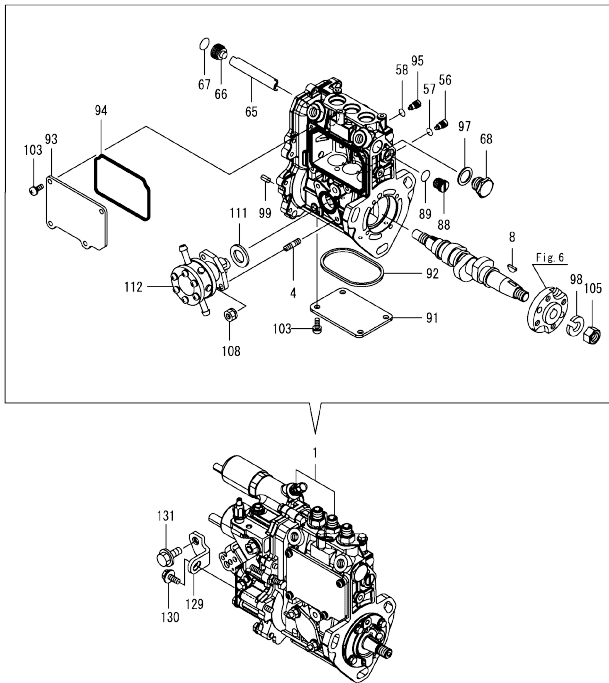


(A)=3TNV80F-SXXDLST
(B)=
(C)=

(D)=
(E)=
(F)=

No.	Lev.	Parts No.	Description	Q'ty						I	R
				(A)	(B)	(C)	(D)	(E)	(F)		
1	1	119751-42003	PUMP ASSY, WATER	1							
3	2	119751-42030	GASKET, WATER PUMP	1							
4	2	119751-42040	COVER, WATER PUMP	1							
9	2	119C10-42320	O-RING, 2028	1							
10	2	129916-49740	PLUG, R3/8	1							
11	2	26577-060122	SCREW, M6X12	5							
12	2	27241-250000	PLUG, 25	1							
13	1	119717-42020	GASKET, WATER PUMP	1							
14	1	23414-080000	GASKET, 8X1.0	1							
15	1	26106-080122	BOLT, M8X 12 PLATED	1							
16	1	26106-080502	BOLT, M8X 50 PLATED	3							
17	1	119717-42350	V-PULLEY, PUMP D=100	1							
18	1	25132-003700	V-BELT, A37	1							
19	1	119717-44740	FAN, COOLING D=335X7	1							
20	1	171353-44760	SPACER, FAN 25MM	1							
21	1	26106-060402	BOLT, M6X 40 PLATED	4							
22	1	129350-49530	COVER, THERMOSTAT	1							
23	1	119717-49800	THERMOSTAT, 71C	1							
24	1	26106-080202	BOLT, M8X 20 PLATED	2							
25	1	121550-49111	JOINT, PT1/4	1							
25-1	1	171056-49120	PLUG, DRAIN R1/4	1							N
(A=E18618)											
26	1	121450-42450	PLUG, M16	1							
27	1	124465-44950	GASKET, 16	1							
28	1	124250-49351	SENSOR, WATER TEMP.	1							
29	1	129150-49360	GASKET, 10	1							

Fig.10. FUEL INJECTION PUMP



(A)=3TNV80F-SXXDLST
(B)=
(C)=

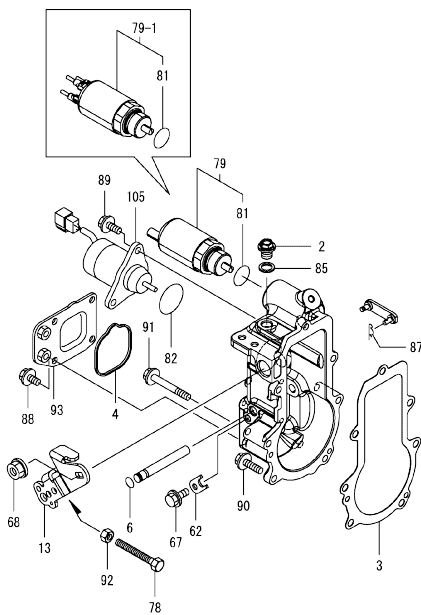
(D)=
(E)=
(F)=

No.	Lev.	Parts No.	Description	Q'ty						I	R	
				(A)	(B)	(C)	(D)	(E)	(F)			
1	1	719E10-51360	FIE ASSY	1							1	
4	2	129155-51020	STUD	2								
8	2	122710-51090	KEY, FEATHER	1								
56	2	158600-51270	STOPPER, TAPPET	3								
57	2	129155-51280	O-RING, S6	3								
58	2	129155-51280	O-RING, S6	1								
65	2	129155-51400	PROTECTOR	1								
66	2	158600-51410	PLUG, DEFLIFTER M12	1								
67	2	119717-51420	O-RING	1								
68	2	158600-51420	PLUG, DEFLIFTER M16	1								
88	2	158600-51570	PLUG, RACK	1								
89	2	129155-51580	O-RING	1								
91	2	129155-51701	COVER, PUMP BOTTOM	1								
92	2	119717-51711	GASKET, PUMP	1								
93	2	119717-51750	COVER, BODY SIDE	1								
94	2	119717-51761	GASKET, PUMP COVER	1								
95	2	158600-51790	STOPPER, RACK	1								
97	2	22190-160002	WASHER, SEAL 16	1								
98	2	22217-120000	WASHER, SPRING 12	1								
99	2	22351-050010	PIN, SPRING 5.0X10	2								
103	2	26022-050122	SCREW, M5X12	8								
105	2	26716-120002	NUT, M12	1								
108	2	119717-51860	NUT, M6	2								
111	2	129155-52051	GASKET, PUMP COVER	1								
112	2	129100-52101	PUMP ASSY, FUEL FEED	1								
129	1	119C10-51250	SUPPORT, FUEL PUMP	1								
129-1	1	119E10-51250	SUPPORT	1								N
		(A=E16505)										
130	1	26106-060142	BOLT, M6X 14 PLATED	1								
130-1	1	26106-060162	BOLT, M6X 16 PLATED	1								N
		(A=E16505)										
131	1	26106-080142	BOLT, M8X 14 PLATED	1								
131-1	1	26106-080162	BOLT, M8X 16 PLATED	1								N
		(A=E16505)										

Remarks

(1)Governor(Fig.11) is incorporated in this Fuel Injection Pump(No.1).

Fig.11. GOVERNOR



(A)=3TNV80F-SXXDLST
(B)=
(C)=

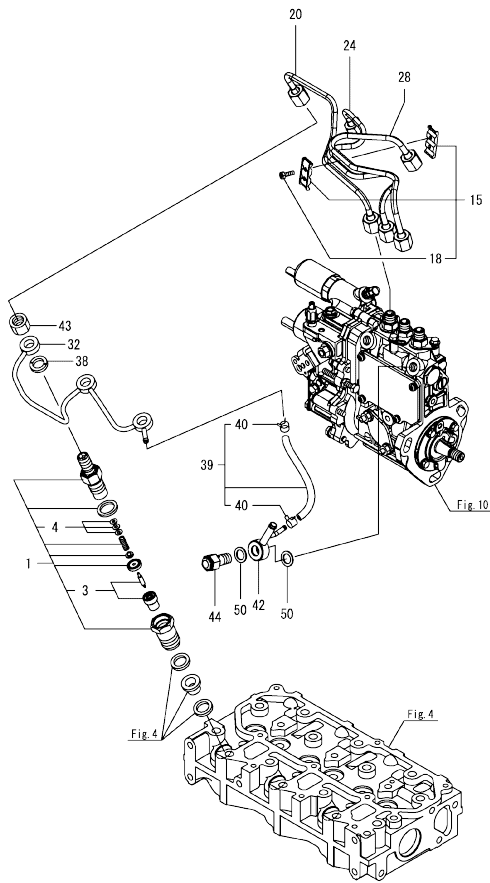
(D)=
(E)=
(F)=

No.	Lev.	Parts No.	Description	Q'ty						I	R
				(A)	(B)	(C)	(D)	(E)	(F)		
2	2	119717-51930	PLUG, M10	1							
3	2	119717-61050	GASKET, CASE	1							
4	2	119717-61070	GASKET, COVER	1							
6	2	129155-51280	O-RING, S6	1							
13	2	119515-61440	LEVER, CONTROL	1							
62	2	119660-61901	STOPPER, SHAFT	1							
67	2	26106-060102	BOLT, M6X 10 PLATED	1							
68	2	26366-080002	NUT, M8	1							
78	2	129155-61460	BOLT, IDLE LIMIT	1							
79	2	119C00-61900	SOLENOID, CONTROL	1							
79-1	2	119C00-61901	SOLENOID, POWER CONT	1							R
(A=2019.09)											
81	3	24357-24020	PACKING, 24020	1							
82	2	158552-61900	O-RING	1							
85	2	22190-100002	WASHER, SEAL 10	1							
87	2	22372-040000	PIN, SNAP 4	1							
88	2	26106-060102	BOLT, M6X 10 PLATED	4							
89	2	26106-060142	BOLT, M6X 14 PLATED	2							
90	2	26106-060202	BOLT, M6X 20 PLATED	4							
91	2	26106-060452	BOLT, M6X 45 PLATED	3							
92	2	26756-060002	NUT, LOCK M6	1							
93	2	119761-61060	COVER, GOVERNOR CASE	1							
105	2	129630-77900	SOLENOID, STOP	1							

Remarks

* This figure(Governor) is incorporated in the Fuel Injection Pump(Fig.10).

Fig.12. FUEL INJECTION VALVE



(A)=3TNV80F-SXXDLST
(B)=
(C)=

(D)=
(E)=
(F)=

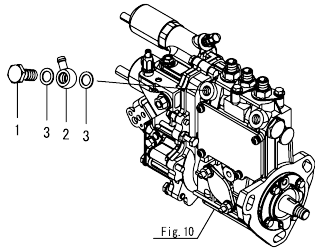
No.	Lev.	Parts No.	Description	Q'ty						I	R
				(A)	(B)	(C)	(D)	(E)	(F)		
1	1	119C10-53000	NOZZLE ASSY, F.I.	3							
3	2	119C10-53010	NOZZLE ASSY	3							
4	2	129901-53800	SHIM SET, ADJUSTING	3							1
15	1	129150-59120	RETAINER, PIPE	1							
18	2	129150-59131	BOLT, M4X14	2							
20	1	119E10-59810	PIPE ASSY,INJ.NO1	1							
24	1	119E10-59820	PIPE ASSY,INJ.NO2	1							
28	1	119E10-59830	PIPE ASSY,INJ.NO3	1							
32	1	119717-59510	PIPE ASSY, RETURN	1							
38	1	129901-59560	GASKET	3							
39	1	119540-59570	HOSE ASSY, RETURN	1							
40	2	124066-59100	CLAMP, HOSE 8	2							
42	1	119840-59570	JOINT	1							
43	1	119620-59700	NUT, NOZZLE	3							
44	1	119813-59950	VALVE ASSY, CHECK	1							
50	1	22190-120002	WASHER, SEAL 12	2							

Remarks

(1)Spare parts.

OCD50-M02750 ENGINE

Fig.13. FUEL PIPE



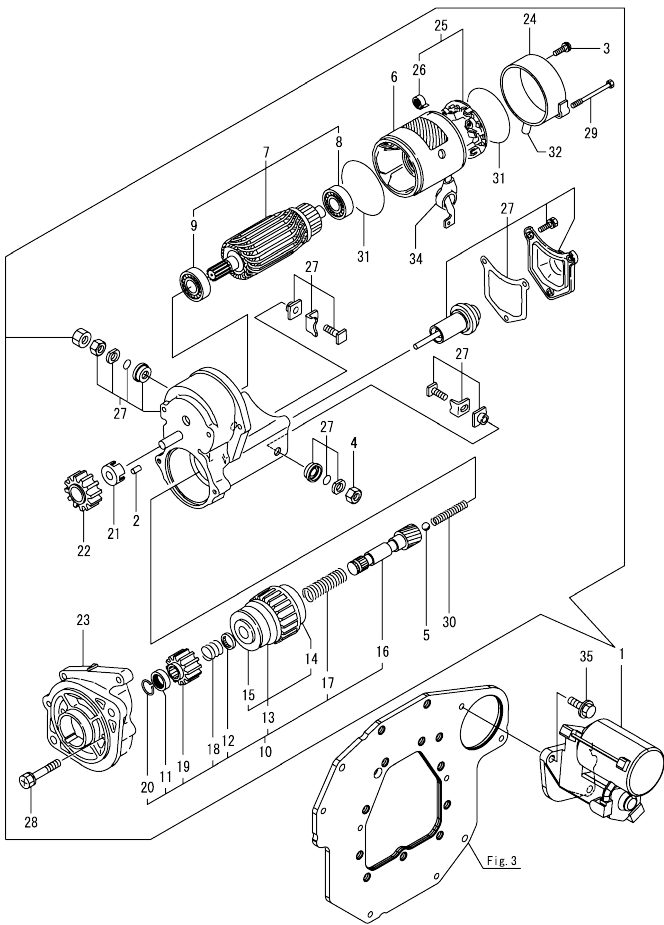
OCD50-M02750 Fig.13

(A)=3TNV80F-SXXDLST
(B)=
(C)=

(D)=
(E)=
(F)=

No.	Lev.	Parts No.	Description	Q'ty						I	R
				(A)	(B)	(C)	(D)	(E)	(F)		
1	1	103854-39140	BOLT, PIPE JOINT	1							
2	1	101304-59020	JOINT, PIPE 12	1							
3	1	22190-120002	WASHER, SEAL 12	2							

Fig.14. STARTER MOTOR

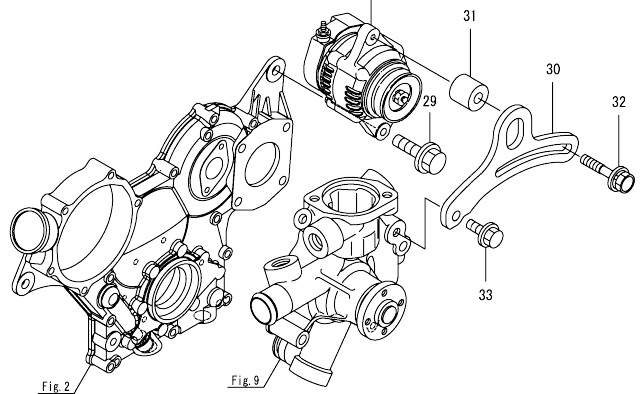
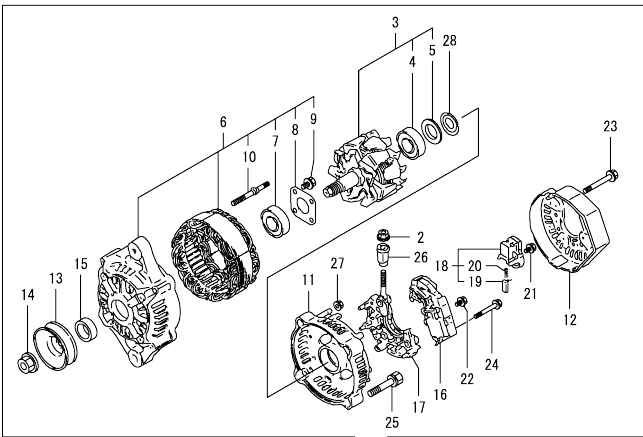


(A)=3TNV80F-SXXDLST
(B)=
(C)=

(D)=
(E)=
(F)=

No.	Lev.	Parts No.	Description	Qty						I	R
				(A)	(B)	(C)	(D)	(E)	(F)		
1	1	119740-77020	STARTER	1							
2	2	X0283060061	ROLLER	5							
3	2	129129-77460	SCREW	2							
4	2	X9490561370	NUT	1							
5	2	X9491200240	BALL, STEEL	1							
6	2	129407-77210	YOKE ASSY	1							
7	2	129407-77220	ARMATURE ASSY	1							
8	3	129129-77230	BEARING, BALL	1							
9	3	129129-77240	BEARING, BALL	1							
10	2	X1280996680	STARTER KIT	1							
11	3	X0280210230	NUT	1							
12	3	X0283270140	RETAINER	1							
13	3	129129-77390	CLUTCH ASSY	1							
14	4	129129-77440	BEARING, BALL	1							
15	4	129129-77450	BEARING, BALL	1							
16	3	129129-77400	SHAFT, STATER	1							
17	3	129129-77410	SPRING	1							
18	3	129407-77410	SPRING	1							
19	3	X0283712350	PINION, STARTER	1							
20	3	129129-77430	RING, SNAP	1							
21	2	129129-77260	RETAINER	1							
22	2	129129-77270	PINION	1							
23	2	X4284003310	HOUSING	1							
24	2	129407-77290	COVER	1							
25	2	129407-77300	HOLDER ASSY	1							
26	3	X9491730461	SPRING	4							
27	2	X1534004151	SWITCH ASSY	1							
28	2	129129-77320	BOLT	2							
29	2	129407-77330	BOLT	2							
30	2	129129-77340	SPRING	1							
31	2	129129-77350	O-RING	2							
32	2	129129-77362	COVER	1							
34	2	129129-77380	CAP	1							
35	1	26106-100202	BOLT, M10X 20 PLATED	2							

Fig.15. GENERATOR

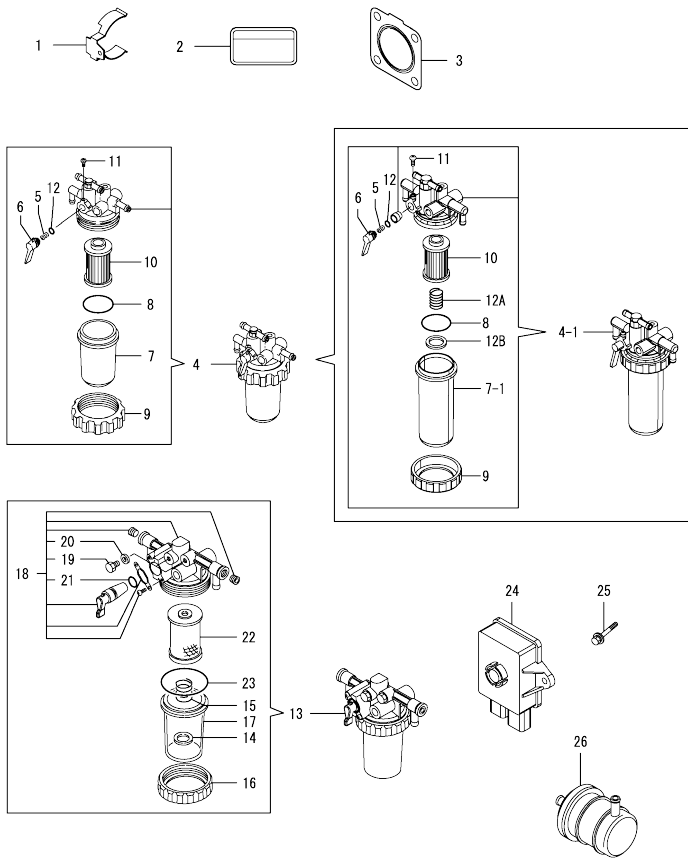


(A)=3TNV80F-SXXDLST
(B)=
(C)=

(D)=
(E)=
(F)=

No.	Lev.	Parts No.	Description	Q'ty						I	R
				(A)	(B)	(C)	(D)	(E)	(F)		
1	1	129423-77200	GENERATOR ASSY, 40A	1							
2	2	X9490561001	NUT	1							
3	2	119620-77380	ROTOR ASSY	1							
4	3	123501-79240	BEARING, BALL	1							
5	3	119620-79250	COVER, BEARING	1							
6	2	119620-77421	FRAME ASSY,GENERATOR	1							
7	3	119620-79200	BEARING, BALL	1							
8	3	119620-79210	RETAINER	1							
9	3	119620-79220	SCREW	4							
10	3	119620-79230	BOLT, STUD	2							
11	2	119620-77440	FRAME ASSY	1							
12	2	129240-79300	COVER	1							
13	2	119620-77461	PULLEY, GENERATOR	1							
14	2	119620-77471	NUT	1							
15	2	119620-77490	COLLAR	1							
16	2	129423-77710	REGULATOR ASSY	1							
17	2	119620-79260	HOLDER	1							
18	2	129052-79270	HOLDER, BRUSH	1							
19	3	119620-77480	BRUSH	2							
20	3	119620-79280	SPRING	2							
21	2	119620-79290	SCREW	6							
22	2	119620-79300	SCREW	1							
23	2	119620-79310	BOLT	3							
24	2	119620-79320	SCREW	2							
25	2	119620-79330	BOLT	2							
26	2	119620-79340	BUSH, INSULATION	1							
27	2	119620-79350	NUT	2							
28	2	119620-79360	WASHER, THRUST	1							
29	1	26106-100452	BOLT, M10X 45 PLATED	1							
30	1	119125-77320	ADJUSTER, BELT	1							
31	1	124732-77340	SPACER	1							
32	1	129972-77341	BOLT, ADJUST L=50	1							
33	1	26106-080202	BOLT, M8X 20 PLATED	1							

Fig.16. ACCESSORY



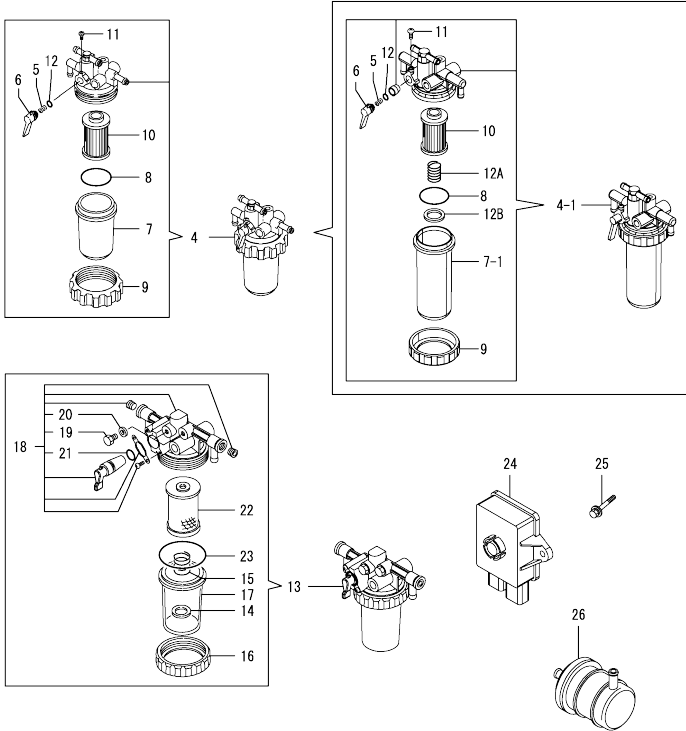
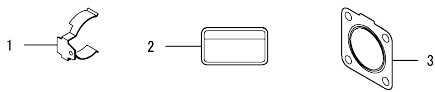
(A)=3TNV80F-SXXDLST
(B)=
(C)=

(D)=
(E)=
(F)=

No.	Lev.	Parts No.	Description	Q'ty						I	R
				(A)	(B)	(C)	(D)	(E)	(F)		
1	1	198072-04320	CLAMP, FILTER	1							
2	1	114110-07761	LABEL, FUEL CAUTION	1							
3	1	119515-13200	GASKET, SILENCER	1							
4	1	119740-55601	STRAINER ASSY, FUEL	1							
4-1	1	129053-55621	FILTER ASSY, FUEL	1							N
(A=E12424)											
4-2	1	119534-55601	FILTER ASSY, FUEL	1							N
(A=E17585)											
4-3	1	119534-55602	FILTER ASSY, FUEL	1							N
(A=E27582)											
5	2	104200-55330	SPRING, FUEL VALVE	1							
6	2	119810-55340	LEVER, FUEL	1							
7	2	121254-55510	CUP, FUEL STARINER	1							
7-1	2	129107-55510	CUP, STRAINER	1							S
(A=E12424)											
8	2	102103-55520	O-RING, FILTER	1							
8-1	2	129053-55520	O-RING, P44	1							N
(A=E27582)											
9	2	110250-55610	RING, CUP RETAINING	1							
10	2	119810-55650	ELEMENT, FUEL FILTER	1							
10-1	2	129053-55670	ELEMENT, FO FILTER	1							N
(A=E27582)											
11	2	104200-55750	SCREW, M4	1							
12	2	24311-240100	O-RING, 1AP10A	1							
12-1	2	129053-55510	O-RING, P10A	1							N
(A=E27582)											
12A	2	121257-55720	SPRING, ELEMENT	1							W
(A=E12424)											
12B	2	121257-55731	FLOAT	1							W
(A=E12424)											
13	1	129335-55750	SEPARATOR ASSY,WATER	1							Z
(A=E12424)											
14	2	129053-55640	FLOAT	1							Z
(A=E12424)											
15	2	129053-55650	SPRING, SCREEN	1							Z
(A=E12424)											
16	2	119833-55660	RING, RETAINING	1							Z
(A=E12424)											
17	2	129335-55740	CUP	1							Z
(A=E12424)											
18	2	129335-55770	BODY ASSY	1							Z
(A=E12424)											
19	3	129242-55750	VALVE, AIR VENT	1							Z
(A=E12424)											
20	3	129242-55760	GASKET, PLUG	1							Z
(A=E12424)											
21	3	24311-000110	O-RING, 1AP11.0	1							Z
(A=E12424)											
22	2	129335-55780	ELEMENT ASSY, FUEL	1							Z
(A=E12424)											
23	2	24311-000440	O-RING, 1AP44.0	1							Z

N:Old $\frac{New}{Old}$ New, Q:Old $\frac{New}{Old}$ New, R:Old $\frac{New}{Old}$ New, S:Old $\frac{New}{Old}$ New, W:Add, Z:Discontinued, F:Interchangeable by set, K:Qty Change
 ++ CONTINUE ++ Copyright (C) 2016 YANMAR GLOBAL CS CO., LTD. All Rights Reserved.

Fig.16. ACCESSORY



(A)=3TNV80F-SXXDLST
(B)=
(C)=

(D)=
(E)=
(F)=

No.	Lev.	Parts No.	Description	Q'ty						I	R
				(A)	(B)	(C)	(D)	(E)	(F)		
		(A=E12424)									
24	1	119C10-77600	DRIVER, SOLENOID		1						
25	1	26014-080702	BOLT, M8X 70		1						
26	1	129052-55630	FILTER, FUEL INLET		1						W
		(A=E12424)									

Parts No. Index

Parts No.	Fig. No.	Ref. No.	Parts No.	Fig. No.	Ref. No.	Parts No.	Fig. No.	Ref. No.	Parts No.	Fig. No.	Ref. No.
101304-59020	13	2	119621-21681	7	12	119717-42350	9	17	119C10-53010	12	3
102103-55520	16	8	119623-01250	1	5	119717-44740	9	19	119C10-77600	16	24
103854-39140	13	1	119624-32040	2	19	119717-49800	9	23	119E00-01560	1	1
104200-55330	16	5	119660-01640	3	6	119717-51150	6	16	119E10-01330	1	27
104200-55750	16	11	119660-01911	2	18	119717-51420	10	67	119E10-01600	3	2
105010-11490	4	3	119660-61901	11	62	119717-51711	10	92	119E10-11100	4	13
105311-01090	1	4	119717-01570	2	2	119717-51750	10	93	119E10-11110	4	14
105425-01690	3	12	119717-01720	3	10	119717-51761	10	94	119E10-11750	4	4
110250-55610	16	9	119717-01750	2	17	119717-51860	10	108	119E10-21590	7	8
114110-07761	16	2	119717-01800	2	7	119717-51930	11	2	119E10-21650	7	11
114250-39450	8	8	119717-02411	1	10	119717-59510	12	32	119E10-21700	7	1
119027-01650	3	12 -1	119717-02930	1	23	119717-61050	11	3	119E10-22080	7	16
119125-77320	15	30	119717-03031	4	36	119717-61070	11	4	119E10-22300	7	22
119131-18320	5	6	119717-03070	4	37	119717-77801	4	56	119E10-22500	7	18
119285-01990	1	6			38	119717-77820	4	57	119E10-22550	7	34
119285-11990	4	11	119717-11131	4	15	119718-11310	4	45	119E10-22900	7	33
119305-35151	8	14	119717-11190	4	17	119734-01780	3	11	119E10-23000	7	24
119515-13200	16	3	119717-11200	4	21	119734-01790	3	11 -1	119E10-34800	8	1
119515-61440	11	13	119717-11240	4	22	119734-35090	8	6	119E10-51250	10	129 -1
119534-55601	16	4 -2	119717-11260	4	25	119740-01501	2	1	119E10-59810	12	20
119534-55602	16	4 -3	119717-11320	4	46	119740-13100	5	1	119E10-59820	12	24
119540-59570	12	39	119717-11331	4	47	119740-55601	16	4	119E10-59830	12	28
119600-11460	4	2	119717-11340	4	18	119740-77020	14	1	121023-01551	2	42
119620-01620	3	5	119717-11350	4	19	119751-01521	2	5	121111-21501	7	7
119620-02020	1	7	119717-11381	4	35	119751-01590	2	3	121254-55510	16	7
119620-11280	4	26	119717-11650	4	27	119751-42003	9	1	121257-55720	16	12 A
119620-14200	6	1	119717-11800	4	58	119751-42030	9	3	121257-55731	16	12 B
119620-59700	12	43	119717-13110	5	2	119751-42040	9	4	121450-42450	9	26
119620-77380	15	3	119717-13600	5	3	119761-61060	11	93	121520-34810	8	2
119620-77421	15	6	119717-14400	6	2	119802-03100	4	39	121550-49111	9	25
119620-77440	15	11	119717-14581	6	3	119802-03110	4	40	121850-51960	2	21
119620-77461	15	13	119717-21200	7	4	119802-03121	4	41	122710-51090	10	8
119620-77471	15	14	119717-23200	7	27	119802-03131	4	42	123501-79240	15	4
119620-77480	15	19	119717-23601	7	28	119802-03141	4	43	124060-01050	1	11
119620-77490	15	15	119717-23611	7	31	119802-32130	2	16	124066-59100	12	40
119620-79200	15	7	119717-23910	7	30	119810-01200	1	26	124085-02220	3	8
119620-79210	15	8	119717-25050	6	9	119810-02941	1	35	124160-01751	2	29
119620-79220	15	9	119717-25101	6	10	119810-55340	16	6		4	34
119620-79230	15	10	119717-25911	6	21	119810-55650	16	10	124160-01910	1	12
119620-79250	15	5	119717-25930	6	15	119813-59950	12	44	124240-01871	2	31
119620-79260	15	17	119717-26000	6	17	119833-55660	16	16			35
119620-79280	15	20	119717-32050	2	20	119840-59570	12	42	124250-49351	9	28
119620-79290	15	21	119717-32060	8	5	119865-21600	7	10	124465-44950	9	27
119620-79300	15	22	119717-32080	2	10	119C00-61900	11	79	124732-77340	15	31
119620-79310	15	23	119717-32100	2	9	119C00-61901	11	79 -1	129001-32320	2	12
119620-79320	15	24	119717-32110	2	14	119C10-21930	7	13	129001-32330	2	13
119620-79330	15	25	119717-32120	2	15	119C10-21940	7	14	129005-59830	8	10
119620-79340	15	26	119717-35140	8	3	119C10-42320	9	9	129052-55630	16	26
119620-79350	15	27	119717-39210	8	9	119C10-51250	10	129	129052-79270	15	18
119620-79360	15	28	119717-42020	9	13	119C10-53000	12	1	129053-55510	16	12 -1

Parts No. Index

Parts No.	Fig. No.	Ref. No.
129053-55520	16	8 -1
129053-55621	16	4 -1
129053-55640	16	14
129053-55650	16	15
129053-55670	16	10 -1
129100-01580	1	28
	3	1
	7	2
129100-52101	10	112
129107-55510	16	7 -1
129129-77230	14	8
129129-77240	14	9
129129-77260	14	21
129129-77270	14	22
129129-77320	14	28
129129-77340	14	30
129129-77350	14	31
129129-77362	14	32
129129-77380	14	34
129129-77390	14	13
129129-77400	14	16
129129-77410	14	17
129129-77430	14	20
129129-77440	14	14
129129-77450	14	15
129129-77460	14	3
129150-11230	4	28
129150-11750	4	30
129150-25301	6	14
129150-49360	9	29
129150-59120	12	15
129150-59131	12	18
129155-51020	10	4
129155-51280	10	57
		58
	11	6
129155-51400	10	65
129155-51580	10	89
129155-51701	10	91
129155-52051	10	111
129155-61460	11	78
129240-79300	15	12
129242-55750	16	19
129242-55760	16	20
129335-55740	16	17
129335-55750	16	13
129335-55770	16	18
129335-55780	16	22
129350-26490	6	19
129350-49530	9	22

Parts No.	Fig. No.	Ref. No.
129407-77210	14	6
129407-77220	14	7
129407-77290	14	24
129407-77300	14	25
129407-77330	14	29
129407-77410	14	18
129423-77200	15	1
129423-77710	15	16
129508-11180	4	16
129630-77900	11	105
129900-07900	4	54
129900-32130	2	11
129901-11450	4	1
129901-53800	12	4
129901-59560	12	38
129916-49740	9	10
129972-77341	15	32
129C26-01890	2	32
		36
129E00-13610	5	4
129E00-13630	5	5
158552-61900	11	82
158600-51270	10	56
158600-51410	10	66
158600-51420	10	68
158600-51570	10	88
158600-51790	10	95
171056-49120	9	25 -1
171353-44760	9	20
198072-04320	16	1
22190-080002	2	33
		37
	8	11
		13
22190-100002	11	85
22190-120002	12	50
	13	3
22190-160002	3	14
	10	97
22217-120000	10	98
22242-000120	4	31
22252-000220	7	23
22351-050010	10	99
22351-060012	4	20
22372-040000	11	87
22512-040120	7	5
		15
22857-500100	4	48
		49
22857-500160	4	50

Parts No.	Fig. No.	Ref. No.
23414-080000	9	14
23857-030000	8	12
23876-005000	4	12
23876-030000	2	6
24101-062024	2	8
24104-060054	6	20
24311-000110	16	21
24311-000320	2	30
	4	51
24311-000440	16	23
24311-240100	16	12
24341-000240	2	43
24357-240200	11	81
25132-003700	9	18
26014-080702	16	25
26022-050122	10	103
26106-060102	8	7
	11	67
		88
26106-060122	2	22
	6	8
26106-060142	10	130
	11	89
26106-060162	2	23
		44
	10	130 -1
26106-060202	4	52
	11	90
26106-060222	3	9
26106-060352	6	13
26106-060402	2	24
		25
	9	21
26106-060452	11	91
26106-060602	2	26
26106-060652	2	27
26106-060752	4	53
26106-080122	2	34
	3	15
	9	15
26106-080142	2	38
	10	131
26106-080162	4	55
	10	131 -1
26106-080202	9	24
	15	33
26106-080302	3	16
26106-080402	4	33
26106-080452	3	17
26106-080502	3	18

Parts No.	Fig. No.	Ref. No.
26106-080502	9	16
26106-080702	2	39
26106-100202	14	35
26106-100452	15	29
26206-100202	3	3
26206-100252	3	4
26306-080002	2	28
		40
		41
	5	7
26366-080002	11	68
26577-060122	9	11
26716-120002	10	105
26756-060002	11	92
26979-050162	4	32
27241-120000	1	13
27241-250000	9	12
719717-02901	1	29
719717-02911	1	32
719751-01500	2	4
719E10-51360	10	1
X0280210230	14	11
X0283060061	14	2
X0283270140	14	12
X0283712350	14	19
X1280996680	14	10
X1534004151	14	27
X4284003310	14	23
X9490561001	15	2
X9490561370	14	4
X9491200240	14	5
X9491730461	14	26