

0CD50-M03220EN

# P R E F A C E

This parts catalog is the 1st edition of 3TNV80F-SPSY for SANY.

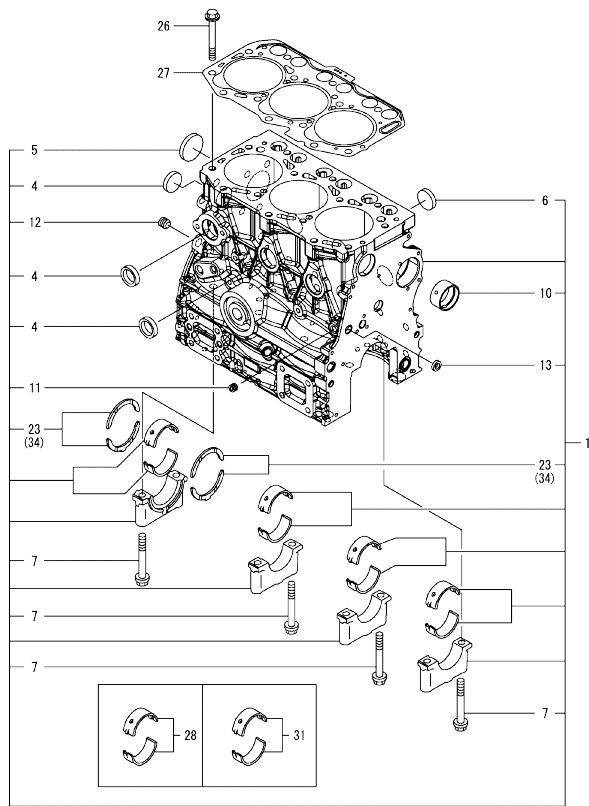
Published : June, 2017

## Contents

0CD50-M03220

Fig. No.	Fig. Name	Fig. No.	Fig. Name
ENGINE			
1.	CYLINDER BLOCK		
2.	GEAR HOUSING		
3.	FLYWHEEL HOUSING & OIL SUMP		
4.	CYLINDER HEAD & BONNET		
5.	EXHAUST MANIFOLD		
6.	CAMSHAFT & DRIVING GEAR		
7.	CRANKSHAFT & PISTON		
8.	LUB. OIL SYSTEM		
9.	COOLING WATER SYSTEM		
10.	FUEL INJECTION PUMP		
11.	GOVERNOR		
12.	FUEL INJECTION VALVE		
13.	FUEL PIPE		
14.	STARTER MOTOR		
15.	GENERATOR		
16.	ACCESSORY		

Fig.1. CYLINDER BLOCK



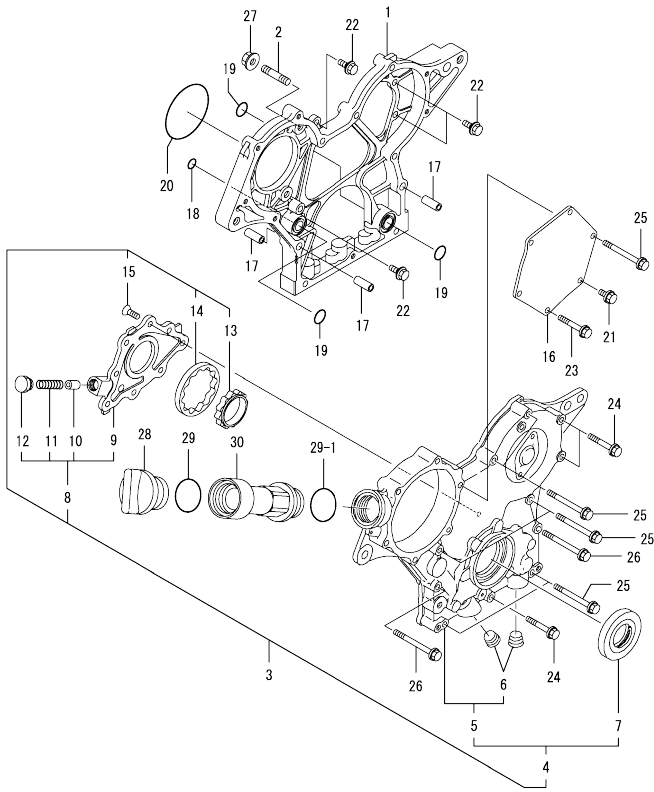
(A)=3TNV80F-SPSY  
(B)=  
(C)=

(D)=  
(E)=  
(F)=

No.	Lev.	Parts No.	Description	Q'ty						I	R
				(A)	(B)	(C)	(D)	(E)	(F)		
1	1	119E00-01560	BLOCK ASSY, CYLINDER	1							
4	2	105311-01090	PLUG, CUP TYPE 30	4							
5	2	119623-01250	PLUG, DISH TYPE 45	1							
6	2	119285-01990	PLUG, CUP TYPE 25	3							
7	2	119620-02020	BOLT, METAL CAP	8							
10	2	119717-02411	BUSH, CAMSHAFT	1							
11	2	124060-01050	PLUG, PT1/8	1							
12	2	124160-01910	PLUG, PT1/4	1							
13	2	27241-120000	PLUG, 12	1							
23	2	119717-02930	BEARING ASSY, THRUST	2							
26	1	119810-01200	BOLT, CYLINDER HEAD	14							
27	1	119E10-01330	GASKET SET, HEAD	1							
28	1	719717-02901	BEARING ASSY, MAIN	4							1
31	1	719717-02911	BEARING ASSY, MAIN	4							2
34	1	119810-02941	BEARING, THRUST 0.25	2							3

Remarks  
(1)Spare parts.  
(2)Under-sized(U.S.=0.25) parts.  
(3)Over-sized(O.S.=0.25) parts.

Fig.2. GEAR HOUSING

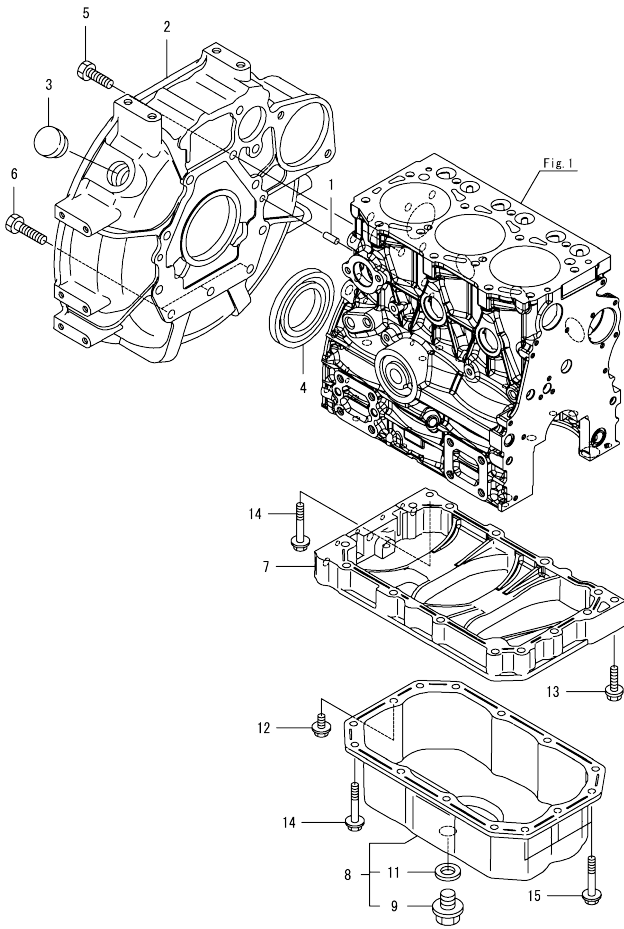


(A)=3TNV80F-SPSY  
(B)=  
(C)=

(D)=  
(E)=  
(F)=

No.	Lev.	Parts No.	Description	Q'ty						I	R
				(A)	(B)	(C)	(D)	(E)	(F)		
1	1	119717-01501	CASE, GEAR	1							
2	1	119717-01570	STUD	3							
3	1	119734-01590	COVER ASSY, CASE	1							
4	2	719734-01500	COVER ASSY, CASE	1							
5	3	119717-01521	COVER, GEAR CASE	1							
6	4	23876-030000	PLUG, R03	2							
7	3	119717-01800	SEAL, OIL	1							
8	2	119717-32100	COVER ASSY, PUMP	1							
9	3	119717-32080	COVER, OIL PUMP	1							
10	3	129900-32130	VALVE, RELIEF	1							
11	3	129001-32320	SPRING	1							
12	3	129001-32330	PLUG	1							
13	2	119717-32110	ROTOR, INNER	1							
14	2	119717-32120	ROTOR, OUTER	1							
15	2	119802-32130	SCREW, M6X16	8							
16	1	119717-01750	COVER, PUMP	1							
17	1	119660-01911	PIPE, KNOCK 6X17	4							
18	1	119624-32040	O-RING, P12.0	1							
19	1	119717-32050	O-RING, P17.0	3							
20	1	121850-51960	O-RING, FUEL PUMP	1							
21	1	26106-060122	BOLT, M6X 12 PLATED	1							
22	1	26106-060162	BOLT, M6X 16 PLATED	4							
23	1	26106-060402	BOLT, M6X 40 PLATED	4							
24	1	26106-060402	BOLT, M6X 40 PLATED	3							
25	1	26106-060602	BOLT, M6X 60 PLATED	7							
26	1	26106-060652	BOLT, M6X 65 PLATED	2							
27	1	26306-080002	NUT, M8	3							
28	1	124160-01751	CAP, FILLER	1							
29	1	24311-000320	O-RING, 1AP32.0	1							
29-1	1	24311-000320	O-RING, 1AP32.0	2							K
30	1	121027-11743	PIPE, FILLER	1							W

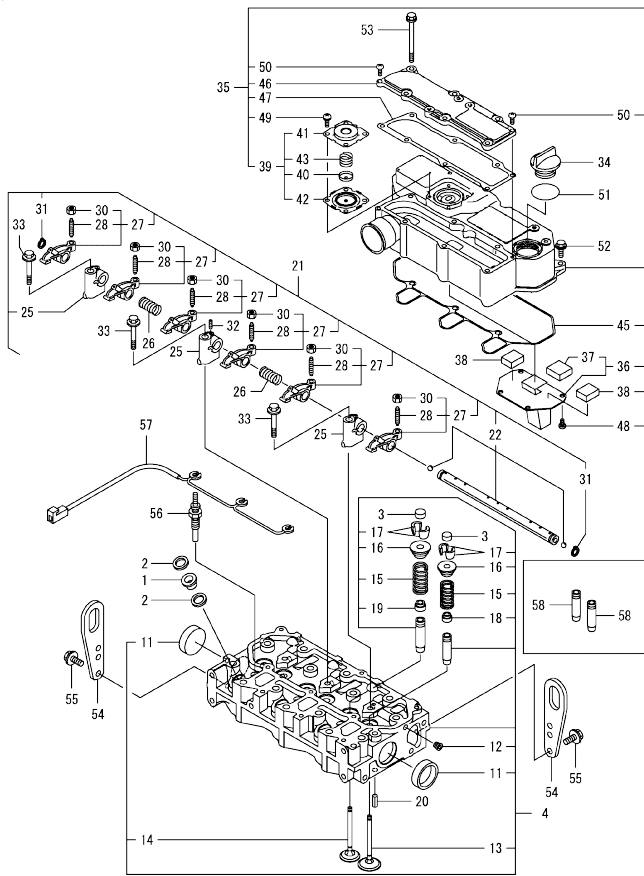
Fig.3. FLYWHEEL HOUSING & OIL SUMP



No.	Lev.	Parts No.	Description	Q'ty						I	R
				(A)	(B)	(C)	(D)	(E)	(F)		
1	1	129100-01580	PIN, PARALLEL 8X16	2							
2	1	119717-01601	HOUSING, FLYWHEEL	1							
3	1	119620-01750	CAP	1							
4	1	119734-02220	SEAL, OIL	1							
5	1	26206-100252	BOLT, M10X 25 PLATED	8							
6	1	26206-100302	BOLT, M10X 30 PLATED	3							
7	1	119717-01720	SPACER, OIL-PAN	1							
8	1	119740-01770	OIL PAN ASSY	1							
9	2	105425-01690	PLUG, M16	1							
11	2	22190-160002	WASHER, SEAL 16	1							
12	1	26106-080122	BOLT, M8X 12 PLATED	1							
13	1	26106-080302	BOLT, M8X 30 PLATED	1							
14	1	26106-080452	BOLT, M8X 45 PLATED	11							
15	1	26106-080502	BOLT, M8X 50 PLATED	3							

N:Old  $\frac{100}{100}$  New, Q:Old  $\frac{100}{100}$  New, R:Old  $\frac{100}{100}$  New, S:Old  $\frac{100}{100}$  New, W:Add, Z:Discontinued, F:Interchangeable by set, K:Q'ty Change  
 Copyright (C) 2017 YANMAR GLOBAL CS CO., LTD. All Rights Reserved.

Fig.4. CYLINDER HEAD & BONNET



(A)=3TNV80F-SPSY  
(B)=  
(C)=

(D)=  
(E)=  
(F)=

No.	Lev.	Parts No.	Description	Q'ty						I	R
				(A)	(B)	(C)	(D)	(E)	(F)		
1	1	129901-11450	PROTECTOR, NOZZLE	3							
2	1	119600-11460	GASKET, NOZZLE	6							
3	1	105010-11490	CAP, VALVE	6							
4	1	119E10-11740	HEAD ASSY, CYLINDER	1							
11	2	119285-11990	PLUG, CUP TYPE 35	2							
12	2	23876-005000	PLUG, R005	1							
13	2	119E10-11100	VALVE, SUCTION	3							
14	2	119E10-11110	VALVE, EXHAUST	3							
15	2	119717-11131	SPRING, VALVE	6							
16	2	129508-11180	RETAINER, SPRING	6							
17	2	119717-11190	COTTER, VALVE	12							
18	2	119717-11340	SEAL, VALVE STEM	3							
19	2	119717-11350	SEAL, VALVE STEM	3							
20	1	22351-060012	PIN, SPRING 6.0X12	2							
21	1	119717-11200	SUPPORT ASSY, ROCKER	1							
22	2	119717-11240	SHAFT ASSY, ROCKER	1							
25	2	119717-11260	SUPPORT, ROCKER ARM	3							
26	2	119620-11280	SPRING, ROCKER	2							
27	2	119717-11650	ARM ASSY, ROCKER	6							
28	3	129150-11230	SCREW, VALVE ADJUST	6							
30	3	129150-11750	NUT, M8	6							
31	2	22242-000120	RING, 12	2							
32	2	26979-050162	SCREW, M5X16	1							
33	1	26106-080402	BOLT, M8X 40 PLATED	3							
34	1	124160-01751	CAP, FILLER	1							
35	1	119717-11381	BONNET ASSY, HEAD	1							
36	2	119717-03031	PLATE, BAFFLE	1							
37	3	119717-03070	BAFFLE, BREATHER	1							
38	2	119717-03070	BAFFLE, BREATHER	2							
39	2	119802-03100	DIAPHRAGM ASSY	1							
40	3	119802-03110	PLATE, DIAPHRAGM	1							
41	3	119802-03121	COVER, DIAPHRAGM	1							
42	3	119802-03131	DIAPHRAGM	1							
43	3	119802-03141	SPRING, DIAPHRAGM	1							
45	2	119718-11310	GASKET, BONNET	1							
46	2	119717-11320	COVER, BONNET	1							
47	2	119717-11331	GASKET	1							
48	2	22857-500100	SCREW, 5X10	4							
49	2	22857-500100	SCREW, 5X10	4							
50	2	22857-500160	SCREW, 5X16	2							
51	1	24311-000320	O-RING, 1AP32.0	1							
52	1	26106-060202	BOLT, M6X 20 PLATED	3							
53	1	26106-060752	BOLT, M6X 75 PLATED	6							
54	1	119226-07900	LIFTER, ENGINE	2							
55	1	26106-080162	BOLT, M8X 16 PLATED	4							
56	1	119717-77801	PLUG, GLOW	3							
57	1	119717-77820	CONNECTOR, GLOW PLUG	1							
58	1	119717-11800	GUIDE, VALVE	6							1

Remarks  
(1)Spare parts.

Fig.5. EXHAUST MANIFOLD

(A)=3TNV80F-SPSY  
(B)=  
(C)=

(D)=  
(E)=  
(F)=

No.	Lev.	Parts No.	Description	Q'ty						I	R
				(A)	(B)	(C)	(D)	(E)	(F)		
1	1	119740-13100	MANIFOLD, EXHAUST	1							
2	1	119717-13110	GASKET, EXH MANIFOLD	1							
3	1	119717-13600	BOLT, STUD M8X50	2							
4	1	129E00-13610	BOLT, M8X50 10.9	2							
5	1	129E00-13630	BOLT, M8X71 10.9T	2							
6	1	119131-18320	BOLT, STUD M8X22	4							
7	1	26306-080002	NUT, M8	2							

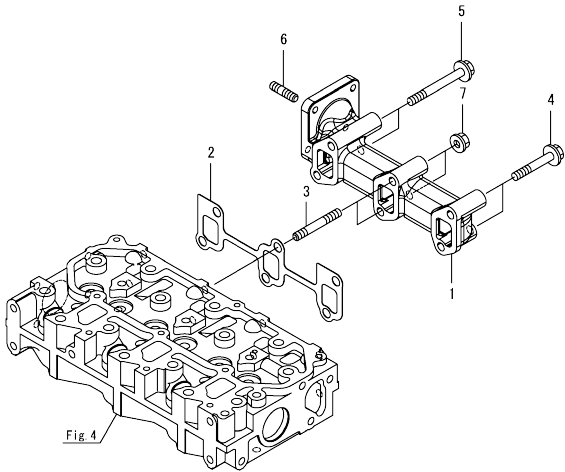


Fig. 4

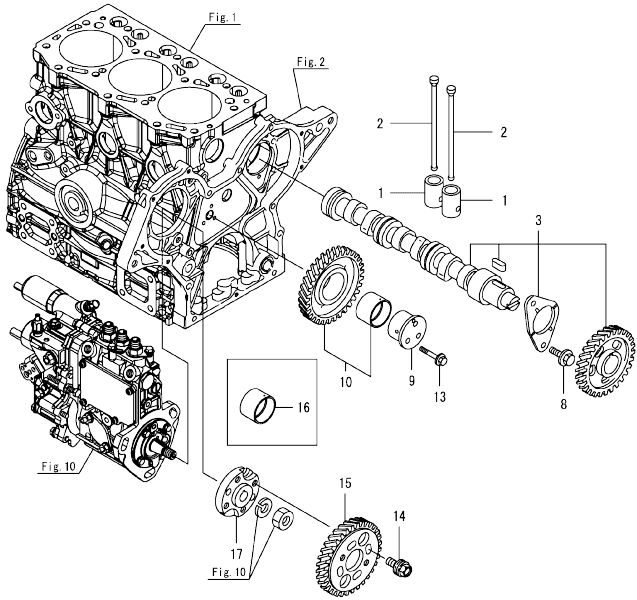


Fig.6. CAMSHAFT & DRIVING GEAR

(A)=3TNV80F-SPSY  
(B)=  
(C)=

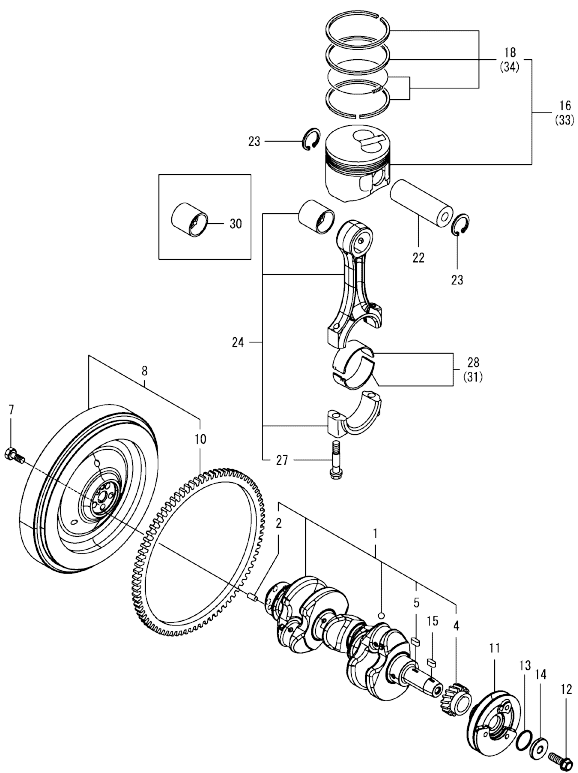
(D)=  
(E)=  
(F)=

No.	Lev.	Parts No.	Description	Q'ty						I	R
				(A)	(B)	(C)	(D)	(E)	(F)		
1	1	119620-14200	TAPPET	6							
2	1	119717-14400	PUSH-ROD	6							
3	1	119717-14581	CAMSHAFT ASSY	1							
8	1	26106-060122	BOLT, M6X 12 PLATED	2							
9	1	119717-25050	SHAFT, IDLE	1							
10	1	119717-25101	GEAR ASSY, IDLE	1							
13	1	26106-060352	BOLT, M6X 35 PLATED	3							
14	1	129150-25301	BOLT	4							
15	1	119717-25930	GEAR, PUMP	1							
16	1	119717-25911	BUSH, IDLE GEAR	1							1
17	1	119717-51150	FLANGE	1							



Remarks  
(1)Spare parts.

Fig.7. CRANKSHAFT & PISTON



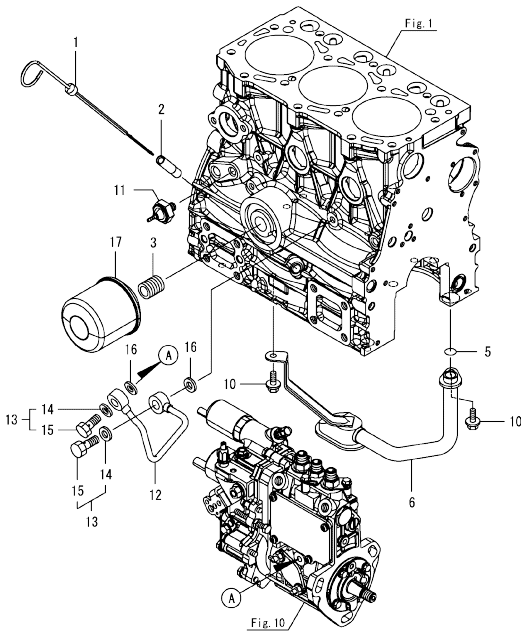
(A)=3TNV80F-SPSY  
(B)=  
(C)=

(D)=  
(E)=  
(F)=

No.	Lev.	Parts No.	Description	Q'ty						I	R
				(A)	(B)	(C)	(D)	(E)	(F)		
1	1	119E10-21700	CRANKSHAFT ASSY	1							
2	2	129100-01580	PIN, PARALLEL 8X16	1							
4	2	119717-21200	GEAR, CRANKSHAFT	1							
5	2	22512-040120	KEY, 4X 12	1							
7	1	121111-21501	BOLT, FLYWHEEL	5							
8	1	119E10-21590	FLYWHEEL ASSY	1							
10	2	119865-21600	GEAR, RING Z=116	1							
11	1	119C10-21650	V-PULLEY, CRANKSHAFT	1							
12	1	119621-21681	BOLT, FLANGE 12X1.25	1							
13	1	119C10-21930	GASKET, WASHER	1							
14	1	119C10-21940	WASHER, V-PULLEY	1							
15	1	22512-040120	KEY, 4X 12	1							
16	1	119E11-22080	PISTON ASSY	3							
18	2	119E10-22500	RING ASSY	3							
22	1	119E10-22300	PIN, PISTON	3							
23	1	2252-000220	RING, 22	6							
24	1	119E10-23000	ROD ASSY, CONNECTING	3							
27	2	119717-23200	BOLT, CONNECTING ROD	6							
28	1	119717-23601	BEARING, CRANK PIN	3							
30	1	119717-23910	BEARING, PISTON PIN	3							1
31	1	119717-23611	METAL ASSY, 0.25	3							2
33	1	119E11-22900	PISTON ASSY, 0.25 OS	3							3
34	2	119E10-22550	RING ASSY, 0.25	3							3

Remarks  
(1)Spare parts.  
(2)Under-sized(U.S.=0.25) parts.  
(3)Over-sized(O.S.=0.25) parts.

Fig.8. LUB. OIL SYSTEM



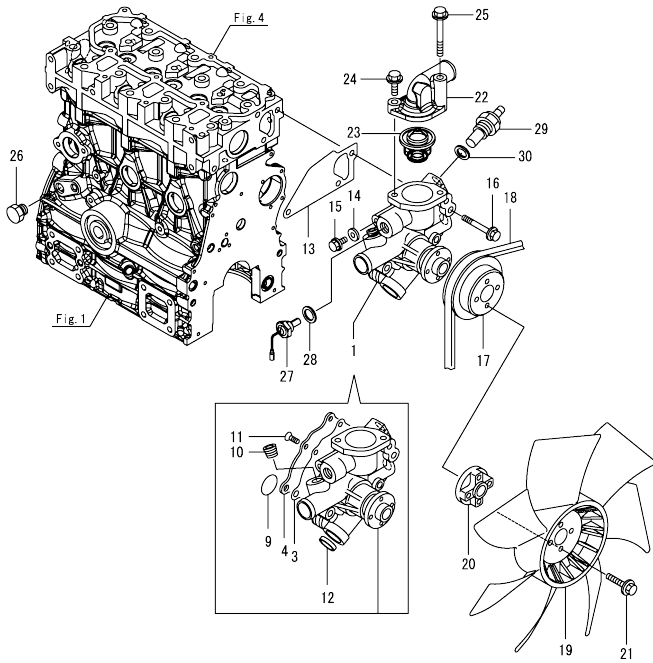
(A)=3TNV80F-SPSY  
(B)=  
(C)=

(D)=  
(E)=  
(F)=

No.	Lev.	Parts No.	Description	Q'ty						I	R
				(A)	(B)	(C)	(D)	(E)	(F)		
1	1	119717-34801	DIPSTICK	1							
2	1	121520-34810	GUIDE, DIPSTICK	1							
3	1	119717-35140	BOLT, STUD	1							
5	1	119717-32060	O-RING, P15.0	1							
6	1	119717-35080	PIPE ASSY, OIL INLET	1							
10	1	26106-060102	BOLT, M6X 10 PLATED	2							
11	1	114250-39450	SWITCH, HYDRAULIC	1							
12	1	119717-39210	PIPE, OIL	1							
13	1	129005-59830	BOLT ASSY, JOINT M8	2							
14	2	22190-080002	WASHER, SEAL 8	2							
15	2	23857-030000	BOLT, JOINT 3	2							
16	1	22190-080002	WASHER, SEAL 8	2							
17	1	119305-35151	FILTER ASSY, D68XL65	1							1

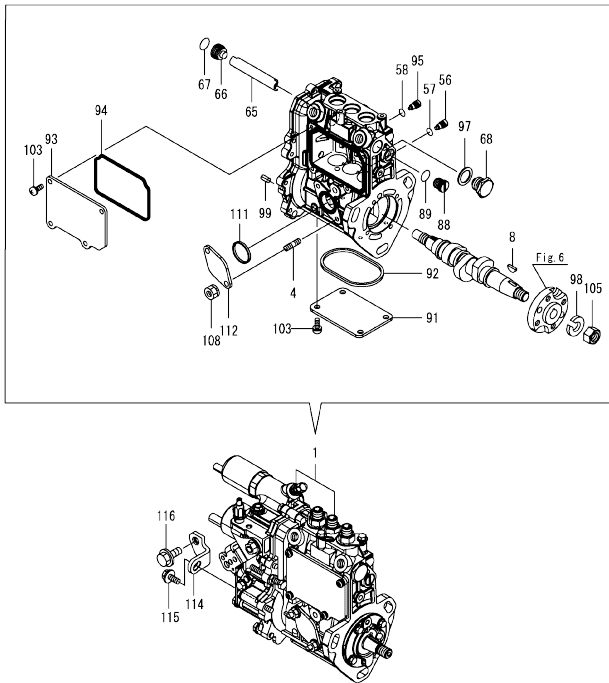
Remarks  
(1)Spare parts.

Fig.9. COOLING WATER SYSTEM



No.	Lev.	Parts No.	Description	Q'ty						I	R
				(A)	(B)	(C)	(D)	(E)	(F)		
1	1	119E10-42000	PUMP ASSY, WATER	1							
3	2	119717-42031	GASKET	1							
4	2	119717-42041	COVER	1							
9	2	119C10-42320	O-RING, 2028	1							
10	2	129916-49740	PLUG, R3/8	1							
11	2	26577-060122	SCREW, M6X12	4							
12	2	27241-250000	PLUG, 25	1							
13	1	119717-42020	GASKET, WATER PUMP	1							
14	1	23414-080000	GASKET, 8X1.0	1							
15	1	26106-080122	BOLT, M8X 12 PLATED	1							
16	1	26106-080502	BOLT, M8X 50 PLATED	3							
17	1	119740-42350	V-PULLEY, D=90	1							
18	1	119740-42370	V-BELT, A35.5	1							
19	1	119717-44740	FAN, COOLING D335X7	1							
20	1	121267-44760	SPACER, FAN	1							
21	1	26106-060302	BOLT, M6X 30 PLATED	4							
22	1	124101-49531	COVER, THERMOSTAT	1							
23	1	119717-49800	THERMOSTAT, 71C	1							
24	1	26106-080282	BOLT, M8X 28 PLATED	1							
25	1	26106-080652	BOLT, M8X 65 PLATED	1							
26	1	171056-49120	PLUG, DRAIN R1/4	1							
27	1	129107-44901	SENSOR, WATER TEMP.	1							
28	1	124465-44950	GASKET, 16	1							
29	1	124250-49351	SENSOR, WATER TEMP.	1							
30	1	129150-49360	GASKET	1							

Fig.10. FUEL INJECTION PUMP

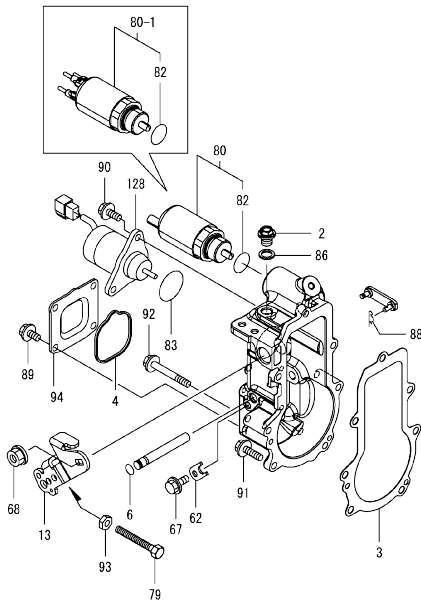


No.	Lev.	Parts No.	Description	Q'ty						I	R
				(A)	(B)	(C)	(D)	(E)	(F)		
1	1	719E40-51450	FIE ASSY	1							1
4	2	129155-51020	STUD	2							
8	2	122710-51090	KEY, FEATHER	1							
56	2	158600-51270	STOPPER, TAPPET	3							
57	2	129155-51280	O-RING, S6	3							
58	2	129155-51280	O-RING, S6	1							
65	2	129155-51400	PROTECTOR	1							
66	2	158600-51410	PLUG, DEFLIFTER M12	1							
67	2	119717-51420	O-RING	1							
68	2	158600-51420	PLUG, DEFLIFTER M16	1							
88	2	158600-51570	PLUG, RACK	1							
89	2	129155-51580	O-RING	1							
91	2	129155-51701	COVER, PUMP BOTTOM	1							
92	2	119717-51711	GASKET, PUMP	1							
93	2	119717-51750	COVER, BODY SIDE	1							
94	2	119717-51761	GASKET, PUMP COVER	1							
95	2	158600-51790	STOPPER, RACK	1							
97	2	22190-160002	WASHER, SEAL 16	1							
98	2	22217-120000	WASHER, SPRING 12	1							
99	2	22351-050010	PIN, SPRING 5.0X10	2							
103	2	26022-050122	SCREW, M5X12	8							
105	2	26716-120002	NUT, M12	1							
108	2	119717-51860	NUT, M6	2							
111	2	129155-52051	GASKET, PUMP COVER	1							
112	2	129100-52200	COVER, FEED PUMP	1							
114	1	119C10-51250	SUPPORT, FUEL PUMP	1							
114-1	1	119E10-51250	SUPPORT	1							N
		(A=E16656)									
115	1	26106-060142	BOLT, M6X 14 PLATED	1							
115-1	1	26106-060162	BOLT, M6X 16 PLATED	1							N
		(A=E16656)									
116	1	26106-080142	BOLT, M8X 14 PLATED	1							
116-1	1	26106-080162	BOLT, M8X 16 PLATED	1							N
		(A=E16656)									

Remarks

(1)Governor(Fig.11) is incorporated in this Fuel Injection Pump(No.1).

Fig.11. GOVERNOR



(A)=3TNV80F-SPSY  
(B)=  
(C)=

(D)=  
(E)=  
(F)=

No.	Lev.	Parts No.	Description	Q'ty						I	R
				(A)	(B)	(C)	(D)	(E)	(F)		
2	2	119717-51930	PLUG, M10	1							
3	2	119717-61050	GASKET, CASE	1							
4	2	119717-61070	GASKET, COVER	1							
6	2	129155-51280	O-RING, S6	1							
13	2	119515-61440	LEVER, CONTROL	1							
62	2	119660-61901	STOPPER, SHAFT	1							
67	2	26106-060102	BOLT, M6X 10 PLATED	1							
68	2	26366-080002	NUT, M8	1							
79	2	129155-61461	BOLT, IDLE LIMIT	1							
80	2	119C00-61900	SOLENOID, CONTROL	1							
80-1	2	119C00-61901	SOLENOID, POWER CONT	1							R
(A=E36524)											
82	3	24357-240200	PACKING, 24020	1							
83	2	158552-61900	O-RING	1							
86	2	22190-100002	WASHER, SEAL 10	1							
88	2	22372-040000	PIN, SNAP 4	1							
89	2	26106-060102	BOLT, M6X 10 PLATED	4							
90	2	26106-060142	BOLT, M6X 14 PLATED	2							
91	2	26106-060202	BOLT, M6X 20 PLATED	4							
92	2	26106-060452	BOLT, M6X 45 PLATED	3							
93	2	119740-61470	NUT	1							
94	2	119717-61060	COVER, GOVERNOR CASE	1							
128	2	129630-77900	SOLENOID, STOP	1							

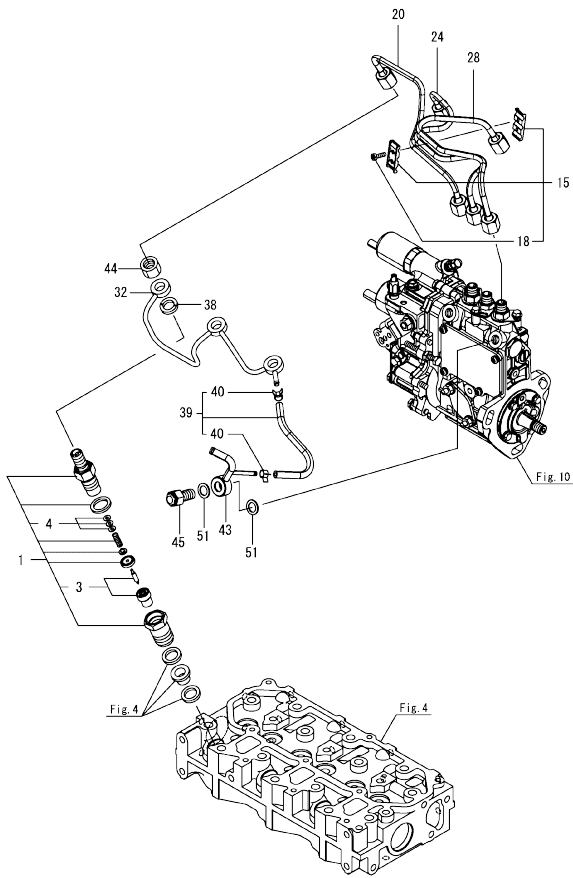
Remarks

\* This figure(Governor) is incorporated in the Fuel Injection Pump(Fig.10).

Fig.12. FUEL INJECTION VALVE

(A)=3TNV80F-SPSY  
(B)=  
(C)=

(D)=  
(E)=  
(F)=



No.	Lev.	Parts No.	Description	Q'ty						I	R
				(A)	(B)	(C)	(D)	(E)	(F)		
1	1	119C10-53000	NOZZLE ASSY, F.I.	3							
3	2	119C10-53010	NOZZLE ASSY	3							
4	2	129901-53800	SHIM SET, ADJUSTING	3							1
15	1	129150-59120	RETAINER, PIPE	1							
18	2	129150-59131	BOLT, M4X14	2							
20	1	119E10-59810	PIPE ASSY,INJ.NO1	1							
24	1	119E10-59820	PIPE ASSY,INJ.NO2	1							
28	1	119E10-59830	PIPE ASSY,INJ.NO3	1							
32	1	119717-59510	PIPE ASSY, RETURN	1							
38	1	129901-59560	GASKET	3							
39	1	119744-59560	HOSE ASSY, RETURN	1							
40	2	124066-59100	CLAMP, HOSE 8	2							
43	1	119515-59581	JOINT, OVER FLOW	1							
44	1	119620-59700	NUT, NOZZLE	3							
45	1	119813-59950	VALVE ASSY, CHECK	1							
51	1	22190-120002	WASHER, SEAL 12	2							

Remarks

(1)Spare parts.

Fig.13. FUEL PIPE

(A)=3TNV80F-SPSY  
(B)=  
(C)=

(D)=  
(E)=  
(F)=

No.	Lev.	Parts No.	Description	Q'ty						I	R
				(A)	(B)	(C)	(D)	(E)	(F)		
1	1	103854-39140	BOLT, PIPE JOINT	1							
2	1	101304-59020	JOINT, PIPE 12	1							
3	1	22190-120002	WASHER, SEAL 12	2							

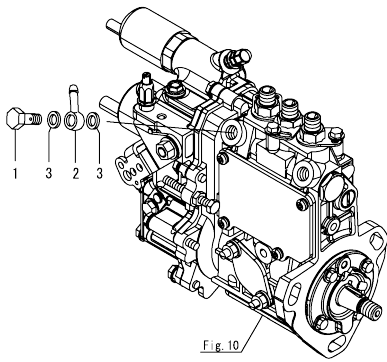
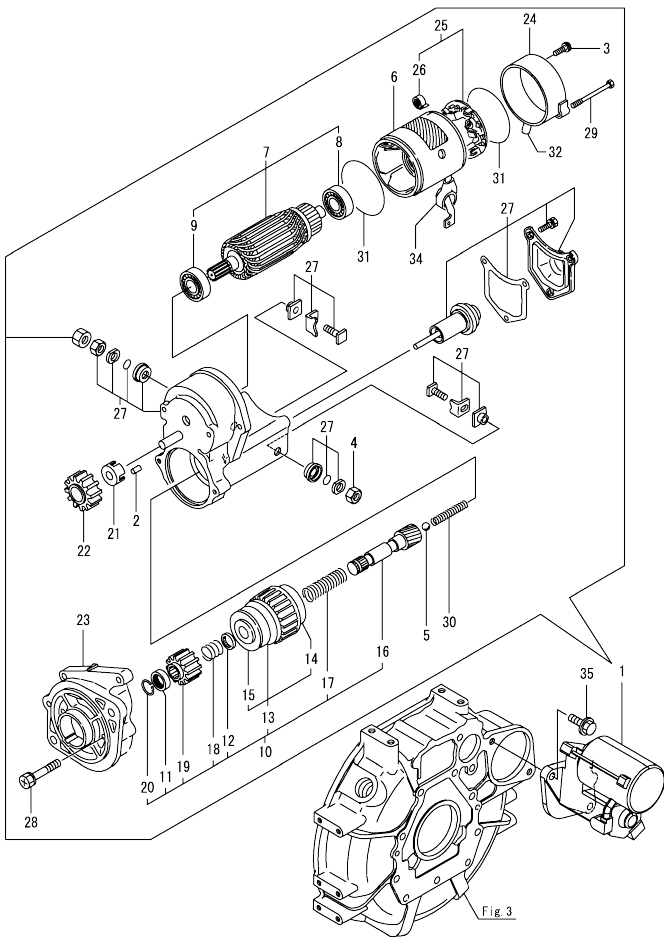


Fig.10



Fig.14. STARTER MOTOR

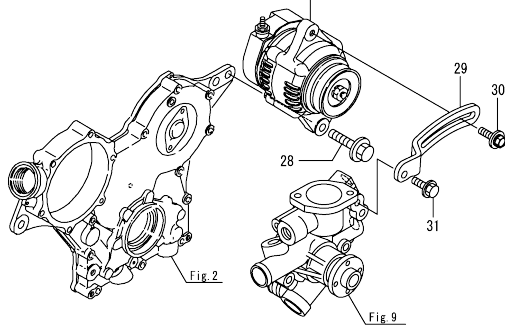
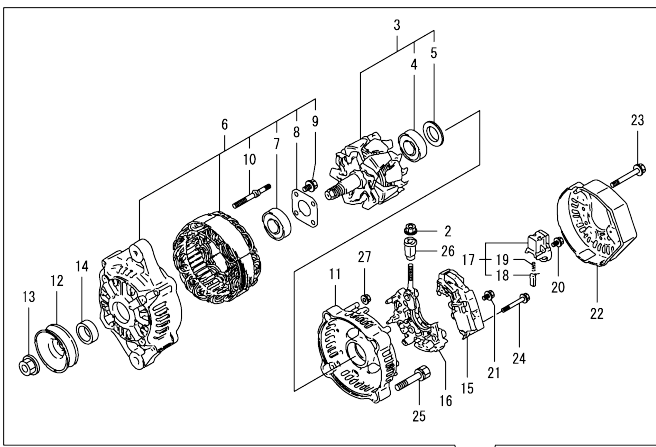


(A)=3TNV80F-SPSY  
(B)=  
(C)=

(D)=  
(E)=  
(F)=

No.	Lev.	Parts No.	Description	Qty						I	R
				(A)	(B)	(C)	(D)	(E)	(F)		
1	1	119740-77020	STARTER	1							
2	2	X0283060061	ROLLER	5							
3	2	129129-77460	SCREW	2							
4	2	X9490561370	NUT	1							
5	2	X9491200240	BALL, STEEL	1							
6	2	129407-77210	YOKE ASSY	1							
7	2	129407-77220	ARMATURE ASSY	1							
8	3	129129-77230	BEARING, BALL	1							
9	3	129129-77240	BEARING, BALL	1							
10	2	X1280996680	STARTER KIT	1							
11	3	X0280210230	NUT	1							
12	3	X0283270140	RETAINER	1							
13	3	129129-77390	CLUTCH ASSY	1							
14	4	129129-77440	BEARING, BALL	1							
15	4	129129-77450	BEARING, BALL	1							
16	3	129129-77400	SHAFT, STATER	1							
17	3	129129-77410	SPRING	1							
18	3	129407-77410	SPRING	1							
19	3	X0283712350	PINION, STARTER	1							
20	3	129129-77430	RING, SNAP	1							
21	2	129129-77260	RETAINER	1							
22	2	129129-77270	PINION	1							
23	2	X4284003310	HOUSING	1							
24	2	129407-77290	COVER	1							
25	2	129407-77300	HOLDER ASSY	1							
26	3	X9491730461	SPRING	4							
27	2	X1534004151	SWITCH ASSY	1							
28	2	129129-77320	BOLT	2							
29	2	129407-77330	BOLT	2							
30	2	129129-77340	SPRING	1							
31	2	129129-77350	O-RING	2							
32	2	129129-77362	COVER	1							
34	2	129129-77380	CAP	1							
35	1	26106-100252	BOLT, M10X 25 PLATED	2							

Fig.15. GENERATOR

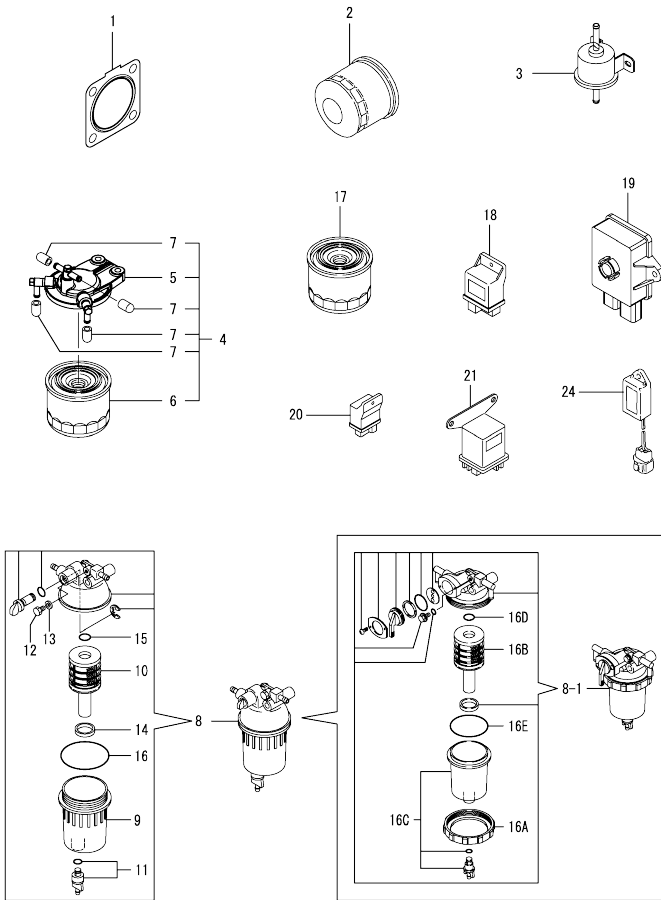


(A)=3TNV80F-SPSY  
(B)=  
(C)=

(D)=  
(E)=  
(F)=

No.	Lev.	Parts No.	Description	Q'ty						I	R
				(A)	(B)	(C)	(D)	(E)	(F)		
1	1	119626-77220	ALTERNATOR, 12V-55A	1							
2	2	X9490561001	NUT	1							
3	2	129052-77380	ROTOR ASSY	1							
4	3	123501-79240	BEARING, BALL	1							
5	3	119620-79250	COVER, BEARING	1							
6	2	129052-77422	FRAME ASSY	1							
7	3	119620-79200	BEARING, BALL	1							
8	3	119620-79210	RETAINER	1							
9	3	119620-79220	SCREW	4							
10	3	119620-79230	BOLT, STUD	2							
11	2	128401-77440	FRAME	1							
12	2	119620-77461	PULLEY, GENERATOR	1							
13	2	119620-77471	NUT	1							
14	2	119620-77490	COLLAR	1							
15	2	129423-77720	REGULATOR ASSY	1							
16	2	129052-79260	HOLDER	1							
17	2	129052-79270	HOLDER, BRUSH	1							
18	3	119620-77480	BRUSH	2							
19	3	119620-79280	SPRING	2							
20	2	119620-79290	SCREW	6							
21	2	119620-79300	SCREW	1							
22	2	119626-77450	COVER	1							
23	2	119620-79310	BOLT	3							
24	2	119620-79320	SCREW	2							
25	2	119620-79330	BOLT	2							
26	2	119620-79340	BUSH, INSULATION	1							
27	2	119620-79350	NUT	2							
28	1	26106-100452	BOLT, M10X 45 PLATED	1							
29	1	119717-77330	ADJUSTER	1							
30	1	119810-77340	BOLT, ADJUST L=30	1							
31	1	26106-080202	BOLT, M8X 20 PLATED	1							

Fig.16. ACCESSORY



(A)=3TNV80F-SPSY  
(B)=  
(C)=

(D)=  
(E)=  
(F)=

No.	Lev.	Parts No.	Description	Qty						I	R
				(A)	(B)	(C)	(D)	(E)	(F)		
1	1	119515-13200	GASKET, SILENCER	1							
2	1	119305-35151	FILTER ASSY, D68XL65	1							
3	1	129612-52100	PUMP, FUEL FEED	1							
4	1	119541-55620	FILTER ASSY, FO	1							
5	2	119934-55611	BRACKET, FILTER	1							
6	2	129004-55801	FILTER, FUEL	1							
7	2	129461-59580	CAP, FUEL	4							
8	1	129242-55701	SEPARATOR ASSY,WATER	1							
8-1	1	129906-55711	SEPARATOR ASSY,WATER	1							N
9	(A=E25287)	2 129242-55720	CUP, SEPARATOR	1							Z
10	(A=E25287)	2 129242-55730	ELEMENT, FUEL FILTER	1							Z
11	(A=E25287)	2 129242-55740	PLUG, DRAIN	1							Z
12	(A=E25287)	2 129242-55750	VALVE, AIR VENT	1							Z
13	2	129242-55760	GASKET, PLUG	1							Z
14	(A=E25287)	2 129242-55770	FLOAT	1							Z
15	(A=E25287)	2 24311-000160	O-RING, 1AP16.0	1							Z
16	(A=E25287)	2 24321-000750	O-RING, 1AG75.0	1							Z
16A	(A=E25287)	2 129100-55690	NUT, RETAINING	1							W
16B	(A=E25287)	2 119802-55710	ELEMENT, FUEL	1							W
16C	(A=E25287)	2 119802-55730	CUP ASSY, SEPARATOR	1							W
16D	(A=E25287)	2 24311-000160	O-RING, 1AP16.0	1							W
16E	(A=E25287)	2 24321-000650	O-RING, 1AG65.0	1							W
17	1	129004-55801	FILTER, FUEL	1							
18	1	119802-77200	RELAY, SAFETY	1							
19	1	119C10-77600	DRIVER, SOLENOID	1							
20	1	119953-77900	CONTROLLER, QHS	1							
21	1	119650-77911	RELAY ASSY, GLOW	1							
24	1	129211-77920	TIMER, SECTION 1	1							

## Parts No. Index

Parts No.	Fig. No.	Ref. No.	Parts No.	Fig. No.	Ref. No.	Parts No.	Fig. No.	Ref. No.	Parts No.	Fig. No.	Ref. No.
101304-59020	13	2	119717-01601	3	2	119717-51420	10	67	119E10-01330	1	27
103854-39140	13	1	119717-01720	3	7	119717-51711	10	92	119E10-11100	4	13
105010-11490	4	3	119717-01750	2	16	119717-51750	10	93	119E10-11110	4	14
105311-01090	1	4	119717-01800	2	7	119717-51761	10	94	119E10-11740	4	4
105425-01690	3	9	119717-02411	1	10	119717-51860	10	108	119E10-21590	7	8
114250-39450	8	11	119717-02930	1	23	119717-51930	11	2	119E10-21700	7	1
119131-18320	5	6	119717-03031	4	36	119717-59510	12	32	119E10-22300	7	22
119226-07900	4	54	119717-03070	4	37	119717-61050	11	3	119E10-22500	7	18
119285-01990	1	6			38	119717-61060	11	94	119E10-22550	7	34
119285-11990	4	11	119717-11131	4	15	119717-61070	11	4	119E10-23000	7	24
119305-35151	8	17	119717-11190	4	17	119717-77330	15	29	119E10-42000	9	1
	16	2	119717-11200	4	21	119717-77801	4	56	119E10-51250	10	114 -1
119515-13200	16	1	119717-11240	4	22	119717-77820	4	57	119E10-59810	12	20
119515-59581	12	43	119717-11260	4	25	119718-11310	4	45	119E10-59820	12	24
119515-61440	11	13	119717-11320	4	46	119734-01590	2	3	119E10-59830	12	28
119541-55620	16	4	119717-11331	4	47	119734-02220	3	4	119E11-22080	7	16
119600-11460	4	2	119717-11340	4	18	119740-01770	3	8	119E11-22900	7	33
119620-01750	3	3	119717-11350	4	19	119740-13100	5	1	121027-11743	2	30
119620-02020	1	7	119717-11381	4	35	119740-42350	9	17	121111-21501	7	7
119620-11280	4	26	119717-11650	4	27	119740-42370	9	18	121267-44760	9	20
119620-14200	6	1	119717-11800	4	58	119740-61470	11	93	121520-34810	8	2
119620-59700	12	44	119717-13110	5	2	119740-77020	14	1	121850-51960	2	20
119620-77461	15	12	119717-13600	5	3	119744-59560	12	39	122710-51090	10	8
119620-77471	15	13	119717-14400	6	2	119802-03100	4	39	123501-79240	15	4
119620-77480	15	18	119717-14581	6	3	119802-03110	4	40	124060-01050	1	11
119620-77490	15	14	119717-21200	7	4	119802-03121	4	41	124066-59100	12	40
119620-79200	15	7	119717-23200	7	27	119802-03131	4	42	124101-49531	9	22
119620-79210	15	8	119717-23601	7	28	119802-03141	4	43	124160-01751	2	28
119620-79220	15	9	119717-23611	7	31	119802-32130	2	15		4	34
119620-79230	15	10	119717-23910	7	30	119802-55710	16	16 B	124160-01910	1	12
119620-79250	15	5	119717-25050	6	9	119802-55730	16	16 C	124250-49351	9	29
119620-79280	15	19	119717-25101	6	10	119802-77200	16	18	124465-44950	9	28
119620-79290	15	20	119717-25911	6	16	119810-01200	1	26	128401-77440	15	11
119620-79300	15	21	119717-25930	6	15	119810-02941	1	34	129001-32320	2	11
119620-79310	15	23	119717-32050	2	19	119810-77340	15	30	129001-32330	2	12
119620-79320	15	24	119717-32060	8	5	119813-59950	12	45	129004-55801	16	6
119620-79330	15	25	119717-32080	2	9	119865-21600	7	10			17
119620-79340	15	26	119717-32100	2	8	119934-55611	16	5	129005-59830	8	13
119620-79350	15	27	119717-32110	2	13	119953-77900	16	20	129052-77380	15	3
119621-21681	7	12	119717-32120	2	14	119C00-61900	11	80	129052-77422	15	6
119623-01250	1	5	119717-34801	8	1	119C00-61901	11	80 -1	129052-79260	15	16
119624-32040	2	18	119717-35080	8	6	119C10-21650	7	11	129052-79270	15	17
119626-77220	15	1	119717-35140	8	3	119C10-21930	7	13	129100-01580	3	1
119626-77450	15	22	119717-39210	8	12	119C10-21940	7	14		7	2
119650-77911	16	21	119717-42020	9	13	119C10-42320	9	9	129100-52200	10	112
119660-01911	2	17	119717-42031	9	3	119C10-51250	10	114	129100-55690	16	16 A
119660-61901	11	62	119717-42041	9	4	119C10-53000	12	1	129107-44901	9	27
119717-01501	2	1	119717-44740	9	19	119C10-53010	12	3	129129-77230	14	8
119717-01521	2	5	119717-49800	9	23	119C10-77600	16	19	129129-77240	14	9
119717-01570	2	2	119717-51150	6	17	119E00-01560	1	1	129129-77260	14	21

## Parts No. Index

Parts No.	Fig. No.	Ref. No.
129129-77270	14	22
129129-77320	14	28
129129-77340	14	30
129129-77350	14	31
129129-77362	14	32
129129-77380	14	34
129129-77390	14	13
129129-77400	14	16
129129-77410	14	17
129129-77430	14	20
129129-77440	14	14
129129-77450	14	15
129129-77460	14	3
129150-11230	4	28
129150-11750	4	30
129150-25301	6	14
129150-49360	9	30
129150-59120	12	15
129150-59131	12	18
129155-51020	10	4
129155-51280	10	57
		58
	11	6
129155-51400	10	65
129155-51580	10	89
129155-51701	10	91
129155-52051	10	111
129155-61461	11	79
129211-77920	16	24
129242-55701	16	8
129242-55720	16	9
129242-55730	16	10
129242-55740	16	11
129242-55750	16	12
129242-55760	16	13
129242-55770	16	14
129407-77210	14	6
129407-77220	14	7
129407-77290	14	24
129407-77300	14	25
129407-77330	14	29
129407-77410	14	18
129423-77720	15	15
129461-59580	16	7
129508-11180	4	16
129612-52100	16	3
129630-77900	11	128
129900-32130	2	10
129901-11450	4	1
129901-53800	12	4

Parts No.	Fig. No.	Ref. No.
129901-59560	12	38
129906-55711	16	8 -1
129916-49740	9	10
129E00-13610	5	4
129E00-13630	5	5
158552-61900	11	83
158600-51270	10	56
158600-51410	10	66
158600-51420	10	68
158600-51570	10	88
158600-51790	10	95
171056-49120	9	26
22190-080002	8	14
		16
22190-100002	11	86
22190-120002	12	51
	13	3
22190-160002	3	11
	10	97
22217-120000	10	98
22242-000120	4	31
22252-000220	7	23
22351-050010	10	99
22351-060012	4	20
22372-040000	11	88
22512-040120	7	5
		15
22857-500100	4	48
		49
22857-500160	4	50
23414-080000	9	14
23857-030000	8	15
23876-005000	4	12
23876-030000	2	6
24311-000160	16	15
		16 D
24311-000320	2	29
		29 -1
	4	51
24321-000650	16	16 E
24321-000750	16	16
24357-240200	11	82
26022-050122	10	103
26106-060102	8	10
	11	67
		89
26106-060122	2	21
	6	8
26106-060142	10	115
	11	90

Parts No.	Fig. No.	Ref. No.
26106-060162	2	22
	10	115 -1
26106-060202	4	52
	11	91
26106-060302	9	21
26106-060352	6	13
26106-060402	2	23
		24
26106-060452	11	92
26106-060602	2	25
26106-060652	2	26
26106-060752	4	53
26106-080122	3	12
	9	15
26106-080142	10	116
26106-080162	4	55
	10	116 -1
26106-080202	15	31
26106-080282	9	24
26106-080302	3	13
26106-080402	4	33
26106-080452	3	14
26106-080502	3	15
	9	16
26106-080652	9	25
26106-100252	14	35
26106-100452	15	28
26206-100252	3	5
26206-100302	3	6
26306-080002	2	27
	5	7
26366-080002	11	68
26577-060122	9	11
26716-120002	10	105
26979-050162	4	32
27241-120000	1	13
27241-250000	9	12
719717-02901	1	28
719717-02911	1	31
719734-01500	2	4
719E40-51450	10	1
X0280210230	14	11
X0283060061	14	2
X0283270140	14	12
X0283712350	14	19
X1280996680	14	10
X1534004151	14	27
X4284003310	14	23
X9490561001	15	2
X9490561370	14	4

Parts No.	Fig. No.	Ref. No.
X9491200240	14	5
X9491730461	14	26