

0CD50-M01510EN

# P R E F A C E

This parts catalog is the 1st edition of 3TNV80F-SNMB for MAEDA SEISAKUSHO CO., LTD.

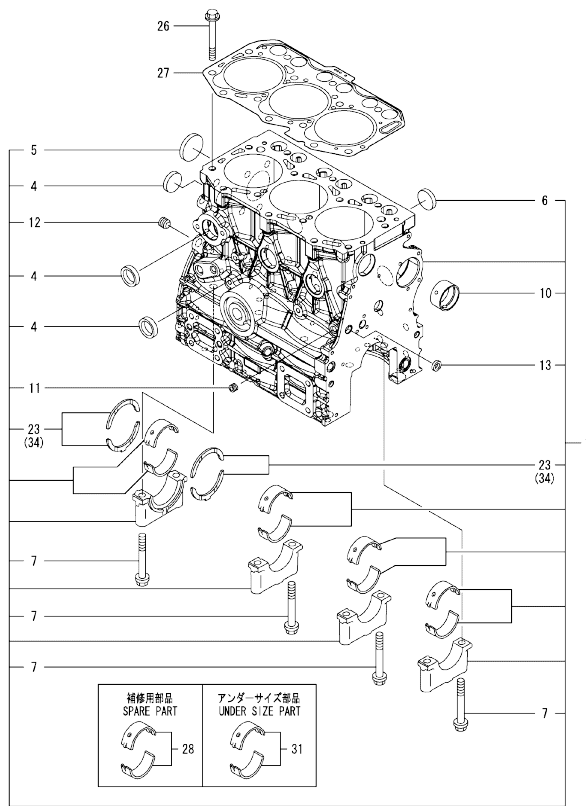
Published : August, 2015

## Contents

0CD50-M01510

Fig. No.	Fig. Name	Fig. No.	Fig. Name
3	TNV80F-SNMB		
1.	CYLINDER BLOCK		
2.	GEAR HOUSING		
3.	FLYWHEEL HOUSING & OIL SUMP		
4.	CYLINDER HEAD & BONNET		
5.	AIR CLEANER		
6.	EXHAUST MANIFOLD & SILENCER		
7.	CAMSHAFT & DRIVING GEAR		
8.	CRANKSHAFT & PISTON		
9.	LUB. OIL SYSTEM		
10.	COOLING WATER SYSTEM		
11.	FUEL INJECTION PUMP		
12.	GOVERNOR		
13.	FUEL INJECTION VALVE		
14.	FUEL FILTER		
15.	STARTER MOTOR		
16.	GENERATOR		

Fig.1. CYLINDER BLOCK



(A)=3TNV80F-SNMB  
(B)=  
(C)=

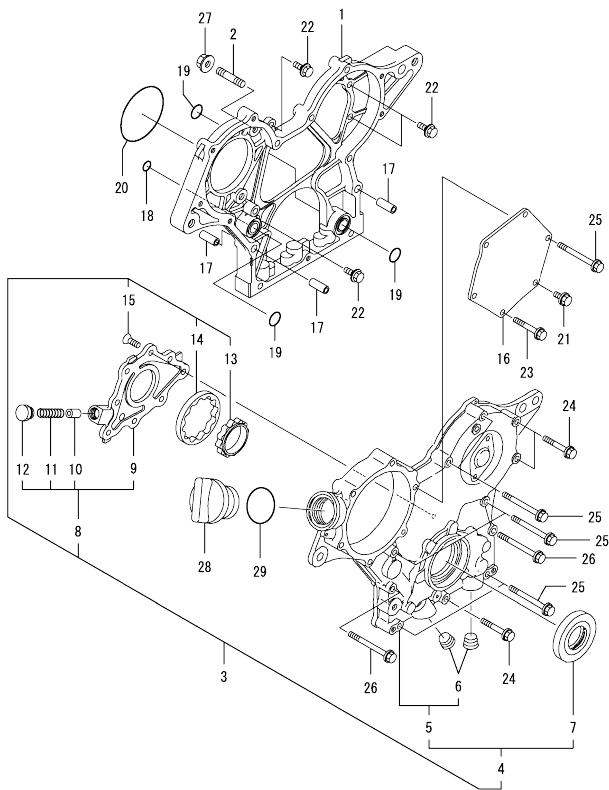
(D)=  
(E)=  
(F)=

No.	Lev.	Parts No.	Description	Q'ty						I	R
				(A)	(B)	(C)	(D)	(E)	(F)		
1	1	119E00-01560	BLOCK ASSY, CYLINDER	1							
4	2	105311-01090	PLUG, CUP TYPE 30	4							
5	2	119623-01250	PLUG, DISH TYPE 45	1							
6	2	119285-01990	PLUG, CUP TYPE 25	3							
7	2	119620-02020	BOLT, METAL CAP	8							
10	2	119717-02411	BUSH, CAMSHAFT	1							
11	2	124060-01050	PLUG, PT1/8	1							
12	2	124160-01910	PLUG, PT1/4	1							
13	2	27241-120000	PLUG, 12	1							
23	2	119717-02930	BEARING ASSY, THRUST	2							
26	1	119810-01200	BOLT, CYLINDER HEAD	14							
27	1	119E10-01330	GASKET SET, HEAD	1							
28	1	719717-02901	BEARING ASSY, MAIN	4							1
31	1	719717-02911	BEARING ASSY, MAIN	4							2
34	1	119810-02941	BEARING, THRUST 0.25	2							3

Remarks

- (1) Spare parts.
- (2) Under-sized (U.S.=0.25) parts.
- (3) Over-sized (O.S.=0.25) parts.

Fig.2. GEAR HOUSING

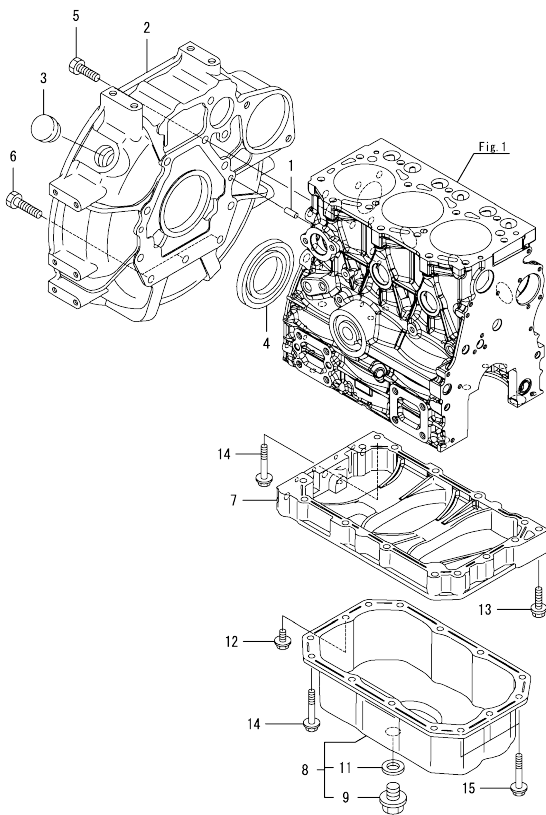


(A)=3TNV80F-SNMB  
(B)=  
(C)=

(D)=  
(E)=  
(F)=

No.	Lev.	Parts No.	Description	Qty					
				(A)	(B)	(C)	(D)	(E)	(F)
1	1	119717-01501	CASE, GEAR	1					
2	1	119717-01570	BOLT, STUD	3					
3	1	119734-01590	COVER ASSY,GEAR CASE	1					
4	2	719734-01500	COVER ASSY,GEAR CASE	1					
5	3	119717-01521	COVER, GEAR CASE	1					
6	4	23876-030000	PLUG, R03	2					
7	3	119717-01800	SEAL, OIL	1					
8	2	119717-32100	COVER ASSY	1					
9	3	119717-32080	COVER, PUMP	1					
10	3	129900-32130	VALVE, RELIEF	1					
11	3	129001-32320	SPRING	1					
12	3	129001-32330	PLUG	1					
13	2	119717-32110	ROTOR, INNER	1					
14	2	119717-32120	ROTOR, OUTER	1					
15	2	119802-32130	SCREW, M6X16	8					
16	1	119717-01750	COVER, PUMP	1					
17	1	119660-01911	PIPE, DOWEL 6X17	4					
18	1	119624-32040	O-RING, P12.0	1					
19	1	119717-32050	O-RING, P17.0	3					
20	1	121850-51960	O-RING	1					
21	1	26106-060122	BOLT, M6X 12 PLATED	1					
22	1	26106-060162	BOLT, M6X 16 PLATED	4					
23	1	26106-060402	BOLT, M6X 40 PLATED	4					
24	1	26106-060402	BOLT, M6X 40 PLATED	3					
25	1	26106-060602	BOLT, M6X 60 PLATED	7					
26	1	26106-060652	BOLT, M6X 65 PLATED	2					
27	1	26306-080002	NUT, M8	3					
28	1	124160-01751	CAP, FILLER	1					
29	1	24311-000320	O-RING, 1AP32.0	1					

Fig.3. FLYWHEEL HOUSING & OIL SUMP

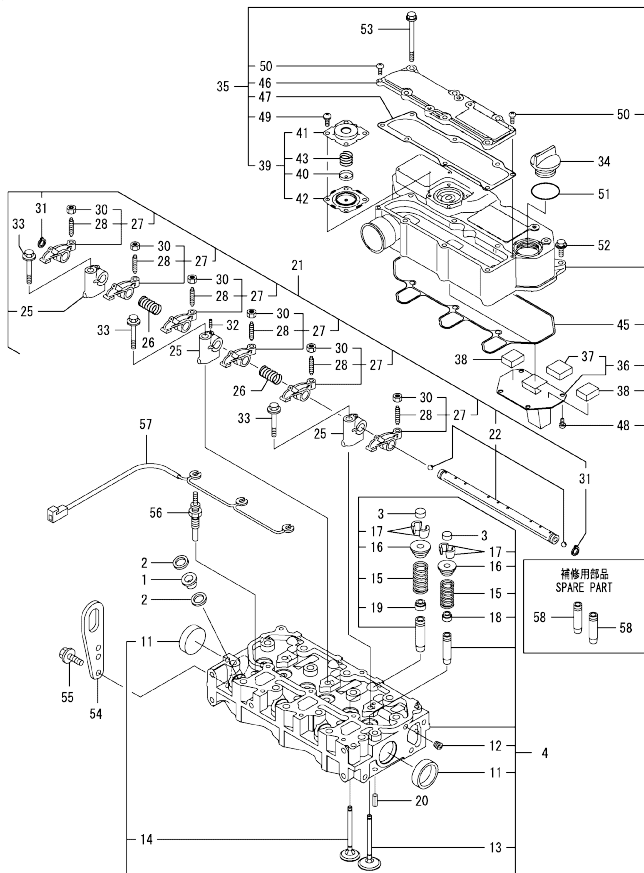


(A)=3TNV80F-SNMB  
(B)=  
(C)=

(D)=  
(E)=  
(F)=

No.	Lev.	Parts No.	Description	Q'ty						I	R
				(A)	(B)	(C)	(D)	(E)	(F)		
1	1	129100-01580	PIN, PARALLEL 8X16	2							
2	1	119717-01601	HOUSING, FLYWHEEL	1							
3	1	119620-01750	CAP	1							
4	1	124085-02220	SEAL, OIL	1							
5	1	26206-100252	BOLT, M10X 25 PLATED	8							
6	1	26206-100302	BOLT, M10X 30 PLATED	3							
7	1	119717-01720	SPACER, OIL-PAN	1							
8	1	119740-01770	OIL PAN ASSY	1							
9	2	105425-01690	PLUG, M16	1							
11	2	22190-160002	WASHER, SEAL 16	1							
12	1	26106-080122	BOLT, M8X 12 PLATED	1							
13	1	26106-080302	BOLT, M8X 30 PLATED	1							
14	1	26106-080452	BOLT, M8X 45 PLATED	11							
15	1	26106-080502	BOLT, M8X 50 PLATED	3							

Fig.4. CYLINDER HEAD & BONNET



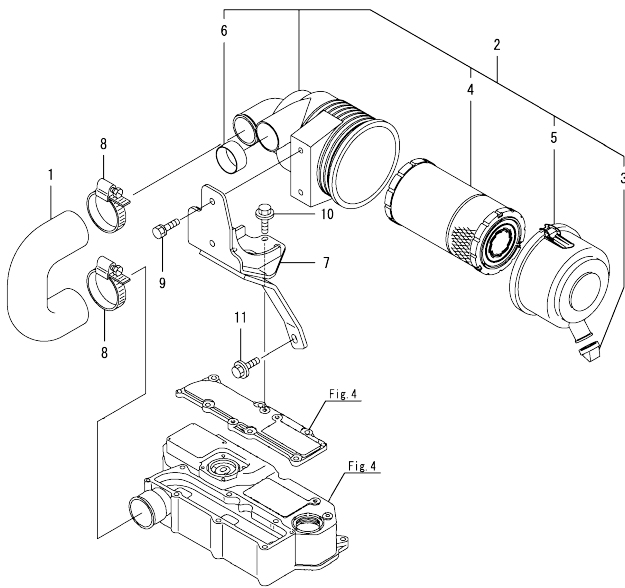
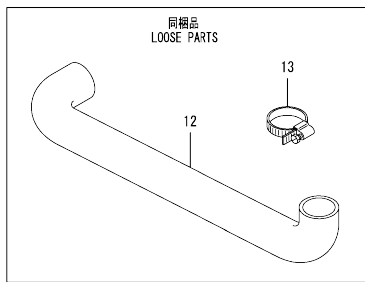
(A)=3TNV80F-SNMB  
(B)=  
(C)=

(D)=  
(E)=  
(F)=

No.	Lev.	Parts No.	Description	Q'ty						I	R
				(A)	(B)	(C)	(D)	(E)	(F)		
1	1	129901-11450	PROTECTOR, NOZZLE	3							
2	1	119600-11460	GASKET, NOZZLE	6							
3	1	105010-11490	CAP, VALVE	6							
4	1	119E10-11740	HEAD ASSY, CYLINDER	1							
11	2	119285-11990	PLUG, CUP TYPE 35	2							
12	2	23876-005000	PLUG, R005	1							
13	2	119E10-11100	VALVE, SUCTION	3							
14	2	119E10-11110	VALVE, EXHAUST	3							
15	2	119717-11131	SPRING, VALVE	6							
16	2	129508-11180	RETAINER, SPRING	6							
17	2	119717-11190	COTTER, VALVE	12							
18	2	119717-11340	SEAL, VALVE STEM	3							
19	2	119717-11350	SEAL, VALVE STEM	3							
20	1	22351-060012	PIN, SPRING 6.0X12	2							
21	1	119717-11200	SUPPORT ASSY, ROCKER	1							
22	2	119717-11240	SHAFT ASSY, ROCKER	1							
25	2	119717-11260	SUPPORT, ROCKER ARM	3							
26	2	119620-11280	SPRING, ROCKER	2							
27	2	119717-11650	ARM ASSY, ROCKER	6							
28	3	129150-11230	SCREW, VALVE ADJUST	6							
30	3	129150-11750	NUT, M8	6							
31	2	22242-000120	RING, 12	2							
32	2	26979-050162	SCREW, M5X16	1							
33	1	26106-080402	BOLT, M8X 40 PLATED	3							
34	1	124160-01751	CAP, FILLER	1							
35	1	119717-11381	BONNET ASSY, HEAD	1							
36	2	119717-03031	PLATE, BAFFLE	1							
37	3	119717-03070	BAFFLE, BREATHER	1							
38	2	119717-03070	BAFFLE, BREATHER	2							
39	2	119802-03100	DIAPHRAGM ASSY	1							
40	3	119802-03110	PLATE, DIAPHRAGM	1							
41	3	119802-03121	COVER, DIAPHRAGM	1							
42	3	119802-03131	DIAPHRAGM	1							
43	3	119802-03141	SPRING, DIAPHRAGM	1							
45	2	119718-11310	GASKET, BONNET	1							
46	2	119717-11320	COVER, BONNET	1							
47	2	119717-11331	GASKET	1							
48	2	22857-500100	SCREW, 5X10	4							
49	2	22857-500100	SCREW, 5X10	4							
50	2	22857-500160	SCREW, 5X16	2							
51	1	24311-000320	O-RING, 1AP32.0	1							
52	1	26106-060202	BOLT, M6X 20 PLATED	3							
53	1	26106-060752	BOLT, M6X 75 PLATED	6							
54	1	119226-07900	LIFTER, ENGINE	1							
55	1	26106-080162	BOLT, M8X 16 PLATED	2							
56	1	119717-77801	PLUG, GLOW	3							
57	1	119717-77820	CONNECTOR, GLOW PLUG	1							
58	1	119717-11800	GUIDE, VALVE	6							

Remarks  
(1)Spare parts.

Fig.5. AIR CLEANER



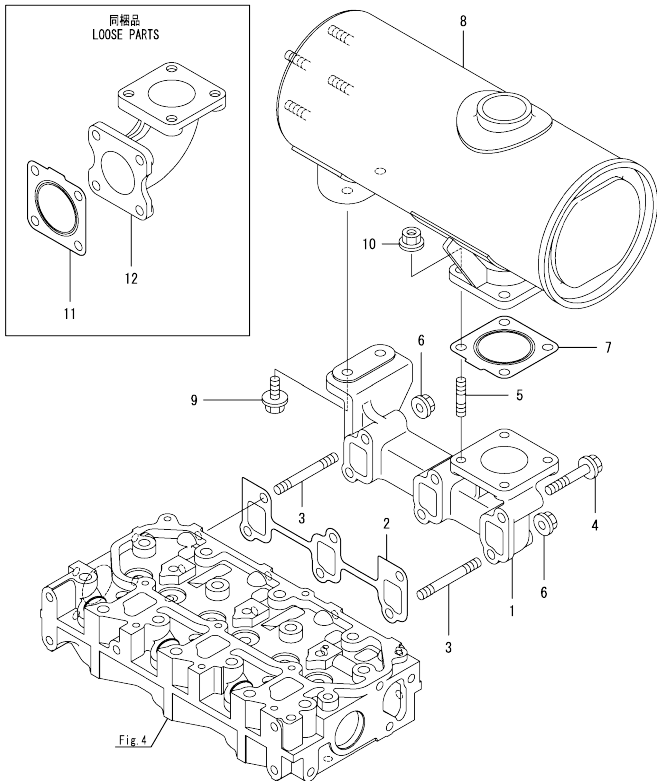
(A)=3TNV80F-SNMB  
(B)=  
(C)=

(D)=  
(E)=  
(F)=

No.	Lev.	Parts No.	Description	Q'ty					
				(A)	(B)	(C)	(D)	(E)	(F)
1	1	119761-12020	HOSE, AIR INTAKE	1					
2	1	119515-12501	AIR CLEANER ASSY	1					
3	2	119808-12540	VALVE, UNLOAD	1					
4	2	119655-12560	ELEMENT	1					
5	2	119336-12570	COVER ASSY	1					
6	2	105027-12580	RING, VALVE	1					
7	1	119761-12540	SUPPORT, AIR CLEANER	1					
8	1	23000-054000	CLAMP, 54	2					
9	1	26013-080222	BOLT, M8X 22	2					
10	1	26106-060142	BOLT, M6X 14 PLATED	3					
11	1	26106-080162	BOLT, M8X 16 PLATED	1					
12	1	119632-12211	PIPE, AIR INTAKE	1					
13	1	23000-060000	CLAMP, 60	2					



Fig.6. EXHAUST MANIFOLD & SILENCER

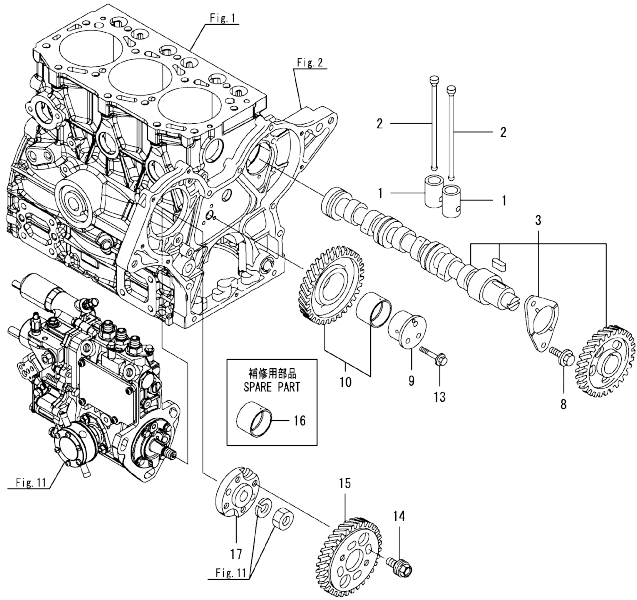


(A)=3TNV80F-SNMB  
(B)=  
(C)=

(D)=  
(E)=  
(F)=

No.	Lev.	Parts No.	Description	Q'ty						I	R
				(A)	(B)	(C)	(D)	(E)	(F)		
1	1	119717-13109	MANIFOLD, EXHAUST	1							
2	1	119717-13110	GASKET, EXH.MANIFOLD	1							
3	1	119717-13600	BOLT, STUD M8X50	2							
4	1	129E00-13610	BOLT, M8X50 10.9	4							
5	1	119131-18320	BOLT, STUD M8X22	4							
6	1	26306-080002	NUT, M8	2							
7	1	119515-13200	GASKET, SILENCER	1							
8	1	119717-13550	SILENCER	1							
9	1	26106-080252	BOLT, M8X 25 PLATED	2							
10	1	26306-080002	NUT, M8	4							
11	1	119515-13200	GASKET, SILENCER	2							
12	1	119620-13550	BEND	1							

Fig.7. CAMSHAFT & DRIVING GEAR



(A)=3TNV80F-SNMB  
(B)=  
(C)=

(D)=  
(E)=  
(F)=

No.	Lev.	Parts No.	Description	Q'ty						I	R
				(A)	(B)	(C)	(D)	(E)	(F)		
1	1	119620-14200	TAPPET	6							
2	1	119717-14400	PUSH-ROD	6							
3	1	119717-14581	CAMSHAFT ASSY	1							
8	1	26106-060122	BOLT, M6X 12 PLATED	2							
9	1	119717-25050	SHAFT, IDLE	1							
10	1	119717-25101	GEAR ASSY, IDLE	1							
13	1	26106-060352	BOLT, M6X 35 PLATED	3							
14	1	129150-25301	BOLT	4							
15	1	119717-25930	GEAR, PUMP	1							
16	1	119717-25911	BUSH, IDLE GEAR	1							1
17	1	119717-51150	FLANGE	1							

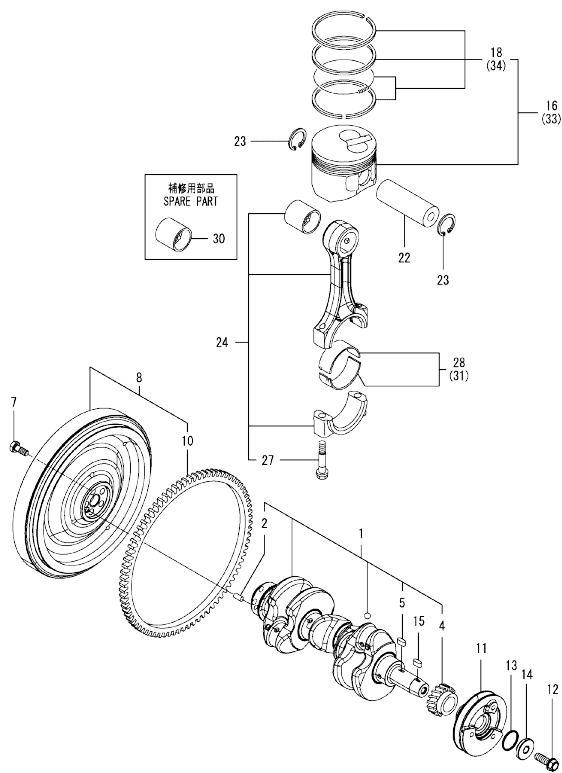
Remarks

(1)Spare parts.

Fig.8. CRANKSHAFT & PISTON

(A)=3TNV80F-SNMB  
(B)=  
(C)=

(D)=  
(E)=  
(F)=

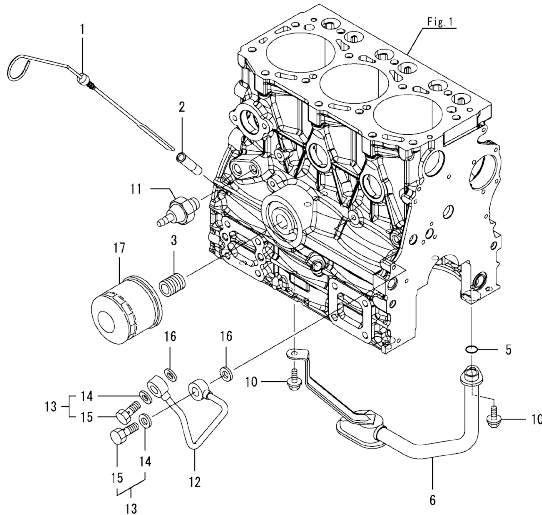


No.	Lev.	Parts No.	Description	Q'ty						I	R
				(A)	(B)	(C)	(D)	(E)	(F)		
1	1	119E10-21700	CRANKSHAFT ASSY	1							
2	2	129100-01580	PIN, PARALLEL 8X16	1							
4	2	119717-21200	GEAR, CRANKSHAFT	1							
5	2	22512-040120	KEY, 4X 12	1							
7	1	119620-21500	BOLT, FLYWHEEL	5							
8	1	119E40-21590	FLYWHEEL ASSY	1							
10	2	119865-21600	GEAR, RING Z=116	1							
11	1	119C10-21650	V-PULLEY, CRANKSHAFT	1							
12	1	119621-21681	BOLT, FLANGE 12X1.25	1							
13	1	119C10-21930	GASKET, WASHER	1							
14	1	119C10-21940	WASHER, V-PULLEY	1							
15	1	22512-040120	KEY, 4X 12	1							
16	1	119E10-22080	PISTON ASSY	3							
18	2	119E10-22500	RING ASSY	3							
22	1	119E10-22300	PIN, PISTON	3							
23	1	22525-000220	RING, 22	6							
24	1	119E10-23000	ROD ASSY, CONNECTING	3							
27	2	119717-23200	BOLT, CONNECTING ROD	6							
28	1	119717-23601	BEARING, CRANK PIN	3							
30	1	119717-23910	BEARING, PISTON PIN	3							1
31	1	119717-23611	METAL ASSY, 0.25	3							2
33	1	119E10-22900	PISTON ASSY, 0.25 OS	3							3
34	2	119E10-22550	RING ASSY, 0.25	3							3

Remarks

- (1) Spare parts.
- (2) Under-sized (U.S.=0.25) parts.
- (3) Over-sized (O.S.=0.25) parts.

Fig.9. LUB. OIL SYSTEM



(A)=3TNV80F-SNMB  
(B)=  
(C)=

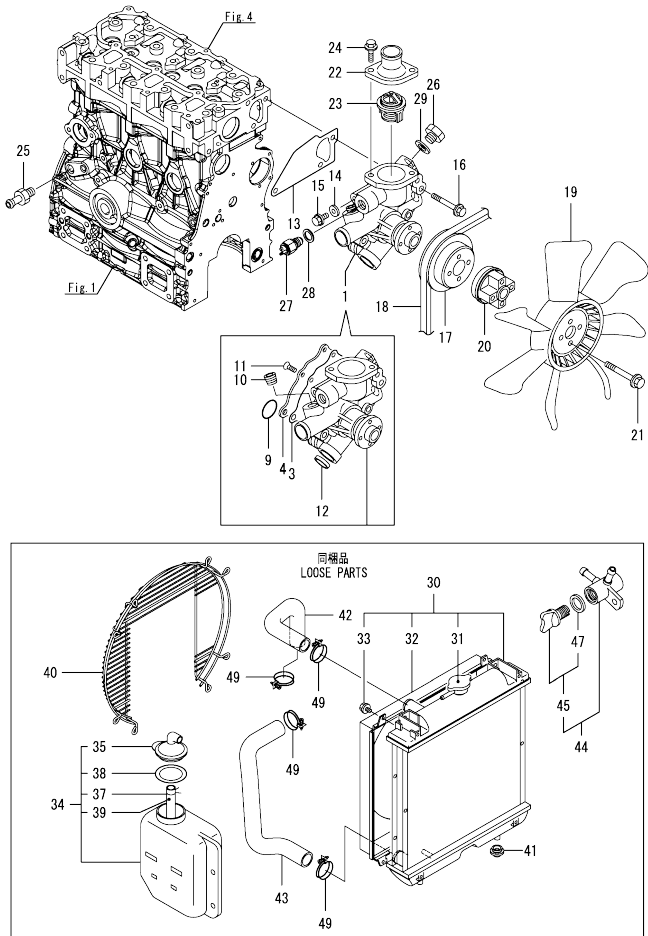
(D)=  
(E)=  
(F)=

No.	Lev.	Parts No.	Description	Q'ty						I	R
				(A)	(B)	(C)	(D)	(E)	(F)		
1	1	119740-34801	DIPSTICK, OIL	1							
2	1	121520-34810	GUIDE, DIPSTICK	1							
3	1	119717-35140	BOLT, STUD	1							
5	1	119717-32060	O-RING, P15.0	1							
6	1	119717-35080	PIPE ASSY, OIL INLET	1							
10	1	26106-060102	BOLT, M6X 10 PLATED	2							
11	1	114250-39450	SWITCH, HYDRAULIC	1							
12	1	119717-39210	PIPE, OIL	1							
13	1	129005-59830	BOLT ASSY, JOINT M8	2							
14	2	22190-080002	WASHER, SEAL 8	2							
15	2	23857-030000	BOLT, JOINT 3	2							
16	1	22190-080002	WASHER, SEAL 8	2							
17	1	119305-35151	FILTER ASSY, D68XL65	1							1

Remarks

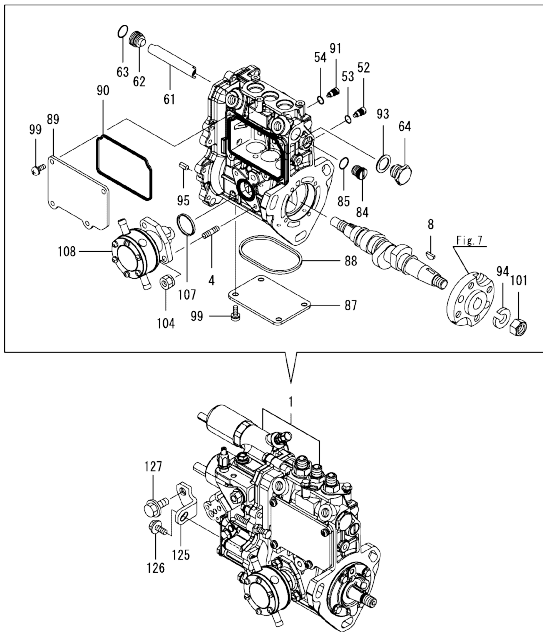
(1)Spare parts.

Fig.10. COOLING WATER SYSTEM



No.	Lev.	Parts No.	Description	Q'ty						I	R
				(A)	(B)	(C)	(D)	(E)	(F)		
1	1	119E10-42000	PUMP ASSY, WATER	1							
3	2	119717-42031	GASKET	1							
4	2	119717-42041	COVER	1							
9	2	119C10-42320	O-RING, 2028	1							
10	2	129916-49740	PLUG, R3/8	1							
11	2	26577-060122	SCREW, M6X12	4							
12	2	27241-250000	PLUG, 25	1							
13	1	119717-42020	GASKET, WATER PUMP	1							
14	1	23414-080000	GASKET, 8X1.0	1							
15	1	26106-080122	BOLT, M8X 12 PLATED	1							
16	1	26106-080502	BOLT, M8X 50 PLATED	3							
17	1	119717-42350	V-PULLEY, D=100	1							
18	1	25132-003600	V-BELT, A36	1							
19	1	119626-44741	FAN, COOLING D=320X7	1							
20	1	129030-44760	SPACER, FAN L38.5	1							
21	1	26106-060502	BOLT, M6X 50 PLATED	4							
22	1	129350-49530	COVER, THERMOSTAT	1							
23	1	119717-49800	THERMOSTAT, 71C	1							
24	1	26106-080202	BOLT, M8X 20 PLATED	2							
25	1	121550-49111	JOINT, PT1/4	1							
26	1	121450-42450	PLUG, M16	1							
27	1	121250-44901	SWITCH, THERMO 110	1							
28	1	124465-44950	GASKET, 16	1							
29	1	124465-44950	GASKET, 16	1							
30	1	129004-44500	RADIATOR ASSY	1							
31	2	129107-44590	CAP, RADIATOR	1							
32	2	119802-44600	SHROUD	1							
33	2	26014-060122	BOLT, M6X 12	4							
34	1	121468-44520	TANK ASSY, SUB	1							
35	2	121450-44531	CAP	1							
37	2	124450-44560	CLAMP, HOSE	1							
38	2	121470-44581	GASKET	1							
39	2	23065-070130	PIPE, 7X 130	1							
40	1	119802-44570	GUARD, FAN	1							
41	1	119255-44660	ABSORBER	2							
42	1	119802-49010	HOSE, WATER	1							
43	1	119940-49020	PIPE, WATER	1							
44	1	129150-49100	COCK ASSY, 3-WAY	1							
45	2	129150-49080	COCK, DRAIN	1							
47	3	119629-49080	GASKET	1							
49	1	23010-035000	CLAMP, 35	4							

Fig.11. FUEL INJECTION PUMP



(A)=3TNV80F-SNMB  
(B)=  
(C)=

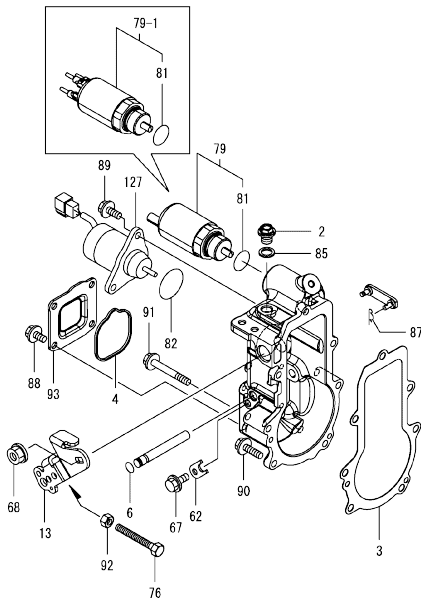
(D)=  
(E)=  
(F)=

No.	Lev.	Parts No.	Description	Q'ty						I	R
				(A)	(B)	(C)	(D)	(E)	(F)		
1	1	719E40-51380	FIE ASSY	1							1
4	2	129155-51020	STUD	2							
8	2	122710-51090	KEY, FEATHER	1							
52	2	158600-51270	STOPPER, TAPPET	3							
53	2	129155-51280	O-RING, S6	3							
54	2	129155-51280	O-RING, S6	1							
61	2	129155-51400	PROTECTOR	1							
62	2	158600-51410	PLUG, DEFLIFTER M12	1							
63	2	119717-51420	O-RING	1							
64	2	158600-51420	PLUG, DEFLIFTER M16	1							
84	2	158600-51570	PLUG, RACK	1							
85	2	129155-51580	O-RING	1							
87	2	129155-51701	COVER, PUMP BOTTOM	1							
88	2	119717-51711	GASKET, PUMP	1							
89	2	119717-51750	COVER, BODY SIDE	1							
90	2	119717-51761	GASKET, PUMP COVER	1							
91	2	158600-51790	STOPPER, RACK	1							
93	2	22190-160002	WASHER, SEAL 16	1							
94	2	22217-120000	WASHER, SPRING 12	1							
95	2	22351-050010	PIN, SPRING 5.0X10	2							
99	2	26022-050122	SCREW, M5X12	8							
101	2	26716-120002	NUT, M12	1							
104	2	119717-51860	NUT, M6	2							
107	2	129155-52051	GASKET, PUMP COVER	1							
108	2	129100-52101	PUMP ASSY, FUEL FEED	1							
125	1	119C10-51250	SUPPORT, FUEL PUMP	1							
125-1	1	119E10-51250	SUPPORT	1							N
		(A=E17511)									
126	1	26106-060142	BOLT, M6X 14 PLATED	1							
126-1	1	26106-060162	BOLT, M6X 16 PLATED	1							N
		(A=E17511)									
127	1	26106-080142	BOLT, M8X 14 PLATED	1							
127-1	1	26106-080162	BOLT, M8X 16 PLATED	1							N
		(A=E17511)									

Remarks

(1)Governor(Fig.12) is incorporated in this Fuel Injection Pump(No.1).

OCD50-M01510 3TNV80F-SNMB  
 Fig.12. GOVERNOR



OCD50-M01510 Fig.12

(A)=3TNV80F-SNMB  
 (B)=  
 (C)=

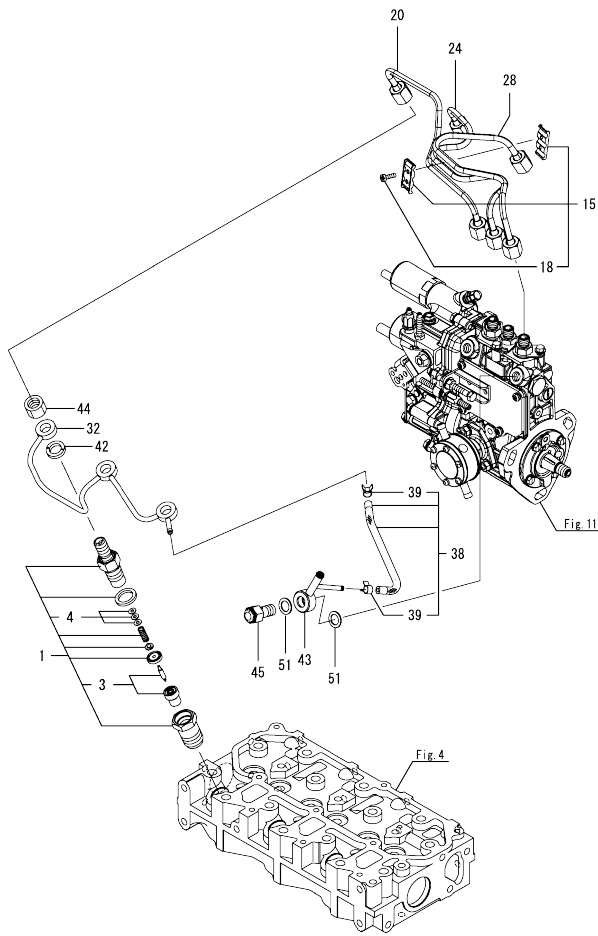
(D)=  
 (E)=  
 (F)=

No.	Lev.	Parts No.	Description	Q'ty						I	R
				(A)	(B)	(C)	(D)	(E)	(F)		
2	2	119717-51930	PLUG, M10	1							
3	2	119717-61050	GASKET, CASE	1							
4	2	119717-61070	GASKET, COVER	1							
6	2	129155-51280	O-RING, S6	1							
13	2	119515-61440	LEVER, CONTROL	1							
62	2	119660-61901	STOPPER, SHAFT	1							
67	2	26106-060102	BOLT, M6X 10 PLATED	1							
68	2	26366-080002	NUT, M8	1							
76	2	129155-61460	BOLT, IDLE LIMIT	1							
79	2	119C00-61900	SOLENOID, CONTROL	1							
79-1	2	119C00-61901	SOLENOID, POWER CONT	1							R
(A=E36452)											
81	3	24357-24020	PACKING, 24020	1							
82	2	158552-61900	O-RING	1							
85	2	22190-100002	WASHER, SEAL 10	1							
87	2	22372-040000	PIN, SNAP 4	1							
88	2	26106-060102	BOLT, M6X 10 PLATED	4							
89	2	26106-060142	BOLT, M6X 14 PLATED	2							
90	2	26106-060202	BOLT, M6X 20 PLATED	4							
91	2	26106-060452	BOLT, M6X 45 PLATED	3							
92	2	26756-060002	NUT, LOCK M6	1							
93	2	119717-61060	COVER, GOVERNOR CASE	1							
127	2	119233-77932	SOLENOID, STOP	1							

Remarks  
 \* This figure(Governor) is incorporated in the Fuel Injection Pump(Fig.11).

N:Old  $\frac{100}{100}$  New, Q:Old  $\frac{100}{100}$  New, R:Old  $\frac{100}{100}$  New, S:Old  $\frac{100}{100}$  New, W:Add, Z:Discontinued, F:Interchangeable by set, K:Q'ty Change  
 Copyright (C) 2015 YANMAR GLOBAL CS CO., LTD. All Rights Reserved.

Fig.13. FUEL INJECTION VALVE



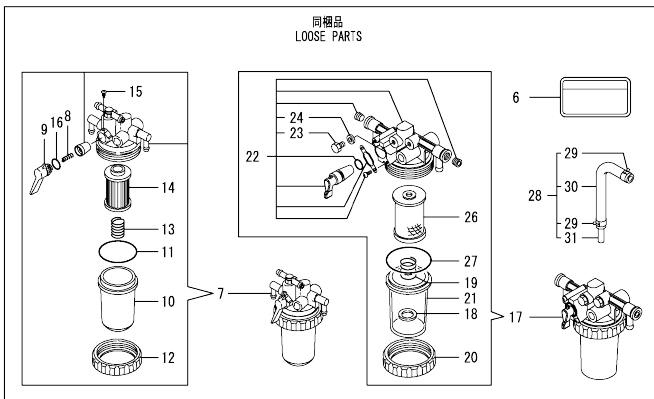
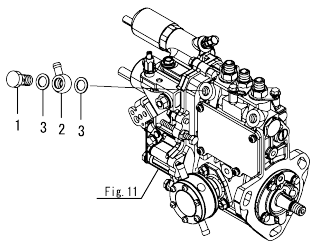
(A)=3TNV80F-SNMB  
(B)=  
(C)=

(D)=  
(E)=  
(F)=

No.	Lev.	Parts No.	Description	Q'ty						I	R
				(A)	(B)	(C)	(D)	(E)	(F)		
1	1	119C10-53000	NOZZLE ASSY, F.I.	3							
3	2	119C10-53010	NOZZLE ASSY	3							
4	2	129901-53800	SHIM SET, ADJUSTING	3							
15	1	129150-59120	RETAINER, PIPE	1							
18	2	129150-59131	BOLT, M4X14	2							
20	1	119E10-59810	PIPE ASSY,INJ.NO1	1							
24	1	119E10-59820	PIPE ASSY,INJ.NO2	1							
28	1	119E10-59830	PIPE ASSY,INJ.NO3	1							
32	1	119717-59510	PIPE ASSY, RETURN	1							
38	1	119744-59560	HOSE ASSY, RETURN	1							
39	2	124066-59100	CLAMP, HOSE 8	2							
42	1	129901-59560	GASKET	3							
43	1	119740-59590	JOINT, OVER FLOW	1							
44	1	119620-59700	NUT, NOZZLE	3							
45	1	119813-59950	VALVE ASSY, CHECK	1							
51	1	22190-120002	WASHER, SEAL 12	2							



Fig.14. FUEL FILTER

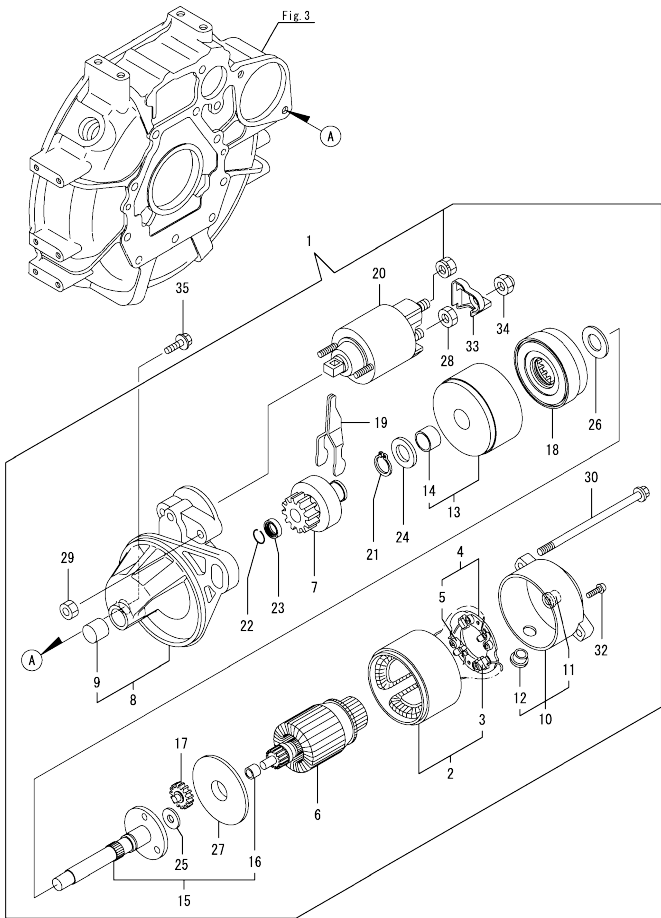


(A)=3TNV80F-SNMB  
(B)=  
(C)=

(D)=  
(E)=  
(F)=

No.	Lev.	Parts No.	Description	Qty						I	R	
				(A)	(B)	(C)	(D)	(E)	(F)			
1	1	103854-39140	BOLT, PIPE JOINT	1								
2	1	101304-59020	JOINT, PIPE 12	1								
3	1	22190-120002	WASHER, SEAL 12	2								
6	1	114110-07761	LABEL, FUEL OIL CAUT	1								
7	1	119833-55621	FILTER ASSY, FUEL	1								
8	2	104200-55330	SPRING, FUEL VALVE	1								
9	2	119810-55340	LEVER, FUEL	1								
10	2	121254-55510	CUP, FUEL STARINER	1								
11	2	102103-55520	O-RING	1								
12	2	110250-55610	RING, CUP RETAINING	1								
13	2	121250-55620	SPRING, ELEMENT	1								
14	2	119810-55650	ELEMENT	1								
15	2	104200-55750	SCREW, PAN M4	1								
16	2	24311-240100	O-RING, 1AP10A	1								
17	1	129335-55750	SEPARATOR ASSY,WATER	1								
18	2	129053-55640	FLOAT	1								
19	2	129053-55650	SPRING, SCREEN	1								
20	2	119833-55660	RING, RETAINING	1								
21	2	129335-55740	CUP	1								
22	2	129335-55770	BODY ASSY	1								
23	3	129242-55750	VALVE, AIR VENT	2								
24	3	129242-55760	GASKET, PLUG	2								
26	2	129335-55780	ELEMENT ASSY	1								
27	2	24311-000440	O-RING, 1AP44.0	1								
28	1	119840-59601	BEND	1								
29	2	124766-59050	CLAMP, HOSE 11.5	2								
30	2	119840-59611	BEND	1								
31	2	119840-59621	JOINT	1								

Fig.15. STARTER MOTOR

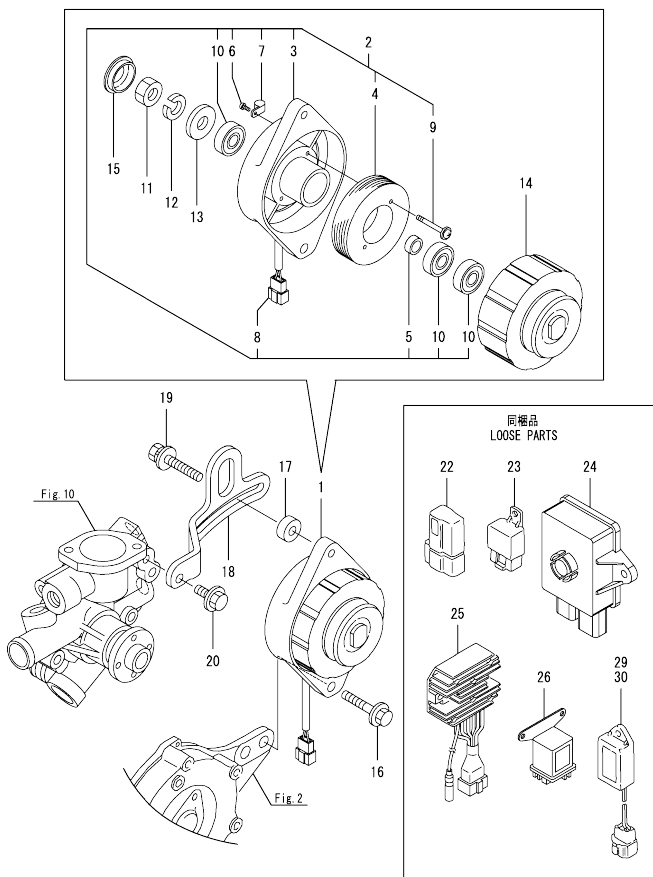


(A)=3TNV80F-SNMB  
(B)=  
(C)=

(D)=  
(E)=  
(F)=

No.	Lev.	Parts No.	Description	Q'ty						I	R
				(A)	(B)	(C)	(D)	(E)	(F)		
1	1	119717-77010	STARTER ASSY	1							
2	2	X0281007750	YOKE ASSY	1							
3	3	X0280996180	STARTER KIT	2							
4	2	X0285105190	HOLDER ASSY	1							
5	3	X0285205030	SPRING	4							
6	2	X0282005991	ARMATURE ASSY	1							
7	2	X0283006960	CLUTCH ASSY	1							
8	2	X4284001590	HOUSING ASSY	1							
9	3	X9491050100	BEARING, NEEDLE	1							
10	2	X0285007030	FRAME ASSY	1							
11	3	X9491040990	BEARING	1							
12	3	X0280626010	COVER	1							
13	2	X0284105040	BEARING ASSY	1							
14	3	X9491034330	BEARING	1							
15	2	X0286105010	SHAFT ASSY	1							
16	3	X9491034320	BEARING	1							
17	2	X0286305010	GEAR	3							
18	2	X0286355010	GEAR	1							
19	2	X0287405140	LEVER	1							
20	2	X2534000090	SWITCH ASSY	1							
21	2	X9055715000	RING	1							
22	2	X9490721360	RING	1							
23	2	X0280210331	NUT	1							
24	2	X9490138110	WASHER	1							
25	2	X9490138090	WASHER	1							
26	2	X9490138100	WASHER	1							
27	2	X0284525010	PLATE	1							
28	2	X9490562360	NUT	1							
29	2	X9490560750	NUT	2							
30	2	X9490423420	BOLT, THROUGH	2							
32	2	X9490065670	SCREW, M4X6	2							
33	2	X1280330020	COVER, TERMINAL	1							
34	2	X1289510130	NUT	1							
35	1	26106-100252	BOLT, M10X 25 PLATED	2							

Fig.16. GENERATOR



No.	Lev.	Parts No.	Description	Q'ty						I	R
				(A)	(B)	(C)	(D)	(E)	(F)		
1	1	119910-77200	DYNAMO ASSY	1							
2	2	X2A10592KA	PLATE ASSY	1							
3	3	X2A07075KB	PLATE, COIL	1							
4	3	X3A02982KC	STATOR ASSY	1							
5	3	X4A10092KA	COLLAR	1							
6	3	XYSPS400800	SCREW	1							
7	3	XM069000000	CLAMP	1							
8	3	XM771860000	COUPLER	1							
9	3	119259-77250	SCREW	2							
10	3	24104-062010	BEARING, 6201UUC3	3							
11	2	XM863720000	NUT	1							
12	2	XM219230000	WASHER, SPRING	1							
13	2	XM860250000	WASHER, 10	1							
14	2	X3A08863KA	FLYWHEEL ASSY	1							
15	2	XM771870000	CAP	1							
16	1	26106-100452	BOLT, M10X 45 PLATED	1							
17	1	119940-77270	SPACER	1							
18	1	119540-77300	ADJUSTER, BELT	1							
19	1	129972-77341	BOLT, ADJUST L=50	1							
20	1	26106-080202	BOLT, M8X 20 PLATED	1							
22	1	119643-66900	DIODE	1							
23	1	119247-77100	RELAY, POWER	1							
24	1	119C10-77600	DRIVER	1							
25	1	119653-77711	CURRENT LIMITER	1							
26	1	119650-77911	RELAY ASSY, GLOW	2							
29	1	129155-77925	TIMER	1							
30	1	129211-77920	TIMER	1							

## Parts No. Index

Parts No.	Fig. No.	Ref. No.	Parts No.	Fig. No.	Ref. No.	Parts No.	Fig. No.	Ref. No.	Parts No.	Fig. No.	Ref. No.
101304-59020	14	2	119717-01601	3	2	119717-51150	7	17	119C10-21940	8	14
102103-55520	14	11	119717-01720	3	7	119717-51420	11	63	119C10-42320	10	9
103854-39140	14	1	119717-01750	2	16	119717-51711	11	88	119C10-51250	11	125
104200-55330	14	8	119717-01800	2	7	119717-51750	11	89	119C10-53000	13	1
104200-55750	14	15	119717-02411	1	10	119717-51761	11	90	119C10-53010	13	3
105010-11490	4	3	119717-02930	1	23	119717-51860	11	104	119C10-77600	16	24
105027-12580	5	6	119717-03031	4	36	119717-51930	12	2	119E00-01560	1	1
105311-01090	1	4	119717-03070	4	37	119717-59510	13	32	119E10-01330	1	27
105425-01690	3	9			38	119717-61050	12	3	119E10-11100	4	13
110250-55610	14	12	119717-11131	4	15	119717-61060	12	93	119E10-11110	4	14
114110-07761	14	6	119717-11190	4	17	119717-61070	12	4	119E10-11740	4	4
114250-39450	9	11	119717-11200	4	21	119717-77010	15	1	119E10-21700	8	1
119131-18320	6	5	119717-11240	4	22	119717-77801	4	56	119E10-22080	8	16
119226-07900	4	54	119717-11260	4	25	119717-77820	4	57	119E10-22300	8	22
119233-77932	12	127	119717-11320	4	46	119718-11310	4	45	119E10-22500	8	18
119247-77100	16	23	119717-11331	4	47	119734-01590	2	3	119E10-22550	8	34
119255-44660	10	41	119717-11340	4	18	119740-01770	3	8	119E10-22900	8	33
119259-77250	16	9	119717-11350	4	19	119740-34801	9	1	119E10-23000	8	24
119285-01990	1	6	119717-11381	4	35	119740-59590	13	43	119E10-42000	10	1
119285-11990	4	11	119717-11650	4	27	119744-59560	13	38	119E10-51250	11	125 -1
119305-35151	9	17	119717-11800	4	58	119761-12020	5	1	119E10-59810	13	20
119336-12570	5	5	119717-13109	6	1	119761-12540	5	7	119E10-59820	13	24
119515-12501	5	2	119717-13110	6	2	119802-03100	4	39	119E10-59830	13	28
119515-13200	6	7	119717-13550	6	8	119802-03110	4	40	119E40-21590	8	8
		11	119717-13600	6	3	119802-03121	4	41	121250-44901	10	27
119515-61440	12	13	119717-14400	7	2	119802-03131	4	42	121250-55620	14	13
119540-77300	16	18	119717-14581	7	3	119802-03141	4	43	121254-55510	14	10
119600-11460	4	2	119717-21200	8	4	119802-32130	2	15	121450-42450	10	26
119620-01750	3	3	119717-23200	8	27	119802-44570	10	40	121450-44531	10	35
119620-02020	1	7	119717-23601	8	28	119802-44600	10	32	121468-44520	10	34
119620-11280	4	26	119717-23611	8	31	119802-49010	10	42	121470-44581	10	38
119620-13550	6	12	119717-23910	8	30	119808-12540	5	3	121520-34810	9	2
119620-14200	7	1	119717-25050	7	9	119810-01200	1	26	121550-49111	10	25
119620-21500	8	7	119717-25101	7	10	119810-02941	1	34	121850-51960	2	20
119620-59700	13	44	119717-25911	7	16	119810-55340	14	9	122710-51090	11	8
119621-21681	8	12	119717-25930	7	15	119810-55650	14	14	124060-01050	1	11
119623-01250	1	5	119717-32050	2	19	119813-59950	13	45	124066-59100	13	39
119624-32040	2	18	119717-32060	9	5	119833-55621	14	7	124085-02220	3	4
119626-44741	10	19	119717-32080	2	9	119833-55660	14	20	124160-01751	2	28
119629-49080	10	47	119717-32100	2	8	119840-59601	14	28		4	34
119632-12211	5	12	119717-32110	2	13	119840-59611	14	30	124160-01910	1	12
119643-66900	16	22	119717-32120	2	14	119840-59621	14	31	124450-44560	10	37
119650-77911	16	26	119717-35080	9	6	119865-21600	8	10	124465-44950	10	28
119653-77711	16	25	119717-35140	9	3	119910-77200	16	1			29
119655-12560	5	4	119717-39210	9	12	119940-49020	10	43	124766-59050	14	29
119660-01911	2	17	119717-42020	10	13	119940-77270	16	17	129001-32320	2	11
119660-61901	12	62	119717-42031	10	3	119C00-61900	12	79	129001-32330	2	12
119717-01501	2	1	119717-42041	10	4	119C00-61901	12	79 -1	129004-44500	10	30
119717-01521	2	5	119717-42350	10	17	119C10-21650	8	11	129005-59830	9	13
119717-01570	2	2	119717-49800	10	23	119C10-21930	8	13	129030-44760	10	20

## Parts No. Index

Parts No.	Fig. No.	Ref. No.
129053-55640	14	18
129053-55650	14	19
129100-01580	3	1
	8	2
129100-52101	11	108
129107-44590	10	31
129150-11230	4	28
129150-11750	4	30
129150-25301	7	14
129150-49080	10	45
129150-49100	10	44
129150-59120	13	15
129150-59131	13	18
129155-51020	11	4
129155-51280	11	53
		54
	12	6
129155-51400	11	61
129155-51580	11	85
129155-51701	11	87
129155-52051	11	107
129155-61460	12	76
129155-77925	16	29
129211-77920	16	30
129242-55750	14	23
129242-55760	14	24
129335-55740	14	21
129335-55750	14	17
129335-55770	14	22
129335-55780	14	26
129350-49530	10	22
129508-11180	4	16
129900-32130	2	10
129901-11450	4	1
129901-53800	13	4
129901-59560	13	42
129916-49740	10	10
129972-77341	16	19
129E00-13610	6	4
158552-61900	12	82
158600-51270	11	52
158600-51410	11	62
158600-51420	11	64
158600-51570	11	84
158600-51790	11	91
22190-080002	9	14
		16
22190-100002	12	85
22190-120002	13	51
	14	3

Parts No.	Fig. No.	Ref. No.
22190-160002	3	11
	11	93
22217-120000	11	94
22242-000120	4	31
22252-000220	8	23
22351-050010	11	95
22351-060012	4	20
22372-040000	12	87
22512-040120	8	5
		15
22857-500100	4	48
		49
22857-500160	4	50
23000-054000	5	8
23000-060000	5	13
23010-035000	10	49
23065-070130	10	39
23414-080000	10	14
23857-030000	9	15
23876-005000	4	12
23876-030000	2	6
24104-062010	16	10
24311-000320	2	29
	4	51
24311-000440	14	27
24311-240100	14	16
24357-240200	12	81
25132-003600	10	18
26013-080222	5	9
26014-060122	10	33
26022-050122	11	99
26106-060102	9	10
	12	67
		88
26106-060122	2	21
	7	8
26106-060142	5	10
	11	126
	12	89
26106-060162	2	22
	11	126 -1
26106-060202	4	52
	12	90
26106-060352	7	13
26106-060402	2	23
		24
26106-060452	12	91
26106-060502	10	21
26106-060602	2	25
26106-060652	2	26

Parts No.	Fig. No.	Ref. No.
26106-060752	4	53
26106-080122	3	12
	10	15
26106-080142	11	127
26106-080162	4	55
	5	11
	11	127 -1
26106-080202	10	24
	16	20
26106-080252	6	9
26106-080302	3	13
26106-080402	4	33
26106-080452	3	14
26106-080502	3	15
	10	16
26106-100252	15	35
26106-100452	16	16
26206-100252	3	5
26206-100302	3	6
26306-080002	2	27
	6	6
	10	10
26366-080002	12	68
26577-060122	10	11
26716-120002	11	101
26756-060002	12	92
26979-050162	4	32
27241-120000	1	13
27241-250000	10	12
719717-02901	1	28
719717-02911	1	31
719734-01500	2	4
719E40-51380	11	1
X0280210331	15	23
X0280626010	15	12
X0280996180	15	3
X0281007750	15	2
X0282005991	15	6
X0283006960	15	7
X0284105040	15	13
X0284525010	15	27
X0285007030	15	10
X0285105190	15	4
X0285205030	15	5
X0286105010	15	15
X0286305010	15	17
X0286355010	15	18
X0287405140	15	19
X1280330020	15	33
X1289510130	15	34

Parts No.	Fig. No.	Ref. No.
X2534000090	15	20
X2A07075KB	16	3
X2A10592KA	16	2
X3A02982KC	16	4
X3A08863KA	16	14
X4284001590	15	8
X4A10092KA	16	5
X9055715000	15	21
X9490065670	15	32
X9490138090	15	25
X9490138100	15	26
X9490138110	15	24
X9490423420	15	30
X9490560750	15	29
X9490562360	15	28
X9490721360	15	22
X9491034320	15	16
X9491034330	15	14
X9491040990	15	11
X9491050100	15	9
XM069000000	16	7
XM219230000	16	12
XM771860000	16	8
XM771870000	16	15
XM860250000	16	13
XM863720000	16	11
XYSPS400800	16	6