

0CD50-M02310EN

P R E F A C E

This parts catalog is the 1st edition of 3TNV80F-SNIME for IHImer.

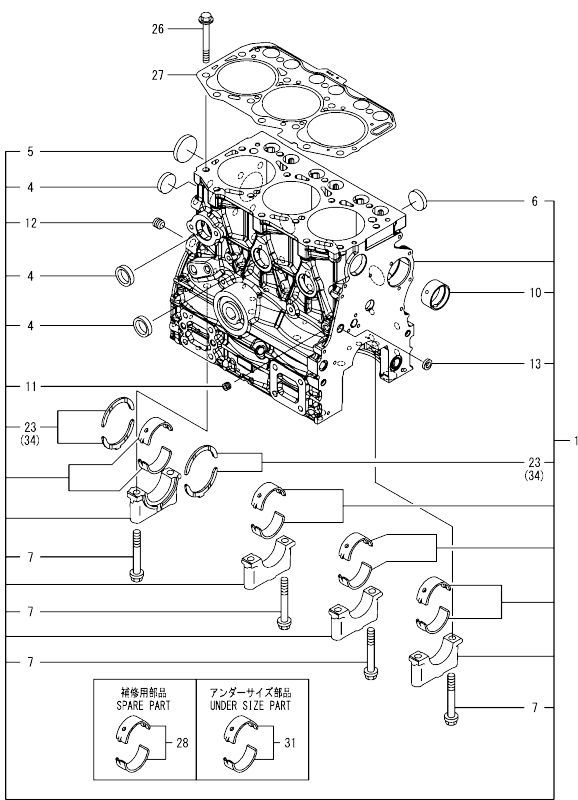
Published : May, 2016

Contents

0CD50-M02310

Fig. No.	Fig. Name	Fig. No.	Fig. Name
ENGINE			
1.	CYLINDER BLOCK		
2.	GEAR HOUSING		
3.	FLYWHEEL HOUSING & OIL SUMP		
4.	CYLINDER HEAD & BONNET		
5.	EXHAUST MANIFOLD		
6.	CAMSHAFT & DRIVING GEAR		
7.	CRANKSHAFT & PISTON		
8.	LUB. OIL SYSTEM		
9.	COOLING WATER SYSTEM		
10.	FUEL INJECTION PUMP		
11.	GOVERNOR		
12.	FUEL INJECTION VALVE		
13.	FUEL PIPE		
14.	STARTER MOTOR		
15.	GENERATOR		
16.	ACCESSORY		

Fig.1. CYLINDER BLOCK



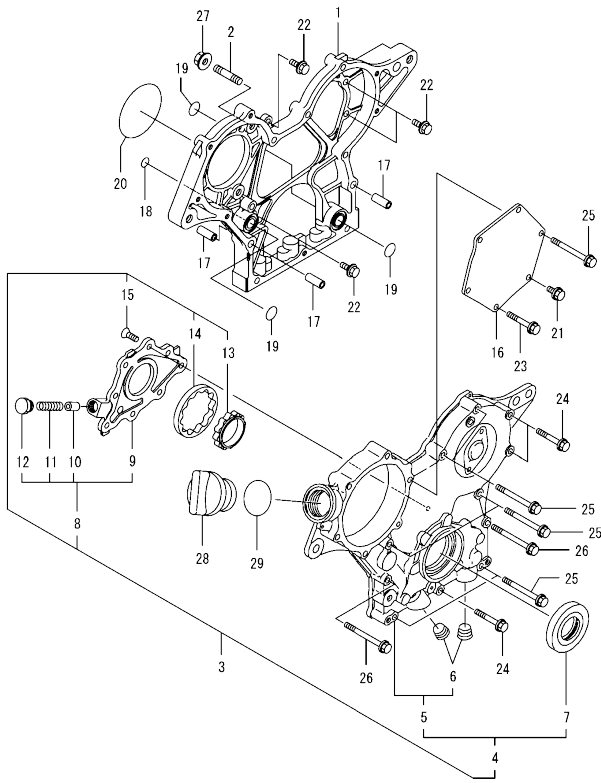
(A)=3TNV80F-SNIME
(B)=
(C)=

(D)=
(E)=
(F)=

No.	Lev.	Parts No.	Description	Q'ty						I	R
				(A)	(B)	(C)	(D)	(E)	(F)		
1	1	119E00-01560	BLOCK ASSY, CYLINDER	1							
4	2	105311-01090	PLUG, CUP TYPE 30	4							
5	2	119623-01250	PLUG, DISH TYPE 45	1							
6	2	119285-01990	PLUG, CUP TYPE 25	3							
7	2	119620-02020	BOLT, METAL CAP	8							
10	2	119717-02411	BUSH, CAMSHAFT	1							
11	2	124060-01050	PLUG, PT1/8	1							
12	2	124160-01910	PLUG, PT1/4	1							
13	2	27241-120000	PLUG, 12	1							
23	2	119717-02930	BEARING ASSY, THRUST	2							
26	1	119810-01200	BOLT, CYLINDER HEAD	14							
27	1	119E10-01330	GASKET SET, HEAD	1							
28	1	719717-02901	BEARING ASSY, MAIN	4							1
31	1	719717-02911	BEARING ASSY, MAIN	4							2
34	1	119810-02941	BEARING, THRUST 0.25	2							3

Remarks
 (1) Spare parts.
 (2) Under-sized (U.S.=0.25) parts.
 (3) Over-sized (O.S.=0.25) parts.

Fig.2. GEAR HOUSING

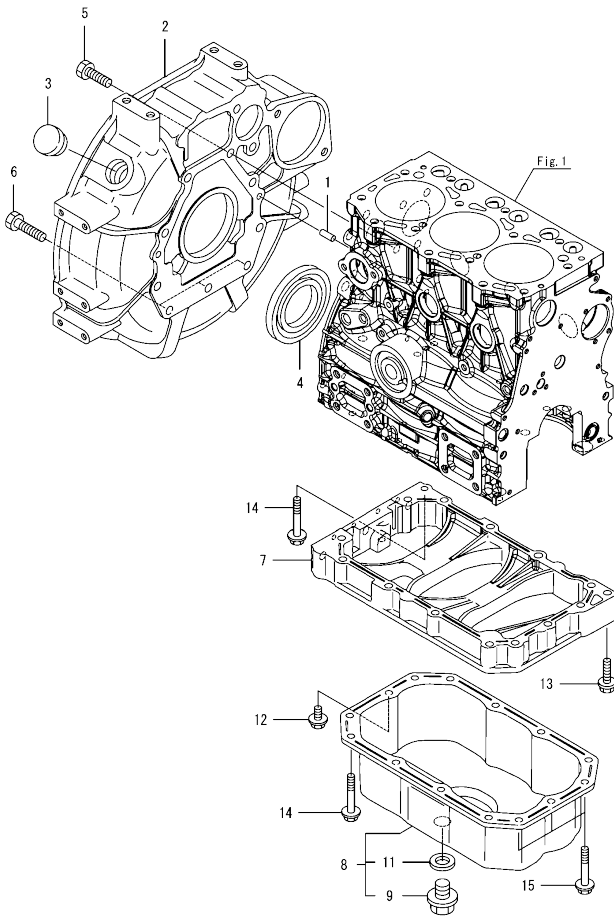


(A)=3TNV80F-SNIME
(B)=
(C)=

(D)=
(E)=
(F)=

No.	Lev.	Parts No.	Description	Qty						I	R
				(A)	(B)	(C)	(D)	(E)	(F)		
1	1	119717-01501	CASE, GEAR	1							
2	1	119717-01570	BOLT, STUD	3							
3	1	119734-01590	COVER ASSY,GEAR CASE	1							
4	2	719734-01500	COVER ASSY,GEAR CASE	1							
5	3	119717-01521	COVER, GEAR CASE	1							
6	4	23876-030000	PLUG, R03	2							
7	3	119717-01800	SEAL, OIL	1							
8	2	119717-32100	COVER ASSY	1							
9	3	119717-32080	COVER, PUMP	1							
10	3	129900-32130	VALVE, RELIEF	1							
11	3	129001-32320	SPRING	1							
12	3	129001-32330	PLUG	1							
13	2	119717-32110	ROTOR, INNER	1							
14	2	119717-32120	ROTOR, OUTER	1							
15	2	119802-32130	SCREW, M6X16	8							
16	1	119717-01750	COVER, PUMP	1							
17	1	119660-01911	PIPE, DOWEL 6X17	4							
18	1	119624-32040	O-RING, P12.0	1							
19	1	119717-32050	O-RING, P17.0	3							
20	1	121850-51960	O-RING	1							
21	1	26106-060122	BOLT, M6X 12 PLATED	1							
22	1	26106-060162	BOLT, M6X 16 PLATED	4							
23	1	26106-060402	BOLT, M6X 40 PLATED	4							
24	1	26106-060402	BOLT, M6X 40 PLATED	3							
25	1	26106-060602	BOLT, M6X 60 PLATED	7							
26	1	26106-060652	BOLT, M6X 65 PLATED	2							
27	1	26306-080002	NUT, M8	3							
28	1	124160-01751	CAP, FILLER	1							
29	1	24311-000320	O-RING, 1AP32.0	1							

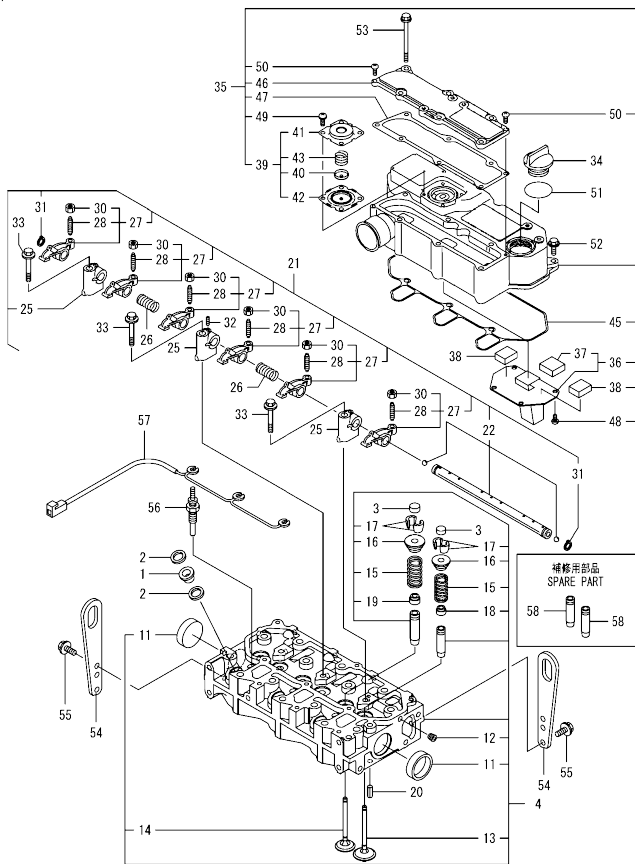
Fig.3. FLYWHEEL HOUSING & OIL SUMP



No.	Lev.	Parts No.	Description	Q'ty						I	R
				(A)	(B)	(C)	(D)	(E)	(F)		
1	1	129100-01580	PIN, PARALLEL 8X16	2							
2	1	119717-01601	HOUSING, FLYWHEEL	1							
3	1	119620-01750	CAP	1							
4	1	124085-02220	SEAL, OIL	1							
5	1	26206-100252	BOLT, M10X 25 PLATED	8							
6	1	26206-100302	BOLT, M10X 30 PLATED	3							
7	1	119717-01720	SPACER, OIL-PAN	1							
8	1	119740-01770	OIL PAN ASSY	1							
9	2	105425-01690	PLUG, M16	1							
11	2	22190-160002	WASHER, SEAL 16	1							
12	1	26106-080122	BOLT, M8X 12 PLATED	1							
13	1	26106-080302	BOLT, M8X 30 PLATED	1							
14	1	26106-080452	BOLT, M8X 45 PLATED	11							
15	1	26106-080502	BOLT, M8X 50 PLATED	3							

N:Old $\frac{100}{100}$ New, Q:Old $\frac{100}{100}$ New, R:Old $\frac{100}{100}$ New, S:Old $\frac{100}{100}$ New, W:Add, Z:Discontinued, F:Interchangeable by set, K:Q'ty Change
 Copyright (C) 2016 YANMAR GLOBAL CS CO., LTD. All Rights Reserved.

Fig.4. CYLINDER HEAD & BONNET



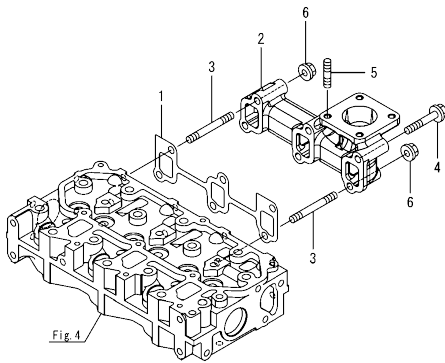
(A)=3TNV80F-SNIME
(B)=
(C)=

(D)=
(E)=
(F)=

No.	Lev.	Parts No.	Description	Q'ty						I	R
				(A)	(B)	(C)	(D)	(E)	(F)		
1	1	129901-11450	PROTECTOR, NOZZLE	3							
2	1	119600-11460	GASKET, NOZZLE	6							
3	1	105010-11490	CAP, VALVE	6							
4	1	119E10-11740	HEAD ASSY, CYLINDER	1							
11	2	119285-11990	PLUG, CUP TYPE 35	2							
12	2	23876-005000	PLUG, R005	1							
13	2	119E10-11100	VALVE, SUCTION	3							
14	2	119E10-11110	VALVE, EXHAUST	3							
15	2	119717-11131	SPRING, VALVE	6							
16	2	129508-11180	RETAINER, SPRING	6							
17	2	119717-11190	COTTER, VALVE	12							
18	2	119717-11340	SEAL, VALVE STEM	3							
19	2	119717-11350	SEAL, VALVE STEM	3							
20	1	22351-060012	PIN, SPRING 6.0X12	2							
21	1	119717-11200	SUPPORT ASSY, ROCKER	1							
22	2	119717-11240	SHAFT ASSY, ROCKER	1							
25	2	119717-11260	SUPPORT, ROCKER ARM	3							
26	2	119620-11280	SPRING, ROCKER	2							
27	2	119717-11650	ARM ASSY, ROCKER	6							
28	3	129150-11230	SCREW, VALVE ADJUST	6							
30	3	129150-11750	NUT, M8	6							
31	2	22242-000120	RING, 12	2							
32	2	26979-050162	SCREW, M5X16	1							
33	1	26106-080402	BOLT, M8X 40 PLATED	3							
34	1	124160-01751	CAP, FILLER	1							
35	1	119717-11381	BONNET ASSY, HEAD	1							
36	2	119717-03031	PLATE, BAFFLE	1							
37	3	119717-03070	BAFFLE, BREATHER	1							
38	2	119717-03070	BAFFLE, BREATHER	2							
39	2	119802-03100	DIAPHRAGM ASSY	1							
40	3	119802-03110	PLATE, DIAPHRAGM	1							
41	3	119802-03121	COVER, DIAPHRAGM	1							
42	3	119802-03131	DIAPHRAGM	1							
43	3	119802-03141	SPRING, DIAPHRAGM	1							
45	2	119718-11310	GASKET, BONNET	1							
46	2	119717-11320	COVER, BONNET	1							
47	2	119717-11331	GASKET	1							
48	2	22857-500100	SCREW, 5X10	4							
49	2	22857-500100	SCREW, 5X10	4							
50	2	22857-500160	SCREW, 5X16	2							
51	1	24311-000320	O-RING, 1AP32.0	1							
52	1	26106-060202	BOLT, M6X 20 PLATED	3							
53	1	26106-060752	BOLT, M6X 75 PLATED	6							
54	1	129900-07900	LIFTER, ENGINE	2							
55	1	26106-080162	BOLT, M8X 16 PLATED	4							
56	1	119717-77801	PLUG, GLOW	3							
57	1	119717-77820	CONNECTOR, GLOW PLUG	1							
58	1	119717-11800	GUIDE, VALVE	6							1

Remarks
(1)Spare parts.

Fig.5. EXHAUST MANIFOLD

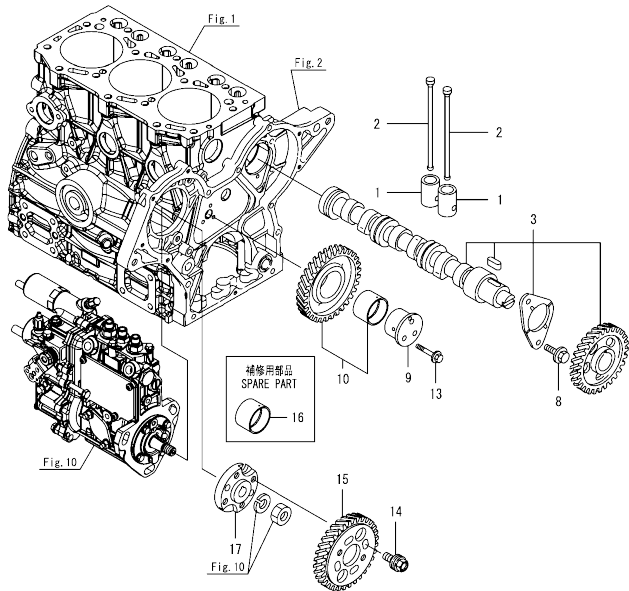


(A)=3TNV80F-SNIME
(B)=
(C)=

(D)=
(E)=
(F)=

No.	Lev.	Parts No.	Description	Q'ty					
				(A)	(B)	(C)	(D)	(E)	(F)
1	1	119717-13110	GASKET, EXH MANIFOLD	1					
2	1	119734-13110	MANIFOLD, EXHAUST	1					
3	1	119717-13600	BOLT, STUD M8X50	2					
4	1	129E00-13610	BOLT, M8X50	4					
5	1	119131-18320	BOLT, STUD M8X22	4					
6	1	26306-080002	NUT, M8	2					

Fig.6. CAMSHAFT & DRIVING GEAR



(A)=3TNV80F-SNIME
(B)=
(C)=

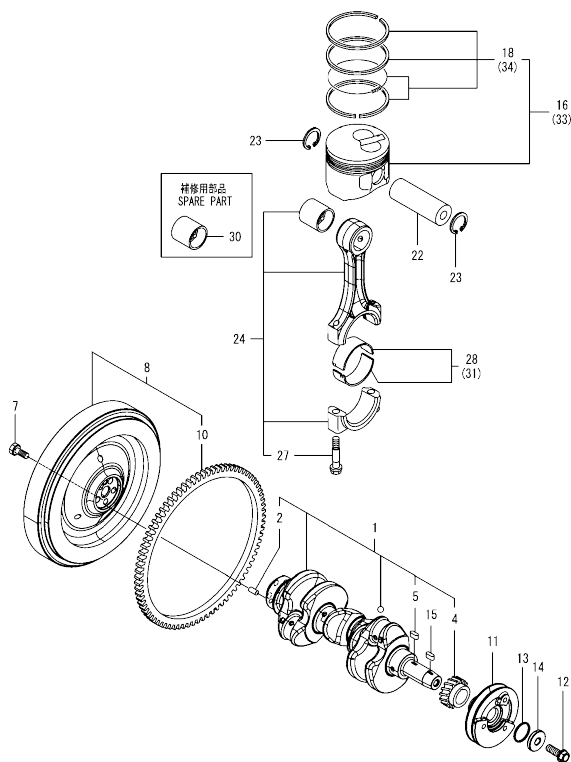
(D)=
(E)=
(F)=

No.	Lev.	Parts No.	Description	Q'ty						I	R
				(A)	(B)	(C)	(D)	(E)	(F)		
1	1	119620-14200	TAPPET	6							
2	1	119717-14400	PUSH-ROD	6							
3	1	119717-14581	CAMSHAFT ASSY	1							
8	1	26106-060122	BOLT, M6X 12 PLATED	2							
9	1	119717-25050	SHAFT, IDLE	1							
10	1	119717-25101	GEAR ASSY, IDLE	1							
13	1	26106-060352	BOLT, M6X 35 PLATED	3							
14	1	129150-25301	BOLT	4							
15	1	119717-25930	GEAR, PUMP	1							
16	1	119717-25911	BUSH, IDLE GEAR	1							1
17	1	119717-51150	FLANGE	1							

Remarks

(1)Spare parts.

Fig.7. CRANKSHAFT & PISTON



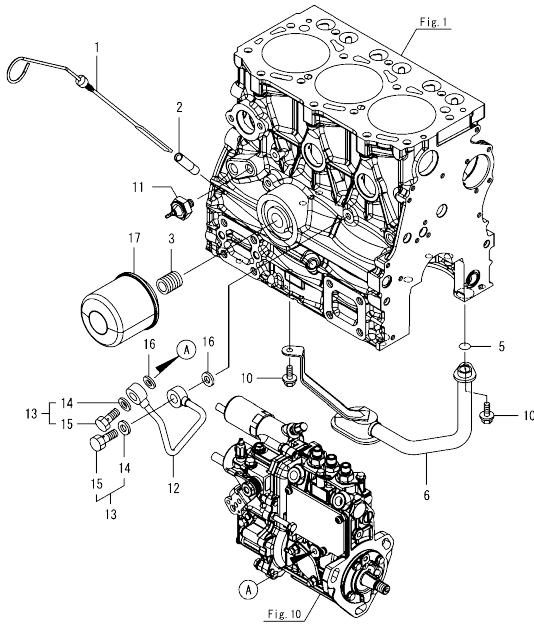
(A)=3TNV80F-SNIME
(B)=
(C)=

(D)=
(E)=
(F)=

No.	Lev.	Parts No.	Description	Q'ty						I	R
				(A)	(B)	(C)	(D)	(E)	(F)		
1	1	119E10-21700	CRANKSHAFT ASSY	1							
2	2	129100-01580	PIN, PARALLEL 8X16	1							
4	2	119717-21200	GEAR, CRANKSHAFT	1							
5	2	22512-040120	KEY, 4X 12	1							
7	1	121111-21501	BOLT, FLYWHEEL	5							
8	1	119E10-21590	FLYWHEEL ASSY	1							
10	2	119865-21600	GEAR, RING Z=116	1							
11	1	119C10-21650	V-PULLEY, CRANKSHAFT	1							
12	1	119621-21681	BOLT, FLANGE 12X1.25	1							
13	1	119C10-21930	GASKET, WASHER	1							
14	1	119C10-21940	WASHER, V-PULLEY	1							
15	1	22512-040120	KEY, 4X 12	1							
16	1	119E10-22080	PISTON ASSY	3							
18	2	119E10-22500	RING ASSY	3							
22	1	119E10-22300	PIN, PISTON	3							
23	1	22525-000220	RING, 22	6							
24	1	119E10-23000	ROD ASSY, CONNECTING	3							
27	2	119717-23200	BOLT, CONNECTING ROD	6							
28	1	119717-23601	BEARING, CRANK PIN	3							
30	1	119717-23910	BEARING, PISTON PIN	3							1
31	1	119717-23611	METAL ASSY, 0.25	3							2
33	1	119E10-22900	PISTON ASSY, 0.25 OS	3							3
34	2	119E10-22550	RING ASSY, 0.25	3							3

Remarks
 (1)Spare parts.
 (2)Under-sized(U.S.=0.25) parts.
 (3)Over-sized(O.S.=0.25) parts.

Fig.8. LUB. OIL SYSTEM



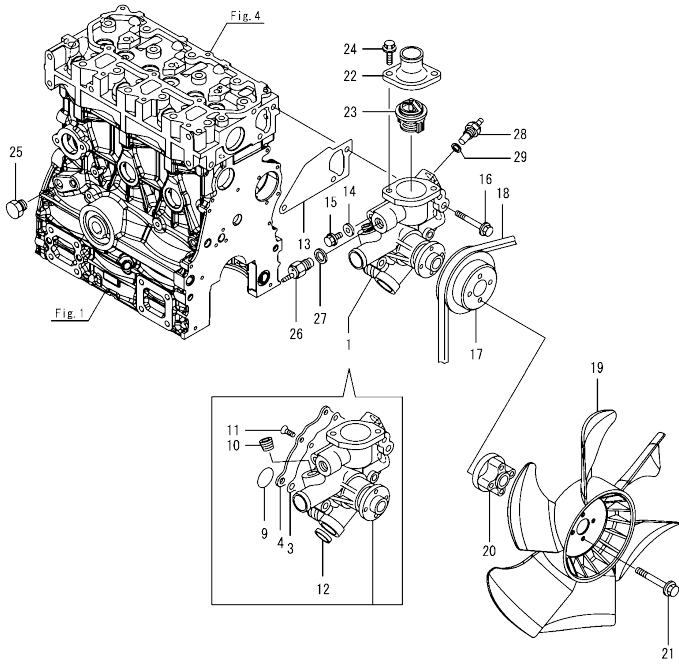
(A)=3TNV80F-SNIME
(B)=
(C)=

(D)=
(E)=
(F)=

No.	Lev.	Parts No.	Description	Q'ty						I	R
				(A)	(B)	(C)	(D)	(E)	(F)		
1	1	119740-34801	DIPSTICK, OIL	1							
2	1	121520-34810	GUIDE, DIPSTICK	1							
3	1	119717-35140	BOLT, STUD	1							
5	1	119717-32060	O-RING, P15.0	1							
6	1	119717-35080	PIPE ASSY, OIL INLET	1							
10	1	26106-060102	BOLT, M6X 10 PLATED	2							
11	1	114250-39450	SWITCH, HYDRAULIC	1							
12	1	119717-39210	PIPE, OIL	1							
13	1	129005-59830	BOLT ASSY, JOINT M8	2							
14	2	22190-080002	WASHER, SEAL 8	2							
15	2	23857-030000	BOLT, JOINT 3	2							
16	1	22190-080002	WASHER, SEAL 8	2							
17	1	119305-35151	FILTER ASSY, D68XL65	1							1

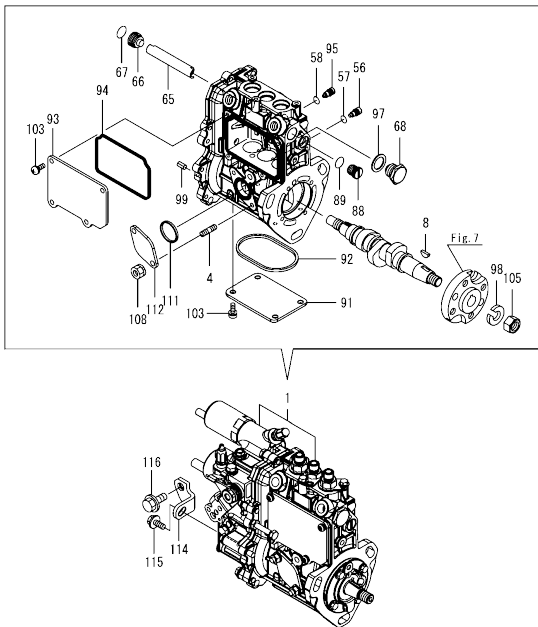
Remarks
(1)Spare parts.

Fig.9. COOLING WATER SYSTEM



No.	Lev.	Parts No.	Description	Q'ty						I	R
				(A)	(B)	(C)	(D)	(E)	(F)		
1	1	119E10-42000	PUMP ASSY, WATER	1							
3	2	119717-42031	GASKET	1							
4	2	119717-42041	COVER	1							
9	2	119C10-42320	O-RING, 2028	1							
10	2	129916-49740	PLUG, R3/8	1							
11	2	26577-060122	SCREW, M6X12	4							
12	2	27241-250000	PLUG, 25	1							
13	1	119717-42020	GASKET, WATER PUMP	1							
14	1	23414-080000	GASKET, 8X1.0	1							
15	1	26106-080122	BOLT, M8X 12 PLATED	1							
16	1	26106-080502	BOLT, M8X 50 PLATED	3							
17	1	119515-42350	V-PULLEY, D=110	1							
18	1	25132-003600	V-BELT, A36	1							
19	1	171340-44740	FAN, COOLING D335XNF	1							
20	1	129457-44760	SPACER, FAN	1							
21	1	26106-060452	BOLT, M6X 45 PLATED	4							
22	1	129350-49530	COVER, THERMOSTAT	1							
23	1	119717-49800	THERMOSTAT, 71C	1							
24	1	26106-080202	BOLT, M8X 20 PLATED	2							
25	1	171056-49120	PLUG, DRAIN R1/4	1							
26	1	121250-44901	SWITCH, THERMO 110	1							
27	1	124465-44950	GASKET, 16	1							
28	1	124250-49351	SENSOR, WATER TEMP.	1							
29	1	129150-49360	GASKET	1							

Fig.10. FUEL INJECTION PUMP



(A)=3TNV80F-SNIME
(B)=
(C)=

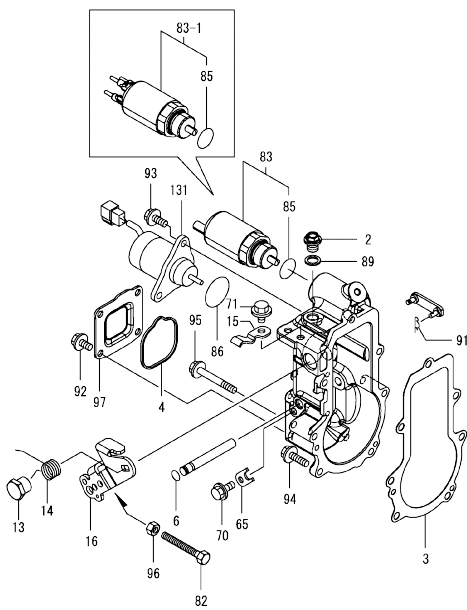
(D)=
(E)=
(F)=

No.	Lev.	Parts No.	Description	Q'ty						I	R
				(A)	(B)	(C)	(D)	(E)	(F)		
1	1	719E40-51400	FIE ASSY	1							1
4	2	129155-51020	STUD	2							
8	2	122710-51090	KEY, FEATHER	1							
56	2	158600-51270	STOPPER, TAPPET	3							
57	2	129155-51280	O-RING, S6	3							
58	2	129155-51280	O-RING, S6	1							
65	2	129155-51400	PROTECTOR	1							
66	2	158600-51410	PLUG, DEFLIFTER M12	1							
67	2	119717-51420	O-RING	1							
68	2	158600-51420	PLUG, DEFLIFTER M16	1							
88	2	158600-51570	PLUG, RACK	1							
89	2	129155-51580	O-RING	1							
91	2	129155-51701	COVER, PUMP BOTTOM	1							
92	2	119717-51711	GASKET, PUMP	1							
93	2	119717-51750	COVER, BODY SIDE	1							
94	2	119717-51761	GASKET, PUMP COVER	1							
95	2	158600-51790	STOPPER, RACK	1							
97	2	22190-160002	WASHER, SEAL 16	1							
98	2	22217-120000	WASHER, SPRING 12	1							
99	2	22351-050010	PIN, SPRING 5.0X10	2							
103	2	26022-050122	SCREW, M5X12	8							
105	2	26716-120002	NUT, M12	1							
108	2	119717-51860	NUT, M6	2							
111	2	129155-52051	GASKET, PUMP COVER	1							
112	2	129100-52200	COVER, FEED PUMP	1							
114	1	119C10-51250	SUPPORT, FUEL PUMP	1							
114-1	1	119E10-51250	SUPPORT	1							N
		(A=E32710)									
115	1	26106-060142	BOLT, M6X 14 PLATED	1							
115-1	1	26106-060162	BOLT, M6X 16 PLATED	1							N
		(A=E32710)									
116	1	26106-080142	BOLT, M8X 14 PLATED	1							
116-1	1	26106-080162	BOLT, M8X 16 PLATED	1							N
		(A=E32710)									

Remarks

(1)Governor(Fig.11) is incorporated in this Fuel Injection Pump(No.1).

Fig.11. GOVERNOR



(A)=3TNV80F-SNIME
(B)=
(C)=

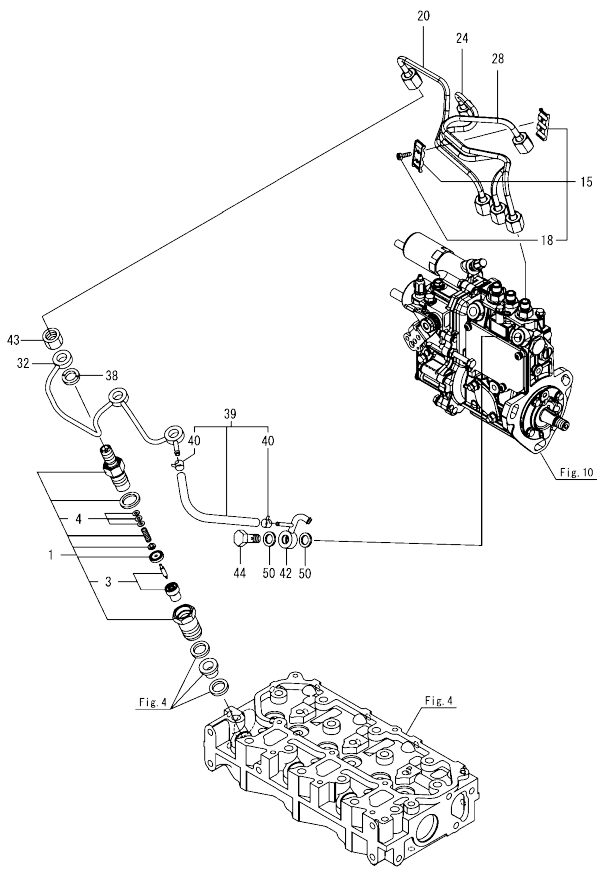
(D)=
(E)=
(F)=

No.	Lev.	Parts No.	Description	Q'ty						I	R
				(A)	(B)	(C)	(D)	(E)	(F)		
2	2	119717-51930	PLUG, M10	1							
3	2	119717-61050	GASKET, CASE	1							
4	2	119717-61070	GASKET, COVER	1							
6	2	129155-51280	O-RING, S6	1							
13	2	129255-61410	NUT, CONTROL LEVER	1							
14	2	119534-61420	SPRING, LEVER	1							
15	2	119534-61430	RETAINER	1							
16	2	119515-61440	LEVER, CONTROL	1							
65	2	119660-61901	STOPPER, SHAFT	1							
70	2	26106-060102	BOLT, M6X 10 PLATED	1							
71	2	26106-060102	BOLT, M6X 10 PLATED	1							
82	2	129155-61460	BOLT, IDLE LIMIT	1							
83	2	119C00-61900	SOLENOID, CONTROL	1							
83-1	2	119C00-61901	SOLENOID, POWER CONT	1							R
(A=2019.09)											
85	3	24357-240200	PACKING, 24020	1							
86	2	158552-61900	O-RING	1							
89	2	22190-100002	WASHER, SEAL 10	1							
91	2	22372-040000	PIN, SNAP 4	1							
92	2	26106-060102	BOLT, M6X 10 PLATED	4							
93	2	26106-060142	BOLT, M6X 14 PLATED	2							
94	2	26106-060202	BOLT, M6X 20 PLATED	4							
95	2	26106-060452	BOLT, M6X 45 PLATED	3							
96	2	26756-060002	NUT, LOCK M6	1							
97	2	119717-61060	COVER, GOVERNOR CASE	1							
131	2	119233-77932	SOLENOID, STOP	1							

Remarks

* This figure(Governor) is incorporated in the Fuel Injection Pump(Fig.10).

Fig.12. FUEL INJECTION VALVE



(A)=3TNV80F-SNIME
(B)=
(C)=

(D)=
(E)=
(F)=

No.	Lev.	Parts No.	Description	Q'ty						I	R
				(A)	(B)	(C)	(D)	(E)	(F)		
1	1	119C10-53000	NOZZLE ASSY, F.I.	3							
3	2	119C10-53010	NOZZLE ASSY	3							
4	2	129901-53800	SHIM SET, ADJUSTING	3							1
15	1	129150-59120	RETAINER, PIPE	1							
18	2	129150-59131	BOLT, M4X14	2							
20	1	119E10-59810	PIPE ASSY,INJ.NO1	1							
24	1	119E10-59820	PIPE ASSY,INJ.NO2	1							
28	1	119E10-59830	PIPE ASSY,INJ.NO3	1							
32	1	119717-59510	PIPE ASSY, RETURN	1							
38	1	129901-59560	GASKET	3							
39	1	119540-59570	HOSE ASSY, RETURN	1							
40	2	124066-59100	CLAMP, HOSE 8	2							
42	1	119515-59581	JOINT, OVER FLOW	1							
43	1	119620-59700	NUT, NOZZLE	3							
44	1	119813-59950	VALVE ASSY, CHECK	1							
50	1	22190-120002	WASHER, SEAL 12	2							

Remarks

(1)Spare parts.

OCD50-M02310 ENGINE

Fig.13. FUEL PIPE

OCD50-M02310 Fig.13

(A)=3TNV80F-SNIME
(B)=
(C)=

(D)=
(E)=
(F)=

No.	Lev.	Parts No.	Description	Q'ty					
				(A)	(B)	(C)	(D)	(E)	(F)
1	1	103854-39140	BOLT, PIPE JOINT	1					
2	1	101304-59020	JOINT, PIPE 12	1					
3	1	22190-120002	WASHER, SEAL 12	2					

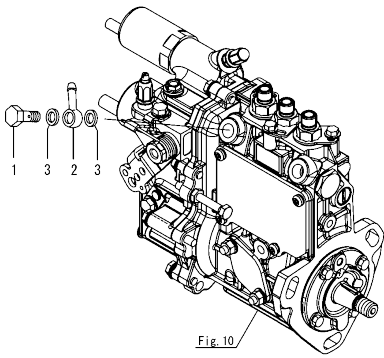
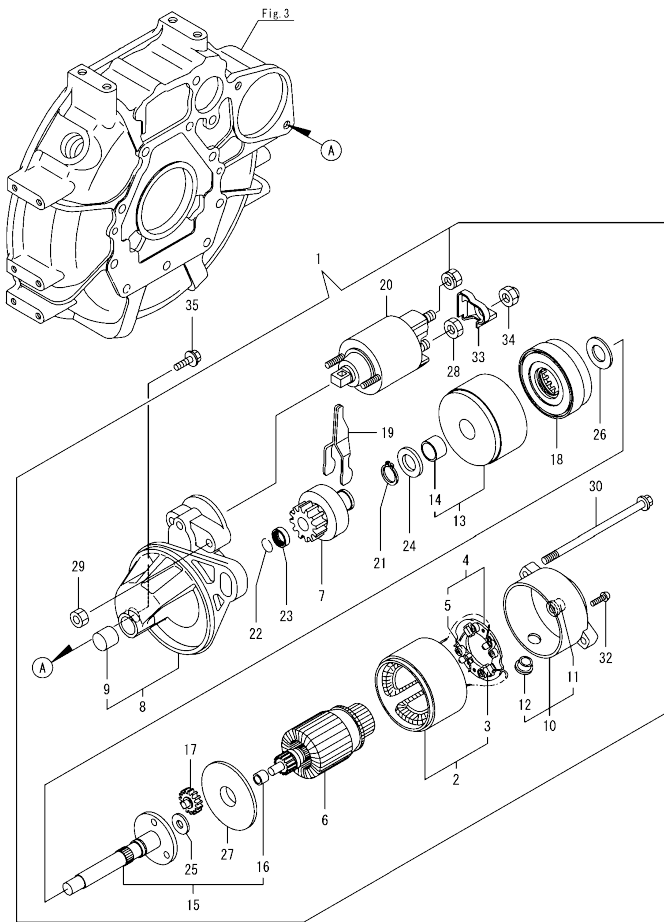


Fig.10

Fig.14. STARTER MOTOR

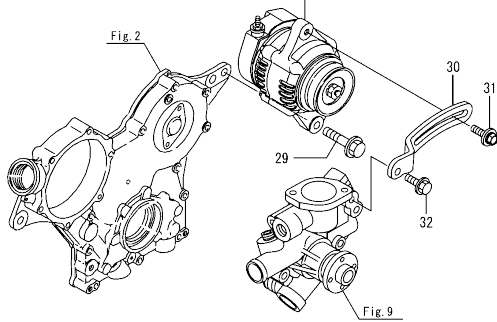
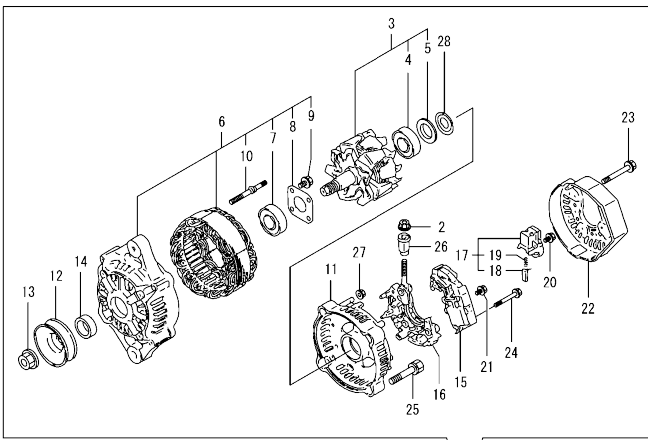


(A)=3TNV80F-SNIME
(B)=
(C)=

(D)=
(E)=
(F)=

No.	Lev.	Parts No.	Description	Q'ty						I	R
				(A)	(B)	(C)	(D)	(E)	(F)		
1	1	119717-77010	STARTER ASSY	1							
2	2	X0281007750	YOKE ASSY	1							
3	3	X0280996180	STARTER KIT	2							
4	2	X0285105190	HOLDER ASSY	1							
5	3	X0285205030	SPRING	4							
6	2	X0282005991	ARMATURE ASSY	1							
7	2	X0283006960	CLUTCH ASSY	1							
8	2	X4284001590	HOUSING ASSY	1							
9	3	X9491050100	BEARING, NEEDLE	1							
10	2	X0285007030	FRAME ASSY	1							
11	3	X9491040990	BEARING	1							
12	3	X0280626010	COVER	1							
13	2	X0284105040	BEARING ASSY	1							
14	3	X9491034330	BEARING	1							
15	2	X0286105010	SHAFT ASSY	1							
16	3	X9491034320	BEARING	1							
17	2	X0286305010	GEAR	3							
18	2	X0286355010	GEAR	1							
19	2	X0287405140	LEVER	1							
20	2	X2534000090	SWITCH ASSY	1							
21	2	X9055715000	RING	1							
22	2	X9490721360	RING	1							
23	2	X0280210331	NUT	1							
24	2	X9490138110	WASHER	1							
25	2	X9490138090	WASHER	1							
26	2	X9490138100	WASHER	1							
27	2	X0284525010	PLATE	1							
28	2	X9490562360	NUT	1							
29	2	X9490560750	NUT	2							
30	2	X9490423420	BOLT, THROUGH	2							
32	2	X9490065670	SCREW, M4X6	2							
33	2	X1280330020	COVER, TERMINAL	1							
34	2	X1289510130	NUT	1							
35	1	26106-100252	BOLT, M10X 25 PLATED	2							

Fig.15. GENERATOR

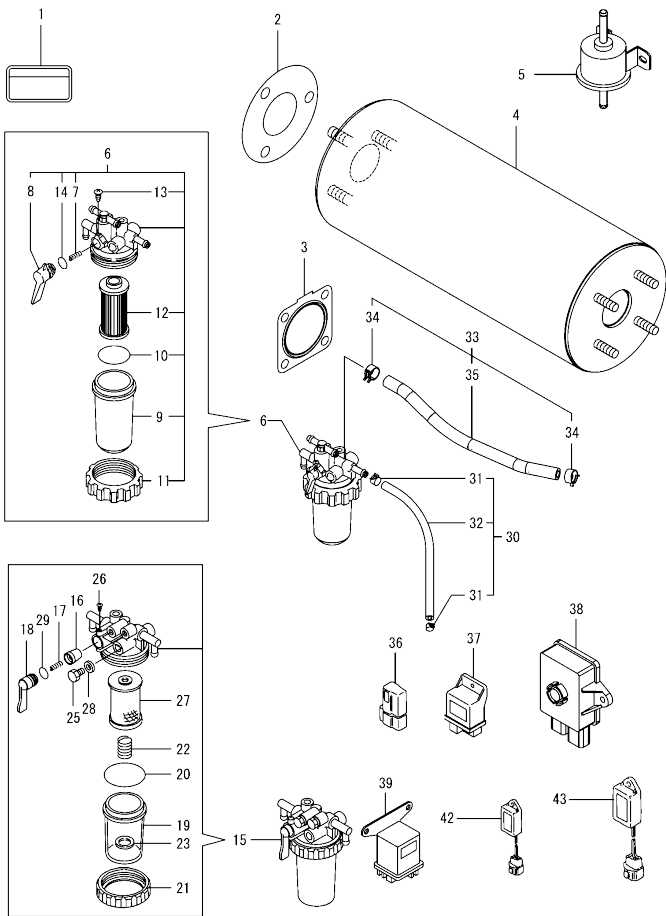


(A)=3TNV80F-SNIME
(B)=
(C)=

(D)=
(E)=
(F)=

No.	Lev.	Parts No.	Description	Q'ty						I	R
				(A)	(B)	(C)	(D)	(E)	(F)		
1	1	129423-77200	GENERATOR ASSY, 40A	1							
2	2	X9490561001	NUT	1							
3	2	119620-77380	ROTOR ASSY	1							
4	3	123501-79240	BEARING, BALL	1							
5	3	119620-79250	COVER, BEARING	1							
6	2	119620-77421	FRAME ASSY,GENERATOR	1							
7	3	119620-79200	BEARING, BALL	1							
8	3	119620-79210	RETAINER	1							
9	3	119620-79220	SCREW	4							
10	3	119620-79230	BOLT, STUD	2							
11	2	119620-77440	FRAME ASSY	1							
12	2	119620-77461	PULLEY, GENERATOR	1							
13	2	119620-77471	NUT	1							
14	2	119620-77490	COLLAR	1							
15	2	129423-77710	REGULATOR ASSY	1							
16	2	119620-79260	HOLDER	1							
17	2	129052-79270	HOLDER, BRUSH	1							
18	3	119620-77480	BRUSH	2							
19	3	119620-79280	SPRING	2							
20	2	119620-79290	SCREW	6							
21	2	119620-79300	SCREW	1							
22	2	129240-79300	COVER	1							
23	2	119620-79310	BOLT	3							
24	2	119620-79320	SCREW	2							
25	2	119620-79330	BOLT	2							
26	2	119620-79340	BUSH, INSULATION	1							
27	2	119620-79350	NUT	2							
28	2	119620-79360	WASHER, THRUST	1							
29	1	26106-100452	BOLT, M10X 45 PLATED	1							
30	1	119717-77330	ADJUSTER	1							
31	1	119810-77340	BOLT, ADJUST L=30	1							
32	1	26106-080202	BOLT, M8X 20 PLATED	1							

Fig.16. ACCESSORY



(A)=3TNV80F-SNIME
(B)=
(C)=

(D)=
(E)=
(F)=

No.	Lev.	Parts No.	Description	Qty						I	R
				(A)	(B)	(C)	(D)	(E)	(F)		
1	1	114110-07761	LABEL, FUEL OIL CAUT	1							
2	1	103954-13201	GASKET, SILENCER	1							
3	1	119515-13200	GASKET, SILENCER	2							
4	1	119515-13550	SILENCER	1							
5	1	119225-52102	PUMP, FUEL FEED	1							
6	1	119740-55601	STRAINER ASSY	1							
7	2	104200-55330	SPRING, FUEL VALVE	1							
8	2	119810-55340	LEVER, FUEL	1							
9	2	121254-55510	CUP, FUEL STARINER	1							
10	2	102103-55520	O-RING	1							
11	2	110250-55610	RING, CUP RETAINING	1							
12	2	119810-55650	ELEMENT	1							
13	2	104200-55750	SCREW, PAN M4	1							
14	2	24311-240100	O-RING, 1AP10A	1							
15	1	129335-55701	SEPARATOR ASSY,WATER	1							
16	2	104200-55321	VALVE, TAPER	1							
17	2	104200-55330	SPRING, FUEL VALVE	1							
18	2	104200-55341	HANDLE, COCK	1							
19	2	124064-55510	CUP, FUEL STARINER	1							
20	2	102103-55520	O-RING	1							
21	2	110250-55610	RING, CUP RETAINING	1							
22	2	121257-55720	SPRING, FILTER	1							
23	2	121257-55731	FLOAT	1							
25	2	101720-55750	PLUG, HEXAGON M6	2							
26	2	104200-55750	SCREW, PAN M4	1							
27	2	171081-55910	FILTER, FUEL	1							
28	2	23418-060000	GASKET, 6X1.0	2							
29	2	24311-240100	O-RING, 1AP10A	1							
30	1	129210-59040	HOSE ASSY, FUEL	1							
31	2	124766-59050	CLAMP, HOSE 11.5	2							
32	2	129555-59510	HOSE, D13/7.5X180	1							
33	1	129210-59070	HOSE ASSY, FUEL	1							
34	2	124766-59050	CLAMP, HOSE 11.5	2							
35	2	105025-59760	HOSE, FUEL	1							
36	1	119643-66900	DIODE	1							
37	1	119802-77200	RELAY, SAFETY	1							
38	1	119C10-77600	DRIVER	1							
39	1	119650-77911	RELAY ASSY, GLOW	1							
42	1	129155-77925	TIMER	1							
43	1	129211-77920	TIMER	1							

Parts No. Index

Parts No.	Fig. No.	Ref. No.	Parts No.	Fig. No.	Ref. No.	Parts No.	Fig. No.	Ref. No.	Parts No.	Fig. No.	Ref. No.
101304-59020	13	2	119620-79230	15	10	119717-23611	7	31	119810-55650	16	12
101720-55750	16	25	119620-79250	15	5	119717-23910	7	30	119810-77340	15	31
102103-55520	16	10	119620-79260	15	16	119717-25050	6	9	119813-59950	12	44
		20	119620-79280	15	19	119717-25101	6	10	119865-21600	7	10
103854-39140	13	1	119620-79290	15	20	119717-25911	6	16	119C00-61900	11	83
103954-13201	16	2	119620-79300	15	21	119717-25930	6	15	119C00-61901	11	83 -1
104200-55321	16	16	119620-79310	15	23	119717-32050	2	19	119C10-21650	7	11
104200-55330	16	7	119620-79320	15	24	119717-32060	8	5	119C10-21930	7	13
		17	119620-79330	15	25	119717-32080	2	9	119C10-21940	7	14
104200-55341	16	18	119620-79340	15	26	119717-32100	2	8	119C10-42320	9	9
104200-55750	16	13	119620-79350	15	27	119717-32110	2	13	119C10-51250	10	114
		26	119620-79360	15	28	119717-32120	2	14	119C10-53000	12	1
105010-11490	4	3	119621-21681	7	12	119717-35080	8	6	119C10-53010	12	3
105025-59760	16	35	119623-01250	1	5	119717-35140	8	3	119C10-77600	16	38
105311-01090	1	4	119624-32040	2	18	119717-39210	8	12	119E00-01560	1	1
105425-01690	3	9	119643-66900	16	36	119717-42020	9	13	119E10-01330	1	27
110250-55610	16	11	119650-77911	16	39	119717-42031	9	3	119E10-11100	4	13
		21	119660-01911	2	17	119717-42041	9	4	119E10-11110	4	14
114110-07761	16	1	119660-61901	11	65	119717-49800	9	23	119E10-11740	4	4
114250-39450	8	11	119717-01501	2	1	119717-51150	6	17	119E10-21590	7	8
119131-18320	5	5	119717-01521	2	5	119717-51420	10	67	119E10-21700	7	1
119225-52102	16	5	119717-01570	2	2	119717-51711	10	92	119E10-22080	7	16
119233-77932	11	131	119717-01601	3	2	119717-51750	10	93	119E10-22300	7	22
119285-01990	1	6	119717-01720	3	7	119717-51761	10	94	119E10-22500	7	18
119285-11990	4	11	119717-01750	2	16	119717-51860	10	108	119E10-22550	7	34
119305-35151	8	17	119717-01800	2	7	119717-51930	11	2	119E10-22900	7	33
119515-13200	16	3	119717-02411	1	10	119717-59510	12	32	119E10-23000	7	24
119515-13550	16	4	119717-02930	1	23	119717-61050	11	3	119E10-42000	9	1
119515-42350	9	17	119717-03031	4	36	119717-61060	11	97	119E10-51250	10	114 -1
119515-59581	12	42	119717-03070	4	37	119717-61070	11	4	119E10-59810	12	20
119515-61440	11	16			38	119717-77010	14	1	119E10-59820	12	24
119534-61420	11	14	119717-11131	4	15	119717-77330	15	30	119E10-59830	12	28
119534-61430	11	15	119717-11190	4	17	119717-77801	4	56	121111-21501	7	7
119540-59570	12	39	119717-11200	4	21	119717-77820	4	57	121250-44901	9	26
119600-11460	4	2	119717-11240	4	22	119718-11310	4	45	121254-55510	16	9
119620-01750	3	3	119717-11260	4	25	119734-01590	2	3	121257-55720	16	22
119620-02020	1	7	119717-11320	4	46	119734-13110	5	2	121257-55731	16	23
119620-11280	4	26	119717-11331	4	47	119740-01770	3	8	121520-34810	8	2
119620-14200	6	1	119717-11340	4	18	119740-34801	8	1	121850-51960	2	20
119620-59700	12	43	119717-11350	4	19	119740-55601	16	6	122710-51090	10	8
119620-77380	15	3	119717-11381	4	35	119802-03100	4	39	123501-79240	15	4
119620-77421	15	6	119717-11650	4	27	119802-03110	4	40	124060-01050	1	11
119620-77440	15	11	119717-11800	4	58	119802-03121	4	41	124064-55510	16	19
119620-77461	15	12	119717-13110	5	1	119802-03131	4	42	124066-59100	12	40
119620-77471	15	13	119717-13600	5	3	119802-03141	4	43	124085-02220	3	4
119620-77480	15	18	119717-14400	6	2	119802-32130	2	15	124160-01751	2	28
119620-77490	15	14	119717-14581	6	3	119802-77200	16	37		4	34
119620-79200	15	7	119717-21200	7	4	119810-01200	1	26	124160-01910	1	12
119620-79210	15	8	119717-23200	7	27	119810-02941	1	34	124250-49351	9	28
119620-79220	15	9	119717-23601	7	28	119810-55340	16	8	124465-44950	9	27

Parts No. Index

Parts No.	Fig. No.	Ref. No.
124766-59050	16	31
		34
129001-32320	2	11
129001-32330	2	12
129005-59830	8	13
129052-79270	15	17
129100-01580	3	1
	7	2
129100-52200	10	112
129150-11230	4	28
129150-11750	4	30
129150-25301	6	14
129150-49360	9	29
129150-59120	12	15
129150-59131	12	18
129155-51020	10	4
129155-51280	10	57
		58
	11	6
129155-51400	10	65
129155-51580	10	89
129155-51701	10	91
129155-52051	10	111
129155-61460	11	82
129155-77925	16	42
129210-59040	16	30
129210-59070	16	33
129211-77920	16	43
129240-79300	15	22
129255-61410	11	13
129335-55701	16	15
129350-49530	9	22
129423-77200	15	1
129423-77710	15	15
129457-44760	9	20
129508-11180	4	16
129555-59510	16	32
129900-07900	4	54
129900-32130	2	10
129901-11450	4	1
129901-53800	12	4
129901-59560	12	38
129916-49740	9	10
129E00-13610	5	4
158552-61900	11	86
158600-51270	10	56
158600-51410	10	66
158600-51420	10	68
158600-51570	10	88
158600-51790	10	95

Parts No.	Fig. No.	Ref. No.
171056-49120	9	25
171081-55910	16	27
171340-44740	9	19
22190-080002	8	14
		16
22190-100002	11	89
22190-120002	12	50
	13	3
22190-160002	3	11
	10	97
22217-120000	10	98
22242-000120	4	31
22252-000220	7	23
22351-050010	10	99
22351-060012	4	20
22372-040000	11	91
22512-040120	7	5
		15
22857-500100	4	48
		49
22857-500160	4	50
23414-080000	9	14
23418-060000	16	28
23857-030000	8	15
23876-005000	4	12
23876-030000	2	6
24311-000320	2	29
	4	51
24311-240100	16	14
		29
24357-240200	11	85
25132-003600	9	18
26022-050122	10	103
26106-060102	8	10
	11	70
		71
		92
26106-060122	2	21
	6	8
26106-060142	10	115
	11	93
26106-060162	2	22
	10	115 -1
26106-060202	4	52
	11	94
26106-060352	6	13
26106-060402	2	23
		24
26106-060452	9	21
	11	95

Parts No.	Fig. No.	Ref. No.
26106-060602	2	25
26106-060652	2	26
26106-060752	4	53
26106-080122	3	12
	9	15
26106-080142	10	116
26106-080162	4	55
	10	116 -1
26106-080202	9	24
	15	32
26106-080302	3	13
26106-080402	4	33
26106-080452	3	14
26106-080502	3	15
	9	16
26106-100252	14	35
26106-100452	15	29
26206-100252	3	5
26206-100302	3	6
26306-080002	2	27
	5	6
26577-060122	9	11
26716-120002	10	105
26756-060002	11	96
26979-050162	4	32
27241-120000	1	13
27241-250000	9	12
719717-02901	1	28
719717-02911	1	31
719734-01500	2	4
719E40-51400	10	1
X0280210331	14	23
X0280626010	14	12
X0280996180	14	3
X0281007750	14	2
X0282005991	14	6
X0283006960	14	7
X0284105040	14	13
X0284525010	14	27
X0285007030	14	10
X0285105190	14	4
X0285205030	14	5
X0286105010	14	15
X0286305010	14	17
X0286355010	14	18
X0287405140	14	19
X1280330020	14	33
X1289510130	14	34
X2534000090	14	20
X4284001590	14	8

Parts No.	Fig. No.	Ref. No.
X9055715000	14	21
X9490065670	14	32
X9490138090	14	25
X9490138100	14	26
X9490138110	14	24
X9490423420	14	30
X9490560750	14	29
X9490561001	15	2
X9490562360	14	28
X9490721360	14	22
X9491034320	14	16
X9491034330	14	14
X9491040990	14	11
X9491050100	14	9