

0CD50-M00970EN

# P R E F A C E

1. This parts catalog is the 1st edition of 3TNV80F-SNFK for FURUKAWA UNIC CORPORATION.

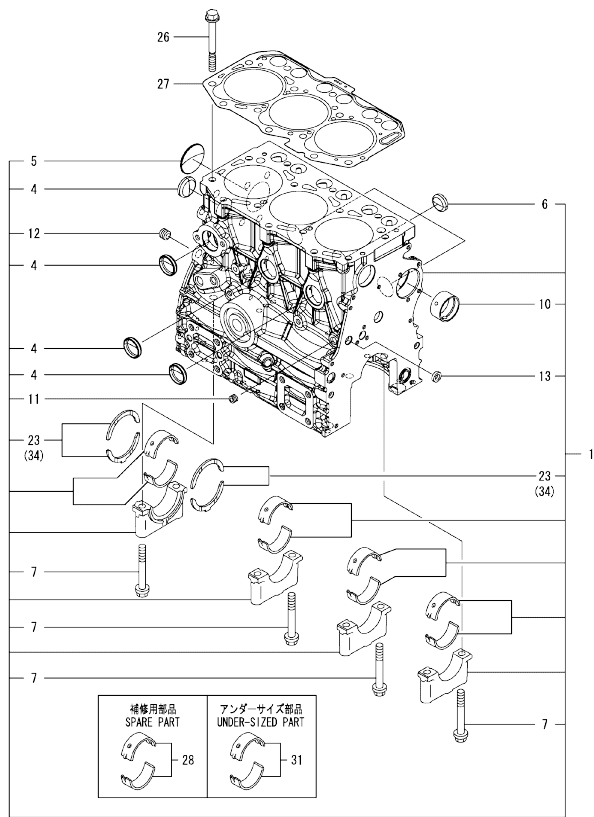
Published : December, 2014

## Contents

OCD50-M00970

Fig. No.	Fig. Name	Fig. No.	Fig. Name
	3TNV80F-SNFK		
1.	CYLINDER BLOCK		
2.	GEAR HOUSING		
3.	FLYWHEEL HOUSING & OIL SUMP		
4.	CYLINDER HEAD & BONNET		
5.	AIR CLEANER		
6.	EXHAUST MANIFOLD & SILENCER		
7.	CAMSHAFT & DRIVING GEAR		
8.	CRANKSHAFT & PISTON		
9.	LUB. OIL SYSTEM		
10.	COOLING WATER SYSTEM		
11.	FUEL INJECTION PUMP		
12.	GOVERNOR		
13.	FUEL INJECTION VALVE		
14.	FUEL FILTER		
15.	STARTER MOTOR		
16.	GENERATOR		
17.	GASKET SET		

Fig.1. CYLINDER BLOCK



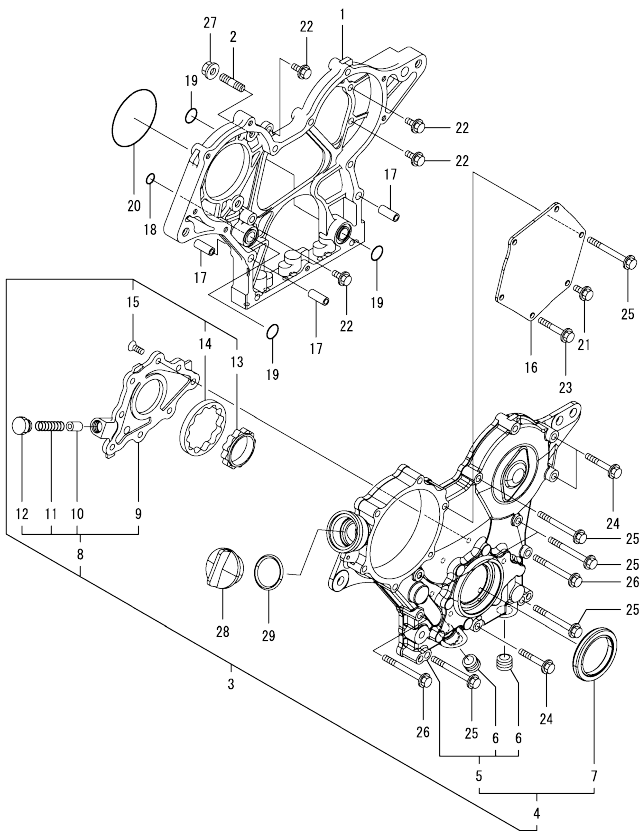
(A)=3TNV80F-SNFK  
(B)=  
(C)=

(D)=  
(E)=  
(F)=

No.	Lev.	Parts No.	Description	Q'ty						I	R
				(A)	(B)	(C)	(D)	(E)	(F)		
1	1	119E00-01560	BLOCK ASSY, CYLINDER	1							
4	2	105311-01090	PLUG, 30	4							
5	2	119623-01250	PLUG, 45	1							
6	2	119285-01990	PLUG, 25	3							
7	2	119620-02020	BOLT, METAL CAP	8							
10	2	119717-02411	BUSH, CAMSHAFT	1							
11	2	124060-01050	PLUG, PT1/8	1							
12	2	124160-01910	PLUG, PT1/4	1							
13	2	27241-120000	PLUG, 12	1							
23	2	119717-02930	BEARING, THRUST	2							
26	1	119810-01200	BOLT, HEAD	14							
27	1	119E10-01330	GASKET SET, HEAD	1							
28	1	719717-02901	BEARING, MAIN	4							1
31	1	719717-02911	BEARING, 0.25 US	4							2
34	1	119810-02941	BEARING, THRUST 0.25	2							3

Remarks  
 (1)Spare parts.  
 (2)Under-sized(U.S.=0.25) parts.  
 (3)Over-sized(O.S.=0.25) parts.

Fig.2. GEAR HOUSING

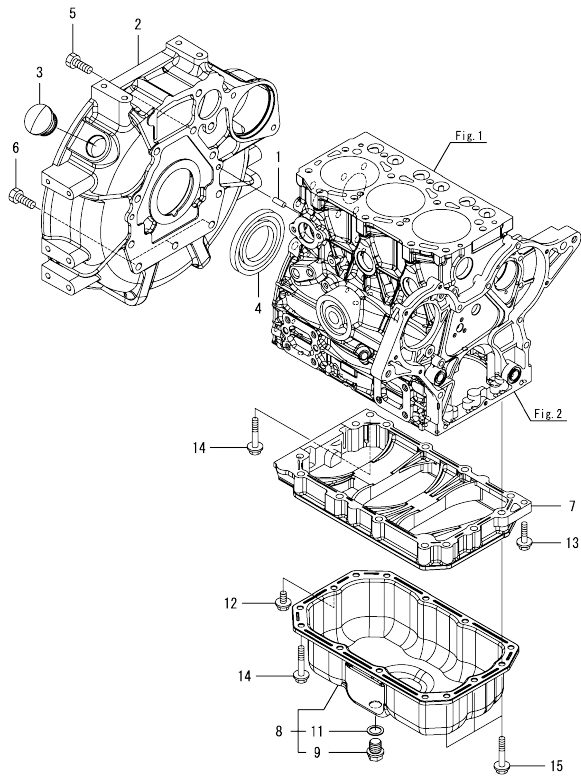


(A)=3TNV80F-SNFK  
(B)=  
(C)=

(D)=  
(E)=  
(F)=

No.	Lev.	Parts No.	Description	Qty						I	R
				(A)	(B)	(C)	(D)	(E)	(F)		
1	1	119717-01501	CASE, GEAR	1							
2	1	119717-01570	STUD	3							
3	1	119734-01590	COVER ASSY,GEAR CASE	1							
4	2	719734-01500	COVER ASSY,GEAR CASE	1							
5	3	119717-01521	COVER, GEAR CASE	1							
6	4	23876-030000	PLUG, R03	2							
7	3	119717-01800	SEAL, OIL	1							
8	2	119717-32100	COVER ASSY	1							
9	3	119717-32080	COVER	1							
10	3	129900-32130	VALVE, RELIEF	1							
11	3	129001-32320	SPRING	1							
12	3	129001-32330	PLUG	1							
13	2	119717-32110	ROTOR, INNER	1							
14	2	119717-32120	ROTOR, OUTER	1							
15	2	119802-32130	SCREW, M6X16	8							
16	1	119717-01750	COVER	1							
17	1	119660-01911	PIPE, KNOCK	4							
18	1	119624-32040	O-RING, P12.0	1							
19	1	119717-32050	O-RING, P17.0	3							
20	1	121850-51960	O-RING	1							
21	1	26106-060122	BOLT, M6X 12 PLATED	1							
22	1	26106-060162	BOLT, M6X 16 PLATED	4							
23	1	26106-060402	BOLT, M6X 40 PLATED	4							
24	1	26106-060402	BOLT, M6X 40 PLATED	3							
25	1	26106-060602	BOLT, M6X 60 PLATED	7							
26	1	26106-060652	BOLT, M6X 65 PLATED	2							
27	1	26306-080002	NUT, M8	3							
28	1	124160-01751	COVER, FILLER	1							
29	1	24311-000320	O-RING, 1AP32.0	1							

Fig.3. FLYWHEEL HOUSING & OIL SUMP

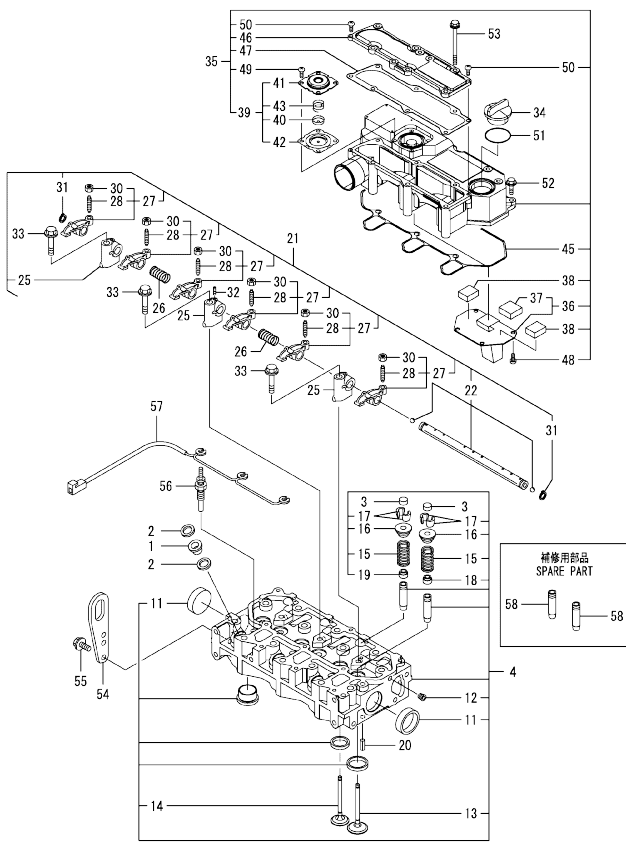


(A)=3TNV80F-SNFK  
(B)=  
(C)=

(D)=  
(E)=  
(F)=

No.	Lev.	Parts No.	Description	Q'ty						I	R
				(A)	(B)	(C)	(D)	(E)	(F)		
1	1	129100-01580	PIN, 8X16	2							
2	1	119717-01601	HOUSING, FLYWHEEL	1							
3	1	119620-01750	CAP	1							
4	1	124085-02220	SEAL, OIL	1							
5	1	26206-100252	BOLT, M10X 25 PLATED	8							
6	1	26206-100302	BOLT, M10X 30 PLATED	3							
7	1	119717-01720	SPACER, OIL SUMP	1							
8	1	119740-01770	SUMP ASSY, OIL	1							
9	2	105425-01690	PLUG, 16	1							
11	2	22190-160002	WASHER, SEAL 16	1							
12	1	26106-080122	BOLT, M8X 12 PLATED	1							
13	1	26106-080302	BOLT, M8X 30 PLATED	1							
14	1	26106-080452	BOLT, M8X 45 PLATED	11							
15	1	26106-080502	BOLT, M8X 50 PLATED	3							

Fig.4. CYLINDER HEAD & BONNET



(A)=3TNV80F-SNFK  
(B)=  
(C)=

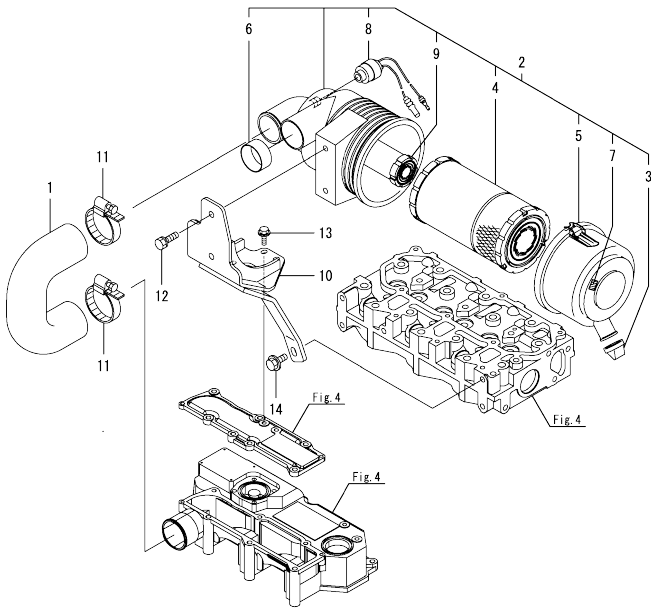
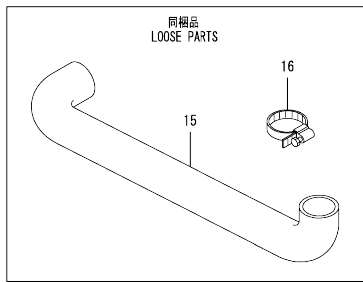
(D)=  
(E)=  
(F)=

No.	Lev.	Parts No.	Description	Q'ty						I	R
				(A)	(B)	(C)	(D)	(E)	(F)		
1	1	129901-11450	PROTECTOR, NOZZLE	3							
2	1	119600-11460	GASKET, NOZZLE	6							
3	1	105010-11490	CAP, VALVE	6							
4	1	119E10-11740	HEAD ASSY, CYLINDER	1							
11	2	119285-11990	PLUG, 35	2							
12	2	23876-005000	PLUG, R005	1							
13	2	119E10-11100	VALVE, SUCTION	3							
14	2	119E10-11110	VALVE, EXHAUST	3							
15	2	119717-11131	SPRING, VALVE	6							
16	2	129508-11180	RETAINER, SPRING	6							
17	2	119717-11190	COTTER	12							
18	2	119717-11340	SEAL, VALVE STEM	3							
19	2	119717-11350	SEAL, VALVE STEM	3							
20	1	22351-060012	PIN, SPRING 6.0X12	2							
21	1	119717-11200	SUPPORT ASSY, ARM	1							
22	2	119717-11240	SHAFT ASSY, ROCKER	1							
25	2	119717-11260	SUPPORT, ROCKER ARM	3							
26	2	119620-11280	SPRING	2							
27	2	119717-11650	ARM, ROCKER	6							
28	3	129150-11230	SCREW, VALVE ADJUST	6							
30	3	129150-11750	NUT, M8	6							
31	2	22242-000120	RING, 12	2							
32	2	26979-050162	SCREW, M5X16	1							
33	1	26106-080402	BOLT, M8X 40 PLATED	3							
34	1	124160-01751	COVER, FILLER	1							
35	1	119717-11381	BONNET ASSY, HEAD	1							
36	2	119717-03031	PLATE	1							
37	3	119717-03070	BAFFLE, BREATHER	1							
38	2	119717-03070	BAFFLE, BREATHER	2							
39	2	119802-03100	DIAPHRAGM ASSY	1							
40	3	119802-03110	PLATE	1							
41	3	119802-03121	COVER, DIAPHRAGM	1							
42	3	119802-03131	DIAPHRAGM	1							
43	3	119802-03141	SPRING, DIAPHRAGM	1							
45	2	119718-11310	GASKET, BONNET	1							
46	2	119717-11320	COVER, BONNET	1							
47	2	119717-11331	GASKET	1							
48	2	22857-500100	SCREW, 5X10	4							
49	2	22857-500100	SCREW, 5X10	4							
50	2	22857-500160	SCREW, 5X16	2							
51	1	24311-000320	O-RING, 1AP32.0	1							
52	1	26106-060202	BOLT, M6X 20 PLATED	3							
53	1	26106-060752	BOLT, M6X 75 PLATED	6							
54	1	119226-07900	LIFTER	1							
55	1	26106-080162	BOLT, M8X 16 PLATED	2							
56	1	119717-77801	PLUG, GLOW	3							
57	1	119717-77820	CONNECTOR, GLOW PLUG	1							
58	1	119717-11800	GUIDE, VALVE	6							

Remarks  
(1)Spare parts.

OCD50-M00970 3TNV80F-SNFK  
 Fig.5. AIR CLEANER

OCD50-M00970 Fig.5



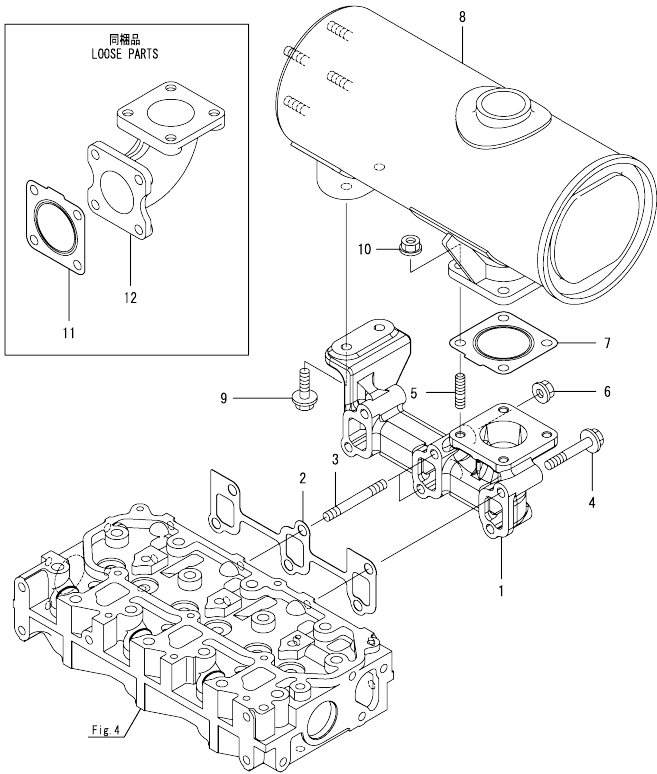
(A)=3TNV80F-SNFK  
 (B)=  
 (C)=

(D)=  
 (E)=  
 (F)=

No.	Lev.	Parts No.	Description	Q'ty					
				(A)	(B)	(C)	(D)	(E)	(F)
1	1	119761-12020	PIPE, AIR INTAKE	1					
2	1	119540-12510	CLEANER ASSY, AIR	1					
3	2	119808-12540	VALVE, UNLOADER	1					
4	2	119655-12560	ELEMENT	1					
5	2	119336-12570	COVER ASSY	1					
6	2	105027-12580	RING	1					
7	2	129612-12650	LABEL, MARKING	1					
8	2	119140-12680	INDICATOR	1					
9	2	119233-12700	ELEMENT	1					
10	1	119761-12540	SUPPORT, AIR CLEANER	1					
11	1	23000-054000	CLAMP, 54	2					
12	1	26013-080222	BOLT, M8X 22	2					
13	1	26106-060142	BOLT, M6X 14 PLATED	3					
14	1	26106-080162	BOLT, M8X 16 PLATED	1					
15	1	119632-12211	PIPE, AIR INTAKE	1					
16	1	23000-060000	CLAMP, 60	2					



Fig.6. EXHAUST MANIFOLD & SILENCER

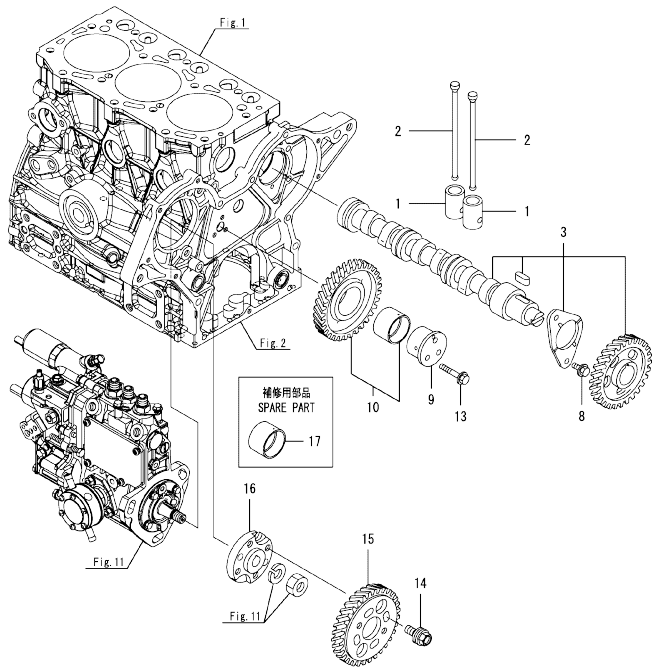


(A)=3TNV80F-SNFK  
(B)=  
(C)=

(D)=  
(E)=  
(F)=

No.	Lev.	Parts No.	Description	Q'ty					
				(A)	(B)	(C)	(D)	(E)	(F)
1	1	119717-13109	MANIFOLD, EXHAUST	1					
2	1	119717-13110	GASKET	1					
3	1	119717-13600	STUD, M8X50	2					
4	1	129E00-13610	BOLT, M8X50 10.9	4					
5	1	119131-18320	STUD, M8X22	4					
6	1	26306-080002	NUT, M8	2					
7	1	119515-13200	GASKET, SILENCER	1					
8	1	119717-13550	SILENCER	1					
9	1	26106-080252	BOLT, M8X 25 PLATED	2					
10	1	26306-080002	NUT, M8	4					
11	1	119515-13200	GASKET, SILENCER	2					
12	1	119620-13550	BEND	1					

Fig.7. CAMSHAFT & DRIVING GEAR



(A)=3TNV80F-SNFK  
(B)=  
(C)=

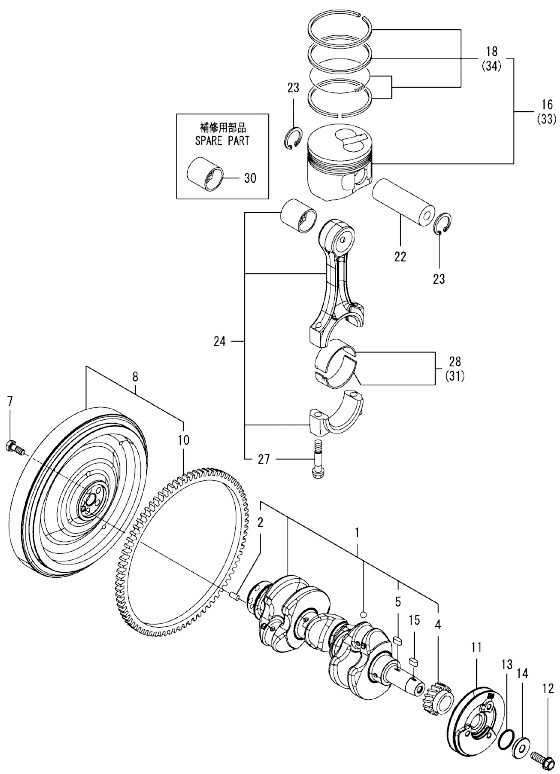
(D)=  
(E)=  
(F)=

No.	Lev.	Parts No.	Description	Q'ty						I	R
				(A)	(B)	(C)	(D)	(E)	(F)		
1	1	119620-14200	TAPPET	6							
2	1	119717-14400	ROD, PUSH	6							
3	1	119717-14581	CAMSHAFT ASSY	1							
8	1	26106-060122	BOLT, M6X 12 PLATED	2							
9	1	119717-25050	SHAFT, IDLE	1							
10	1	119717-25101	GEAR ASSY, IDLE	1							
13	1	26106-060352	BOLT, M6X 35 PLATED	3							
14	1	129150-25301	BOLT	4							
15	1	119717-25930	GEAR, PUMP	1							
16	1	119717-51150	FLANGE	1							
17	1	119717-25911	BUSH, IDLE GEAR	1							1

Remarks

(1)Spare parts.

Fig.8. CRANKSHAFT & PISTON



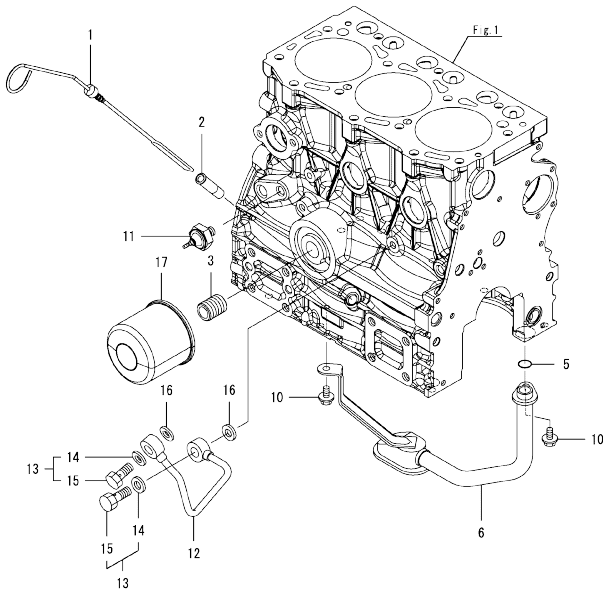
(A)=3TNV80F-SNFK  
(B)=  
(C)=

(D)=  
(E)=  
(F)=

No.	Lev.	Parts No.	Description	Q'ty						I	R
				(A)	(B)	(C)	(D)	(E)	(F)		
1	1	119E10-21700	CRANKSHAFT ASSY	1							
2	2	129100-01580	PIN, 8X16	1							
4	2	119717-21200	GEAR, CRANKSHAFT	1							
5	2	22512-040120	KEY, 4X 12	1							
7	1	119620-21500	BOLT, FLYWHEEL	5							
8	1	119E40-21590	FLYWHEEL ASSY	1							
10	2	119865-21600	GEAR, RING	1							
11	1	119C40-21650	V-PULLEY, CRANK 120	1							
12	1	119621-21681	BOLT, FLANGE 12X1.25	1							
13	1	119C10-21930	PACKING, WASHER	1							
14	1	119C10-21940	WASHER, V-PULLEY	1							
15	1	22512-040120	KEY, 4X 12	1							
16	1	119E10-22080	PISTON ASSY	3							
18	2	119E10-22500	RING ASSY	3							
22	1	119E10-22300	PIN, PISTON	3							
23	1	22512-000220	RING, 22	6							
24	1	119E10-23000	ROD ASSY, CONNECTING	3							
27	2	119717-23200	BOLT, CONNECTING ROD	6							
28	1	119717-23601	BEARING, CRANK PIN	3							
30	1	119717-23910	BEARING, PISTON PIN	3							1
31	1	119717-23611	METAL ASSY, 0.25	3							2
33	1	119E10-22900	PISTON ASSY, 0.25 OS	3							3
34	2	119E10-22550	RING ASSY, 0.25	3							3

Remarks  
 (1) Spare parts.  
 (2) Under-sized (U.S.=0.25) parts.  
 (3) Over-sized (O.S.=0.25) parts.

Fig.9. LUB. OIL SYSTEM



(A)=3TNV80F-SNFK  
(B)=  
(C)=

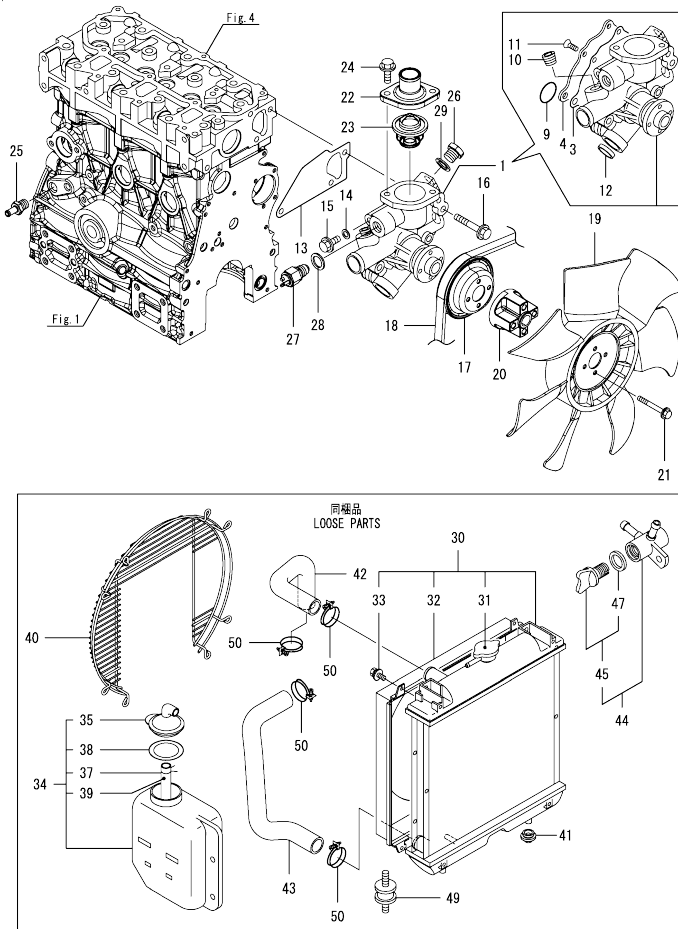
(D)=  
(E)=  
(F)=

No.	Lev.	Parts No.	Description	Q'ty						I	R
				(A)	(B)	(C)	(D)	(E)	(F)		
1	1	119740-34801	DIPSTICK, OIL	1							
2	1	121520-34810	GUIDE, DIPSTICK	1							
3	1	119717-35140	BOLT	1							
5	1	119717-32060	O-RING, P15.0	1							
6	1	119717-35080	PIPE ASSY, OIL INLET	1							
10	1	26106-060102	BOLT, M6X 10 PLATED	2							
11	1	114250-39450	SWITCH, 0.5KG	1							
12	1	119717-39210	PIPE, OIL	1							
13	1	129005-59830	BOLT ASSY, JOINT M8	2							
14	2	22190-080002	WASHER, SEAL 8	2							
15	2	23857-030000	BOLT, JOINT 3	2							
16	1	22190-080002	WASHER, SEAL 8	2							
17	1	119305-35151	FILTER ASSY, D68XL65	1							1

Remarks

(1)Spare parts.

Fig.10. COOLING WATER SYSTEM



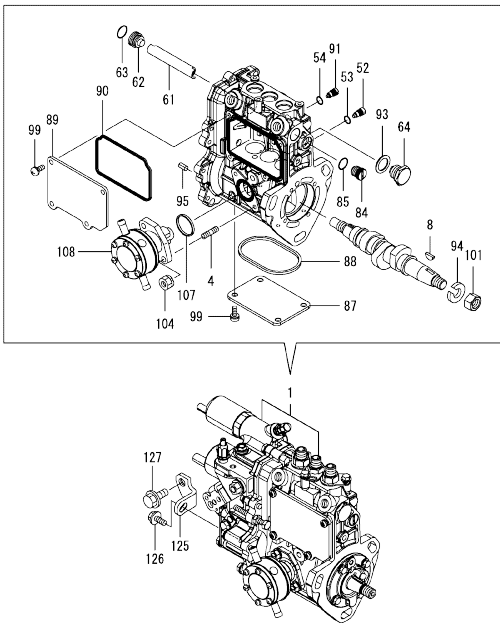
No.	Lev.	Parts No.	Description	Q'ty						I	R
				(A)	(B)	(C)	(D)	(E)	(F)		
1	1	119E10-42000	PUMP ASSY, WATER	1							
3	2	119717-42031	GASKET	1							
4	2	119717-42041	COVER	1							
9	2	119C10-42320	O-RING, 2028	1							
10	2	129916-49740	PLUG, R03	1							
11	2	26577-060122	SCREW, M6X12	4							
12	2	27241-250000	PLUG, 25	1							
13	1	119717-42020	GASKET, WATER PUMP	1							
14	1	23414-080000	GASKET, 8X1.0	1							
15	1	26106-080122	BOLT, M8X 12 PLATED	1							
16	1	26106-080502	BOLT, M8X 50 PLATED	3							
17	1	119740-42350	V-PULLEY, D=90	1							
18	1	25132-003600	V-BELT, A36	1							
19	1	119626-44741	FAN, COOLING D=320X7	1							
20	1	129030-44760	SPACER, FAN L38.5	1							
21	1	26106-060502	BOLT, M6X 50 PLATED	4							
22	1	129350-49530	COVER, THERMOSTAT	1							
23	1	119717-49800	THERMOSTAT, 71	1							
24	1	26106-080202	BOLT, M8X 20 PLATED	2							
25	1	121550-49111	JOINT, PT1/4	1							
26	1	121450-42450	PLUG, M16	1							
27	1	121250-44901	SWITCH, 110	1							
28	1	124465-44950	GASKET, 16	1							
29	1	124465-44950	GASKET, 16	1							
30	1	129004-44500	RADIATOR ASSY	1							
31	2	129107-44590	CAP, RADIATOR	1							
32	2	119802-44600	SHROUD	1							
33	2	26014-060122	BOLT, M6X 12	4							
34	1	121468-44520	TANK ASSY, SUB	1							
35	2	121450-44531	CAP	1							
37	2	124450-44560	RETAINER	1							
38	2	121470-44581	GASKET	1							
39	2	23065-070130	PIPE, 7X 130	1							
40	1	119802-44570	GUARD	1							
41	1	119255-44660	ABSORBER	2							
42	1	119802-49010	PIPE, WATER	1							
43	1	119940-49020	PIPE, WATER	1							
44	1	129150-49100	COCK ASSY, 3-WAY	1							
45	2	129150-49080	COCK, DRAIN	1							
47	3	119629-49080	GASKET	1							
49	1	127694-91050	ABSORBER, SHOCK	2							
50	1	23010-035000	CLAMP, 35	4							

N:Old  $\frac{100}{100}$  New, Q:Old  $\frac{100}{100}$  New, R:Old  $\frac{100}{100}$  New, S:Old  $\frac{100}{100}$  New, W:Add, Z:Discontinued, F:Interchangeable by set, K:Q'ty Change  
 Copyright (C) 2014 YANMAR GLOBAL CS CO., LTD. All Rights Reserved.

Fig.11. FUEL INJECTION PUMP

(A)=3TNV80F-SNFK  
(B)=  
(C)=

(D)=  
(E)=  
(F)=



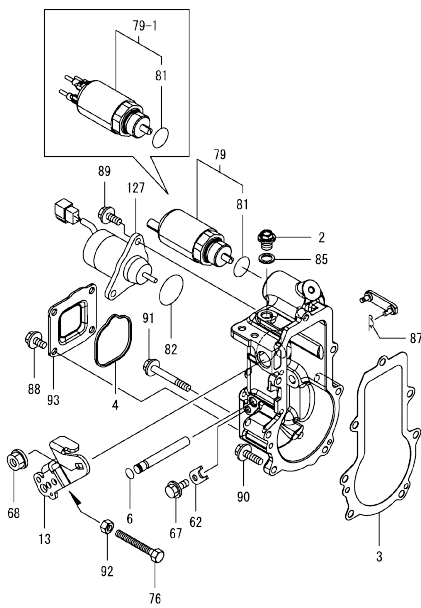
No.	Lev.	Parts No.	Description	Qty						I	R	
				(A)	(B)	(C)	(D)	(E)	(F)			
1	1	719E40-51380	FIE ASSY	1							1	
4	2	129155-51020	STUD	2								
8	2	122710-51090	KEY, FEATHER	1								
52	2	158600-51270	STOPPER, TAPPET	3								
53	2	129155-51280	O-RING, S6	3								
54	2	129155-51280	O-RING, S6	1								
61	2	129155-51400	PROTECTOR	1								
62	2	158600-51410	PLUG, DEFLIFTER M12	1								
63	2	119717-51420	O-RING	1								
64	2	158600-51420	PLUG, DEFLIFTER M16	1								
84	2	158600-51570	PLUG, RACK	1								
85	2	129155-51580	O-RING	1								
87	2	129155-51701	COVER, PUMP BOTTOM	1								
88	2	119717-51711	GASKET, PUMP	1								
89	2	119717-51750	COVER, BODY SIDE	1								
90	2	119717-51761	GASKET, PUMP COVER	1								
91	2	158600-51790	STOPPER, RACK	1								
93	2	22190-160002	WASHER, SEAL 16	1								
94	2	22217-120000	WASHER, SPRING 12	1								
95	2	22351-050010	PIN, SPRING 5.0X10	2								
99	2	26022-050122	SCREW, M5X12	8								
101	2	26716-120002	NUT, M12	1								
104	2	119717-51860	NUT, M6	2								
107	2	129155-52051	GASKET, PUMP COVER	1								
108	2	129100-52101	PUMP ASSY, FUEL FEED	1								
125	1	119C10-51250	SUPPORT, FUEL PUMP	1								
125-1	1	119E10-51250	SUPPORT	1								N
126	1	26106-060142	BOLT, M6X 14 PLATED	1								
126-1	1	26106-060162	BOLT, M6X 16 PLATED	1								N
127	1	26106-080142	BOLT, M8X 14 PLATED	1								
127-1	1	26106-080162	BOLT, M8X 16 PLATED	1								N

Remarks

(1)Governor(Fig.12) is incorporated in this Fuel Injection Pump(No.1).

OCD50-M00970 3TNV80F-SNFK  
 Fig.12. GOVERNOR

OCD50-M00970 Fig.12



(A)=3TNV80F-SNFK  
 (B)=  
 (C)=

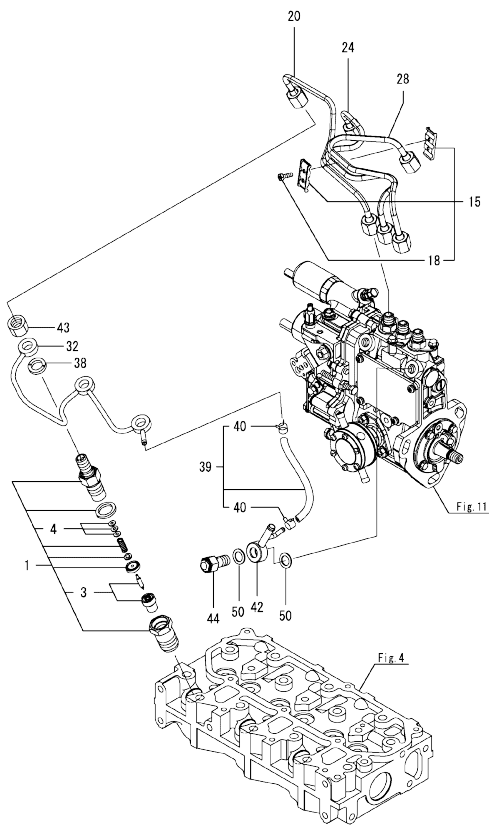
(D)=  
 (E)=  
 (F)=

No.	Lev.	Parts No.	Description	Q'ty						I	R
				(A)	(B)	(C)	(D)	(E)	(F)		
2	2	119717-51930	PLUG, M10	1							
3	2	119717-61050	GASKET, CASE	1							
4	2	119717-61070	GASKET, COVER	1							
6	2	129155-51280	O-RING, S6	1							
13	2	119515-61440	LEVER, CONTROL	1							
62	2	119660-61901	STOPPER, SHAFT	1							
67	2	26106-060102	BOLT, M6X 10 PLATED	1							
68	2	26366-080002	NUT, M8	1							
76	2	129155-61460	BOLT, IDLE LIMIT	1							
79	2	119C00-61900	SOLENOID, CONTROL	1							
79-1	2	119C00-61901	SOLENOID, POWER CONT	1							R
(A=E40284)											
81	3	24357-24020	PACKING, 24020	1							
82	2	158552-61900	O-RING	1							
85	2	22190-100002	WASHER, SEAL 10	1							
87	2	22372-040000	PIN, SNAP 4	1							
88	2	26106-060102	BOLT, M6X 10 PLATED	4							
89	2	26106-060142	BOLT, M6X 14 PLATED	2							
90	2	26106-060202	BOLT, M6X 20 PLATED	4							
91	2	26106-060452	BOLT, M6X 45 PLATED	3							
92	2	26756-060002	NUT, LOCK M6	1							
93	2	119717-61060	COVER, GOVERNOR CASE	1							
127	2	119233-77932	SOLENOID, STOP	1							

Remarks

\* This figure(Governor) is incorporated in the Fuel Injection Pump(Fig.11).

Fig.13. FUEL INJECTION VALVE



(A)=3TNV80F-SNFK  
(B)=  
(C)=

(D)=  
(E)=  
(F)=

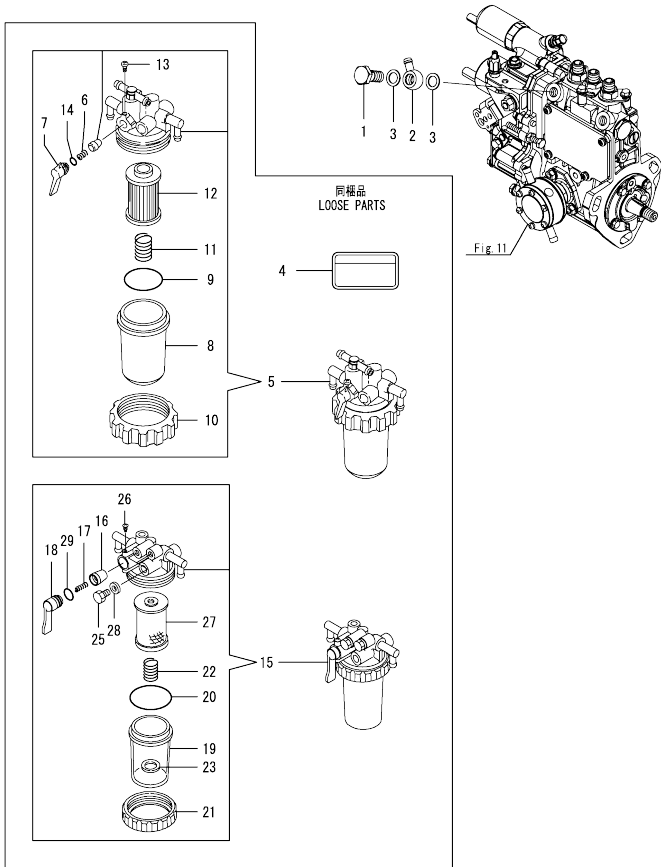
No.	Lev.	Parts No.	Description	Q'ty						
				(A)	(B)	(C)	(D)	(E)	(F)	
1	1	119C10-53000	NOZZLE ASSY, F.I.	3						
3	2	119C10-53010	NOZZLE ASSY	3						
4	2	129901-53800	SHIM SET, ADJUSTING	3						1
15	1	129150-59120	RETAINER, PIPE	1						
18	2	129150-59131	BOLT, M4X14	2						
20	1	119E10-59810	PIPE ASSY,INJ.NO1	1						
24	1	119E10-59820	PIPE ASSY,INJ.NO2	1						
28	1	119E10-59830	PIPE ASSY,INJ.NO3	1						
32	1	119717-59510	PIPE ASSY, RETURN	1						
38	1	129901-59560	GASKET	3						
39	1	119540-59570	PIPE ASSY, RETURN	1						
40	2	124066-59100	CLIP, HOSE 8	2						
42	1	119840-59570	JOINT	1						
43	1	119620-59700	NUT, NOZZLE	3						
44	1	119813-59950	VALVE ASSY, CHECK	1						
50	1	22190-120002	WASHER, SEAL 12	2						

Remarks

(1)Spare parts.



Fig.14. FUEL FILTER

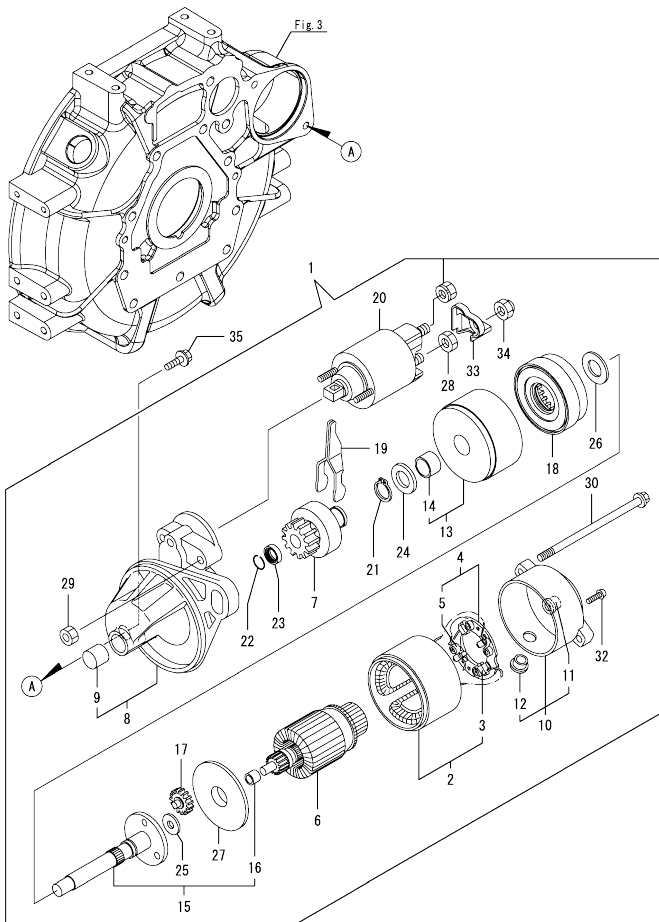


(A)=3TNV80F-SNFK  
(B)=  
(C)=

(D)=  
(E)=  
(F)=

No.	Lev.	Parts No.	Description	Q'ty						I	R
				(A)	(B)	(C)	(D)	(E)	(F)		
1	1	103854-39140	BOLT, PIPE JOINT	1							
2	1	101304-59020	JOINT, PIPE 12	1							
3	1	22190-120002	WASHER, SEAL 12	2							
4	1	114110-07761	LABEL, FUEL OIL CAUT	1							
5	1	119833-55621	FILTER ASSY, FUEL	1							
6	2	104200-55330	SPRING, VALVE	1							
7	2	119810-55340	LEVER	1							
8	2	121254-55510	COVER	1							
9	2	102103-55520	O-RING	1							
10	2	110250-55610	RING, RETAINING	1							
11	2	121250-55620	SPRING	1							
12	2	119810-55650	ELEMENT	1							
13	2	104200-55750	SCREW, M4	1							
14	2	24311-240100	O-RING, 1AP10A	1							
15	1	129335-55701	SEPARATOR ASSY,WATER	1							
16	2	104200-55321	VALVE, TAPER	1							
17	2	104200-55330	SPRING, VALVE	1							
18	2	104200-55341	HANDLE	1							
19	2	124064-55510	COVER	1							
20	2	102103-55520	O-RING	1							
21	2	110250-55610	RING, RETAINING	1							
22	2	121257-55720	SPRING	1							
23	2	121257-55731	FLOAT	1							
25	2	101720-55750	PLUG, 6	2							
26	2	104200-55750	SCREW, M4	1							
27	2	171081-55910	SCREEN	1							
28	2	23418-060000	GASKET, 6X1.0	2							
29	2	24311-240100	O-RING, 1AP10A	1							

Fig.15. STARTER MOTOR

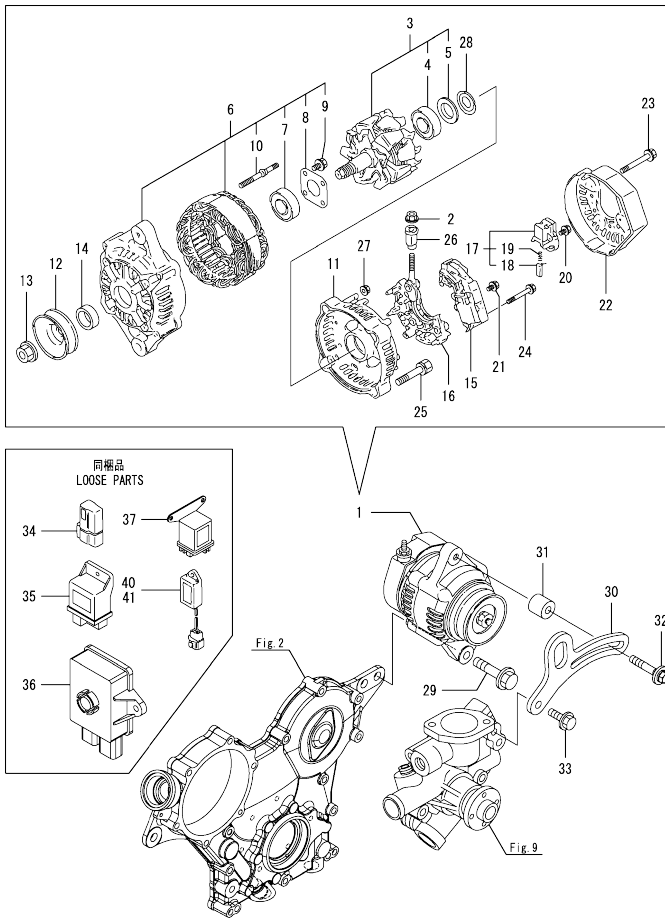


(A)=3TNV80F-SNFK  
(B)=  
(C)=

(D)=  
(E)=  
(F)=

No.	Lev.	Parts No.	Description	Q'ty						I	R
				(A)	(B)	(C)	(D)	(E)	(F)		
1	1	119717-77010	STARTER, P1.1	1							
2	2	X0281007750	YOKE ASSY	1							
3	3	X0280996180	STARTER KIT	2							
4	2	X0285105190	HOLDER ASSY	1							
5	3	X0285205030	SPRING	4							
6	2	X0282005991	ARMATURE ASSY	1							
7	2	X0283006960	CLUTCH ASSY	1							
8	2	X4284001590	HOUSING ASSY	1							
9	3	X9491050100	BEARING, NEEDLE	1							
10	2	X0285007030	FRAME ASSY	1							
11	3	X9491040990	BEARING	1							
12	3	X0280626010	COVER	1							
13	2	X0284105040	BEARING ASSY	1							
14	3	X9491034330	BEARING	1							
15	2	X0286105010	SHAFT ASSY	1							
16	3	X9491034320	BEARING	1							
17	2	X0286305010	GEAR	3							
18	2	X0286355010	GEAR	1							
19	2	X0287405140	LEVER	1							
20	2	X2534000090	SWITCH ASSY	1							
21	2	X9055715000	RING	1							
22	2	X9490721360	RING	1							
23	2	X0280210331	NUT	1							
24	2	X9490138110	WASHER	1							
25	2	X9490138090	WASHER	1							
26	2	X9490138100	WASHER	1							
27	2	X0284525010	PLATE	1							
28	2	X9490562360	NUT	1							
29	2	X9490560750	NUT	2							
30	2	X9490423420	BOLT, THROUGH	2							
32	2	X9490065670	SCREW, M4X6	2							
33	2	X1280330020	COVER, TERMINAL	1							
34	2	X1289510130	NUT	1							
35	1	26106-100252	BOLT, M10X 25 PLATED	2							

Fig.16. GENERATOR



(A)=3TNV80F-SNFK  
(B)=  
(C)=

(D)=  
(E)=  
(F)=

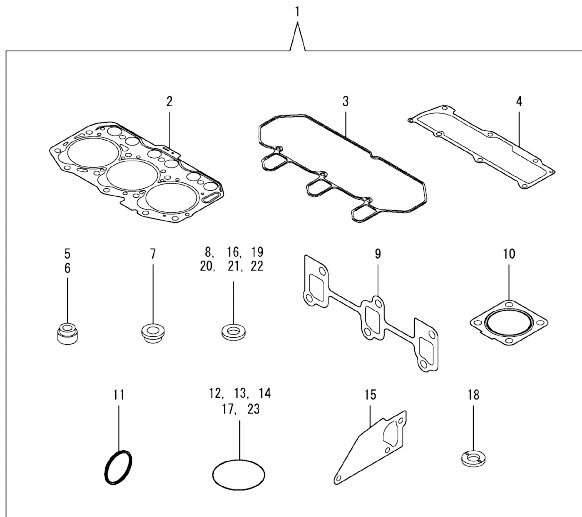
No.	Lev.	Parts No.	Description	Q'ty					
				(A)	(B)	(C)	(D)	(E)	(F)
1	1	129423-77200	GENERATOR, 12V-40A	1					
2	2	X9490561001	NUT	1					
3	2	119620-77380	ROTOR ASSY	1					
4	3	123501-79240	BEARING, BALL	1					
5	3	119620-79250	COVER	1					
6	2	119620-77421	FRAME ASSY, DRIVE	1					
7	3	119620-79200	BEARING, BALL	1					
8	3	119620-79210	PLATE, RETAINER	1					
9	3	119620-79220	SCREW	4					
10	3	119620-79230	STUD	2					
11	2	119620-77440	FRAME ASSY	1					
12	2	119620-77461	PULLEY	1					
13	2	119620-77471	NUT	1					
14	2	119620-77490	COLLAR	1					
15	2	129423-77710	REGULATOR ASSY	1					
16	2	119620-79260	HOLDER	1					
17	2	129052-79270	HOLDER, BRUSH	1					
18	3	119620-77480	BRUSH ASSY	2					
19	3	119620-79280	SPRING	2					
20	2	119620-79290	SCREW	6					
21	2	119620-79300	SCREW	1					
22	2	129240-79300	COVER	1					
23	2	119620-79310	BOLT	3					
24	2	119620-79320	SCREW	2					
25	2	119620-79330	BOLT	2					
26	2	119620-79340	BUSH, INSULATION	1					
27	2	119620-79350	NUT	2					
28	2	119620-79360	WASHER, THRUST	1					
29	1	26106-100452	BOLT, M10X 45 PLATED	1					
30	1	119230-77330	ADJUSTER	1					
31	1	124732-77340	SPACER	1					
32	1	129972-77341	BOLT, ADJUSTER L=50	1					
33	1	26106-080202	BOLT, M8X 20 PLATED	1					
34	1	119643-66900	DIODE	1					
35	1	119802-77200	RELAY, SAFETY	1					
36	1	119C10-77600	DRIVER	1					
37	1	119650-77911	RELAY ASSY, GLOW	2					
40	1	129155-77925	TIMER	1					
41	1	129211-77920	TIMER	1					

N:Old  $\frac{100}{100}$  New, Q:Old  $\frac{100}{100}$  New, R:Old  $\frac{100}{100}$  New, S:Old  $\frac{100}{100}$  New, W:Add, Z:Discontinued, F:Interchangeable by set, K:Q'ty Change  
Copyright (C) 2014 YANMAR GLOBAL CS CO., LTD. All Rights Reserved.

Fig.17. GASKET SET

(A)=3TNV80F-SNFK  
(B)=  
(C)=

(D)=  
(E)=  
(F)=



No.	Lev.	Parts No.	Description	Q'ty						I	R
				(A)	(B)	(C)	(D)	(E)	(F)		
1	1	119E40-92610	GASKET KIT	1							1
2	2	119E10-01330	GASKET SET, HEAD	1							
3	2	119718-11310	GASKET, BONNET	1							
4	2	119717-11331	GASKET	1							
5	2	119717-11340	SEAL, VALVE STEM	3							
6	2	119717-11350	SEAL, VALVE STEM	3							
7	2	129901-11450	PROTECTOR, NOZZLE	3							
8	2	119600-11460	GASKET, NOZZLE	6							
9	2	119717-13110	GASKET	1							
10	2	119515-13200	GASKET, SILENCER	1							
11	2	119C10-21930	PACKING, WASHER	1							
12	2	119624-32040	O-RING, P12.0	1							
13	2	119717-32050	O-RING, P17.0	3							
14	2	119717-32060	O-RING, P15.0	1							
15	2	119717-42020	GASKET, WATER PUMP	1							
16	2	124465-44950	GASKET, 16	2							
17	2	121850-51960	O-RING	1							
18	2	129901-59560	GASKET	3							
19	2	22190-080002	WASHER, SEAL 8	4							
20	2	22190-120002	WASHER, SEAL 12	4							
21	2	22190-160002	WASHER, SEAL 16	1							
22	2	23414-080000	GASKET, 8X1.0	1							
23	2	24311-000320	O-RING, 1AP32.0	2							

Remarks

(1)Optional parts.

## Parts No. Index

Parts No.	Fig. No.	Ref. No.	Parts No.	Fig. No.	Ref. No.	Parts No.	Fig. No.	Ref. No.	Parts No.	Fig. No.	Ref. No.
101304-59020	14	2	119620-77480	16	18	119717-11340	17	5	119717-77801	4	56
101720-55750	14	25	119620-77490	16	14	119717-11350	4	19	119717-77820	4	57
102103-55520	14	9	119620-79200	16	7	119717-11350	17	6	119718-11310	4	45
		20	119620-79210	16	8	119717-11381	4	35		17	3
103854-39140	14	1	119620-79220	16	9	119717-11650	4	27	119734-01590	2	3
104200-55321	14	16	119620-79230	16	10	119717-11800	4	58	119740-01770	3	8
104200-55330	14	6	119620-79250	16	5	119717-13109	6	1	119740-34801	9	1
		17	119620-79260	16	16	119717-13110	6	2	119740-42350	10	17
104200-55341	14	18	119620-79280	16	19		17	9	119761-12020	5	1
104200-55750	14	13	119620-79290	16	20	119717-13550	6	8	119761-12540	5	10
		26	119620-79300	16	21	119717-13600	6	3	119802-03100	4	39
105010-11490	4	3	119620-79310	16	23	119717-14400	7	2	119802-03110	4	40
105027-12580	5	6	119620-79320	16	24	119717-14581	7	3	119802-03121	4	41
105311-01090	1	4	119620-79330	16	25	119717-21200	8	4	119802-03131	4	42
105425-01690	3	9	119620-79340	16	26	119717-23200	8	27	119802-03141	4	43
110250-55610	14	10	119620-79350	16	27	119717-23601	8	28	119802-32130	2	15
		21	119620-79360	16	28	119717-23611	8	31	119802-44570	10	40
114110-07761	14	4	119621-21681	8	12	119717-23910	8	30	119802-44600	10	32
114250-39450	9	11	119623-01250	1	5	119717-25050	7	9	119802-49010	10	42
119131-18320	6	5	119624-32040	2	18	119717-25101	7	10	119802-77200	16	35
119140-12680	5	8		17	12	119717-25911	7	17	119808-12540	5	3
119226-07900	4	54	119626-44741	10	19	119717-25930	7	15	119810-01200	1	26
119230-77330	16	30	119629-49080	10	47	119717-32050	2	19	119810-02941	1	34
119233-12700	5	9	119632-12211	5	15		17	13	119810-55340	14	7
119233-77932	12	127	119643-66900	16	34	119717-32060	9	5	119810-55650	14	12
119255-44660	10	41	119650-77911	16	37		17	14	119813-59950	13	44
119285-01990	1	6	119655-12560	5	4	119717-32080	2	9	119833-55621	14	5
119285-11990	4	11	119660-01911	2	17	119717-32100	2	8	119840-59570	13	42
119305-35151	9	17	119660-61901	12	62	119717-32110	2	13	119865-21600	8	10
119336-12570	5	5	119717-01501	2	1	119717-32120	2	14	119940-49020	10	43
119515-13200	6	7	119717-01521	2	5	119717-35080	9	6	119C00-61900	12	79
		11	119717-01570	2	2	119717-35140	9	3	119C00-61901	12	79 -1
		17	119717-01601	3	2	119717-39210	9	12	119C10-21930	8	13
119515-61440	12	13	119717-01720	3	7	119717-42020	10	13		17	11
119540-12510	5	2	119717-01750	2	16		17	15	119C10-21940	8	14
119540-59570	13	39	119717-01800	2	7	119717-42031	10	3	119C10-42320	10	9
119600-11460	4	2	119717-02411	1	10	119717-42041	10	4	119C10-51250	11	125
		17	119717-02930	1	23	119717-49800	10	23	119C10-53000	13	1
119620-01750	3	3	119717-03031	4	36	119717-51150	7	16	119C10-53010	13	3
119620-02020	1	7	119717-03070	4	37	119717-51420	11	63	119C10-77600	16	36
119620-11280	4	26			38	119717-51711	11	88	119C40-21650	8	11
119620-13550	6	12	119717-11131	4	15	119717-51750	11	89	119E00-01560	1	1
119620-14200	7	1	119717-11190	4	17	119717-51761	11	90	119E10-01330	1	27
119620-21500	8	7	119717-11200	4	21	119717-51860	11	104		17	2
119620-59700	13	43	119717-11240	4	22	119717-51930	12	2	119E10-11100	4	13
119620-77380	16	3	119717-11260	4	25	119717-59510	13	32	119E10-11110	4	14
119620-77421	16	6	119717-11320	4	46	119717-61050	12	3	119E10-11740	4	4
119620-77440	16	11	119717-11331	4	47	119717-61060	12	93	119E10-21700	8	1
119620-77461	16	12			17	119717-61070	12	4	119E10-22080	8	16
119620-77471	16	13	119717-11340	4	18	119717-77010	15	1	119E10-22300	8	22

## Parts No. Index

Parts No.	Fig. No.	Ref. No.	Parts No.	Fig. No.	Ref. No.	Parts No.	Fig. No.	Ref. No.	Parts No.	Fig. No.	Ref. No.
119E10-22500	8	18	129150-11750	4	30	22217-120000	11	94	26106-060752	4	53
119E10-22550	8	34	129150-25301	7	14	22242-000120	4	31	26106-080122	3	12
119E10-22900	8	33	129150-49080	10	45	22252-000220	8	23		10	15
119E10-23000	8	24	129150-49100	10	44	22351-050010	11	95	26106-080142	11	127
119E10-42000	10	1	129150-59120	13	15	22351-060012	4	20	26106-080162	4	55
119E10-51250	11	125 -1	129150-59131	13	18	22372-040000	12	87		5	14
119E10-59810	13	20	129155-51020	11	4	22512-040120	8	5		11	127 -1
119E10-59820	13	24	129155-51280	11	53			15	26106-080202	10	24
119E10-59830	13	28			54	22857-500100	4	48		16	33
119E40-21590	8	8		12	6			49	26106-080252	6	9
119E40-92610	17	1	129155-51400	11	61	22857-500160	4	50	26106-080302	3	13
121250-44901	10	27	129155-51580	11	85	23000-054000	5	11	26106-080402	4	33
121250-55620	14	11	129155-51701	11	87	23000-060000	5	16	26106-080452	3	14
121254-55510	14	8	129155-52051	11	107	23010-035000	10	50	26106-080502	3	15
121257-55720	14	22	129155-61460	12	76	23065-070130	10	39		10	16
121257-55731	14	23	129155-77925	16	40	23414-080000	10	14	26106-100252	15	35
121450-42450	10	26	129211-77920	16	41		17	22	26106-100452	16	29
121450-44531	10	35	129240-79300	16	22	23418-060000	14	28	26206-100252	3	5
121468-44520	10	34	129335-55701	14	15	23857-030000	9	15	26206-100302	3	6
121470-44581	10	38	129350-49530	10	22	23876-005000	4	12	26306-080002	2	27
121520-34810	9	2	129423-77200	16	1	23876-030000	2	6		6	6
121550-49111	10	25	129423-77710	16	15	24311-000320	2	29			10
121850-51960	2	20	129508-11180	4	16		4	51	26366-080002	12	68
	17	17	129612-12650	5	7	24311-240100	14	14	26577-060122	10	11
122710-51090	11	8	129900-32130	2	10			29	26716-120002	11	101
123501-79240	16	4	129901-11450	4	1	24357-240200	12	81	26756-060002	12	92
124060-01050	1	11		17	7	25132-003600	10	18	26979-050162	4	32
124064-55510	14	19	129901-53800	13	4	26013-080222	5	12	27241-120000	1	13
124066-59100	13	40	129901-59560	13	38	26014-060122	10	33	27241-250000	10	12
124085-02220	3	4		17	18	26022-050122	11	99	719717-02901	1	28
124160-01751	2	28	129916-49740	10	10	26106-060102	9	10	719717-02911	1	31
	4	34	129972-77341	16	32			67	719734-01500	2	4
124160-01910	1	12	129E00-13610	6	4		12	88	719E40-51380	11	1
124450-44560	10	37	158552-61900	12	82	26106-060122	2	21	X0280210331	15	23
124465-44950	10	28	158600-51270	11	52		7	8	X0280626010	15	12
		29	158600-51410	11	62	26106-060142	5	13	X0280996180	15	3
		17	158600-51420	11	64		11	126	X0281007750	15	2
124732-77340	16	31	158600-51570	11	84		12	89	X0282005991	15	6
127694-91050	10	49	158600-51790	11	91	26106-060162	2	22	X0283006960	15	7
129001-32320	2	11	171081-55910	14	27		11	126 -1	X0284105040	15	13
129001-32330	2	12	22190-080002	9	14		4	52	X0284525010	15	27
129004-44500	10	30			16	26106-060202	4	52	X0285007030	15	10
129005-59830	9	13			17		12	90	X0285105190	15	4
129030-44760	10	20	22190-100002	12	85	26106-060352	7	13	X0285205030	15	5
129052-79270	16	17	22190-120002	13	50	26106-060402	2	23	X0286105010	15	15
129100-01580	3	1		14	3			24	X0286305010	15	17
	8	2		17	20	26106-060452	12	91	X0286355010	15	18
129100-52101	11	108	22190-160002	3	11	26106-060502	10	21	X0287405140	15	19
129107-44590	10	31		11	93	26106-060602	2	25	X1280330020	15	33
129150-11230	4	28		17	21	26106-060652	2	26	X1289510130	15	34

Parts No. Index

Parts No.	Fig. No.	Ref. No.
X2534000090	15	20
X4284001590	15	8
X9055715000	15	21
X9490065670	15	32
X9490138090	15	25
X9490138100	15	26
X9490138110	15	24
X9490423420	15	30
X9490560750	15	29
X9490561001	16	2
X9490562360	15	28
X9490721360	15	22
X9491034320	15	16
X9491034330	15	14
X9491040990	15	11
X9491050100	15	9

Parts No.	Fig. No.	Ref. No.
-----------	----------	----------

Parts No.	Fig. No.	Ref. No.
-----------	----------	----------

Parts No.	Fig. No.	Ref. No.
-----------	----------	----------