

0CD50-M00580EN

P R E F A C E

This parts catalog is the 1st edition of 3TNV80F-SDSA.

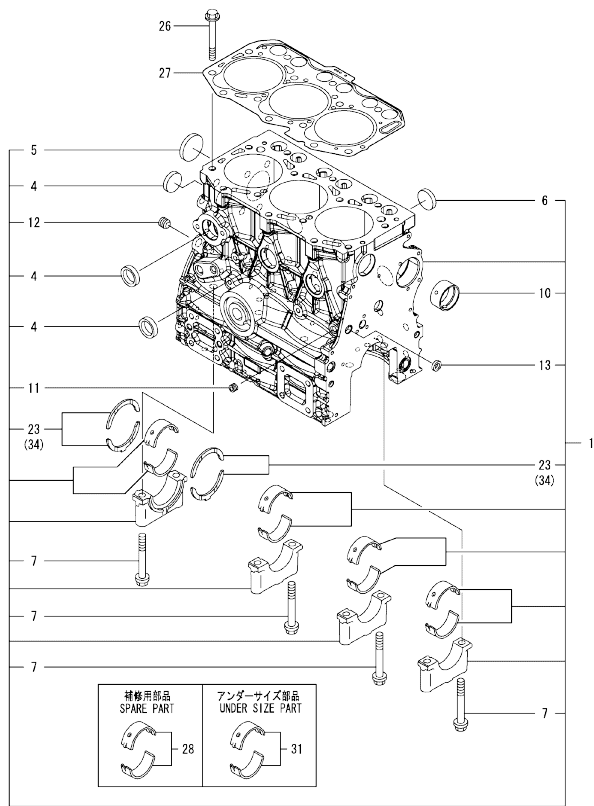
Published : August, 2014

Contents

OCD50-M00580

Fig. No.	Fig. Name	Fig. No.	Fig. Name
3	TNV80F-SDSA		
1.	CYLINDER BLOCK		
2.	GEAR HOUSING		
3.	FLYWHEEL HOUSING & OIL SUMP		
4.	CYLINDER HEAD & BONNET		
5.	EXHAUST MANIFOLD		
6.	CAMSHAFT & DRIVING GEAR		
7.	CRANKSHAFT & PISTON		
8.	LUB. OIL SYSTEM		
9.	COOLING WATER SYSTEM		
10.	FUEL INJECTION PUMP		
11.	GOVERNOR		
12.	FUEL INJECTION VALVE		
13.	FUEL PIPE		
14.	STARTER MOTOR		
15.	GENERATOR		

Fig.1. CYLINDER BLOCK



(A)=3TNV80F-SDSA
(B)=
(C)=

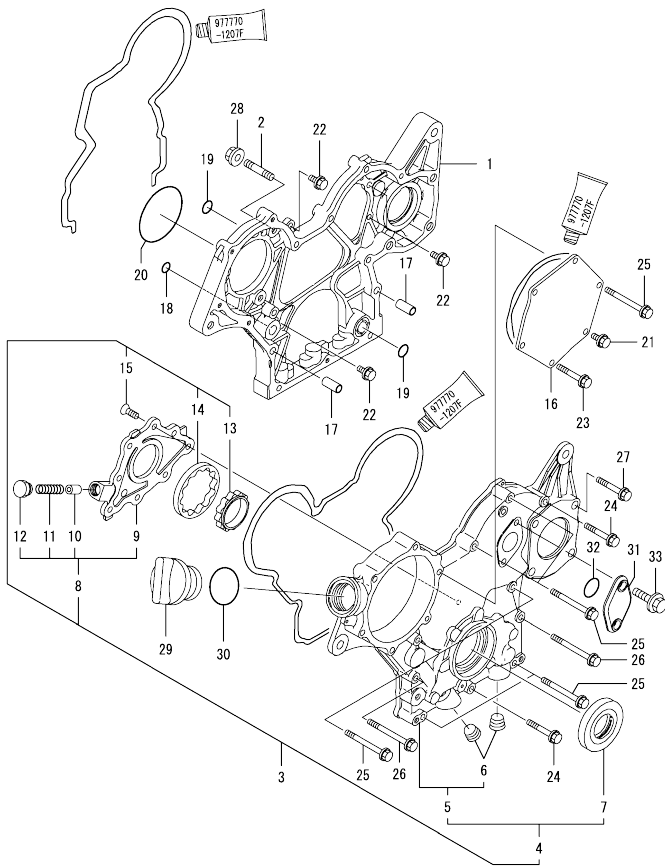
(D)=
(E)=
(F)=

No.	Lev.	Parts No.	Description	Q'ty						I	R
				(A)	(B)	(C)	(D)	(E)	(F)		
1	1	119E00-01560	BLOCK ASSY, CYLINDER	1							
4	2	105311-01090	PLUG, 30	4							
5	2	119623-01250	PLUG, 45	1							
6	2	119285-01990	PLUG, 25	3							
7	2	119620-02020	BOLT, METAL CAP	8							
10	2	119717-02411	BUSH, CAMSHAFT	1							
11	2	124060-01050	PLUG, PT1/8	1							
12	2	124160-01910	PLUG, PT1/4	1							
13	2	27241-120000	PLUG, 12	1							
23	2	119717-02930	BEARING, THRUST	2							
26	1	119810-01200	BOLT, HEAD	14							
27	1	119E10-01330	GASKET SET, HEAD	1							
28	1	719717-02901	BEARING, MAIN	4							1
31	1	719717-02911	BEARING, 0.25 US	4							2
34	1	119810-02941	BEARING, THRUST 0.25	2							3

Remarks

- (1) Spare parts.
- (2) Under-sized (U.S.=0.25) parts.
- (3) Over-sized (O.S.=0.25) parts.

Fig.2. GEAR HOUSING

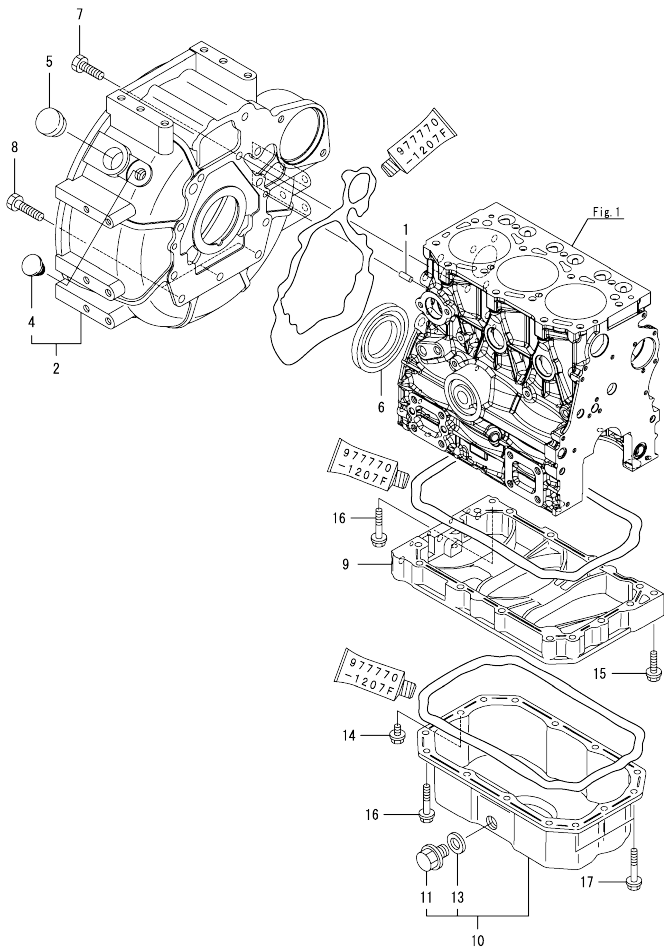


(A)=3TNV80F-SDSA
(B)=
(C)=

(D)=
(E)=
(F)=

No.	Lev.	Parts No.	Description	Qty						I	R
				(A)	(B)	(C)	(D)	(E)	(F)		
1	1	119742-01500	CASE, GEAR	1							
2	1	119717-01570	STUD	3							
3	1	119740-01580	COVER ASSY,GEAR CASE	1							
4	2	719740-01510	COVER ASSY,GEAR CASE	1							
5	3	119740-01521	COVER, GEAR CASE	1							
6	4	23876-030000	PLUG, R03	2							
7	3	119717-01800	SEAL, OIL	1							
8	2	119717-32100	COVER ASSY	1							
9	3	119717-32080	COVER	1							
10	3	129900-32130	VALVE, RELIEF	1							
11	3	129001-32320	SPRING	1							
12	3	129001-32330	PLUG	1							
13	2	119717-32110	ROTOR, INNER	1							
14	2	119717-32120	ROTOR, OUTER	1							
15	2	119802-32130	SCREW, M6X16	8							
16	1	119717-01750	COVER	1							
17	1	119660-01911	PIPE, KNOCK	4							
18	1	119624-32040	O-RING, P12.0	1							
19	1	119717-32050	O-RING, P17.0	3							
20	1	121850-51960	O-RING	1							
21	1	26106-060122	BOLT, M6X 12 PLATED	1							
22	1	26106-060162	BOLT, M6X 16 PLATED	4							
23	1	26106-060402	BOLT, M6X 40 PLATED	4							
24	1	26106-060402	BOLT, M6X 40 PLATED	2							
25	1	26106-060602	BOLT, M6X 60 PLATED	7							
26	1	26106-060652	BOLT, M6X 65 PLATED	2							
27	1	26106-080352	BOLT, M8X 35 PLATED	3							
28	1	26306-080002	NUT, M8	3							
29	1	124160-01751	COVER, FILLER	1							
30	1	24311-000320	O-RING, 1AP32.0	1							
31	1	121023-01551	COVER	1							
32	1	24341-000240	O-RING, 1AS24.0	1							
33	1	26106-060162	BOLT, M6X 16 PLATED	2							

Fig.3. FLYWHEEL HOUSING & OIL SUMP

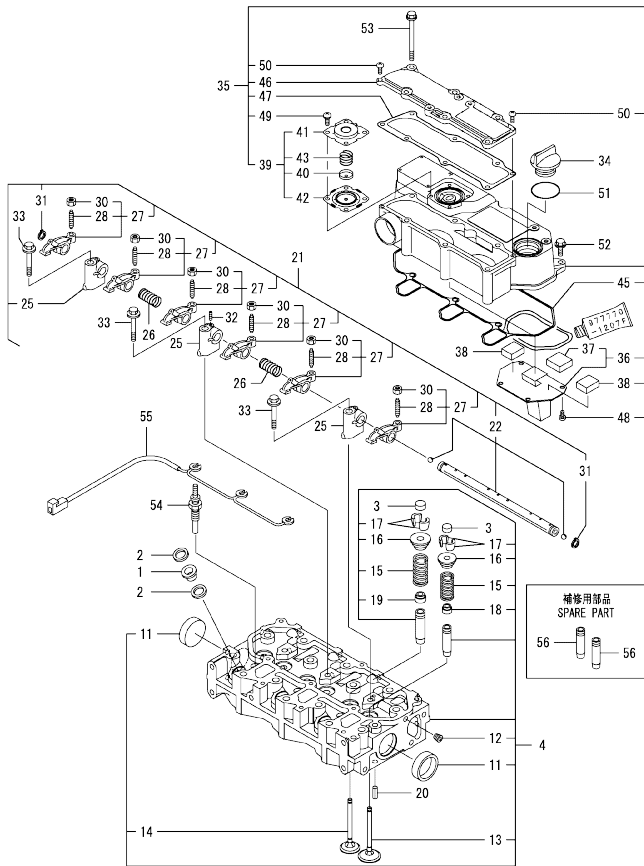


(A)=3TNV80F-SDSA
(B)=
(C)=

(D)=
(E)=
(F)=

No.	Lev.	Parts No.	Description	Q'ty						I	R
				(A)	(B)	(C)	(D)	(E)	(F)		
1	1	129100-01580	PIN, 8X16		2						
2	1	119717-01611	HOUSING, FLYWHEEL	1							
4	2	119888-01850	PLUG, RUBBER	1							
5	1	119620-01750	CAP	1							
6	1	124085-02220	SEAL, OIL	1							
7	1	26206-100252	BOLT, M10X 25 PLATED	8							
8	1	26206-100302	BOLT, M10X 30 PLATED	3							
9	1	119717-01720	SPACER, OIL SUMP	1							
10	1	119717-01770	SUMP ASSY, OIL	1							
11	2	105425-01690	PLUG, 16	1							
13	2	22190-160002	WASHER, SEAL 16	1							
14	1	26106-080122	BOLT, M8X 12 PLATED	1							
15	1	26106-080302	BOLT, M8X 30 PLATED	1							
16	1	26106-080452	BOLT, M8X 45 PLATED	11							
17	1	26106-080502	BOLT, M8X 50 PLATED	3							

Fig.4. CYLINDER HEAD & BONNET



(A)=3TNV80F-SDSA
(B)=
(C)=

(D)=
(E)=
(F)=

No.	Lev.	Parts No.	Description	Q'ty						I	R
				(A)	(B)	(C)	(D)	(E)	(F)		
1	1	129901-11450	PROTECTOR, NOZZLE	3							
2	1	119600-11460	GASKET, NOZZLE	6							
3	1	105010-11490	CAP, VALVE	6							
4	1	119E10-11750	HEAD ASSY, CYLINDER	1							
11	2	119285-11990	PLUG, 35	2							
12	2	23876-005000	PLUG, R005	1							
13	2	119E10-11100	VALVE, SUCTION	3							
14	2	119E10-11110	VALVE, EXHAUST	3							
15	2	119717-11131	SPRING, VALVE	6							
16	2	129508-11180	RETAINER, SPRING	6							
17	2	119717-11190	COTTER	12							
18	2	119717-11340	SEAL, VALVE STEM	3							
19	2	119717-11350	SEAL, VALVE STEM	3							
20	1	22351-060012	PIN, SPRING 6.0X12	2							
21	1	119717-11200	SUPPORT ASSY, ARM	1							
22	2	119717-11240	SHAFT ASSY, ROCKER	1							
25	2	119717-11260	SUPPORT, ROCKER ARM	3							
26	2	119620-11280	SPRING	2							
27	2	119717-11650	ARM, ROCKER	6							
28	3	129150-11230	SCREW, VALVE ADJUST	6							
30	3	129150-11750	NUT, M8	6							
31	2	22242-000120	RING, 12	2							
32	2	26979-050162	SCREW, M5X16	1							
33	1	26106-080402	BOLT, M8X 40 PLATED	3							
34	1	124160-01751	COVER, FILLER	1							
35	1	119717-11381	BONNET ASSY, HEAD	1							
36	2	119717-03031	PLATE	1							
37	3	119717-03070	BAFFLE, BREATHER	1							
38	2	119717-03070	BAFFLE, BREATHER	2							
39	2	119802-03100	DIAPHRAGM ASSY	1							
40	3	119802-03110	PLATE	1							
41	3	119802-03121	COVER, DIAPHRAGM	1							
42	3	119802-03131	DIAPHRAGM	1							
43	3	119802-03141	SPRING, DIAPHRAGM	1							
45	2	119718-11310	GASKET, BONNET	1							
46	2	119717-11320	COVER, BONNET	1							
47	2	119717-11331	GASKET	1							
48	2	22857-500100	SCREW, 5X10	4							
49	2	22857-500100	SCREW, 5X10	4							
50	2	22857-500160	SCREW, 5X16	2							
51	1	24311-000320	O-RING, 1AP32.0	1							
52	1	26106-060202	BOLT, M6X 20 PLATED	3							
53	1	26106-060752	BOLT, M6X 75 PLATED	6							
54	1	119717-77801	PLUG, GLOW	3							
55	1	119717-77820	CONNECTOR, GLOW PLUG	1							
56	1	119717-11800	GUIDE, VALVE	6							1

Remarks
(1)Spare parts.

Fig.5. EXHAUST MANIFOLD

(A)=3TNV80F-SDSA
(B)=
(C)=

(D)=
(E)=
(F)=

No.	Lev.	Parts No.	Description	Q'ty						I	R
				(A)	(B)	(C)	(D)	(E)	(F)		
1	1	119717-13109	MANIFOLD, EXHAUST	1							
2	1	119717-13110	GASKET	1							
3	1	119717-13600	STUD, M8X50	2							
4	1	119802-13620	BOLT, M8X50	4							
5	1	119131-18320	STUD, M8X22	4							
6	1	26306-080002	NUT, M8	2							
7	1	119515-13200	GASKET, SILENCER	1							

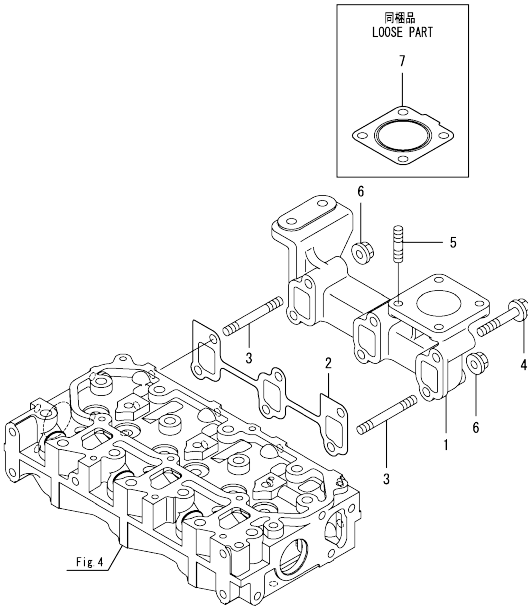
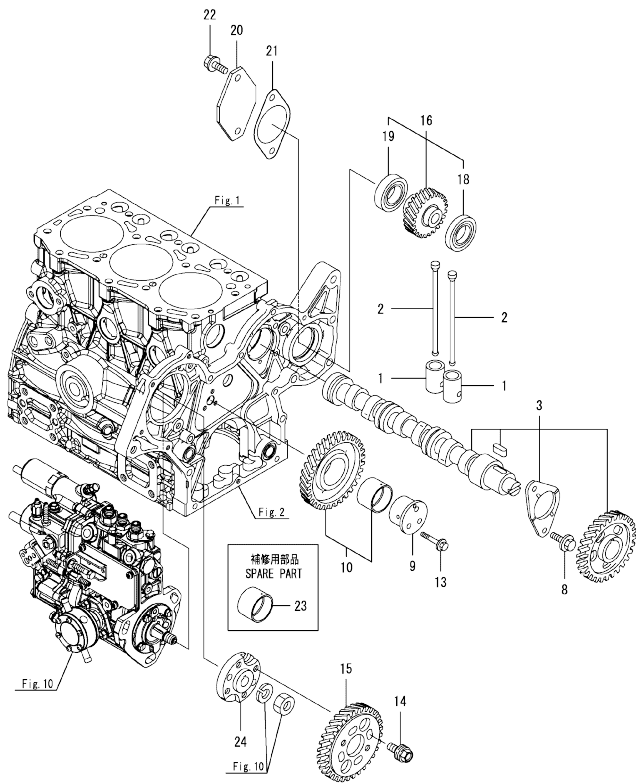


Fig.6. CAMSHAFT & DRIVING GEAR



(A)=3TNV80F-SDSA
(B)=
(C)=

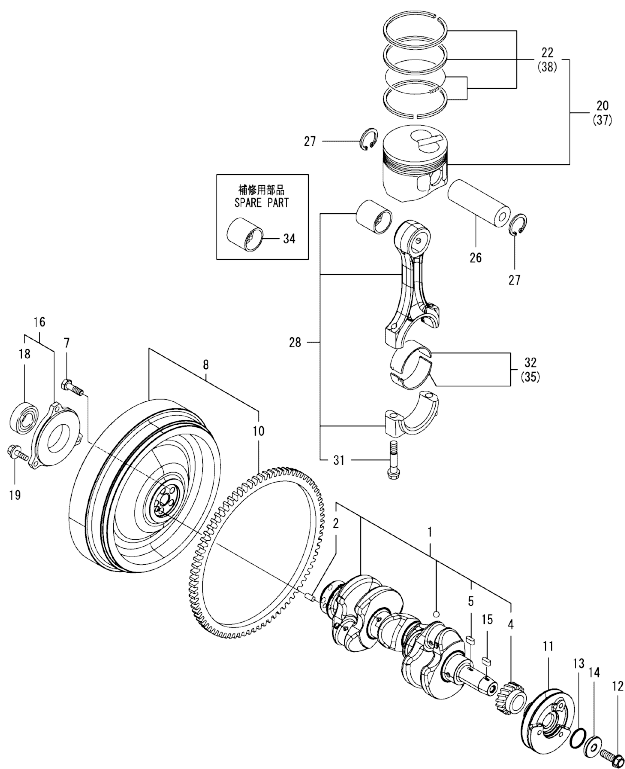
(D)=
(E)=
(F)=

No.	Lev.	Parts No.	Description	Q'ty						I	R
				(A)	(B)	(C)	(D)	(E)	(F)		
1	1	119620-14200	TAPPET	6							
2	1	119717-14400	ROD, PUSH	6							
3	1	119717-14581	CAMSHAFT ASSY	1							
8	1	26106-060122	BOLT, M6X 12 PLATED	2							
9	1	119717-25050	SHAFT, IDLE	1							
10	1	119717-25101	GEAR ASSY, IDLE	1							
13	1	26106-060352	BOLT, M6X 35 PLATED	3							
14	1	129150-25301	BOLT	4							
15	1	119717-25930	GEAR, PUMP	1							
16	1	119744-26000	GEAR ASSY, PUMP	1							
18	2	129350-26490	BEARING, BALL 16005	1							
19	2	24104-060054	BEARING, BALL 6005UU	1							
20	1	119742-26071	COVER	1							
21	1	119742-26080	GASKET	1							
22	1	26106-080162	BOLT, M8X 16 PLATED	2							
23	1	119717-25911	BUSH, IDLE GEAR	1							1
24	1	119717-51150	FLANGE	1							

Remarks

(1)Spare parts.

Fig.7. CRANKSHAFT & PISTON



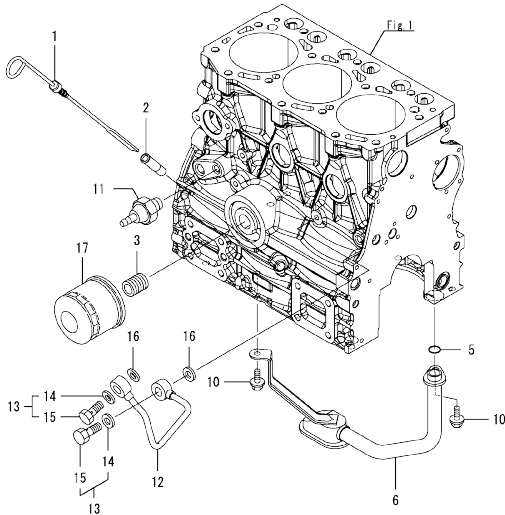
(A)=3TNV80F-SDSA
(B)=
(C)=

(D)=
(E)=
(F)=

No.	Lev.	Parts No.	Description	Q'ty						I	R
				(A)	(B)	(C)	(D)	(E)	(F)		
1	1	119E10-21700	CRANKSHAFT ASSY	1							
2	2	129100-01580	PIN, 8X16	1							
4	2	119717-21200	GEAR, CRANKSHAFT	1							
5	2	22512-040120	KEY, 4X 12	1							
7	1	121111-21501	BOLT, FLYWHEEL	5							
8	1	119E17-21570	FLYWHEEL ASSY	1							
10	2	119865-21600	GEAR, RING	1							
11	1	119C10-21650	V-PULLEY, CRANKSHAFT	1							
12	1	119621-21681	BOLT, FLANGE 12X1.25	1							
13	1	119C10-21930	PACKING, WASHER	1							
14	1	119C10-21940	WASHER, V-PULLEY	1							
15	1	22512-040120	KEY, 4X 12	1							
16	1	119888-21450	RETAINER, BEARING	1							
18	2	24104-062054	BEARING, BALL 6205UU	1							
19	1	26106-080222	BOLT, M8X 22 PLATED	3							
20	1	119E10-22080	PISTON ASSY	3							
22	2	119E10-22500	RING ASSY	3							
26	1	119E10-22300	PIN, PISTON	3							
27	1	22252-000220	RING, 22	6							
28	1	119E10-23000	ROD ASSY, CONNECTING	3							
31	2	119717-23200	BOLT, CONNECTING ROD	6							
32	1	119717-23601	BEARING, CRANK PIN	3							
34	1	119717-23910	BEARING, PISTON PIN	3							1
35	1	119717-23611	METAL ASSY, 0.25	3							2
37	1	119E10-22900	PISTON ASSY, 0.25 OS	3							3
38	2	119E10-22550	RING ASSY, 0.25	3							3

Remarks
 (1) Spare parts.
 (2) Under-sized (U.S.=0.25) parts.
 (3) Over-sized (O.S.=0.25) parts.

Fig.8. LUB. OIL SYSTEM



(A)=3TNV80F-SDSA
(B)=
(C)=

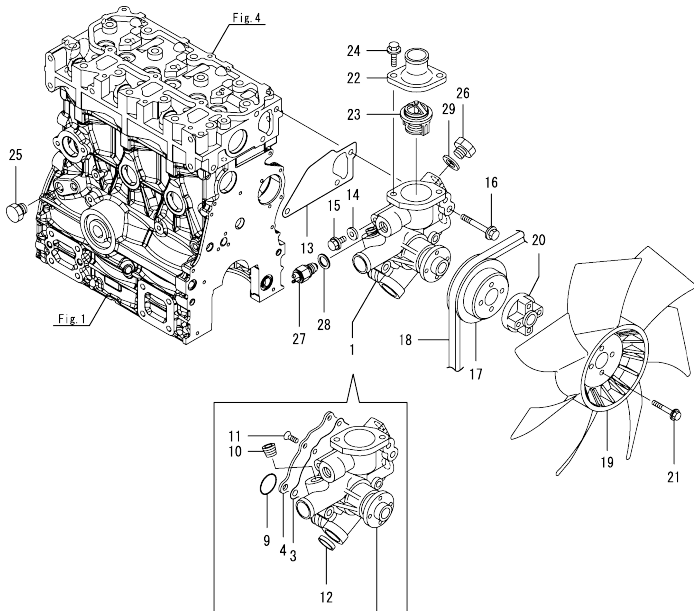
(D)=
(E)=
(F)=

No.	Lev.	Parts No.	Description	Q'ty						I	R
				(A)	(B)	(C)	(D)	(E)	(F)		
1	1	119717-34801	DIPSTICK, OIL	1							
2	1	121520-34810	GUIDE, DIPSTICK	1							
3	1	119717-35140	BOLT	1							
5	1	119717-32060	O-RING, P15.0	1							
6	1	119717-35080	PIPE ASSY, OIL INLET	1							
10	1	26106-060102	BOLT, M6X 10 PLATED	2							
11	1	114250-39450	SWITCH, 0.5KG	1							
12	1	119717-39210	PIPE, OIL	1							
13	1	129005-59830	BOLT ASSY, JOINT M8	2							
14	2	22190-080002	WASHER, SEAL 8	2							
15	2	23857-030000	BOLT, JOINT 3	2							
16	1	22190-080002	WASHER, SEAL 8	2							
17	1	119305-35170	FILTER ASSY, D68XL65	1							1

Remarks

(1)Spare parts.

Fig.9. COOLING WATER SYSTEM

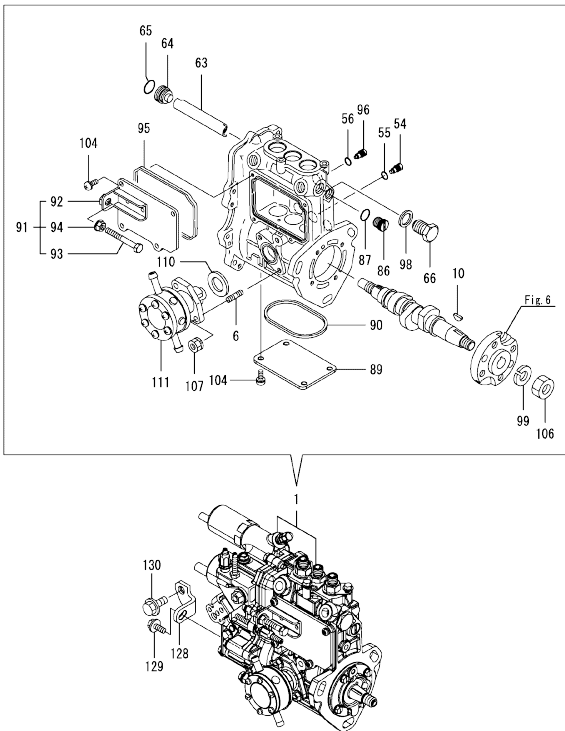


No.	Lev.	Parts No.	Description	Q'ty						I	R
				(A)	(B)	(C)	(D)	(E)	(F)		
1	1	119E10-42000	PUMP ASSY, WATER	1							
3	2	119717-42031	GASKET, WATER PUMP	1							
4	2	119717-42041	COVER, WATER PUMP	1							
9	2	119C10-42320	O-RING, 2028	1							
10	2	129916-49740	PLUG, R3/8	1							
11	2	26577-060122	SCREW, M6X12	4							
12	2	27241-250000	PLUG, 25	1							
13	1	119717-42020	GASKET, WATER PUMP	1							
14	1	23414-080000	GASKET, 8X1.0	1							
15	1	26106-080122	BOLT, M8X 12 PLATED	1							
16	1	26106-080502	BOLT, M8X 50 PLATED	3							
17	1	119717-42350	V-PULLEY, PUMP D=100	1							
18	1	25132-003700	V-BELT, A37	1							
19	1	119717-44740	FAN, COOLING D=335X7	1							
20	1	171353-44760	SPACER, FAN 25MM	1							
21	1	26106-060402	BOLT, M6X 40 PLATED	4							
21-1	1	26106-060352	BOLT, M6X 35 PLATED	4							N
(A=E26184)											
22	1	129350-49530	COVER, THERMOSTAT	1							
23	1	119717-49800	THERMOSTAT, 71C	1							
24	1	26106-080202	BOLT, M8X 20 PLATED	2							
25	1	171056-49120	PLUG, DRAIN R1/4	1							
26	1	121450-42450	PLUG, M16	1							
27	1	121250-44901	SWITCH, TEMPERATURE	1							
28	1	124465-44950	GASKET, 16	1							
29	1	124465-44950	GASKET, 16	1							

Fig.10. FUEL INJECTION PUMP

(A)=3TNV80F-SDSA
(B)=
(C)=

(D)=
(E)=
(F)=

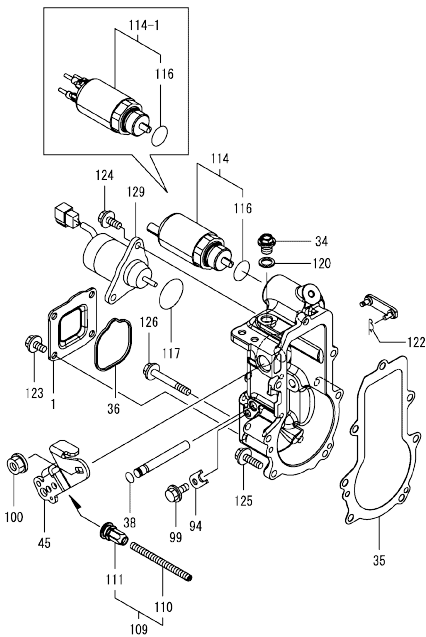


No.	Lev.	Parts No.	Description	Q'ty						I	R
				(A)	(B)	(C)	(D)	(E)	(F)		
1	1	719E17-51310	FIE ASSY	1							1
6	2	129155-51020	STUD	2							
10	2	122710-51090	KEY, FEATHER	1							
54	2	158600-51270	STOPPER, TAPPET	3							
55	2	129155-51280	O-RING, S6	3							
56	2	129155-51280	O-RING, S6	1							
63	2	129155-51400	PROTECTOR	1							
64	2	158600-51410	PLUG, DEFLIFTER M12	1							
65	2	119717-51420	O-RING	1							
66	2	158600-51420	PLUG, DEFLIFTER M16	1							
86	2	158600-51570	PLUG, RACK	1							
87	2	129155-51580	O-RING	1							
89	2	129155-51701	COVER, PUMP BOTTOM	1							
90	2	119717-51711	GASKET, PUMP	1							
91	2	119E17-51750	COVER ASSY	1							
92	3	119E17-51760	COVER, BODY SIDE	1							
93	3	129155-61460	BOLT, IDLE LIMIT	1							
94	3	26366-060002	NUT, M6	1							
95	2	119717-51761	GASKET, PUMP COVER	1							
96	2	158600-51790	STOPPER, RACK	1							
98	2	22190-160002	WASHER, SEAL 16	1							
99	2	22217-120000	WASHER, SPRING 12	1							
104	2	26022-050122	SCREW, M5X12	8							
106	2	26716-120002	NUT, M12	1							
107	2	119717-51860	NUT, M6	2							
110	2	129155-52051	GASKET, PUMP COVER	1							
111	2	129100-52101	PUMP ASSY, FUEL FEED	1							
128	1	119C10-51250	SUPPORT, FUEL PUMP	1							
128-1	1	119E10-51250	SUPPORT	1							N
(A=E16782)											
129	1	26106-060142	BOLT, M6X 14 PLATED	1							
129-1	1	26106-060162	BOLT, M6X 16 PLATED	1							N
(A=E16782)											
130	1	26106-080142	BOLT, M8X 14 PLATED	1							
130-1	1	26106-080162	BOLT, M8X 16 PLATED	1							N
(A=E16782)											

Remarks

(1)Governor(Fig.11) is incorporated in this Fuel Injection Pump(No.1).

Fig.11. GOVERNOR



(A)=3TNV80F-SDSA
(B)=
(C)=

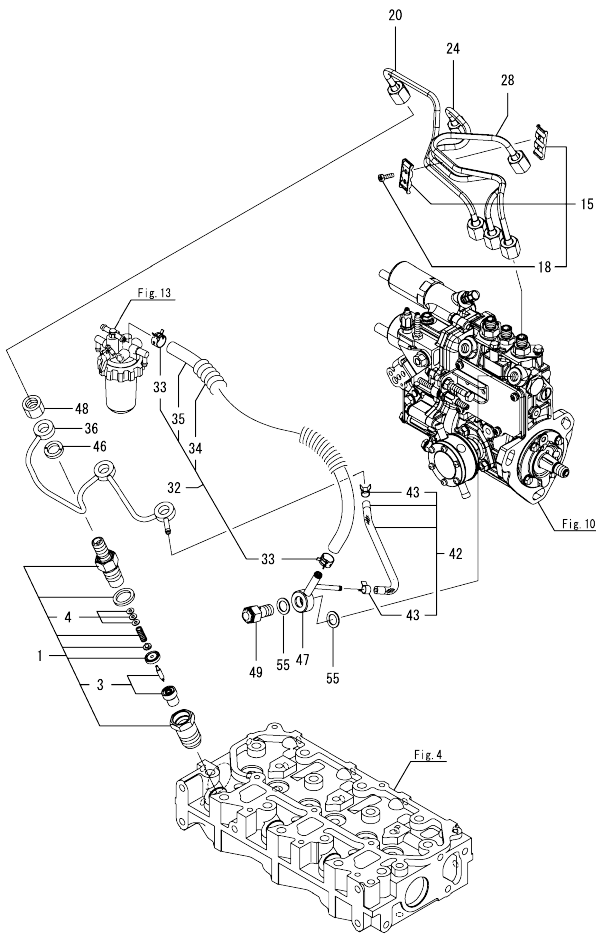
(D)=
(E)=
(F)=

No.	Lev.	Parts No.	Description	Q'ty						I	R
				(A)	(B)	(C)	(D)	(E)	(F)		
1	2	119717-61060	COVER, GOVERNOR CASE	1							
34	2	119717-51930	PLUG, M10	1							
35	2	119717-61050	GASKET, CASE	1							
36	2	119717-61070	GASKET, COVER	1							
38	2	129155-51280	O-RING, S6	1							
45	2	119515-61440	LEVER, CONTROL	1							
94	2	119660-61901	STOPPER, SHAFT	1							
99	2	26106-060102	BOLT, M6X 10 PLATED	1							
100	2	26366-080002	NUT, M8	1							
109	2	119C00-61460	BOLT ASSY	1							
110	3	119C00-61470	SCREW, ADJUSTING	1							
111	3	119C00-61480	NUT, ARB	1							
114	2	119C00-61900	SOLENOID, CONTROL	1							
114-1	2	119C00-61901	SOLENOID, POWER CONT	1							R
(A=E36635)											
116	3	24357-240200	PACKING, 24020	1							
117	2	158552-61900	O-RING	1							
120	2	22190-100002	WASHER, SEAL 10	1							
122	2	22372-040000	PIN, SNAP 4	1							
123	2	26106-060102	BOLT, M6X 10 PLATED	4							
124	2	26106-060142	BOLT, M6X 14 PLATED	2							
125	2	26106-060202	BOLT, M6X 20 PLATED	4							
126	2	26106-060452	BOLT, M6X 45 PLATED	3							
129	2	119653-77950	SOLENOID, STOP	1							

Remarks

* This figure(Governor) is incorporated in the Fuel Injection Pump(Fig.10).

Fig.12. FUEL INJECTION VALVE

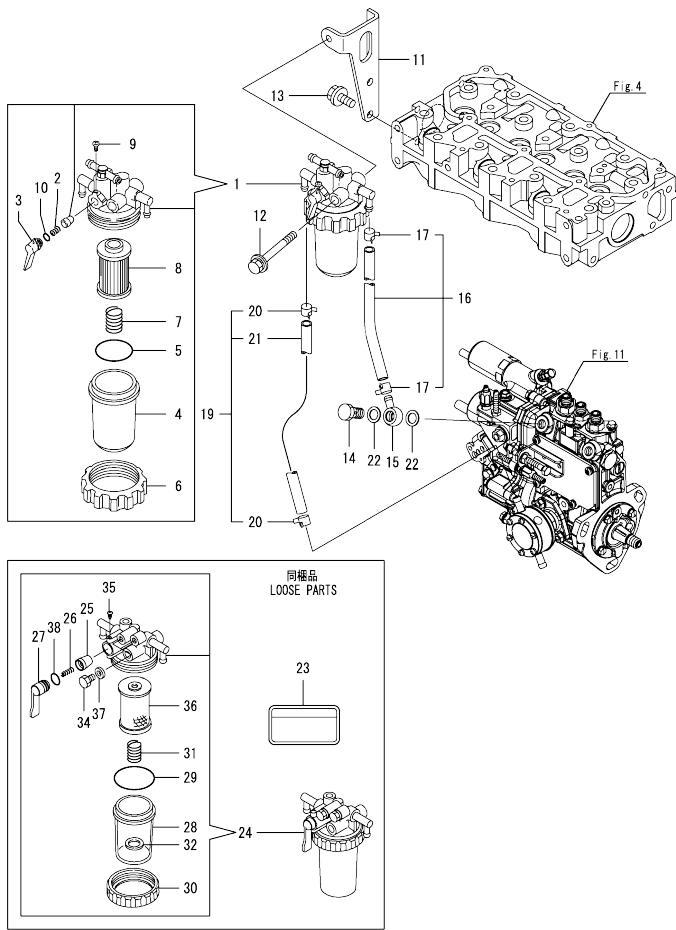


(A)=3TNV80F-SDSA
(B)=
(C)=

(D)=
(E)=
(F)=

No.	Lev.	Parts No.	Description	Q'ty					
				(A)	(B)	(C)	(D)	(E)	(F)
1	1	119C10-53000	NOZZLE ASSY, F.I.	3					
3	2	119C10-53010	NOZZLE ASSY	3					
4	2	129901-53800	SHIM SET, ADJUSTING	3					
15	1	129150-59120	RETAINER, PIPE	1					
18	2	129150-59131	BOLT, M4X14	2					
20	1	119E10-59810	PIPE ASSY,INJ.NO1	1					
24	1	119E10-59820	PIPE ASSY,INJ.NO2	1					
28	1	119E10-59830	PIPE ASSY,INJ.NO3	1					
32	1	129956-59010	PIPE ASSY, FUEL	1					
33	2	124766-59050	CLIP, HOSE 11.5	2					
34	2	129957-59101	TUBE, CORRUGATED	1					
35	2	105225-59511	PIPE, FUEL	1					
36	1	119717-59510	PIPE ASSY, RETURN	1					
42	1	119744-59560	PIPE ASSY, RETURN	1					
43	2	124066-59100	CLIP, HOSE 8	2					
46	1	129901-59560	GASKET	3					
47	1	119740-59590	JOINT, OVER FLOW	1					
48	1	119620-59700	NUT, NOZZLE	3					
49	1	119813-59950	VALVE ASSY, CHECK	1					
55	1	22190-120002	WASHER, SEAL 12	2					

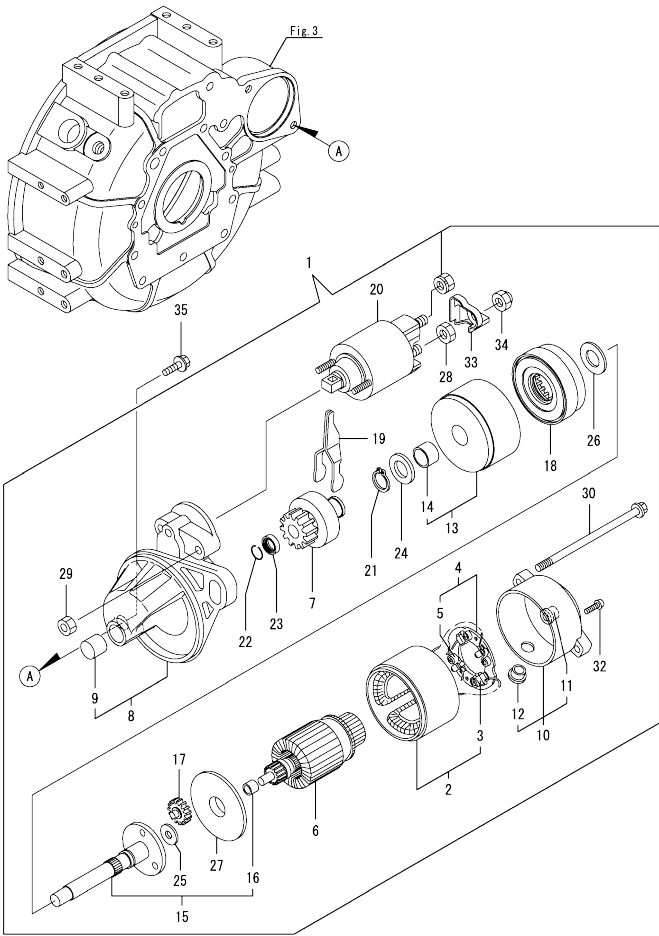
Fig.13. FUEL PIPE



No.	Lev.	Parts No.	Description	Q'ty						I	R
				(A)	(B)	(C)	(D)	(E)	(F)		
1	1	119833-55621	FILTER ASSY, FUEL	1							
2	2	104200-55330	SPRING, VALVE	1							
3	2	119810-55340	LEVER	1							
4	2	121254-55510	COVER	1							
5	2	102103-55520	O-RING	1							
6	2	110250-55610	RING, RETAINING	1							
7	2	121250-55620	SPRING	1							
8	2	119810-55650	ELEMENT	1							
9	2	104200-55750	SCREW, M4	1							
10	2	24311-240100	O-RING, 1AP10A	1							
11	1	119717-55650	BRACKET, FILTER	1							
12	1	26014-080702	BOLT, M8X 70	1							
13	1	26106-080162	BOLT, M8X 16 PLATED	2							
14	1	103854-39140	BOLT, PIPE JOINT	1							
15	1	101304-59020	JOINT, PIPE 12	1							
16	1	129210-59080	PIPE ASSY, FUEL	1							
17	2	124766-59050	CLIP, HOSE 11.5	2							
19	1	129210-59170	PIPE ASSY, FUEL	1							
20	2	124766-59050	CLIP, HOSE 11.5	2							
21	2	105225-59511	PIPE, FUEL	1							
22	1	22190-120002	WASHER, SEAL 12	2							
23	1	114110-07761	LABEL, FUEL OIL CAUT	1							
24	1	129335-55701	SEPARATOR ASSY, WATER	1							
25	2	104200-55321	VALVE, TAPER	1							
26	2	104200-55330	SPRING, VALVE	1							
27	2	104200-55341	HANDLE	1							
28	2	124064-55510	COVER	1							
29	2	102103-55520	O-RING	1							
30	2	110250-55610	RING, RETAINING	1							
31	2	121257-55720	SPRING	1							
32	2	121257-55731	FLOAT	1							
34	2	101720-55750	PLUG, 6	2							
35	2	104200-55750	SCREW, M4	1							
36	2	171081-55910	SCREEN	1							
37	2	23418-060000	GASKET, 6X1.0	2							
38	2	24311-240100	O-RING, 1AP10A	1							

N:Old $\frac{100}{100}$ New, Q:Old $\frac{100}{100}$ New, R:Old $\frac{100}{100}$ New, S:Old $\frac{100}{100}$ New, W:Add, Z:Discontinued, F:Interchangeable by set, K:Q'ty Change
 Copyright (C) 2014 YANMAR GLOBAL CS CO., LTD. All Rights Reserved.

Fig.14. STARTER MOTOR

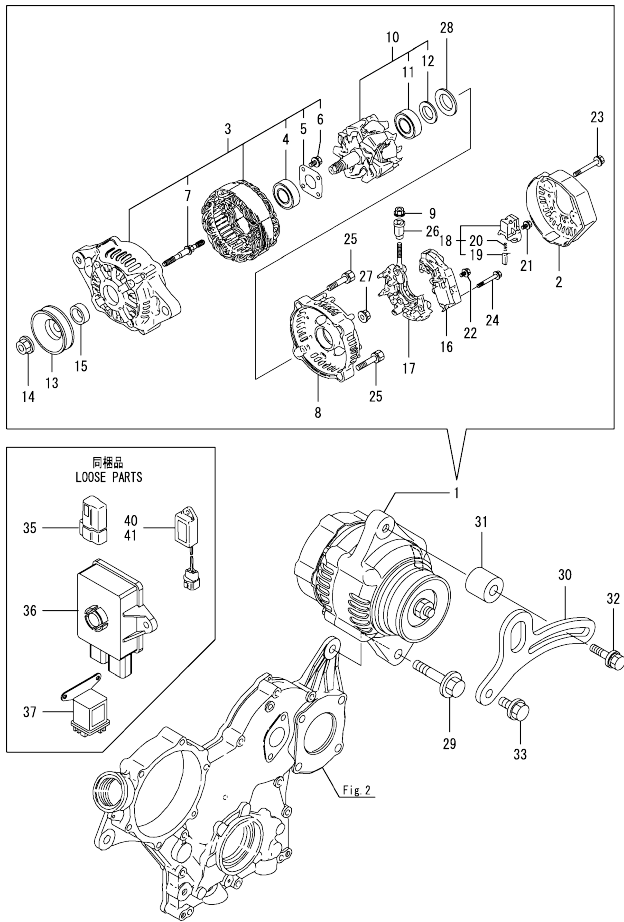


(A)=3TNV80F-SDSA
(B)=
(C)=

(D)=
(E)=
(F)=

No.	Lev.	Parts No.	Description	Qty						I	R
				(A)	(B)	(C)	(D)	(E)	(F)		
1	1	119717-77010	STARTER, P1.1	1							
2	2	X0281007750	YOKE ASSY	1							
3	3	X0280996180	STARTER KIT	2							
4	2	X0285105190	HOLDER ASSY	1							
5	3	X0285205030	SPRING	4							
6	2	X0282005991	ARMATURE ASSY	1							
7	2	X0283006960	CLUTCH ASSY	1							
8	2	X4284001590	HOUSING ASSY	1							
9	3	X9491050100	BEARING, NEEDLE	1							
10	2	X0285007030	FRAME ASSY	1							
11	3	X9491040990	BEARING	1							
12	3	X0280626010	COVER	1							
13	2	X0284105040	BEARING ASSY	1							
14	3	X9491034330	BEARING	1							
15	2	X0286105010	SHAFT ASSY	1							
16	3	X9491034320	BEARING	1							
17	2	X0286305010	GEAR	3							
18	2	X0286355010	GEAR	1							
19	2	X0287405140	LEVER	1							
20	2	X2534000090	SWITCH ASSY	1							
21	2	X9055715000	RING	1							
22	2	X9490721360	RING	1							
23	2	X0280210331	NUT	1							
24	2	X9490138110	WASHER	1							
25	2	X9490138090	WASHER	1							
26	2	X9490138100	WASHER	1							
27	2	X0284525010	PLATE	1							
28	2	X9490562360	NUT	1							
29	2	X9490560750	NUT	2							
30	2	X9490423420	BOLT, THROUGH	2							
32	2	X9490065670	SCREW, M4X6	2							
33	2	X1280330020	COVER, TERMINAL	1							
34	2	X1289510130	NUT	1							
35	1	26106-100252	BOLT, M10X 25 PLATED	2							

Fig.15. GENERATOR



(A)=3TNV80F-SDSA
(B)=
(C)=

(D)=
(E)=
(F)=

No.	Lev.	Parts No.	Description	Q'ty						I	R
				(A)	(B)	(C)	(D)	(E)	(F)		
1	1	119751-77200	GENERATOR, 12V-40AP	1							
2	2	X0215512440	COVER	1							
3	2	X1214001430	FRAME ASSY, DRIVE	1							
4	3	119620-79200	BEARING, BALL	1							
5	3	119620-79210	PLATE, RETAINER	1							
6	3	119620-79220	SCREW	4							
7	3	119620-79230	STUD	2							
8	2	X1215011050	FRAME ASSY	1							
9	2	X9490561001	NUT	1							
10	2	119620-77380	ROTOR ASSY	1							
11	3	119620-79240	BEARING, BALL	1							
12	3	119620-79250	COVER	1							
13	2	119620-77461	PULLEY	1							
14	2	119620-77471	NUT	1							
15	2	119620-77490	COLLAR	1							
16	2	129423-77710	REGULATOR ASSY	1							
17	2	119620-79260	HOLDER	1							
18	2	129052-79270	HOLDER, BRUSH	1							
19	3	119620-77480	BRUSH ASSY	2							
20	3	119620-79280	SPRING	2							
21	2	119620-79290	SCREW	6							
22	2	119620-79300	SCREW	1							
23	2	119620-79310	BOLT	3							
24	2	119620-79320	SCREW	2							
25	2	119620-79330	BOLT	2							
26	2	119620-79340	BUSH, INSULATION	1							
27	2	119620-79350	NUT	2							
28	2	119620-79360	WASHER, THRUST	1							
29	1	26106-100452	BOLT, M10X 45 PLATED	1							
30	1	119230-77330	ADJUSTER	1							
31	1	124732-77340	SPACER	1							
32	1	129972-77341	BOLT, ADJUSTER L=50	1							
33	1	26106-080202	BOLT, M8X 20 PLATED	1							
35	1	119643-66900	DIODE	1							
36	1	119C10-77600	DRIVER	1							
37	1	119650-77911	RELAY ASSY, GLOW	1							
40	1	129155-77925	TIMER	1							
41	1	129211-77920	TIMER	1							

Parts No. Index

Parts No.	Fig. No.	Ref. No.	Parts No.	Fig. No.	Ref. No.	Parts No.	Fig. No.	Ref. No.	Parts No.	Fig. No.	Ref. No.
101304-59020	13	15	119620-79330	15	25	119717-32060	8	5	119813-59950	12	49
101720-55750	13	34	119620-79340	15	26	119717-32080	2	9	119833-55621	13	1
102103-55520	13	5	119620-79350	15	27	119717-32100	2	8	119865-21600	7	10
			119620-79360	15	28	119717-32110	2	13	119888-01850	3	4
103854-39140	13	14	119621-21681	7	12	119717-32120	2	14	119888-21450	7	16
104200-55321	13	25	119623-01250	1	5	119717-34801	8	1	119C00-61460	11	109
104200-55330	13	2	119624-32040	2	18	119717-35080	8	6	119C00-61470	11	110
			119643-66900	15	35	119717-35140	8	3	119C00-61480	11	111
104200-55341	13	27	119650-77911	15	37	119717-39210	8	12	119C00-61900	11	114
104200-55750	13	9	119653-77950	11	129	119717-42020	9	13	119C00-61901	11	114 -1
			119660-01911	2	17	119717-42031	9	3	119C10-21650	7	11
105010-11490	4	3	119660-61901	11	94	119717-42041	9	4	119C10-21930	7	13
105225-59511	12	35	119717-01570	2	2	119717-42350	9	17	119C10-21940	7	14
			119717-01611	3	2	119717-44740	9	19	119C10-42320	9	9
105311-01090	1	4	119717-01720	3	9	119717-49800	9	23	119C10-51250	10	128
105425-01690	3	11	119717-01750	2	16	119717-51150	6	24	119C10-53000	12	1
110250-55610	13	6	119717-01770	3	10	119717-51420	10	65	119C10-53010	12	3
			119717-01800	2	7	119717-51711	10	90	119C10-77600	15	36
114110-07761	13	23	119717-02411	1	10	119717-51761	10	95	119E00-01560	1	1
114250-39450	8	11	119717-02930	1	23	119717-51860	10	107	119E10-01330	1	27
119131-18320	5	5	119717-03031	4	36	119717-51930	11	34	119E10-11100	4	13
119230-77330	15	30	119717-03070	4	37	119717-55650	13	11	119E10-11110	4	14
119285-01990	1	6				119717-59510	12	36	119E10-11750	4	4
119285-11990	4	11	119717-11131	4	15	119717-61050	11	35	119E10-21700	7	1
119305-35170	8	17	119717-11190	4	17	119717-61060	11	1	119E10-22080	7	20
119515-13200	5	7	119717-11200	4	21	119717-61070	11	36	119E10-22300	7	26
119515-61440	11	45	119717-11240	4	22	119717-77010	14	1	119E10-22500	7	22
119600-11460	4	2	119717-11260	4	25	119717-77801	4	54	119E10-22550	7	38
119620-01750	3	5	119717-11320	4	46	119717-77820	4	55	119E10-22900	7	37
119620-02020	1	7	119717-11331	4	47	119718-11310	4	45	119E10-23000	7	28
119620-11280	4	26	119717-11340	4	18	119740-01521	2	5	119E10-42000	9	1
119620-14200	6	1	119717-11350	4	19	119740-01580	2	3	119E10-51250	10	128 -1
119620-59700	12	48	119717-11381	4	35	119740-59590	12	47	119E10-59810	12	20
119620-77380	15	10	119717-11650	4	27	119742-01500	2	1	119E10-59820	12	24
119620-77461	15	13	119717-11800	4	56	119742-26071	6	20	119E10-59830	12	28
119620-77471	15	14	119717-13109	5	1	119742-26080	6	21	119E17-21570	7	8
119620-77480	15	19	119717-13110	5	2	119744-26000	6	16	119E17-51750	10	91
119620-77490	15	15	119717-13600	5	3	119744-59560	12	42	119E17-51760	10	92
119620-79200	15	4	119717-14400	6	2	119751-77200	15	1	121023-01551	2	31
119620-79210	15	5	119717-14581	6	3	119802-03100	4	39	121111-21501	7	7
119620-79220	15	6	119717-21200	7	4	119802-03110	4	40	121250-44901	9	27
119620-79230	15	7	119717-23200	7	31	119802-03121	4	41	121250-55620	13	7
119620-79240	15	11	119717-23601	7	32	119802-03131	4	42	121254-55510	13	4
119620-79250	15	12	119717-23611	7	35	119802-03141	4	43	121257-55720	13	31
119620-79260	15	17	119717-23910	7	34	119802-13620	5	4	121257-55731	13	32
119620-79280	15	20	119717-25050	6	9	119802-32130	2	15	121450-42450	9	26
119620-79290	15	21	119717-25101	6	10	119810-01200	1	26	121520-34810	8	2
119620-79300	15	22	119717-25911	6	23	119810-02941	1	34	121850-51960	2	20
119620-79310	15	23	119717-25930	6	15	119810-55340	13	3	122710-51090	10	10
119620-79320	15	24	119717-32050	2	19	119810-55650	13	8	124060-01050	1	11

Parts No. Index

Parts No.	Fig. No.	Ref. No.
124064-55510	13	28
124066-59100	12	43
124085-02220	3	6
124160-01751	2	29
	4	34
124160-01910	1	12
124465-44950	9	28
		29
124732-77340	15	31
124766-59050	12	33
	13	17
		20
129001-32320	2	11
129001-32330	2	12
129005-59830	8	13
129052-79270	15	18
129100-01580	3	1
	7	2
129100-52101	10	111
129150-11230	4	28
129150-11750	4	30
129150-25301	6	14
129150-59120	12	15
129150-59131	12	18
129155-51020	10	6
129155-51280	10	55
		56
	11	38
129155-51400	10	63
129155-51580	10	87
129155-51701	10	89
129155-52051	10	110
129155-61460	10	93
129155-77925	15	40
129210-59080	13	16
129210-59170	13	19
129211-77920	15	41
129335-55701	13	24
129350-26490	6	18
129350-49530	9	22
129423-77710	15	16
129508-11180	4	16
129900-32130	2	10
129901-11450	4	1
129901-53800	12	4
129901-59560	12	46
129916-49740	9	10
129956-59010	12	32
129957-59101	12	34
129972-77341	15	32

Parts No.	Fig. No.	Ref. No.
158552-61900	11	117
158600-51270	10	54
158600-51410	10	64
158600-51420	10	66
158600-51570	10	86
158600-51790	10	96
171056-49120	9	25
171081-55910	13	36
171353-44760	9	20
22190-080002	8	14
		16
22190-100002	11	120
22190-120002	12	55
	13	22
22190-160002	3	13
	10	98
22217-120000	10	99
22242-000120	4	31
22252-000220	7	27
22351-060012	4	20
22372-040000	11	122
22512-040120	7	5
		15
22857-500100	4	48
		49
22857-500160	4	50
23414-080000	9	14
23418-060000	13	37
23857-030000	8	15
23876-005000	4	12
23876-030000	2	6
24104-060054	6	19
24104-062054	7	18
24311-000320	2	30
	4	51
24311-240100	13	10
		38
24341-000240	2	32
24357-240200	11	116
25132-003700	9	18
26014-080702	13	12
26022-050122	10	104
26106-060102	8	10
	11	99
		123
26106-060122	2	21
		6
		8
26106-060142	10	129
	11	124
26106-060162	2	22

Parts No.	Fig. No.	Ref. No.
26106-060162	2	33
	10	129 -1
26106-060202	4	52
	11	125
26106-060352	6	13
	9	21 -1
26106-060402	2	23
		24
	9	21
26106-060452	11	126
26106-060602	2	25
26106-060652	2	26
26106-060752	4	53
26106-080122	3	14
	9	15
26106-080142	10	130
26106-080162	6	22
	10	130 -1
	13	13
26106-080202	9	24
	15	33
26106-080222	7	19
26106-080302	3	15
26106-080352	2	27
26106-080402	4	33
26106-080452	3	16
26106-080502	3	17
	9	16
26106-100252	14	35
26106-100452	15	29
26206-100252	3	7
26206-100302	3	8
26306-080002	2	28
	5	6
26366-060002	10	94
26366-080002	11	100
26577-060122	9	11
26716-120002	10	106
26979-050162	4	32
27241-120000	1	13
27241-250000	9	12
719717-02901	1	28
719717-02911	1	31
719740-01510	2	4
719E17-51310	10	1
X0215512440	15	2
X0280210331	14	23
X0280626010	14	12
X0280996180	14	3
X0281007750	14	2

Parts No.	Fig. No.	Ref. No.
X0282005991	14	6
X0283006960	14	7
X0284105040	14	13
X0284525010	14	27
X0285007030	14	10
X0285105190	14	4
X0285205030	14	5
X0286105010	14	15
X0286305010	14	17
X0286355010	14	18
X0287405140	14	19
X1214001430	15	3
X1215011050	15	8
X1280330020	14	33
X1289510130	14	34
X2534000090	14	20
X4284001590	14	8
X9055715000	14	21
X9490065670	14	32
X9490138090	14	25
X9490138100	14	26
X9490138110	14	24
X9490423420	14	30
X9490560750	14	29
X9490561001	15	9
X9490562360	14	28
X9490721360	14	22
X9491034320	14	16
X9491034330	14	14
X9491040990	14	11
X9491050100	14	9