

0CD50-M05030EN

P R E F A C E

This parts catalog is the 1st edition of 3TNV80F-ZXKLST for LS Mtron Ltd.

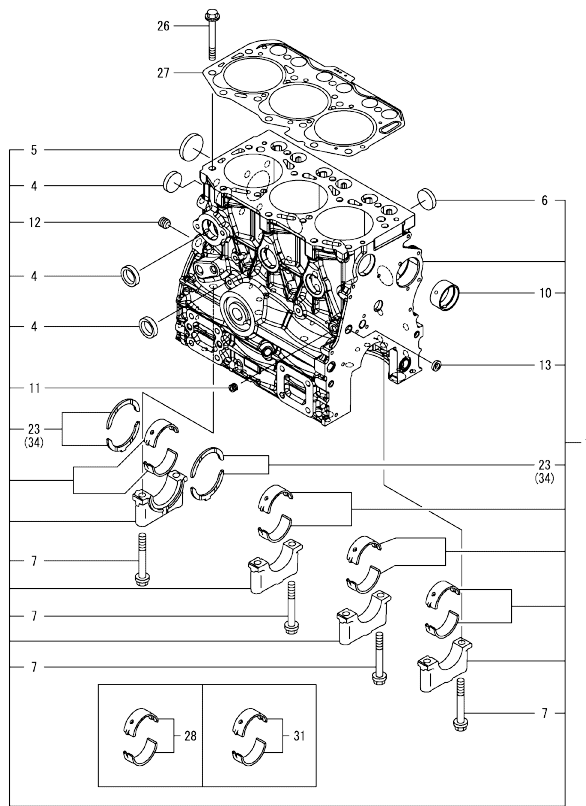
Published : May, 2019

Contents

OCD50-M05030

Fig. No.	Fig. Name	Fig. No.	Fig. Name
ENGINE			
1.	CYLINDER BLOCK		
2.	GEAR HOUSING		
3.	MOUNTING FLANGE & OIL SUMP		
19.	(3A)MOUNTING FLANGE & OIL SUMP(FROM NOV. 2019)		
4.	CYLINDER HEAD & BONNET		
5.	EXHAUST MANIFOLD		
6.	CAMSHAFT & DRIVING GEAR		
7.	CRANKSHAFT & PISTON		
8.	LUB. OIL SYSTEM		
9.	LUB. OIL PIPE		
10.	COOLING WATER SYSTEM		
11.	FUEL INJECTION PUMP		
12.	GOVERNOR		
13.	FUEL INJECTION VALVE		
14.	FUEL PIPE		
15.	STARTER MOTOR		
16.	GENERATOR		
17.	ELECTRONIC CONTROL UNIT(ECU)		
18.	ACCESSORY		

Fig.1. CYLINDER BLOCK



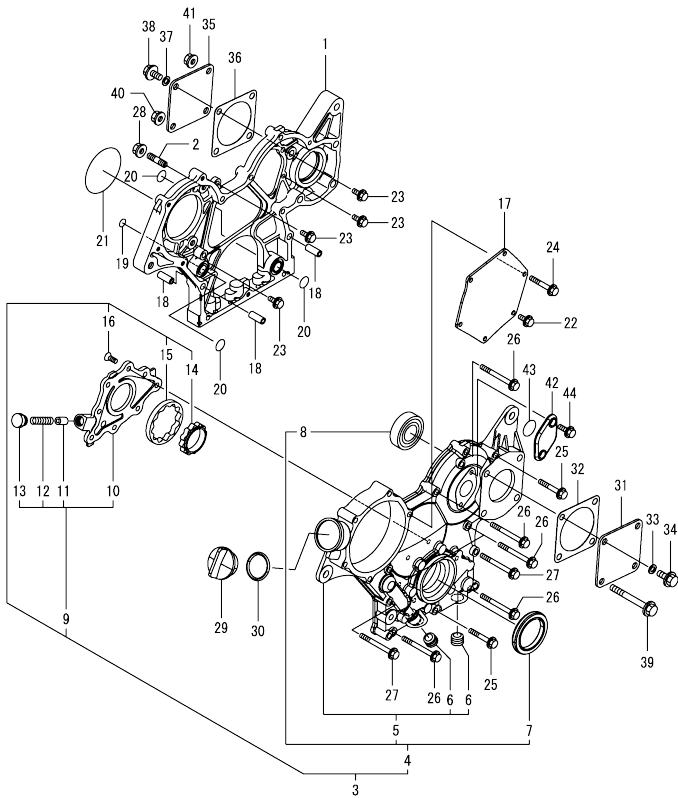
(A)=3TNV80F-ZXKLST
(B)=
(C)=

(D)=
(E)=
(F)=

No.	Lev.	Parts No.	Description	Q'ty						I	R
				(A)	(B)	(C)	(D)	(E)	(F)		
1	1	119E10-01570	BLOCK ASSY, CYLINDER	1							
4	2	105311-01090	PLUG, 30	4							
5	2	119623-01250	PLUG, 45	1							
6	2	119285-01990	PLUG, 25	3							
7	2	119620-02020	BOLT, METAL CAP	8							
10	2	119717-02411	BUSH, CAMSHAFT	1							
11	2	124060-01050	PLUG, PT1/8	1							
12	2	124160-01910	PLUG, PT1/4	1							
13	2	27241-120000	PLUG, 12	1							
23	2	119717-02930	METAL ASSY, THRUST	2							
26	1	119810-01200	BOLT, CYLINDER HEAD	14							
27	1	119E10-01330	GASKET SET, HEAD	1							
28	1	719717-02901	METAL ASSY, MAIN	4							1
31	1	719717-02911	METAL ASSY, MAIN .25	4							2
34	1	119810-02941	METAL ASSY, 0.25 OS	2							3

Remarks
(1)Spare parts.
(2)Under-sized(U.S.=0.25) parts.
(3)Over-sized(O.S.=0.25) parts.

Fig.2. GEAR HOUSING

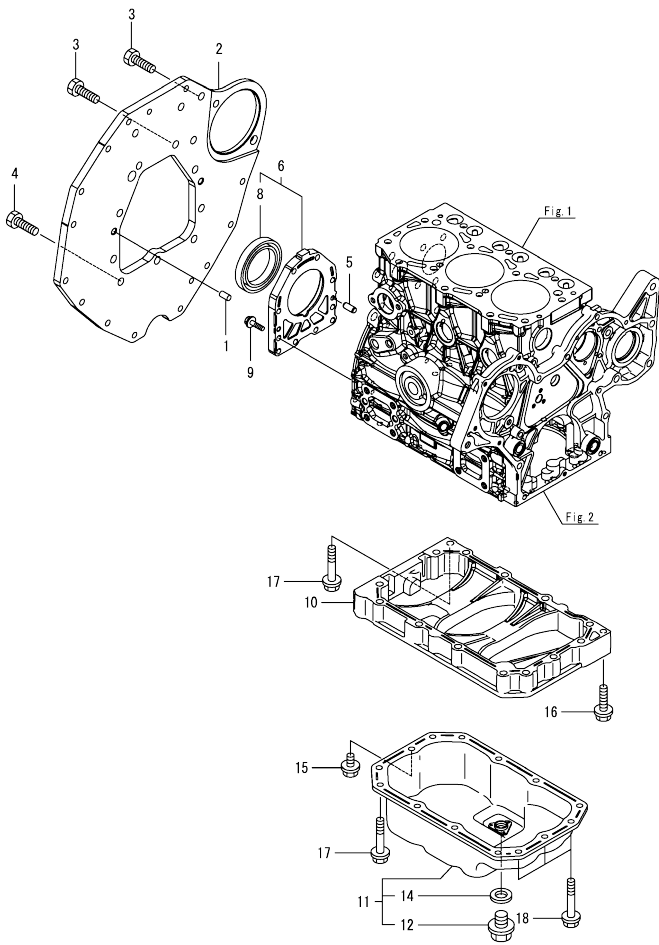


(A)=3TNV80F-ZXKLT
(B)=
(C)=

(D)=
(E)=
(F)=

No.	Lev.	Parts No.	Description	Qty						I	R
				(A)	(B)	(C)	(D)	(E)	(F)		
1	1	119740-01501	CASE, GEAR	1							
2	1	119717-01570	STUD	3							
3	1	119751-01590	COVER ASSY, CASE	1							
4	2	719751-01500	COVER ASSY, CASE	1							
5	3	119751-01521	COVER, GEAR CASE	1							
6	4	23876-030000	PLUG, R03	2							
7	3	119717-01800	SEAL, OIL	1							
8	3	24101-062024	BEARING, BALL 6202	1							
9	2	119717-32100	COVER ASSY, PUMP	1							
10	3	119717-32080	COVER, OIL PUMP	1							
11	3	129900-32130	VALVE, RELIEF	1							
12	3	129001-32320	SPRING	1							
13	3	129001-32330	PLUG	1							
14	2	119717-32110	ROTOR, INNER	1							
15	2	119717-32120	ROTOR, OUTER	1							
16	2	119802-32130	SCREW, M6X16	8							
17	1	119717-01750	COVER, PUMP	1							
18	1	119660-01911	PIPE, KNOCK 6X17	4							
19	1	119624-32040	O-RING, P12.0	1							
20	1	119717-32050	O-RING, P17.0	3							
21	1	121850-51960	O-RING, FUEL PUMP	1							
22	1	26106-060122	BOLT, M6X 12 PLATED	1							
23	1	26106-060162	BOLT, M6X 16 PLATED	4							
24	1	26106-060402	BOLT, M6X 40 PLATED	4							
25	1	26106-060402	BOLT, M6X 40 PLATED	2							
26	1	26106-060602	BOLT, M6X 60 PLATED	7							
27	1	26106-060652	BOLT, M6X 65 PLATED	2							
28	1	26306-080002	NUT, M8	3							
29	1	124160-01751	CAP, FILLER	1							
30	1	24311-000320	O-RING, 1AP32.0	1							
31	1	124240-01871	COVER, HYDRAULIC PUMP	1							
32	1	129C26-01890	GASKET, PUMP	1							
33	1	22190-080002	WASHER, SEAL 8	1							
34	1	26106-080122	BOLT, M8X 12 PLATED	1							
35	1	124240-01871	COVER, HYDRAULIC PUMP	1							
36	1	129C26-01890	GASKET, PUMP	1							
37	1	22190-080002	WASHER, SEAL 8	1							
38	1	26106-080142	BOLT, M8X 14 PLATED	1							
39	1	26106-080702	BOLT, M8X 70 PLATED	3							
40	1	26306-080002	NUT, M8	1							
41	1	26306-080002	NUT, M8	2							
42	1	121023-01551	COVER, TACHOMETER	1							
43	1	24341-000240	O-RING, 1AS24.0	1							
44	1	26106-060162	BOLT, M6X 16 PLATED	2							

Fig.3. MOUNTING FLANGE & OIL SUMP

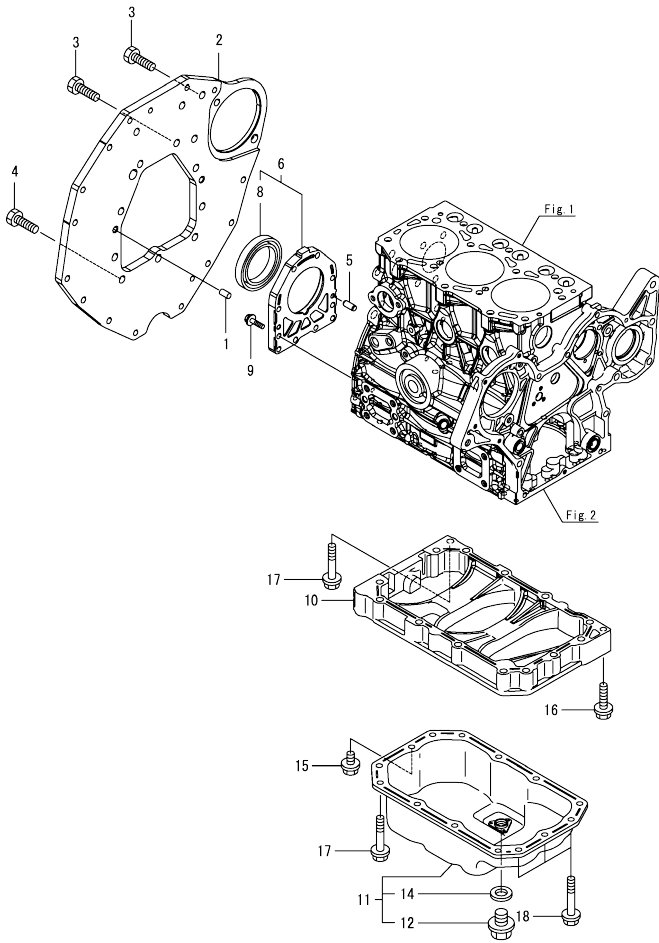


(A)=3TNV80F-ZXKLST
(B)=
(C)=

(D)=
(E)=
(F)=

No.	Lev.	Parts No.	Description	Q'ty						I	R
				(A)	(B)	(C)	(D)	(E)	(F)		
1	1	129100-01580	PIN, PARALLEL 8X16		2						
2	1	119E10-01610	FLANGE, MOUNTING		1						
3	1	26206-100202	BOLT, M10X 20 PLATED		10						
4	1	26206-100252	BOLT, M10X 25 PLATED		3						
5	1	119620-01620	PIN, PARALLEL M6X10		2						
6	1	119660-01640	CASE ASSY, OIL SEAL		1						
8	2	124085-02220	SEAL, METAL HOUSING		1						
9	1	26106-060222	BOLT, M6X 22 PLATED		10						
10	1	119717-01720	SPACER, OIL PAN		1						
11	1	119734-01780	OIL PAN ASSY		1						
12	2	105425-01690	PLUG, DRAIN M16		1						
14	2	22190-160002	WASHER, SEAL 16		1						
15	1	26106-080122	BOLT, M8X 12 PLATED		1						
16	1	26106-080302	BOLT, M8X 30 PLATED		1						
17	1	26106-080452	BOLT, M8X 45 PLATED		11						
18	1	26106-080502	BOLT, M8X 50 PLATED		3						

Fig.19. (3A)MOUNTING FLANGE & OIL SUMP(FROM NOV. 2019)

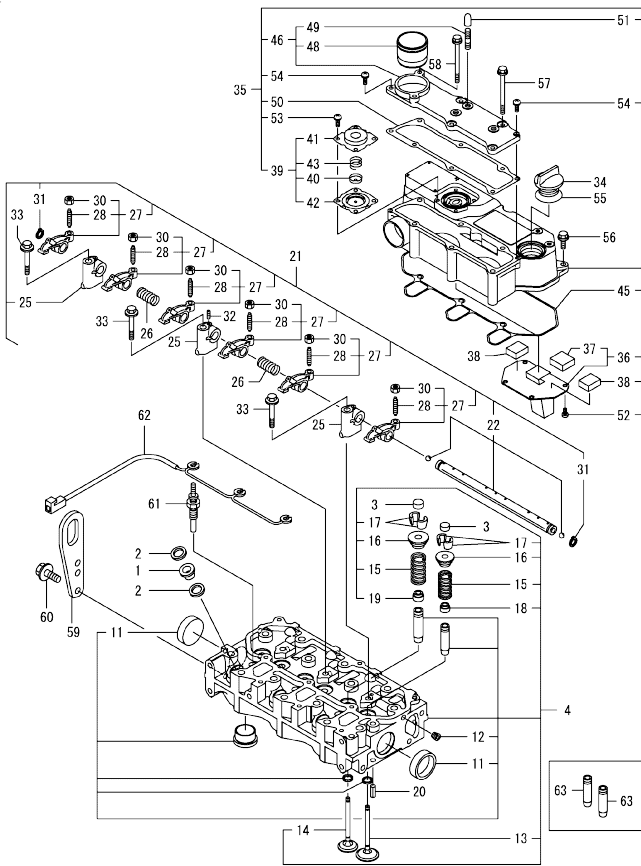


(A)=3TNV80F-ZXKLST
(B)=
(C)=

(D)=
(E)=
(F)=

No.	Lev.	Parts No.	Description	Q'ty						I	R
				(A)	(B)	(C)	(D)	(E)	(F)		
1	1	129100-01580	PIN, PARALLEL 8X16		2						
2	1	119E10-01611	FLANGE, MOUNTING		1						
3	1	26206-100202	BOLT, M10X 20 PLATED		10						
4	1	26206-100252	BOLT, M10X 25 PLATED		3						
5	1	119620-01620	PIN, PARALLEL M6X10		2						
6	1	119660-01640	CASE ASSY, OIL SEAL		1						
8	2	124085-02220	SEAL, METAL HOUSING		1						
9	1	26106-060222	BOLT, M6X 22 PLATED		10						
10	1	119717-01720	SPACER, OIL PAN		1						
11	1	119734-01780	OIL PAN ASSY		1						
12	2	105425-01690	PLUG, DRAIN M16		1						
14	2	22190-160002	WASHER, SEAL 16		1						
15	1	26106-080122	BOLT, M8X 12 PLATED		1						
16	1	26106-080302	BOLT, M8X 30 PLATED		1						
17	1	26106-080452	BOLT, M8X 45 PLATED		11						
18	1	26106-080502	BOLT, M8X 50 PLATED		3						

Fig.4. CYLINDER HEAD & BONNET



(A)=3TNV80F-ZXKLS
(B)=
(C)=

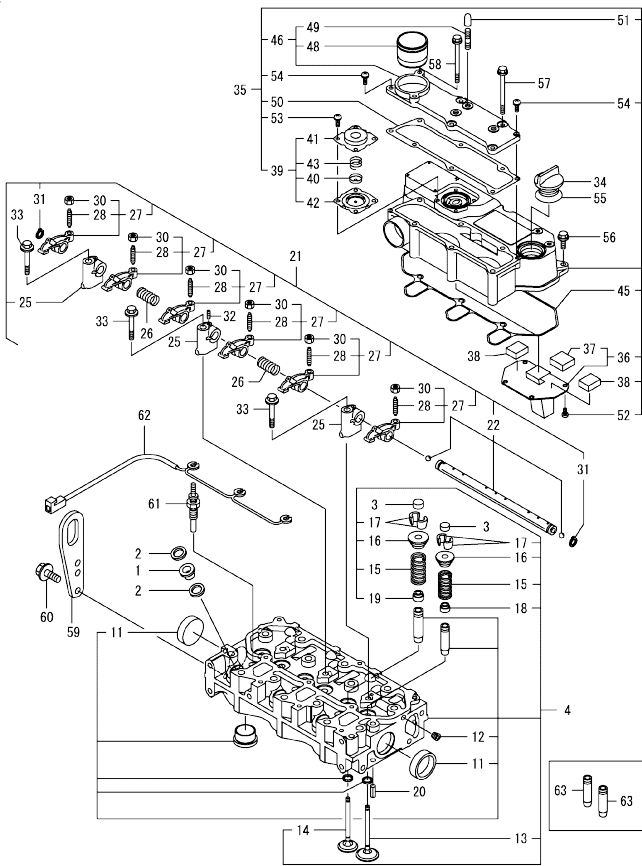
(D)=
(E)=
(F)=

No.	Lev.	Parts No.	Description	Q'ty						I	R
				(A)	(B)	(C)	(D)	(E)	(F)		
1	1	129901-11450	PROTECTOR, NOZZLE	3							
2	1	119600-11460	GASKET, NOZZLE	6							
3	1	105010-11490	CAP, VALVE	6							
4	1	119E10-11750	HEAD ASSY, CYLINDER	1							
11	3	119285-11990	PLUG, 35	2							
12	3	23876-005000	PLUG, R005	1							
13	2	119E10-11100	VALVE, INTAKE	3							
14	2	119E10-11110	VALVE, EXHAUST	3							
15	2	119717-11311	SPRING, VALVE	6							
16	2	129508-11180	RETAINER, SPRING	6							
17	2	119717-11190	COTTER, VALVE	12							
18	2	119717-11340	SEAL, VALVE STEM	3							
19	2	119717-11350	SEAL, VALVE STEM	3							
20	1	22351-060012	PIN, SPRING 6.0X12	2							
21	1	119717-11200	SUPPORT ASSY, ROCKER	1							
22	2	119717-11240	SHAFT ASSY, ARM	1							
25	2	119717-11260	SUPPORT, ROCKER ARM	3							
26	2	119620-11280	SPRING, SHAFT	2							
27	2	119717-11650	ARM ASSY, ROCKER INT	6							
28	3	129150-11230	SCREW, VALVE ADJUST	6							
30	3	129150-11750	NUT, M8X1.0	6							
31	2	22242-000120	RING, 12	2							
32	2	26979-050162	SCREW, M5X16	1							
33	1	26106-080402	BOLT, M8X 40 PLATED	3							
34	1	124160-01751	CAP, FILLER	1							
35	1	119734-11380	BONNET ASSY, HEAD	1							
36	2	119717-03031	PLATE, BAFFLE	1							
37	3	119717-03070	BAFFLE, BREATHER	1							
38	2	119717-03070	BAFFLE, BREATHER	2							
39	2	119802-03100	DIAPHRAGM ASSY	1							
40	3	119802-03110	PLATE, DIAPHRAGM	1							
41	3	119802-03121	COVER, DIAPHRAGM	1							
42	3	119802-03131	DIAPHRAGM, BREATHER	1							
43	3	119802-03141	SPRING, DIAPHRAGM	1							
45	2	119718-11310	GASKET, BONNET	1							
46	2	119734-11320	COVER ASSY, BONNET	1							
48	3	119734-11340	JOINT	1							
49	3	26216-080222	STUD, M8X 22	3							
50	2	119717-11331	GASKET, BONNET COVER	1							
51	2	119802-59580	CAP FUEL	3							
52	2	22857-500100	SCREW, 5X10	4							
53	2	22857-500100	SCREW, 5X10	4							
54	2	22857-500160	SCREW, 5X16	2							
55	1	24311-000320	O-RING, 1AP32.0	1							
56	1	26106-060202	BOLT, M6X 20 PLATED	3							
57	1	26106-060752	BOLT, M6X 75 PLATED	4							
58	1	26106-060852	BOLT, M6X 85 PLATED	2							
59	1	119226-07900	LIFTER, ENGINE	1							
60	1	26106-080162	BOLT, M8X 16 PLATED	2							
61	1	119717-77801	PLUG, GLOW	3							
62	1	119717-77820	CONNECTOR, GLOW PLUG	1							

Remarks

(1)Spare parts.

Fig.4. CYLINDER HEAD & BONNET



(A)=3TNV80F-ZXKLST
(B)=
(C)=

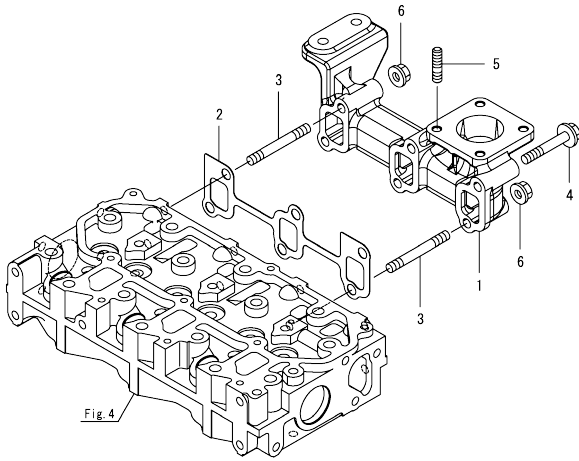
(D)=
(E)=
(F)=

No.	Lev.	Parts No.	Description	Q'ty						I	R
				(A)	(B)	(C)	(D)	(E)	(F)		
63	1	119717-11800	GUIDE, VALVE	6							1

Remarks

(1)Spare parts.

Fig.5. EXHAUST MANIFOLD

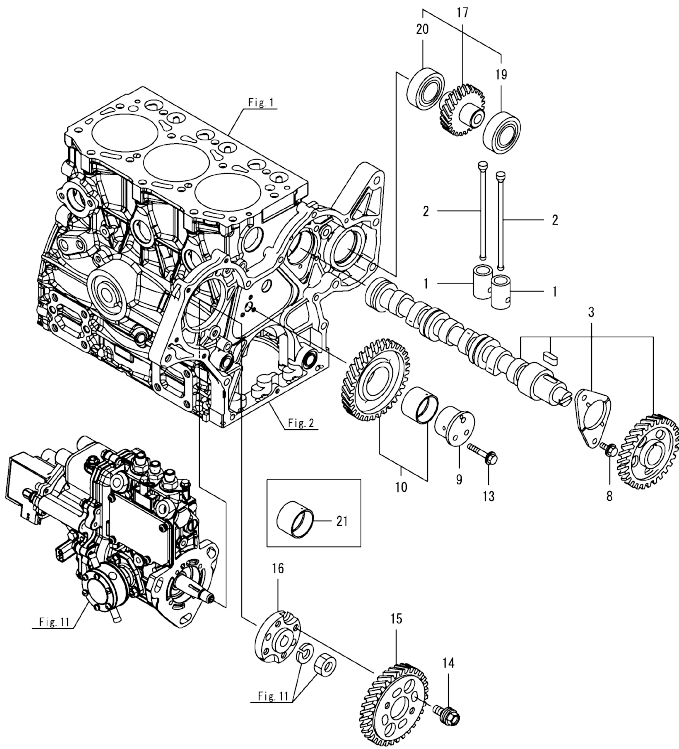


(A)=3TNV80F-ZXKLST
(B)=
(C)=

(D)=
(E)=
(F)=

No.	Lev.	Parts No.	Description	Q'ty					
				(A)	(B)	(C)	(D)	(E)	(F)
1	1	119E10-13110	MANIFOLD, EXHAUST	1					
2	1	119717-13110	GASKET, MANIFOLD	1					
3	1	119717-13600	STUD, M8X50	2					
4	1	129E00-13610	BOLT, M8X50 10.9	4					
5	1	119131-18320	STUD, M8X22	4					
6	1	26306-080002	NUT, M8	2					

Fig.6. CAMSHAFT & DRIVING GEAR



(A)=3TNV80F-ZXKLST
(B)=
(C)=

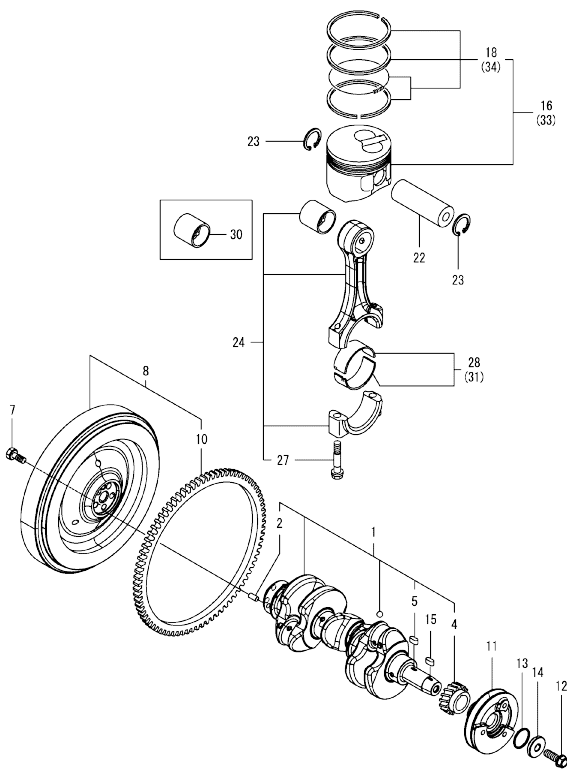
(D)=
(E)=
(F)=

No.	Lev.	Parts No.	Description	Q'ty						I	R
				(A)	(B)	(C)	(D)	(E)	(F)		
1	1	119620-14200	TAPPET	6							
2	1	119717-14400	ROD, PUSH	6							
3	1	119717-14581	CAMSHAFT ASSY	1							
8	1	26106-060122	BOLT, M6X 12 PLATED	2							
9	1	119717-25050	SHAFT, IDLE GEAR	1							
10	1	119717-25101	GEAR ASSY, IDLE	1							
13	1	26106-060352	BOLT, M6X 35 PLATED	3							
14	1	129150-25301	BOLT, INJECTION PUMP	4							
15	1	119717-25930	GEAR, PUMP	1							
16	1	119717-51150	FLANGE, CAMSHAFT	1							
17	1	119717-26000	GEAR ASSY, PUMP	1							
19	2	129350-26490	BEARING, BALL 16005	1							
20	2	24104-060054	BEARING, BALL 6005UU	1							
21	1	119717-25911	BUSH, IDLE GEAR	1							1

Remarks

(1)Spare parts.

Fig.7. CRANKSHAFT & PISTON



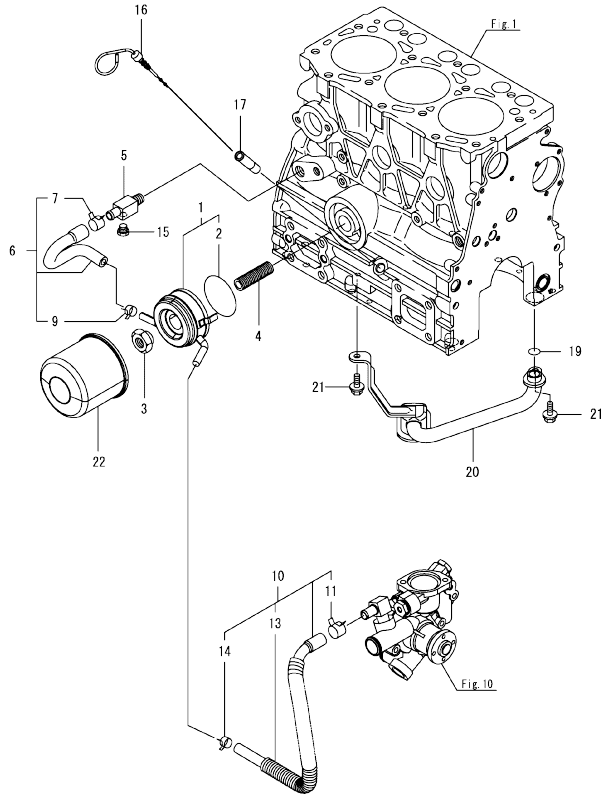
(A)=3TNV80F-ZXKLST
(B)=
(C)=

(D)=
(E)=
(F)=

No.	Lev.	Parts No.	Description	Q'ty						I	R
				(A)	(B)	(C)	(D)	(E)	(F)		
1	1	119E10-21700	CRANKSHAFT ASSY	1							
2	2	129100-01580	PIN, PARALLEL 8X16	1							
4	2	119717-21200	GEAR, CRANKSHAFT	1							
5	2	22512-040120	KEY, 4X 12	1							
7	1	121111-21501	BOLT, FLYWHEEL	5							
8	1	119E10-21560	FLYWHEEL ASSY	1							
10	2	129350-21600	GEAR, RING Z=114	1							
11	1	119C10-21650	V-PULLEY, CRANKSHAFT	1							
12	1	119621-21681	BOLT, FLANGE 12X1.25	1							
13	1	119C10-21931	PACKING, WASHER	1							
14	1	119C10-21940	WASHER, V-PULLEY	1							
15	1	22512-040120	KEY, 4X 12	1							
16	1	119E11-22080	PISTON ASSY	3							
18	2	119E10-22500	RING SET, PISTON	3							
22	1	119E10-22300	PIN, PISTON	3							
23	1	22252-000220	RING, 22	6							
24	1	119E10-23001	ROD ASSY, CONNECTING	3							
27	2	119717-23200	BOLT, CONNECTING ROD	6							
28	1	119717-23601	METAL ASSY, CRANK PIN	3							
30	1	119717-23911	BUSH, PISTON PIN	3							1
31	1	119717-23611	METAL ASSY, PIN .25	3							2
33	1	119E11-22900	PISTON ASSY, 0.25 OS	3							3
34	2	119E10-22550	RING SET, PISTON .25	3							3

Remarks
(1) Spare parts.
(2) Under-sized (U.S.=0.25) parts.
(3) Over-sized (O.S.=0.25) parts.

Fig.8. LUB. OIL SYSTEM



(A)=3TNV80F-ZXKLST
(B)=
(C)=

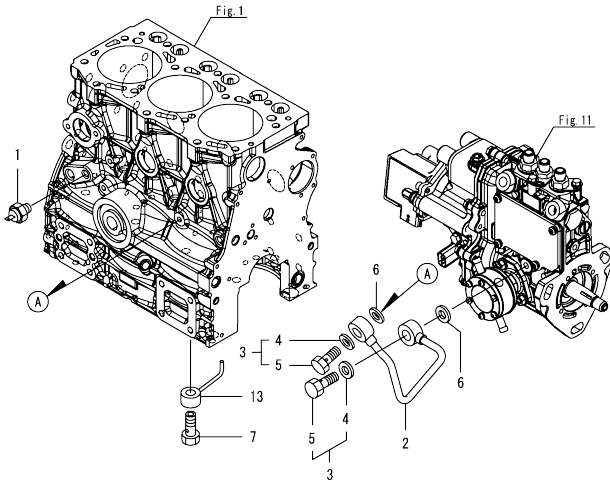
(D)=
(E)=
(F)=

No.	Lev.	Parts No.	Description	Q'ty						I	R
				(A)	(B)	(C)	(D)	(E)	(F)		
1	1	119717-33010	COOLER, OIL	1							
2	2	129508-33050	O-RING	1							
3	1	129417-33111	NUT, OIL COOLER	1							
4	1	119E11-35140	STUD, LO FILTER	1							
5	1	129006-44480	JOINT, R02	1							
6	1	119E11-49010	PIPE ASSY, COOLER IN	1							
7	2	171008-03990	CLAMP, HOSE 18.5	1							
9	2	23080-015000	CLAMP, 15	1							
10	1	129508-49040	HOSE ASSY, COOLER OUT	1							
11	2	171008-03990	CLAMP, HOSE 18.5	1							
13	2	119940-59130	TUBE, CORRUGATED 19	1							
14	2	23080-015000	CLAMP, 15	1							
15	1	171056-49120	PLUG, DRAIN R1/4	1							
16	1	119E10-34800	DIPSTICK, LUB.OIL	1							
17	1	121520-34810	GUIDE, DIPSTICK	1							
19	1	119717-32060	O-RING, P15.0	1							
20	1	119734-35090	PIPE ASSY, OIL INLET	1							
21	1	26106-060102	BOLT, M6X 10 PLATED	2							
22	1	119305-35151	FILTER ASSY, D68XL65	1							1

Remarks

(1)Spare parts.

Fig.9. LUB. OIL PIPE



(A)=3TNV80F-ZXKLST
(B)=
(C)=

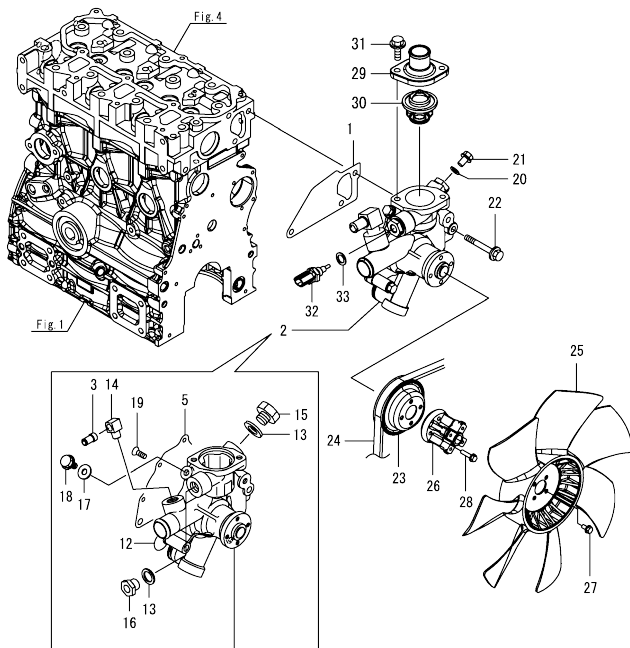
(D)=
(E)=
(F)=

No.	Lev.	Parts No.	Description	Q'ty					
				(A)	(B)	(C)	(D)	(E)	(F)
1	1	114250-39450	SWITCH, HYDRAULIC	1					
2	1	119717-39210	PIPE, PUMP	1					
3	1	129005-59530	BOLT ASSY, JOINT M8	2					
4	2	22190-080002	WASHER, SEAL 8	2					
5	2	23857-030000	BOLT, JOINT 3	2					
6	1	22190-080002	WASHER, SEAL 8	2					
7	1	119E11-39410	VALVE ASSY, CHECK	3					
13	1	119E11-39660	NOZZLE ASSY, PISTON	3					

Fig.10. COOLING WATER SYSTEM

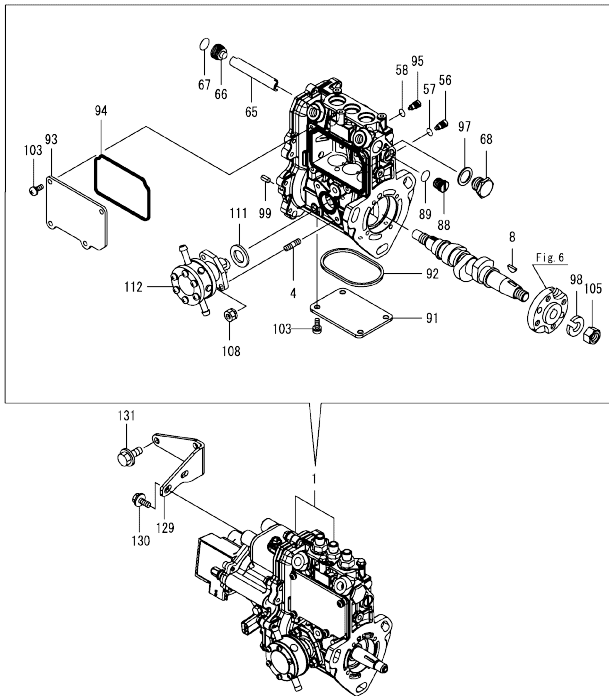
(A)=3TNV80F-ZXKLST
(B)=
(C)=

(D)=
(E)=
(F)=



No.	Lev.	Parts No.	Description	Qty						I	R
				(A)	(B)	(C)	(D)	(E)	(F)		
1	1	119717-42020	GASKET, WATER PUMP	1							
2	1	119E10-42050	PUMP ASSY, WATER	1							
3	2	121851-11970	JOINT, PIPE 3/8	1							
5	2	119751-42030	GASKET, WATER PUMP	1							
12	2	119C10-42320	O-RING, 2028	1							
13	2	124465-44950	GASKET, 16	2							
14	2	119751-49310	JOINT, WATER RETURN	1							
15	2	119E11-49350	JOINT, AIR DRAIN	1							
16	2	129974-49350	JOINT, SENSOR	1							
17	2	23414-080000	GASKET, 8X1.0	1							
18	2	26106-080122	BOLT, M8X 12 PLATED	1							
19	2	26577-060122	SCREW, M6X12	5							
20	1	23414-080000	GASKET, 8X1.0	1							
21	1	26106-080122	BOLT, M8X 12 PLATED	1							
22	1	26106-080502	BOLT, M8X 50 PLATED	3							
23	1	119717-42350	V-PULLEY, PUMP D=100	1							
24	1	25152-003700	V-BELT, A37	1							
25	1	119717-44740	FAN, COOLING D=335X7	1							
26	1	119E10-44760	SPACER, FAN	1							
27	1	26106-060122	BOLT, M6X 12 PLATED	4							
28	1	26106-060252	BOLT, M6X 25 PLATED	4							
29	1	129350-49530	COVER, THERMOSTAT	1							
30	1	119717-49800	THERMOSTAT, 71C	1							
31	1	26106-080202	BOLT, M8X 20 PLATED	2							
32	1	129927-44900	SENSOR, TEMPERATURE	1							
33	1	22190-120002	WASHER, SEAL 12	1							

Fig.11. FUEL INJECTION PUMP



(A)=3TNV80F-ZXKLST
(B)=
(C)=

(D)=
(E)=
(F)=

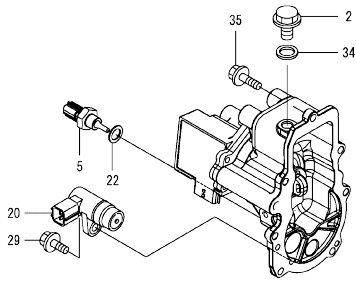
No.	Lev.	Parts No.	Description	Q'ty						I	R
				(A)	(B)	(C)	(D)	(E)	(F)		
1	1	719E10-51390	FIE ASSY	1							1
4	2	129155-51020	STUD	2							
8	2	122710-51090	KEY, FEATHER	1							
56	2	158600-51270	STOPPER, TAPPET	3							
57	2	129155-51280	O-RING, S6	3							
58	2	129155-51280	O-RING, S6	1							
65	2	129155-51400	PROTECTOR	1							
66	2	158600-51410	PLUG, DEFLIFTER M12	1							
67	2	119717-51420	O-RING	1							
68	2	158600-51420	PLUG, DEFLIFTER M16	1							
88	2	158600-51570	PLUG, RACK	1							
89	2	129155-51580	O-RING	1							
91	2	129155-51701	COVER, PUMP BOTTOM	1							
92	2	119717-51711	GASKET, PUMP	1							
93	2	119717-51750	COVER, BODY SIDE	1							
94	2	119717-51761	GASKET, PUMP COVER	1							
95	2	158600-51790	STOPPER, RACK	1							
97	2	22190-160002	WASHER, SEAL 16	1							
98	2	22217-120000	WASHER, SPRING 12	1							
99	2	22351-050010	PIN, SPRING 5.0X10	2							
103	2	26022-050122	SCREW, M5X12	8							
105	2	26716-120002	NUT, M12	1							
108	2	119717-51860	NUT, M6	2							
111	2	129155-52051	GASKET, PUMP COVER	1							
112	2	129100-52101	PUMP ASSY, FUEL FEED	1							
129	1	119E11-51200	SUPPORT, FOP	1							
130	1	26106-080142	BOLT, M8X 14 PLATED	2							
131	1	26106-080202	BOLT, M8X 20 PLATED	2							

Remarks

(1)Governor(Fig.12) is incorporated in this Fuel Injection Pump(No.1).

OCD50-M05030 ENGINE
 Fig.12. GOVERNOR

OCD50-M05030 Fig.12



(A)=3TNV80F-ZXKLST
 (B)=
 (C)=

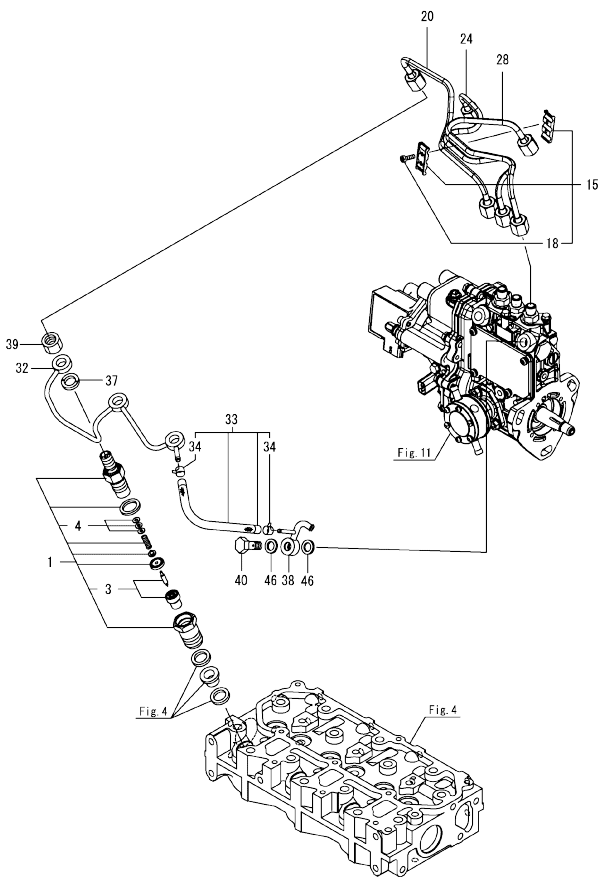
(D)=
 (E)=
 (F)=

No.	Lev.	Parts No.	Description	Q'ty					
				(A)	(B)	(C)	(D)	(E)	(F)
2	2	119717-51930	PLUG, M10	1					
5	2	119E11-39440	SENSOR, OIL TEMP	1					
20	2	158557-61720	SENSOR, ROTATION	1					
22	2	22190-120002	WASHER, SEAL 12	1					
29	2	26106-060162	BOLT, M6X 16 PLATED	1					
34	2	22190-100002	WASHER, SEAL 10	1					
35	2	26106-060202	BOLT, M6X 20 PLATED	7					

Remarks

* This figure(Governor) is incorporated in the Fuel Injection Pump(Fig.11).

Fig.13. FUEL INJECTION VALVE



(A)=3TNV80F-ZXKLST
(B)=
(C)=

(D)=
(E)=
(F)=

No.	Lev.	Parts No.	Description	Q'ty						I	R
				(A)	(B)	(C)	(D)	(E)	(F)		
1	1	119C10-53000	VALVE ASSY,INJECTION	3							
3	2	119C10-53010	VALVE ASSY,INJECTION	3							
4	2	129901-53800	SHIM SET, ADJUSTING	3							1
15	1	129150-59120	RETAINER, PIPE	1							
18	2	129150-59131	BOLT, M4X14	2							
20	1	119E10-59810	PIPE ASSY, INJECTION	1							
24	1	119E10-59820	PIPE, INJECTION NO.2	1							
28	1	119E10-59830	PIPE, INJECTION NO.3	1							
32	1	119E11-59510	PIPE ASSY, FO RETURN	1							
33	1	119744-59560	HOSE ASSY, RETURN	1							
34	2	124066-59100	CLAMP, HOSE 8	2							
37	1	129901-59560	GASKET, FUEL RETURN	3							
38	1	119740-59590	JOINT, OVERFLOW	1							
39	1	119620-59700	NUT, NOZZLE RETURN	3							
40	1	119813-59950	VALVE ASSY, CHECK	1							
46	1	22190-120002	WASHER, SEAL 12	2							

Remarks

(1)Spare parts.

OCD50-M05030 ENGINE

Fig.14. FUEL PIPE

OCD50-M05030 Fig.14

(A)=3TNV80F-ZXKLST
(B)=
(C)=

(D)=
(E)=
(F)=

No.	Lev.	Parts No.	Description	Q'ty					
				(A)	(B)	(C)	(D)	(E)	(F)
1	1	103854-39140	BOLT, PIPE JOINT	1					
2	1	101304-59020	JOINT, PIPE 12	1					
3	1	22190-120002	WASHER, SEAL 12	2					

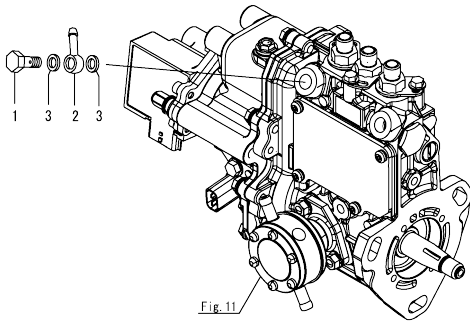
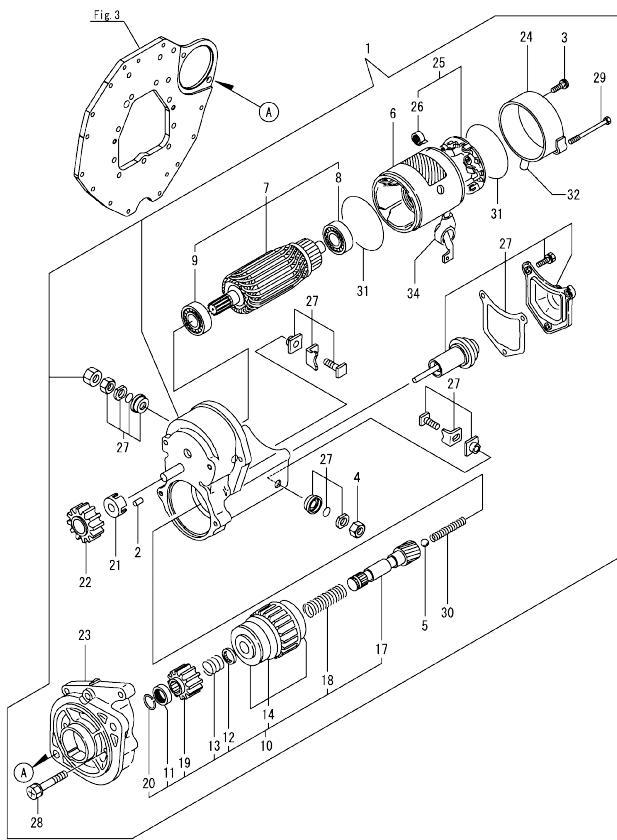


Fig.15. STARTER MOTOR



(A)=3TNV80F-ZXKLS
(B)=
(C)=

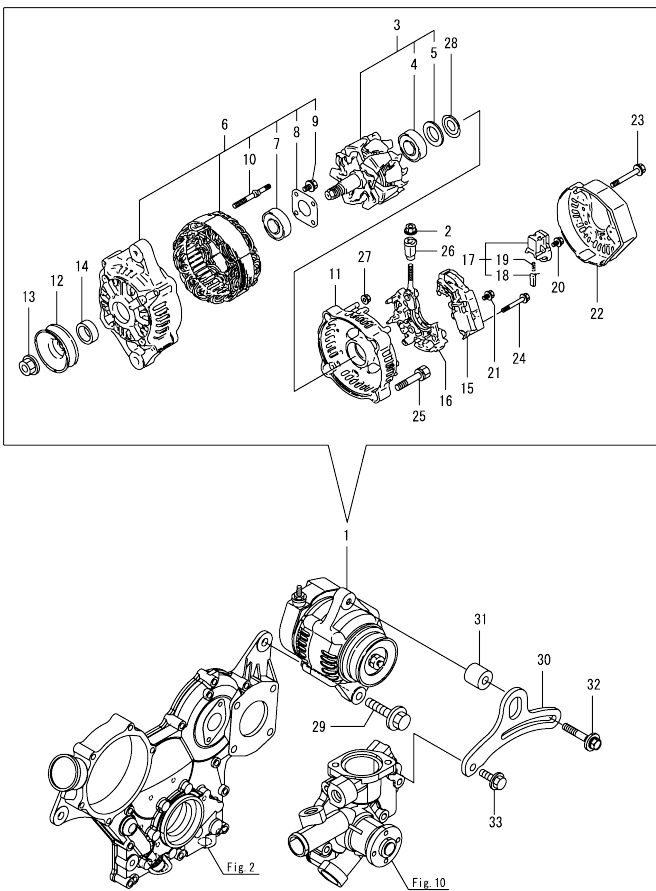
(D)=
(E)=
(F)=

No.	Lev.	Parts No.	Description	Q'ty						I	R
				(A)	(B)	(C)	(D)	(E)	(F)		
1	1	129129-77010	STARTER, RA1.2	1							1
1-1	1	129407-77010 (A=E80300)	STARTER, RA1.4	1							N 1
2	2	X0283060061	ROLLER		5						
3	2	129129-77460	SCREW		2						
4	2	X9490561370	NUT		1						
5	2	X9491200240	BALL, STEEL		1						
6	2	129129-77210	YOKE ASSY		1						
6-1	2	129407-77210	YOKE ASSY		1						N
		(A=E80300)									
7	2	129129-77220	ARMATURE ASSY		1						
7-1	2	129407-77220	ARMATURE ASSY		1						N
		(A=E80300)									
8	3	129129-77230	BEARING, BALL		1						
9	3	129129-77240	BEARING, BALL		1						
10	2	129129-77250	STARTER		1						
10-1	2	129407-77250 (A=E80300)	STARTER		1						N
11	3	X0280210230	NUT, PINION STOP		1						
12	3	X0283270140	RETAINER, SNAP		1						
13	3	X9491703371	SPRING, COIL		1						
13-1	3	129407-77410 (A=E80300)	SPRING, COIL		1						N
14	3	129129-77390	CLUTCH ASSY, STARTER		1						
14-1	3	129407-77390 (A=E80300)	CLUTCH ASSY, STARTER		1						N
17	3	129129-77400	SHAFT, STARTER		1						
18	3	129129-77410	SPRING, COIL		1						
19	3	129129-77420	PINION, STARTER		1						
20	3	129129-77430	RING, SNAP		1						
21	2	129129-77260	RETAINER		1						
22	2	129129-77270	PINION		1						
23	2	129129-77280	HOUSING, STARTOR		1						
23-1	2	129407-77280 (A=E80300)	HOUSING, STARTOR		1						N
24	2	129129-77290	FRAME, STARTER END		1						
25	2	129129-77300	HOLDER ASSY		1						
25-1	2	129407-77300 (A=E80300)	HOLDER ASSY		1						N
26	3	X9491730461	SPRING, BRUSH		4						
27	2	129129-77310	SWITCH ASSY, MAGNET		1						
27-1	2	129407-77310 (A=E80300)	SWITCH ASSY, MAGNET		1						N
28	2	129129-77320	BOLT, W/WASHER		2						
29	2	129129-77330	BOLT		2						
29-1	2	129407-77330 (A=E80300)	BOLT		2						N
30	2	129129-77340	SPRING		1						
31	2	129129-77350	O-RING		2						
32	2	129129-77362	COVER		1						
34	2	129129-77380	CAP		1						

Remarks

(1) Loose parts.

Fig.16. GENERATOR

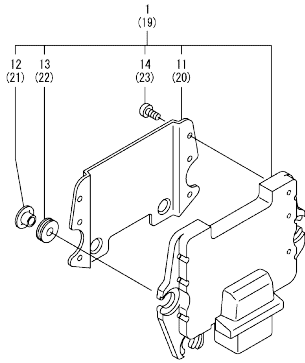


(A)=3TNV80F-ZXKLT
(B)=
(C)=

(D)=
(E)=
(F)=

No.	Lev.	Parts No.	Description	Q'ty					
				(A)	(B)	(C)	(D)	(E)	(F)
1	1	129423-77210	ALTERNATOR, 12V-40A	1					
2	2	129240-79310	NUT	1					
3	2	119620-77380	ROTOR ASSY	1					
4	3	123501-79240	BEARING, BALL	1					
5	3	119620-79250	COVER, BEARING	1					
6	2	119620-77421	FRAME ASSY, DRIVE	1					
7	3	119620-79200	BEARING, BALL	1					
8	3	119620-79210	PLATE, RETAINER	1					
9	3	119620-79220	SCREW	4					
10	3	119620-79230	STUD	2					
11	2	119620-77440	FRAME ASSY, REAR	1					
12	2	119620-77461	PULLEY, GENERATOR	1					
13	2	119620-77471	NUT	1					
14	2	119620-77490	COLLAR	1					
15	2	129423-77730	REGULATOR ASSY	1					
16	2	119620-79260	HOLDER ASSY	1					
17	2	129052-79270	HOLDER ASSY, BRUSH	1					
18	3	119620-77480	BRUSH ASSY, SUB	2					
19	3	119620-79280	SPRING	2					
20	2	119620-79290	SCREW	6					
21	2	119620-79300	SCREW	1					
22	2	129240-79300	COVER	1					
23	2	119620-79310	BOLT	3					
24	2	119620-79320	SCREW, W/WASHER	2					
25	2	119620-79330	BOLT	2					
26	2	119620-79340	BUSH, INSULATION	1					
27	2	119620-79350	NUT	2					
28	2	119620-79360	WASHER, THRUST	1					
29	1	26106-100452	BOLT, M10X 45 PLATED	1					
30	1	119125-77320	ADJUSTER, BELT	1					
31	1	124732-77340	SPACER, ADJUSTER	1					
32	1	129972-77341	BOLT, ADJUSTER L=50	1					
33	1	26106-080202	BOLT, M8X 20 PLATED	1					

Fig.17. ELECTRONIC CONTROL UNIT(ECU)



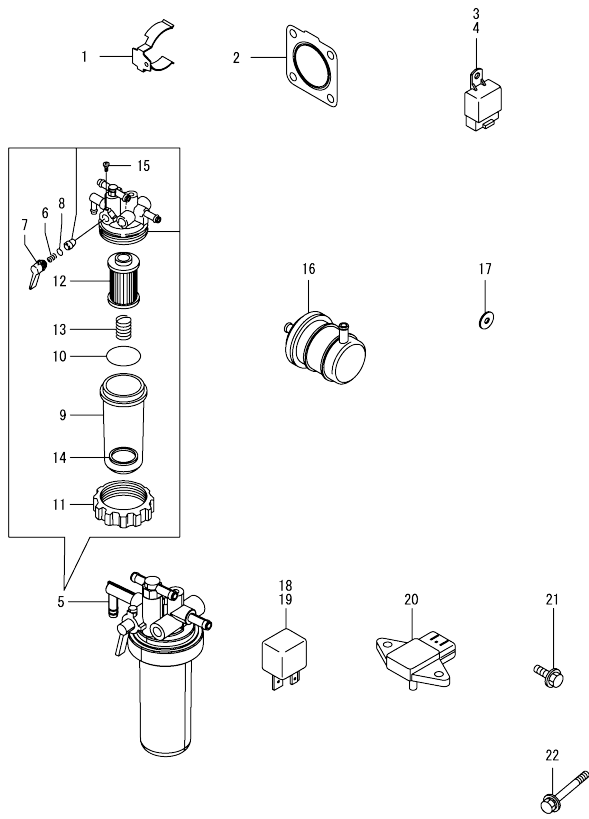
(A)=3TNV80F-ZXKLST
(B)=
(C)=

(D)=
(E)=
(F)=

No.	Lev.	Parts No.	Description	Q'ty						I	R
				(A)	(B)	(C)	(D)	(E)	(F)		
1	1	119E10-75000	ECU ASSY	1							1
11	2	129927-77600	SHIELD, ECU	1							
12	2	129927-77680	COLLAR, CONTROLLER	3							
13	2	119578-91351	RUBBER, CONTROLLER	3							
14	2	22877-500080	SCREW, 5X 8	6							
19	1	129927-75901	ECU ASSY, SERVICE	1							2
20	2	129927-77600	SHIELD, ECU	1							
21	2	129927-77680	COLLAR, CONTROLLER	3							
22	2	119578-91351	RUBBER, CONTROLLER	3							
23	2	22877-500080	SCREW, 5X 8	6							

Remarks
 (1)Eco ECU
 This part cannot be ordered.
 Replace the part using a Service ECU with the proper engine information installed.
 (2)Service ECU
 When replacing this part, it is necessary to update the software of the ECU using the designated service tool.
 Please refer to the Service Manual for details.

Fig.18. ACCESSORY



No.	Lev.	Parts No.	Description	Q'ty						I	R
				(A)	(B)	(C)	(D)	(E)	(F)		
1	1	198072-04320	CLAMP, FILTER	1							
2	1	119515-13200	GASKET, SILENCER	1							
3	1	172B02-17150	RELAY, CA TYPE C	1							Z
4		(A=E51440) 172B02-17150	RELAY, CA TYPE C	1							Z
5	1	119534-55602	FILTER ASSY, FUEL	1							
6	2	104200-55330	SPRING, FUEL VALVE	1							
7	2	119810-55340	LEVER, FUEL	1							
8	2	129053-55510	O-RING, P10A	1							
9	2	129107-55510	CUP, STRAINER	1							
10	2	129053-55520	O-RING, P44	1							
11	2	110250-55610	RING, CUP RETAINING	1							
12	2	129053-55670	ELEMENT, FO FILTER	1							
13	2	121257-55720	SPRING, ELEMENT	1							
14	2	121257-55731	FLOAT	1							
15	2	104200-55750	SCREW, M4	1							
16	1	129052-55630	FILTER, FUEL INLET	1							
17	1	129927-77690	WASHER, ECU	3							Z
18		(A=E51440) 129927-77920	RELAY, ISO 70A	1							Z
19		(A=E51440) 129927-77930	RELAY, ISO 40A	1							Z
20	1	129927-91200	SENSOR, PRESSURE	1							
21	1	26106-080252	BOLT, M8X 25 PLATED	3							Z
22		(A=E51440) 26014-080702	BOLT, M8X 70	1							W

Parts No. Index

Parts No.	Fig. No.	Ref. No.
101304-59020	14	2
103854-39140	14	1
104200-55330	18	6
104200-55750	18	15
105010-11490	4	3
105311-01090	1	4
105425-01690	3	12
	19	12
110250-55610	18	11
114250-39450	9	1
119125-77320	16	30
119131-18320	5	5
119226-07900	4	59
119285-01990	1	6
119285-11990	4	11
119305-35151	8	22
119515-13200	18	2
119534-55602	18	5
119578-91351	17	13
		22
119600-11460	4	2
119620-01620	3	5
	19	5
119620-02020	1	7
119620-11280	4	26
119620-14200	6	1
119620-59700	13	39
119620-77380	16	3
119620-77421	16	6
119620-77440	16	11
119620-77461	16	12
119620-77471	16	13
119620-77480	16	18
119620-77490	16	14
119620-79200	16	7
119620-79210	16	8
119620-79220	16	9
119620-79230	16	10
119620-79250	16	5
119620-79260	16	16
119620-79280	16	19
119620-79290	16	20
119620-79300	16	21
119620-79310	16	23
119620-79320	16	24
119620-79330	16	25
119620-79340	16	26
119620-79350	16	27
119620-79360	16	28
119621-21681	7	12

Parts No.	Fig. No.	Ref. No.
119623-01250	1	5
119624-32040	2	19
119660-01640	3	6
	19	6
119660-01911	2	18
119717-01570	2	2
119717-01720	3	10
	19	10
119717-01750	2	17
119717-01800	2	7
119717-02411	1	10
119717-02930	1	23
119717-03031	4	36
119717-03070	4	37
		38
119717-11131	4	15
119717-11190	4	17
119717-11200	4	21
119717-11240	4	22
119717-11260	4	25
119717-11331	4	50
119717-11340	4	18
119717-11350	4	19
119717-11650	4	27
119717-11800	4	63
119717-13110	5	2
119717-13600	5	3
119717-14400	6	2
119717-14581	6	3
119717-21200	7	4
119717-23200	7	27
119717-23601	7	28
119717-23611	7	31
119717-23911	7	30
119717-25050	6	9
119717-25101	6	10
119717-25911	6	21
119717-25930	6	15
119717-26000	6	17
119717-32050	2	20
119717-32060	8	19
119717-32080	2	10
119717-32100	2	9
119717-32110	2	14
119717-32120	2	15
119717-33010	8	1
119717-39210	9	2
119717-42020	10	1
119717-42350	10	23
119717-44740	10	25

Parts No.	Fig. No.	Ref. No.
119717-49800	10	30
119717-51150	6	16
119717-51420	11	67
119717-51711	11	92
119717-51750	11	93
119717-51761	11	94
119717-51860	11	108
119717-51930	12	2
119717-77801	4	61
119717-77820	4	62
119718-11310	4	45
119734-01780	3	11
	19	11
119734-11320	4	46
119734-11340	4	48
119734-11380	4	35
119734-35090	8	20
119740-01501	2	1
119740-59590	13	38
119744-59560	13	33
119751-01521	2	5
119751-01590	2	3
119751-42030	10	5
119751-49310	10	14
119802-03100	4	39
119802-03110	4	40
119802-03121	4	41
119802-03131	4	42
119802-03141	4	43
119802-32130	2	16
119802-59580	4	51
119810-01200	1	26
119810-02941	1	34
119810-55340	18	7
119813-59950	13	40
119940-59130	8	13
119C10-21650	7	11
119C10-21931	7	13
119C10-21940	7	14
119C10-42320	10	12
119C10-53000	13	1
119C10-53010	13	3
119E10-01330	1	27
119E10-01570	1	1
119E10-01610	3	2
119E10-01611	19	2
119E10-11100	4	13
119E10-11110	4	14
119E10-11750	4	4
119E10-13110	5	1

Parts No.	Fig. No.	Ref. No.
119E10-21560	7	8
119E10-21700	7	1
119E10-22300	7	22
119E10-22500	7	18
119E10-22550	7	34
119E10-23001	7	24
119E10-34800	8	16
119E10-42050	10	2
119E10-44760	10	26
119E10-59810	13	20
119E10-59820	13	24
119E10-59830	13	28
119E10-75000	17	1
119E11-22080	7	16
119E11-22900	7	33
119E11-35140	8	4
119E11-39410	9	7
119E11-39440	12	5
119E11-39660	9	13
119E11-49010	8	6
119E11-49350	10	15
119E11-51200	11	129
119E11-59510	13	32
121023-01551	2	42
121111-21501	7	7
121257-55720	18	13
121257-55731	18	14
121520-34810	8	17
121850-51960	2	21
121851-11970	10	3
122710-51090	11	8
123501-79240	16	4
124060-01050	1	11
124066-59100	13	34
124085-02220	3	8
	19	8
124160-01751	2	29
	4	34
124160-01910	1	12
124240-01871	2	31
		35
124465-44950	10	13
124732-77340	16	31
129001-32320	2	12
129001-32330	2	13
129005-59830	9	3
129006-44480	8	5
129052-55630	18	16
129052-79270	16	17
129053-55510	18	8

Parts No. Index

Parts No.	Fig. No.	Ref. No.
129053-55520	18	10
129053-55670	18	12
129100-01580	3	1
	7	2
	19	1
129100-52101	11	112
129107-55510	18	9
129129-77010	15	1
129129-77210	15	6
129129-77220	15	7
129129-77230	15	8
129129-77240	15	9
129129-77250	15	10
129129-77260	15	21
129129-77270	15	22
129129-77280	15	23
129129-77290	15	24
129129-77300	15	25
129129-77310	15	27
129129-77320	15	28
129129-77330	15	29
129129-77340	15	30
129129-77350	15	31
129129-77362	15	32
129129-77380	15	34
129129-77390	15	14
129129-77400	15	17
129129-77410	15	18
129129-77420	15	19
129129-77430	15	20
129129-77460	15	3
129150-11230	4	28
129150-11750	4	30
129150-25301	6	14
129150-59120	13	15
129150-59131	13	18
129155-51020	11	4
129155-51280	11	57
		58
129155-51400	11	65
129155-51580	11	89
129155-51701	11	91
129155-52051	11	111
129240-79300	16	22
129240-79310	16	2
129350-21600	7	10
129350-26490	6	19
129350-49530	10	29
129407-77010	15	1 -1
129407-77210	15	6 -1

Parts No.	Fig. No.	Ref. No.
129407-77220	15	7 -1
129407-77250	15	10 -1
129407-77280	15	23 -1
129407-77300	15	25 -1
129407-77310	15	27 -1
129407-77330	15	29 -1
129407-77390	15	14 -1
129407-77410	15	13 -1
129417-33111	8	3
129423-77210	16	1
129423-77730	16	15
129508-11180	4	16
129508-33050	8	2
129508-49040	8	10
129900-32130	2	11
129901-11450	4	1
129901-53800	13	4
129901-59560	13	37
129927-44900	10	32
129927-75901	17	19
129927-77600	17	11
		20
129927-77680	17	12
		21
129927-77690	18	17
129927-77920	18	18
129927-77930	18	19
129927-91200	18	20
129972-77341	16	32
129974-49350	10	16
129C26-01890	2	32
		36
129E00-13610	5	4
158557-61720	12	20
158600-51270	11	56
158600-51410	11	66
158600-51420	11	68
158600-51570	11	88
158600-51790	11	95
171008-03990	8	7
		11
171056-49120	8	15
172B02-17150	18	3
		4
198072-04320	18	1
22190-080002	2	33
		37
		9
		4
		6
22190-100002	12	34

Parts No.	Fig. No.	Ref. No.
22190-120002	10	33
	12	22
	13	46
	14	3
22190-160002	3	14
	11	97
	19	14
	11	98
22217-120000	11	98
22242-000120	4	31
22252-000220	7	23
22351-050010	11	99
22351-060012	4	20
22512-040120	7	5
		15
22857-500100	4	52
		53
22857-500160	4	54
22877-500080	17	14
		23
23080-015000	8	9
		14
23414-080000	10	17
		20
23857-030000	9	5
23876-005000	4	12
23876-030000	2	6
24101-062024	2	8
24104-060054	6	20
24311-000320	2	30
		4
24341-000240	2	43
25152-003700	10	24
26014-080702	18	22
26022-050122	11	103
26106-060102	8	21
26106-060122	2	22
		6
		8
		10
		27
26106-060162	2	23
		44
		12
		29
26106-060202	4	56
		12
		35
26106-060222	3	9
		19
		9
26106-060252	10	28
26106-060352	6	13
26106-060402	2	24
		25
		25
26106-060602	2	26

Parts No.	Fig. No.	Ref. No.
26106-060652	2	27
26106-060752	4	57
26106-060852	4	58
26106-080122	2	34
	3	15
	10	18
		21
	19	15
26106-080142	2	38
	11	130
26106-080162	4	60
26106-080202	10	31
	11	131
	16	33
26106-080252	18	21
26106-080302	3	16
	19	16
26106-080402	4	33
26106-080452	3	17
	19	17
26106-080502	3	18
	10	22
	19	18
26106-080702	2	39
26106-100452	16	29
26206-100202	3	3
	19	3
26206-100252	3	4
	19	4
26216-080222	4	49
26306-080002	2	28
		40
		41
	5	6
26577-060122	10	19
26716-120002	11	105
26979-050162	4	32
27241-120000	1	13
719717-02901	1	28
719717-02911	1	31
719751-01500	2	4
719E10-51390	11	1
X0280210230	15	11
X0283060061	15	2
X0283270140	15	12
X9490561370	15	4
X9491200240	15	5
X9491703371	15	13
X9491730461	15	26