

0CW10-M29000EN

# PREFACE

1. This parts catalog is the 1st edition of 3TNV84T-BXNK for Neuson Kramer

Pub.No. : 000Y00W2900

Published : December,2007

2. Model name

Engine model	Vehicle	Vehicle made by
	Products	
3TNV84T-BXNK	Loader	Neuson Kramer

## Directions for the Parts Catalog.

1. This Parts Catalog shows both standard and optional parts.
2. Parts may change without prior notice.
3. The following is an example of the Parts Catalog format.

REF.	LEV.	PARTS NO.	DESCRIPTION	Q'TY						I	R
				(A)	(B)	(C)	(D)	(E)	(F)		
1	1	729595-51390	FUEL INJECTION PUMP	1	1	1	1	1			1
1-1	1	729595-51391	FUEL INJECTION PUMP	1	1	1	1	1		N	1
		(A=E00185) (B=E00200)									
3	2	26022-060162	SCREW M 6X 16	9	9	9	9	9			
3-1	2	26022-060162	SCREW M 6X 16	4	4	4	4	4		K	
		(A=E00156) (B=E00156) (C=E00156) (D=E00156) (E=E00156)									
4	2	129470-51040	CAMSHAFT	1	1	1	1	1			
5	2	122710-51050	BEARING, ROLLER	2	2	2	2	2			
6	2	129470-51060	RETAINER	1	1	1	1	1			

Remarks
(1) BOOST COMPEMSATOR TYPE. OPTIONAL PART, TO E00155,(4JH-DT, 4JH-DTZ

### ① Ref. No.

The Ref. No. listed may not be in accordance with the illustration Ref. No.

(Ex.) Illustration No.

List Ref No.

1 1 (Before change) → 1-1 (After change)

For interchangeable symbols N, R and K, illustrations for new parts may be abbreviated.

### ② Lev. (Level)

Level indication

The numbers below indicate the level of relativity towards the main part.

1 ---- Main parts (Assembly parts)

2 ---- Sub component included in " 1 ".

3 ---- Sub component included in " 2 ".

Note) Parts that are not for sale are partially illustrated but not listed.

### ③ Interchangeability Symbol

When a part change takes place, one of the following interchangeability symbols is indicated beside the part.

Symbol	Interchangeability	Contents note
N	Old $\begin{matrix} \leftarrow \text{Yes} \\ \text{No} \rightarrow \end{matrix}$ New	New Part is interchangeable for Old Part but Old Part is not interchangeable for New Part.
Q	Old $\begin{matrix} \leftarrow \text{No} \\ \text{Yes} \rightarrow \end{matrix}$ New	New Part is not interchangeable for Old Part but Old Part is interchangeable for New Part.
R	Old $\begin{matrix} \leftarrow \text{Yes} \\ \text{Yes} \rightarrow \end{matrix}$ New	New/ Old Parts are both interchangeable.
S	Old $\begin{matrix} \leftarrow \text{No} \\ \text{No} \rightarrow \end{matrix}$ New	New/ Old Parts are both not interchangeable.
W		Part newly added.
Z		Part discontinued.
F		Not interchangeable by a single part but interchangeable together with related parts.
K		Changes only for used parts quantities.

### ④ Effective Machine No.

When a part changes, the effective Machine No. will be indicated in the (A)-(F) column.

Product Symbol	Product No.	Product Symbol	Product No.
C	Clutch No. Compressor No.	F	Machine No. (Agricultural Equip.)
D	Drive No.	M	Machine No.
E	Engine No.		

Note 1) A date may follow the symbol. (Ex.) 1996.01

Note 2) "XXXXX" and "ZZZZZ" are for parts that could not be predicted or for engine models that could not be identified.

Note 3) (A=E00185) is the E (Engine Serial Number) for the column (A) model (in this case 4JH-DT) after the parts design change.

### ⑤ Remarks

Figures or alphabets (symbols) are entered in the remarks column.

The comments (remarks) on parts that are indicated at the bottom of the illustration are the same symbols as those stated above.

## Contents

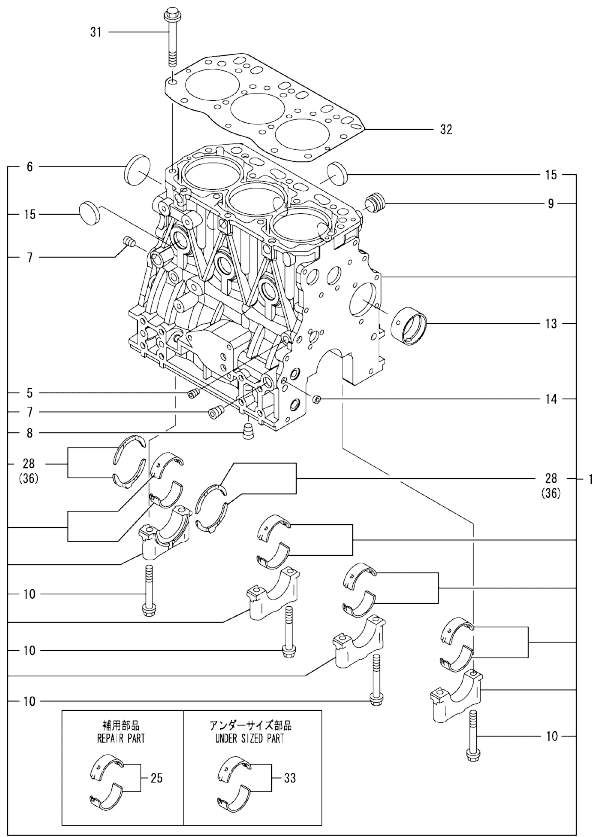
0CW10-M29000

Fig. No.	Fig. Name	Fig. No.	Fig. Name
3TNV84T-BXNK			
1.	CYLINDER BLOCK		
2.	GEAR HOUSING		
3.	FLYWHEEL HOUSING & OIL SUMP		
4.	CYLINDER HEAD & BONNET		
5.	SUCTION MANIFOLD		
6.	EXHAUST MANIFOLD		
7.	CAMSHAFT & DRIVING GEAR		
8.	TURBINE		
9.	CRANKSHAFT & PISTON		
10.	LUB.OIL SYSTEM		
11.	LUB.OIL LINE		
12.	COOLING WATER SYSTEM		
13.	FUEL INJECTION PUMP		
14.	GOVERNOR		
15.	FUEL INJECTION VALVE		
16.	FUEL LINE		
17.	STARTING MOTOR		
18.	GENERATOR		
19.	GASKET SET		

Fig.1. CYLINDER BLOCK

(A)=3TNV84T-BXNK  
(B)=  
(C)=

(D)=  
(E)=  
(F)=



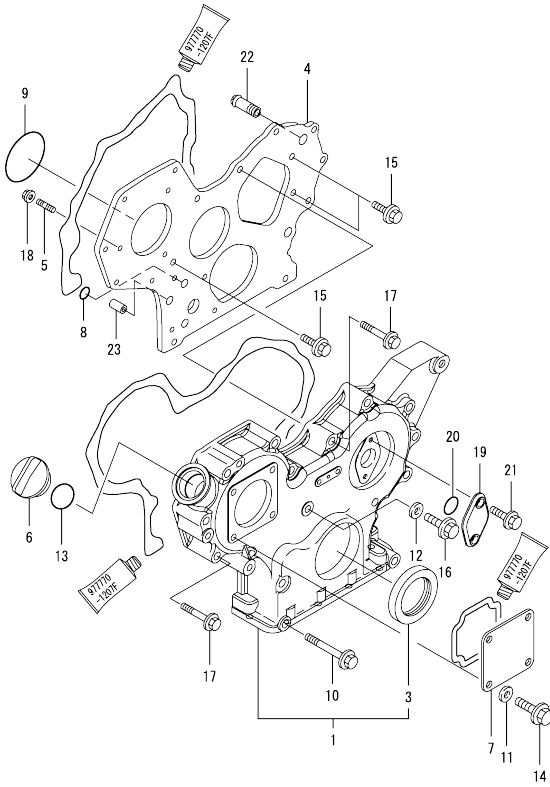
No.	Lev.	Parts No.	Description	Q'ty						I	R
				(A)	(B)	(C)	(D)	(E)	(F)		
1	1	729006-01560	BLOCK ASSY, CYLINDER	1							
5	2	124060-01050	PLUG, PT1/8	1							
6	2	129001-01250	PLUG, 50	1							
7	2	124160-01910	PLUG, PT1/4	2							
8	2	124160-01910	PLUG, PT1/4	1							
9	2	171051-01921	PLUG, NPTF1	1							
10	2	129150-02020	BOLT, METAL CAP	8							
13	2	129795-02412	BUSH, CAMSHAFT	1							
14	2	27241-120000	PLUG, 12	2							
15	2	27241-300000	PLUG 30	6							
25	2	129001-02931	BEARING, MAIN	4							3
28	2	129150-02931	BEARING, THRUST	2							
31	1	129150-01200	BOLT, HEAD	14							
32	1	129002-01331	GASKET, HEAD	1							
33	1	129150-02871	BEARING, 0.25 US	4							1
36	1	129150-02941	BEARING, THRUST 0.25	1							2

Remarks  
 (1) UNDER-SIZE(U.S=0.25)PART.  
 (2) OVER-SIZE(O.S=0.25)PART.  
 (3) REPAIR PART.

Fig.2. GEAR HOUSING

(A)=3TNV84T-BXNK  
(B)=  
(C)=

(D)=  
(E)=  
(F)=

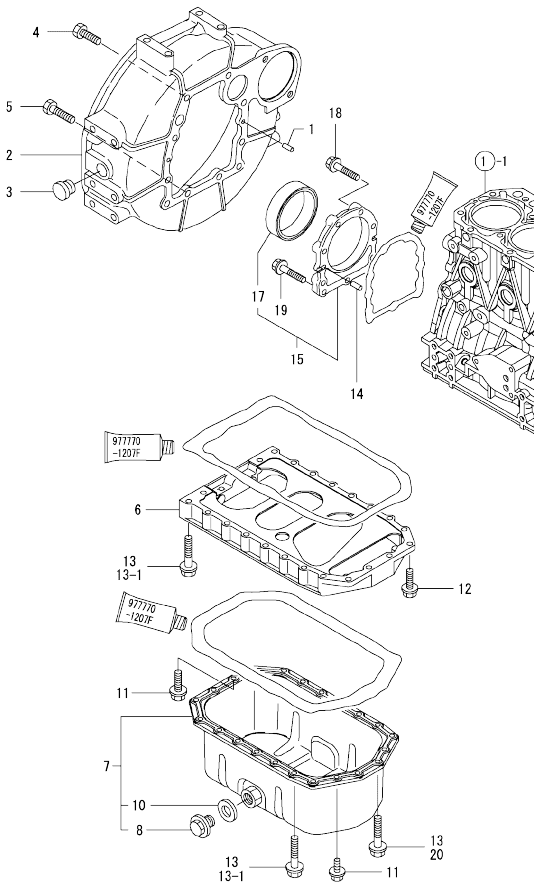


No.	Lev.	Parts No.	Description	Q'ty					
				(A)	(B)	(C)	(D)	(E)	(F)
1	1	719803-01500	CASE ASSY, GEAR	1					
3	2	119934-01800	SEAL, OIL	1					
4	1	129009-01520	FLANGE, GEAR CASE	1					
5	1	119802-01561	STUD, M8X25	3					
6	1	124160-01751	COVER, FILLER	1					
7	1	124240-01871	COVER	1					
8	1	119609-32040	O-RING, P16	2					
9	1	121850-51960	O-RING	1					
10	1	129001-91841	BOLT, M8X85	3					
11	1	22190-080002	WASHER, SEAL 6	4					
12	1	22190-080002	WASHER, SEAL 6	1					
13	1	24311-000320	O-RING, 1AP32.0	1					
14	1	26106-080162	BOLT, M8X 16 PLATED	4					
15	1	26106-080162	BOLT, M8X 16 PLATED	3					
16	1	26106-080302	BOLT, M8X 30 PLATED	1					
17	1	26106-080552	BOLT, M8X 55 PLATED	12					
18	1	26306-080002	NUT, M8	3					
19	1	121023-01551	COVER	1					
20	1	24341-000240	O-RING, 1AS24.0	1					
21	1	26106-060162	BOLT, M6X 16 PLATED	2					
22	1	129122-44480	JOINT	1					
23	1	129795-01950	PIPE, KNOCK L=18	2					

Fig.3. FLYWHEEL HOUSING & OIL SUMP

(A)=3TNV84T-BXNK  
(B)=  
(C)=

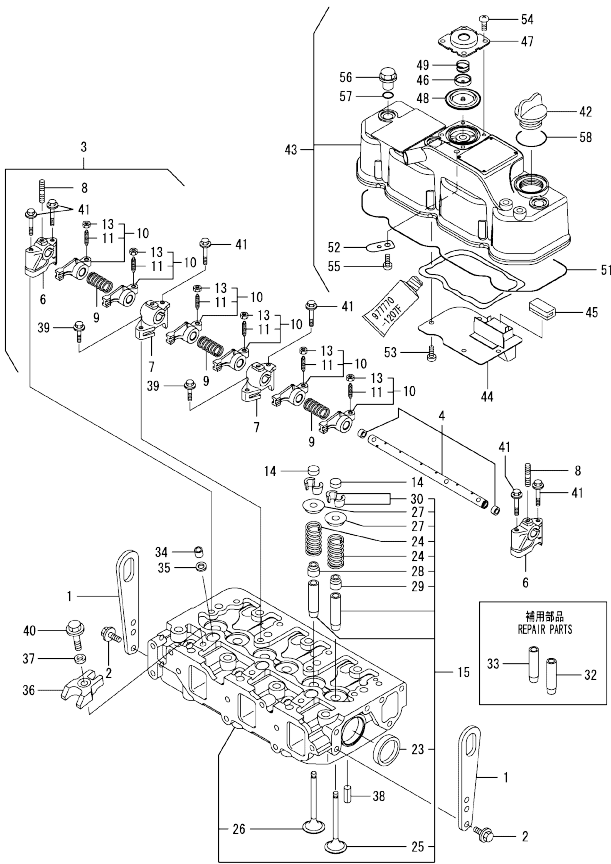
(D)=  
(E)=  
(F)=



No.	Lev.	Parts No.	Description	Q'ty						I	R
				(A)	(B)	(C)	(D)	(E)	(F)		
1	1	129100-01580	PIN, M8X16	2							
2	1	129612-01600	HOUSING, FLYWHEEL	1							
3	1	119620-01750	CAP	1							
4	1	26206-100252	BOLT, M10X 25 PLATED	6							
5	1	26206-100302	BOLT, M10X 30 PLATED	4							
6	1	129100-01730	SPACER, OIL SUMP	1							
7	1	129100-01760	SUMP ASSY, OIL	1							
8	2	119640-01640	PLUG, DRAIN M22	1							
10	2	22190-220002	WASHER, SEAL 22	1							
11	1	26106-080162	BOLT, M8X 16 PLATED	4							
12	1	26106-080252	BOLT, M8X 25 PLATED	2							
13	1	26106-080452	BOLT, M8X 45 PLATED	20							
13-1	1	26106-080452	BOLT, M8X 45 PLATED	16							K
(A=FROM 1ST)											
14	1	129100-01580	PIN, M8X16	2							
15	1	129100-01640	CASE ASSY, OIL SEAL	1							
17	2	129795-01780	SEAL, OIL	1							
18	1	129486-01670	BOLT, M8X30	6							
19	1	26106-080352	BOLT, M8X 35 PLATED	3							
20	1	26106-080502	BOLT, M8X 50 PLATED	4							W
(A=FROM 1ST)											

N:Old  $\frac{100}{100}$  New, Q:Old  $\frac{100}{100}$  New, R:Old  $\frac{100}{100}$  New, S:Old  $\frac{100}{100}$  New, W:Add, Z:Discontinued, F:Interchangeable by set, K:Q'ty Change  
Copyright (C) YANMAR CO., LTD. All Rights Reserved.

Fig.4. CYLINDER HEAD & BONNET



(A)=3TNV84T-BXNK  
(B)=  
(C)=

(D)=  
(E)=  
(F)=

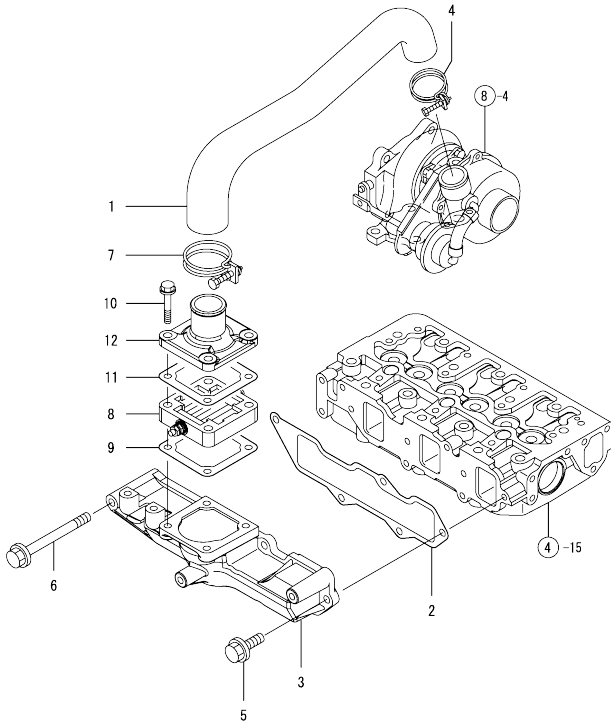
No.	Lev.	Parts No.	Description	Q'ty						I	R
				(A)	(B)	(C)	(D)	(E)	(F)		
1	1	129900-07900	LIFTER	2							
2	1	26106-080162	BOLT, M8X 16 PLATED	4							
3	1	129004-11241	SHAFT ASSY, ROCKER	1							
4	2	129004-11251	SHAFT, ROCKER ARM	1							
6	2	119802-11260	SUPPORT, ROCKER ARM	2							
7	2	119802-11270	SUPPORT, ROCKER ARM	2							
8	2	119802-11280	STUD	3							
9	2	129150-11280	SPRING	3							
10	2	129004-11650	ARM, ROCKER	6							
11	3	129150-11230	SCREW, VALVE ADJUST	6							
13	3	129150-11750	NUT, M8	6							
14	1	129150-11370	CAP, VALVE	6							
15	1	129009-11710	HEAD ASSY, CYLINDER	1							
23	2	27241-400000	PLUG, 40	2							
24	2	129795-11120	SPRING, VALVE	6							
25	2	129004-11130	VALVE, INTAKE	3							
26	2	129100-11130	VALVE, EXHAUST	3							
27	2	129795-11180	RETAINER, SPRING	6							
28	2	121400-11340	SEAL, VALVE STEM	3							
29	2	124460-11340	SEAL, VALVE STEM	3							
30	2	27310-080001	COTTER, 8	6							
32	1	120130-11860	GUIDE, VALVE	3							1
33	1	129150-11810	GUIDE, VALVE	3							1
34	1	119802-11870	PROTECTOR, NOZZLE	3							
35	1	119625-11880	SEAT, NOZZLE	3							
36	1	129004-11900	RETAINER, NOZZLE	3							
37	1	120270-54410	WASHER, INJECTOR	3							
38	1	22351-060012	PIN, SPRING 6.0X12	2							
39	1	26106-080252	BOLT, M8X 25 PLATED	2							
40	1	26106-080352	BOLT, M8X 35 PLATED	3							
41	1	26106-080502	BOLT, M8X 50 PLATED	6							
42	1	124160-01751	COVER, FILLER	1							
43	1	129009-11350	BONNET ASSY, HEAD	1							
44	2	129004-03010	PLATE	1							
45	2	129150-03070	BAFFLE, BREATHER	1							
46	2	119802-03110	PLATE	1							
47	2	119802-03121	COVER, DIAPHRAGM	1							
48	2	119802-03130	DIAPHRAGM	1							
49	2	119802-03141	SPRING, DIAPHRAGM	1							
51	2	129004-11310	GASKET, BONNET	1							
52	2	129009-11340	SPRING	1							
53	2	22857-500100	SCREW, 5X10	4							
54	2	22857-500100	SCREW, 5X10	4							
55	2	22857-500100	SCREW, 5X10	1							
56	1	124160-11360	KNOB	3							
57	1	24311-000120	O-RING, 1AP12.0	3							
58	1	24311-000320	O-RING, 1AP32.0	1							

Remarks  
(1) REPAIR PART.

N:Old  $\frac{100}{100}$  New, Q:Old  $\frac{100}{100}$  New, R:Old  $\frac{100}{100}$  New, S:Old  $\frac{100}{100}$  New, W:Add, Z:Discontinued, F:Interchangeable by set, K:Q'ty Change  
Copyright (C) YANMAR CO., LTD. All Rights Reserved.



Fig.5. SUCTION MANIFOLD



(A)=3TNV84T-BXNK  
(B)=  
(C)=

(D)=  
(E)=  
(F)=

No.	Lev.	Parts No.	Description	Q'ty						I	R
				(A)	(B)	(C)	(D)	(E)	(F)		
1	1	129072-12010	PIPE, AIR INTAKE	1							
2	1	129001-12110	GASKET, MANIFOLD	1							
3	1	129006-12110	MANIFOLD, AIR INTAKE	1							
4	1	23000-041000	CLAMP, 41	1							
5	1	26106-080202	BOLT, M8X 20 PLATED	4							
6	1	26106-080802	BOLT, M8X 80 PLATED	1							
7	1	23000-060000	CLAMP, 60	1							
8	1	129100-77501	HEATER	1							
9	1	129150-77511	GASKET	1							
10	1	26106-080402	BOLT, M8X 40 PLATED	4							
11	1	129100-77510	GASKET, AIR HEATER	1							
12	1	129165-77520	BEND, AIR HEATER	1							

Fig.6. EXHAUST MANIFOLD

(A)=3TNV84T-BXNK  
(B)=  
(C)=

(D)=  
(E)=  
(F)=

No.	Lev.	Parts No.	Description	Q'ty					
				(A)	(B)	(C)	(D)	(E)	(F)
1	1	129103-13100	MANIFOLD, EXHAUST	1					
2	1	129150-13110	GASKET	1					
3	1	119802-13620	BOLT, M8X50	2					
4	1	119802-13640	BOLT, M8X60 10.9T	4					
5	1	119131-18320	STUD, M8X22	3					

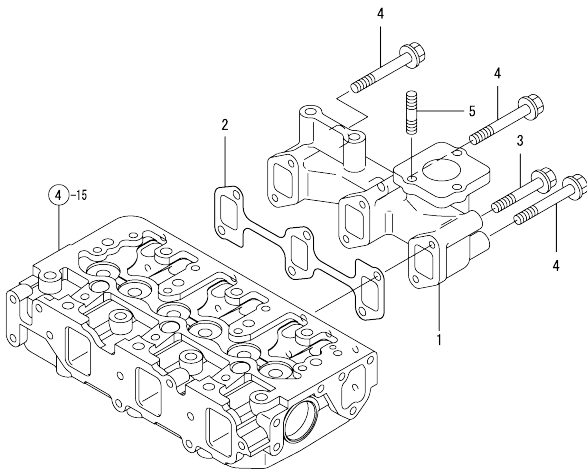
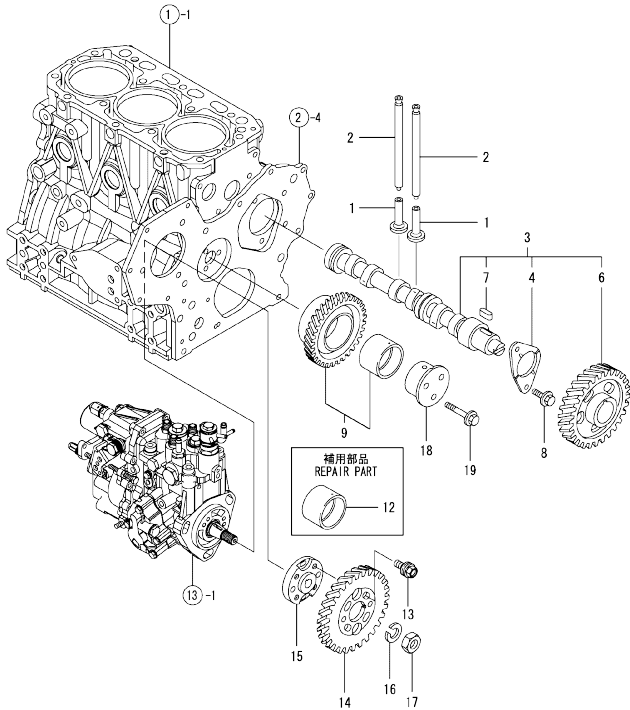


Fig.7. CAMSHAFT & DRIVING GEAR



(A)=3TNV84T-BXNK  
(B)=  
(C)=

(D)=  
(E)=  
(F)=

No.	Lev.	Parts No.	Description	Q'ty						I	R
				(A)	(B)	(C)	(D)	(E)	(F)		
1	1	129150-14200	TAPPET	6							
2	1	129150-14400	ROD, PUSH L=178	6							
3	1	129129-14580	CAMSHAFT ASSY	1							
4	2	129150-02450	BEARING, THRUST	1							
6	2	129150-14101	GEAR, CAMSHAFT	1							
7	2	22512-070140	KEY, 7X 14	1							
8	1	26106-080142	BOLT, M8X 14 PLATED	2							
9	1	119802-25101	GEAR ASSY, IDLE	1							
12	1	119802-25071	BUSH, IDLE GEAR	1							1
13	1	129150-25301	BOLT	4							
14	1	119802-25901	GEAR, PUMP	1							
15	1	158552-51151	FLANGE	1							
16	1	22217-140000	WASHER, SPRING 14	1							
17	1	26776-140002	NUT, LOCK M14	1							
18	1	119803-25050	SHAFT, IDLE	1							
19	1	26106-080402	BOLT, M8X 40 PLATED	3							

Remarks  
(1) REPAIR PART.

N:Old  $\frac{100}{100}$  New, Q:Old  $\frac{100}{100}$  New, R:Old  $\frac{100}{100}$  New, S:Old  $\frac{100}{100}$  New, W:Add, Z:Discontinued, F:Interchangeable by set, K:Q'ty Change  
Copyright (C) YANMAR CO., LTD. All Rights Reserved.

Fig.8. TURBINE

(A)=3TNV84T-BXNK  
(B)=  
(C)=

(D)=  
(E)=  
(F)=

No.	Lev.	Parts No.	Description	Q'ty					
				(A)	(B)	(C)	(D)	(E)	(F)
1	1	129535-18100	GASKET	1					
2	1	129418-18320	STUD, M8X20	4					
3	1	26306-080002	NUT, M8	3					
4	1	129080-18011	TURBINE, RHB31	1					
5	1	129403-18091	GASKET	1					

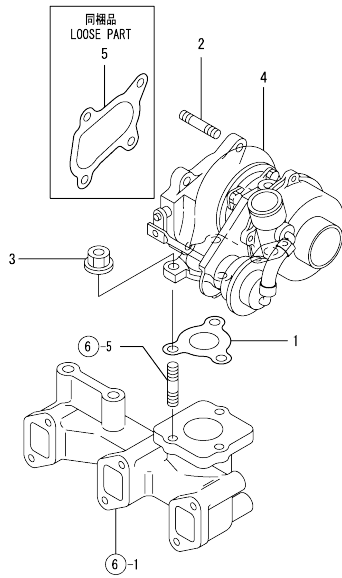
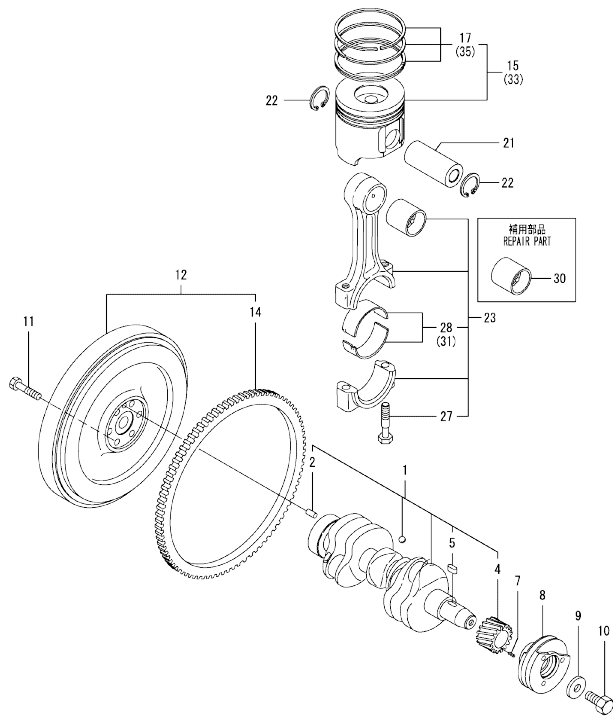


Fig.9. CRANKSHAFT & PISTON



(A)=3TNV84T-BXNK  
(B)=  
(C)=

(D)=  
(E)=  
(F)=

No.	Lev.	Parts No.	Description	Q'ty						I	R
				(A)	(B)	(C)	(D)	(E)	(F)		
1	1	129008-21000	CRANKSHAFT ASSY	1							
2	2	129100-01580	PIN, M8X16	1							
4	2	119803-21200	GEAR, CRANKSHAFT	1							
5	2	22512-070140	KEY, 7X 14	1							
7	1	22351-030010	PIN, SPRING 3.0X10	1							
8	1	129004-21650	V-PULLEY, 110	1							
9	1	129795-21661	WASHER	1							
10	1	121850-21680	BOLT	1							
11	1	121111-21501	BOLT, FLYWHEEL	6							
12	1	129030-21590	FLYWHEEL ASSY	1							
14	2	119865-21600	GEAR, RING	1							
15	1	129007-22080	PISTON ASSY	3							
17	2	129007-22500	RING SET, PISTON	3							
21	1	129202-22300	PIN, PISTON D26 L70	3							
22	1	22252-000260	RING, 26	6							
23	1	729402-23100	ROD ASSY, CONNECTING	3							
27	2	121550-23200	BOLT, CONNECTING ROD	6							
28	2	129150-23601	BEARING, CRANK PIN	3							
30	1	129100-23910	BEARING, PISTON PIN	3							1
31	1	129150-23611	BEARING, 0.25 US	3							2
33	1	129007-22900	PISTON ASSY, 0.25 OS	3							3
35	2	129007-22950	RING SET, 0.25 OS	3							3

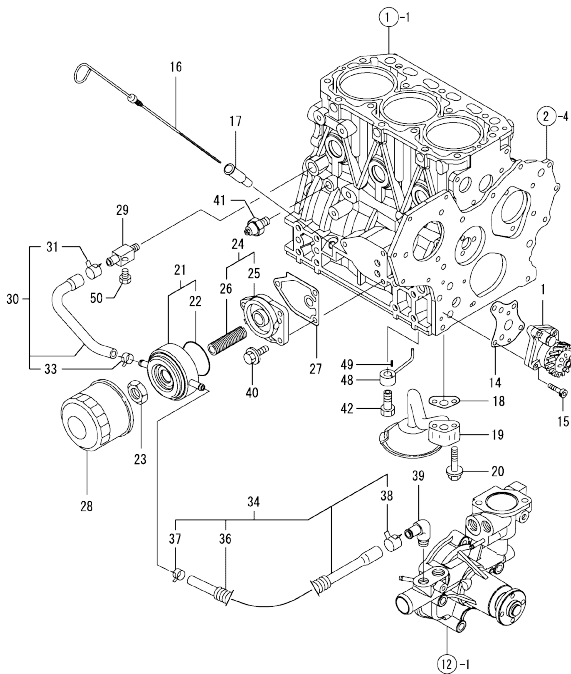
Remarks

- (1) REPAIR PART.
- (2) UNDER-SIZE(U.S=0.25)PART.
- (3) OVER-SIZE(O.S=0.25)PART.

Fig.10. LUB.OIL SYSTEM

(A)=3TNV84T-BXNK  
(B)=  
(C)=

(D)=  
(E)=  
(F)=

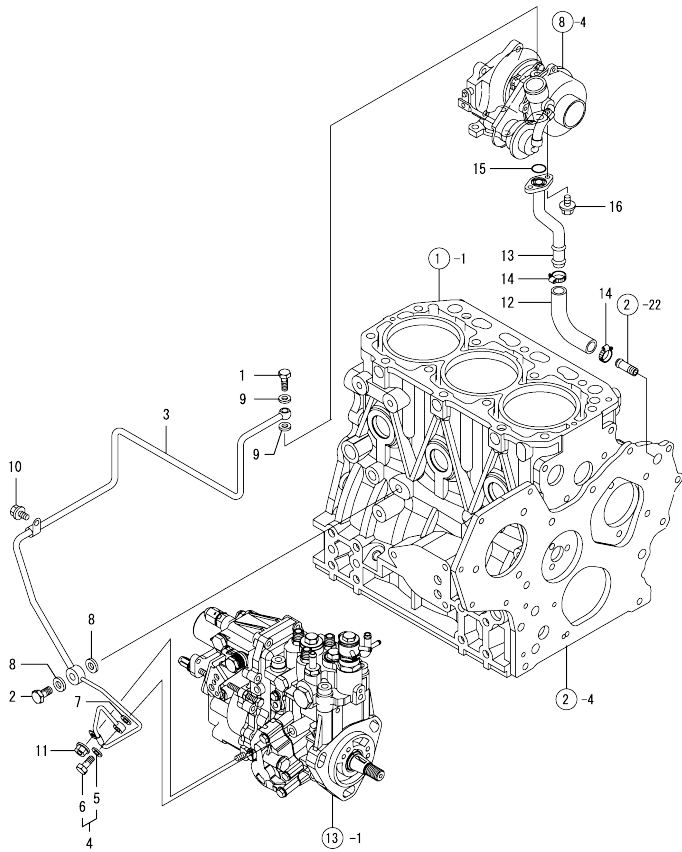


No.	Lev.	Parts No.	Description	Q'ty						I	R
				(A)	(B)	(C)	(D)	(E)	(F)		
1	1	129418-32000	PUMP ASSY, OIL	1							
14	1	129150-32020	GASKET, PUMP	1							
15	1	26450-060252	BOLT, M6X 25	4							
16	1	129004-34802	DIPSTICK, OIL	1							
17	1	121520-34810	GUIDE, DIPSTICK	1							
18	1	129150-35042	GASKET	1							
19	1	129100-35301	PIPE ASSY, OIL INLET	1							
20	1	26106-080352	BOLT, M8X 35 PLATED	2							
21	1	129508-33010	COOLER ASSY, OIL	1							
22	2	129508-33050	O-RING	1							
23	1	129417-33110	NUT	1							
24	1	129006-35100	BRACKET ASSY, FILTER	1							
25	2	119802-35110	BRACKET, FILTER	1							
26	2	129417-35150	STUD, L=67	1							
27	1	129150-35111	GASKET	1							
28	1	129150-35153	FILTER 80X80L	1							1
29	1	129006-44480	JOINT	1							
30	1	129508-49030	PIPE ASSY, WATER	1							
31	2	171008-03990	CLIP, HOSE 18.5	1							
33	2	23080-015000	CLAMP, 15	1							
34	1	129006-49040	PIPE ASSY, WATER	1							
36	2	129642-49180	TUBE, CORRUGATED	1							
37	2	23080-015000	CLAMP, 15	1							
38	2	171008-03990	CLIP, HOSE 18.5	1							
39	1	129103-49301	ELBOW, PT1/4	1							
40	1	26106-080202	BOLT, M8X 20 PLATED	3							
41	1	121252-39450	SWITCH, 0.5KG	1							
42	1	129792-39410	VALVE ASSY, CHECK	3							
48	1	129553-39650	NOZZLE	3							
49	1	22351-030010	PIN, SPRING 3.0X10	3							
50	1	171056-49120	PLUG, DRAIN	1							

Remarks  
(1) REPAIR PART.

N:Old  $\frac{100}{100}$  New, Q:Old  $\frac{100}{100}$  New, R:Old  $\frac{100}{100}$  New, S:Old  $\frac{100}{100}$  New, W:Add, Z:Discontinued, F:Interchangeable by set, K:Qty Change  
Copyright (C) YANMAR CO., LTD. All Rights Reserved.

Fig.11. LUB.OIL LINE



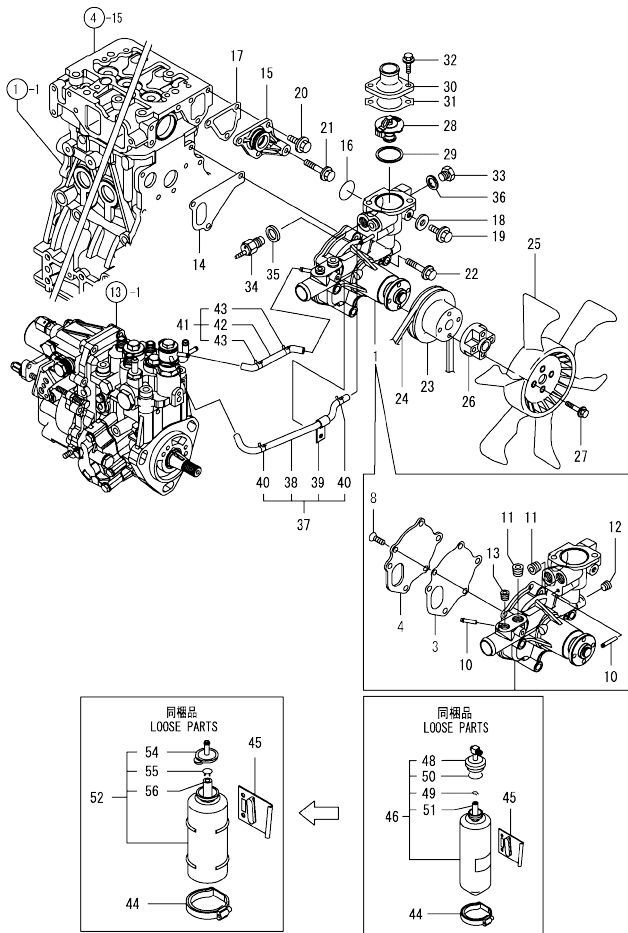
(A)=3TNV84T-BXNK  
(B)=  
(C)=

(D)=  
(E)=  
(F)=

No.	Lev.	Parts No.	Description	Q'ty						I	R
				(A)	(B)	(C)	(D)	(E)	(F)		
1	1	105010-39140	BOLT, PIPE JOINT	1							
2	1	124160-39140	BOLT, PIPE JOINT M10	1							
3	1	129033-39450	PIPE ASSY, OIL	1							
4	1	129005-59830	BOLT ASSY, JOINT M8	1							
5	2	22190-080002	WASHER, SEAL 6	1							
6	2	23857-030000	BOLT, JOINT 3	1							
7	1	22190-080002	WASHER, SEAL 6	1							
8	1	22190-100002	WASHER, SEAL 10	2							
9	1	23414-080000	GASKET, 8X1.0	2							
10	1	26106-080122	BOLT, M8X 12 PLATED	1							
11	1	26366-060002	NUT, M6	1							
12	1	129266-39620	JOINT, PIPE	1							
13	1	129033-39600	PIPE, OIL	1							
14	1	23000-022000	CLAMP, 22	2							
15	1	24316-000160	O-RING, 4DP16.0	1							
16	1	26106-060162	BOLT, M6X 16 PLATED	2							

N:Old  $\frac{100}{100}$  New, Q:Old  $\frac{100}{100}$  New, R:Old  $\frac{100}{100}$  New, S:Old  $\frac{100}{100}$  New, W:Add, Z:Discontinued, F:Interchangeable by set, K:Q'ty Change  
Copyright (C) YANMAR CO., LTD. All Rights Reserved.

Fig.12. COOLING WATER SYSTEM

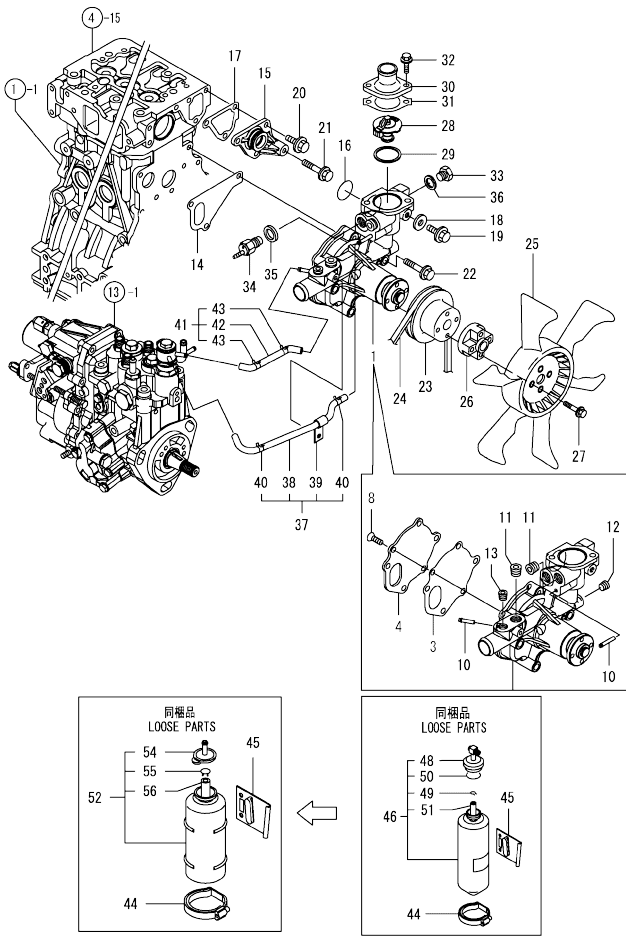


No.	Lev.	Parts No.	Description	Q'ty						I	R
				(A)	(B)	(C)	(D)	(E)	(F)		
1	1	129004-42001	PUMP ASSY, WATER	1							
3	2	129100-42051	GASKET, WATER PUMP	1							
4	2	129100-42121	PLATE, PUMP	1							
8	2	121850-42410	SCREW	3							
10	2	119802-49113	JOINT, PIPE	2							
11	2	129916-49740	PLUG, R3/8	2							
12	2	23876-010000	PLUG, R01	1							
13	2	23876-020000	PLUG, R02	1							
14	1	129486-42021	GASKET, WATER PUMP	1							
15	1	129004-42040	JOINT	1							
16	1	129486-42140	O-RING, G30	1							
17	1	124395-49840	GASKET, THERMOSTAT	1							
18	1	23414-080000	GASKET, 8X1.0	1							
19	1	26106-080122	BOLT, M8X 12 PLATED	1							
20	1	26106-080162	BOLT, M8X 16 PLATED	3							
21	1	26106-080452	BOLT, M8X 45 PLATED	1							
22	1	26106-080602	BOLT, M8X 60 PLATED	3							
23	1	129556-42350	V-PULLEY, 96	1							
24	1	129612-42290	V-BELT, A37.5	1							
25	1	129612-44700	FAN, COOLING	1							
26	1	121267-44760	SPACER, FAN 18MM	1							
27	1	26014-060402	BOLT, M6X 40	4							
28	1	129155-49801	THERMOSTAT, 71C	1							
29	1	129150-49811	GASKET, THERMOSTAT	1							
30	1	129350-49530	COVER, THERMOSTAT	1							
31	1	129795-49551	GASKET	1							
32	1	26106-080222	BOLT, M8X 22 PLATED	2							
33	1	121450-42450	PLUG, M16	1							
34	1	121250-44901	SWITCH, THERMO 110	1							
35	1	124465-44950	GASKET, 16	1							
36	1	124465-44950	GASKET, 16	1							
37	1	129004-49610	HOSE ASSY, WATER	1							
38	2	129004-49711	HOSE, WATER	1							
39	2	119802-49730	RETAINER, PIPE	1							
40	2	124722-59050	CLAMP, HOSE 9	2							
41	1	129004-49620	HOSE ASSY, WATER	1							
42	2	129004-49721	HOSE, WATER	1							
43	2	124722-59050	CLAMP, HOSE 9	2							
44	1	124450-44550	BAND, SUB-TANK	1							
45	1	121256-44600	BRACKET, SUB TANK	1							
46	1	171064-44510	TANK ASSY, SUB	1							Z
		(A=EZZZZZ)									
48	2	121450-44531	CAP	1							Z
		(A=EZZZZZ)									
49	2	124450-44560	CLAMP, HOSE	1							Z
		(A=EZZZZZ)									
50	2	121470-44581	GASKET	1							Z
		(A=EZZZZZ)									
51	2	23065-070225	HOSE 7X 225	1							Z
		(A=EZZZZZ)									
52	1	124450-44510	TANK ASSY, SUB	1							W

N:Old  $\frac{New}{Old}$  New, Q:Old  $\frac{New}{Old}$  New, R:Old  $\frac{New}{Old}$  New, S:Old  $\frac{New}{Old}$  New, W:Add, Z:Discontinued, F:Interchangeable by set, K:Q'ty Change  
 ++ CONTINUE ++  
 Copyright (C) YANMAR CO., LTD. All Rights Reserved.

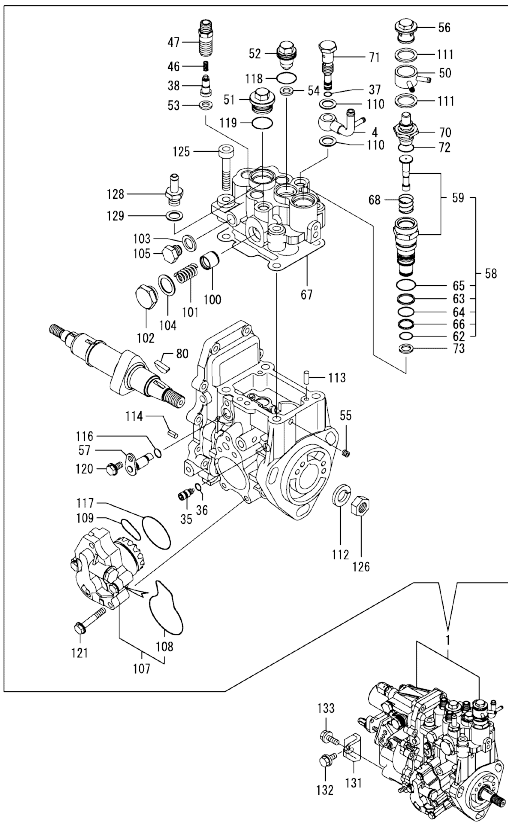


Fig.12. COOLING WATER SYSTEM



No.	Lev.	Parts No.	Description	Q'ty						I	R
				(A)	(B)	(C)	(D)	(E)	(F)		
		(A=EZZZZZ)									
54	2	124450-44530	CAP, SUB-TANK	1							W
		(A=EZZZZZ)									
55	2	124450-44560	CLAMP, HOSE	1							W
		(A=EZZZZZ)									
56	2	23061-070230	PIPE, 7X 230	1							W
		(A=EZZZZZ)									

Fig.13. FUEL INJECTION PUMP



(A)=3TNV84T-BXNK  
(B)=  
(C)=

(D)=  
(E)=  
(F)=

No.	Lev.	Parts No.	Description	Q'ty						I	R
				(A)	(B)	(C)	(D)	(E)	(F)		
1	1	729045-51300	INJECTION PUMP ASSY	1							1
4	2	158552-51670	JOINT, OVER FLOW	1							
35	2	158600-51270	STOPPER, TAPPET	1							
36	2	158563-51281	O-RING, 4D S6	1							
37	2	158563-51281	O-RING, 4D S6	1							
37A	2	129009-51390	VALVE ASSY, DELIVERY	3							W
(A=2008.04.)											
46	3	158563-51330	SPRING, DELIVERY	3							
50	2	158553-51551	JOINT	1							
51	2	158601-51550	PLUG	1							
52	2	119802-51560	PLUG, BARREL	1							
53	2	158552-51570	GASKET	3							
54	2	158552-51570	GASKET	1							
55	2	158557-51570	PLUG	1							
56	2	158601-51570	PLUG	1							
57	2	158552-51580	LIFTER	1							
58	2	119802-51590	TIMER SET	1							
59	3	119802-51600	TIMER ASSY	1							
62	3	158553-51670	O-RING, 1011	1							
63	3	119802-51680	RING, BACK UP	1							
64	3	119802-51690	O-RING	1							
65	3	24356-010200	O-RING, 4D1020	1							
66	3	24372-000150	RING, BACK UP T2P15	1							
67	2	158552-51600	GASKET	1							
68	2	158553-51630	SPRING, TIMER	1							
70	2	158553-51640	ELEMENT	1							
71	2	158601-51650	JOINT, OVER FLOW	1							
72	2	158553-51660	O-RING, P14	1							
73	2	158553-51680	GASKET	1							
80	2	119802-51090	KEY, 4X16	1							
100	2	158601-51770	PISTON	1							
101	2	158552-51781	SPRING	1							
102	2	158601-51790	PLUG	1							
103	2	22190-120002	WASHER, SEAL 12	1							
104	2	22190-180002	WASHER, SEAL 18	1							
105	2	23887-120002	PLUG, 12	1							
107	2	158552-52100	PUMP ASSY, FUEL FEED	1							
108	3	158552-52500	O-RING	1							
109	2	158552-52310	O-RING	1							
110	2	22190-120002	WASHER, SEAL 12	2							
111	2	22190-180002	WASHER, SEAL 18	2							
112	2	22217-140000	WASHER, SPRING 14	1							
113	2	22312-050140	PIN, PARALLEL M5X14	2							
114	2	22351-050010	PIN, SPRING 5.0X10	2							
116	2	24311-000070	O-RING, 1AP7.0	1							
117	2	158552-52400	O-RING, 4E S42	1							
118	2	24356-010180	O-RING, 4D1018	1							
119	2	24356-010200	O-RING, 4D1020	1							
120	2	26106-060102	BOLT, M6X 10 PLATED	1							
121	2	158553-51770	BOLT	4							
125	2	26450-080452	BOLT, M8X 45	4							

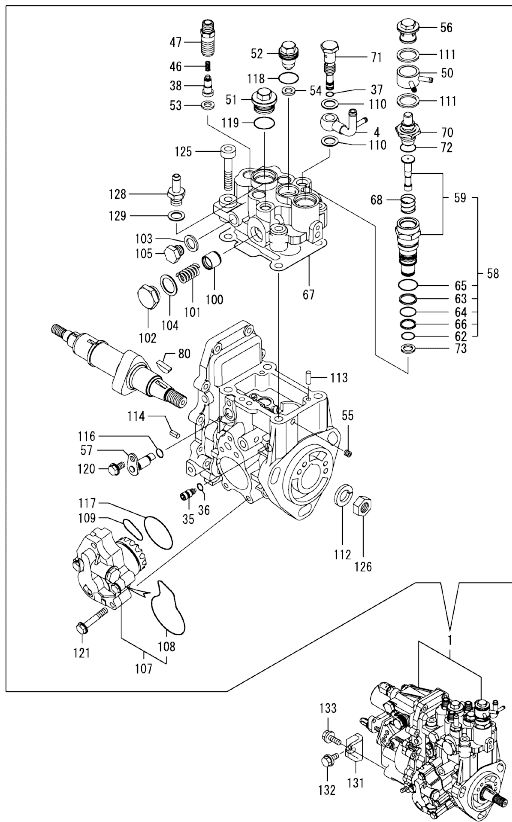
Remarks  
(1) GOVERNOR ASSY(FIG.14) IS INCORPORATED IN THIS FOP.CMP (REF.NO.1).

N:Old  $\frac{REV}{REV}$  New, Q:Old  $\frac{REV}{REV}$  New, R:Old  $\frac{REV}{REV}$  New, S:Old  $\frac{REV}{REV}$  New, W:Add, Z:Discontinued, F:Interchangeable by set, K:Q'ty Change  
++ CONTINUE ++  
Copyright (C) YANMAR CO., LTD. All Rights Reserved.

Fig.13. FUEL INJECTION PUMP

(A)=3TNV84T-BXNK  
(B)=  
(C)=

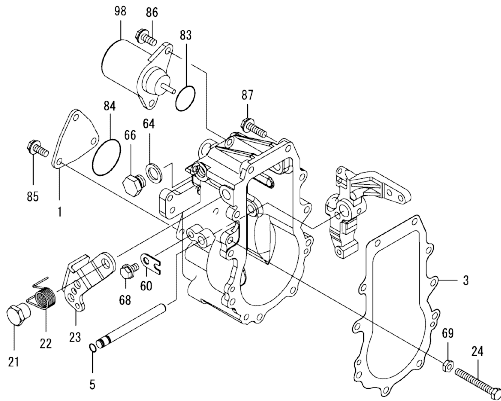
(D)=  
(E)=  
(F)=



No.	Lev.	Parts No.	Description	(A)	(B)	(C)	(D)	(E)	(F)	I	R
126	2	26776-140002	NUT, LOCK M14	1							
128	2	119934-59910	JOINT, PIPE	1							
129	2	22190-120002	WASHER, SEAL 12	1							
131	1	119802-51250	RETAINER, PUMP	1							
132	1	26106-080162	BOLT, M8X 16 PLATED	1							
133	1	26106-080202	BOLT, M8X 20 PLATED	1							

Remarks  
(1) GOVERNOR ASSY(FIG.14) IS  
INCORPORATED IN THIS FOP.CMP  
(REF.NO.1).

Fig.14. GOVERNOR



(A)=3TNV84T-BXNK  
(B)=  
(C)=

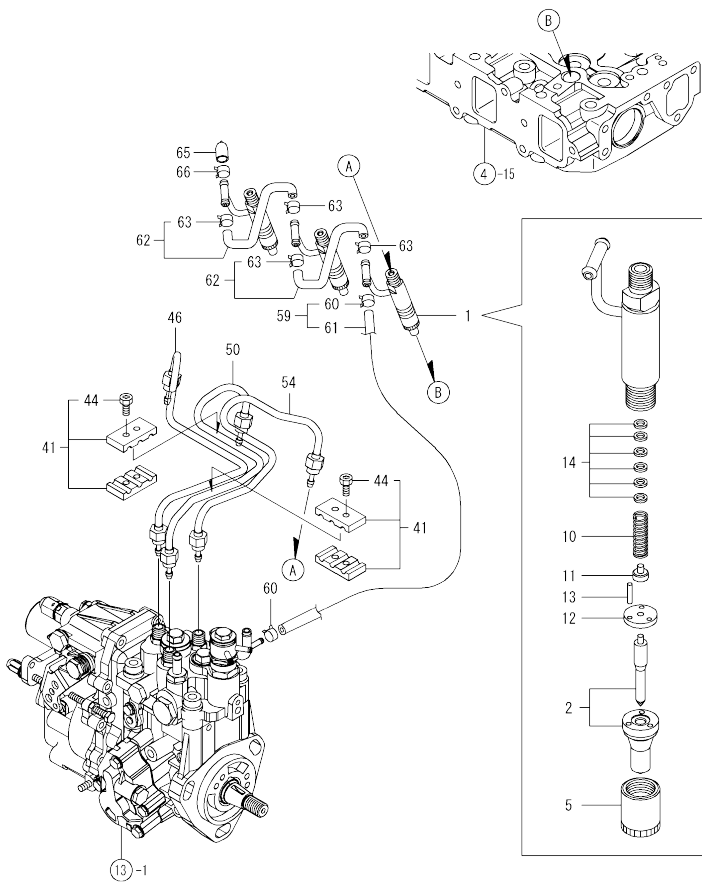
(D)=  
(E)=  
(F)=

No.	Lev.	Parts No.	Description	Q'ty					
				(A)	(B)	(C)	(D)	(E)	(F)
1	2	158553-61060	COVER, GOVERNOR CASE	1					
3	2	158553-61050	GASKET	1					
5	2	129155-51280	O-RING, S6	1					
21	2	129255-61410	NUT, LOCK	1					
22	2	119807-61420	SPRING, RETURN	1					
23	2	158552-61441	LEVER, REGULATOR	1					
24	2	129155-61460	BOLT, IDLE	1					
60	2	119660-61901	RETAINER, SHAFT	1					
64	2	22190-120000	WASHER, SEAL 12	1					
66	2	23887-120002	PLUG, 12	1					
68	2	26106-060102	BOLT, M6X 10 PLATED	1					
69	2	26756-060002	NUT, LOCK M6	1					
83	2	158552-61900	O-RING	1					
84	2	24341-000360	O-RING, 1AS36.0	1					
85	2	26106-060142	BOLT, M6X 14 PLATED	3					
86	2	26106-060142	BOLT, M6X 14 PLATED	2					
87	2	26106-060202	BOLT, M6X 20 PLATED	10					
98	2	119233-77932	SOLENOID, STOP	1					

Remarks

\* THIS FIGURE(GOVERNOR ASSY)IS INCORPORATED IN THE FUEL INJECTION PUMP ASSY(FIG.13).

Fig.15. FUEL INJECTION VALVE

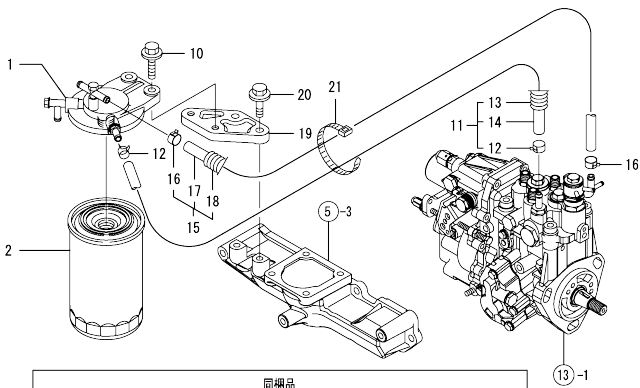


(A)=3TNV84T-BXNK  
(B)=  
(C)=

(D)=  
(E)=  
(F)=

No.	Lev.	Parts No.	Description	Q'ty						I	R
				(A)	(B)	(C)	(D)	(E)	(F)		
1	1	729004-53200	VALVE ASSY,INJECTION	3							
2	2	129004-53001	VALVE ASSY,INJECTION	3							
5	2	114250-53080	NUT, NOZZLE D16.95	3							
10	2	114250-53120	SPRING, NOZZLE	3							
11	2	114250-53130	SEAT, SPRING	3							
12	2	114250-53140	PLATE	3							
13	2	114250-53210	PIN	6							
14	2	119803-53400	SHIM SET	3							
41	1	129150-59120	RETAINER, PIPE	2							
44	2	129150-59131	BOLT, M4X14	4							
46	1	129004-59811	PIPE ASSY, INJECTION	1							
50	1	129004-59821	PIPE ASSY, INJECTION	1							
54	1	129004-59831	PIPE ASSY, INJECTION	1							
59	1	119802-59550	PIPE ASSY, RETURN	1							
60	2	124722-59050	CLIP, HOSE 9	2							
61	2	119802-59560	PIPE, FUEL RETURN	1							
62	1	129486-59551	PIPE ASSY, RETURN	2							
63	2	124722-59050	CLIP, HOSE 9	4							
65	1	119593-59581	CAP	1							
66	1	124060-77680	CLIP, HOSE 10	1							

Fig.16. FUEL LINE



(A)=3TNV84T-BXNK  
(B)=  
(C)=

(D)=  
(E)=  
(F)=

No.	Lev.	Parts No.	Description	Q'ty						I	R
				(A)	(B)	(C)	(D)	(E)	(F)		
1	1	129004-55612	BRACKET, FILTER	1							
2	1	129907-55801	FILTER, FUEL	1							
3	1	119225-52102	PUMP ASSY, FUEL FEED	1							
4	1	119802-55700	SEPARATOR ASSY	1							
5	2	119802-55710	ELEMENT	1							
6	2	119802-55730	CUP ASSY	1							
7	2	129100-55690	RING, RETAINING	1							
8	2	24321-000650	O-RING, 1AG65.0	1							
9	2	24311-000160	O-RING, 1AP16.0	1							
10	1	26106-080302	BOLT, M8X 30 PLATED	2							
11	1	129457-59010	PIPE ASSY, FUEL	1							
12	2	124766-59050	CLIP, HOSE 12	2							
13	2	129957-59120	TUBE, CORRUGATED	1							
14	2	105025-59750	PIPE, FUEL	1							
15	1	129961-59310	PIPE ASSY, FUEL	1							
16	2	124766-59050	CLIP, HOSE 12	2							
17	2	129136-59110	PIPE, D13/7.5X270	1							
18	2	129961-59110	TUBE, CORRUGATED	1							
19	1	119940-55690	SPACER	1							
20	1	26106-080252	BOLT, M8X 25 PLATED	2							
21	1	121750-59890	BAND, 140	1							

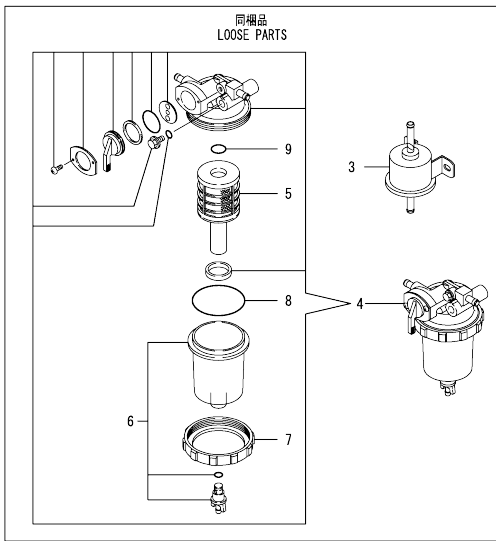
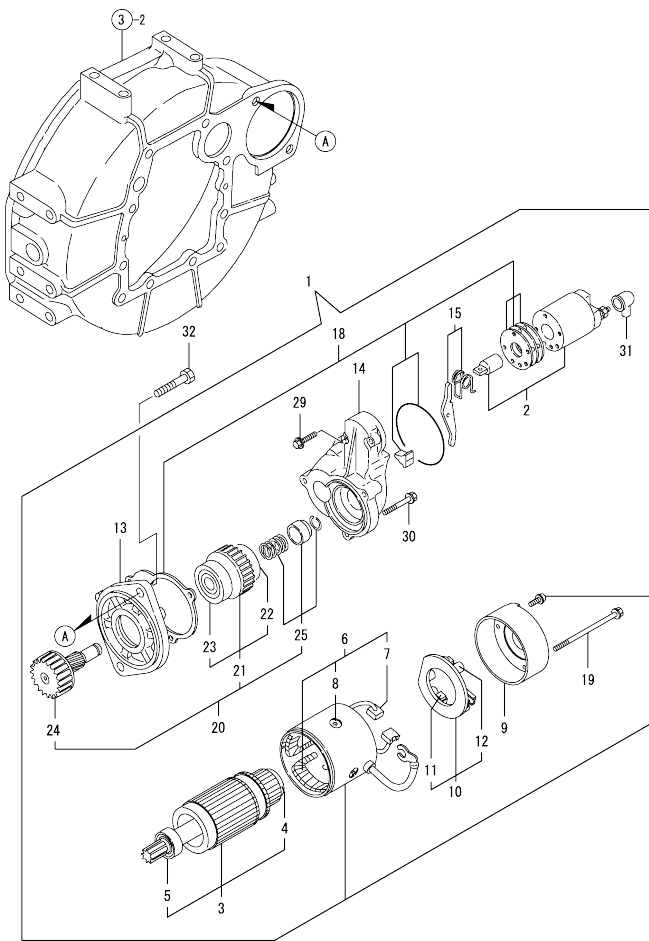


Fig.17. STARTING MOTOR



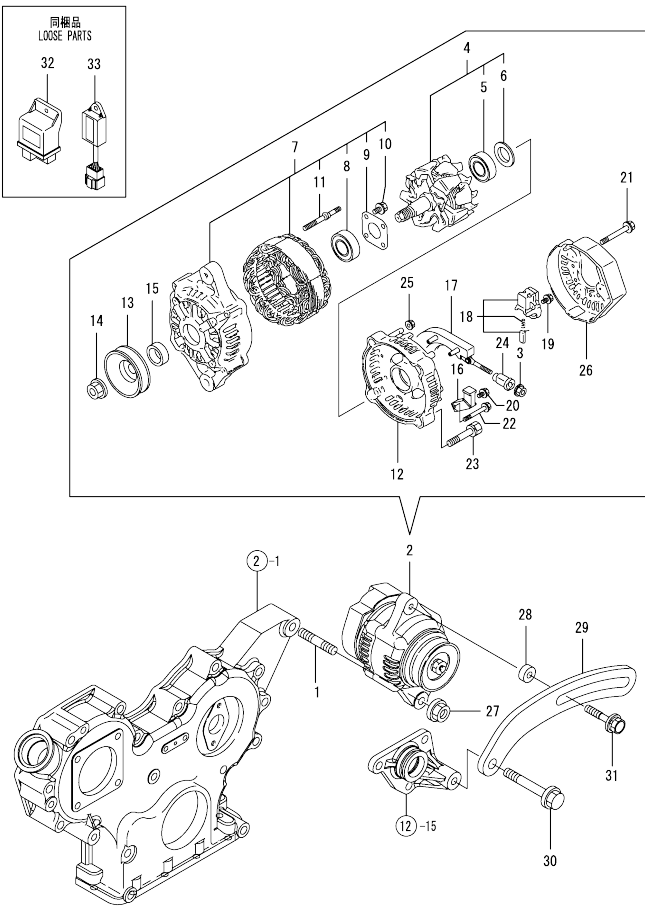
(A)=3TNV84T-BXNK  
(B)=  
(C)=

(D)=  
(E)=  
(F)=

No.	Lev.	Parts No.	Description	Q'ty						I	R
				(A)	(B)	(C)	(D)	(E)	(F)		
1	1	129136-77011	STARTER	1							
2	2	129136-77310	SWITCH ASSY	1							
3	2	129900-77400	ARMATURE ASSY	1							
4	3	X2130350900	BALL BEARING	1							
5	3	X2114255110	BEARING, BALL	1							
6	2	129900-77440	COIL ASSY, FIELD	1							
7	3	129900-77450	BRUSH (+)	2							
8	3	171008-77450	SCREW	4							
9	2	129900-77460	COVER, REAR	1							
10	2	129900-77480	HOLDER ASSY, BRASH	1							
11	3	129900-77450	BRUSH (+)	2							
12	3	129400-77490	SPRING, BRUSH	4							
13	2	171008-77510	HOUSING ASSY, GEAR	1							
14	2	129136-77520	CENTER HOUSING	1							
15	2	171008-77540	LEVER SET, SHIFT	1							
18	2	129400-77571	DUST COVER, (NON-ASB.	1							
19	2	129900-77640	BOLT, THROUGHT	2							
20	2	171008-77650	PINION ASSY	1							
21	3	X2114555500	CLUTCH ASSY	1							
22	4	X2114955020	BALL BEARING	1							
23	4	X2240410100	BEARING, BALL	1							
24	3	171008-77660	SHAFT, PINION	1							
25	3	171008-77670	STOPPER SET, PINION	1							
29	2	26106-060322	BOLT, M6X 32 PLATED	2							
30	2	26106-060402	BOLT, M6X 40 PLATED	3							
31	2	171008-77750	COVER, M TERMINAL	1							
32	1	26116-120252	BOLT, M12X 25 PLATED	2							

OCW10-M29000 3TNV84T-BXNK  
 Fig.18. GENERATOR

OCW10-M29000 Fig.18



(A)=3TNV84T-BXNK  
 (B)=  
 (C)=

(D)=  
 (E)=  
 (F)=

No.	Lev.	Parts No.	Description	Q'ty						I	R
				(A)	(B)	(C)	(D)	(E)	(F)		
1	1	129795-01900	STUD	1							
2	1	119626-77210	ALTERNATOR, 12V-55A	1							
3	2	X9490561001	NUT	1							
4	2	129052-77380	ROTOR ASSY	1							
5	3	125301-79240	BALL BEARING	1							
6	3	119620-79250	COVER, BEARING	1							
7	2	129052-77422	FRAME ASSY	1							
8	3	119620-79200	BALL BEARING	1							
9	3	119620-79210	PLATE	1							
10	3	119620-79220	SCREW	4							
11	3	119620-79230	BOLT, STUD	2							
12	2	128401-77440	FRAME	1							
13	2	119620-77461	PULLEY	1							
14	2	119620-77471	NUT	1							
15	2	119620-77490	COLLAR	1							
16	2	119626-77710	REGULATOR ASSY	1							
17	2	129052-79260	HOLDER	1							
18	2	129052-79270	HOLDER, BRUSH	1							
19	2	119620-79290	SCREW	6							
20	2	119620-79300	SCREW	1							
21	2	119620-79310	BOLT	3							
22	2	119620-79320	SCREW W/WASHER	2							
23	2	119620-79330	BOLT	2							
24	2	119620-79340	INSULATION BUSH	1							
25	2	119620-79350	NUT	2							
26	2	119626-77450	COVER, END, RR	1							
27	1	26306-100002	NUT, M10	1							
28	1	119940-77270	SPACER, GENERATOR	1							
29	1	119802-77330	ADJUSTER	1							
30	1	26106-080452	BOLT, M8X 45 PLATED	1							
31	1	129972-77341	BOLT, ADJUSTER L=50	1							
32	1	119802-77200	RELAY, SAFETY	1							
33	1	129211-77920	TIMER	1							

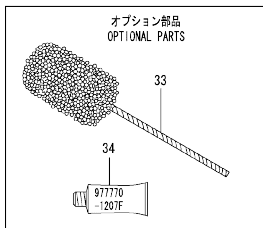
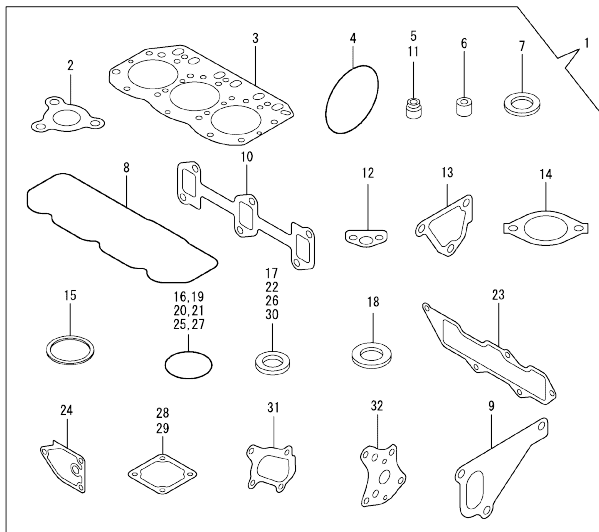
N:Old  $\frac{New}{Old}$  New, Q:Old  $\frac{New}{Old}$  New, R:Old  $\frac{New}{Old}$  New, S:Old  $\frac{New}{Old}$  New, W:Add, Z:Discontinued, F:Interchangeable by set, K:Q'ty Change  
 Copyright (C) YANMAR CO., LTD. All Rights Reserved.



Fig.19. GASKET SET

(A)=3TNV84T-BXNK  
(B)=  
(C)=

(D)=  
(E)=  
(F)=



No.	Lev.	Parts No.	Description	Q'ty						I	R
				(A)	(B)	(C)	(D)	(E)	(F)		
1	1	729246-92900	GASKET SET	1							1
2	2	129535-18100	GASKET	1							
3	2	129002-01331	GASKET, HEAD	1							
4	2	121850-51960	O-RING	1							
5	2	124460-11340	SEAL, VALVE STEM	3							
6	2	119802-11870	PROTECTOR, NOZZLE	3							
7	2	119625-11880	SEAT, NOZZLE	3							
8	2	129004-11310	GASKET, BONNET	1							
9	2	129486-42021	GASKET, WATER PUMP	1							
10	2	129150-13110	GASKET	1							
11	2	121400-11340	SEAL, VALVE STEM	3							
12	2	129150-35042	GASKET	1							
13	2	124395-49840	GASKET	1							
14	2	129795-49551	GASKET	1							
15	2	129150-49811	GASKET, THERMOSTAT	1							
16	2	24316-000160	O-RING, 4DP16.0	1							
17	2	22190-080002	WASHER, SEAL 6	7							
18	2	23414-080000	GASKET, 8X1.0	3							
19	2	24311-000120	O-RING, 1AP12.0	3							
20	2	24311-000320	O-RING, 1AP32.0	2							
21	2	24341-000240	O-RING, 1AS24.0	1							
22	2	22190-220002	WASHER, SEAL 22	1							
23	2	129001-12110	GASKET, MANIFOLD	1							
24	2	129150-35111	GASKET	1							
25	2	119609-32040	O-RING, P16	2							
26	2	22190-100002	WASHER, SEAL 10	2							
27	2	129486-42140	O-RING, G30	1							
28	2	129150-77511	GASKET	1							
29	2	129100-77510	GASKET, AIR HEATER	1							
30	2	124465-44950	GASKET, 16	2							
31	2	129403-18091	GASKET	1							
32	2	129150-32020	GASKET, PUMP	1							
33	1	129400-92420	FLEX HORN	1							1
34	1	977770-1207F	GASKET, LIQUID	1							1

Remarks  
(1) OPTIONAL PARTS.

## Parts No. Index

Parts No.	Fig. No.	Ref. No.	Parts No.	Fig. No.	Ref. No.	Parts No.	Fig. No.	Ref. No.	Parts No.	Fig. No.	Ref. No.
105010-39140	11	1	119802-25901	7	14	124160-01751	4	42	129004-55612	16	1
105025-59750	16	14	119802-35110	10	25	124160-01910	1	7	129004-59811	15	46
114250-53080	15	5	119802-49113	12	10			8	129004-59821	15	50
114250-53120	15	10	119802-49730	12	39	124160-11360	4	56	129004-59831	15	54
114250-53130	15	11	119802-51090	13	80	124160-39140	11	2	129005-59830	11	4
114250-53140	15	12	119802-51250	13	131	124240-01871	2	7	129006-12110	5	3
114250-53210	15	13	119802-51560	13	52	124395-49840	12	17	129006-35100	10	24
119131-18320	6	5	119802-51590	13	58		19	13	129006-44480	10	29
119225-52102	16	3	119802-51600	13	59	124450-44510	12	52	129006-49040	10	34
119233-77932	14	98	119802-51680	13	63	124450-44530	12	54	129007-22080	9	15
119593-59581	15	65	119802-51690	13	64	124450-44550	12	44	129007-22500	9	17
119609-32040	2	8	119802-55700	16	4	124450-44560	12	49	129007-22900	9	33
	19	25	119802-55710	16	5			55	129007-22950	9	35
119620-01750	3	3	119802-55730	16	6	124460-11340	4	29	129008-21000	9	1
119620-77461	18	13	119802-59550	15	59		19	5	129009-01520	2	4
119620-77471	18	14	119802-59560	15	61	124465-44950	12	35	129009-11340	4	52
119620-77490	18	15	119802-77200	18	32			36	129009-11350	4	43
119620-79200	18	8	119802-77330	18	29		19	30	129009-11710	4	15
119620-79210	18	9	119803-21200	9	4	124722-59050	12	40	129009-51390	13	37 A
119620-79220	18	10	119803-25050	7	18			43	129030-21590	9	12
119620-79230	18	11	119803-53400	15	14		15	60	129033-39450	11	3
119620-79250	18	6	119807-61420	14	22			63	129033-39600	11	13
119620-79290	18	19	119865-21600	9	14	124766-59050	16	12	129052-77380	18	4
119620-79300	18	20	119934-01800	2	3			16	129052-77422	18	7
119620-79310	18	21	119934-59910	13	128	125301-79240	18	5	129052-79260	18	17
119620-79320	18	22	119940-55690	16	19	128401-77440	18	12	129052-79270	18	18
119620-79330	18	23	119940-77270	18	28	129001-01250	1	6	129072-12010	5	1
119620-79340	18	24	120130-11860	4	32	129001-02931	1	25	129080-18011	8	4
119620-79350	18	25	120270-54410	4	37	129001-12110	5	2	129100-01580	3	1
119625-11880	4	35	121023-01551	2	19		19	23			14
	19	7	121111-21501	9	11	129001-91841	2	10		9	2
119626-77210	18	2	121250-44901	12	34	129002-01331	1	32	129100-01640	3	15
119626-77450	18	26	121252-39450	10	41		19	3	129100-01730	3	6
119626-77710	18	16	121256-44600	12	45	129004-03010	4	44	129100-01760	3	7
119640-01640	3	8	121267-44760	12	26	129004-11130	4	25	129100-11130	4	26
119660-61901	14	60	121400-11340	4	28	129004-11241	4	3	129100-23910	9	30
119802-01561	2	5		19	11	129004-11251	4	4	129100-35301	10	19
119802-03110	4	46	121450-42450	12	33	129004-11310	4	51	129100-42051	12	3
119802-03121	4	47	121450-44531	12	48		19	8	129100-42121	12	4
119802-03130	4	48	121470-44581	12	50	129004-11650	4	10	129100-55690	16	7
119802-03141	4	49	121520-34810	10	17	129004-11900	4	36	129100-77501	5	8
119802-11260	4	6	121550-23200	9	27	129004-21650	9	8	129100-77510	5	11
119802-11270	4	7	121750-59890	16	21	129004-34802	10	16		19	29
119802-11280	4	8	121850-21680	9	10	129004-42001	12	1	129103-13100	6	1
119802-11870	4	34	121850-42410	12	8	129004-42040	12	15	129103-49301	10	39
	19	6	121850-51960	2	9	129004-49610	12	37	129122-44480	2	22
119802-13620	6	3		19	4	129004-49620	12	41	129129-14580	7	3
119802-13640	6	4	124060-01050	1	5	129004-49711	12	38	129136-59110	16	17
119802-25071	7	12	124060-77680	15	66	129004-49721	12	42	129136-77011	17	1
119802-25101	7	9	124160-01751	2	6	129004-53001	15	2	129136-77310	17	2

## Parts No. Index

Parts No.	Fig. No.	Ref. No.
129136-77520	17	14
129150-01200	1	31
129150-02020	1	10
129150-02450	7	4
129150-02871	1	33
129150-02931	1	28
129150-02941	1	36
129150-03070	4	45
129150-11230	4	11
129150-11280	4	9
129150-11370	4	14
129150-11750	4	13
129150-11810	4	33
129150-13110	6	2
	19	10
129150-14101	7	6
129150-14200	7	1
129150-14400	7	2
129150-23601	9	28
129150-23611	9	31
129150-25301	7	13
129150-32020	10	14
	19	32
129150-35042	10	18
	19	12
129150-35111	10	27
	19	24
129150-35153	10	28
129150-49811	12	29
	19	15
129150-59120	15	41
129150-59131	15	44
129150-77511	5	9
	19	28
129155-49801	12	28
129155-51280	14	5
129155-61460	14	24
129165-77520	5	12
129202-22300	9	21
129211-77920	18	33
129255-61410	14	21
129266-39620	11	12
129350-49530	12	30
129400-77490	17	12
129400-77571	17	18
129400-92420	19	33
129403-18091	8	5
	19	31
129417-33110	10	23
129417-35150	10	26

Parts No.	Fig. No.	Ref. No.
129418-18320	8	2
129418-32000	10	1
129457-59010	16	11
129486-01670	3	18
129486-42021	12	14
	19	9
129486-42140	12	16
	19	27
129486-59551	15	62
129508-33010	10	21
129508-33050	10	22
129508-49030	10	30
129535-18100	8	1
	19	2
129553-39650	10	48
129556-42350	12	23
129612-01600	3	2
129612-42290	12	24
129612-44700	12	25
129642-49180	10	36
129792-39410	10	42
129795-01780	3	17
129795-01900	18	1
129795-01950	2	23
129795-02412	1	13
129795-11120	4	24
129795-11180	4	27
129795-21661	9	9
129795-49551	12	31
	19	14
129900-07900	4	1
129900-77400	17	3
129900-77440	17	6
129900-77450	17	7
	11	
129900-77460	17	9
129900-77480	17	10
129900-77640	17	19
129907-55801	16	2
129916-49740	12	11
129957-59120	16	13
129961-59110	16	18
129961-59310	16	15
129972-77341	18	31
158552-51151	7	15
158552-51570	13	53
	54	
158552-51580	13	57
158552-51600	13	67
158552-51670	13	4

Parts No.	Fig. No.	Ref. No.
158552-51781	13	101
158552-52100	13	107
158552-52310	13	109
158552-52400	13	117
158552-52500	13	108
158552-61441	14	23
158552-61900	14	83
158553-51551	13	50
158553-51630	13	68
158553-51640	13	70
158553-51660	13	72
158553-51670	13	62
158553-51680	13	73
158553-51770	13	121
158553-61050	14	3
158557-51570	13	55
158563-51281	13	36
	37	
158563-51330	13	46
158563-61060	14	1
158600-51270	13	35
158601-51550	13	51
158601-51570	13	56
158601-51650	13	71
158601-51770	13	100
158601-51790	13	102
171008-03990	10	31
	38	
171008-77450	17	8
171008-77510	17	13
171008-77540	17	15
171008-77650	17	20
171008-77660	17	24
171008-77670	17	25
171008-77750	17	31
171051-01921	1	9
171056-49120	10	50
171064-44510	12	46
22190-080002	2	11
	12	
	11	5
	7	
	19	17
22190-100002	11	8
	19	26
22190-120000	14	64
22190-120002	13	103
	110	
	129	
22190-180002	13	104

Parts No.	Fig. No.	Ref. No.
22190-180002	13	111
22190-220002	3	10
	19	22
22217-140000	7	16
	13	112
22252-000260	9	22
22312-050140	13	113
22351-030010	9	7
	10	49
22351-050010	13	114
22351-060012	4	38
22512-070140	7	7
	9	5
22857-500100	4	53
		54
		55
23000-022000	11	14
23000-041000	5	4
23000-060000	5	7
23061-070230	12	56
23065-070225	12	51
23080-015000	10	33
		37
23414-080000	11	9
	12	18
	19	18
23857-030000	11	6
23876-010000	12	12
23876-020000	12	13
23887-120002	13	105
	14	66
24311-000070	13	116
24311-000120	4	57
	19	19
24311-000160	16	9
24311-000320	2	13
	4	58
	19	20
24316-000160	11	15
	19	16
24321-000650	16	8
24341-000240	2	20
	19	21
24341-000360	14	84
24356-010180	13	118
24356-010200	13	65
		119
24372-000150	13	66
26014-060402	12	27
26106-060102	13	120

## Parts No. Index

Parts No.	Fig. No.	Ref. No.
26106-060102	14	68
26106-060142	14	85
		86
26106-060162	2	21
	11	16
26106-060202	14	87
26106-060322	17	29
26106-060402	17	30
26106-080122	11	10
	12	19
26106-080142	7	8
26106-080162	2	14
		15
	3	11
	4	2
	12	20
	13	132
26106-080202	5	5
	10	40
	13	133
26106-080222	12	32
26106-080252	3	12
	4	39
	16	20
26106-080302	2	16
	16	10
26106-080352	3	19
	4	40
	10	20
26106-080402	5	10
	7	19
26106-080452	3	13
		13 -1
	12	21
	18	30
26106-080502	3	20
	4	41
26106-080552	2	17
26106-080602	12	22
26106-080802	5	6
26116-120252	17	32
26206-100252	3	4
26206-100302	3	5
26306-080002	2	18
	8	3
26306-100002	18	27
26366-060002	11	11
26450-060252	10	15
26450-080452	13	125
26756-060002	14	69

Parts No.	Fig. No.	Ref. No.
26776-140002	7	17
	13	126
27241-120000	1	14
27241-300000	1	15
27241-400000	4	23
27310-080001	4	30
719803-01500	2	1
729004-53200	15	1
729006-01560	1	1
729045-51300	13	1
729246-92900	19	1
729402-23100	9	23
977770-1207F	19	34
X2114255110	17	5
X2114555500	17	21
X2114955020	17	22
X2130350900	17	4
X2240410100	17	23
X9490561001	18	3

Parts No.	Fig. No.	Ref. No.
-----------	----------	----------

Parts No.	Fig. No.	Ref. No.
-----------	----------	----------