

0CW10-M33100EN

P R E F A C E

1. This parts catalog is the 1st edition of 3TNV84T-BGKL, 3TNV84T-BGKLF for Kohler Ltd.

Pub. No. : 0CW10-G33100

Published : March, 2008

2. Model name

Engine model	Vehicle	Vehicle made by
3TNV84T-BGKL 3TNV84T-BGKLF	GENERATOR	Kohler Ltd.

Directions for the Parts Catalog.

1. The parts stipulated in this Parts Catalog are not necessarily standard equipped parts.
2. Parts may change without prior notice.
3. The following is an example of the Parts Catalog format.

REF.	LEV.	PARTS NO.	DESCRIPTION	Q'TY						I	R
				(A)	(B)	(C)	(D)	(E)	(F)		
1	1	729595-51390	FUEL INJECTION PUMP	1	1	1	1	1			1
1-1	1	729595-51391	FUEL INJECTION PUMP	1	1	1	1	1		N	1
		(A=E00185) (B=E00200)									
3	2	26022-060162	SCREW M 6X 16	9	9	9	9	9			
3-1	2	26022-060162	SCREW M 6X 16	4	4	4	4	4		K	
		(A=E00156) (B=E00156) (C=E00156) (D=E00156) (E=E00156)									
4	2	129470-51040	CAMSHAFT	1	1	1	1	1			
5	2	122710-51050	BEARING, ROLLER	2	2	2	2	2			
6	2	129470-51060	RETAINER	1	1	1	1	1			

Remarks
(1) BOOST COMPEMSATOR TYPE. OPTIONAL PART, TO E00155,(4JH-DT, 4JH-DTZ

① Ref. No.

The Ref. No. listed may not be in accordance with the illustration Ref. No.

(Ex.) Illustration No.

List Ref No.

1 1 (Before change) → 1-1 (After change)

For interchangeable symbols N, R and K, illustrations for new parts may be abbreviated.

② Lev. (Level)

Level indication

The numbers below indicate the level of relativity towards the main part.

1 ---- Main parts (Assembly parts)

2 ---- Sub component included in " 1 ".

3 ---- Sub component included in " 2 ".

Note) Parts that are not for sale are partially illustrated but not listed.

③ Interchangeability Mark

When a part change takes place, one of the following interchangeability symbols is indicated beside the part.

Symbol	Interchangeability	Contents note
N	Old $\begin{matrix} \leftarrow \text{Yes} \\ \text{No} \rightarrow \end{matrix}$ New	New Part is interchangeable for Old Part but Old Part is not interchangeable for New Part.
Q	Old $\begin{matrix} \leftarrow \text{No} \\ \text{Yes} \rightarrow \end{matrix}$ New	New Part is not interchangeable for Old Part but Old Part is interchangeable for New Part.
R	Old $\begin{matrix} \leftarrow \text{Yes} \\ \text{Yes} \rightarrow \end{matrix}$ New	New/ Old Parts are both interchangeable.
S	Old $\begin{matrix} \leftarrow \text{No} \\ \text{No} \rightarrow \end{matrix}$ New	New/ Old Parts are both not interchangeable.
W		Part newly added.
Z		Part discontinued.
F		Not interchangeable by a single part but interchangeable together with related parts.
K		Changes only for used parts quantities.

④ Effective Machine No.

When a part changes, the effective Machine No. will be indicated in the (A)-(F) column.

Product Symbol	Product No.	Product Symbol	Product No.
C	Clutch No. Compressor No.	F	Machine No. (Agricultural Equip.)
D	Drive No.	M	Machine No.
E	Engine No.		

Note 1) A date may follow the symbol. (Ex.) 1996.01

Note 2) "XXXXX" and "ZZZZZ" are for parts that could not be predicted or for engine models that could not be identified.

Note 3) (A=E00185) is the E (Engine Serial Number) for the column (A) model (in this case 4JH-DT) after the parts design change.

⑤ Remarks Mark

Figures or alphabets (symbols) are entered in the remarks column.

The comments (remarks) on parts that are indicated at the bottom of the illustration are the same symbols as those stated above.

Contents

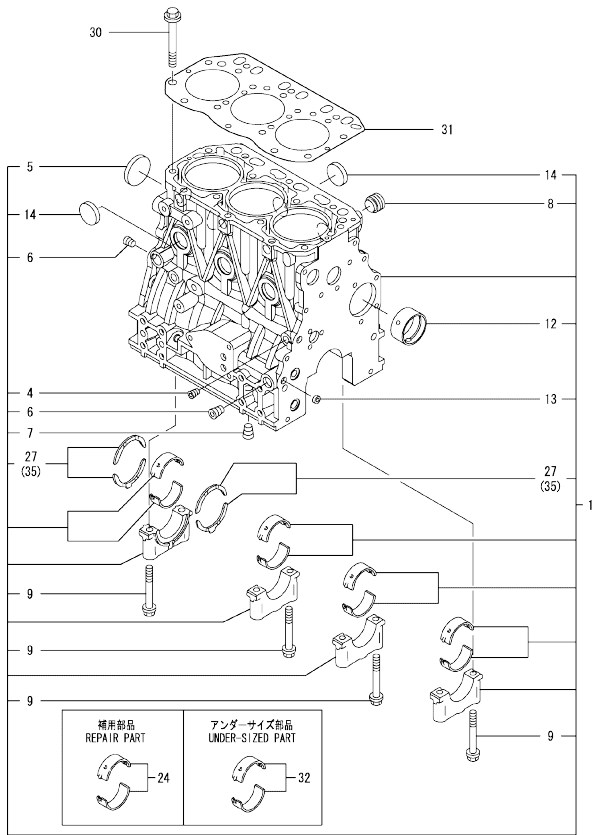
0CW10-M33100

Fig. No.	Fig. Name	Fig. No.	Fig. Name
3	TNV84T-BGKL		
1.	CYLINDER BLOCK		
2.	GEAR HOUSING		
3.	MOUNTING FLANGE & OIL SUMP		
4.	CYLINDER HEAD & BONNET		
5.	SUCTION MANIFOLD		
6.	EXHAUST MANIFOLD		
7.	CAMSHAFT & DRIVING GEAR		
8.	TURBINE		
9.	CRANKSHAFT & PISTON		
10.	LUB.OIL SYSTEM		
11.	LUB.OIL LINE		
12.	COOLING WATER SYSTEM		
13.	FUEL INJECTION PUMP		
14.	GOVERNOR		
15.	FUEL INJECTION VALVE		
16.	FUEL LINE		
17.	STARTING MOTOR		
18.	GASKET SET		

Fig.1. CYLINDER BLOCK

(A)=3TNV84T-BGKL
(B)=3TNV84T-BGKLF
(C)=

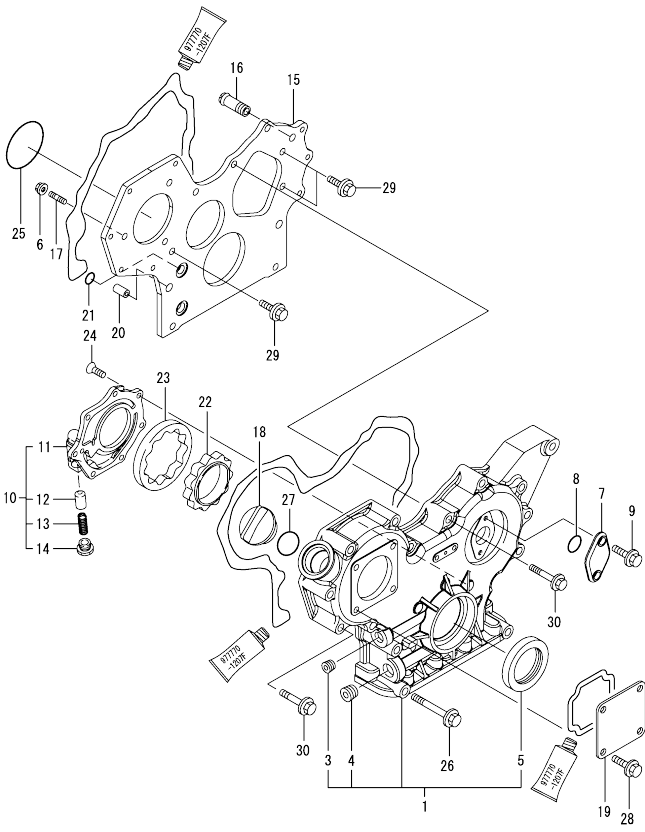
(D)=
(E)=
(F)=



No.	Lev.	Parts No.	Description	Q'ty						I	R
				(A)	(B)	(C)	(D)	(E)	(F)		
1	1	729006-01560	BLOCK ASSY, CYLINDER	1	1						
4	2	124060-01050	PLUG, PT1/8	1	1						
5	2	129001-01250	PLUG, 50	1	1						
6	2	124160-01910	PLUG, PT1/4	2	2						
7	2	124160-01910	PLUG, PT1/4	1	1						
8	2	171051-01921	PLUG, NPTF1	1	1						
9	2	129150-02020	BOLT, METAL CAP	8	8						
12	2	129795-02412	BUSH, CAMSHAFT	1	1						
13	2	27241-120000	PLUG, 12	2	2						
14	2	27241-300000	PLUG 30	6	6						
24	2	129001-02931	BEARING, MAIN	4	4						3
27	2	129150-02931	BEARING, THRUST	2	2						
30	1	129150-01200	BOLT, HEAD	14	14						
31	1	129002-01331	GASKET, HEAD	1	1						
32	1	129150-02871	BEARING, 0.25 US	4	4						1
35	1	129150-02941	BEARING, THRUST 0.25	1	1						2

Remarks
 (1) UNDER-SIZED(U.S=0.25)PART.
 (2) OVER-SIZED(O.S=0.25)PART.
 (3) REPAIR PART.

Fig.2. GEAR HOUSING



(A)=3TNV84T-BGKL
(B)=3TNV84T-BGKLF
(C)=

(D)=
(E)=
(F)=

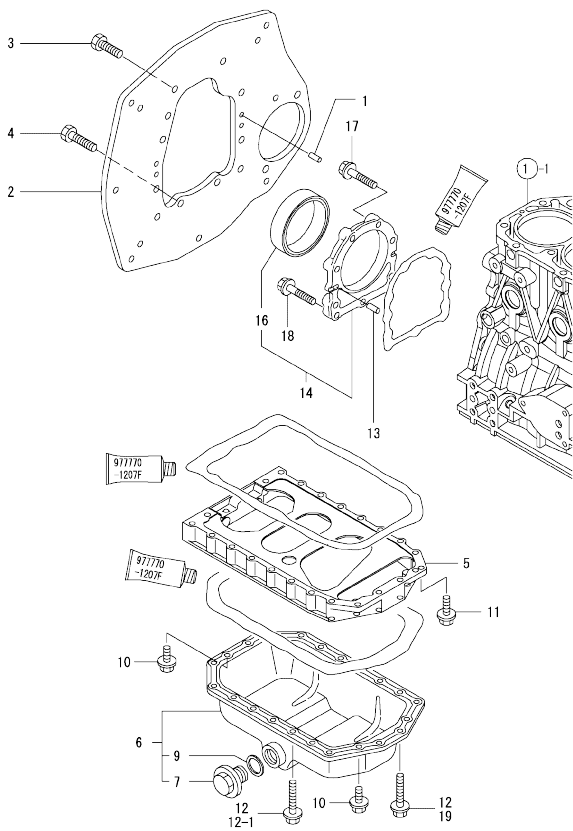
No.	Lev.	Parts No.	Description	Q'ty						I	R
				(A)	(B)	(C)	(D)	(E)	(F)		
1	1	719802-01500	CASE ASSY, GEAR	1	1						
3	2	23876-030000	PLUG, R03	1	1						
4	2	23876-040000	PLUG, R04	1	1						
5	2	119934-01800	SEAL, OIL	1	1						
6	1	26306-080002	NUT, M8	3	3						
7	1	121023-01551	COVER	1	1						
8	1	24341-000240	O-RING, 1AS24.0	1	1						
9	1	26106-060162	BOLT, M6X 16 PLATED	2	2						
10	1	119802-32100	COVER ASSY	1	1						
11	2	119802-32070	COVER	1	1						
12	2	129900-32130	VALVE, RELIEF	1	1						
13	2	129418-32320	SPRING	1	1						
14	2	129001-32330	PLUG	1	1						
15	1	129006-01520	FLANGE, GEAR CASE	1	1						
16	1	129122-44480	JOINT	1	1						
17	1	119802-01561	STUD, M8X25	3	3						
18	1	124160-01751	COVER, FILLER	1	1						
19	1	124240-01871	COVER	1	1						
20	1	129795-01950	PIPE, KNOCK L=18	2	2						
21	1	119609-32040	O-RING, P16	4	4						
22	1	119802-32111	ROTOR, INNER	1	1						
23	1	119802-32120	ROTOR, OUTER	1	1						
24	1	119802-32130	SCREW, M6X16	7	7						
25	1	121850-51960	O-RING	1	1						
26	1	129001-91841	BOLT, M8X85	3	3						
27	1	24311-000320	O-RING, 1AP32.0	1	1						
28	1	26106-080162	BOLT, M8X 16 PLATED	4	4						
29	1	26106-080162	BOLT, M8X 16 PLATED	3	3						
30	1	26106-080552	BOLT, M8X 55 PLATED	12	12						

N:Old $\frac{100}{100}$ New, Q:Old $\frac{100}{100}$ New, R:Old $\frac{100}{100}$ New, S:Old $\frac{100}{100}$ New, W:Add, Z:Discontinued, F:Interchangeable by set, K:Q'ty Change
Copyright (C) YANMAR CO., LTD. All Rights Reserved.

Fig.3. MOUNTING FLANGE & OIL SUMP

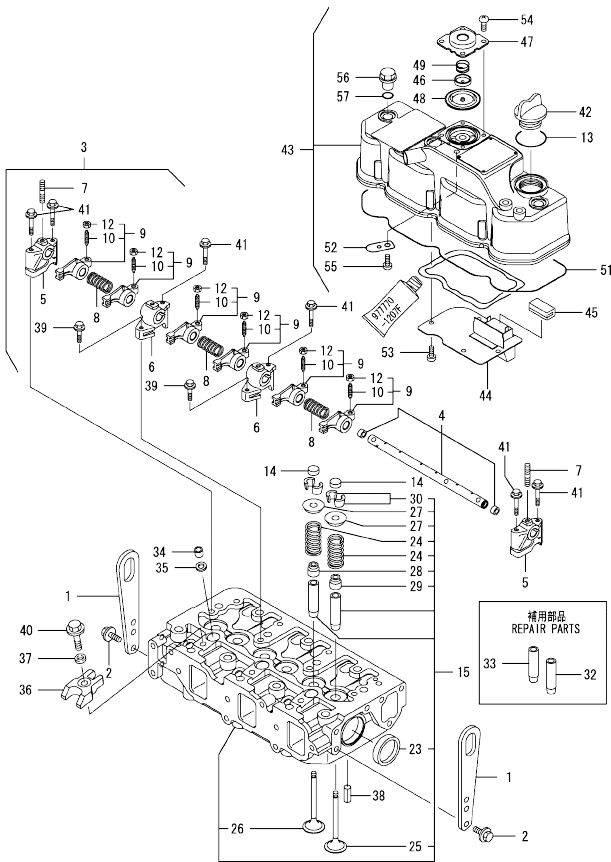
(A)=3TNV84T-BGKL
(B)=3TNV84T-BGKLF
(C)=

(D)=
(E)=
(F)=



No.	Lev.	Parts No.	Description	Q'ty						I	R
				(A)	(B)	(C)	(D)	(E)	(F)		
1	1	129100-01580	PIN, M8X16	2	2						
2	1	129176-01601	FLANGE, MOUNTING	1	1						
3	1	26206-100202	BOLT, M10X 20 PLATED	6	6						
4	1	26206-100252	BOLT, M10X 25 PLATED	4	4						
5	1	129100-01730	SPACER, OIL SUMP	1	1						
6	1	129175-01770	SUMP ASSY, OIL	1	1						
7	2	119640-01640	PLUG, DRAIN M22	1	1						
9	2	22190-220002	WASHER, SEAL 22	1	1						
10	1	26106-080162	BOLT, M8X 16 PLATED	4	4						
11	1	26106-080252	BOLT, M8X 25 PLATED	2	2						
12	1	26106-080452	BOLT, M8X 45 PLATED	20	20						
12-1	1	26106-080452	BOLT, M8X 45 PLATED	16	16						K
(A=FROM 1ST) (B=FROM 1ST)											
13	1	129100-01580	PIN, M8X16	2	2						
14	1	129100-01640	CASE ASSY, OIL SEAL	1	1						
16	2	129795-01780	SEAL, OIL	1	1						
17	1	129486-01670	BOLT, M8X30	6	6						
18	1	26106-080352	BOLT, M8X 35 PLATED	3	3						
19	1	26106-080502	BOLT, M8X 50 PLATED	4	4						W
(A=FROM 1ST) (B=FROM 1ST)											

Fig.4. CYLINDER HEAD & BONNET



(A)=3TNV84T-BGKL
(B)=3TNV84T-BGKLF
(C)=

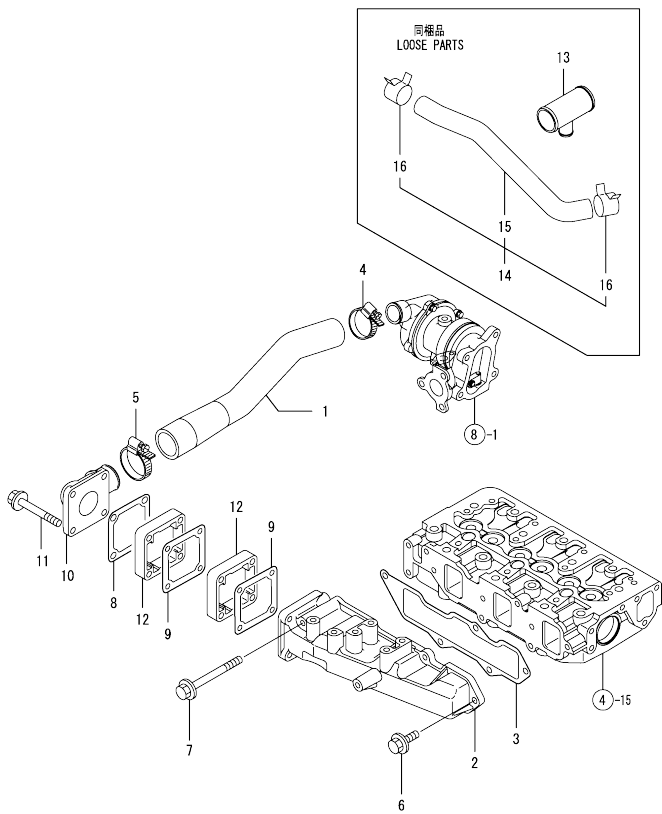
(D)=
(E)=
(F)=

No.	Lev.	Parts No.	Description	Q'ty						I	R
				(A)	(B)	(C)	(D)	(E)	(F)		
1	1	129900-07900	LIFTER	2	2						
2	1	26106-080162	BOLT, M8X 16 PLATED	4	4						
3	1	129004-11241	SHAFT ASSY, ROCKER	1	1						
4	2	129004-11251	SHAFT, ROCKER ARM	1	1						
5	2	119802-11260	SUPPORT, ROCKER ARM	2	2						
6	2	119802-11270	SUPPORT, ROCKER ARM	2	2						
7	2	119802-11280	STUD	3	3						
8	2	129150-11280	SPRING	3	3						
9	2	129004-11650	ARM, ROCKER	6	6						
10	3	129150-11230	SCREW, VALVE ADJUST	6	6						
12	3	129150-11750	NUT, M8	6	6						
13	1	24311-000320	O-RING, 1AP32.0	1	1						
14	1	129150-11370	CAP, VALVE	6	6						
15	1	129009-11710	HEAD ASSY, CYLINDER	1	1						
23	2	27241-400000	PLUG, 40	2	2						
24	2	129795-11120	SPRING, VALVE	6	6						
25	2	129004-11130	VALVE, INTAKE	3	3						
26	2	129100-11130	VALVE, EXHAUST	3	3						
27	2	129795-11180	RETAINER, SPRING	6	6						
28	2	121400-11340	SEAL, VALVE STEM	3	3						
29	2	124460-11340	SEAL, VALVE STEM	3	3						
30	2	27310-080001	COTTER, 8	6	6						
32	1	120130-11860	GUIDE, VALVE	3	3						1
33	1	129150-11810	GUIDE, VALVE	3	3						1
34	1	119802-11870	PROTECTOR, NOZZLE	3	3						
35	1	119625-11880	SEAT, NOZZLE	3	3						
36	1	129004-11900	RETAINER, NOZZLE	3	3						
37	1	120270-54410	WASHER, INJECTOR	3	3						
38	1	22351-060012	PIN, SPRING 6.0X12	2	2						
39	1	26106-080252	BOLT, M8X 25 PLATED	2	2						
40	1	26106-080352	BOLT, M8X 35 PLATED	3	3						
41	1	26106-080502	BOLT, M8X 50 PLATED	6	6						
42	1	124160-01751	COVER, FILLER	1	1						
43	1	129009-11350	BONNET ASSY, HEAD	1	1						
44	2	129004-03010	PLATE	1	1						
45	2	129150-03070	BAFFLE, BREATHER	1	1						
46	2	119802-03110	PLATE	1	1						
47	2	119802-03121	COVER, DIAPHRAGM	1	1						
48	2	119802-03130	DIAPHRAGM	1	1						
49	2	119802-03141	SPRING, DIAPHRAGM	1	1						
51	2	129004-11310	GASKET, BONNET	1	1						
52	2	129009-11340	SPRING	1	1						
53	2	22857-500100	SCREW, 5X10	4	4						
54	2	22857-500100	SCREW, 5X10	4	4						
55	2	22857-500100	SCREW, 5X10	1	1						
56	1	124160-11360	KNOB	3	3						
57	1	24311-000120	O-RING, 1AP12.0	3	3						

Remarks
(1) REPAIR PART.

N:Old $\frac{100}{100}$ New, Q:Old $\frac{100}{100}$ New, R:Old $\frac{100}{100}$ New, S:Old $\frac{100}{100}$ New, W:Add, Z:Discontinued, F:Interchangeable by set, K:Q'ty Change
Copyright (C) YANMAR CO., LTD. All Rights Reserved.

Fig.5. SUCTION MANIFOLD



(A)=3TNV84T-BGKL
(B)=3TNV84T-BGKLF
(C)=

(D)=
(E)=
(F)=

No.	Lev.	Parts No.	Description	Q'ty						
				(A)	(B)	(C)	(D)	(E)	(F)	
1	1	129649-12080	PIPE, AIR INTAKE	1	1					
2	1	129006-12100	MANIFOLD, AIR INTAKE	1	1					
3	1	129001-12110	GASKET, MANIFOLD	1	1					
4	1	23000-041000	CLAMP, 41	1	1					
5	1	23000-060000	CLAMP, 60	1	1					
6	1	26106-080202	BOLT, M8X 20 PLATED	4	4					
7	1	26106-080802	BOLT, M8X 80 PLATED	1	1					
8	1	129100-77510	GASKET	1	1					
9	1	129150-77511	GASKET	2	2					
10	1	129044-77520	BEND, AIR HEATER	1	1					
11	1	26106-080602	BOLT, M8X 60 PLATED	4	4					
12	1	129170-12580	SPACER	2	2					
13	1	129009-03050	JOINT, BREATHER	1	1					
14	1	129009-03080	HOSE ASSY, BREATHER	1	1					
15	2	129009-03090	HOSE, BREATHER	1	1					
16	2	129410-03990	CLIP	2	2					

Fig.6. EXHAUST MANIFOLD

(A)=3TNV84T-BGKL
 (B)=3TNV84T-BGKLF
 (C)=

(D)=
 (E)=
 (F)=

No.	Lev.	Parts No.	Description	Q'ty					
				(A)	(B)	(C)	(D)	(E)	(F)
1	1	129046-13100	MANIFOLD, EXHAUST	1	1				
2	1	129150-13110	GASKET	1	1				
3	1	119131-18320	STUD, M8X22	3	3				
4	1	123900-13630	BOLT, M8X80	6	6				

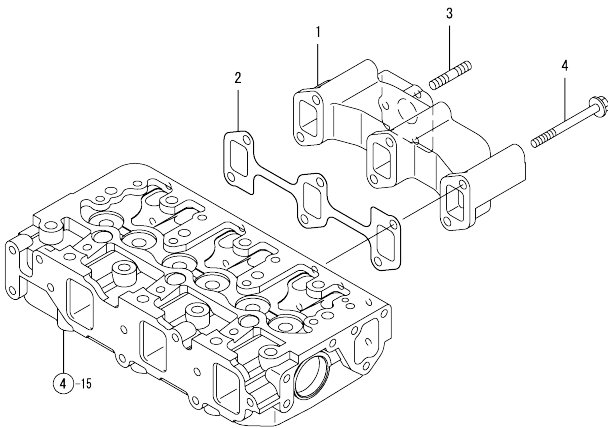
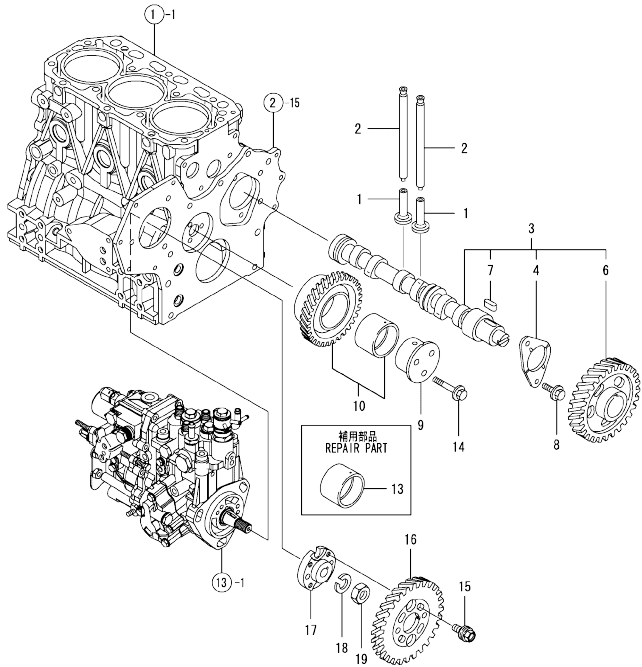


Fig.7. CAMSHAFT & DRIVING GEAR



(A)=3TNV84T-BGKL
(B)=3TNV84T-BGKLF
(C)=

(D)=
(E)=
(F)=

No.	Lev.	Parts No.	Description	Q'ty						I	R
				(A)	(B)	(C)	(D)	(E)	(F)		
1	1	129150-14200	TAPPET	6	6						
2	1	129150-14400	ROD, PUSH L=178	6	6						
3	1	129004-14580	CAMSHAFT ASSY	1	1						
4	2	129150-02450	BEARING, THRUST	1	1						
6	2	129150-14101	GEAR, CAMSHAFT	1	1						
7	2	22512-070140	KEY, 7X 14	1	1						
8	1	26106-080142	BOLT, M8X 14 PLATED	2	2						
9	1	119802-25051	SHAFT, IDLE	1	1						
10	1	119802-25101	GEAR ASSY, IDLE	1	1						
13	1	119802-25071	BUSH, IDLE GEAR	1	1						1
14	1	26106-080402	BOLT, M8X 40 PLATED	3	3						
15	1	129150-25301	BOLT	4	4						
16	1	119802-25901	GEAR, PUMP	1	1						
17	1	158552-51151	FLANGE	1	1						
18	1	22217-140000	WASHER, SPRING 14	1	1						
19	1	26776-140002	NUT, LOCK M14	1	1						

Remarks
(1) REPAIR PART.

N:Old $\frac{100}{100}$ New, Q:Old $\frac{100}{100}$ New, R:Old $\frac{100}{100}$ New, S:Old $\frac{100}{100}$ New, W:Add, Z:Discontinued, F:Interchangeable by set, K:Q'ty Change
Copyright (C) YANMAR CO., LTD. All Rights Reserved.

Fig.8. TURBINE

(A)=3TNV84T-BGKL
 (B)=3TNV84T-BGKLF
 (C)=

(D)=
 (E)=
 (F)=

No.	Lev.	Parts No.	Description	Q'ty					
				(A)	(B)	(C)	(D)	(E)	(F)
1	1	129046-18010	TURBINE, RHB31	1	1				
2	1	129535-18100	GASKET	1	1				
3	1	26306-080002	NUT, M8	3	3				
4	1	129418-18320	STUD, M8X20	4	4				
5	1	129403-18091	GASKET	1	1				

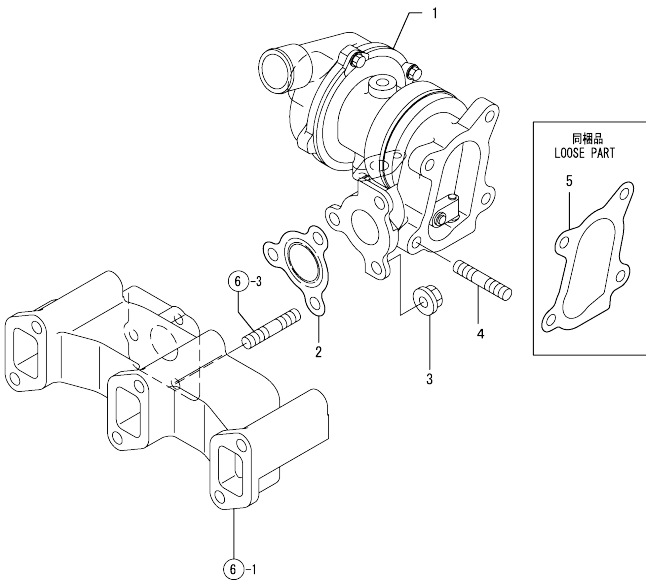
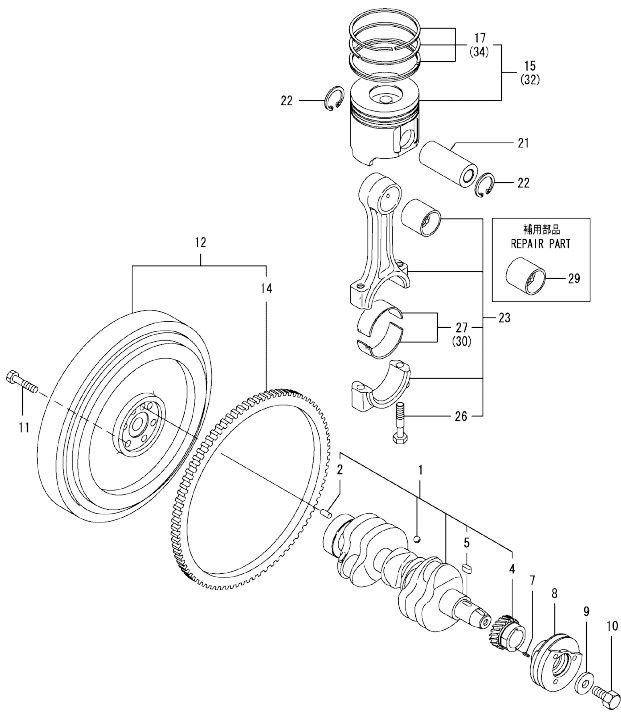


Fig.9. CRANKSHAFT & PISTON



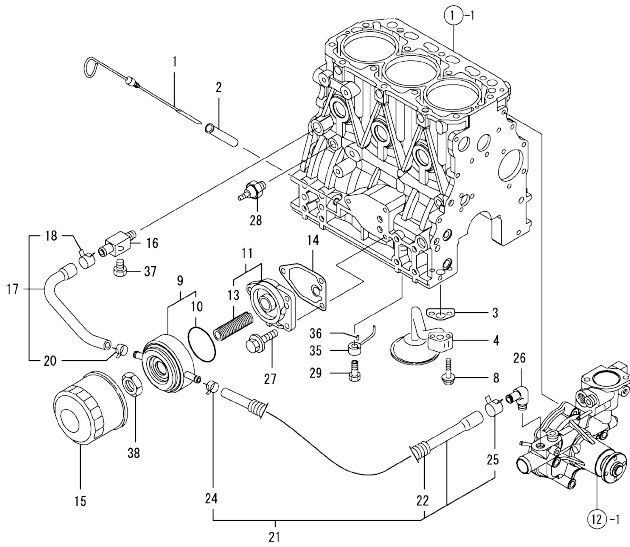
(A)=3TNV84T-BGKL
(B)=3TNV84T-BGKLF
(C)=

(D)=
(E)=
(F)=

No.	Lev.	Parts No.	Description	Q'ty						
				(A)	(B)	(C)	(D)	(E)	(F)	
1	1	129004-21002	CRANKSHAFT ASSY	1	1					
2	2	129100-01580	PIN, M8X16	1	1					
4	2	119802-21202	GEAR, CRANKSHAFT	1	1					
5	2	22512-070140	KEY, 7X 14	1	1					
7	1	22351-030010	PIN, SPRING 3.0X10	1	1					
8	1	129005-21650	V-PULLEY, 120	1	1					
9	1	129795-21661	WASHER	1	1					
10	1	121850-21680	BOLT	1	1					
11	1	121111-21501	BOLT, FLYWHEEL	6	6					
12	1	129189-21570	FLYWHEEL ASSY	1	1					
14	2	124550-21600	GEAR, RING	1	1					
15	1	129007-22080	PISTON ASSY	3	3					
17	2	129007-22500	RING SET, PISTON	3	3					
21	1	129202-22300	PIN, PISTON D26 L70	3	3					
22	1	22252-000260	RING, 26	6	6					
23	1	729402-23100	ROD ASSY, CONNECTING	3	3					
26	2	121550-23200	BOLT, CONNECTING ROD	6	6					
27	2	129150-23601	BEARING, CRANK PIN	3	3					
29	1	129100-23910	BEARING, PISTON PIN	3	3					1
30	1	129150-23611	BEARING, 0.25 US	3	3					2
32	1	129007-22900	PISTON ASSY, 0.25 OS	3	3					3
34	2	129007-22950	RING SET, 0.25 OS	3	3					3

Remarks
(1) REPAIR PART.
(2) UNDER-SIZED(U.S=0.25)PART.
(3) OVER-SIZED(O.S=0.25)PART.

Fig.10. LUB.OIL SYSTEM



(A)=3TNV84T-BGKL
(B)=3TNV84T-BGKLF
(C)=

(D)=
(E)=
(F)=

No.	Lev.	Parts No.	Description	Qty						I	R
				(A)	(B)	(C)	(D)	(E)	(F)		
1	1	129005-34802	DIPSTICK, OIL	1	1						
2	1	121520-34810	GUIDE, DIPSTICK	1	1						
3	1	129150-35042	GASKET	1	1						
4	1	129150-35091	PIPE ASSY, OIL INLET	1	1						
8	1	26106-080352	BOLT, M8X 35 PLATED	2	2						
9	1	129508-33010	COOLER ASSY, OIL	1	1						
10	2	129508-33050	O-RING	1	1						
11	1	129006-35100	BRACKET ASSY, FILTER	1	1						
13	2	129417-35150	STUD, L=67	1	1						
14	1	129150-35111	GASKET	1	1						
15	1	129150-35170	FILTER, LO	1	1						1
16	1	129006-44480	JOINT	1	1						
17	1	129508-49030	PIPE ASSY, WATER	1	1						
18	2	171008-03990	CLIP, HOSE 18.5	1	1						
20	2	23080-015000	CLAMP, 15	1	1						
21	1	129006-49040	PIPE ASSY, WATER	1	1						
22	2	129642-49180	TUBE, CORRUGATED	1	1						
24	2	23080-015000	CLAMP, 15	1	1						
25	2	171008-03990	CLIP, HOSE 18.5	1	1						
26	1	129103-49301	ELBOW, PT1/4	1	1						
27	1	26106-080202	BOLT, M8X 20 PLATED	3	3						
28	1	114250-39450	SWITCH, 0.5KG	1	1						
29	1	129792-39410	VALVE ASSY, CHECK	3	3						
35	1	129553-39650	NOZZLE	3	3						
36	1	22351-030010	PIN, SPRING 3.0X10	3	3						
37	1	171056-49120	PLUG, DRAIN	1	1						
38	1	129417-33110	NUT	1	1						

Remarks
(1) REPAIR PART.

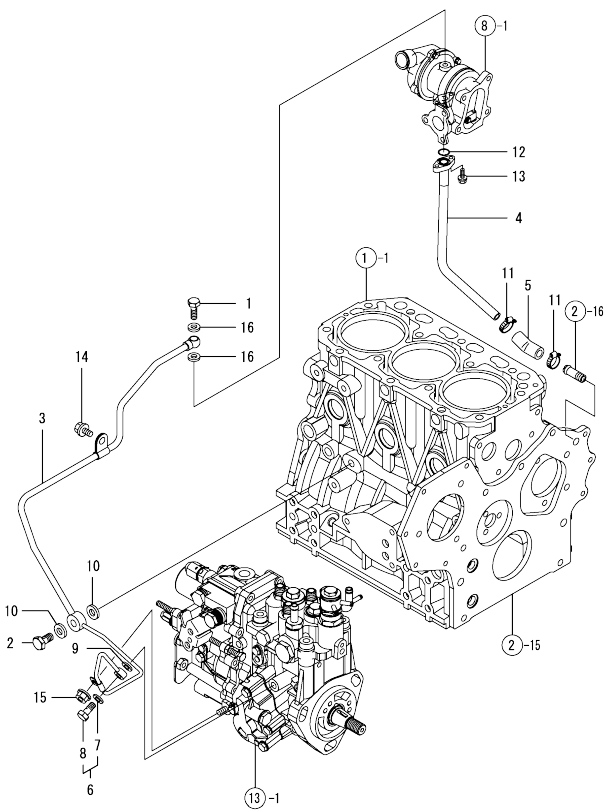
N:Old $\frac{100}{100}$ New, Q:Old $\frac{100}{100}$ New, R:Old $\frac{100}{100}$ New, S:Old $\frac{100}{100}$ New, W:Add, Z:Discontinued, F:Interchangeable by set, K:Qty Change
Copyright (C) YANMAR CO., LTD. All Rights Reserved.

OCW10-M33100 3TNV84T-BGKL
 Fig.11. LUB.OIL LINE

OCW10-M33100 Fig.11

(A)=3TNV84T-BGKL
 (B)=3TNV84T-BGKLF
 (C)=

(D)=
 (E)=
 (F)=



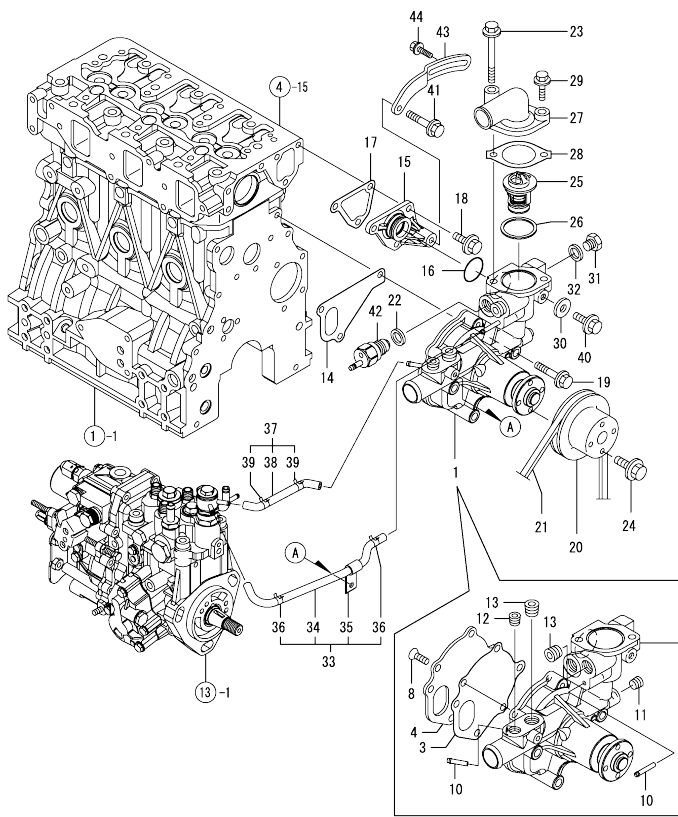
No.	Lev.	Parts No.	Description	Q'ty					
				(A)	(B)	(C)	(D)	(E)	(F)
1	1	105010-39140	BOLT, PIPE JOINT	1	1				
2	1	124160-39140	BOLT, PIPE JOINT M10	1	1				
3	1	129044-39400	PIPE ASSY, OIL	1	1				
4	1	129046-39600	PIPE, OIL	1	1				
5	1	129403-39610	JOINT, RUBBER	1	1				
6	1	129005-59830	BOLT ASSY, JOINT M8	1	1				
7	2	22190-080002	WASHER, SEAL 6	1	1				
8	2	23857-030000	BOLT, JOINT 3	1	1				
9	1	22190-080002	WASHER, SEAL 6	1	1				
10	1	22190-100002	WASHER, SEAL 10	2	2				
11	1	23000-022000	CLAMP, 22	2	2				
12	1	24316-000160	O-RING, 4DP16.0	1	1				
13	1	26106-060162	BOLT, M6X 16 PLATED	2	2				
14	1	26106-080122	BOLT, M8X 12 PLATED	1	1				
15	1	26366-060002	NUT, M6	1	1				
16	1	23414-080000	GASKET, 8X1.0	2	2				

N:Old $\frac{100}{100}$ New, Q:Old $\frac{100}{100}$ New, R:Old $\frac{100}{100}$ New, S:Old $\frac{100}{100}$ New, W:Add, Z:Discontinued, F:Interchangeable by set, K:Q'ty Change
 Copyright (C) YANMAR CO., LTD. All Rights Reserved.

Fig.12. COOLING WATER SYSTEM

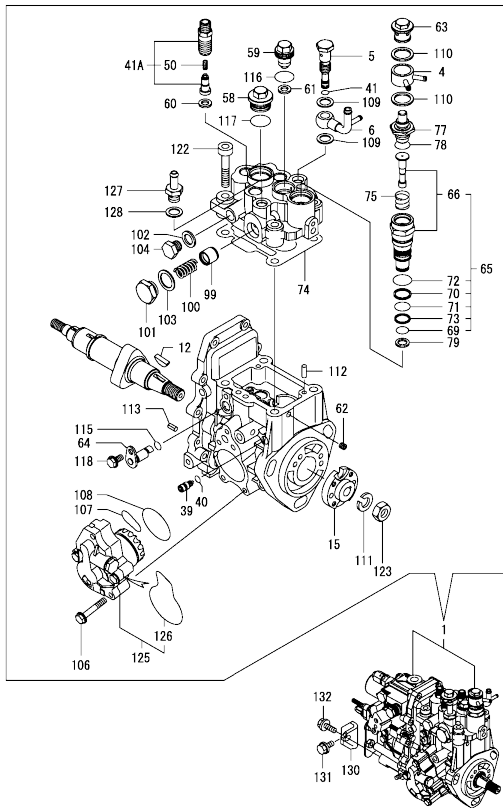
(A)=3TNV84T-BGKL
(B)=3TNV84T-BGKLF
(C)=

(D)=
(E)=
(F)=



No.	Lev.	Parts No.	Description	Qty						I	R
				(A)	(B)	(C)	(D)	(E)	(F)		
1	1	129004-42001	PUMP ASSY, WATER	1	1						
3	2	129100-42051	GASKET, WATER PUMP	1	1						
4	2	129100-42121	PLATE	1	1						
8	2	121850-42410	SCREW	3	3						
10	2	119802-49113	JOINT, PIPE	2	2						
11	2	23876-010000	PLUG, R01	1	1						
12	2	23876-020000	PLUG, R02	1	1						
13	2	129916-49740	PLUG, R03	2	2						
14	1	129486-42021	GASKET, WATER PUMP	1	1						
15	1	129004-42040	JOINT	1	1						
16	1	129486-42140	O-RING, G30	1	1						
17	1	124395-49840	GASKET	1	1						
18	1	26106-080162	BOLT, M8X 16 PLATED	3	3						
19	1	26106-080602	BOLT, M8X 60 PLATED	3	3						
20	1	129403-42380	V-PULLEY, D=110	1	1						
21	1	25132-003900	V-BELT, A39	1	1						
22	1	124465-44950	GASKET, 16	1	1						
23	1	26106-080652	BOLT, M8X 65 PLATED	1	1						
24	1	26106-060122	BOLT, M6X 12 PLATED	4	4						
25	1	129457-49801	THERMOSTAT, 82	1	1						
26	1	129150-49811	GASKET, THERMOSTAT	1	1						
27	1	124101-49531	COVER, THERMOSTAT	1	1						
28	1	129795-49551	GASKET	1	1						
29	1	26106-080252	BOLT, M8X 25 PLATED	1	1						
30	1	23414-080000	GASKET, 8X1.0	1	1						
31	1	121450-42450	PLUG, M16	1	1						
32	1	124465-44950	GASKET, 16	1	1						
33	1	129004-49610	PIPE ASSY, WATER	1	1						
34	2	129004-49711	PIPE ASSY, WATER	1	1						
35	2	119802-49730	RETAINER, PIPE	1	1						
36	2	124722-59050	CLIP, HOSE 9	2	2						
37	1	129004-49620	PIPE ASSY, WATER	1	1						
38	2	129004-49721	PIPE ASSY, WATER	1	1						
39	2	124722-59050	CLIP, HOSE 9	2	2						
40	1	26106-080122	BOLT, M8X 12 PLATED	1	1						
41	1	26106-080452	BOLT, M8X 45 PLATED	1	1						
42	1	121250-44901	SWITCH, 110	1	1						
43	1	119802-77320	ADJUSTER	1	1						
44	1	119810-77340	BOLT, ADJUSTER	1	1						

Fig.13. FUEL INJECTION PUMP



Remarks
 (1) GOVERNOR ASSY(FIG.14) IS
 INCORPORATED IN THIS FOP.CMP
 (REF.NO.1).

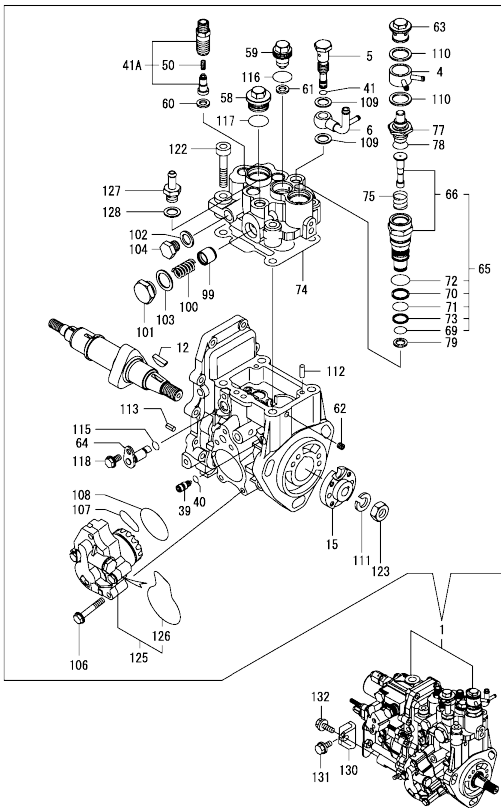
(A)=3TNV84T-BGKL
 (B)=3TNV84T-BGKLF
 (C)=

(D)=
 (E)=
 (F)=

No.	Lev.	Parts No.	Description	Qty						I	R	
				(A)	(B)	(C)	(D)	(E)	(F)			
1	1	729083-51300	PUMP ASSY, INJECTION	1	1						1	
1-1	1	729083-51320	INJECTION PUMP ASSY	1	1						S	1
		(A=EZZZZZ) (B=EZZZZZ)										
4	2	158553-51551	JOINT	1	1							
5	2	158601-51650	JOINT, OVER FLOW	1	1							
6	2	158552-51670	JOINT, OVER FLOW	1	1							
12	2	119802-51090	KEY, 4X16	1	1							
15	3	158552-51151	FLANGE	1	1							
39	2	158600-51270	STOPPER, TAPPET	1	1							
40	2	158563-51281	O-RING, 4D S6	1	1							
41	2	158563-51281	O-RING, 4D S6	1	1							
41A	2	129009-51390	VALVE ASSY, DELIVERY	3	3							W
		(A=*2008.04.) (B=*2008.04.)										
50	3	158563-51330	SPRING, DELIVERY	3	3							
58	2	158601-51550	PLUG	1	1							
59	2	119802-51560	PLUG, BARREL	1	1							
60	2	158552-51570	GASKET	3	3							
61	2	158552-51570	GASKET	1	1							
62	2	158557-51570	PLUG	1	1							
63	2	158601-51570	PLUG	1	1							
64	2	158552-51580	LIFTER	1	1							
65	2	119802-51590	TIMER SET	1	1							
66	3	119802-51600	TIMER ASSY	1	1							
69	3	158553-51670	O-RING, 1011	1	1							
70	3	119802-51680	RING, BACK UP	1	1							
71	3	119802-51690	O-RING	1	1							
72	3	24356-010200	O-RING, 4D1020	1	1							
73	3	24372-000150	RING, BACK UP T2P15	1	1							
74	2	158552-51600	GASKET	1	1							
75	2	158553-51630	SPRING, TIMER	1	1							
77	2	158553-51640	ELEMENT	1	1							
78	2	158553-51660	O-RING, P14	1	1							
79	2	158553-51680	GASKET	1	1							
99	2	158601-51770	PISTON	1	1							
100	2	158552-51781	SPRING	1	1							
101	2	158601-51790	PLUG	1	1							
102	2	22190-120002	WASHER, SEAL 12	1	1							
103	2	22190-180002	WASHER, SEAL 18	1	1							
104	2	23887-120002	PLUG, 12	1	1							
106	2	158553-51770	BOLT	4	4							
107	2	158552-52310	O-RING	1	1							
108	2	158552-52400	O-RING, 4E S42	1	1							
109	2	22190-120002	WASHER, SEAL 12	2	2							
110	2	22190-180002	WASHER, SEAL 18	2	2							
111	2	22217-140000	WASHER, SPRING 14	1	1							
112	2	22312-050140	PIN, PARALLEL M5X14	2	2							
113	2	22351-050010	PIN, SPRING 5.0X10	2	2							
115	2	24311-000070	O-RING, 1AP7.0	1	1							
116	2	24356-010180	O-RING, 4D1018	1	1							
117	2	24356-010200	O-RING, 4D1020	1	1							
118	2	26106-060102	BOLT, M6X 10 PLATED	1	1							

N:Old $\frac{New}{Old}$ New, Q:Old $\frac{New}{Old}$ New, R:Old $\frac{New}{Old}$ New, S:Old $\frac{New}{Old}$ New, W:Add, Z:Discontinued, F:Interchangeable by set, K:Qty Change
 ++ CONTINUE ++
 Copyright (C) YANMAR CO., LTD. All Rights Reserved.

Fig.13. FUEL INJECTION PUMP



(A)=3TNV84T-BGKL
(B)=3TNV84T-BGKLF
(C)=

(D)=
(E)=
(F)=

No.	Lev.	Parts No.	Description	Q'ty						
				(A)	(B)	(C)	(D)	(E)	(F)	
122	2	26450-080452	BOLT, M8X 45		4	4				
123	2	26776-140002	NUT, LOCK M14		1	1				
125	2	158552-52100	PUMP ASSY, FUEL FEED		1	1				
126	3	158552-52500	O-RING		1	1				
127	2	119934-59910	JOINT, PIPE		1	1				
128	2	22190-120002	WASHER, SEAL 12		1	1				
130	1	119802-51250	RETAINER, PUMP		1	1				
131	1	26106-080162	BOLT, M8X 16 PLATED		1	1				
132	1	26106-080202	BOLT, M8X 20 PLATED		1	1				

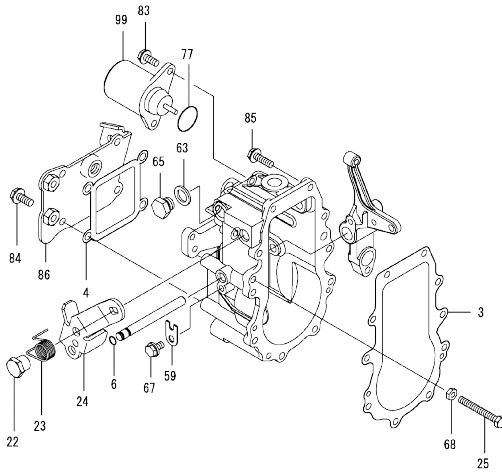
Remarks
(1) GOVERNOR ASSY(FIG.14) IS
INCORPORATED IN THIS FOP.CMP
(REF.NO.1).

N:Old $\frac{100}{100}$ New, Q:Old $\frac{100}{100}$ New, R:Old $\frac{100}{100}$ New, S:Old $\frac{100}{100}$ New, W:Add, Z:Discontinued, F:Interchangeable by set, K:Q'ty Change
Copyright (C) YANMAR CO., LTD. All Rights Reserved.

Fig.14. GOVERNOR

(A)=3TNV84T-BGKL
(B)=3TNV84T-BGKLF
(C)=

(D)=
(E)=
(F)=

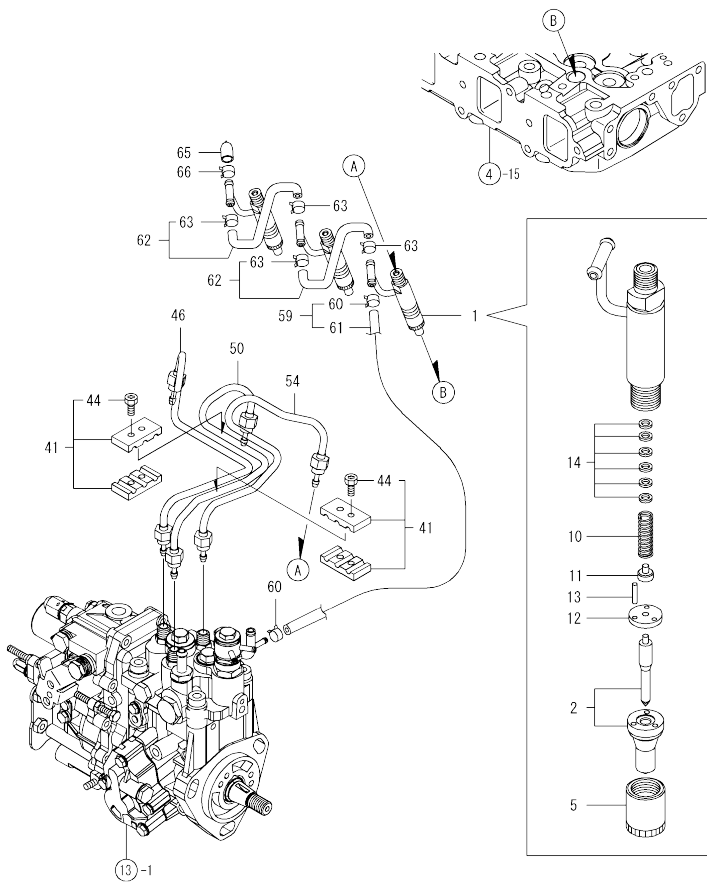


No.	Lev.	Parts No.	Description	Q'ty					
				(A)	(B)	(C)	(D)	(E)	(F)
3	2	158553-61050	GASKET	1	1				
4	2	158553-61070	GASKET	1	1				
6	2	129155-51280	O-RING, S6	1	1				
22	2	129255-61410	NUT, LOCK	1	1				
23	2	119807-61420	SPRING, RETURN	1	1				
24	2	129246-61441	LEVER, REGULATOR	1	1				
25	2	129155-61460	BOLT, IDLE	1	1				
59	2	119660-61901	RETAINER, SHAFT	1	1				
63	2	22190-120000	WASHER, SEAL 12	1	1				
65	2	23887-120002	PLUG, 12	1	1				
67	2	26106-060102	BOLT, M6X 10 PLATED	1	1				
68	2	26756-060002	NUT, LOCK M6	1	1				
77	2	158552-61900	O-RING	1	1				
83	2	26106-060142	BOLT, M6X 14 PLATED	2	2				
84	2	26106-060142	BOLT, M6X 14 PLATED	4	4				
85	2	26106-060202	BOLT, M6X 20 PLATED	10	10				
86	2	129246-61061	COVER, GOVERNOR CASE	1	1				
99	2	119653-77950	SOLENOID, STOP	1	1				

Remarks

* THIS FIGURE(GOVERNOR ASSY)IS INCORPORATED IN THE FUEL INJECTION PUMP ASSY(FIG.13).

Fig.15. FUEL INJECTION VALVE



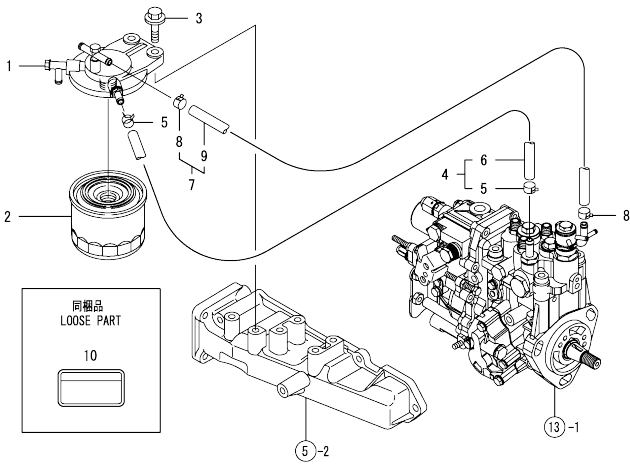
(A)=3TNV84T-BGKL
(B)=3TNV84T-BGKLF
(C)=

(D)=
(E)=
(F)=

No.	Lev.	Parts No.	Description	Q'ty						I	R
				(A)	(B)	(C)	(D)	(E)	(F)		
1	1	729046-53100	VALVE ASSY,INJECTION	3	3						
1-1	1	729642-53100	VALVE ASSY,INJECTION	3	3						S
		(A=EZZZZZ) (B=EZZZZZ)									
2	2	129046-53000	VALVE ASSY,INJECTION	3	3						
2-1	2	129640-53001	VALVE ASSY,INJECTION	3	3						S
		(A=EZZZZZ) (B=EZZZZZ)									
5	2	114250-53080	NUT, NOZZLE D16.95	3	3						
10	2	114250-53120	SPRING, NOZZLE	3	3						
11	2	114250-53130	SEAT, SPRING	3	3						
12	2	114250-53140	PLATE	3	3						
13	2	114250-53210	PIN	6	6						
14	2	114250-53400	SHIM SET	3	3						
41	1	129150-59120	RETAINER, PIPE	2	2						
44	2	129150-59131	BOLT, M4X14	4	4						
46	1	129004-59811	PIPE ASSY, INJECTION	1	1						
50	1	129004-59821	PIPE ASSY, INJECTION	1	1						
54	1	129004-59831	PIPE ASSY, INJECTION	1	1						
59	1	119802-59550	PIPE ASSY, RETURN	1	1						
60	2	124722-59050	CLIP, HOSE 9	2	2						
61	2	119802-59560	PIPE, FUEL RETURN	1	1						
62	1	129486-59551	PIPE ASSY, RETURN	2	2						
63	2	124722-59050	CLIP, HOSE 9	4	4						
65	1	119593-59581	CAP	1	1						
66	1	124060-77680	CLIP, HOSE 10	1	1						

N:Old $\frac{100}{100}$ New, Q:Old $\frac{100}{100}$ New, R:Old $\frac{100}{100}$ New, S:Old $\frac{100}{100}$ New, W:Add, Z:Discontinued, F:Interchangeable by set, K:Q'ty Change
Copyright (C) YANMAR CO., LTD. All Rights Reserved.

Fig.16. FUEL LINE

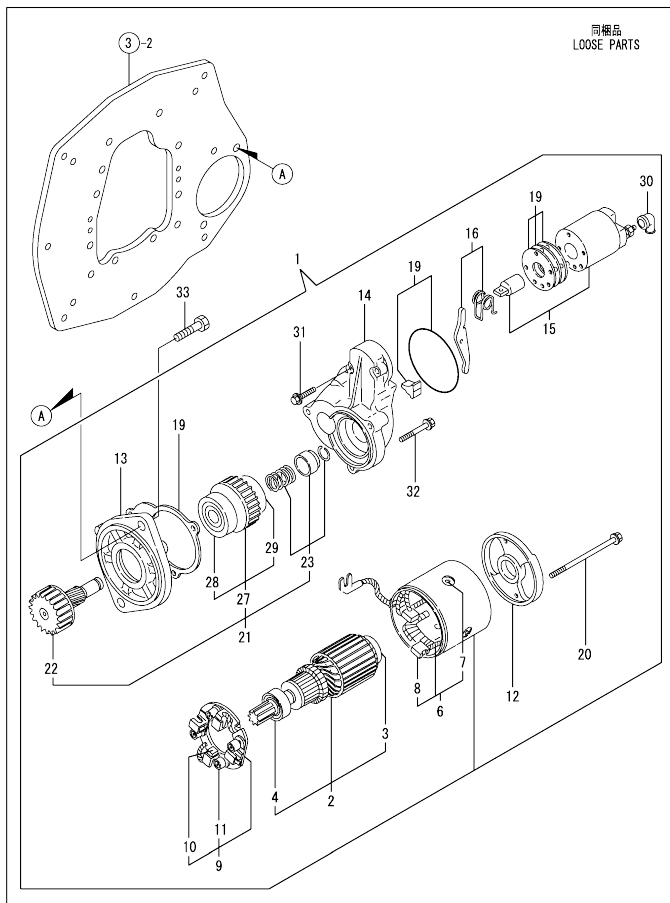


(A)=3TNV84T-BGKL
(B)=3TNV84T-BGKLF
(C)=

(D)=
(E)=
(F)=

No.	Lev.	Parts No.	Description	Q'ty						
				(A)	(B)	(C)	(D)	(E)	(F)	
1	1	129004-55611	BRACKET, FILTER	1	1					
2	1	119802-55800	FILTER, FUEL	1	1					
3	1	26106-080302	BOLT, M8X 30 PLATED	2	2					
4	1	129210-59100	PIPE ASSY, FUEL	1	1					
5	2	124766-59050	CLIP, HOSE 12	2	2					
6	2	105025-59580	PIPE, FUEL	1	1					
7	1	129210-59230	PIPE ASSY, FUEL	1	1					
8	2	124766-59050	CLIP, HOSE 12	2	2					
9	2	129555-59511	PIPE, FUEL	1	1					
10	1	114110-07760	LABEL, FUEL CAUTION	1	1					

Fig.17. STARTING MOTOR

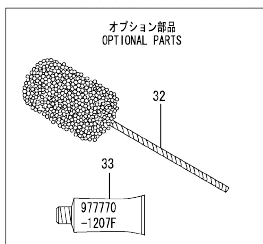
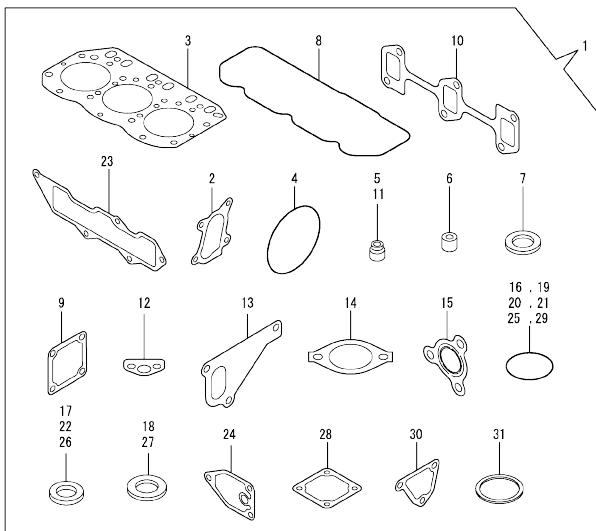


(A)=3TNV84T-BGKL
(B)=3TNV84T-BGKLF
(C)=

(D)=
(E)=
(F)=

No.	Lev.	Parts No.	Description	Q'ty						
				(A)	(B)	(C)	(D)	(E)	(F)	
1	1	171008-77010	STARTER, S114-483	1	1					
2	2	171008-77400	ARMATURE ASSY	1	1					
3	3	X2130350900	BEARING, BALL	1	1					
4	3	X2114255110	BEARING, BALL	1	1					
6	2	171008-77440	COIL ASSY, FIELD	1	1					
7	3	171008-77450	SCREW	4	4					
8	3	171008-77460	BRUSH (+)	2	2					
9	2	171008-77470	HOLDER ASSY, BRUSH	1	1					
10	3	171008-77480	BRUSH (-)	2	2					
11	3	171008-77490	SPRING, BRUSH	4	4					
12	2	171008-77500	COVER, REAR	1	1					
13	2	171008-77510	CASE, GEAR	1	1					
14	2	171008-77520	HOUSING, CENTER	1	1					
15	2	171008-77531	MAGNETIC SWITCH ASSY	1	1					
16	2	171008-77540	LEVER SET	1	1					
19	2	171008-77571	COVER KIT, DUST	1	1					
20	2	171008-77640	BOLT, THROUGH	2	2					
21	2	171008-77650	PINION ASSY	1	1					
22	3	171008-77660	SHAFT	1	1					
23	3	171008-77670	STOPPER SET	1	1					
27	3	X2114555500	CLUTCH ASSY	1	1					
28	4	X2114955020	BEARING, BALL	1	1					
29	4	X2240410100	BEARING, BALL	1	1					
30	2	171008-77750	COVER	1	1					
31	2	26108-060322	BOLT, M6X 32 PLATED	2	2					
32	2	26108-060402	BOLT, M6X 40 PLATED	3	3					
33	1	26116-120252	BOLT, M12X 25 PLATED	2	2					

Fig.18. GASKET SET



(A)=3TNV84T-BGKL
(B)=3TNV84T-BGKLF
(C)=

(D)=
(E)=
(F)=

No.	Lev.	Parts No.	Description	Q'ty						I	R
				(A)	(B)	(C)	(D)	(E)	(F)		
1	1	729246-92920	GASKET SET	1	1						1
2	2	129403-18091	GASKET	1	1						
3	2	129002-01331	GASKET, HEAD	1	1						
4	2	121850-51960	O-RING	1	1						
5	2	124460-11340	SEAL, VALVE STEM	3	3						
6	2	119802-11870	PROTECTOR, NOZZLE	3	3						
7	2	119625-11880	SEAT, NOZZLE	3	3						
8	2	129004-11310	GASKET, BONNET	1	1						
9	2	129100-77510	GASKET	1	1						
10	2	129150-13110	GASKET	1	1						
11	2	121400-11340	SEAL, VALVE STEM	3	3						
12	2	129150-35042	GASKET	1	1						
13	2	129486-42021	GASKET, WATER PUMP	1	1						
14	2	129795-49551	GASKET	1	1						
15	2	129535-18100	GASKET	1	1						
16	2	24316-000160	O-RING, 4DP16.0	1	1						
17	2	22190-080002	WASHER, SEAL 6	2	2						
18	2	23414-080000	GASKET, 8X1.0	3	3						
19	2	24311-000120	O-RING, 1AP12.0	3	3						
20	2	24311-000320	O-RING, 1AP32.0	2	2						
21	2	24341-000240	O-RING, 1AS24.0	1	1						
22	2	22190-220002	WASHER, SEAL 22	1	1						
23	2	129001-12110	GASKET, MANIFOLD	1	1						
24	2	129150-35111	GASKET	1	1						
25	2	119609-32040	O-RING, P16	4	4						
26	2	22190-100002	WASHER, SEAL 10	2	2						
27	2	124465-44950	GASKET, 16	2	2						
28	2	129150-77511	GASKET	2	2						
29	2	129486-42140	O-RING, G30	1	1						
30	2	124395-49840	GASKET	1	1						
31	2	129150-49811	GASKET, THERMOSTAT	1	1						
32	1	129400-92420	HONE	1	1						1
33	1	977770-1207F	GASKET, LIQUID	1	1						1

Remarks
(1) OPTIONAL PARTS.

N:Old $\frac{100}{100}$ New, Q:Old $\frac{100}{100}$ New, R:Old $\frac{100}{100}$ New, S:Old $\frac{100}{100}$ New, W:Add, Z:Discontinued, F:Interchangeable by set, K:Qty Change
Copyright (C) YANMAR CO., LTD. All Rights Reserved.

Parts No. Index

Parts No.	Fig. No.	Ref. No.
105010-39140	11	1
105025-59580	16	6
114110-07760	16	10
114250-39450	10	28
114250-53080	15	5
114250-53120	15	10
114250-53130	15	11
114250-53140	15	12
114250-53210	15	13
114250-53400	15	14
119131-18320	6	3
119593-59581	15	65
119609-32040	2	21
	18	25
119625-11880	4	35
	18	7
119640-01640	3	7
119653-77950	14	99
119660-61901	14	59
119802-01561	2	17
119802-03110	4	46
119802-03121	4	47
119802-03130	4	48
119802-03141	4	49
119802-11260	4	5
119802-11270	4	6
119802-11280	4	7
119802-11870	4	34
	18	6
119802-21202	9	4
119802-25051	7	9
119802-25071	7	13
119802-25101	7	10
119802-25901	7	16
119802-32070	2	11
119802-32100	2	10
119802-32111	2	22
119802-32120	2	23
119802-32130	2	24
119802-49113	12	10
119802-49730	12	35
119802-51090	13	12
119802-51250	13	130
119802-51560	13	59
119802-51590	13	65
119802-51600	13	66
119802-51680	13	70
119802-51690	13	71
119802-55800	16	2
119802-59550	15	59

Parts No.	Fig. No.	Ref. No.
119802-59560	15	61
119802-77320	12	43
119807-61420	14	23
119810-77340	12	44
119934-01800	2	5
119934-59910	13	127
120130-11860	4	32
120270-54410	4	37
121023-01551	2	7
121111-21501	9	11
121250-44901	12	42
121400-11340	4	28
	18	11
121450-42450	12	31
121520-34810	10	2
121550-23200	9	26
121850-21680	9	10
121850-42410	12	8
121850-51960	2	25
	18	4
123900-13630	6	4
124060-01050	1	4
124060-77680	15	66
124101-49531	12	27
124160-01751	2	18
	4	42
124160-01910	1	6
	7	
124160-11360	4	56
124160-39140	11	2
124240-01871	2	19
124395-49840	12	17
	18	30
124460-11340	4	29
	18	5
124465-44950	12	22
	32	
	18	27
124550-21600	9	14
124722-59050	12	36
	39	
	15	60
	63	
124766-59050	16	5
	8	
129001-01250	1	5
129001-02931	1	24
129001-12110	5	3
	18	23
129001-32330	2	14

Parts No.	Fig. No.	Ref. No.
129001-91841	2	26
129002-01331	1	31
	18	3
129004-03010	4	44
129004-11130	4	25
129004-11241	4	3
129004-11251	4	4
129004-11310	4	51
	18	8
129004-11650	4	9
129004-11900	4	36
129004-14580	7	3
129004-21002	9	1
129004-42001	12	1
129004-42040	12	15
129004-49610	12	33
129004-49620	12	37
129004-49711	12	34
129004-49721	12	38
129004-55611	16	1
129004-59811	15	46
129004-59821	15	50
129004-59831	15	54
129005-21650	9	8
129005-34802	10	1
129005-59830	11	6
129006-01520	2	15
129006-12100	5	2
129006-35100	10	11
129006-44480	10	16
129006-49040	10	21
129007-22080	9	15
129007-22500	9	17
129007-22900	9	32
129007-22950	9	34
129009-03050	5	13
129009-03080	5	14
129009-03090	5	15
129009-11340	4	52
129009-11350	4	43
129009-11710	4	15
129009-51390	13	41 A
129044-39400	11	3
129044-77520	5	10
129046-13100	6	1
129046-18010	8	1
129046-39600	11	4
129046-53000	15	2
129100-01580	3	1
	13	

Parts No.	Fig. No.	Ref. No.
129100-01580	9	2
129100-01640	3	14
129100-01730	3	5
129100-11130	4	26
129100-23910	9	29
129100-42051	12	3
129100-42121	12	4
129100-77510	5	8
	18	9
129103-49301	10	26
129122-44480	2	16
129150-01200	1	30
129150-02020	1	9
129150-02450	7	4
129150-02871	1	32
129150-02931	1	27
129150-02941	1	35
129150-03070	4	45
129150-11230	4	10
129150-11280	4	8
129150-11370	4	14
129150-11750	4	12
129150-11810	4	33
129150-13110	6	2
	18	10
129150-14101	7	6
129150-14200	7	1
129150-14400	7	2
129150-23601	9	27
129150-23611	9	30
129150-25301	7	15
129150-35042	10	3
	18	12
129150-35091	10	4
129150-35111	10	14
	18	24
129150-35170	10	15
129150-49811	12	26
	18	31
129150-59120	15	41
129150-59131	15	44
129150-77511	5	9
	18	28
129155-51280	14	6
129155-61460	14	25
129170-12580	5	12
129175-01770	3	6
129176-01601	3	2
129189-21570	9	12
129202-22300	9	21

Parts No. Index

Parts No.	Fig. No.	Ref. No.
129210-59100	16	4
129210-59230	16	7
129246-61061	14	86
129246-61441	14	24
129255-61410	14	22
129400-92420	18	32
129403-18091	8	5
	18	2
129403-39610	11	5
129403-42380	12	20
129410-03990	5	16
129417-33110	10	38
129417-35150	10	13
129418-18320	8	4
129418-32320	2	13
129457-49801	12	25
129486-01670	3	17
129486-42021	12	14
	18	13
129486-42140	12	16
	18	29
129486-59551	15	62
129508-33010	10	9
129508-33050	10	10
129508-49030	10	17
129535-18100	8	2
	18	15
129553-39650	10	35
129555-59511	16	9
129640-53001	15	2 -1
129642-49180	10	22
129649-12080	5	1
129792-39410	10	29
129795-01780	3	16
129795-01950	2	20
129795-02412	1	12
129795-11120	4	24
129795-11180	4	27
129795-21661	9	9
129795-49551	12	28
	18	14
129900-07900	4	1
129900-32130	2	12
129916-49740	12	13
158552-51151	7	17
	13	15
158552-51570	13	60
		61
158552-51580	13	64
158552-51600	13	74

Parts No.	Fig. No.	Ref. No.
158552-51670	13	6
158552-51781	13	100
158552-52100	13	125
158552-52310	13	107
158552-52400	13	108
158552-52500	13	126
158552-61900	14	77
158553-51551	13	4
158553-51630	13	75
158553-51640	13	77
158553-51660	13	78
158553-51670	13	69
158553-51680	13	79
158553-51770	13	106
158553-61050	14	3
158553-61070	14	4
158557-51570	13	62
158563-51281	13	40
		41
158563-51330	13	50
158600-51270	13	39
158601-51550	13	58
158601-51570	13	63
158601-51650	13	5
158601-51770	13	99
158601-51790	13	101
171008-03990	10	18
		25
171008-77010	17	1
171008-77400	17	2
171008-77440	17	6
171008-77450	17	7
171008-77460	17	8
171008-77470	17	9
171008-77480	17	10
171008-77490	17	11
171008-77500	17	12
171008-77510	17	13
171008-77520	17	14
171008-77531	17	15
171008-77540	17	16
171008-77571	17	19
171008-77640	17	20
171008-77650	17	21
171008-77660	17	22
171008-77670	17	23
171008-77750	17	30
171051-01921	1	8
171056-49120	10	37
22190-080002	11	7

Parts No.	Fig. No.	Ref. No.
22190-080002	11	9
	18	17
22190-100002	11	10
	18	26
22190-120000	14	63
22190-120002	13	102
		109
		128
22190-180002	13	103
		110
22190-220002	3	9
	18	22
22217-140000	7	18
	13	111
22252-000260	9	22
22312-050140	13	112
22351-030010	9	7
	10	36
22351-050010	13	113
22351-060012	4	38
22512-070140	7	7
	9	5
22857-500100	4	53
		54
		55
23000-022000	11	11
23000-041000	5	4
23000-060000	5	5
23080-015000	10	20
		24
23414-080000	11	16
	12	30
	18	18
23857-030000	11	8
23876-010000	12	11
23876-020000	12	12
23876-030000	2	3
23876-040000	2	4
23887-120002	13	104
	14	65
24311-000070	13	115
24311-000120	4	57
	18	19
24311-000320	2	27
	4	13
	18	20
24316-000160	11	12
	18	16
24341-000240	2	8
	18	21

Parts No.	Fig. No.	Ref. No.
24356-010180	13	116
24356-010200	13	72
		117
24372-000150	13	73
25132-003900	12	21
26106-060102	13	118
	14	67
26106-060122	12	24
26106-060142	14	83
		84
26106-060162	2	9
	11	13
26106-060202	14	85
26106-060322	17	31
26106-060402	17	32
26106-080122	11	14
	12	40
26106-080142	7	8
26106-080162	2	28
		29
	3	10
	4	2
	12	18
	13	131
26106-080202	5	6
	10	27
	13	132
26106-080252	3	11
	4	39
	12	29
26106-080302	16	3
26106-080352	3	18
	4	40
	10	8
26106-080402	7	14
26106-080452	3	12
	12	-1
26106-080502	3	19
	4	41
26106-080552	2	30
26106-080602	5	11
	12	19
26106-080652	12	23
26106-080802	5	7
26116-120252	17	33
26206-100202	3	3
26206-100252	3	4
26306-080002	2	6
	8	3

Parts No. Index

Parts No.	Fig. No.	Ref. No.
26366-060002	11	15
26450-080452	13	122
26756-060002	14	68
26776-140002	7	19
	13	123
27241-120000	1	13
27241-300000	1	14
27241-400000	4	23
27310-080001	4	30
719802-01500	2	1
729006-01560	1	1
729046-53100	15	1
729083-51300	13	1
729083-51320	13	1 -1
729246-92920	18	1
729402-23100	9	23
729642-53100	15	1 -1
977770-1207F	18	33
X2114255110	17	4
X2114555500	17	27
X2114955020	17	28
X2130350900	17	3
X2240410100	17	29

Parts No.	Fig. No.	Ref. No.
-----------	----------	----------

Parts No.	Fig. No.	Ref. No.
-----------	----------	----------

Parts No.	Fig. No.	Ref. No.
-----------	----------	----------