

0CD50-M01890EN

P R E F A C E

This parts catalog is the 1st edition of 3TNV84T-BKVX for Roberine BV.

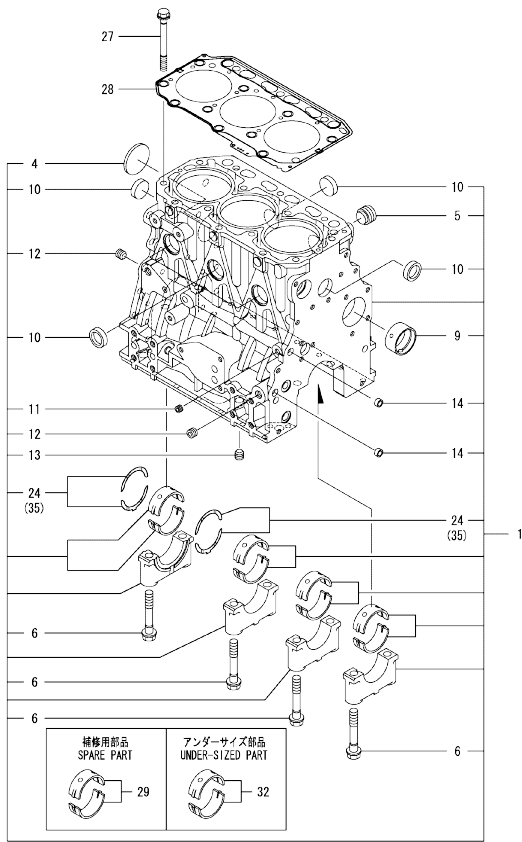
Published : January, 2016

Contents

OCD50-M01890

Fig. No.	Fig. Name	Fig. No.	Fig. Name
3	TNV84T-BKVX		
1.	CYLINDER BLOCK		
2.	GEAR HOUSING		
3.	FLYWHEEL HOUSING & OIL SUMP		
4.	CYLINDER HEAD & BONNET		
5.	SUCTION MANIFOLD		
6.	EXHAUST MANIFOLD		
7.	CAMSHAFT & DRIVING GEAR		
8.	TURBINE		
9.	CRANKSHAFT & PISTON		
10.	LUB. OIL SYSTEM		
11.	LUB. OIL PIPE		
12.	COOLING WATER SYSTEM		
13.	FUEL INJECTION PUMP		
14.	GOVERNOR		
15.	FUEL INJECTION VALVE		
16.	FUEL PIPE		
17.	STARTER MOTOR		
18.	GENERATOR		

Fig.1. CYLINDER BLOCK



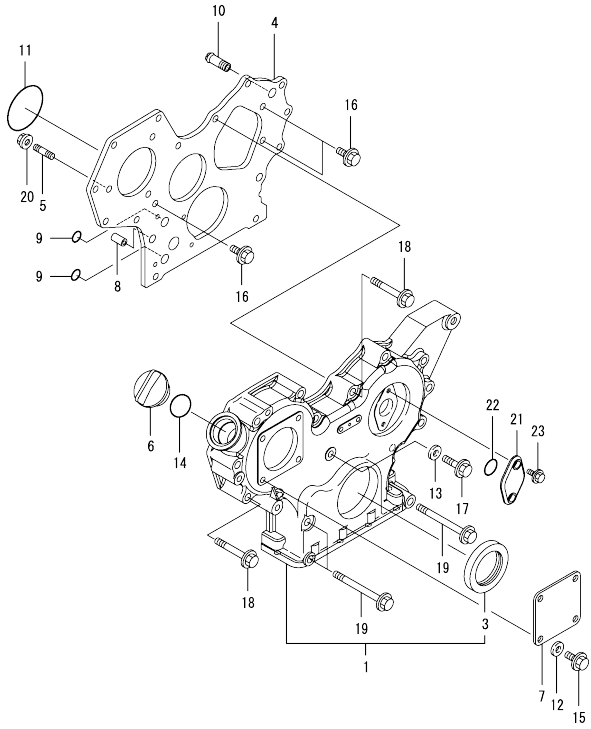
(A)=3TNV84T-BKVX
(B)=
(C)=

(D)=
(E)=
(F)=

No.	Lev.	Parts No.	Description	Q'ty						I	R
				(A)	(B)	(C)	(D)	(E)	(F)		
1	1	729006-01560	BLOCK ASSY, CYLINDER	1							
4	2	129001-01250	PLUG, DISH TYPE 50	1							
5	2	171051-01921	PLUG, NPTF1	1							
6	2	129150-02020	BOLT, METAL CAP	8							
9	2	129795-02412	BUSH, CAMSHAFT	1							
10	2	27241-300000	PLUG 30	6							
11	2	124060-01050	PLUG, PT1/8	1							
12	2	124160-01910	PLUG, PT1/4	2							
13	2	124160-01910	PLUG, PT1/4	1							
14	2	27241-120000	PLUG, 12	2							
24	2	129150-02931	BEARING ASSY, THRUST	2							
27	1	129150-01200	BOLT, CYLINDER HEAD	14							
28	1	129002-01331	GASKET, HEAD	1							
29	1	129001-02931	BEARING ASSY, MAIN	4							1
32	1	129150-02871	BEARING ASSY, MAIN	4							2
35	1	129150-02941	BEARING, THRUST 0.25	1							3

Remarks
 (1) Spare parts.
 (2) Under-sized (U.S.=0.25) parts.
 (3) Over-sized (O.S.=0.25) parts.

Fig.2. GEAR HOUSING

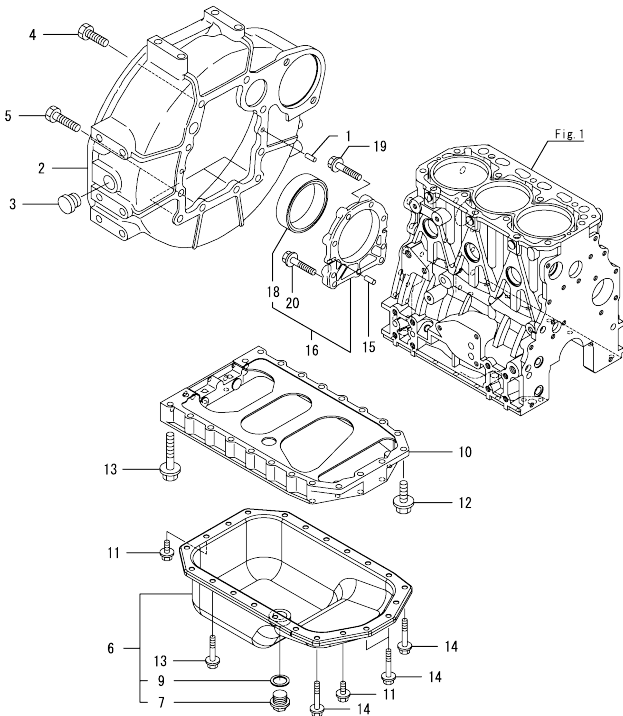


(A)=3TNV84T-BKVX
(B)=
(C)=

(D)=
(E)=
(F)=

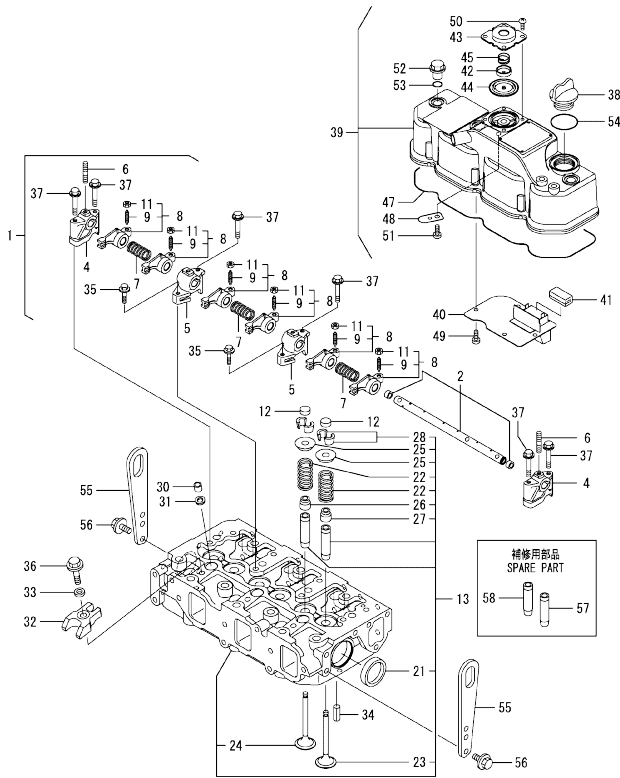
No.	Lev.	Parts No.	Description	Q'ty					
				(A)	(B)	(C)	(D)	(E)	(F)
1	1	719803-01500	CASE ASSY, GEAR	1					
3	2	119934-01800	SEAL, OIL	1					
4	1	129009-01520	FLANGE, GEAR CASE	1					
5	1	119802-01561	BOLT, STUD M8X25	3					
6	1	124160-01751	CAP, FILLER	1					
7	1	124240-01871	COVER, PUMP	1					
8	1	129795-01950	PIPE, DOWEL L=18	2					
9	1	119609-32040	O-RING, P16	2					
10	1	129122-44480	JOINT	1					
11	1	121850-51960	O-RING	1					
12	1	22190-080002	WASHER, SEAL 8	4					
13	1	22190-080002	WASHER, SEAL 8	1					
14	1	24311-000320	O-RING, 1AP32.0	1					
15	1	26106-080162	BOLT, M8X 16 PLATED	4					
16	1	26106-080162	BOLT, M8X 16 PLATED	3					
17	1	26106-080302	BOLT, M8X 30 PLATED	1					
18	1	26106-080552	BOLT, M8X 55 PLATED	12					
19	1	26106-080852	BOLT, M8X 85 PLATED	3					
20	1	26306-080002	NUT, M8	3					
21	1	121023-01551	COVER	1					
22	1	24341-000240	O-RING, 1AS24.0	1					
23	1	26106-060162	BOLT, M6X 16 PLATED	2					

Fig.3. FLYWHEEL HOUSING & OIL SUMP



No.	Lev.	Parts No.	Description	Q'ty						I	R
				(A)	(B)	(C)	(D)	(E)	(F)		
1	1	129100-01580	PIN, PARALLEL 8X16	2							
2	1	129612-01600	HOUSING, FLYWHEEL	1							
3	1	119620-01750	CAP	1							
4	1	26206-100252	BOLT, M10X 25 PLATED	6							
5	1	26206-100302	BOLT, M10X 30 PLATED	4							
6	1	129121-01540	SUMP ASSY, OIL	1							
7	2	119640-01640	PLUG, DRAIN M22	1							
9	2	22190-220002	WASHER, SEAL 22	1							
10	1	129100-01730	SPACER, OIL-PAN	1							
11	1	26106-080162	BOLT, M8X 16 PLATED	4							
12	1	26106-080252	BOLT, M8X 25 PLATED	2							
13	1	26106-080452	BOLT, M8X 45 PLATED	16							
14	1	26106-080502	BOLT, M8X 50 PLATED	4							
15	1	129100-01580	PIN, PARALLEL 8X16	2							
16	1	129100-01640	CASE ASSY, OIL SEAL	1							
18	2	129795-01780	SEAL, OIL	1							
19	1	129486-01670	BOLT, M8X30	6							
20	1	26106-080352	BOLT, M8X 35 PLATED	3							

Fig.4. CYLINDER HEAD & BONNET



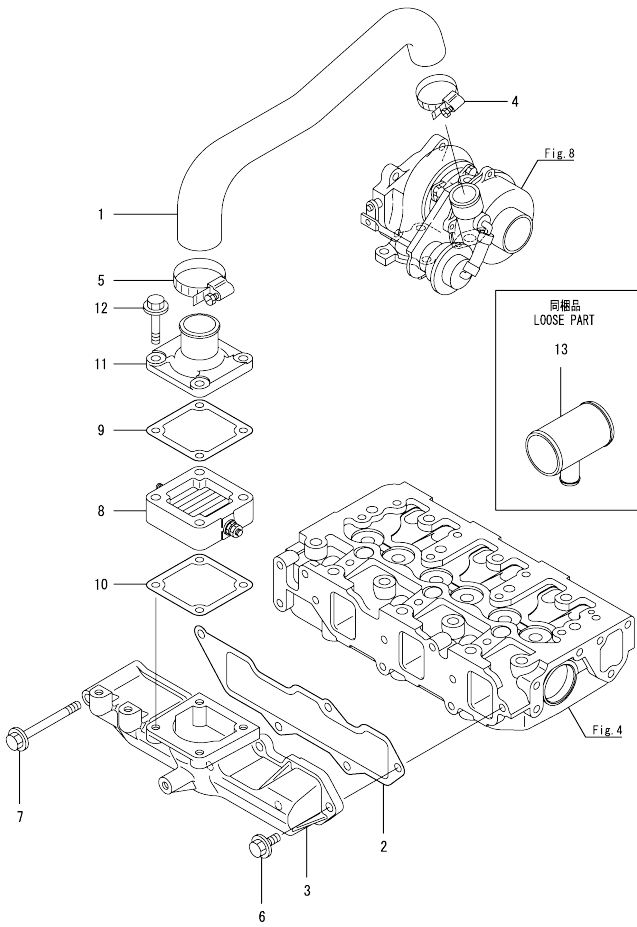
(A)=3TNV84T-BK VX
(B)=
(C)=

(D)=
(E)=
(F)=

No.	Lev.	Parts No.	Description	Q'ty						I	R
				(A)	(B)	(C)	(D)	(E)	(F)		
1	1	129004-11241	SHAFT ASSY, ROCKER	1							
2	2	129004-11251	SHAFT, ROCKER ARM	1							
4	2	119802-11260	SUPPORT, ROCKER ARM	2							
5	2	119802-11270	SUPPORT, ROCKER ARM	2							
6	2	119802-11280	BOLT, STUD	3							
7	2	129150-11280	SPRING, ROCKER	3							
8	2	129004-11650	ARM ASSY, ROCKER	6							
9	3	129150-11230	SCREW, VALVE ADJUST	6							
11	3	129150-11750	NUT, M8	6							
12	1	129150-11370	CAP, VALVE	6							
13	1	129009-11710	HEAD ASSY, CYLINDER	1							
21	2	27241-400000	PLUG, 40	2							
22	2	129795-11120	SPRING, VALVE	6							
23	2	129004-11130	VALVE, SUCTION	3							
24	2	129100-11130	VALVE, EXHAUST	3							
25	2	129795-11180	RETAINER, SPRING	6							
26	2	121400-11340	SEAL, VALVE STEM	3							
27	2	124460-11340	SEAL, VALVE STEM	3							
28	2	27310-080001	COTTER, 8	6							
30	1	119802-11870	PROTECTOR, NOZZLE	3							
31	1	119625-11880	SEAT, NOZZLE	3							
32	1	129004-11900	RETAINER, NOZZLE	3							
33	1	120270-54410	WASHER, INJECTOR	3							
34	1	22351-060012	PIN, SPRING 6.0X12	2							
35	1	26106-080252	BOLT, M8X 25 PLATED	2							
36	1	26106-080352	BOLT, M8X 35 PLATED	3							
37	1	26106-080502	BOLT, M8X 50 PLATED	6							
38	1	124160-01751	CAP, FILLER	1							
39	1	129009-11350	BONNET ASSY, HEAD	1							
40	2	129004-03010	PLATE, BAFFLE	1							
41	2	129150-03070	BAFFLE, BREATHER	1							
42	2	119802-03110	PLATE, DIAPHRAGM	1							
43	2	119802-03121	COVER, DIAPHRAGM	1							
44	2	119802-03130	DIAPHRAGM	1							
45	2	119802-03141	SPRING, DIAPHRAGM	1							
47	2	129004-11310	GASKET, BONNET	1							
48	2	129009-11340	SPRING, PLATE	1							
49	2	22857-500100	SCREW, 5X10	4							
50	2	22857-500100	SCREW, 5X10	4							
51	2	22857-500100	SCREW, 5X10	1							
52	1	124160-11360	KNOB	3							
53	1	24311-000120	O-RING, 1AP12.0	3							
54	1	24311-000320	O-RING, 1AP32.0	1							
55	1	129900-07900	LIFTER, ENGINE	2							
56	1	26106-080162	BOLT, M8X 16 PLATED	4							
57	1	120130-11860	GUIDE, VALVE	3							1
58	1	129150-11810	GUIDE, VALVE	3							1

Remarks
(1)Spare parts.

Fig.5. SUCTION MANIFOLD



(A)=3TNV84T-BKVX
(B)=
(C)=

(D)=
(E)=
(F)=

No.	Lev.	Parts No.	Description	Q'ty					
				(A)	(B)	(C)	(D)	(E)	(F)
1	1	129072-12010	PIPE, AIR INTAKE	1					
2	1	129001-12110	GASKET, MANIFOLD	1					
3	1	129006-12111	MANIFOLD, AIR INTAKE	1					
4	1	23000-041000	CLAMP, 41	1					
5	1	23000-054000	CLAMP, 54	1					
6	1	26106-080202	BOLT, M8X 20 PLATED	4					
7	1	26106-080802	BOLT, M8X 80 PLATED	1					
8	1	129100-77501	HEATER, AIR 11V	1					
9	1	129100-77510	GASKET, AIR HEATER	1					
10	1	129150-77511	GASKET, AIR HEATER	1					
11	1	129165-77520	BEND, AIR HEATER	1					
12	1	26106-080402	BOLT, M8X 40 PLATED	4					
13	1	129509-03050	JOINT, BREATHER	1					

Fig.6. EXHAUST MANIFOLD

(A)=3TNV84T-BKVX
(B)=
(C)=

(D)=
(E)=
(F)=

No.	Lev.	Parts No.	Description	Q'ty						I	R
				(A)	(B)	(C)	(D)	(E)	(F)		
1	1	129103-13101	MANIFOLD, EXHAUST	1							
2	1	129150-13110	GASKET, EXH.MANIFOLD	1							
3	1	129E00-13610	BOLT, M8X50 10.9	2							
4	1	119802-13641	BOLT, M8X60 10.9T	4							
5	1	119131-18320	BOLT, STUD M8X22	3							
6	1	129403-18091	GASKET	1							

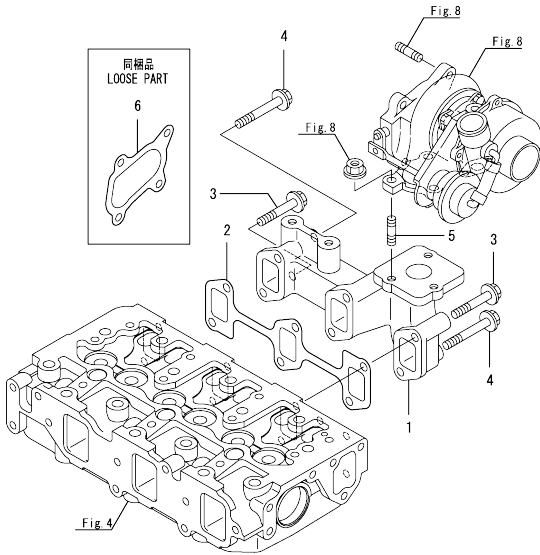
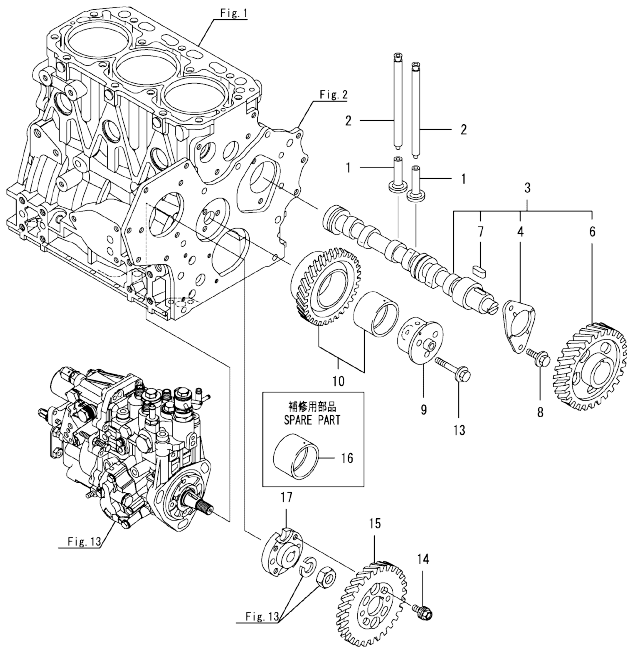


Fig.7. CAMSHAFT & DRIVING GEAR



(A)=3TNV84T-BKVX
(B)=
(C)=

(D)=
(E)=
(F)=

No.	Lev.	Parts No.	Description	Q'ty						I	R
				(A)	(B)	(C)	(D)	(E)	(F)		
1	1	129150-14200	TAPPET	6							
2	1	129150-14400	PUSH-ROD, L=178	6							
3	1	129129-14580	CAMSHAFT ASSY	1							
4	2	129150-02450	BEARING, THRUST	1							
6	2	129150-14101	GEAR, CAMSHAFT	1							
7	2	22512-070140	KEY, 7X 14	1							
8	1	26106-080142	BOLT, M8X 14 PLATED	2							
9	1	119803-25050	SHAFT, IDLE	1							
10	1	119802-25101	GEAR ASSY, IDLE	1							
13	1	26106-080402	BOLT, M8X 40 PLATED	3							
14	1	129150-25301	BOLT	4							
15	1	119802-25901	GEAR, PUMP	1							
16	1	119802-25071	BUSH, IDLE GEAR	1							1
17	1	158552-51151	FLANGE	1							

Remarks

(1)Spare parts.

Fig.8. TURBINE

(A)=3TNV84T-BKVX
(B)=
(C)=

(D)=
(E)=
(F)=

No.	Lev.	Parts No.	Description	Q'ty					
				(A)	(B)	(C)	(D)	(E)	(F)
1	1	129006-18020	TURBINE, RHB31W/G	1					
2	1	129535-18100	GASKET	1					
3	1	129418-18320	BOLT, STUD M8X20	4					
4	1	26306-080002	NUT, M8	3					

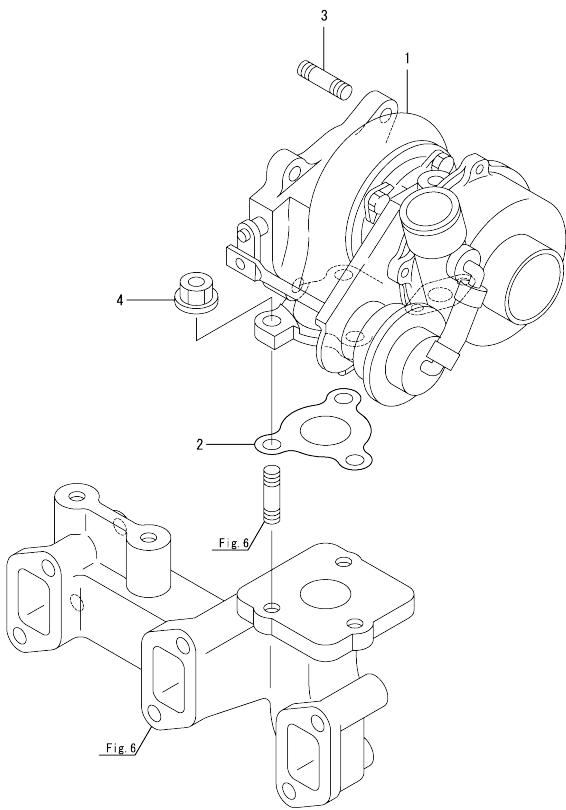
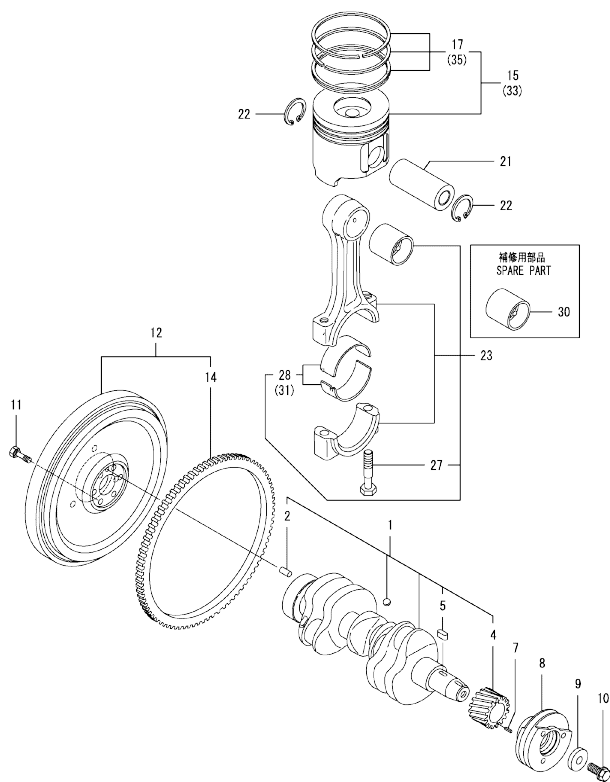


Fig.9. CRANKSHAFT & PISTON



(A)=3TNV84T-BKVX
(B)=
(C)=

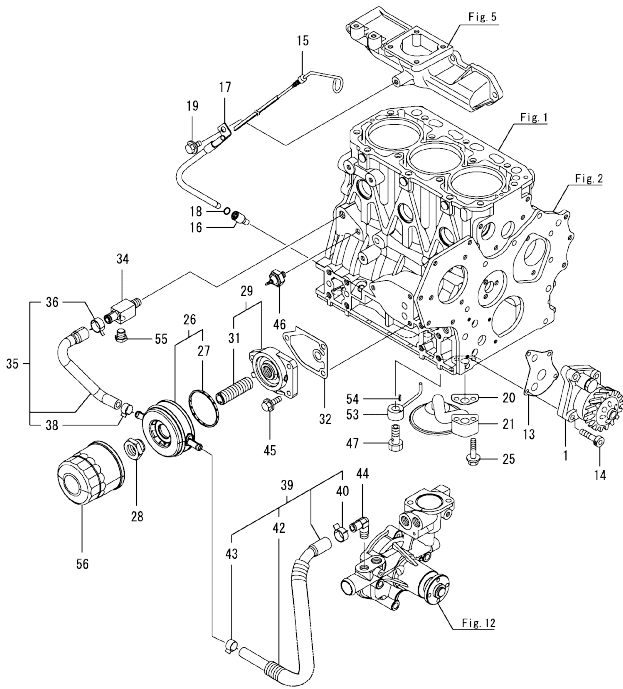
(D)=
(E)=
(F)=

No.	Lev.	Parts No.	Description	Q'ty						I	R
				(A)	(B)	(C)	(D)	(E)	(F)		
1	1	129008-21000	CRANKSHAFT ASSY	1							
2	2	129100-01580	PIN, PARALLEL 8X16	1							
4	2	119803-21200	GEAR, CRANKSHAFT	1							
5	2	22512-070140	KEY, 7X 14	1							
7	1	22351-030010	PIN, SPRING 3.0X10	1							
8	1	129004-21650	V-PULLEY, CRANK 110	1							
9	1	129795-21661	WASHER	1							
10	1	121850-21680	BOLT	1							
11	1	121111-21501	BOLT, FLYWHEEL	6							
12	1	129128-21590	FLYWHEEL ASSY	1							
14	2	119865-21600	GEAR, RING Z=116	1							
15	1	129007-22080	PISTON ASSY	3							
17	2	129007-22500	RING SET, PISTON	3							
21	1	129202-22300	PIN, PISTON D26 L70	3							
22	1	22252-000260	RING, 26	6							
23	1	729402-23100	ROD ASSY, CONNECTING	3							
27	2	121550-23200	BOLT, CONNECTING ROD	6							
28	2	129150-23601	BEARING, CRANK PIN	3							
30	1	129100-23910	BEARING, PISTON PIN	3							1
31	1	129150-23611	BEARING, 0.25 US	3							2
33	1	129007-22900	PISTON ASSY, 0.25 OS	3							3
35	2	129007-22950	RING SET, 0.25 OS	3							3

Remarks

- (1) Spare parts.
- (2) Under-sized (U.S.=0.25) parts.
- (3) Over-sized (O.S.=0.25) parts.

Fig.10. LUB. OIL SYSTEM



(A)=3TNV84T-BKVV
(B)=
(C)=

(D)=
(E)=
(F)=

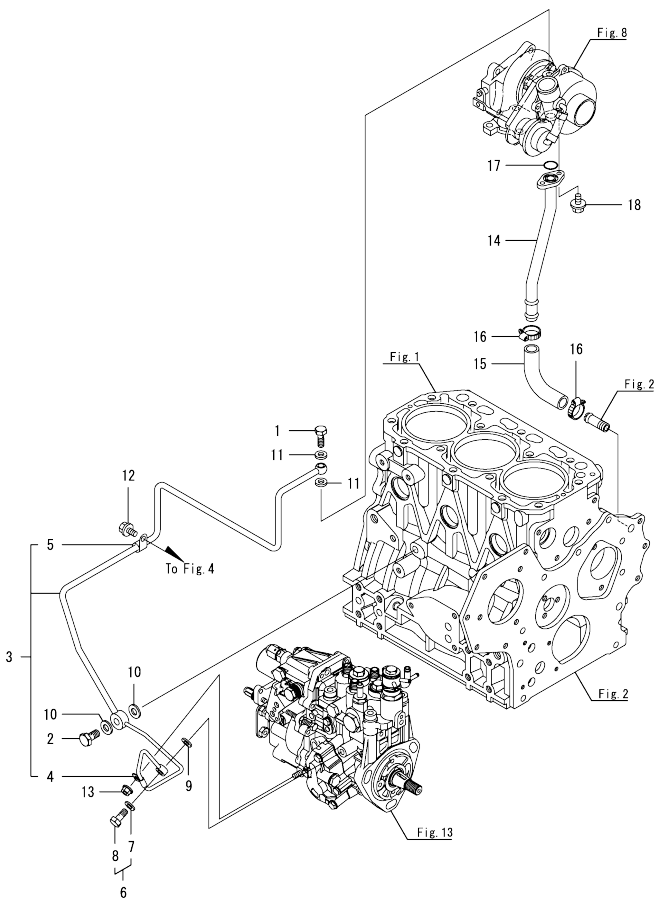
No.	Lev.	Parts No.	Description	Q'ty						I	R
				(A)	(B)	(C)	(D)	(E)	(F)		
1	1	129418-32001	PUMP ASSY, OIL	1							
13	1	129150-32020	GASKET, PUMP	1							
14	1	26450-060252	BOLT, M6X 25	4							
15	1	129602-34801	DIPSTICK, OIL	1							
16	1	119260-34810	GUIDE, DIPSTICK	1							
17	1	119802-34850	GUIDE, DIPSTICK	1							
18	1	24316-240100	O-RING, 4DP10A	1							
19	1	26106-080162	BOLT, M8X 16 PLATED	1							
20	1	129150-35042	GASKET	1							
21	1	129150-35091	PIPE ASSY, OIL INLET	1							
25	1	26106-080352	BOLT, M8X 35 PLATED	2							
26	1	129508-33031	COOLER ASSY, OIL	1							
27	2	129508-33060	PACKING, OIL COOLER	1							
28	1	129417-33111	NUT, OIL COOLER	1							
29	1	129006-35100	BRACKET ASSY, FILTER	1							
31	2	129417-35150	BOLT, STUD M20X67	1							
32	1	129150-35111	GASKET	1							
34	1	129006-44480	JOINT	1							
35	1	129508-49030	HOSE ASSY, WATER	1							
36	2	171008-03990	CLAMP, HOSE 18.5	1							
38	2	23080-015000	CLAMP, 15	1							
39	1	129006-49040	HOSE ASSY, WATER	1							
40	2	171008-03990	CLAMP, HOSE 18.5	1							
42	2	129642-49180	TUBE, CORRUGATED 19	1							
43	2	23080-015000	CLAMP, 15	1							
44	1	129103-49301	ELBOW, PT1/4	1							
45	1	26106-080202	BOLT, M8X 20 PLATED	3							
46	1	114250-39450	SWITCH, HYDRAULIC	1							
47	1	129792-39410	VALVE ASSY, CHECK	3							
53	1	129553-39650	NOZZLE, COOLING	3							
54	1	22351-030010	PIN, SPRING 3.0X10	3							
55	1	171056-49120	PLUG, DRAIN R1/4	1							
56	1	129150-35153	FILTER ASSY, D80X80L	1							1

Remarks

(1)Spare parts.

OCD50-M01890 3TNV84T-BKVX
 Fig.11. LUB. OIL PIPE

OCD50-M01890 Fig.11



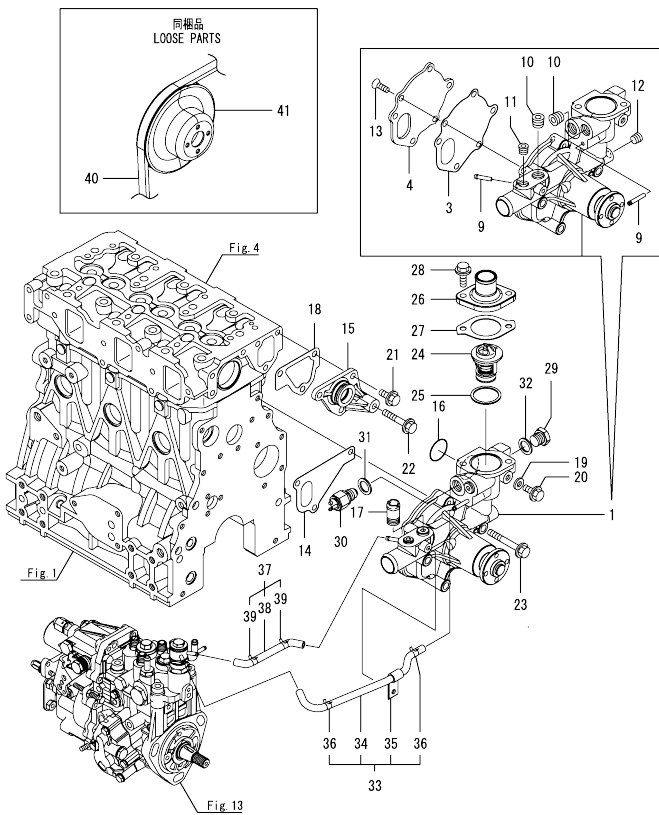
(A)=3TNV84T-BKVX
 (B)=
 (C)=

(D)=
 (E)=
 (F)=

No.	Lev.	Parts No.	Description	Q'ty					
				(A)	(B)	(C)	(D)	(E)	(F)
1	1	105010-39140	BOLT, PIPE JOINT	1					
2	1	124160-39140	BOLT, PIPE JOINT M10	1					
3	1	129033-39450	PIPE ASSY, OIL	1					
4	2	119802-39500	RETAINER, PIPE	1					
5	2	124223-39900	RETAINER	1					
6	1	129005-59830	BOLT ASSY, JOINT M8	1					
7	2	22190-080002	WASHER, SEAL 8	1					
8	2	23857-030000	BOLT, JOINT 3	1					
9	1	22190-080002	WASHER, SEAL 8	1					
10	1	22190-100002	WASHER, SEAL 10	2					
11	1	23414-080000	GASKET, 8X1.0	2					
12	1	26106-080122	BOLT, M8X 12 PLATED	1					
13	1	26366-060002	NUT, M6	1					
14	1	129033-39600	PIPE, OIL	1					
15	1	129266-39620	JOINT, PIPE	1					
16	1	23000-022000	CLAMP, 22	2					
17	1	24316-000160	O-RING, 4DP16.0	1					
18	1	26106-060162	BOLT, M6X 16 PLATED	2					

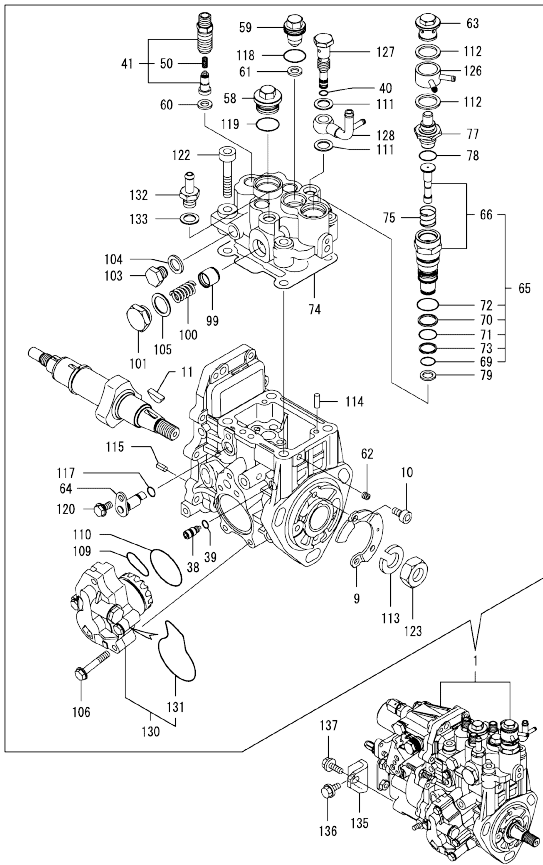
N:Old $\frac{New}{Old}$ New, Q:Old $\frac{New}{Old}$ New, R:Old $\frac{New}{Old}$ New, S:Old $\frac{New}{Old}$ New, W:Add, Z:Discontinued, F:Interchangeable by set, K:Q'ty Change
 Copyright (C) 2016 YANMAR CO., LTD. All Rights Reserved.

Fig.12. COOLING WATER SYSTEM



No.	Lev.	Parts No.	Description	Qty						I	R
				(A)	(B)	(C)	(D)	(E)	(F)		
1	1	129004-42001	PUMP ASSY, WATER	1							
3	2	129100-42051	GASKET, WATER PUMP	1							
4	2	129100-42121	PLATE, PUMP	1							
9	2	119802-49113	JOINT, PIPE	2							
10	2	129916-49740	PLUG, R3/8	2							
11	2	23875-020000	PLUG, R02	1							
12	2	23876-010000	PLUG, R01	1							
13	2	26577-060142	SCREW M 6X 14	3							
14	1	129486-42021	GASKET, WATER PUMP	1							
15	1	129004-42040	JOINT	1							
16	1	129486-42140	O-RING, G30	1							
17	1	121575-49300	JOINT, PIPE	1							
18	1	124395-49840	GASKET, THERMOSTAT	1							
19	1	23414-080000	GASKET, 8X1.0	1							
20	1	26106-080122	BOLT, M8X 12 PLATED	1							
21	1	26106-080162	BOLT, M8X 16 PLATED	3							
22	1	26106-080452	BOLT, M8X 45 PLATED	1							
23	1	26106-080602	BOLT, M8X 60 PLATED	3							
24	1	129155-49801	THERMOSTAT, 71C	1							
25	1	129150-49811	GASKET, THERMOSTAT	1							
26	1	129350-49530	COVER, THERMOSTAT	1							
27	1	129795-49551	GASKET	1							
28	1	26106-080222	BOLT, M8X 22 PLATED	2							
29	1	121450-42450	PLUG, M16	1							
30	1	121250-44901	SWITCH, THERMO 110	1							
31	1	124465-44950	GASKET, 16	1							
32	1	124465-44950	GASKET, 16	1							
33	1	129004-49610	HOSE ASSY, WATER	1							
34	2	129004-49711	HOSE, WATER	1							
35	2	119802-49730	RETAINER, PIPE	1							
36	2	124722-59050	CLAMP, HOSE 9	2							
37	1	129004-49620	HOSE ASSY, WATER	1							
38	2	129004-49721	HOSE, WATER	1							
39	2	124722-59050	CLAMP, HOSE 9	2							
40	1	129612-42290	V-BELT, A37.5	1							
41	1	129120-42351	V-PULLEY, PUMP	1							

Fig.13. FUEL INJECTION PUMP



(A)=3TNV84T-BKVX
(B)=
(C)=

(D)=
(E)=
(F)=

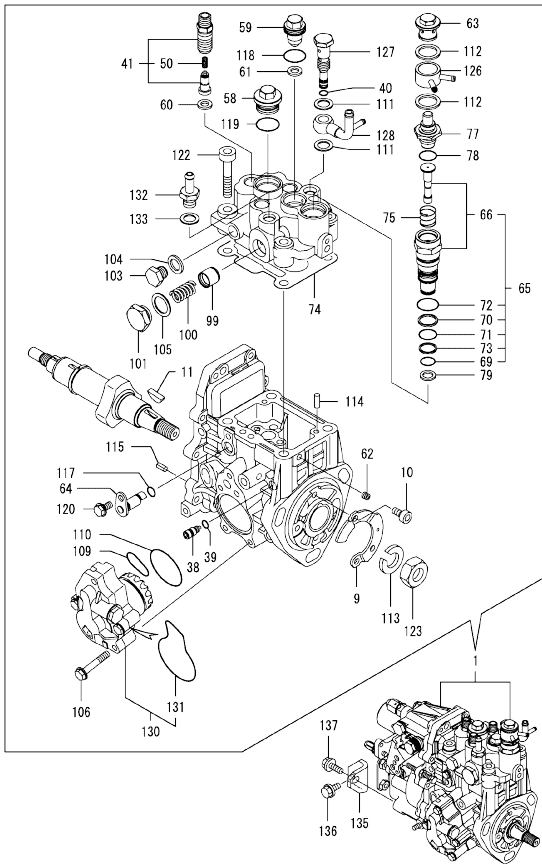
No.	Lev.	Parts No.	Description	Q'ty						I	R	
				(A)	(B)	(C)	(D)	(E)	(F)			
1	1	729085-51300	PUMP ASSY, INJECTION	1							1	
9	2	129008-51900	COVER, PUMP	1								
10	2	129008-51920	BOLT, SOCKET M6X10	2								
11	2	119802-51090	FEATHER KEY, 4X16	1								
38	2	158600-51270	STOPPER, TAPPET	1								
39	2	158563-51281	O-RING, 4D S6	1								
40	2	158563-51281	O-RING, 4D S6	1								
41	2	129009-51390	VALVE ASSY, DELIVERY	3								
50	3	158563-51330	SPRING, DELIVERY	3								
58	2	158601-51550	PLUG, M22	1								
59	2	119802-51560	PLUG, M14	1								
60	2	158552-51571	GASKET, PLUG	3								
61	2	158552-51571	GASKET, PLUG	1								
62	2	158557-51570	PLUG, RACK	1								
63	2	158601-51570	PLUG	1								
64	2	158552-51580	LIFTER, LINK	1								
65	2	119802-51590	TIMER ASSY	1								
66	3	119802-51600	TIMER ASSY	1								
69	3	158553-51670	O-RING	1								
70	3	119802-51680	RING, BACKUP	1								
71	3	119802-51690	O-RING	1								
72	3	24356-190200	O-RING, 4D19020	1								
73	3	24372-000150	RING, BACK UP T2P15	1								
74	2	158552-51600	GASKET	1								
75	2	158553-51630	SPRING, TIMER	1								
77	2	158553-51640	THERMOELEMENT	1								
78	2	158553-51660	O-RING, P14	1								
79	2	158553-51680	GASKET, TIMER	1								
99	2	158601-51770	PISTON, ACCUMULATOR	1								
100	2	158552-51781	SPRING, ACCUMULATOR	1								
101	2	158601-51790	PLUG	1								
103	2	158553-51930	PLUG, M12	1								
104	2	22190-120002	WASHER, SEAL 12	1								
105	2	22190-180002	WASHER, SEAL 18	1								
106	2	158553-51770	BOLT	4								
109	2	158552-52311	O-RING	1								
110	2	158552-52400	O-RING, 4E S42	1								
111	2	22190-120002	WASHER, SEAL 12	2								
112	2	22190-180002	WASHER, SEAL 18	2								
113	2	22217-140000	WASHER, SPRING 14	1								
114	2	22312-050140	PIN, PARALLEL 5X14	2								
115	2	22351-050010	PIN, SPRING 5.0X10	2								
117	2	24311-000070	O-RING, 1AP7.0	1								
118	2	24356-190180	O-RING, 4D19018	1								
119	2	24356-190200	O-RING, 4D19020	1								
120	2	26106-060102	BOLT, M6X 10 PLATED	1								
122	2	26450-080452	BOLT, M8X 45	4								
123	2	26776-140002	NUT, LOCK M14	1								
126	2	158553-51551	JOINT, COOLING WATER	1								
127	2	158601-51650	JOINT, OVER FLOW	1								
128	2	158552-51670	JOINT, OVER FLOW	1								

Remarks

(1)Governor(Fig.14) is incorporated in this Fuel Injection Pump(No.1).

N:Old $\frac{New}{Old}$ New, Q:Old $\frac{New}{Old}$ New, R:Old $\frac{New}{Old}$ New, S:Old $\frac{New}{Old}$ New, W:Add, Z:Discontinued, F:Interchangeable by set, K:Q'ty Change
 ++ CONTINUE ++
 Copyright (C) 2016 YANMAR CO., LTD. All Rights Reserved.

Fig.13. FUEL INJECTION PUMP



(A)=3TNV84T-BKVX
(B)=
(C)=

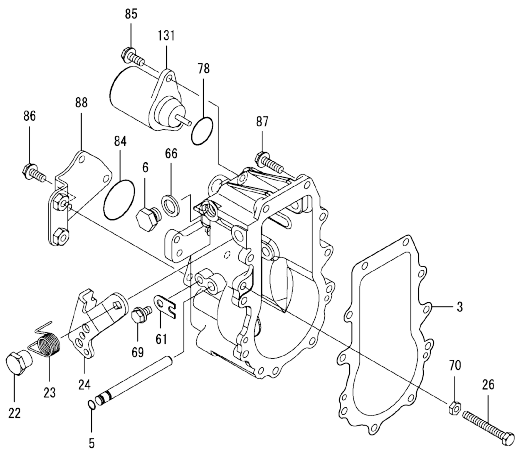
(D)=
(E)=
(F)=

No.	Lev.	Parts No.	Description	Q'ty						I	R
				(A)	(B)	(C)	(D)	(E)	(F)		
130	2	158552-52100	PUMP ASSY, FUEL FEED	1							
131	3	158552-52500	O-RING	1							
132	2	119934-59910	JOINT, PIPE	1							
133	2	22190-120002	WASHER, SEAL 12	1							
135	1	119802-51250	RETAINER, PUMP	1							
136	1	26106-080162	BOLT, M8X 16 PLATED	1							
137	1	26106-080202	BOLT, M8X 20 PLATED	1							

Remarks

(1)Governor(Fig.14) is incorporated in this Fuel Injection Pump(No.1).

Fig.14. GOVERNOR



(A)=3TNV84T-BKVX
(B)=
(C)=

(D)=
(E)=
(F)=

No.	Lev.	Parts No.	Description	Q'ty						I	R
				(A)	(B)	(C)	(D)	(E)	(F)		
3	2	158553-61050	GASKET	1							
5	2	129155-51280	O-RING, S6	1							
6	2	158553-51930	PLUG, M12	1							
22	2	129255-61410	NUT, M8	1							
23	2	119807-61420	SPRING, RETURN	1							
24	2	158552-61441	LEVER, REGULATOR	1							
26	2	129155-61460	BOLT, LIMITING	1							
61	2	119660-61901	STOPPER, SHAFT	1							
66	2	22190-120002	WASHER, SEAL 12	1							
69	2	26106-060102	BOLT, M6X 10 PLATED	1							
70	2	26756-060002	NUT, LOCK M6	1							
78	2	158552-61900	O-RING	1							
84	2	24341-000360	O-RING, 1AS36.0	1							
85	2	26106-060142	BOLT, M6X 14 PLATED	2							
86	2	26106-060142	BOLT, M6X 14 PLATED	3							
87	2	26106-060202	BOLT, M6X 20 PLATED	10							
88	2	129044-61060	COVER, GOVERNOR CASE	1							
131	2	119653-77950	SOLENOID, STOP	1							

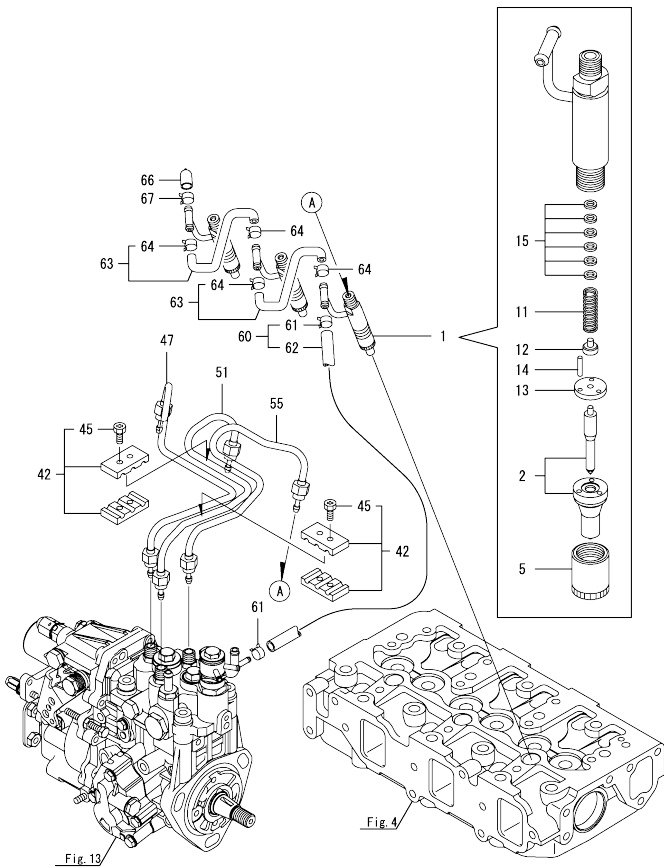
Remarks

* This figure(Governor) is incorporated in the Fuel Injection Pump(Fig.13).

Fig.15. FUEL INJECTION VALVE

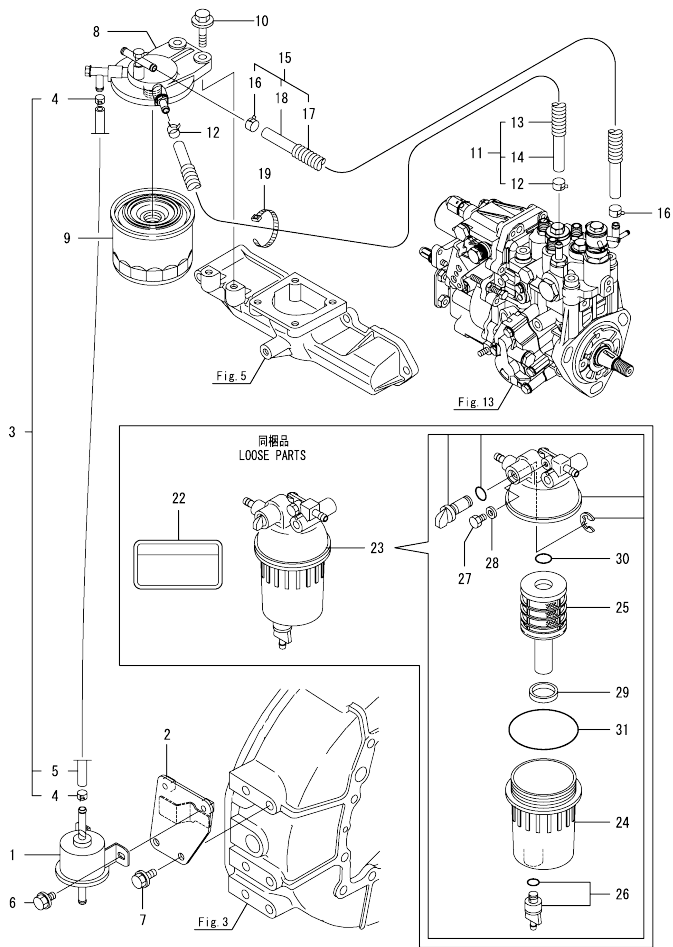
(A)=3TNV84T-BKVX
 (B)=
 (C)=

(D)=
 (E)=
 (F)=



No.	Lev.	Parts No.	Description	Q'ty						
				(A)	(B)	(C)	(D)	(E)	(F)	
1	1	729004-53200	VALVE ASSY,INJECTION	3						
2	2	129004-53001	NOZZLE ASSY, F.I.	3						
5	2	114250-53080	NUT, NOZZLE	3						
11	2	114250-53120	SPRING, NOZZLE	3						
12	2	114250-53130	SEAT, SPRING	3						
13	2	114250-53140	SPACER	3						
14	2	114250-53210	PIN	6						
15	2	119803-53400	SHIM SET	3						
42	1	129150-59120	RETAINER, PIPE	2						
45	2	129150-59131	BOLT, M4X14	4						
47	1	129004-59811	PIPE ASSY, INJECTION	1						
51	1	129004-59821	PIPE ASSY, INJECTION	1						
55	1	129004-59831	PIPE ASSY, INJECTION	1						
60	1	119802-59550	HOSE ASSY, RETURN	1						
61	2	124722-59050	CLAMP, HOSE 9	2						
62	2	119802-59560	HOSE, FUEL RETURN	1						
63	1	129486-59551	HOSE ASSY, RETURN	2						
64	2	124722-59050	CLAMP, HOSE 9	4						
66	1	119593-59581	CAP	1						
67	1	124060-77680	CLAMP, HOSE 10	1						

Fig.16. FUEL PIPE



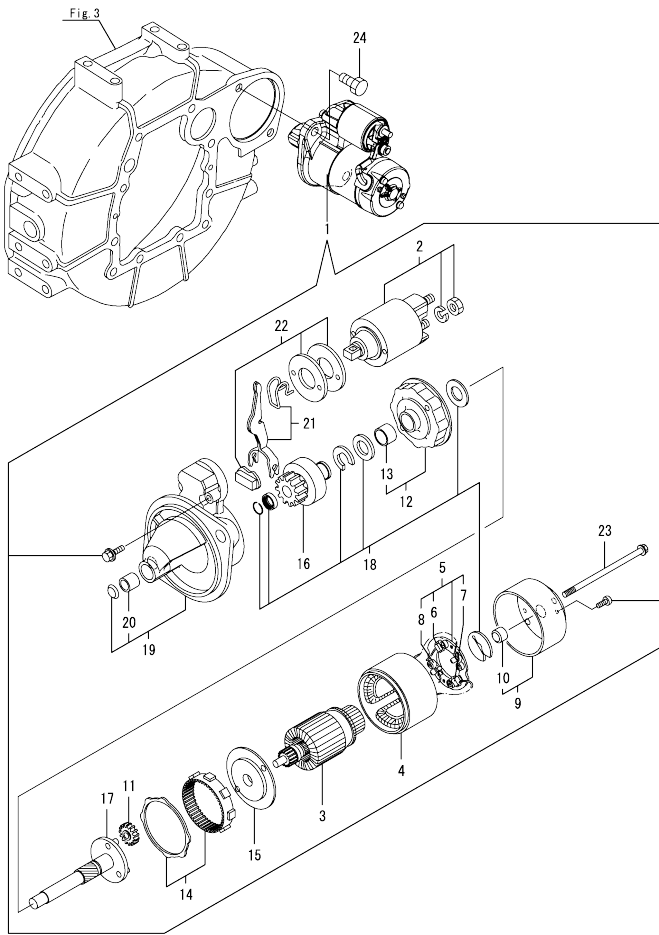
(A)=3TNV84T-BKVX
(B)=
(C)=

(D)=
(E)=
(F)=

No.	Lev.	Parts No.	Description	Q'ty						I	R
				(A)	(B)	(C)	(D)	(E)	(F)		
1	1	119225-52102	PUMP, FUEL FEED	1							
2	1	129612-52110	BRACKET, PUMP	1							
3	1	129240-59010	PIPE ASSY, FUEL	1							
4	2	124766-59050	CLAMP, HOSE 11.5	2							
5	2	129640-59210	PIPE, FUEL	1							
6	1	26106-060122	BOLT, M6X 12 PLATED	2							
7	1	26106-080142	BOLT, M8X 14 PLATED	2							
8	1	129004-55612	BRACKET, FILTER	1							
9	1	119802-55801	FILTER, FUEL	1							
10	1	26106-080302	BOLT, M8X 30 PLATED	2							
11	1	129044-59010	HOSE ASSY, D13XL220	1							
12	2	124766-59050	CLAMP, HOSE 11.5	2							
13	2	129044-59100	TUBE, CORRUGATED 15	1							
14	2	129044-59510	HOSE, FUEL L=220	1							
15	1	129950-59311	HOSE ASSY, FUEL	1							
16	2	124766-59050	CLAMP, HOSE 11.5	2							
17	2	129961-59110	TUBE, CORRUGATED 15	1							
18	2	105025-59580	HOSE, FUEL	1							
19	1	121750-59890	BAND, NYLON	1							
22	1	114110-07761	LABEL, FUEL OIL CAUT	1							
23	1	129242-55701	SEPARATOR ASSY,WATER	1							
24	2	129242-55720	CUP, SEPARATOR	1							
25	2	129242-55730	ELEMENT, FUEL	1							
26	2	129242-55740	PLUG, DRAIN	1							
27	2	129242-55750	VALVE, AIR VENT	1							
28	2	129242-55760	GASKET, PLUG	1							
29	2	129242-55770	FLOAT	1							
30	2	24311-000160	O-RING, 1AP16.0	1							
31	2	24321-000750	O-RING, 1AG75.0	1							

N:Old $\frac{New}{Old}$ New, Q:Old $\frac{New}{Old}$ New, R:Old $\frac{New}{Old}$ New, S:Old $\frac{New}{Old}$ New, W:Add, Z:Discontinued, F:Interchangeable by set, K:Q'ty Change
Copyright (C) 2016 YANMAR CO., LTD. All Rights Reserved.

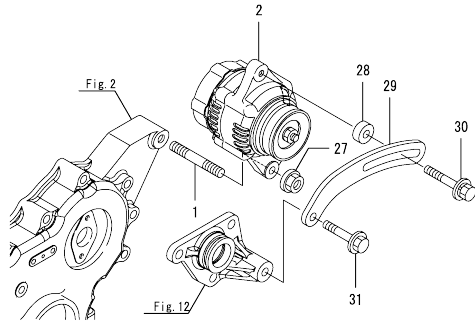
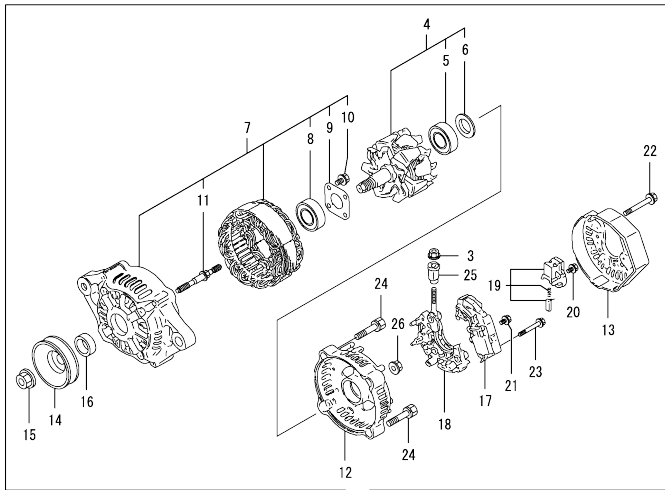
Fig.17. STARTER MOTOR



(A)=3TNV84T-BKVB
(B)=
(C)=

(D)=
(E)=
(F)=

No.	Lev.	Parts No.	Description	Q'ty						I	R
				(A)	(B)	(C)	(D)	(E)	(F)		
1	1	129242-77010	STARTER ASSY	1							
2	2	129698-77020	SWITCH ASSY, MAGNET	1							
3	2	129242-77100	ARMATURE ASSY	1							
4	2	129242-77110	YOKE ASSY	1							
5	2	129242-77120	HOLDER ASSY, BRUSH	1							
6	3	129242-77130	BRUSH	2							
7	3	129242-77140	BRUSH SET	1							
8	3	129242-77150	SPRING, BRUSH	4							
9	2	129242-77160	COVER ASSY	1							
10	3	129242-77170	BEARING, COVER	1							
11	2	118400-77170	GEAR, PLANETARY	3							
12	2	129242-77180	BRACKET, CENTER	1							
13	3	129698-77190	BRACKET, CENTER	1							
14	2	129698-77200	GEAR, INTERNAL	1							
15	2	129242-77210	BRACKET, CENTER	1							
16	2	129698-77220	PINION ASSY	1							
17	2	129698-77230	SHAFT, PINION	1							
18	2	129698-77250	WASHER SET	1							
19	2	129242-77260	CASE ASSY, GEAR	1							
20	3	X2114535200	BEARING, STARTER	1							
21	2	129242-77270	LEVER SET	1							
22	2	129242-77280	COVER KIT, DUST	1							
23	2	124195-77770	BOLT, THROUGH	2							
24	1	26116-120202	BOLT, M12X 20 PLATED	2							



(A)=3TNV84T-BKVX
 (B)=
 (C)=

(D)=
 (E)=
 (F)=

No.	Lev.	Parts No.	Description	Q'ty						I	R
				(A)	(B)	(C)	(D)	(E)	(F)		
1	1	129795-01900	BOLT, STUD M10X33	1							
2	1	119626-77210	ALTERNATOR, 12V-55A	1							
3	2	X9490561001	NUT	1							
4	2	129052-77380	ROTOR ASSY	1							
5	3	123501-79240	BEARING, BALL	1							
6	3	119620-79250	COVER, BEARING	1							
7	2	129052-77422	FRAME ASSY	1							
8	3	119620-79200	BEARING, BALL	1							
9	3	119620-79210	RETAINER	1							
10	3	119620-79220	SCREW	4							
11	3	119620-79230	BOLT, STUD	2							
12	2	128401-77440	COVER	1							
13	2	119626-77450	FRAME	1							
14	2	119620-77461	PULLEY, GENERATOR	1							
15	2	119620-77471	NUT	1							
16	2	119620-77490	COLLAR	1							
17	2	129423-77710	REGULATOR ASSY	1							
18	2	129052-79260	HOLDER	1							
19	2	129052-79270	HOLDER, BRUSH	1							
20	2	119620-79290	SCREW	6							
21	2	119620-79300	SCREW	1							
22	2	119620-79310	BOLT	3							
23	2	119620-79320	SCREW	2							
24	2	119620-79330	BOLT	2							
25	2	119620-79340	BUSH, INSULATION	1							
26	2	119620-79350	NUT	2							
27	1	26306-100002	NUT, M10	1							
28	1	119940-77270	SPACER	1							
29	1	119802-77330	ADJUSTER, BELT	1							
30	1	129972-77341	BOLT, ADJUST L=50	1							
31	1	26106-080452	BOLT, M8X 45 PLATED	1							

Parts No. Index

Parts No.	Fig. No.	Ref. No.
105010-39140	11	1
105025-59580	16	18
114110-07761	16	22
114250-39450	10	46
114250-53080	15	5
114250-53120	15	11
114250-53130	15	12
114250-53140	15	13
114250-53210	15	14
118400-77170	17	11
119131-18320	6	5
119225-52102	16	1
119260-34810	10	16
119593-59581	15	66
119609-32040	2	9
119620-01750	3	3
119620-77461	18	14
119620-77471	18	15
119620-77490	18	16
119620-79200	18	8
119620-79210	18	9
119620-79220	18	10
119620-79230	18	11
119620-79250	18	6
119620-79290	18	20
119620-79300	18	21
119620-79310	18	22
119620-79320	18	23
119620-79330	18	24
119620-79340	18	25
119620-79350	18	26
119625-11880	4	31
119626-77210	18	2
119626-77450	18	13
119640-01640	3	7
119653-77950	14	131
119660-61901	14	61
119802-01561	2	5
119802-03110	4	42
119802-03121	4	43
119802-03130	4	44
119802-03141	4	45
119802-11260	4	4
119802-11270	4	5
119802-11280	4	6
119802-11870	4	30
119802-13641	6	4
119802-25071	7	16
119802-25101	7	10
119802-25901	7	15

Parts No.	Fig. No.	Ref. No.
119802-34850	10	17
119802-39500	11	4
119802-49113	12	9
119802-49730	12	35
119802-51090	13	11
119802-51250	13	135
119802-51560	13	59
119802-51590	13	65
119802-51600	13	66
119802-51680	13	70
119802-51690	13	71
119802-55801	16	9
119802-59550	15	60
119802-59560	15	62
119802-77330	18	29
119803-21200	9	4
119803-25050	7	9
119803-53400	15	15
119807-61420	14	23
119865-21600	9	14
119934-01800	2	3
119934-59910	13	132
119940-77270	18	28
120130-11860	4	57
120270-54410	4	33
121023-01551	2	21
121111-21501	9	11
121250-44901	12	30
121400-11340	4	26
121450-42450	12	29
121550-23200	9	27
121575-49300	12	17
121750-59890	16	19
121850-21680	9	10
121850-51960	2	11
123501-79240	18	5
124060-01050	1	11
124060-77680	15	67
124160-01751	2	6
	4	38
124160-01910	1	12
	13	
124160-11360	4	52
124160-39140	11	2
124195-77770	17	23
124223-39900	11	5
124240-01871	2	7
124395-49840	12	18
124460-11340	4	27
124465-44950	12	31

Parts No.	Fig. No.	Ref. No.
124465-44950	12	32
124722-59050	12	36
	15	39
	15	61
	15	64
124766-59050	16	4
	12	12
	16	16
128401-77440	18	12
129001-01250	1	4
129001-02931	1	29
129001-12110	5	2
129002-01331	1	28
129004-03010	4	40
129004-11130	4	23
129004-11241	4	1
129004-11251	4	2
129004-11310	4	47
129004-11650	4	8
129004-11900	4	32
129004-21650	9	8
129004-42001	12	1
129004-42040	12	15
129004-49610	12	33
129004-49620	12	37
129004-49711	12	34
129004-49721	12	38
129004-53001	15	2
129004-55612	16	8
129004-59811	15	47
129004-59821	15	51
129004-59831	15	55
129005-59830	11	6
129006-12111	5	3
129006-18020	8	1
129006-35100	10	29
129006-44480	10	34
129006-49040	10	39
129007-22080	9	15
129007-22500	9	17
129007-22900	9	33
129007-22950	9	35
129008-21000	9	1
129008-51900	13	9
129008-51920	13	10
129009-01520	2	4
129009-11340	4	48
129009-11350	4	39
129009-11710	4	13
129009-51390	13	41

Parts No.	Fig. No.	Ref. No.
129033-39450	11	3
129033-39600	11	14
129044-59010	16	11
129044-59100	16	13
129044-59510	16	14
129044-61060	14	88
129052-77380	18	4
129052-77422	18	7
129052-79260	18	18
129052-79270	18	19
129072-12010	5	1
129100-01580	3	1
	9	2
129100-01640	3	16
129100-01730	3	10
129100-11130	4	24
129100-23910	9	30
129100-42051	12	3
129100-42121	12	4
129100-77501	5	8
129100-77510	5	9
129103-13101	6	1
129103-49301	10	44
129120-42351	12	41
129121-01540	3	6
129122-44480	2	10
129128-21590	9	12
129129-14580	7	3
129150-01200	1	27
129150-02020	1	6
129150-02450	7	4
129150-02871	1	32
129150-02931	1	24
129150-02941	1	35
129150-03070	4	41
129150-11230	4	9
129150-11280	4	7
129150-11370	4	12
129150-11750	4	11
129150-11810	4	58
129150-13110	6	2
129150-14101	7	6
129150-14200	7	1
129150-14400	7	2
129150-23601	9	28
129150-23611	9	31
129150-25301	7	14
129150-32020	10	13
129150-35042	10	20

Parts No. Index

Parts No.	Fig. No.	Ref. No.
129150-35091	10	21
129150-35111	10	32
129150-35153	10	56
129150-49811	12	25
129150-59120	15	42
129150-59131	15	45
129150-77511	5	10
129155-49801	12	24
129155-51280	14	5
129155-61460	14	26
129165-77520	5	11
129202-22300	9	21
129240-59010	16	3
129242-55701	16	23
129242-55720	16	24
129242-55730	16	25
129242-55740	16	26
129242-55750	16	27
129242-55760	16	28
129242-55770	16	29
129242-77010	17	1
129242-77100	17	3
129242-77110	17	4
129242-77120	17	5
129242-77130	17	6
129242-77140	17	7
129242-77150	17	8
129242-77160	17	9
129242-77170	17	10
129242-77180	17	12
129242-77210	17	15
129242-77260	17	19
129242-77270	17	21
129242-77280	17	22
129255-61410	14	22
129266-39620	11	15
129350-49530	12	26
129403-18091	6	6
129417-33111	10	28
129417-35150	10	31
129418-18320	8	3
129418-32001	10	1
129423-77710	18	17
129486-01670	3	19
129486-42021	12	14
129486-42140	12	16
129486-59551	15	63
129508-33031	10	26
129508-33060	10	27
129508-49030	10	35

Parts No.	Fig. No.	Ref. No.
129509-03050	5	13
129535-18100	8	2
129553-39650	10	53
129602-34801	10	15
129612-01600	3	2
129612-42290	12	40
129612-52110	16	2
129640-59210	16	5
129642-49180	10	42
129698-77020	17	2
129698-77190	17	13
129698-77200	17	14
129698-77220	17	16
129698-77230	17	17
129698-77250	17	18
129792-39410	10	47
129795-01780	3	18
129795-01900	18	1
129795-01950	2	8
129795-02412	1	9
129795-11120	4	22
129795-11180	4	25
129795-21661	9	9
129795-49551	12	27
129900-07900	4	55
129916-49740	12	10
129950-59311	16	15
129961-59110	16	17
129972-77341	18	30
129E00-13610	6	3
158552-51151	7	17
158552-51571	13	60
		61
158552-51580	13	64
158552-51600	13	74
158552-51670	13	128
158552-51781	13	100
158552-52100	13	130
158552-52311	13	109
158552-52400	13	110
158552-52500	13	131
158552-61441	14	24
158552-61900	14	78
158553-51551	13	126
158553-51630	13	75
158553-51640	13	77
158553-51660	13	78
158553-51670	13	69
158553-51680	13	79
158553-51770	13	106

Parts No.	Fig. No.	Ref. No.
158553-51930	13	103
	14	6
158553-61050	14	3
158557-51570	13	62
158563-51281	13	39
		40
158563-51330	13	50
158600-51270	13	38
158601-51550	13	58
158601-51570	13	63
158601-51650	13	127
158601-51770	13	99
158601-51790	13	101
171008-03990	10	36
		40
171051-01921	1	5
171056-49120	10	55
22190-080002	2	12
		13
	11	7
		9
22190-100002	11	10
22190-120002	13	104
		111
		133
	14	66
22190-180002	13	105
		112
22190-220002	3	9
22217-140000	13	113
22252-000260	9	22
22312-050140	13	114
22351-030010	9	7
	10	54
22351-050010	13	115
22351-060012	4	34
22512-070140	7	7
	9	5
22857-500100	4	49
		50
		51
23000-022000	11	16
23000-041000	5	4
23000-054000	5	5
23080-015000	10	38
		43
23414-080000	11	11
	12	19
23857-030000	11	8
23875-020000	12	11

Parts No.	Fig. No.	Ref. No.
23876-010000	12	12
24311-000070	13	117
24311-000120	4	53
24311-000160	16	30
24311-000320	2	14
	4	54
24316-000160	11	17
24316-240100	10	18
24321-000750	16	31
24341-000240	2	22
24341-000360	14	84
24356-190180	13	118
24356-190200	13	72
		119
24372-000150	13	73
26106-060102	13	120
	14	69
26106-060122	16	6
26106-060142	14	85
		86
26106-060162	2	23
	11	18
26106-060202	14	87
26106-080122	11	12
	12	20
26106-080142	7	8
	16	7
26106-080162	2	15
		16
	3	11
	4	56
	10	19
	12	21
	13	136
26106-080202	5	6
	10	45
	13	137
26106-080222	12	28
26106-080252	3	12
	4	35
26106-080302	2	17
	16	10
26106-080352	3	20
	4	36
	10	25
26106-080402	5	12
	7	13
26106-080452	3	13
	12	22
	18	31

Parts No. Index

Parts No.	Fig. No.	Ref. No.
26106-080502	3	14
	4	37
26106-080552	2	18
26106-080602	12	23
26106-080802	5	7
26106-080852	2	19
26116-120202	17	24
26206-100252	3	4
26206-100302	3	5
26306-080002	2	20
	8	4
26306-100002	18	27
26366-060002	11	13
26450-060252	10	14
26450-080452	13	122
26577-060142	12	13
26756-060002	14	70
26776-140002	13	123
27241-120000	1	14
27241-300000	1	10
27241-400000	4	21
27310-080001	4	28
719803-01500	2	1
729004-53200	15	1
729006-01560	1	1
729085-51300	13	1
729402-23100	9	23
X2114535200	17	20
X9490561001	18	3

Parts No.	Fig. No.	Ref. No.
-----------	----------	----------

Parts No.	Fig. No.	Ref. No.
-----------	----------	----------

Parts No.	Fig. No.	Ref. No.
-----------	----------	----------