

0CW10-M47400EN

P R E F A C E

1. This parts catalog is the 1st edition of 3TNV84T-BKSA, 3TNV84T-BKSAT for Yanmar America.

Pub. No. : 0CW10-G47400

Published : November, 2008

2. Model name

Engine model	Vehicle	Vehicle made by
3TNV84T-BKSA 3TNV84T-BKSAT	SMALL VERTICAL	Yanmar America

Directions for the Parts Catalog.

1. This Parts Catalog shows both standard and optional parts.
2. Parts may change without prior notice.
3. The following is an example of the Parts Catalog format.

REF.	LEV.	PARTS NO.	DESCRIPTION	Q'TY						I	R
				(A)	(B)	(C)	(D)	(E)	(F)		
1	1	729595-51390	FUEL INJECTION PUMP	1	1	1	1	1			1
1-1	1	729595-51391	FUEL INJECTION PUMP	1	1	1	1	1		N	1
		(A=E00185) (B=E00200)									
3	2	26022-060162	SCREW M 6X 16	9	9	9	9	9			
3-1	2	26022-060162	SCREW M 6X 16	4	4	4	4	4		K	
		(A=E00156) (B=E00156) (C=E00156) (D=E00156) (E=E00156)									
4	2	129470-51040	CAMSHAFT	1	1	1	1	1			
5	2	122710-51050	BEARING, ROLLER	2	2	2	2	2			
6	2	129470-51060	RETAINER	1	1	1	1	1			

Remarks
(1) BOOST COMPEMSATOR TYPE. OPTIONAL PART, TO E00155,(4JH-DT, 4JH-DTZ

① Ref. No.

The Ref. No. listed may not be in accordance with the illustration Ref. No.

(Ex.) Illustration No. List Ref No.

1 1 (Before change) → 1-1 (After change)

For interchangeable symbols N, R and K, illustrations for new parts may be abbreviated.

② Lev. (Level)

Level indication

The numbers below indicate the level of relativity towards the main part.

1 ---- Main parts (Assembly parts)

2 ---- Sub component included in " 1 ".

3 ---- Sub component included in " 2 ".

Note) Parts that are not for sale are partially illustrated but not listed.

③ Interchangeability Symbol

When a part change takes place, one of the following interchangeability symbols is indicated beside the part.

Symbol	Interchangeability	Contents note
N	Old $\begin{matrix} \leftarrow \text{Yes} \\ \text{No} \rightarrow \end{matrix}$ New	New Part is interchangeable for Old Part but Old Part is not interchangeable for New Part.
Q	Old $\begin{matrix} \leftarrow \text{No} \\ \text{Yes} \rightarrow \end{matrix}$ New	New Part is not interchangeable for Old Part but Old Part is interchangeable for New Part.
R	Old $\begin{matrix} \leftarrow \text{Yes} \\ \text{Yes} \rightarrow \end{matrix}$ New	New/ Old Parts are both interchangeable.
S	Old $\begin{matrix} \leftarrow \text{No} \\ \text{No} \rightarrow \end{matrix}$ New	New/ Old Parts are both not interchangeable.
W		Part newly added.
Z		Part discontinued.
F		Not interchangeable by a single part but interchangeable together with related parts.
K		Changes only for used parts quantities.

④ Effective Machine No.

When a part changes, the effective Machine No. will be indicated in the (A)-(F) column.

Product Symbol	Product No.	Product Symbol	Product No.
C	Clutch No. Compressor No.	F	Machine No. (Agricultural Equip.)
D	Drive No.	M	Machine No.
E	Engine No.		

Note 1) A date may follow the symbol. (Ex.) 1996.01

Note 2) "XXXXX" and "ZZZZZ" are for parts that could not be predicted or for engine models that could not be identified.

Note 3) (A=E00185) is the E (Engine Serial Number) for the column (A) model (in this case 4JH-DT) after the parts design change.

⑤ Remarks

Figures or alphabets (symbols) are entered in the remarks column.

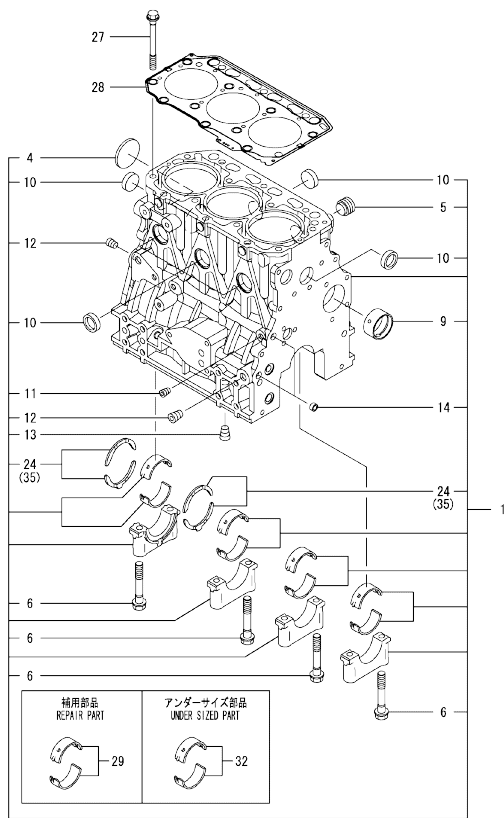
The comments (remarks) on parts that are indicated at the bottom of the illustration are the same symbols as those stated above.

Contents

0CW10-M47400

Fig. No.	Fig. Name	Fig. No.	Fig. Name
3TNV84T-BKSA			
1.	CYLINDER BLOCK		
2.	GEAR HOUSING		
3.	FLYWHEEL HOUSING & OIL SUMP		
4.	CYLINDER HEAD & BONNET		
5.	SUCTION MANIFOLD		
6.	EXHAUST MANIFOLD		
7.	CAMSHAFT & DRIVING GEAR		
8.	TURBINE		
9.	CRANKSHAFT & PISTON		
10.	LUB.OIL SYSTEM		
11.	LUB.OIL LINE		
12.	COOLING WATER SYSTEM		
13.	FUEL INJECTION PUMP		
14.	GOVERNOR		
15.	FUEL INJECTION VALVE		
16.	FUEL LINE		
17.	STARTING MOTOR		
18.	GENERATOR		
19.	GASKET SET		

Fig.1. CYLINDER BLOCK



(A)=3TNV84T-BKSA
(B)=3TNV84T-BKSAT
(C)=

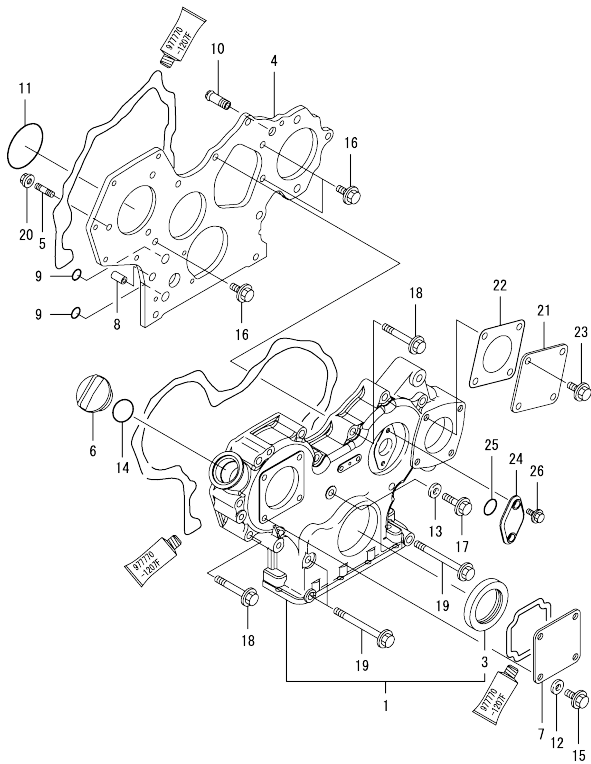
(D)=
(E)=
(F)=

No.	Lev.	Parts No.	Description	Q'ty						I	R
				(A)	(B)	(C)	(D)	(E)	(F)		
1	1	729006-01560	BLOCK ASSY, CYLINDER	1	1						
4	2	129001-01250	PLUG, 50	1	1						
5	2	171051-01921	PLUG, NPTF1	1	1						
6	2	129150-02020	BOLT, METAL CAP	8	8						
9	2	129795-02412	BUSH, CAMSHAFT	1	1						
10	2	27241-300000	PLUG 30	6	6						
11	2	124060-01050	PLUG, PT1/8	1	1						
12	2	124160-01910	PLUG, PT1/4	2	2						
13	2	124160-01910	PLUG, PT1/4	1	1						
14	2	27241-120000	PLUG, 12	2	2						
24	2	129150-02931	BEARING, THRUST	2	2						
27	1	129150-01200	BOLT, HEAD	14	14						
28	1	129002-01331	GASKET, HEAD	1	1						
29	1	129001-02931	BEARING, MAIN	4	4						1
32	1	129150-02871	BEARING, 0.25 US	4	4						2
35	1	129150-02941	BEARING, THRUST 0.25	1	1						3

Remarks

- (1) REPAIR PART.
- (2) UNDER-SIZED(U.S=0.25)PART.
- (3) OVER-SIZED(O.S=0.25)PART.

Fig.2. GEAR HOUSING

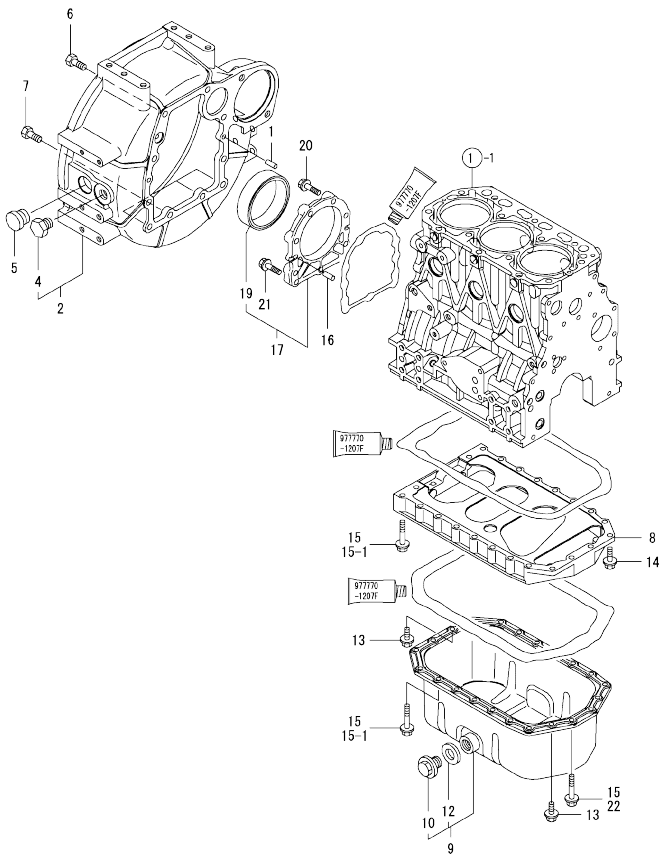


(A)=3TNV84T-BKSA
(B)=3TNV84T-BKSAT
(C)=

(D)=
(E)=
(F)=

No.	Lev.	Parts No.	Description	Q'ty						
				(A)	(B)	(C)	(D)	(E)	(F)	
1	1	729604-01500	CASE ASSY, GEAR	1	1					
3	2	119934-01800	SEAL, OIL	1	1					
4	1	129009-01540	FLANGE, GEAR CASE	1	1					
5	1	119802-01561	STUD, M8X25	3	3					
6	1	124160-01751	COVER, FILLER	1	1					
7	1	124240-01871	COVER	1	1					
8	1	129795-01950	PIPE, KNOCK L=18	2	2					
9	1	119609-32040	O-RING, P16	2	2					
10	1	129122-44480	JOINT	1	1					
11	1	121850-51960	O-RING	1	1					
12	1	22190-080002	WASHER, SEAL 6	4	4					
13	1	22190-080002	WASHER, SEAL 6	1	1					
14	1	24311-000320	O-RING, 1AP32.0	1	1					
15	1	26106-080162	BOLT, M8X 16 PLATED	4	4					
16	1	26106-080162	BOLT, M8X 16 PLATED	3	3					
17	1	26106-080302	BOLT, M8X 30 PLATED	1	1					
18	1	26106-080552	BOLT, M8X 55 PLATED	11	11					
19	1	26106-080852	BOLT, M8X 85 PLATED	3	3					
20	1	26306-080002	NUT, M8	3	3					
21	1	124240-01871	COVER	1	1					
22	1	124240-01883	GASKET	1	1					
23	1	26106-080162	BOLT, M8X 16 PLATED	4	4					
24	1	121023-01551	COVER	1	1					
25	1	24341-000240	O-RING, 1AS24.0	1	1					
26	1	26106-060162	BOLT, M6X 16 PLATED	2	2					

Fig.3. FLYWHEEL HOUSING & OIL SUMP

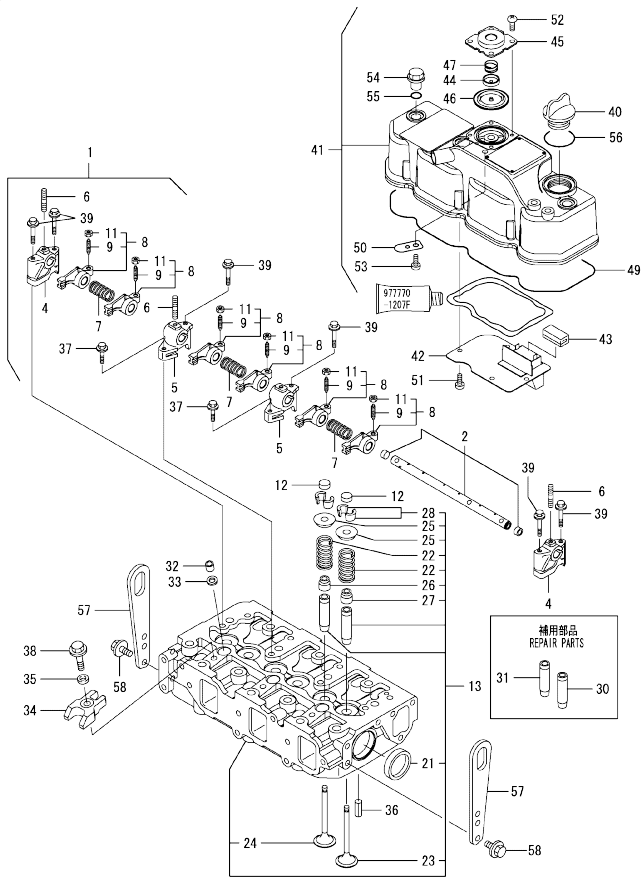


(A)=3TNV84T-BKSA
(B)=3TNV84T-BKSAT
(C)=

(D)=
(E)=
(F)=

No.	Lev.	Parts No.	Description	Q'ty						I	R
				(A)	(B)	(C)	(D)	(E)	(F)		
1	1	129100-01580	PIN, M8X16	2	2						
2	1	119888-01601	HOUSING, FLYWHEEL	1	1						
4	2	129486-35210	PLUG, 3/4-16UNF	1	1						
5	1	119620-01750	CAP	1	1						
6	1	26206-100252	BOLT, M10X 25 PLATED	6	6						
7	1	26206-100302	BOLT, M10X 30 PLATED	4	4						
8	1	129100-01730	SPACER, OIL SUMP	1	1						
9	1	129100-01760	SUMP ASSY, OIL	1	1						
10	2	119640-01640	PLUG, DRAIN M22	1	1						
12	2	22190-220002	WASHER, SEAL 22	1	1						
13	1	26106-080162	BOLT, M8X 16 PLATED	4	4						
14	1	26106-080252	BOLT, M8X 25 PLATED	2	2						
15	1	26106-080452	BOLT, M8X 45 PLATED	20	20						
15-1	1	26106-080452	BOLT, M8X 45 PLATED	16	16						K
(A=FROM 1ST) (B=FROM 1ST)											
16	1	129100-01580	PIN, M8X16	2	2						
17	1	129100-01640	CASE ASSY, OIL SEAL	1	1						
19	2	129795-01780	SEAL, OIL	1	1						
20	1	129486-01670	BOLT, M8X30	6	6						
21	1	26106-080352	BOLT, M8X 35 PLATED	3	3						
22	1	26106-080502	BOLT, M8X 50 PLATED	4	4						W
(A=FROM 1ST) (B=FROM 1ST)											

Fig.4. CYLINDER HEAD & BONNET



(A)=3TNV84T-BKSA
(B)=3TNV84T-BKSAT
(C)=

(D)=
(E)=
(F)=

No.	Lev.	Parts No.	Description	Q'ty						I	R
				(A)	(B)	(C)	(D)	(E)	(F)		
1	1	129004-11241	SHAFT ASSY, ROCKER	1	1						
2	2	129004-11251	SHAFT, ROCKER ARM	1	1						
4	2	119802-11260	SUPPORT, ROCKER ARM	2	2						
5	2	119802-11270	SUPPORT, ROCKER ARM	2	2						
6	2	119802-11280	STUD	3	3						
7	2	129150-11280	SPRING	3	3						
8	2	129004-11650	ARM, ROCKER	6	6						
9	3	129150-11230	SCREW, VALVE ADJUST	6	6						
11	3	129150-11750	NUT, M8	6	6						
12	1	129150-11370	CAP, VALVE	6	6						
13	1	129009-11710	HEAD ASSY, CYLINDER	1	1						
21	2	27241-400000	PLUG, 40	2	2						
22	2	129795-11120	SPRING, VALVE	6	6						
23	2	129004-11130	VALVE, INTAKE	3	3						
24	2	129100-11130	VALVE, EXHAUST	3	3						
25	2	129795-11180	RETAINER, SPRING	6	6						
26	2	121400-11340	SEAL, VALVE STEM	3	3						
27	2	124460-11340	SEAL, VALVE STEM	3	3						
28	2	27310-080001	COTTER, 8	6	6						
30	1	120130-11860	GUIDE, VALVE	3	3						1
31	1	129150-11810	GUIDE, VALVE	3	3						1
32	1	119802-11870	PROTECTOR, NOZZLE	3	3						
33	1	119625-11880	SEAT, NOZZLE	3	3						
34	1	129004-11900	RETAINER, NOZZLE	3	3						
35	1	120270-54410	WASHER, INJECTOR	3	3						
36	1	22351-060012	PIN, SPRING 6.0X12	2	2						
37	1	26106-080252	BOLT, M8X 25 PLATED	2	2						
38	1	26106-080352	BOLT, M8X 35 PLATED	3	3						
39	1	26106-080502	BOLT, M8X 50 PLATED	6	6						
40	1	124160-01751	COVER, FILLER	1	1						
41	1	129009-11350	BONNET ASSY, HEAD	1	1						
42	2	129004-03010	PLATE	1	1						
43	2	129150-03070	BAFFLE, BREATHER	1	1						
44	2	119802-03110	PLATE	1	1						
45	2	119802-03121	COVER, DIAPHRAGM	1	1						
46	2	119802-03130	DIAPHRAGM	1	1						
47	2	119802-03141	SPRING, DIAPHRAGM	1	1						
49	2	129004-11310	GASKET, BONNET	1	1						
50	2	129009-11340	SPRING	1	1						
51	2	22857-500100	SCREW, 5X10	4	4						
52	2	22857-500100	SCREW, 5X10	4	4						
53	2	22857-500100	SCREW, 5X10	1	1						
54	1	124160-11360	KNOB	3	3						
55	1	24311-000120	O-RING, 1AP12.0	3	3						
56	1	24311-000320	O-RING, 1AP32.0	1	1						
57	1	129900-07900	LIFTER	2	2						
58	1	26106-080162	BOLT, M8X 16 PLATED	4	4						

Remarks
(1) REPAIR PART.

N:Old $\frac{100}{100}$ New, Q:Old $\frac{100}{100}$ New, R:Old $\frac{100}{100}$ New, S:Old $\frac{100}{100}$ New, W:Add, Z:Discontinued, F:Interchangeable by set, K:Q'ty Change
Copyright (C) YANMAR CO., LTD. All Rights Reserved.

Fig.5. SUCTION MANIFOLD

(A)=3TNV84T-BKSA
 (B)=3TNV84T-BKSAT
 (C)=

(D)=
 (E)=
 (F)=

No.	Lev.	Parts No.	Description	Q'ty					
				(A)	(B)	(C)	(D)	(E)	(F)
1	1	129009-12060	PIPE, AIR INTAKE	1	1				
2	1	129006-12101	MANIFOLD, AIR INTAKE	1	1				
3	1	129001-12110	GASKET, MANIFOLD	1	1				
4	1	23000-041000	CLAMP, 41	1	1				
5	1	23000-060000	CLAMP, 60	1	1				
6	1	26106-080202	BOLT, M8X 20 PLATED	4	4				
7	1	26106-080802	BOLT, M8X 80 PLATED	1	1				
8	1	129100-77501	HEATER	1	1				
9	1	129100-77510	GASKET	1	1				
10	1	129150-77511	GASKET	1	1				
11	1	129165-77520	BEND, AIR HEATER	1	1				
12	1	26106-080402	BOLT, M8X 40 PLATED	4	4				
13	1	129509-03050	JOINT, BREATHER	1	1				
14	1	129009-03080	HOSE ASSY, BREATHER	1	1				
15	2	129009-03090	HOSE, BREATHER	1	1				
16	2	129410-03990	CLIP	2	2				
17	1	129085-12070	PIPE, AIR INTAKE	1	1				
18	1	129085-12080	PIPE, AIR INTAKE	1	1				
19	1	23000-060000	CLAMP, 60	3	3				
20	1	23000-080000	CLAMP, 80	1	1				

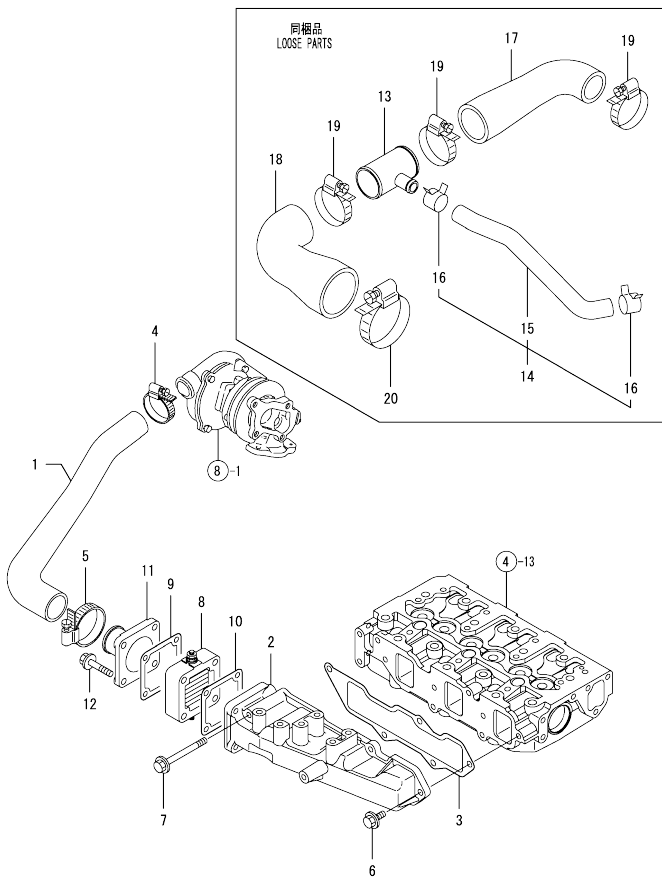


Fig.6. EXHAUST MANIFOLD

(A)=3TNV84T-BKSA
 (B)=3TNV84T-BKSAT
 (C)=

(D)=
 (E)=
 (F)=

No.	Lev.	Parts No.	Description	Q'ty					
				(A)	(B)	(C)	(D)	(E)	(F)
1	1	129139-13100	MANIFOLD, EXHAUST	1	1				
2	1	129150-13110	GASKET	1	1				
3	1	123900-13630	BOLT, M8X80	6	6				
4	1	119131-18320	STUD, M8X22	3	3				

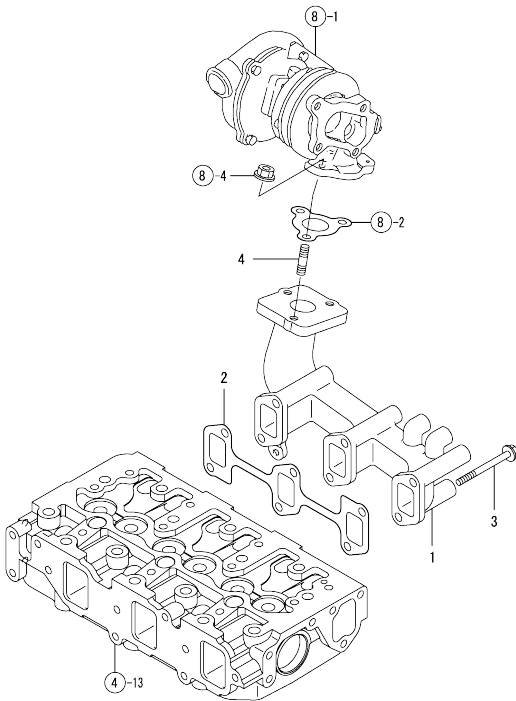
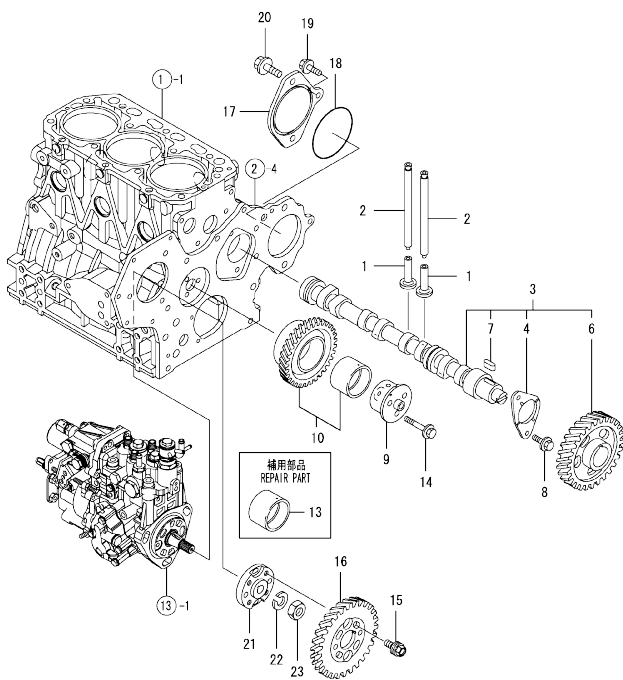


Fig.7. CAMSHAFT & DRIVING GEAR



(A)=3TNV84T-BKSA
(B)=3TNV84T-BKSAT
(C)=

(D)=
(E)=
(F)=

No.	Lev.	Parts No.	Description	Q'ty						
				(A)	(B)	(C)	(D)	(E)	(F)	
1	1	129150-14200	TAPPET	6	6					
2	1	129150-14400	ROD, PUSH L=178	6	6					
3	1	129129-14580	CAMSHAFT ASSY	1	1					
4	2	129150-02450	BEARING, THRUST	1	1					
6	2	129150-14101	GEAR, CAMSHAFT	1	1					
7	2	22512-070140	KEY, 7X 14	1	1					
8	1	26106-080142	BOLT, M8X 14 PLATED	2	2					
9	1	119803-25050	SHAFT, IDLE	1	1					
10	1	119802-25101	GEAR ASSY, IDLE	1	1					
13	1	119802-25071	BUSH, IDLE GEAR	1	1					1
14	1	26106-080402	BOLT, M8X 40 PLATED	3	3					
15	1	129150-25301	BOLT	4	4					
16	1	119802-25901	GEAR, PUMP	1	1					
17	1	129430-26070	COVER	1	1					
18	1	24321-000800	O-RING, 1AG80.0	1	1					
19	1	26106-080252	BOLT, M8X 25 PLATED	1	1					
20	1	26106-100302	BOLT, M10X 30 PLATED	2	2					
21	1	158552-51151	FLANGE	1	1					
22	1	22217-140000	WASHER, SPRING 14	1	1					
23	1	26776-140002	NUT, LOCK M14	1	1					

Remarks
(1) REPAIR PART.

N:Old $\frac{100}{100}$ New, Q:Old $\frac{100}{100}$ New, R:Old $\frac{100}{100}$ New, S:Old $\frac{100}{100}$ New, W:Add, Z:Discontinued, F:Interchangeable by set, K:Qty Change
Copyright (C) YANMAR CO., LTD. All Rights Reserved.

Fig.8. TURBINE

(A)=3TNV84T-BKSA
 (B)=3TNV84T-BKSAT
 (C)=

(D)=
 (E)=
 (F)=

No.	Lev.	Parts No.	Description	Q'ty					
				(A)	(B)	(C)	(D)	(E)	(F)
1	1	129266-18010	TURBINE, RHB31W/G	1	1				
2	1	129535-18100	GASKET	1	1				
3	1	129418-18320	STUD, M8X20	4	4				
4	1	26306-080002	NUT, M8	3	3				
5	1	129403-18091	GASKET	1	1				

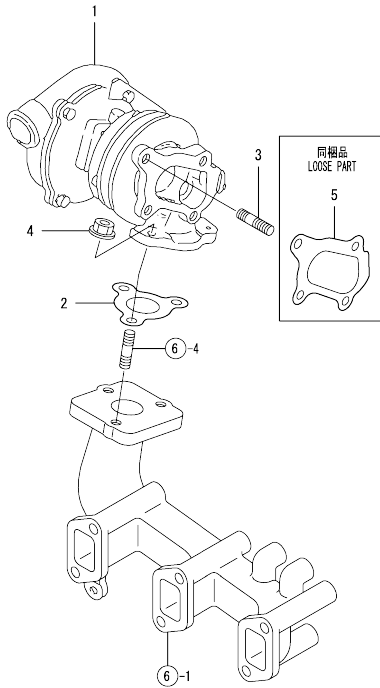
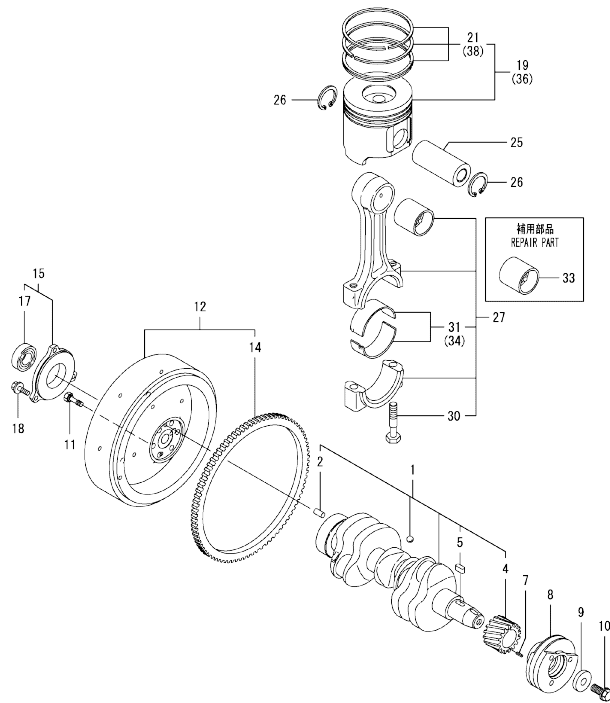


Fig.9. CRANKSHAFT & PISTON



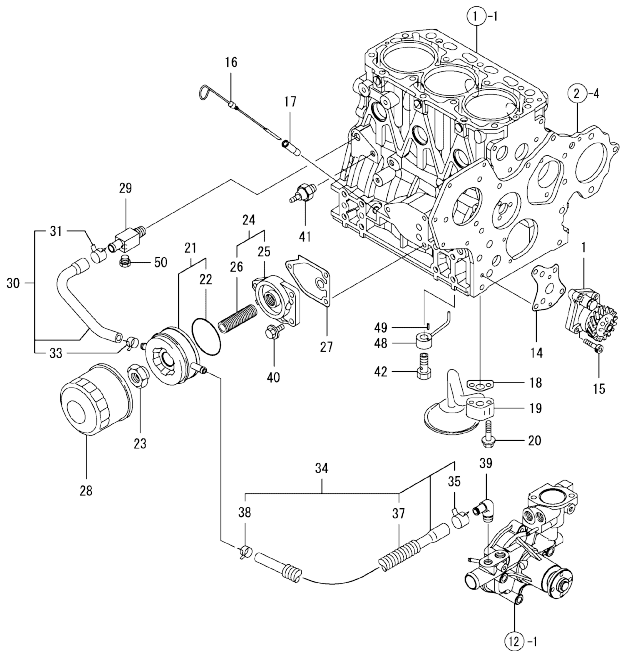
(A)=3TNV84T-BKSA
(B)=3TNV84T-BKSAT
(C)=

(D)=
(E)=
(F)=

No.	Lev.	Parts No.	Description	Q'ty						I	R
				(A)	(B)	(C)	(D)	(E)	(F)		
1	1	129008-21000	CRANKSHAFT ASSY	1	1						
2	2	129100-01580	PIN, M8X16	1	1						
4	2	119803-21200	GEAR, CRANKSHAFT	1	1						
5	2	22512-070140	KEY, 7X 14	1	1						
7	1	22351-030010	PIN, SPRING 3.0X10	1	1						
8	1	129004-21650	V-PULLEY, 110	1	1						
9	1	129795-21661	WASHER	1	1						
10	1	121850-21680	BOLT	1	1						
11	1	121111-21501	BOLT, FLYWHEEL	6	6						
12	1	129188-21590	FLYWHEEL ASSY	1	1						
14	2	119865-21600	GEAR, RING	1	1						
15	1	119888-21450	RETAINER, BEARING	1	1						
17	2	24104-062054	BEARING, BALL 6205UU	1	1						
18	1	26106-080222	BOLT, M8X 22 PLATED	3	3						
19	1	129007-22080	PISTON ASSY	3	3						
21	2	129007-22500	RING SET, PISTON	3	3						
25	1	129202-22300	PIN, PISTON D26 L70	3	3						
26	1	22252-000260	RING, 26	6	6						
27	1	729402-23100	ROD ASSY, CONNECTING	3	3						
30	2	121550-23200	BOLT, CONNECTING ROD	6	6						
31	2	129150-23601	BEARING, CRANK PIN	3	3						
33	1	129100-23910	BEARING, PISTON PIN	3	3						1
34	1	129150-23611	BEARING, 0.25 US	3	3						2
36	1	129007-22900	PISTON ASSY, 0.25 OS	3	3						3
38	2	129007-22950	RING SET, 0.25 OS	3	3						3

Remarks
 (1) REPAIR PART.
 (2) UNDER-SIZED(U.S=0.25)PART.
 (3) OVER-SIZED(O.S=0.25)PART.

Fig.10. LUB.OIL SYSTEM



(A)=3TNV84T-BKSA
(B)=3TNV84T-BKSAT
(C)=

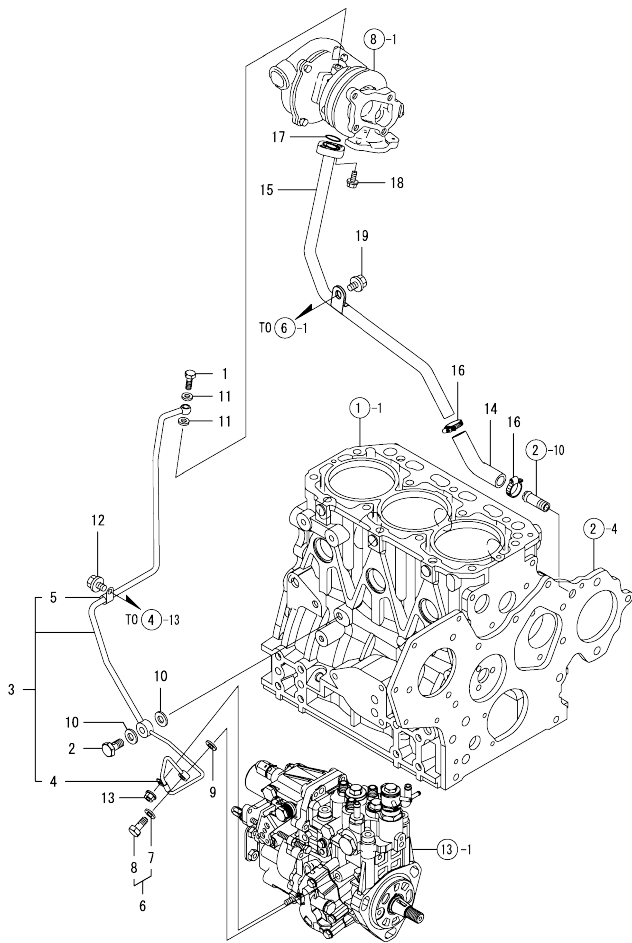
(D)=
(E)=
(F)=

No.	Lev.	Parts No.	Description	Q'ty						I	R
				(A)	(B)	(C)	(D)	(E)	(F)		
1	1	129418-32000	PUMP ASSY, OIL	1	1						
14	1	129150-32020	GASKET, PUMP	1	1						
15	1	26450-060252	BOLT, M6X 25	4	4						
16	1	129004-34802	DIPSTICK, OIL	1	1						
17	1	121520-34810	GUIDE, DIPSTICK	1	1						
18	1	129150-35042	GASKET	1	1						
19	1	129100-35301	PIPE ASSY, OIL INLET	1	1						
20	1	26106-080352	BOLT, M8X 35 PLATED	2	2						
21	1	129508-33010	COOLER ASSY, OIL	1	1						
22	2	129508-33050	O-RING	1	1						
23	1	129417-33110	NUT	1	1						
24	1	129006-35100	BRACKET ASSY, FILTER	1	1						
25	2	119802-35110	BRACKET, FILTER	1	1						
26	2	129417-35150	STUD, L=67	1	1						
27	1	129150-35111	GASKET	1	1						
28	1	129150-35170	FILTER, LO	1	1						1
29	1	129006-44480	JOINT	1	1						
30	1	129508-49030	PIPE ASSY, WATER	1	1						
31	2	171008-03990	CLIP, HOSE 18.5	1	1						
33	2	23080-015000	CLAMP, 15	1	1						
34	1	129006-49040	PIPE ASSY, WATER	1	1						
35	2	171008-03990	CLIP, HOSE 18.5	1	1						
37	2	129642-49180	TUBE, CORRUGATED	1	1						
38	2	23080-015000	CLAMP, 15	1	1						
39	1	129103-49301	ELBOW, PT1/4	1	1						
40	1	26106-080202	BOLT, M8X 20 PLATED	3	3						
41	1	114250-39450	SWITCH, 0.5KG	1	1						
42	1	129792-39410	VALVE ASSY, CHECK	3	3						
48	1	129553-39650	NOZZLE	3	3						
49	1	22351-030010	PIN, SPRING 3.0X10	3	3						
50	1	171056-49120	PLUG, DRAIN	1	1						

Remarks
(1) REPAIR PART.

N:Old $\frac{100}{100}$ New, Q:Old $\frac{100}{100}$ New, R:Old $\frac{100}{100}$ New, S:Old $\frac{100}{100}$ New, W:Add, Z:Discontinued, F:Interchangeable by set, K:Q'ty Change
Copyright (C) YANMAR CO., LTD. All Rights Reserved.

Fig.11. LUB.OIL LINE

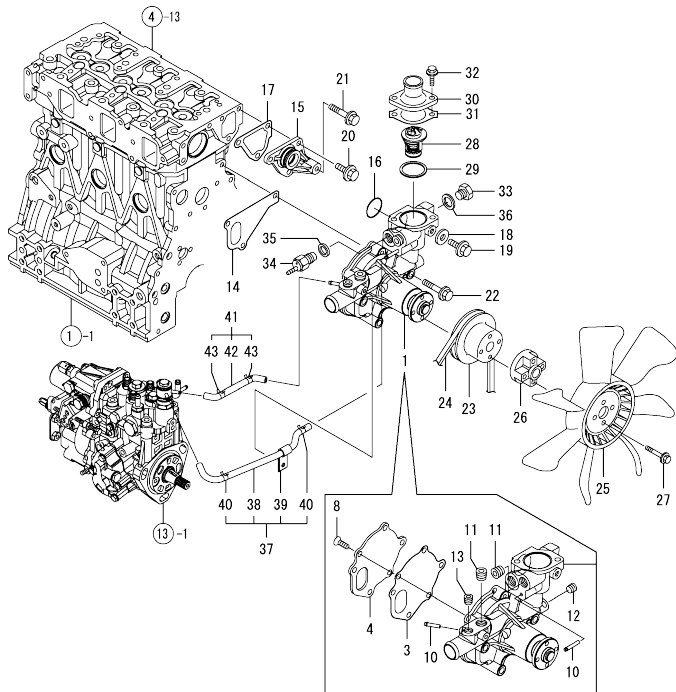


(A)=3TNV84T-BKSA
(B)=3TNV84T-BKSAT
(C)=

(D)=
(E)=
(F)=

No.	Lev.	Parts No.	Description	Q'ty					
				(A)	(B)	(C)	(D)	(E)	(F)
1	1	105010-39140	BOLT, PIPE JOINT	1	1				
2	1	124160-39140	BOLT, PIPE JOINT M10	1	1				
3	1	129006-39450	PIPE ASSY, OIL	1	1				
4	2	119802-39500	RETAINER, PIPE	1	1				
5	2	124223-39900	RETAINER	1	1				
6	1	129005-59830	BOLT ASSY, JOINT M8	1	1				
7	2	22190-080002	WASHER, SEAL 6	1	1				
8	2	23857-030000	BOLT, JOINT 3	1	1				
9	1	22190-080002	WASHER, SEAL 6	1	1				
10	1	22190-100002	WASHER, SEAL 10	2	2				
11	1	23414-080000	GASKET, 8X1.0	2	2				
12	1	26106-080122	BOLT, M8X 12 PLATED	1	1				
13	1	26366-060002	NUT, M6	1	1				
14	1	129044-39610	JOINT, RUBBER	1	1				
15	1	129139-39610	PIPE, OIL	1	1				
16	1	23000-022000	CLAMP, 22	2	2				
17	1	24316-000160	O-RING, 4DP16.0	1	1				
18	1	26106-060162	BOLT, M6X 16 PLATED	2	2				
19	1	26106-080122	BOLT, M8X 12 PLATED	1	1				

Fig.12. COOLING WATER SYSTEM

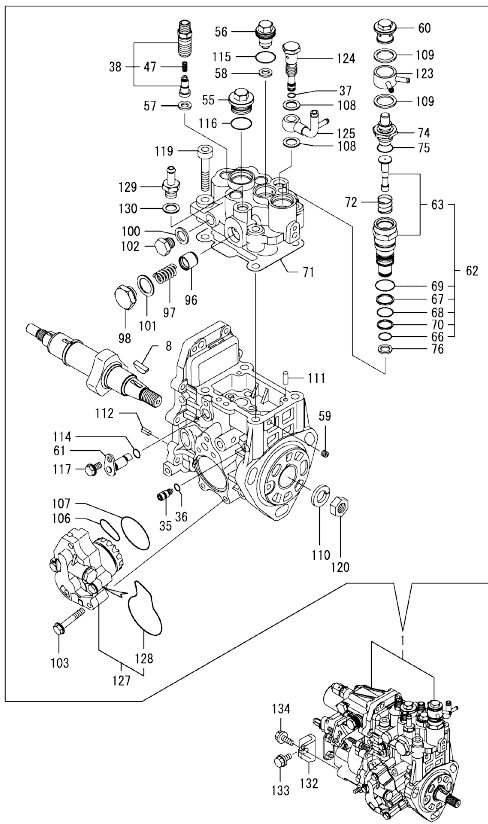


(A)=3TNV84T-BKSA
(B)=3TNV84T-BKSAT
(C)=

(D)=
(E)=
(F)=

No.	Lev.	Parts No.	Description	Q'ty						I	R
				(A)	(B)	(C)	(D)	(E)	(F)		
1	1	129004-42001	PUMP ASSY, WATER	1	1						
3	2	129100-42051	GASKET, WATER PUMP	1	1						
4	2	129100-42121	PLATE	1	1						
8	2	121850-42410	SCREW	3	3						
10	2	119802-49113	JOINT, PIPE	2	2						
11	2	129916-49740	PLUG, R03	2	2						
12	2	23876-010000	PLUG, R01	1	1						
13	2	23876-020000	PLUG, R02	1	1						
14	1	129486-42021	GASKET, WATER PUMP	1	1						
15	1	129004-42040	JOINT	1	1						
16	1	129486-42140	O-RING, G30	1	1						
17	1	124395-49840	GASKET	1	1						
18	1	23414-080000	GASKET, 8X1.0	1	1						
19	1	26106-080122	BOLT, M8X 12 PLATED	1	1						
20	1	26106-080162	BOLT, M8X 16 PLATED	3	3						
21	1	26106-080452	BOLT, M8X 45 PLATED	1	1						
22	1	26106-080602	BOLT, M8X 60 PLATED	3	3						
23	1	129403-42380	V-PULLEY, D=110	1	1						
24	1	119865-42290	V-BELT, A36.5	1	1						
24-1	1	25152-003600	V-BELT, A36	1	1						N
25	1	121267-44741	FAN, COOLING D=360	1	1						
26	1	171353-44760	SPACER, FAN	1	1						
27	1	26106-060402	BOLT, M6X 40 PLATED	4	4						
28	1	129155-49801	THERMOSTAT, 71	1	1						
29	1	129150-49811	GASKET, THERMOSTAT	1	1						
30	1	129350-49530	COVER, THERMOSTAT	1	1						
31	1	129795-49551	GASKET	1	1						
32	1	26106-080222	BOLT, M8X 22 PLATED	2	2						
33	1	121450-42450	PLUG, M16	1	1						
34	1	121250-44901	SWITCH, 110	1	1						
35	1	124465-44950	GASKET, 16	1	1						
36	1	124465-44950	GASKET, 16	1	1						
37	1	129004-49610	PIPE ASSY, WATER	1	1						
38	2	129004-49711	PIPE ASSY, WATER	1	1						
39	2	119802-49730	RETAINER, PIPE	1	1						
40	2	124722-59050	CLIP, HOSE 9	2	2						
41	1	129004-49620	PIPE ASSY, WATER	1	1						
42	2	129004-49721	PIPE ASSY, WATER	1	1						
43	2	124722-59050	CLIP, HOSE 9	2	2						

Fig.13. FUEL INJECTION PUMP



(A)=3TNV84T-BKSA
(B)=3TNV84T-BKSAT
(C)=

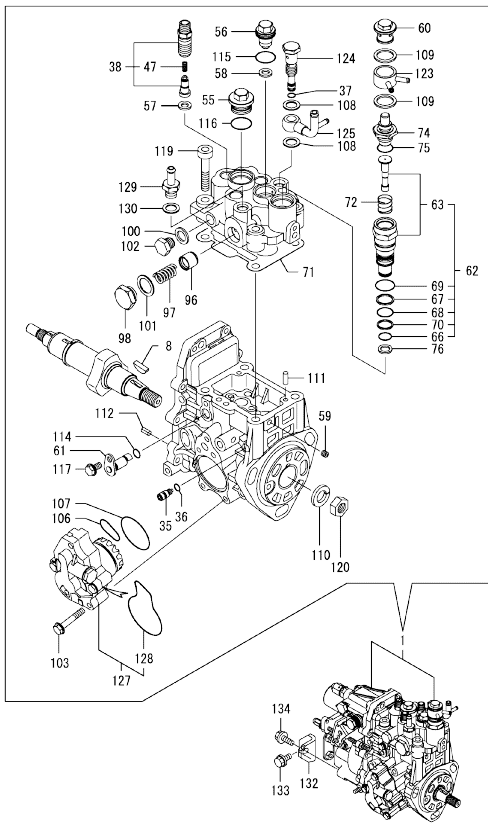
(D)=
(E)=
(F)=

No.	Lev.	Parts No.	Description	Q'ty						I	R
				(A)	(B)	(C)	(D)	(E)	(F)		
1	1	729085-51300	PUMP ASSY, INJECTION	1	1						1
8	2	119802-51090	KEY, 4X16	1	1						
35	2	158600-51270	STOPPER, TAPPET	1	1						
36	2	158563-51281	O-RING, 4D S6	1	1						
37	2	158563-51281	O-RING, 4D S6	1	1						
38	2	129009-51390	VALVE ASSY, DELIVERY	3	3						
47	3	158563-51330	SPRING, DELIVERY	3	3						
55	2	158601-51550	PLUG	1	1						
56	2	119802-51560	PLUG, BARREL	1	1						
57	2	158552-51571	GASKET	3	3						
58	2	158552-51571	GASKET	1	1						
59	2	158557-51570	PLUG	1	1						
60	2	158601-51570	PLUG	1	1						
61	2	158552-51580	LIFTER	1	1						
62	2	119802-51590	TIMER SET	1	1						
63	3	119802-51600	TIMER ASSY	1	1						
66	3	158553-51670	O-RING, 1011	1	1						
67	3	119802-51680	RING, BACK UP	1	1						
68	3	119802-51690	O-RING	1	1						
69	3	24356-010200	O-RING, 4D1020	1	1						
70	3	24372-000150	RING, BACK UP T2P15	1	1						
71	2	158552-51600	GASKET	1	1						
72	2	158553-51630	SPRING, TIMER	1	1						
74	2	158553-51640	ELEMENT	1	1						
75	2	158553-51660	O-RING, P14	1	1						
76	2	158553-51680	GASKET	1	1						
96	2	158601-51770	PISTON	1	1						
97	2	158552-51781	SPRING	1	1						
98	2	158601-51790	PLUG	1	1						
100	2	22190-120002	WASHER, SEAL 12	1	1						
101	2	22190-180002	WASHER, SEAL 18	1	1						
102	2	23887-120002	PLUG, 12	1	1						
103	2	158553-51770	BOLT	4	4						
106	2	158552-52310	O-RING	1	1						
107	2	158552-52400	O-RING, 4E S42	1	1						
108	2	22190-120002	WASHER, SEAL 12	2	2						
109	2	22190-180002	WASHER, SEAL 18	2	2						
110	2	22217-140000	WASHER, SPRING 14	1	1						
111	2	22312-050140	PIN, PARALLEL M5X14	2	2						
112	2	22351-050010	PIN, SPRING 5.0X10	2	2						
114	2	24311-000070	O-RING, 1AP7.0	1	1						
115	2	24356-010180	O-RING, 4D1018	1	1						
116	2	24356-010200	O-RING, 4D1020	1	1						
117	2	26106-060102	BOLT, M6X 10 PLATED	1	1						
119	2	26450-080452	BOLT, M8X 45	4	4						
120	2	26776-140002	NUT, LOCK M14	1	1						
123	2	158553-51551	JOINT	1	1						
124	2	158601-51650	JOINT, OVER FLOW	1	1						
125	2	158552-51670	JOINT, OVER FLOW	1	1						
127	2	158552-52100	PUMP ASSY, FUEL FEED	1	1						
128	3	158552-52500	O-RING	1	1						

Remarks
(1) GOVERNOR ASSY(FIG.14) IS INCORPORATED IN THIS FUEL INJECTION PUMP.(REF.NO.1).

N:Old $\frac{New}{Old}$ New. Q:Old $\frac{New}{Old}$ New. R:Old $\frac{New}{Old}$ New. S:Old $\frac{New}{Old}$ New. W:Add. Z:Discontinued. F:Interchangeable by set. K:Q'ty Change
++ CONTINUE ++
Copyright (C) YANMAR CO., LTD. All Rights Reserved.

Fig.13. FUEL INJECTION PUMP



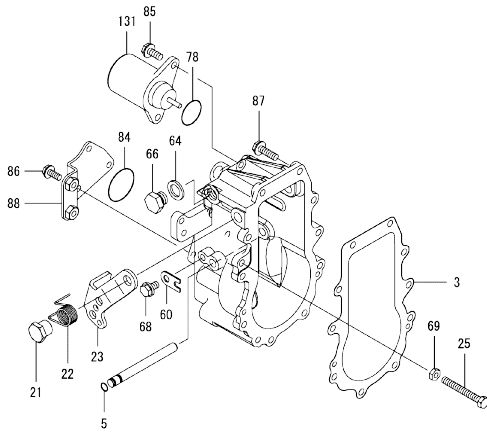
(A)=3TNV84T-BKSA
(B)=3TNV84T-BKSAT
(C)=

(D)=
(E)=
(F)=

No.	Lev.	Parts No.	Description	Q'ty					
				(A)	(B)	(C)	(D)	(E)	(F)
129	2	119934-59910	JOINT, PIPE	1	1				
130	2	22190-120002	WASHER, SEAL 12	1	1				
132	1	119802-51250	RETAINER, PUMP	1	1				
133	1	26106-080162	BOLT, M8X 16 PLATED	1	1				
134	1	26106-080202	BOLT, M8X 20 PLATED	1	1				

Remarks
(1) GOVERNOR ASSY(FIG.14) IS
INCORPORATED IN THIS FUEL
INJECTION PUMP.(REF.NO.1).

Fig.14. GOVERNOR



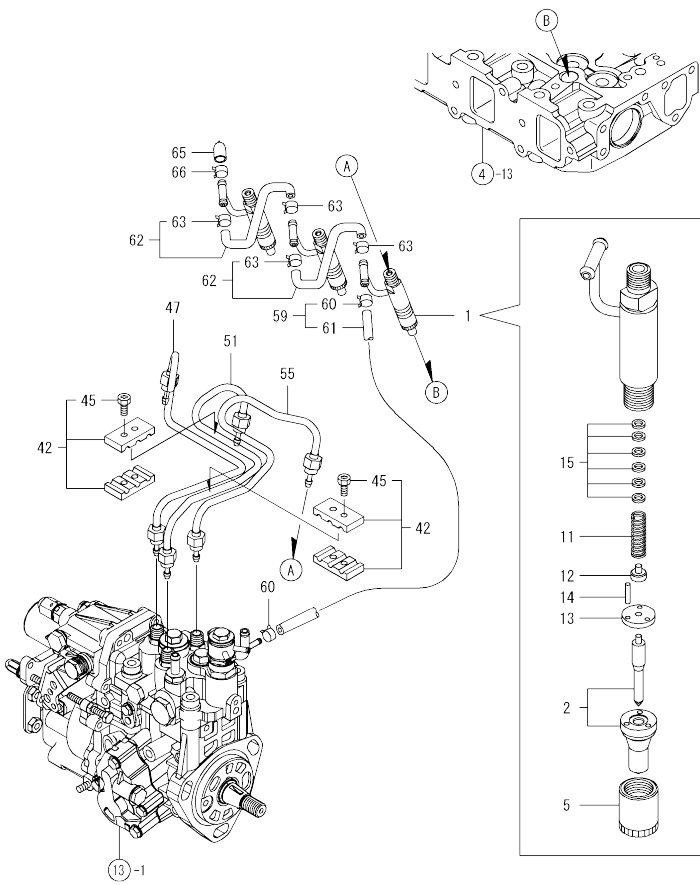
(A)=3TNV84T-BKSA
(B)=3TNV84T-BKSAT
(C)=

(D)=
(E)=
(F)=

No.	Lev.	Parts No.	Description	Q'ty						I	R
				(A)	(B)	(C)	(D)	(E)	(F)		
3	2	158553-61050	GASKET	1	1						
5	2	129155-51280	O-RING, S6	1	1						
21	2	129255-61410	NUT, LOCK	1	1						
22	2	119807-61420	SPRING, RETURN	1	1						
23	2	158552-61441	LEVER, REGULATOR	1	1						
25	2	129155-61460	BOLT, IDLE	1	1						
60	2	119660-61901	RETAINER, SHAFT	1	1						
64	2	22190-120000	WASHER, SEAL 12	1	1						
66	2	23887-120002	PLUG, 12	1	1						
68	2	26106-060102	BOLT, M6X 10 PLATED	1	1						
69	2	26756-060002	NUT, LOCK M6	1	1						
78	2	158552-61900	O-RING	1	1						
84	2	24341-000360	O-RING, 1AS36.0	1	1						
85	2	26106-060142	BOLT, M6X 14 PLATED	2	2						
86	2	26106-060142	BOLT, M6X 14 PLATED	3	3						
87	2	26106-060202	BOLT, M6X 20 PLATED	10	10						
88	2	129044-61060	COVER, GOVERNOR CASE	1	1						
131	2	119653-77950	SOLENOID, STOP	1	1						

Remarks
* THIS FIGURE(GOVERNOR ASSY)IS
INCORPORATED IN THE FUEL INJECTION
PUMP ASSY(FIG.13).

Fig.15. FUEL INJECTION VALVE

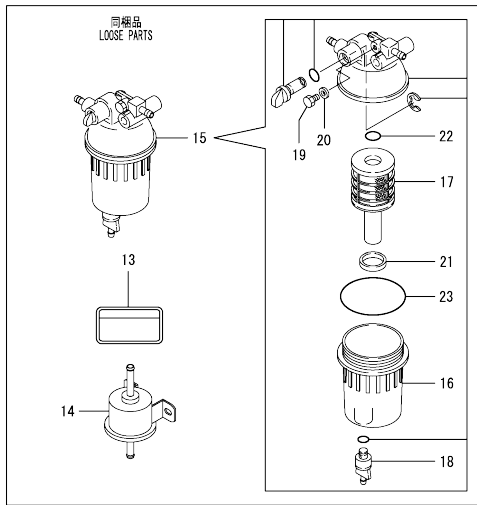
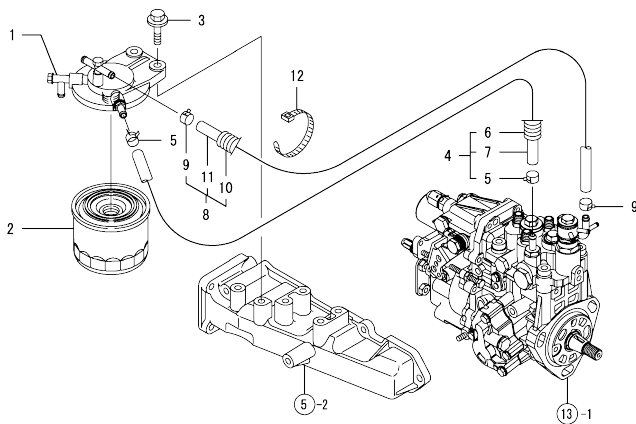


(A)=3TNV84T-BKSA
(B)=3TNV84T-BKSAT
(C)=

(D)=
(E)=
(F)=

No.	Lev.	Parts No.	Description	Q'ty						I	R
				(A)	(B)	(C)	(D)	(E)	(F)		
1	1	729004-53200	VALVE ASSY,INJECTION	3	3						
2	2	129004-53001	VALVE ASSY,INJECTION	3	3						
5	2	114250-53080	NUT, NOZZLE D16.95	3	3						
11	2	114250-53120	SPRING, NOZZLE	3	3						
12	2	114250-53130	SEAT, SPRING	3	3						
13	2	114250-53140	PLATE	3	3						
14	2	114250-53210	PIN	6	6						
15	2	119803-53400	SHIM SET	3	3						
42	1	129150-59120	RETAINER, PIPE	2	2						
45	2	129150-59131	BOLT, M4X14	4	4						
47	1	129004-59811	PIPE ASSY, INJECTION	1	1						
51	1	129004-59821	PIPE ASSY, INJECTION	1	1						
55	1	129004-59831	PIPE ASSY, INJECTION	1	1						
59	1	119802-59550	PIPE ASSY, RETURN	1	1						
60	2	124722-59050	CLIP, HOSE 9	2	2						
61	2	119802-59560	PIPE, FUEL RETURN	1	1						
62	1	129486-59551	PIPE ASSY, RETURN	2	2						
63	2	124722-59050	CLIP, HOSE 9	4	4						
65	1	119593-59581	CAP	1	1						
66	1	124060-77680	CLIP, HOSE 10	1	1						

Fig.16. FUEL LINE

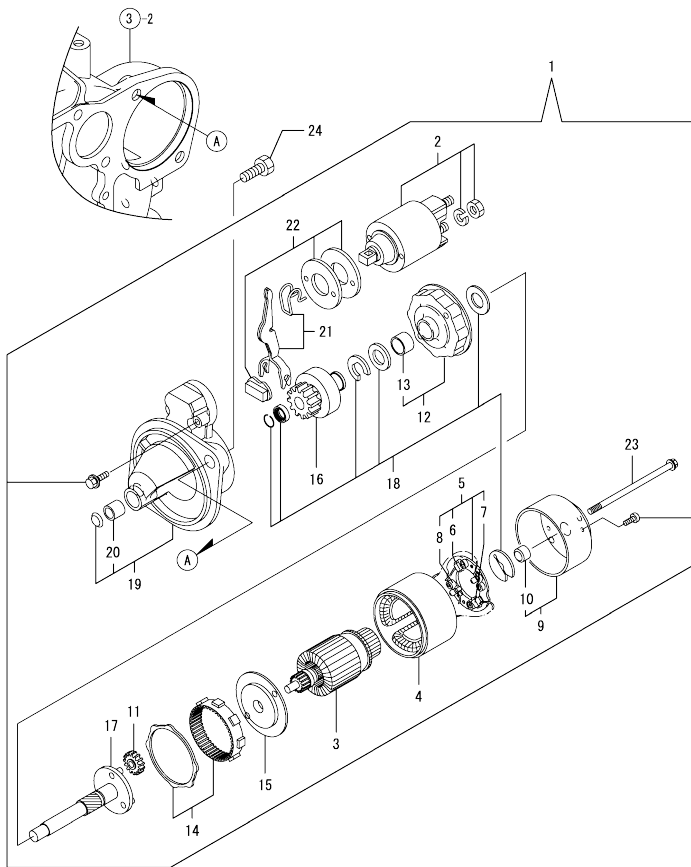


(A)=3TNV84T-BKSA
(B)=3TNV84T-BKSAT
(C)=

(D)=
(E)=
(F)=

No.	Lev.	Parts No.	Description	Q'ty						
				(A)	(B)	(C)	(D)	(E)	(F)	
1	1	129004-55612	BRACKET, FILTER	1	1					
2	1	119802-55810	FILTER, FO	1	1					
3	1	26106-080302	BOLT, M8X 30 PLATED	2	2					
4	1	129044-59010	PIPE, D13/7.5X220	1	1					
5	2	124766-59050	CLIP, HOSE 12	2	2					
6	2	129044-59100	TUBE, CORRUGATED	1	1					
7	2	129044-59510	PIPE, FUEL 220	1	1					
8	1	129950-59311	PIPE, FUEL	1	1					
9	2	124766-59050	CLIP, HOSE 12	2	2					
10	2	129961-59110	TUBE, CORRUGATED	1	1					
11	2	105025-59580	PIPE, FUEL	1	1					
12	1	121750-59890	BAND, 140	1	1					
13	1	114110-07760	LABEL, FUEL CAUTION	1	1					
14	1	119225-52102	PUMP ASSY, FUEL FEED	1	1					
15	1	129242-55700	SEPARATOR ASSY	1	1					
16	2	129242-55720	CUP	1	1					
17	2	129242-55730	ELEMENT	1	1					
18	2	129242-55740	PLUG, DRAIN	1	1					
19	2	129242-55750	VALVE, AIR VENT	1	1					
20	2	129242-55760	GASKET	1	1					
21	2	129242-55770	FLOAT	1	1					
22	2	24311-000160	O-RING, 1AP16.0	1	1					
23	2	24321-000750	O-RING, 1AG75.0	1	1					

Fig.17. STARTING MOTOR

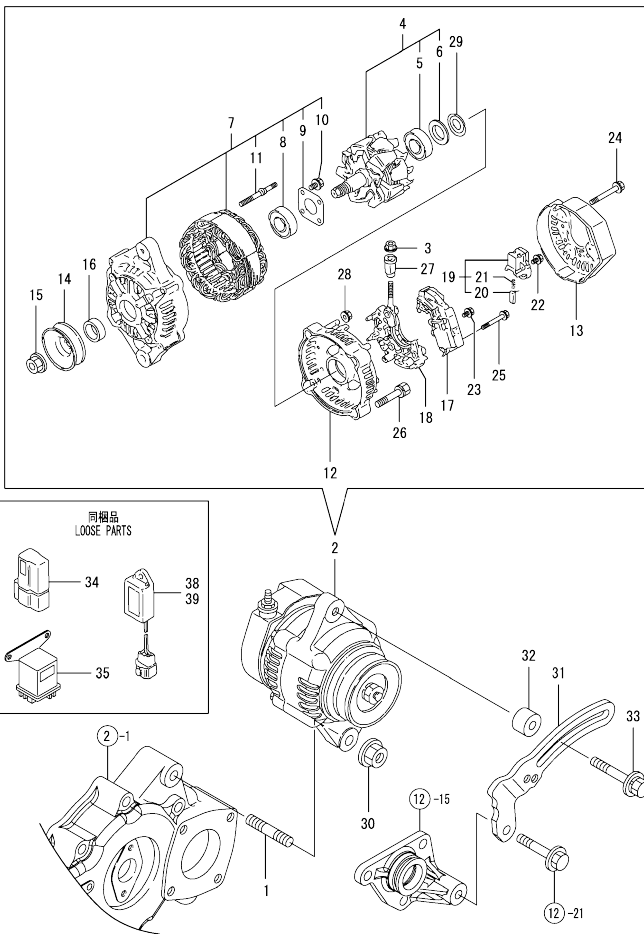


(A)=3TNV84T-BKSA
(B)=3TNV84T-BKSAT
(C)=

(D)=
(E)=
(F)=

No.	Lev.	Parts No.	Description	Q'ty					
				(A)	(B)	(C)	(D)	(E)	(F)
1	1	129242-77010	STARTER	1	1				
2	2	129698-77020	SWITCH ASSY	1	1				
3	2	129242-77100	ARMATURE ASSY	1	1				
4	2	129242-77110	YOKE ASSY	1	1				
5	2	129242-77120	HOLDER ASSY, BRUSH	1	1				
6	3	129242-77130	BRUSH	2	2				
7	3	129242-77140	BRUSH SET	1	1				
8	3	129242-77150	SPRING	4	4				
9	2	129242-77160	COVER ASSY	1	1				
10	3	129242-77170	METAL	1	1				
11	2	118400-77170	GEAR	3	3				
12	2	129242-77180	BRACKET	1	1				
13	3	129698-77190	BRACKET	1	1				
14	2	129698-77200	GEAR, INTERNAL	1	1				
15	2	129242-77210	BRACKET	1	1				
16	2	129698-77220	PINION ASSY	1	1				
17	2	129698-77230	SHAFT	1	1				
18	2	129698-77250	WASHER SET	1	1				
19	2	129242-77260	CASE ASSY	1	1				
20	3	X2114535200	METAL, STARTER	1	1				
21	2	129242-77270	LEVER SET	1	1				
22	2	129242-77280	COVER ASSY, DUST	1	1				
23	2	124195-77770	BOLT, THROUGH	2	2				
24	1	26116-120202	BOLT, M12X 20 PLATED	2	2				

Fig.18. GENERATOR



(A)=3TNV84T-BKSA
(B)=3TNV84T-BKSAT
(C)=

(D)=
(E)=
(F)=

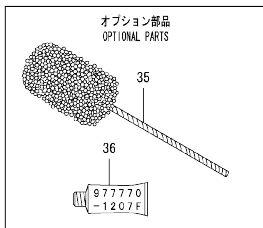
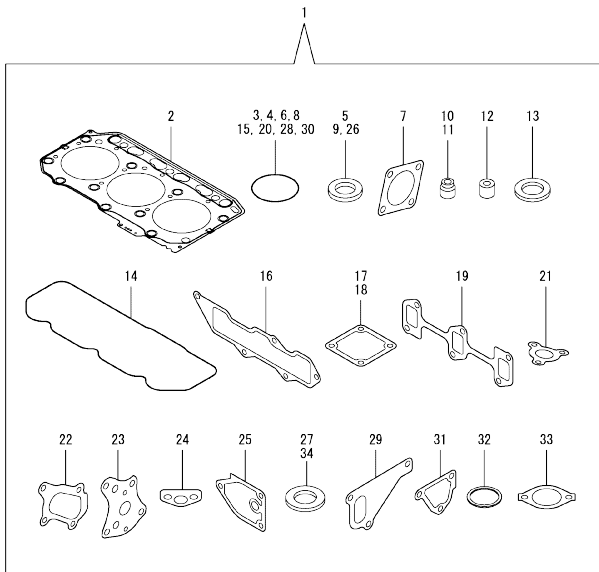
No.	Lev.	Parts No.	Description	Qty						I	R
				(A)	(B)	(C)	(D)	(E)	(F)		
1	1	129795-01900	STUD	1	1						
2	1	129423-77200	GENERATOR, 12V-40A	1	1						
3	2	X9490561001	NUT	1	1						
4	2	119620-77380	ROTOR ASSY	1	1						
5	3	123501-79240	BEARING, BALL	1	1						
6	3	119620-79250	COVER	1	1						
7	2	119620-77421	FRAME ASSY, DRIVE	1	1						
8	3	119620-79200	BEARING, BALL	1	1						
9	3	119620-79210	PLATE, RETAINER	1	1						
10	3	119620-79220	SCREW	4	4						
11	3	119620-79230	STUD	2	2						
12	2	119620-77440	FRAME ASSY	1	1						
13	2	129240-79300	COVER	1	1						
14	2	119620-77461	PULLEY	1	1						
15	2	119620-77471	NUT	1	1						
16	2	119620-77490	COLLAR	1	1						
17	2	129423-77710	REGULATOR ASSY	1	1						
18	2	119620-79260	HOLDER	1	1						
19	2	129052-79270	HOLDER, BRUSH	1	1						
20	3	119620-77480	BRUSH ASSY	2	2						
21	3	119620-79280	SPRING	2	2						
22	2	119620-79290	SCREW	6	6						
23	2	119620-79300	SCREW	1	1						
24	2	119620-79310	BOLT	3	3						
25	2	119620-79320	SCREW	2	2						
26	2	119620-79330	BOLT	2	2						
27	2	119620-79340	BUSH, INSULATION	1	1						
28	2	119620-79350	NUT	2	2						
29	2	119620-79360	WASHER, THRUST	1	1						
30	1	26306-100002	NUT, M10	1	1						
31	1	129064-77330	ADJUSTER	1	1						
32	1	129067-77340	SPACER	1	1						
33	1	129972-77341	BOLT, ADJUSTER L=50	1	1						
34	1	119643-66900	DIODE	1	1						
35	1	119650-77910	RELAY ASSY, GLOW	1	1						
36	1	128300-77920	TIMER	1	1						
39	1	129211-77920	TIMER	1	1						

N:Old $\frac{New}{Old}$ New, Q:Old $\frac{New}{Old}$ New, R:Old $\frac{New}{Old}$ New, S:Old $\frac{New}{Old}$ New, W:Add, Z:Discontinued, F:Interchangeable by set, K:Qty Change
Copyright (C) YANMAR CO., LTD. All Rights Reserved.

Fig.19. GASKET SET

(A)=3TNV84T-BKSA
(B)=3TNV84T-BKSAT
(C)=

(D)=
(E)=
(F)=



No.	Lev.	Parts No.	Description	Q'ty						I	R
				(A)	(B)	(C)	(D)	(E)	(F)		
1	1	729246-92940	GASKET SET	1	1						1
2	2	129002-01331	GASKET, HEAD	1	1						
3	2	119609-32040	O-RING, P16	2	2						
4	2	121850-51960	O-RING	1	1						
5	2	22190-080002	WASHER, SEAL 6	7	7						
6	2	24311-000320	O-RING, 1AP32.0	2	2						
7	2	124240-01883	GASKET	1	1						
8	2	24341-000240	O-RING, 1AS24.0	1	1						
9	2	22190-220002	WASHER, SEAL 22	1	1						
10	2	121400-11340	SEAL, VALVE STEM	3	3						
11	2	124460-11340	SEAL, VALVE STEM	3	3						
12	2	119802-11870	PROTECTOR, NOZZLE	3	3						
13	2	119625-11880	SEAT, NOZZLE	3	3						
14	2	129004-11310	GASKET, BONNET	1	1						
15	2	24311-000120	O-RING, 1AP12.0	3	3						
16	2	129001-12110	GASKET, MANIFOLD	1	1						
17	2	129100-77510	GASKET	1	1						
18	2	129150-77511	GASKET	1	1						
19	2	129150-13110	GASKET	1	1						
20	2	24321-000800	O-RING, 1AG80.0	1	1						
21	2	129535-18100	GASKET	1	1						
22	2	129403-18091	GASKET	1	1						
23	2	129150-32020	GASKET, PUMP	1	1						
24	2	129150-35042	GASKET	1	1						
25	2	129150-35111	GASKET	1	1						
26	2	22190-100002	WASHER, SEAL 10	2	2						
27	2	23414-080000	GASKET, 8X1.0	3	3						
28	2	24316-000160	O-RING, 4DP16.0	1	1						
29	2	129486-42021	GASKET, WATER PUMP	1	1						
30	2	129486-42140	O-RING, G30	1	1						
31	2	124395-49840	GASKET	1	1						
32	2	129150-49811	GASKET, THERMOSTAT	1	1						
33	2	129795-49551	GASKET	1	1						
34	2	124465-44950	GASKET, 16	2	2						
35	1	129400-92420	HONE	1	1						1
36	1	977770-1207F	GASKET, LIQUID	1	1						1

Remarks
(1) OPTIONAL PART.

N:Old $\frac{100}{100}$ New, Q:Old $\frac{100}{100}$ New, R:Old $\frac{100}{100}$ New, S:Old $\frac{100}{100}$ New, W:Add, Z:Discontinued, F:Interchangeable by set, K:Qty Change
Copyright (C) YANMAR CO., LTD. All Rights Reserved.

Parts No. Index

Parts No.	Fig. No.	Ref. No.
105010-39140	11	1
105025-59580	16	11
114110-07760	16	13
114250-39450	10	41
114250-53080	15	5
114250-53120	15	11
114250-53130	15	12
114250-53140	15	13
114250-53210	15	14
118400-77170	17	11
119131-18320	6	4
119225-52102	16	14
119593-59581	15	65
119609-32040	2	9
	19	3
119620-01750	3	5
119620-77380	18	4
119620-77421	18	7
119620-77440	18	12
119620-77461	18	14
119620-77471	18	15
119620-77480	18	20
119620-77490	18	16
119620-79200	18	8
119620-79210	18	9
119620-79220	18	10
119620-79230	18	11
119620-79250	18	6
119620-79260	18	18
119620-79280	18	21
119620-79290	18	22
119620-79300	18	23
119620-79310	18	24
119620-79320	18	25
119620-79330	18	26
119620-79340	18	27
119620-79350	18	28
119620-79360	18	29
119625-11880	4	33
	19	13
119640-01640	3	10
119643-66900	18	34
119650-77910	18	35
119653-77950	14	131
119660-61901	14	60
119802-01561	2	5
119802-03110	4	44
119802-03121	4	45
119802-03130	4	46
119802-03141	4	47

Parts No.	Fig. No.	Ref. No.
119802-11260	4	4
119802-11270	4	5
119802-11280	4	6
119802-11870	4	32
	19	12
119802-25071	7	13
119802-25101	7	10
119802-25901	7	16
119802-35110	10	25
119802-39500	11	4
119802-49113	12	10
119802-49730	12	39
119802-51090	13	8
119802-51250	13	132
119802-51560	13	56
119802-51590	13	62
119802-51600	13	63
119802-51680	13	67
119802-51690	13	68
119802-55810	16	2
119802-59550	15	59
119802-59560	15	61
119803-21200	9	4
119803-25050	7	9
119803-53400	15	15
119807-61420	14	22
119865-21600	9	14
119865-42290	12	24
119888-01601	3	2
119888-21450	9	15
119934-01800	2	3
119934-59910	13	129
120130-11860	4	30
120270-54410	4	35
121023-01551	2	24
121111-21501	9	11
121250-44901	12	34
121267-44741	12	25
121400-11340	4	26
	19	10
121450-42450	12	33
121520-34810	10	17
121550-23200	9	30
121750-59890	16	12
121850-21680	9	10
121850-42410	12	8
121850-51960	2	11
	19	4
123501-79240	18	5
123900-13630	6	3

Parts No.	Fig. No.	Ref. No.
124060-01050	1	11
124060-77680	15	66
124160-01751	2	6
	4	40
124160-01910	1	12
	13	13
124160-11360	4	54
124160-39140	11	2
124195-77770	17	23
124223-39900	11	5
124240-01871	2	7
	21	21
124240-01883	2	22
	19	7
124395-49840	12	17
	19	31
124460-11340	4	27
	19	11
124465-44950	12	35
	36	36
	19	34
124722-59050	12	40
	43	43
	15	60
	63	63
124766-59050	16	5
	9	9
128300-77920	18	38
129001-01250	1	4
129001-02931	1	29
129001-12110	5	3
	19	16
129002-01331	1	28
	19	2
129004-03010	4	42
129004-11130	4	23
129004-11241	4	1
129004-11251	4	2
129004-11310	4	49
	19	14
129004-11650	4	8
129004-11900	4	34
129004-21650	9	8
129004-34802	10	16
129004-42001	12	1
129004-42040	12	15
129004-49610	12	37
129004-49620	12	41
129004-49711	12	38
129004-49721	12	42

Parts No.	Fig. No.	Ref. No.
129004-53001	15	2
129004-55612	16	1
129004-59811	15	47
129004-59821	15	51
129004-59831	15	55
129005-59830	11	6
129006-12101	5	2
129006-35100	10	24
129006-39450	11	3
129006-44480	10	29
129006-49040	10	34
129007-22080	9	19
129007-22500	9	21
129007-22900	9	36
129007-22950	9	38
129008-21000	9	1
129009-01540	2	4
129009-03080	5	14
129009-03090	5	15
129009-11340	4	50
129009-11350	4	41
129009-11710	4	13
129009-12060	5	1
129009-51390	13	38
129044-39610	11	14
129044-59010	16	4
129044-59100	16	6
129044-59510	16	7
129044-61060	14	88
129052-79270	18	19
129064-77330	18	31
129067-77340	18	32
129085-12070	5	17
129085-12080	5	18
129100-01580	3	1
	9	2
129100-01640	3	17
129100-01730	3	8
129100-01760	3	9
129100-11130	4	24
129100-23910	9	33
129100-35301	10	19
129100-42051	12	3
129100-42121	12	4
129100-77501	5	8
129100-77510	5	9
	19	17
129103-49301	10	39
129122-44480	2	10

Parts No. Index

Parts No.	Fig. No.	Ref. No.	Parts No.	Fig. No.	Ref. No.	Parts No.	Fig. No.	Ref. No.	Parts No.	Fig. No.	Ref. No.
129129-14580	7	3	129242-55770	16	21	129698-77250	17	18	171056-49120	10	50
129139-13100	6	1	129242-77010	17	1	129792-39410	10	42	171353-44760	12	26
129139-39610	11	15	129242-77100	17	3	129795-01780	3	19	22190-080002	2	12
129150-01200	1	27	129242-77110	17	4	129795-01900	18	1			13
129150-02020	1	6	129242-77120	17	5	129795-01950	2	8		11	7
129150-02450	7	4	129242-77130	17	6	129795-02412	1	9			9
129150-02871	1	32	129242-77140	17	7	129795-11120	4	22		19	5
129150-02931	1	24	129242-77150	17	8	129795-11180	4	25	22190-100002	11	10
129150-02941	1	35	129242-77160	17	9	129795-21661	9	9		19	26
129150-03070	4	43	129242-77170	17	10	129795-49551	12	31	22190-120000	14	64
129150-11230	4	9	129242-77180	17	12		19	33	22190-120002	13	100
129150-11280	4	7	129242-77210	17	15	129900-07900	4	57			108
129150-11370	4	12	129242-77260	17	19	129916-49740	12	11			130
129150-11750	4	11	129242-77270	17	21	129950-59311	16	8	22190-180002	13	101
129150-11810	4	31	129242-77280	17	22	129961-59110	16	10			109
129150-13110	6	2	129255-61410	14	21	129972-77341	18	33	22190-220002	3	12
	19	19	129266-18010	8	1	158552-51151	7	21		19	9
129150-14101	7	6	129350-49530	12	30	158552-51571	13	57	22217-140000	7	22
129150-14200	7	1	129400-92420	19	35			58		13	110
129150-14400	7	2	129403-18091	8	5	158552-51580	13	61	22252-000260	9	26
129150-23601	9	31		19	22	158552-51600	13	71	22312-050140	13	111
129150-23611	9	34	129403-42380	12	23	158552-51670	13	125	22351-030010	9	7
129150-25301	7	15	129410-03990	5	16	158552-51781	13	97		10	49
129150-32020	10	14	129417-33110	10	23	158552-52100	13	127	22351-050010	13	112
	19	23	129417-35150	10	26	158552-52310	13	106	22351-060012	4	36
129150-35042	10	18	129418-18320	8	3	158552-52400	13	107	22512-070140	7	7
	19	24	129418-32000	10	1	158552-52500	13	128		9	5
129150-35111	10	27	129423-77200	18	2	158552-61441	14	23	22857-500100	4	51
	19	25	129423-77710	18	17	158552-61900	14	78			52
129150-35170	10	28	129430-26070	7	17	158553-51551	13	123			53
129150-49811	12	29	129486-01670	3	20	158553-51630	13	72	23000-022000	11	16
	19	32	129486-35210	3	4	158553-51640	13	74	23000-041000	5	4
129150-59120	15	42	129486-42021	12	14	158553-51660	13	75	23000-060000	5	5
129150-59131	15	45		19	29	158553-51670	13	66			19
129150-77511	5	10	129486-42140	12	16	158553-51680	13	76	23000-080000	5	20
	19	18		19	30	158553-51770	13	103	23080-015000	10	33
129155-49801	12	28	129486-59551	15	62	158553-61050	14	3			38
129155-51280	14	5	129508-33010	10	21	158557-51570	13	59	23414-080000	11	11
129155-61460	14	25	129508-33050	10	22	158563-51281	13	36		12	18
129165-77520	5	11	129508-49030	10	30			37		19	27
129188-21590	9	12	129509-03050	5	13	158563-51330	13	47	23857-030000	11	8
129202-22300	9	25	129535-18100	8	2	158600-51270	13	35	23876-010000	12	12
129211-77920	18	39		19	21	158601-51550	13	55	23876-020000	12	13
129240-79300	18	13	129553-39650	10	48	158601-51570	13	60	23887-120002	13	102
129242-55700	16	15	129642-49180	10	37	158601-51650	13	124		14	66
129242-55720	16	16	129698-77020	17	2	158601-51770	13	96	24104-062054	9	17
129242-55730	16	17	129698-77190	17	13	158601-51790	13	98	24311-000070	13	114
129242-55740	16	18	129698-77200	17	14	171008-03990	10	31	24311-000120	4	55
129242-55750	16	19	129698-77220	17	16			35		19	15
129242-55760	16	20	129698-77230	17	17	171051-01921	1	5	24311-000160	16	22

Parts No. Index

Parts No.	Fig. No.	Ref. No.
24311-000320	2	14
	4	56
	19	6
24316-000160	11	17
	19	28
24321-000750	16	23
24321-000800	7	18
	19	20
24341-000240	2	25
	19	8
24341-000360	14	84
24356-010180	13	115
24356-010200	13	69
		116
24372-000150	13	70
25152-003600	12	24 -1
26106-060102	13	117
	14	68
26106-060142	14	85
		86
26106-060162	2	26
	11	18
26106-060202	14	87
26106-060402	12	27
26106-080122	11	12
	19	19
	12	19
26106-080142	7	8
26106-080162	2	15
		16
		23
	3	13
	4	58
	12	20
	13	133
26106-080202	5	6
	10	40
	13	134
26106-080222	9	18
	12	32
26106-080252	3	14
	4	37
	7	19
26106-080302	2	17
	16	3
26106-080352	3	21
	4	38
	10	20
26106-080402	5	12
	7	14

Parts No.	Fig. No.	Ref. No.
26106-080452	3	15
		15 -1
	12	21
26106-080502	3	22
	4	39
26106-080552	2	18
26106-080602	12	22
26106-080802	5	7
26106-080852	2	19
26106-100302	7	20
26116-120202	17	24
26206-100252	3	6
26206-100302	3	7
26306-080002	2	20
	8	4
26306-100002	18	30
26366-060002	11	13
26450-060252	10	15
26450-080452	13	119
26756-060002	14	69
26776-140002	7	23
	13	120
27241-120000	1	14
27241-300000	1	10
27241-400000	4	21
27310-080001	4	28
729004-53200	15	1
729006-01560	1	1
729085-51300	13	1
729246-92940	19	1
729402-23100	9	27
729604-01500	2	1
977770-1207F	19	36
X2114535200	17	20
X9490561001	18	3

Parts No.	Fig. No.	Ref. No.
-----------	----------	----------

Parts No.	Fig. No.	Ref. No.
-----------	----------	----------