

0CW10-M48801EN

P R E F A C E

1. This parts catalog is the 2nd edition of 3TNV84T-BMCU for CUMMINS POWER GENERATION.

Pub.No. : 0CW10-G48801

Published : June, 2009

2. Model name

Engine model	Vehicle	Vehicle made by
3TNV84T-BMCU	GENERATOR	CUMMINS POWER GENERATION

Directions for the Parts Catalog.

1. This Parts Catalog shows both standard and optional parts.
2. Parts may change without prior notice.
3. The following is an example of the Parts Catalog format.

REF.	LEV.	PARTS NO.	DESCRIPTION	Q'TY						I	R
				(A)	(B)	(C)	(D)	(E)	(F)		
1	1	729595-51390	FUEL INJECTION PUMP	1	1	1	1	1			1
1-1	1	729595-51391	FUEL INJECTION PUMP	1	1	1	1	1		N	1
		(A=E00185) (B=E00200)									
3	2	26022-060162	SCREW M 6X 16	9	9	9	9	9			
3-1	2	26022-060162	SCREW M 6X 16	4	4	4	4	4		K	
		(A=E00156) (B=E00156) (C=E00156) (D=E00156) (E=E00156)									
4	2	129470-51040	CAMSHAFT	1	1	1	1	1			
5	2	122710-51050	BEARING, ROLLER	2	2	2	2	2			
6	2	129470-51060	RETAINER	1	1	1	1	1			

Remarks
(1) BOOST COMPEMSATOR TYPE. OPTIONAL PART, TO E00155,(4JH-DT, 4JH-DTZ

① Ref. No.

The Ref. No. listed may not be in accordance with the illustration Ref. No.

(Ex.) Illustration No.

List Ref No.

1 1 (Before change) → 1-1 (After change)

For interchangeable symbols N, R and K, illustrations for new parts may be abbreviated.

② Lev. (Level)

Level indication

The numbers below indicate the level of relativity towards the main part.

1 ---- Main parts (Assembly parts)

2 ---- Sub component included in " 1 ".

3 ---- Sub component included in " 2 ".

Note) Parts that are not for sale are partially illustrated but not listed.

③ Interchangeability Symbol

When a part change takes place, one of the following interchangeability symbols is indicated beside the part.

Symbol	Interchangeability	Contents note
N	Old $\begin{matrix} \leftarrow \text{Yes} \\ \text{No} \rightarrow \end{matrix}$ New	New Part is interchangeable for Old Part but Old Part is not interchangeable for New Part.
Q	Old $\begin{matrix} \leftarrow \text{No} \\ \text{Yes} \rightarrow \end{matrix}$ New	New Part is not interchangeable for Old Part but Old Part is interchangeable for New Part.
R	Old $\begin{matrix} \leftarrow \text{Yes} \\ \text{Yes} \rightarrow \end{matrix}$ New	New/ Old Parts are both interchangeable.
S	Old $\begin{matrix} \leftarrow \text{No} \\ \text{No} \rightarrow \end{matrix}$ New	New/ Old Parts are both not interchangeable.
W		Part newly added.
Z		Part discontinued.
F		Not interchangeable by a single part but interchangeable together with related parts.
K		Changes only for used parts quantities.

④ Effective Machine No.

When a part changes, the effective Machine No. will be indicated in the (A)-(F) column.

Product Symbol	Product No.	Product Symbol	Product No.
C	Clutch No. Compressor No.	F	Machine No. (Agricultural Equip.)
D	Drive No.	M	Machine No.
E	Engine No.		

Note 1) A date may follow the symbol. (Ex.) 1996.01

Note 2) "XXXXX" and "ZZZZZ" are for parts that could not be predicted or for engine models that could not be identified.

Note 3) (A=E00185) is the E (Engine Serial Number) for the column (A) model (in this case 4JH-DT) after the parts design change.

⑤ Remarks

Figures or alphabets (symbols) are entered in the remarks column.

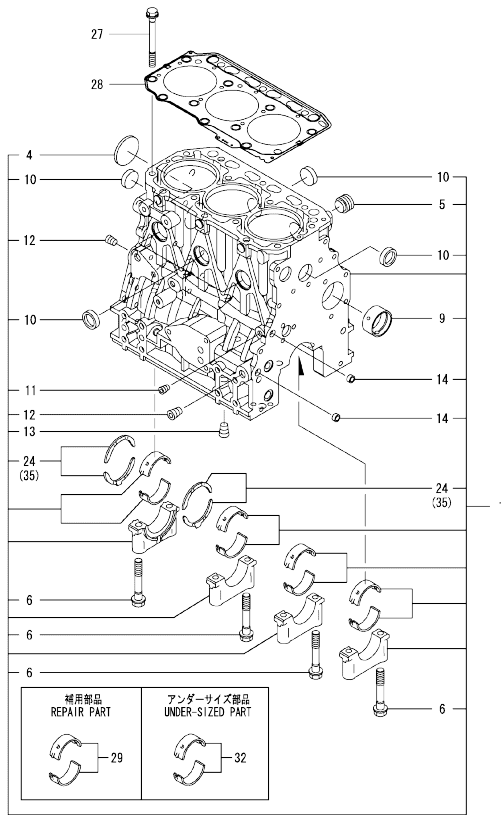
The comments (remarks) on parts that are indicated at the bottom of the illustration are the same symbols as those stated above.

Contents

0CW10-M48801

Fig. No.	Fig. Name	Fig. No.	Fig. Name
	3TNV84T-BMCU		
	1. CYLINDER BLOCK		
	2. GEAR HOUSING		
	3. OIL SUMP		
	4. CYLINDER HEAD & BONNET		
	5. SUCTION MANIFOLD		
	6. EXHAUST MANIFOLD		
	7. CAMSHAFT & DRIVING GEAR		
	8. TURBINE		
	9. CRANKSHAFT & PISTON		
	10. LUB.OIL SYSTEM		
	11. LUB.OIL LINE		
	12. COOLING WATER SYSTEM		
	13. FUEL INJECTION PUMP		
	14. GOVERNOR		
	15. FUEL INJECTION VALVE		
	16. GASKET SET		

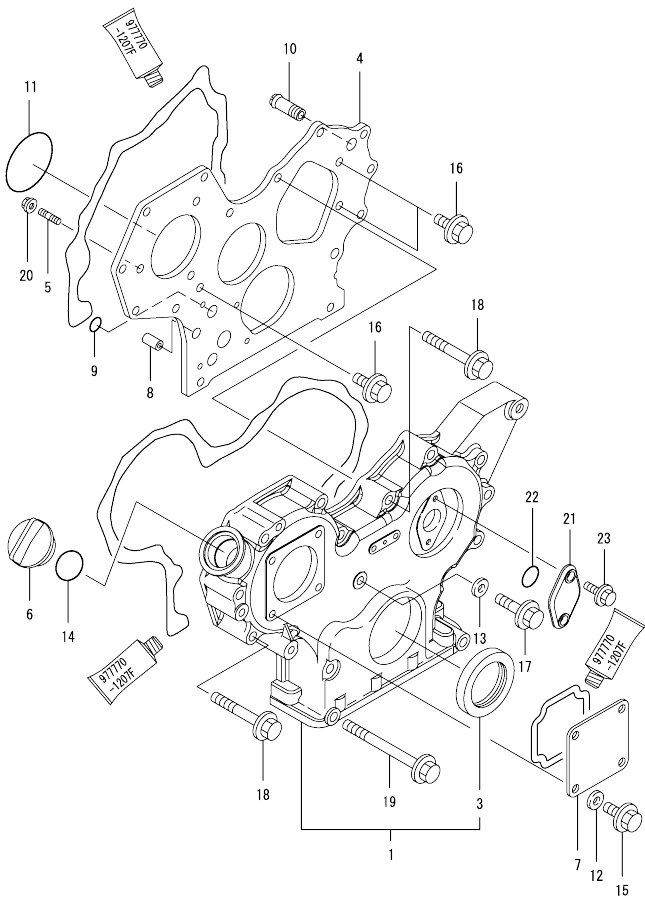
Fig.1. CYLINDER BLOCK



No.	Lev.	Parts No.	Description	Q'ty						I	R
				(A)	(B)	(C)	(D)	(E)	(F)		
1	1	729006-01560	BLOCK ASSY, CYLINDER	1							
4	2	129001-01250	PLUG, 50	1							
5	2	171051-01921	PLUG, NPTF1	1							
6	2	129150-02020	BOLT, METAL CAP	8							
9	2	129795-02412	BUSH, CAMSHAFT	1							
10	2	27241-300000	PLUG 30	6							
11	2	124060-01050	PLUG, PT1/8	1							
12	2	124160-01910	PLUG, PT1/4	2							
13	2	124160-01910	PLUG, PT1/4	1							
14	2	27241-120000	PLUG, 12	2							
24	2	129150-02931	BEARING, THRUST	2							
27	1	129150-01200	BOLT, HEAD	14							
28	1	129002-01331	GASKET, HEAD	1							
29	1	129001-02931	BEARING, MAIN	4							1
32	1	129150-02871	BEARING, 0.25 US	4							2
35	1	129150-02941	BEARING, THRUST 0.25	1							3

Remarks
 (1) REPAIR PART.
 (2) UNDER-SIZED(U.S=0.25)PART.
 (3) OVER-SIZED(O.S=0.25)PART.

Fig.2. GEAR HOUSING

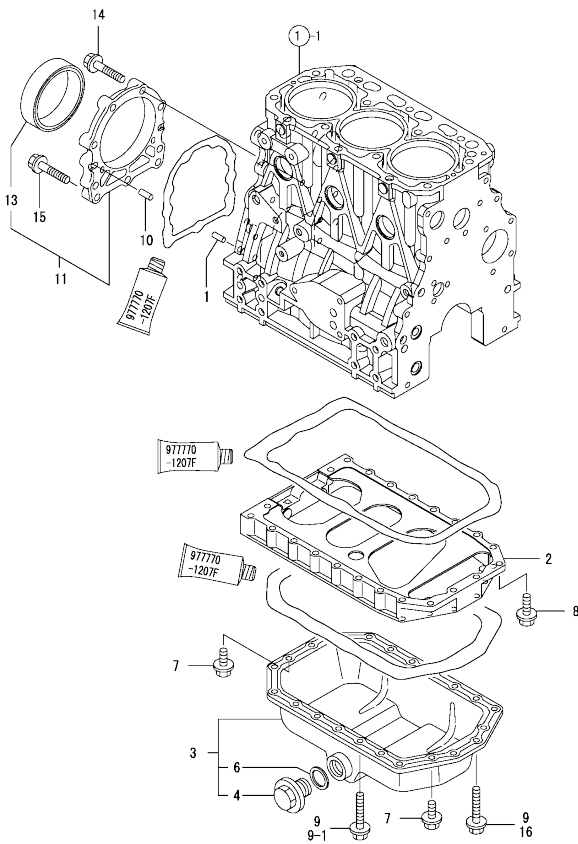


(A)=3TNV84T-BMCU
(B)=
(C)=

(D)=
(E)=
(F)=

No.	Lev.	Parts No.	Description	Q'ty						I	R
				(A)	(B)	(C)	(D)	(E)	(F)		
1	1	719803-01500	CASE ASSY, GEAR	1							
3	2	119934-01800	SEAL, OIL	1							
4	1	129009-01520	FLANGE, GEAR CASE	1							
5	1	119802-01561	STUD, M8X25	3							
6	1	124160-01751	COVER, FILLER	1							
7	1	124240-01871	COVER	1							
8	1	129795-01950	PIPE, KNOCK L=18	2							
9	1	119609-32040	O-RING, P16	2							
10	1	129122-44480	JOINT	1							
11	1	121850-51960	O-RING	1							
12	1	22190-080002	WASHER, SEAL 6	4							
13	1	22190-080002	WASHER, SEAL 6	1							
14	1	24311-000320	O-RING, 1AP32.0	1							
15	1	26106-080162	BOLT, M8X 16 PLATED	4							
16	1	26106-080162	BOLT, M8X 16 PLATED	3							
17	1	26106-080302	BOLT, M8X 30 PLATED	1							
18	1	26106-080552	BOLT, M8X 55 PLATED	12							
19	1	26106-080852	BOLT, M8X 85 PLATED	3							
20	1	26306-080002	NUT, M8	3							
21	1	121023-01551	COVER	1							
22	1	24341-000240	O-RING, 1AS24.0	1							
23	1	26106-060162	BOLT, M6X 16 PLATED	2							

Fig.3. OIL SUMP

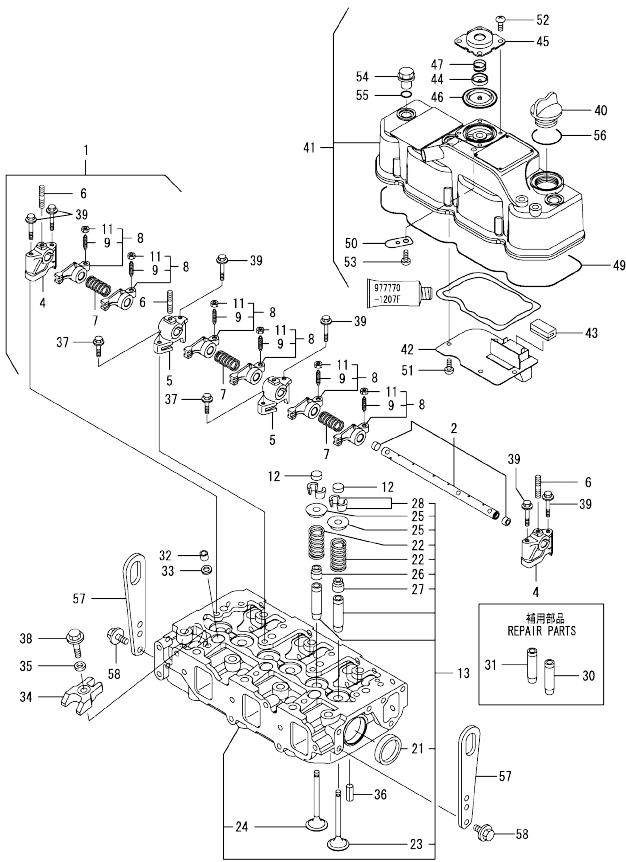


(A)=3TNV84T-BMCU
(B)=
(C)=

(D)=
(E)=
(F)=

No.	Lev.	Parts No.	Description	Q'ty						I	R
				(A)	(B)	(C)	(D)	(E)	(F)		
1	1	129100-01580	PIN, M8X16	2							
2	1	129100-01730	SPACER, OIL SUMP	1							
3	1	129175-01770	SUMP ASSY, OIL	1							
4	2	119640-01640	PLUG, DRAIN M22	1							
6	2	22190-220002	WASHER, SEAL 22	1							
7	1	26106-080162	BOLT, M8X 16 PLATED	4							
8	1	26106-080252	BOLT, M8X 25 PLATED	2							
9	1	26106-080452	BOLT, M8X 45 PLATED	20							
9-1	1	26106-080452	BOLT, M8X 45 PLATED	16							K
(A=FROM 1ST)											
10	1	129100-01580	PIN, M8X16	2							
11	1	129100-01640	CASE ASSY, OIL SEAL	1							
13	2	129795-01780	SEAL, OIL	1							
14	1	129486-01670	BOLT, M8X30	6							
15	1	26106-080352	BOLT, M8X 35 PLATED	3							
16	1	26106-080502	BOLT, M8X 50 PLATED	4							W
(A=FROM 1ST)											

Fig.4. CYLINDER HEAD & BONNET



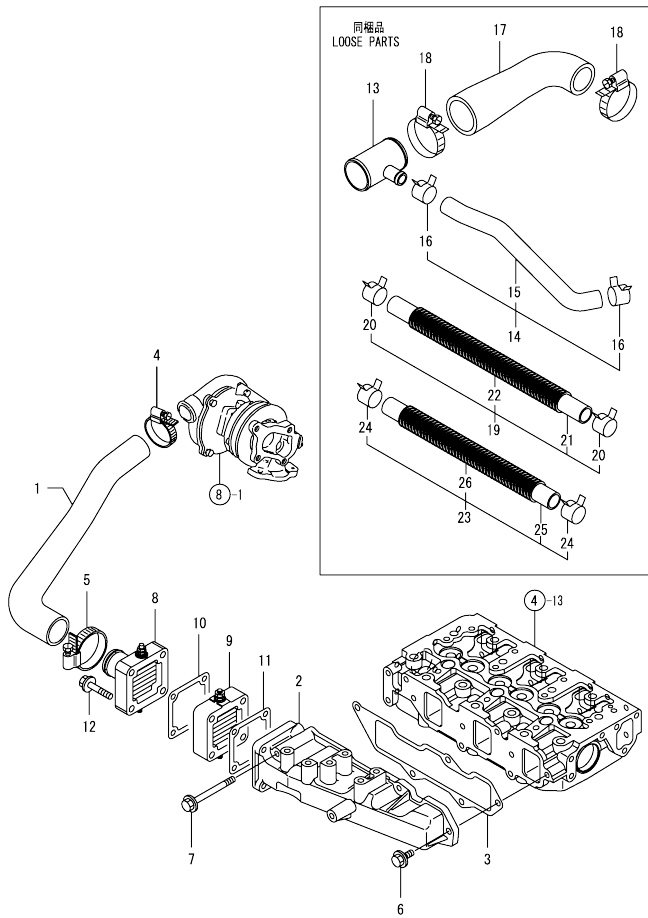
(A)=3TNV84T-BMCU
(B)=
(C)=

(D)=
(E)=
(F)=

No.	Lev.	Parts No.	Description	Q'ty						I	R
				(A)	(B)	(C)	(D)	(E)	(F)		
1	1	129004-11241	SHAFT ASSY, ROCKER	1							
2	2	129004-11251	SHAFT, ROCKER ARM	1							
4	2	119802-11260	SUPPORT, ROCKER ARM	2							
5	2	119802-11270	SUPPORT, ROCKER ARM	2							
6	2	119802-11280	STUD	3							
7	2	129150-11280	SPRING	3							
8	2	129004-11650	ARM, ROCKER	6							
9	3	129150-11230	SCREW, VALVE ADJUST	6							
11	3	129150-11750	NUT, M8	6							
12	1	129150-11370	CAP, VALVE	6							
13	1	129009-11710	HEAD ASSY, CYLINDER	1							
21	2	27241-400000	PLUG, 40	2							
22	2	129795-11120	SPRING, VALVE	6							
23	2	129004-11130	VALVE, INTAKE	3							
24	2	129100-11130	VALVE, EXHAUST	3							
25	2	129795-11180	RETAINER, SPRING	6							
26	2	121400-11340	SEAL, VALVE STEM	3							
27	2	124460-11340	SEAL, VALVE STEM	3							
28	2	27310-080001	COTTER, 8	6							
30	1	120130-11160	GUIDE, VALVE	3							1
31	1	129150-11170	GUIDE, VALVE	3							1
32	1	119802-11870	PROTECTOR, NOZZLE	3							
33	1	119625-11880	SEAT, NOZZLE	3							
34	1	129004-11900	RETAINER, NOZZLE	3							
35	1	120270-54410	WASHER, INJECTOR	3							
36	1	22351-060012	PIN, SPRING 6.0X12	2							
37	1	26106-080252	BOLT, M8X 25 PLATED	2							
38	1	26106-080352	BOLT, M8X 35 PLATED	3							
39	1	26106-080502	BOLT, M8X 50 PLATED	6							
40	1	124160-01751	COVER, FILLER	1							
41	1	129009-11350	BONNET ASSY, HEAD	1							
42	2	129004-03010	PLATE	1							
43	2	129150-03070	BAFFLE, BREATHER	1							
44	2	119802-03110	PLATE	1							
45	2	119802-03121	COVER, DIAPHRAGM	1							
46	2	119802-03130	DIAPHRAGM	1							
47	2	119802-03141	SPRING, DIAPHRAGM	1							
49	2	129004-11310	GASKET, BONNET	1							
50	2	129009-11340	SPRING	1							
51	2	22857-500100	SCREW, 5X10	4							
52	2	22857-500100	SCREW, 5X10	4							
53	2	22857-500100	SCREW, 5X10	1							
54	1	124160-11360	KNOB	3							
55	1	24311-000120	O-RING, 1AP12.0	3							
56	1	24311-000320	O-RING, 1AP32.0	1							
57	1	129900-07900	LIFTER	2							
58	1	26106-080162	BOLT, M8X 16 PLATED	4							

Remarks
(1) REPAIR PART.

Fig.5. SUCTION MANIFOLD



(A)=3TNV84T-BMCU
(B)=
(C)=

(D)=
(E)=
(F)=

No.	Lev.	Parts No.	Description	Q'ty						I	R
				(A)	(B)	(C)	(D)	(E)	(F)		
1	1	129009-12060	PIPE, AIR INTAKE	1							
2	1	129006-12101	MANIFOLD, AIR INTAKE	1							
3	1	129001-12110	GASKET, MANIFOLD	1							
4	1	23000-041000	CLAMP, 41	1							
5	1	23000-060000	CLAMP, 60	1							
6	1	26106-080202	BOLT, M8X 20 PLATED	4							
7	1	26106-080802	BOLT, M8X 80 PLATED	1							
8	1	129033-77500	HEATER	1							
9	1	129400-77501	HEATER	1							
10	1	129100-77510	GASKET	1							
11	1	129150-77511	GASKET	1							
12	1	26106-080552	BOLT, M8X 55 PLATED	4							
13	1	129009-03050	JOINT, BREATHER	1							
14	1	129009-03080	HOSE ASSY, BREATHER	1							
15	2	129009-03090	HOSE, BREATHER	1							
16	2	129410-03990	CLIP	2							
17	1	129085-12070	PIPE, AIR INTAKE	1							
18	1	23000-060000	CLAMP, 60	2							
19	1	129950-59311	PIPE, FUEL	1							
20	2	124766-59050	CLIP, HOSE 12	2							
21	2	105025-59580	PIPE, FUEL	1							
22	2	129961-59110	TUBE, CORRUGATED	1							
23	1	129044-59010	PIPE, D13/7.5X220	1							
24	2	124766-59050	CLIP, HOSE 12	2							
25	2	129044-59100	TUBE, CORRUGATED	1							
26	2	129044-59510	PIPE, FUEL 220	1							

Fig.6. EXHAUST MANIFOLD

(A)=3TNV84T-BMCU
(B)=
(C)=

(D)=
(E)=
(F)=

No.	Lev.	Parts No.	Description	Q'ty					
				(A)	(B)	(C)	(D)	(E)	(F)
1	1	129139-13100	MANIFOLD, EXHAUST	1					
2	1	129150-13110	GASKET	1					
3	1	123900-13630	BOLT, M8X80	6					
4	1	119131-18320	STUD, M8X22	3					

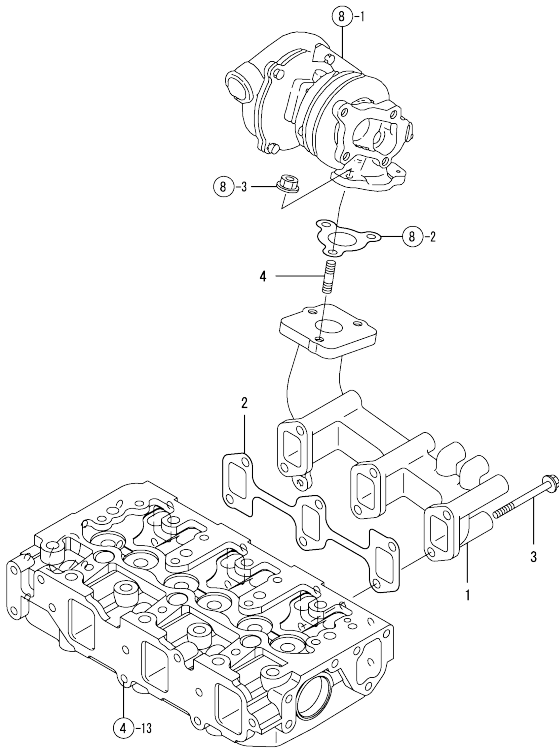
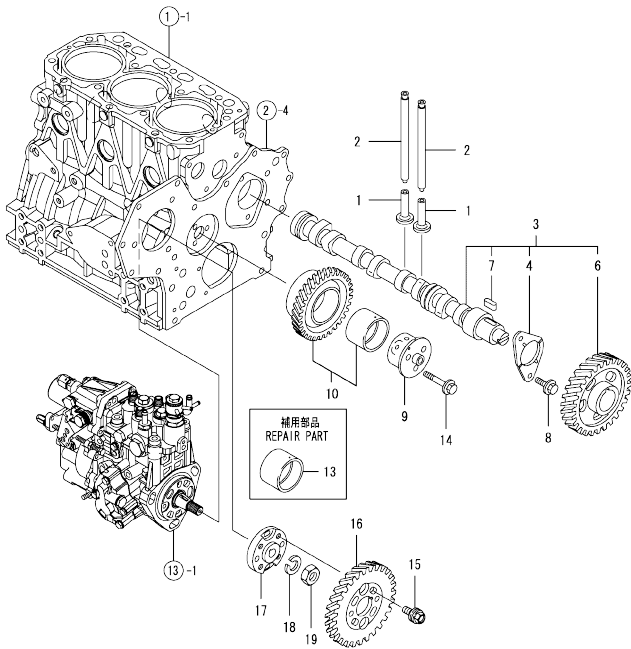


Fig.7. CAMSHAFT & DRIVING GEAR



(A)=3TNV84T-BMCU
(B)=
(C)=

(D)=
(E)=
(F)=

No.	Lev.	Parts No.	Description	Q'ty						I	R
				(A)	(B)	(C)	(D)	(E)	(F)		
1	1	129150-14200	TAPPET	6							
2	1	129150-14400	ROD, PUSH L=178	6							
3	1	129129-14580	CAMSHAFT ASSY	1							
4	2	129150-02450	BEARING, THRUST	1							
6	2	129150-14101	GEAR, CAMSHAFT	1							
7	2	22512-070140	KEY, 7X 14	1							
8	1	26106-080142	BOLT, M8X 14 PLATED	2							
9	1	119803-25050	SHAFT, IDLE	1							
10	1	119802-25101	GEAR ASSY, IDLE	1							
13	1	119802-25071	BUSH, IDLE GEAR	1							1
14	1	26106-080402	BOLT, M8X 40 PLATED	3							
15	1	129150-25301	BOLT	4							
16	1	119802-25901	GEAR, PUMP	1							
17	1	158552-51151	FLANGE	1							
18	1	22217-140000	WASHER, SPRING 14	1							
19	1	26776-140002	NUT, LOCK M14	1							

Remarks
(1) REPAIR PART.

Fig.8. TURBINE

(A)=3TNV84T-BMCU
(B)=
(C)=

(D)=
(E)=
(F)=

No.	Lev.	Parts No.	Description	Q'ty					
				(A)	(B)	(C)	(D)	(E)	(F)
1	1	129044-18010	TURBINE, RHB31W/G	1					
2	1	129535-18100	GASKET	1					
3	1	26306-080002	NUT, M8	3					
4	1	129403-18091	GASKET	1					
5	1	129418-18320	STUD, M8X20	4					

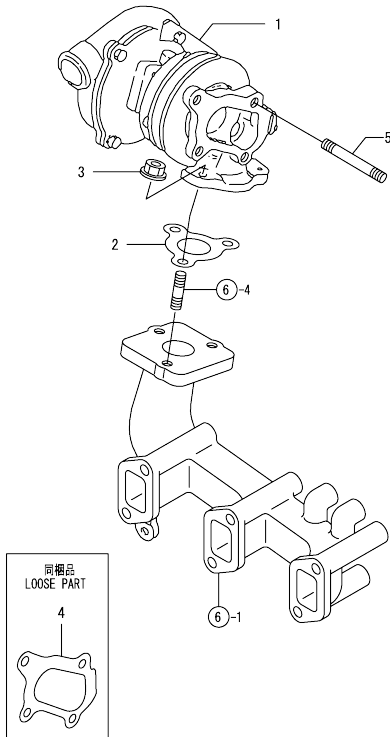
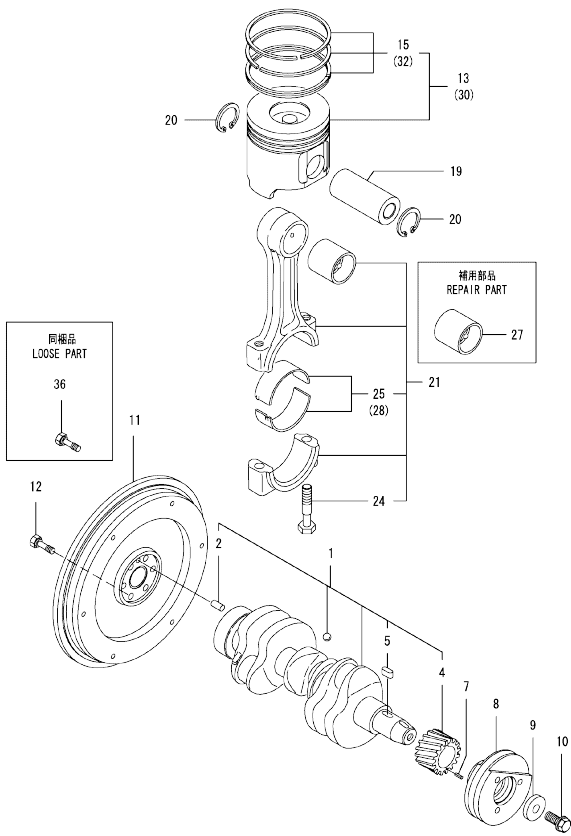


Fig.9. CRANKSHAFT & PISTON

(A)=3TNV84T-BMCU
(B)=
(C)=

(D)=
(E)=
(F)=

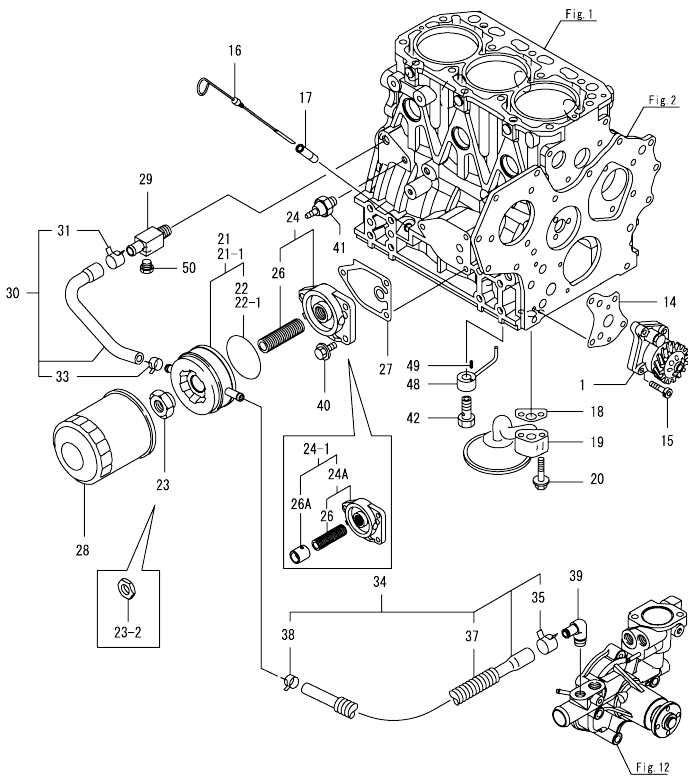


No.	Lev.	Parts No.	Description	Q'ty						I	R
				(A)	(B)	(C)	(D)	(E)	(F)		
1	1	129008-21000	CRANKSHAFT ASSY	1							
2	2	129100-01580	PIN, M8X16	1							
4	2	119803-21200	GEAR, CRANKSHAFT	1							
5	2	22512-070140	KEY, 7X 14	1							
7	1	22351-030010	PIN, SPRING 3.0X10	1							
8	1	129005-21650	V-PULLEY, 120	1							
9	1	129795-21661	WASHER	1							
10	1	121850-21680	BOLT	1							
11	1	129659-21410	FLYWHEEL	1							
12	1	121111-21501	BOLT, FLYWHEEL	6							
13	1	129007-22080	PISTON ASSY	3							
15	2	129007-22500	RING SET, PISTON	3							
19	1	129202-22300	PIN, PISTON D26 L70	3							
20	1	22252-000260	RING, 26	6							
21	1	729402-23100	ROD ASSY, CONNECTING	3							
24	2	121550-23200	BOLT, CONNECTING ROD	6							
25	2	129150-23601	BEARING, CRANK PIN	3							
27	1	129100-23910	BEARING, PISTON PIN	3							1
28	1	129150-23611	BEARING, 0.25 US	3							2
30	1	129007-22900	PISTON ASSY, 0.25 OS	3							3
32	2	129007-22950	RING SET, 0.25 OS	3							3
36	1	121111-21501	BOLT, FLYWHEEL	6							

Remarks

- (1) REPAIR PART.
- (2) UNDER-SIZED(U.S=0.25)PART.
- (3) OVER-SIZED(O.S=0.25)PART.

Fig.10. LUB.OIL SYSTEM



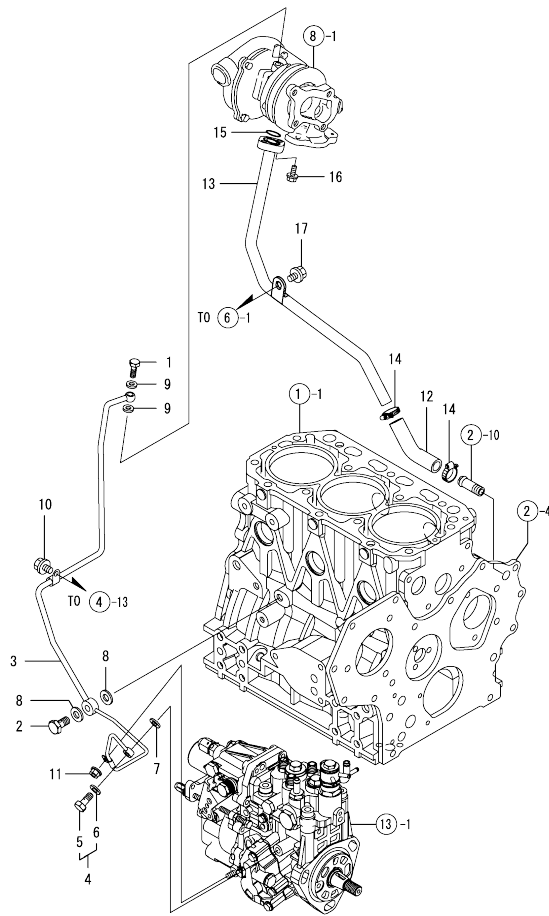
(A)=3TNV84T-BMCU
(B)=
(C)=

(D)=
(E)=
(F)=

No.	Lev.	Parts No.	Description	Q'ty						I	R
				(A)	(B)	(C)	(D)	(E)	(F)		
1	1	129418-32000	PUMP ASSY, OIL	1							
14	1	129150-32020	GASKET, PUMP	1							
15	1	26450-060252	BOLT, M6X 25	4							
16	1	129005-34802	DIPSTICK	1							
17	1	121520-34810	GUIDE, DIPSTICK	1							
18	1	129150-35042	GASKET	1							
19	1	129135-35090	PIPE ASSY, OIL INLET	1							
20	1	26106-080352	BOLT, M8X 35 PLATED	2							
21	1	129508-33010	COOLER ASSY, OIL	1							
21-1	1	129508-33031	COOLER ASSY, OIL	1							S
		(A=E78347)									
22	2	129508-33050	O-RING	1							
22-1	2	129508-33060	GASKET, COOLER	1							S
		(A=E78347)									
23	1	129417-33110	NUT	1							
23-1	1	129417-33111	NUT, OIL COOLER	1							R
		(A=E48835)									
23-2	1	124085-35350	NUT, M20	1							S
		(A=E78347)									
24	1	129006-35100	BRACKET ASSY, FILTER	1							
24-1	1	129508-35100	BRACKET ASSY, LO FILT	1							S
		(A=E78347)									
24A	2	129006-35100	BRACKET ASSY, FILTER	1							W
		(A=E78347)									
26	3	129417-35150	BOLT, STUD M20X67	1							
26A	2	129508-35150	COLLAR, OIL-COOLER	1							W
		(A=E78347)									
27	1	129150-35111	GASKET	1							
28	1	119005-35160	FILTER, OIL 80X100L	1							
29	1	129006-44480	JOINT	1							
30	1	129508-49030	HOSE ASSY, WATER	1							
31	2	171008-03990	CLAMP, HOSE 18.5	1							
33	2	23080-015000	CLAMP, 15	1							
34	1	129006-49040	HOSE ASSY, WATER	1							
35	2	171008-03990	CLAMP, HOSE 18.5	1							
37	2	129642-49180	TUBE, CORRUGATED 19	1							
38	2	23080-015000	CLAMP, 15	1							
39	1	129103-49301	ELBOW, PT1/4	1							
40	1	26106-080202	BOLT, M8X 20 PLATED	3							
41	1	114250-39450	SWITCH, HYDRAULIC	1							
42	1	129792-39410	VALVE ASSY, CHECK	3							
48	1	129553-39650	NOZZLE, COOLING	3							
49	1	22351-030010	PIN, SPRING 3.0X10	3							
50	1	171056-49120	PLUG, DRAIN R1/4	1							

0CW10-M48801 3TNV84T-BMCU
 Fig.11. LUB.OIL LINE

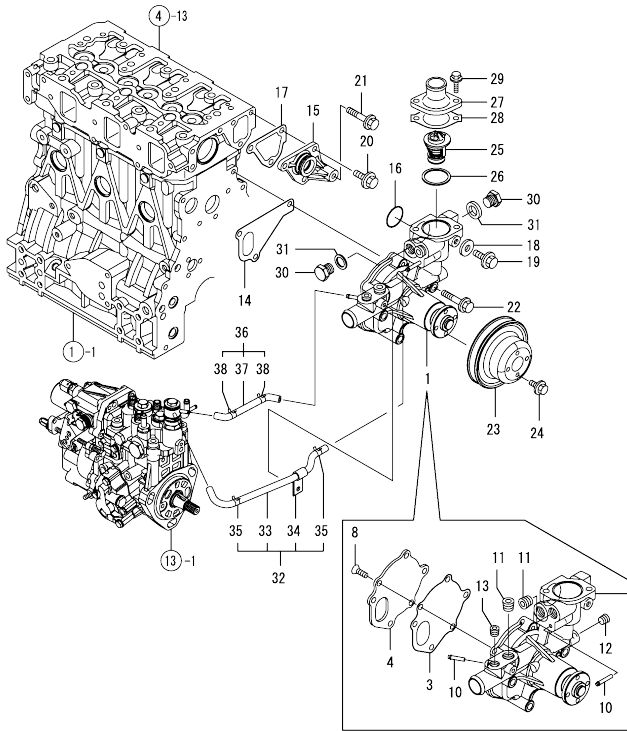
0CW10-M48801 Fig.11



No.	Lev.	Parts No.	Description	Q'ty						I	R
				(A)	(B)	(C)	(D)	(E)	(F)		
1	1	105010-39140	BOLT, PIPE JOINT	1							
2	1	124160-39140	BOLT, PIPE JOINT M10	1							
3	1	129006-39450	PIPE ASSY, OIL	1							
4	1	129005-59830	BOLT ASSY, JOINT M8	1							
5	2	22190-080002	WASHER, SEAL 6	1							
6	2	23857-030000	BOLT, JOINT 3	1							
7	1	22190-080002	WASHER, SEAL 6	1							
8	1	22190-100002	WASHER, SEAL 10	2							
9	1	23414-080000	GASKET, 8X1.0	2							
10	1	26106-080122	BOLT, M8X 12 PLATED	1							
11	1	26366-060002	NUT, M6	1							
12	1	129044-39610	JOINT, RUBBER	1							
13	1	129139-39610	PIPE, OIL	1							
14	1	23000-022000	CLAMP, 22	2							
15	1	24316-000160	O-RING, 4DP16.0	1							
16	1	26106-060162	BOLT, M6X 16 PLATED	2							
17	1	26106-080122	BOLT, M8X 12 PLATED	1							

N:Old $\frac{New}{Old}$ New, Q:Old $\frac{New}{Old}$ New, R:Old $\frac{New}{Old}$ New, S:Old $\frac{New}{Old}$ New, W:Add, Z:Discontinued, F:Interchangeable by set, K:Q'ty Change
 Copyright (C) YANMAR GLOBAL CS CO., LTD. All Rights Reserved.

Fig.12. COOLING WATER SYSTEM

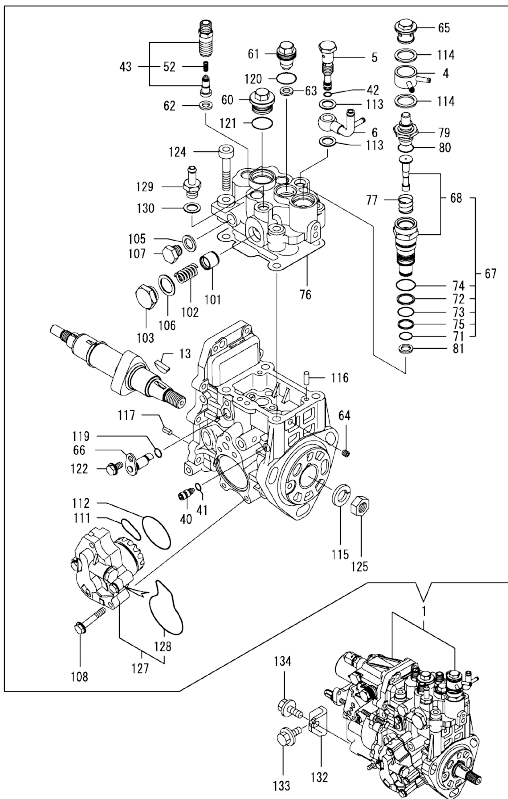


(A)=3TNV84T-BMCU
(B)=
(C)=

(D)=
(E)=
(F)=

No.	Lev.	Parts No.	Description	Qty						I	R	
				(A)	(B)	(C)	(D)	(E)	(F)			
1	1	129004-42001	PUMP ASSY, WATER	1								
3	2	129100-42051	GASKET, WATER PUMP	1								
4	2	129100-42121	PLATE	1								
8	2	121850-42410	SCREW	3								
10	2	119802-49113	JOINT, PIPE	2								
11	2	129916-49740	PLUG, R03	2								
12	2	23876-010000	PLUG, R01	1								
13	2	23876-020000	PLUG, R02	1								
14	1	129486-42021	GASKET, WATER PUMP	1								
15	1	129004-42040	JOINT	1								
16	1	129486-42140	O-RING, G30	1								
17	1	124395-49840	GASKET	1								
18	1	23414-080000	GASKET, 8X1.0	1								
19	1	26106-080122	BOLT, M8X 12 PLATED	1								
20	1	26106-080162	BOLT, M8X 16 PLATED	3								
21	1	26106-080452	BOLT, M8X 45 PLATED	1								
22	1	26106-080602	BOLT, M8X 60 PLATED	3								
23	1	129403-42380	V-PULLEY, D=110	1								
24	1	26106-060122	BOLT, M6X 12 PLATED	4								
25	1	129457-49801	THERMOSTAT, 82	1								
26	1	129150-49811	GASKET, THERMOSTAT	1								
27	1	129350-49530-1	COVER, THERMOSTAT	1								
28	1	129795-49551	GASKET	1								
29	1	26106-080222	BOLT, M8X 22 PLATED	2								
30	1	121450-42450	PLUG, M16	2								
31	1	124465-44950	GASKET, 16	2								
32	1	129004-49610	PIPE ASSY, WATER	1								
33	2	129004-49711	PIPE ASSY, WATER	1								
34	2	119802-49730	RETAINER, PIPE	1								
35	2	124722-59050	CLIP, HOSE 9	2								
36	1	129004-49620	PIPE ASSY, WATER	1								
37	2	129004-49721	PIPE ASSY, WATER	1								
38	2	124722-59050	CLIP, HOSE 9	2								

Fig.13. FUEL INJECTION PUMP



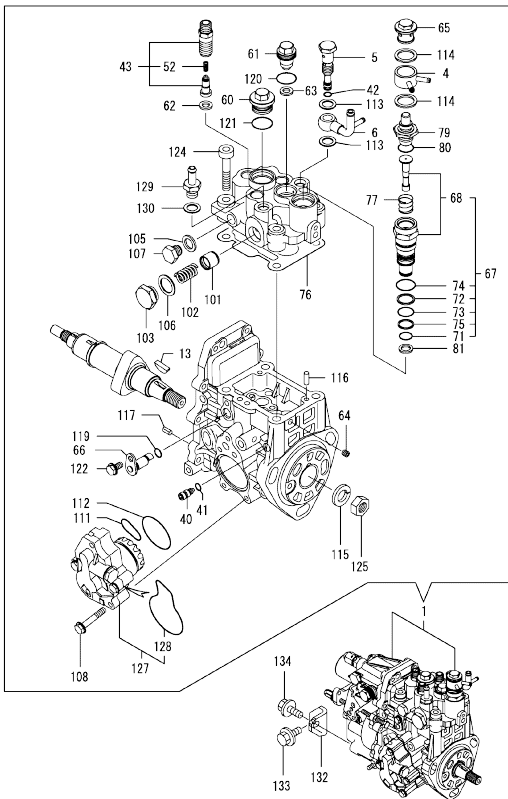
(A)=3TNV84T-BMCU
(B)=
(C)=

(D)=
(E)=
(F)=

No.	Lev.	Parts No.	Description	Qty						I	R	
				(A)	(B)	(C)	(D)	(E)	(F)			
1	1	729083-51310	PUMP ASSY, INJECTION	1							1	
4	2	158553-51551	JOINT	1								
5	2	158601-51650	JOINT, OVER FLOW	1								
6	2	158552-51670	JOINT, OVER FLOW	1								
13	2	119802-51090	KEY, 4X16	1								
40	2	158600-51270	STOPPER, TAPPET	1								
41	2	158563-51281	O-RING, 4D S6	1								
42	2	158563-51281	O-RING, 4D S6	1								
43	2	129009-51390	VALVE ASSY, DELIVERY	3								
52	3	158563-51330	SPRING, DELIVERY	3								
60	2	158601-51550	PLUG	1								
61	2	119802-51560	PLUG, BARREL	1								
62	2	158552-51571	GASKET	3								
63	2	158552-51571	GASKET	1								
64	2	158557-51570	PLUG	1								
65	2	158601-51570	PLUG	1								
66	2	158552-51580	LIFTER	1								
67	2	119802-51590	TIMER SET	1								
68	3	119802-51600	TIMER ASSY	1								
71	3	158553-51670	O-RING, 1011	1								
72	3	119802-51680	RING, BACK UP	1								
73	3	119802-51690	O-RING	1								
74	3	24356-010200	O-RING, 4D1020	1								
75	3	24372-000150	RING, BACK UP T2P15	1								
76	2	158552-51600	GASKET	1								
77	2	158553-51630	SPRING, TIMER	1								
79	2	158553-51640	ELEMENT	1								
80	2	158553-51660	O-RING, P14	1								
81	2	158553-51680	GASKET	1								
101	2	158601-51770	PISTON	1								
102	2	158552-51781	SPRING	1								
103	2	158601-51790	PLUG	1								
105	2	22190-120002	WASHER, SEAL 12	1								
106	2	22190-180002	WASHER, SEAL 18	1								
107	2	158553-51930	PLUG, M12	1								
108	2	158553-51770	BOLT	4								
111	2	158552-52310	O-RING	1								
112	2	158552-52400	O-RING, 4E S42	1								
113	2	22190-120002	WASHER, SEAL 12	2								
114	2	22190-180002	WASHER, SEAL 18	2								
115	2	22217-140000	WASHER, SPRING 14	1								
116	2	22312-050140	PIN, PARALLEL M5X14	2								
117	2	22351-050010	PIN, SPRING 5.0X10	2								
119	2	24311-000070	O-RING, 1AP7.0	1								
120	2	24356-010180	O-RING, 4D1018	1								
121	2	24356-010200	O-RING, 4D1020	1								
122	2	26106-060102	BOLT, M6X 10 PLATED	1								
124	2	26450-080452	BOLT, M8X 45	4								
125	2	26776-140002	NUT, LOCK M14	1								
127	2	158552-52150	PUMP ASSY, FUEL FEED	1								
128	3	158552-52500	O-RING	1								

Remarks
(1) GOVERNOR ASSY(FIG.14) IS
INCORPORATED IN THIS FOP.CMP
(REF.NO.1).

Fig.13. FUEL INJECTION PUMP



(A)=3TNV84T-BMCU
(B)=
(C)=

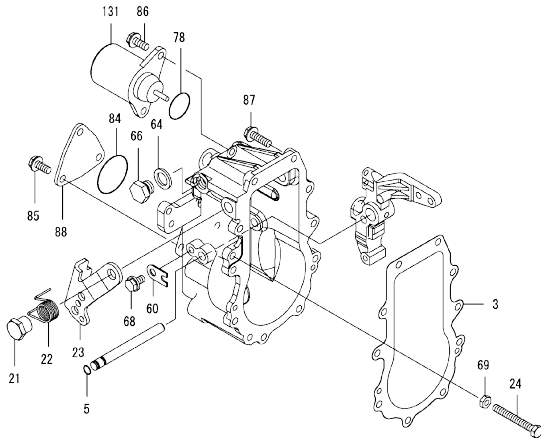
(D)=
(E)=
(F)=

No.	Lev.	Parts No.	Description	Q'ty						I	R
				(A)	(B)	(C)	(D)	(E)	(F)		
129	2	119934-59910	JOINT, PIPE	1							
130	2	22190-120002	WASHER, SEAL 12	1							
132	1	119802-51250	RETAINER, PUMP	1							
133	1	26106-080162	BOLT, M8X 16 PLATED	1							
134	1	26106-080202	BOLT, M8X 20 PLATED	1							

Remarks
(1) GOVERNOR ASSY(FIG.14) IS
INCORPORATED IN THIS FOP.CMP
(REF.NO.1).

0CW10-M48801 3TNV84T-BMCU
 Fig.14. GOVERNOR

0CW10-M48801 Fig.14



(A)=3TNV84T-BMCU
 (B)=
 (C)=

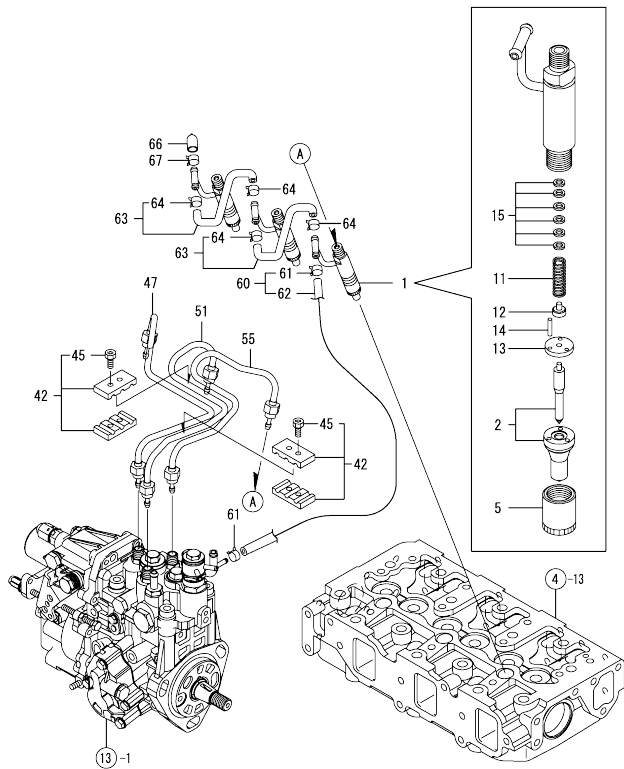
(D)=
 (E)=
 (F)=

No.	Lev.	Parts No.	Description	Q'ty						I	R
				(A)	(B)	(C)	(D)	(E)	(F)		
3	2	158553-61050	GASKET	1							
5	2	129155-51280	O-RING, S6	1							
21	2	129255-61410	NUT, LOCK	1							
22	2	119807-61420	SPRING, RETURN	1							
23	2	158552-61441	LEVER, REGULATOR	1							
24	2	129155-61460	BOLT, IDLE	1							
60	2	119660-61901	RETAINER, SHAFT	1							
64	2	22190-120002	WASHER, SEAL 12	1							
66	2	158553-51930	PLUG, M12	1							
68	2	26106-060102	BOLT, M6X 10 PLATED	1							
69	2	26756-060002	NUT, LOCK M6	1							
78	2	158552-61900	O-RING	1							
84	2	24341-000360	O-RING, 1AS36.0	1							
85	2	26106-060142	BOLT, M6X 14 PLATED	3							
86	2	26106-060142	BOLT, M6X 14 PLATED	2							
87	2	26106-060202	BOLT, M6X 20 PLATED	10							
88	2	158563-61060	COVER, GOVERNOR CASE	1							
131	2	119653-77950	SOLENOID, STOP	1							

Remarks
 * THIS FIGURE(GOVERNOR ASSY)IS
 INCORPORATED IN THE FUEL INJECTION
 PUMP ASSY(FIG.13).

N:Old $\frac{100}{100}$ New, Q:Old $\frac{100}{100}$ New, R:Old $\frac{100}{100}$ New, S:Old $\frac{100}{100}$ New, W:Add, Z:Discontinued, F:Interchangeable by set, K:Qty Change
 Copyright (C) YANMAR GLOBAL CS CO., LTD. All Rights Reserved.

Fig.15. FUEL INJECTION VALVE



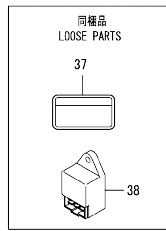
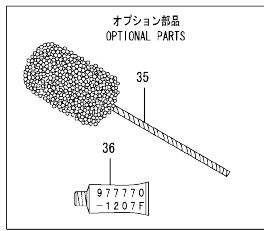
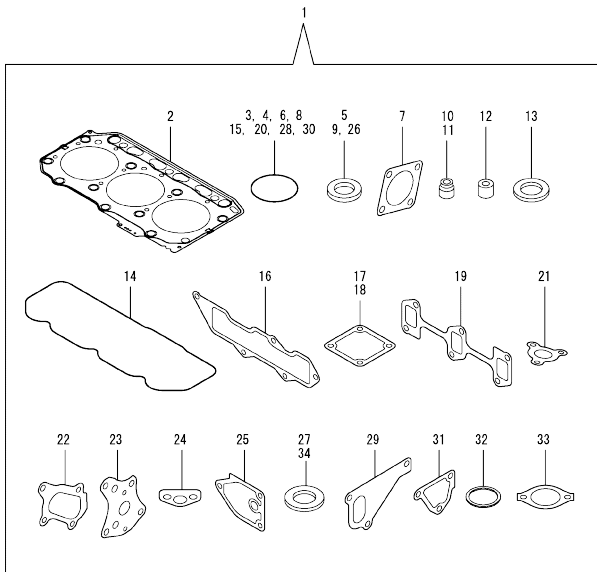
(A)=3TNV84T-BMCU
(B)=
(C)=

(D)=
(E)=
(F)=

No.	Lev.	Parts No.	Description	Q'ty						I	R
				(A)	(B)	(C)	(D)	(E)	(F)		
1	1	729604-53200	VALVE ASSY,INJECTION	3							
2	2	129604-53000	VALVE ASSY,INJECTION	3							
5	2	114250-53080	NUT, NOZZLE D16.95	3							
11	2	114250-53120	SPRING, NOZZLE	3							
12	2	114250-53130	SEAT, SPRING	3							
13	2	114250-53140	PLATE	3							
14	2	114250-53210	PIN	6							
15	2	119803-53400	SHIM SET	3							
42	1	129150-59120	RETAINER, PIPE	2							
45	2	129150-59131	BOLT, M4X14	4							
47	1	129004-59811	PIPE ASSY, INJECTION	1							
51	1	129004-59821	PIPE ASSY, INJECTION	1							
55	1	129004-59831	PIPE ASSY, INJECTION	1							
60	1	119802-59550	PIPE ASSY, RETURN	1							
61	2	124722-59050	CLIP, HOSE 9	2							
62	2	119802-59560	PIPE, FUEL RETURN	1							
63	1	129486-59551	PIPE ASSY, RETURN	2							
64	2	124722-59050	CLIP, HOSE 9	4							
66	1	119593-59581	CAP	1							
67	1	124060-77680	CLIP, HOSE 10	1							

Fig.16. GASKET SET

(A)=3TNV84T-BMCU
(D)=
(E)=
(F)=



No.	Lev.	Parts No.	Description	Qty						I	R	
				(A)	(B)	(C)	(D)	(E)	(F)			
1	1	729246-92940	GASKET SET	1							1	
2	2	129002-01331	GASKET, HEAD	1								
3	2	119609-32040	O-RING, P16	2								
4	2	121850-51960	O-RING	1								
5	2	22190-080002	WASHER, SEAL 6	7								
6	2	24311-000320	O-RING, 1AP32.0	2								
7	2	124240-01883	GASKET	1								
8	2	24341-000240	O-RING, 1AS24.0	1								
9	2	22190-220002	WASHER, SEAL 22	1								
10	2	121400-11340	SEAL, VALVE STEM	3								
11	2	124460-11340	SEAL, VALVE STEM	3								
12	2	119802-11870	PROTECTOR, NOZZLE	3								
13	2	119625-11880	SEAT, NOZZLE	3								
14	2	129004-11310	GASKET, BONNET	1								
15	2	24311-000120	O-RING, 1AP12.0	3								
16	2	129001-12110	GASKET, MANIFOLD	1								
17	2	129100-77510	GASKET	1								
18	2	129150-77511	GASKET	1								
19	2	129150-13110	GASKET	1								
20	2	24321-000800	O-RING, 1AG80.0	1								
21	2	129535-18100	GASKET	1								
22	2	129403-18091	GASKET	1								
23	2	129150-32020	GASKET, PUMP	1								
24	2	129150-35042	GASKET	1								
25	2	129150-35111	GASKET	1								
26	2	22190-100002	WASHER, SEAL 10	2								
27	2	23414-080000	GASKET, 8X1.0	3								
28	2	24316-000160	O-RING, 4DP16.0	1								
29	2	129486-42021	GASKET, WATER PUMP	1								
30	2	129486-42140	O-RING, G30	1								
31	2	124395-49840	GASKET	1								
32	2	129150-49811	GASKET, THERMOSTAT	1								
33	2	129795-49551	GASKET	1								
34	2	124465-44950	GASKET, 16	2								
35	1	129400-92420	HONE	1								1
36	1	977770-1207F	GASKET, LIQUID	1								1
37	1	114110-07760	LABEL, FUEL CAUTION	1								
38	1	119129-77920	TIMER	1								

Remarks
(1) OPTIONAL PART.

Parts No. Index

Parts No.	Fig. No.	Ref. No.
105010-39140	11	1
105025-59580	5	21
114110-07760	16	37
114250-39450	10	41
114250-53080	15	5
114250-53120	15	11
114250-53130	15	12
114250-53140	15	13
114250-53210	15	14
119005-35160	10	28
119129-77920	16	38
119131-18320	6	4
119593-59581	15	66
119609-32040	2	9
	16	3
119625-11880	4	33
	16	13
119640-01640	3	4
119653-77950	14	131
119660-61901	14	60
119802-01561	2	5
119802-03110	4	44
119802-03121	4	45
119802-03130	4	46
119802-03141	4	47
119802-11260	4	4
119802-11270	4	5
119802-11280	4	6
119802-11870	4	32
	16	12
119802-25071	7	13
119802-25101	7	10
119802-25901	7	16
119802-49113	12	10
119802-49730	12	34
119802-51090	13	13
119802-51250	13	132
119802-51560	13	61
119802-51590	13	67
119802-51600	13	68
119802-51680	13	72
119802-51690	13	73
119802-59550	15	60
119802-59560	15	62
119803-21200	9	4
119803-25050	7	9
119803-53400	15	15
119807-61420	14	22
119934-01800	2	3
119934-59910	13	129

Parts No.	Fig. No.	Ref. No.
120130-11160	4	30
120270-54410	4	35
121023-01551	2	21
121111-21501	9	12
		36
121400-11340	4	26
	16	10
121450-42450	12	30
121520-34810	10	17
121550-23200	9	24
121850-21680	9	10
121850-42410	12	8
121850-51960	2	11
	16	4
123900-13630	6	3
124060-01050	1	11
124060-77680	15	67
124085-35350	10	23 -2
124160-01751	2	6
	4	40
124160-01910	1	12
		13
124160-11360	4	54
124160-39140	11	2
124240-01871	2	7
124240-01883	16	7
124395-49840	12	17
	16	31
124460-11340	4	27
	16	11
124465-44950	12	31
	16	34
124722-59050	12	35
		38
	15	61
		64
124766-59050	5	20
		24
129001-01250	1	4
129001-02931	1	29
129001-12110	5	3
	16	16
129002-01331	1	28
	16	2
129004-03010	4	42
129004-11130	4	23
129004-11241	4	1
129004-11251	4	2
129004-11310	4	49
	16	14

Parts No.	Fig. No.	Ref. No.
129004-11650	4	8
129004-11900	4	34
129004-42001	12	1
129004-42040	12	15
129004-49610	12	32
129004-49620	12	36
129004-49711	12	33
129004-49721	12	37
129004-59811	15	47
129004-59821	15	51
129004-59831	15	55
129005-21650	9	8
129005-34802	10	16
129005-59830	11	4
129006-12101	5	2
129006-35100	10	24
		24 A
129006-39450	11	3
129006-44480	10	29
129006-49040	10	34
129007-22080	9	13
129007-22500	9	15
129007-22900	9	30
129007-22950	9	32
129008-21000	9	1
129009-01520	2	4
129009-03050	5	13
129009-03080	5	14
129009-03090	5	15
129009-11340	4	50
129009-11350	4	41
129009-11710	4	13
129009-12060	5	1
129009-51390	13	43
129033-77500	5	8
129044-18010	8	1
129044-39610	11	12
129044-59010	5	23
129044-59100	5	25
129044-59510	5	26
129085-12070	5	17
129100-01580	3	1
		10
	9	2
129100-01640	3	11
129100-01730	3	2
129100-11130	4	24
129100-23910	9	27
129100-42051	12	3
129100-42121	12	4

Parts No.	Fig. No.	Ref. No.
129100-77510	5	10
	16	17
129103-49301	10	39
129122-44480	2	10
129129-14580	7	3
129135-35090	10	19
129139-13100	6	1
129139-39610	11	13
129150-01200	1	27
129150-02020	1	6
129150-02450	7	4
129150-02871	1	32
129150-02931	1	24
129150-02941	1	35
129150-03070	4	43
129150-11170	4	31
129150-11230	4	9
129150-11280	4	7
129150-11370	4	12
129150-11750	4	11
129150-13110	6	2
	16	19
129150-14101	7	6
129150-14200	7	1
129150-14400	7	2
129150-23601	9	25
129150-23611	9	28
129150-25301	7	15
129150-32020	10	14
	16	23
129150-35042	10	18
	16	24
129150-35111	10	27
	16	25
129150-49811	12	26
	16	32
129150-59120	15	42
129150-59131	15	45
129150-77511	5	11
	16	18
129155-51280	14	5
129155-61460	14	24
129175-01770	3	3
129202-22300	9	19
129255-61410	14	21
129350-49530-1	12	27
129400-77501	5	9
129400-92420	16	35
129403-18091	8	4
	16	22

Parts No. Index

Parts No.	Fig. No.	Ref. No.
129403-42380	12	23
129410-03990	5	16
129417-33110	10	23
129417-33111	10	23 -1
129417-35150	10	26
129418-18320	8	5
129418-32000	10	1
129457-49801	12	25
129486-01670	3	14
129486-42021	12	14
	16	29
129486-42140	12	16
	16	30
129486-59551	15	63
129508-33010	10	21
129508-33031	10	21 -1
129508-33050	10	22
129508-33060	10	22 -1
129508-35100	10	24 -1
129508-35150	10	26 A
129508-49030	10	30
129535-18100	8	2
	16	21
129553-39650	10	48
129604-53000	15	2
129642-49180	10	37
129659-21410	9	11
129792-39410	10	42
129795-01780	3	13
129795-01950	2	8
129795-02412	1	9
129795-11120	4	22
129795-11180	4	25
129795-21661	9	9
129795-49551	12	28
	16	33
129900-07900	4	57
129916-49740	12	11
129950-59311	5	19
129961-59110	5	22
158552-51151	7	17
158552-51571	13	62
		63
158552-51580	13	66
158552-51600	13	76
158552-51670	13	6
158552-51781	13	102
158552-52150	13	127
158552-52310	13	111
158552-52400	13	112

Parts No.	Fig. No.	Ref. No.
158552-52500	13	128
158552-61441	14	23
158552-61900	14	78
158553-51551	13	4
158553-51630	13	77
158553-51640	13	79
158553-51660	13	80
158553-51670	13	71
158553-51680	13	81
158553-51770	13	108
158553-51930	13	107
	14	66
158553-61050	14	3
158557-51570	13	64
158563-51281	13	41
		42
158563-51330	13	52
158563-61060	14	88
158600-51270	13	40
158601-51550	13	60
158601-51570	13	65
158601-51650	13	5
158601-51770	13	101
158601-51790	13	103
171008-03990	10	31
		35
171051-01921	1	5
171056-49120	10	50
22190-080002	2	12
		13
	11	5
		7
	16	5
22190-100002	11	8
	16	26
22190-120002	13	105
		113
		130
	14	64
22190-180002	13	106
		114
22190-220002	3	6
	16	9
22217-140000	7	18
	13	115
22252-000260	9	20
22312-050140	13	116
22351-030010	9	7
	10	49
22351-050010	13	117

Parts No.	Fig. No.	Ref. No.
22351-060012	4	36
22512-070140	7	7
	9	5
22857-500100	4	51
		52
		53
23000-022000	11	14
23000-041000	5	4
23000-060000	5	5
		18
23080-015000	10	33
		38
23414-080000	11	9
	12	18
	16	27
23857-030000	11	6
23876-010000	12	12
23876-020000	12	13
24311-000070	13	119
24311-000120	4	55
	16	15
24311-000320	2	14
	4	56
	16	6
24316-000160	11	15
	16	28
24321-000800	16	20
24341-000240	2	22
	16	8
24341-000360	14	84
24356-010180	13	120
24356-010200	13	74
		121
24372-000150	13	75
26106-060102	13	122
	14	68
26106-060122	12	24
26106-060142	14	85
		86
26106-060162	2	23
	11	16
26106-060202	14	87
26106-080122	11	10
		17
	12	19
26106-080142	7	8
26106-080162	2	15
		16
	3	7
	4	58

Parts No.	Fig. No.	Ref. No.
26106-080162	12	20
	13	133
26106-080202	5	6
	10	40
	13	134
26106-080222	12	29
26106-080252	3	8
	4	37
26106-080302	2	17
26106-080352	3	15
	4	38
	10	20
26106-080402	7	14
26106-080452	3	9
		9 -1
	12	21
26106-080502	3	16
	4	39
26106-080552	2	18
	5	12
26106-080602	12	22
26106-080802	5	7
26106-080852	2	19
26306-080002	2	20
	8	3
26366-060002	11	11
26450-060252	10	15
26450-080452	13	124
26756-060002	14	69
26776-140002	7	19
	13	125
27241-120000	1	14
27241-300000	1	10
27241-400000	4	21
27310-080001	4	28
719803-01500	2	1
729006-01560	1	1
729083-51310	13	1
729246-92940	16	1
729402-23100	9	21
729604-53200	15	1
977770-1207F	16	36