

0CW10-M72900EN

P R E F A C E

1. This parts catalog is the 1st edition of 3TNV84T-BKWM for WEIDEMANN.

Pub.No. : 0CW10-G72900

Published : October, 2011

2. Model name

Engine model	Vehicle	Vehicle made by
3TNV84T-BKWM	TELEHANDLER	WEIDEMANN

Directions for the Parts Catalog.

1. This Parts Catalog shows both standard and optional parts.
2. Parts may change without prior notice.
3. The following is an example of the Parts Catalog format.

REF.	LEV.	PARTS NO.	DESCRIPTION	Q'TY						I	R
				(A)	(B)	(C)	(D)	(E)	(F)		
1	1	729595-51390	FUEL INJECTION PUMP	1	1	1	1	1			1
1-1	1	729595-51391	FUEL INJECTION PUMP	1	1	1	1	1		N	1
		(A=E00185) (B=E00200)									
3	2	26022-060162	SCREW M 6X 16	9	9	9	9	9			
3-1	2	26022-060162	SCREW M 6X 16	4	4	4	4	4		K	
		(A=E00156) (B=E00156) (C=E00156) (D=E00156) (E=E00156)									
4	2	129470-51040	CAMSHAFT	1	1	1	1	1			
5	2	122710-51050	BEARING, ROLLER	2	2	2	2	2			
6	2	129470-51060	RETAINER	1	1	1	1	1			

Remarks
(1) BOOST COMPEMSATOR TYPE. OPTIONAL PART, TO E00155,(4JH-DT, 4JH-DTZ

① Ref. No.

The Ref. No. listed may not be in accordance with the illustration Ref. No.

(Ex.) Illustration No.

List Ref No.

1

1

(Before change)

1-1

(After change)

For interchangeable symbols N, R and K, illustrations for new parts may be abbreviated.

② Lev. (Level)

Level indication

The numbers below indicate the level of relativity towards the main part.

1 ----- Main parts (Assembly parts)

2 ----- Sub component included in " 1 ".

3 ----- Sub component included in " 2 ".

Note) Parts that are not for sale are partially illustrated but not listed.

③ Interchangeability Symbol

When a part change takes place, one of the following interchangeability symbols is indicated beside the part.

Symbol	Interchangeability	Contents note
N	Old $\begin{matrix} \leftarrow \text{Yes} \\ \text{No} \rightarrow \end{matrix}$ New	New Part is interchangeable for Old Part but Old Part is not interchangeable for New Part.
Q	Old $\begin{matrix} \leftarrow \text{No} \\ \text{Yes} \rightarrow \end{matrix}$ New	New Part is not interchangeable for Old Part but Old Part is interchangeable for New Part.
R	Old $\begin{matrix} \leftarrow \text{Yes} \\ \text{Yes} \rightarrow \end{matrix}$ New	New/ Old Parts are both interchangeable.
S	Old $\begin{matrix} \leftarrow \text{No} \\ \text{No} \rightarrow \end{matrix}$ New	New/ Old Parts are both not interchangeable.
W		Part newly added.
Z		Part discontinued.
F		Not interchangeable by a single part but interchangeable together with related parts.
K		Changes only for used parts quantities.

④ Effective Machine No.

When a part changes, the effective Machine No. will be indicated in the (A)-(F) column.

Product Symbol	Product No.	Product Symbol	Product No.
C	Clutch No. Compressor No.	F	Machine No. (Agricultural Equip.)
D	Drive No.	M	Machine No.
E	Engine No.		

Note 1) A date may follow the symbol. (Ex.) 1996.01

Note 2) "XXXXX" and "ZZZZZ" are for parts that could not be predicted or for engine models that could not be identified.

Note 3) (A=E00185) is the E (Engine Serial Number) for the column (A) model (in this case 4JH-DT) after the parts design change.

⑤ Remarks

Figures or alphabets (symbols) are entered in the remarks column.

The comments (remarks) on parts that are indicated at the bottom of the illustration are the same symbols as those stated above.

Contents

0CW10-M72900

Fig. No. Fig. Name

3TNV84T-BKWM

1. CYLINDER BLOCK
2. GEAR HOUSING
3. FLYWHEEL HOUSING & OIL SUMP
4. CYLINDER HEAD & BONNET
5. SUCTION MANIFOLD
6. EXHAUST MANIFOLD
7. CAMSHAFT & DRIVING GEAR
8. TURBINE
9. CRANKSHAFT & PISTON
10. HYDRAULIC PUMP
11. LUB. OIL SYSTEM
12. LUB. OIL LINE
13. COOLING WATER SYSTEM
14. FUEL INJECTION PUMP
15. GOVERNOR
16. FUEL INJECTION VALVE
17. FUEL FILTER
18. STARTING MOTOR
19. GENERATOR
20. GASKET SET

Fig. No. Fig. Name

Fig.1. CYLINDER BLOCK

(A)=3TNV84T-BKWM

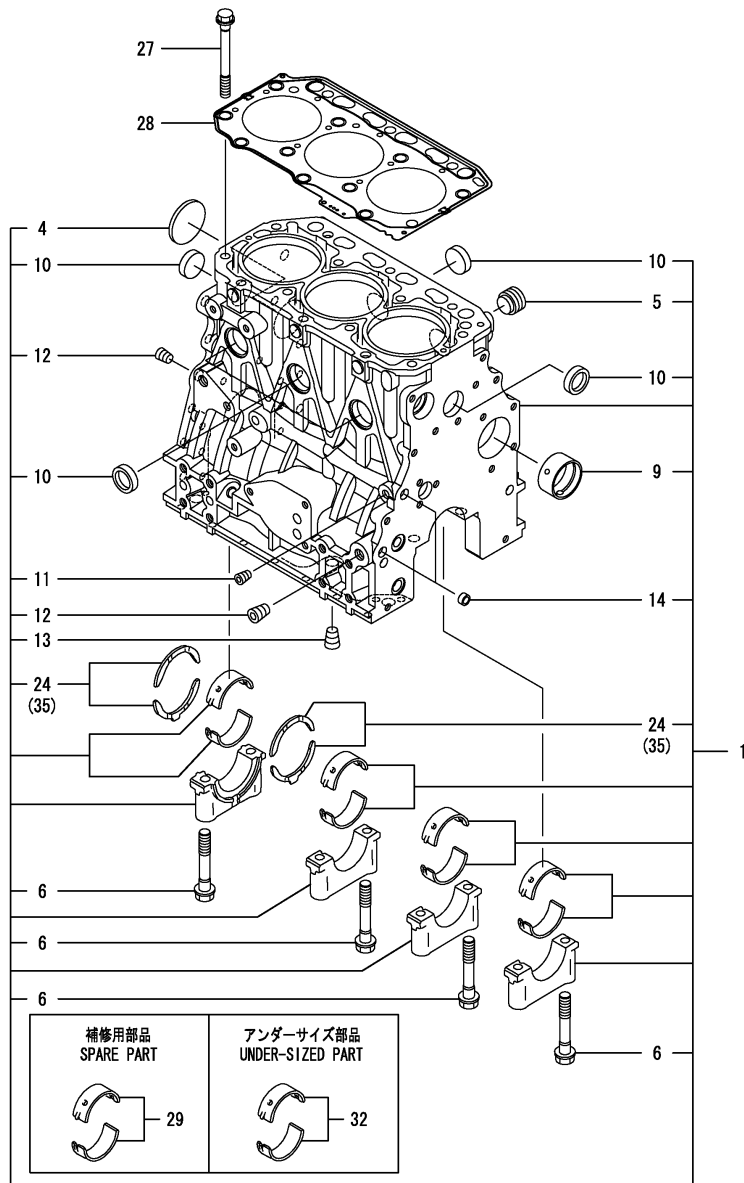
(B)=

(C)=

(D)=

(E)=

(F)=



No.	Lev.	Parts No.	Description	Q'ty						I	R
				(A)	(B)	(C)	(D)	(E)	(F)		
1	1	729006-01560	BLOCK ASSY, CYLINDER	1							
4	2	129001-01250	PLUG, 50	1							
5	2	171051-01921	PLUG, NPTF1	1							
6	2	129150-02020	BOLT, METAL CAP	8							
9	2	129795-02412	BUSH, CAMSHAFT	1							
10	2	27241-300000	PLUG 30	6							
11	2	124060-01050	PLUG, PT1/8	1							
12	2	124160-01910	PLUG, PT1/4	2							
13	2	124160-01910	PLUG, PT1/4	1							
14	2	27241-120000	PLUG, 12	2							
24	2	129150-02931	BEARING, THRUST	2							
27	1	129150-01200	BOLT, HEAD	14							
28	1	129002-01331	GASKET, HEAD	1							
29	1	129001-02931	BEARING, MAIN	4							1
32	1	129150-02871	BEARING, 0.25 US	4							2
35	1	129150-02941	BEARING, THRUST 0.25	1							3

Remarks

- (1) Spare part.
- (2) Under-sized(U.S.=0.25)part.
- (3) Over-sized(O.S.=0.25)part.

Fig.2. GEAR HOUSING

(A)=3TNV84T-BKWM

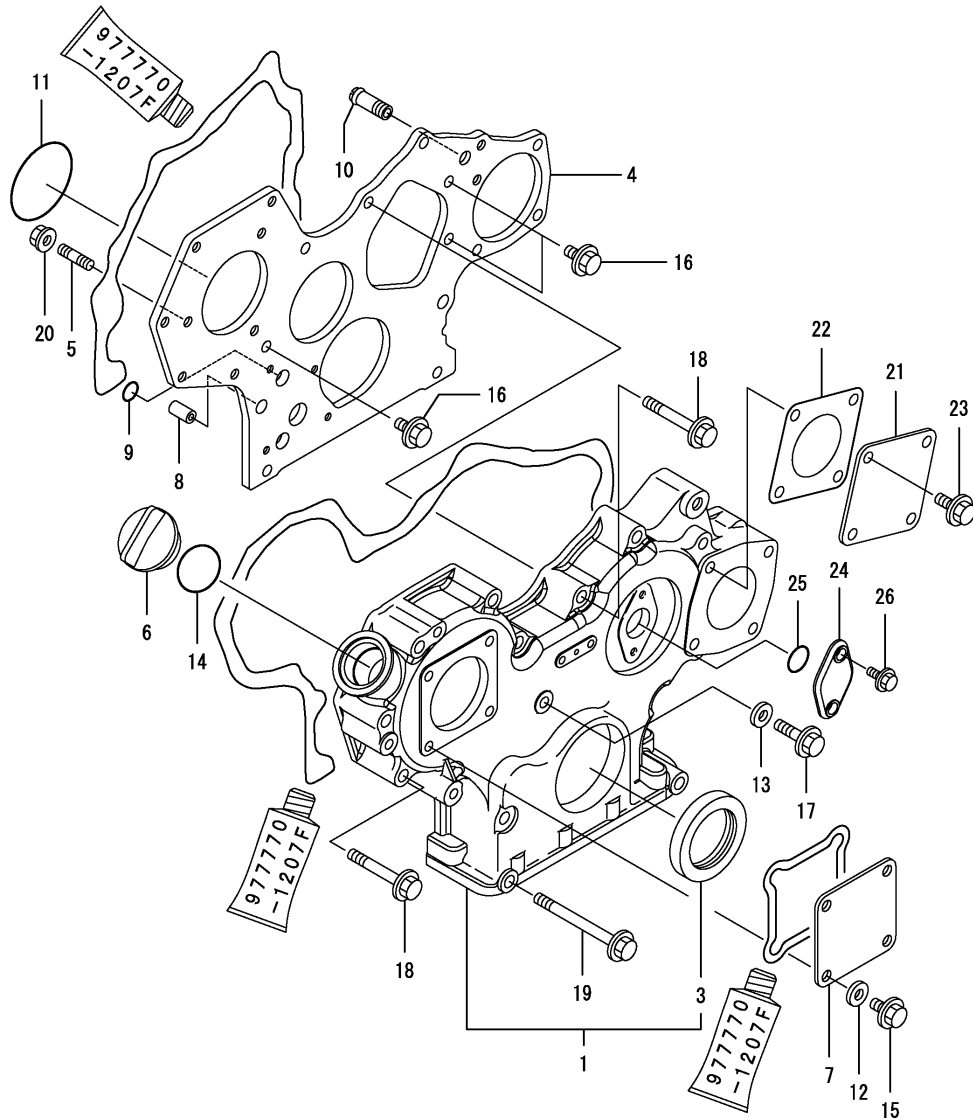
(B)=

(C)=

(D)=

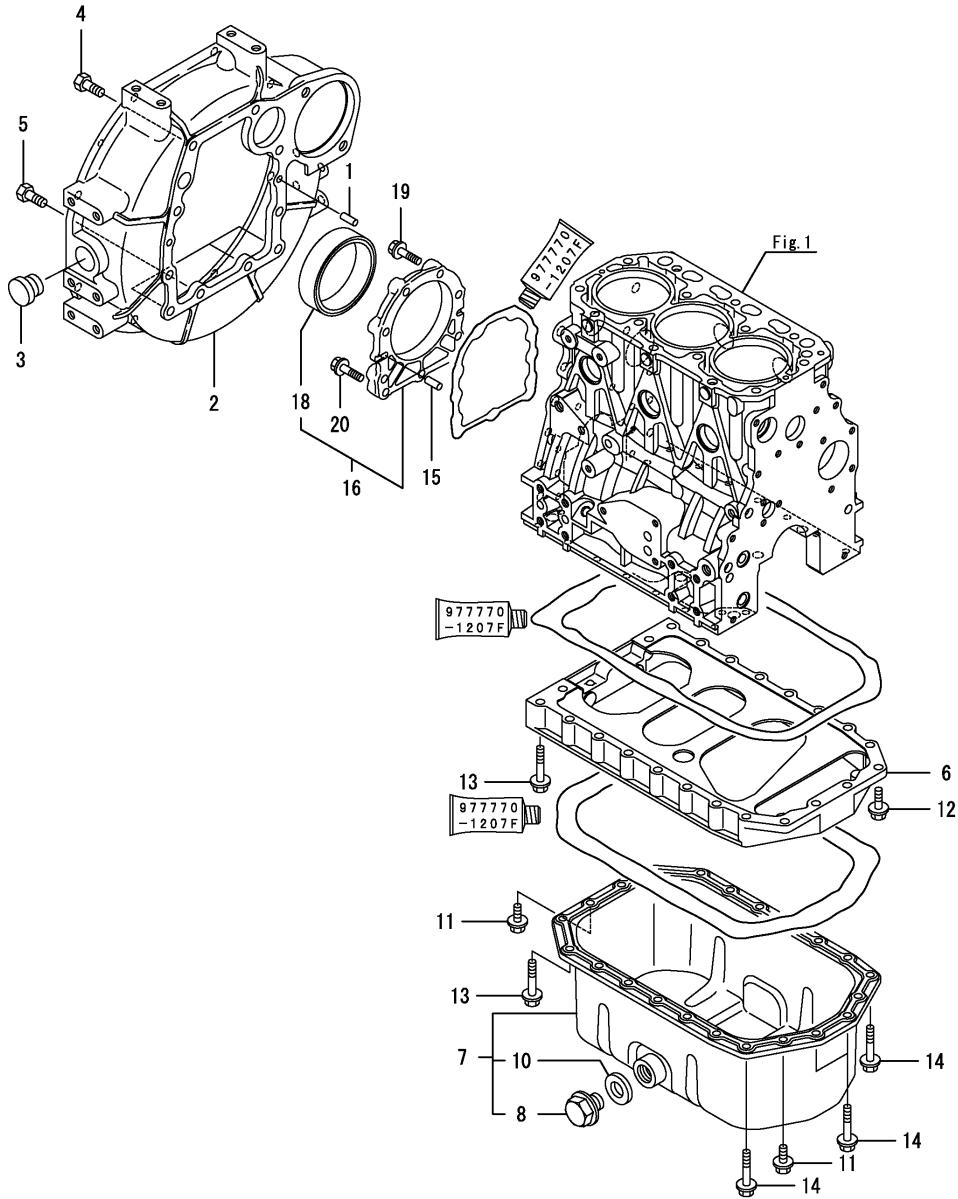
(E)=

(F)=



No.	Lev.	Parts No.	Description	Q'ty						I	R
				(A)	(B)	(C)	(D)	(E)	(F)		
1	1	729008-01500	CASE ASSY, GEAR	1							
3	2	119934-01800	SEAL, OIL	1							
4	1	129009-01530	FLANGE, GEAR CASE	1							
5	1	119802-01561	STUD, M8X25	3							
6	1	124160-01751	COVER, FILLER	1							
7	1	124240-01871	COVER	1							
8	1	129795-01950	PIPE, KNOCK L=18	2							
9	1	119609-32040	O-RING, P16	2							
10	1	129122-44480	JOINT	1							
11	1	121850-51960	O-RING	1							
12	1	22190-080002	WASHER, SEAL 6	4							
13	1	22190-080002	WASHER, SEAL 6	1							
14	1	24311-000320	O-RING, 1AP32.0	1							
15	1	26106-080162	BOLT, M8X 16 PLATED	4							
16	1	26106-080162	BOLT, M8X 16 PLATED	3							
17	1	26106-080302	BOLT, M8X 30 PLATED	1							
18	1	26106-080552	BOLT, M8X 55 PLATED	11							
19	1	26106-080852	BOLT, M8X 85 PLATED	3							
20	1	26306-080002	NUT, M8	3							
21	1	124240-01871	COVER	1							
22	1	124240-01883	GASKET	1							
23	1	26106-080162	BOLT, M8X 16 PLATED	4							
24	1	121023-01551	COVER	1							
25	1	24341-000240	O-RING, 1AS24.0	1							
26	1	26106-060162	BOLT, M6X 16 PLATED	2							

Fig.3. FLYWHEEL HOUSING & OIL SUMP



(A)=3TNV84T-BKWM
(B)=
(C)=

(D)=
(E)=
(F)=

No.	Lev.	Parts No.	Description	Q'ty						I	R
				(A)	(B)	(C)	(D)	(E)	(F)		
1	1	129100-01580	PIN, M8X16	2							
2	1	129612-01600	HOUSING, FLYWHEEL	1							
3	1	119620-01750	CAP	1							
4	1	26206-100252	BOLT, M10X 25 PLATED	6							
5	1	26206-100302	BOLT, M10X 30 PLATED	4							
6	1	129100-01730	SPACER, OIL SUMP	1							
7	1	129100-01760	SUMP ASSY, OIL	1							
8	2	119640-01640	PLUG, DRAIN M22	1							
10	2	22190-220002	WASHER, SEAL 22	1							
11	1	26106-080162	BOLT, M8X 16 PLATED	4							
12	1	26106-080252	BOLT, M8X 25 PLATED	2							
13	1	26106-080452	BOLT, M8X 45 PLATED	16							
14	1	26106-080502	BOLT, M8X 50 PLATED	4							
15	1	129100-01580	PIN, M8X16	2							
16	1	129100-01640	CASE ASSY, OIL SEAL	1							
18	2	129795-01780	SEAL, OIL	1							
19	1	129486-01670	BOLT, M8X30	6							
20	1	26106-080352	BOLT, M8X 35 PLATED	3							

Fig.4. CYLINDER HEAD & BONNET

(A)=3TNV84T-BKWM

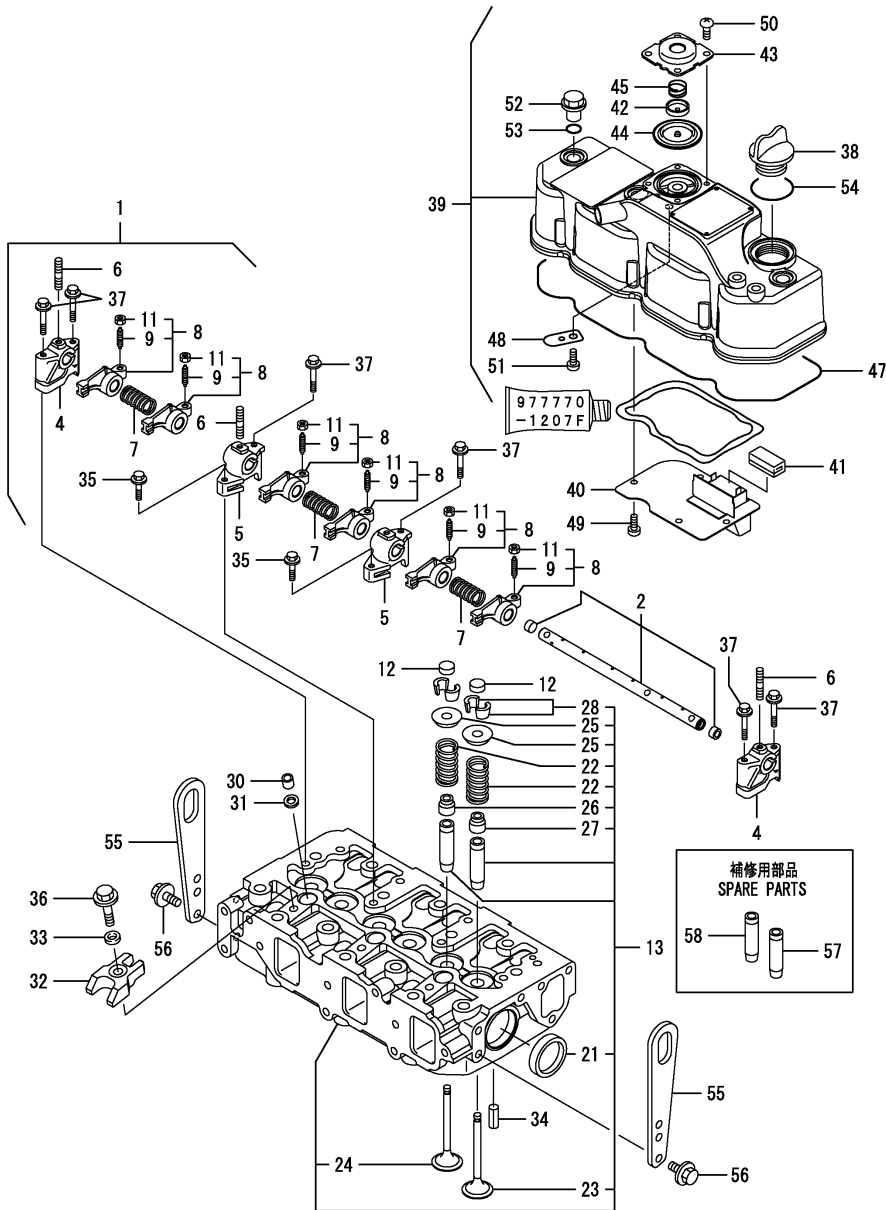
(B)=

(C)=

(D)=

(E)=

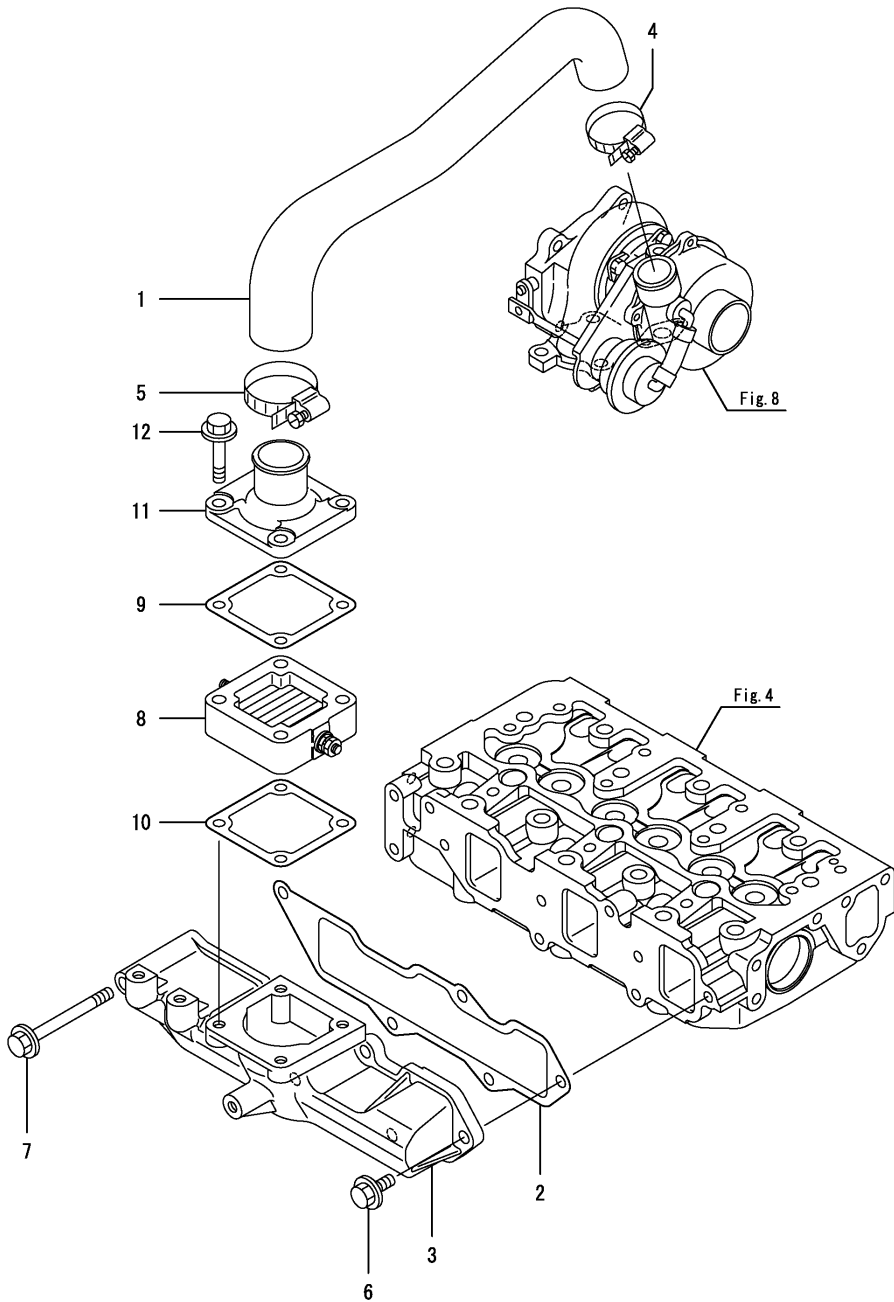
(F)=



No.	Lev.	Parts No.	Description	Q'ty						I	R
				(A)	(B)	(C)	(D)	(E)	(F)		
1	1	129004-11241	SHAFT ASSY, ROCKER	1							
2	2	129004-11251	SHAFT, ROCKER ARM	1							
4	2	119802-11260	SUPPORT, ROCKER ARM	2							
5	2	119802-11270	SUPPORT, ROCKER ARM	2							
6	2	119802-11280	STUD	3							
7	2	129150-11280	SPRING	3							
8	2	129004-11650	ARM, ROCKER	6							
9	3	129150-11230	SCREW, VALVE ADJUST	6							
11	3	129150-11750	NUT, M8	6							
12	1	129150-11370	CAP, VALVE	6							
13	1	129009-11710	HEAD ASSY, CYLINDER	1							
21	2	27241-400000	PLUG, 40	2							
22	2	129795-11120	SPRING, VALVE	6							
23	2	129004-11130	VALVE, INTAKE	3							
24	2	129100-11130	VALVE, EXHAUST	3							
25	2	129795-11180	RETAINER, SPRING	6							
26	2	121400-11340	SEAL, VALVE STEM	3							
27	2	124460-11340	SEAL, VALVE STEM	3							
28	2	27310-080001	COTTER, 8	6							
30	1	119802-11870	PROTECTOR, NOZZLE	3							
31	1	119625-11880	SEAT, NOZZLE	3							
32	1	129004-11900	RETAINER, NOZZLE	3							
33	1	120270-54410	WASHER, INJECTOR	3							
34	1	22351-060012	PIN, SPRING 6.0X12	2							
35	1	26106-080252	BOLT, M8X 25 PLATED	2							
36	1	26106-080352	BOLT, M8X 35 PLATED	3							
37	1	26106-080502	BOLT, M8X 50 PLATED	6							
38	1	124160-01751	COVER, FILLER	1							
39	1	129009-11350	BONNET ASSY, HEAD	1							
40	2	129004-03010	PLATE	1							
41	2	129150-03070	BAFFLE, BREATHER	1							
42	2	119802-03110	PLATE	1							
43	2	119802-03121	COVER, DIAPHRAGM	1							
44	2	119802-03130	DIAPHRAGM	1							
45	2	119802-03141	SPRING, DIAPHRAGM	1							
47	2	129004-11310	GASKET, BONNET	1							
48	2	129009-11340	SPRING	1							
49	2	22857-500100	SCREW, 5X10	4							
50	2	22857-500100	SCREW, 5X10	4							
51	2	22857-500100	SCREW, 5X10	1							
52	1	124160-11360	KNOB	3							
53	1	24311-000120	O-RING, 1AP12.0	3							
54	1	24311-000320	O-RING, 1AP32.0	1							
55	1	129900-07900	LIFTER	2							
56	1	26106-080162	BOLT, M8X 16 PLATED	4							
57	1	120130-11860	GUIDE, VALVE	3							1
58	1	129150-11810	GUIDE, VALVE	3							1

Remarks
(1) Spare part.

Fig.5. SUCTION MANIFOLD



(A)=3TNV84T-BKWM
(B)=
(C)=

(D)=
(E)=
(F)=

No.	Lev.	Parts No.	Description	Q'ty						I	R
				(A)	(B)	(C)	(D)	(E)	(F)		
1	1	129072-12010	PIPE, AIR INTAKE	1							
2	1	129001-12110	GASKET, MANIFOLD	1							
3	1	129006-12111	MANIFOLD, AIR INTAKE	1							
4	1	23000-041000	CLAMP, 41	1							
5	1	23000-054000	CLAMP, 54	1							
6	1	26106-080202	BOLT, M8X 20 PLATED	4							
7	1	26106-080802	BOLT, M8X 80 PLATED	1							
8	1	129100-77501	HEATER	1							
9	1	129100-77510	GASKET, AIR HEATER	1							
10	1	129150-77511	GASKET	1							
11	1	129165-77520	BEND, AIR HEATER	1							
12	1	26106-080402	BOLT, M8X 40 PLATED	4							

Fig.6. EXHAUST MANIFOLD

(A)=3TNV84T-BKWM
(B)=
(C)=

(D)=
(E)=
(F)=

No.	Lev.	Parts No.	Description	Q'ty						I	R
				(A)	(B)	(C)	(D)	(E)	(F)		
1	1	129103-13100	MANIFOLD, EXHAUST	1							
2	1	129150-13110	GASKET	1							
3	1	119802-13620	BOLT, M8X50	2							
4	1	119802-13640	BOLT, M8X60 10.9T	4							
5	1	119131-18320	STUD, M8X22	3							

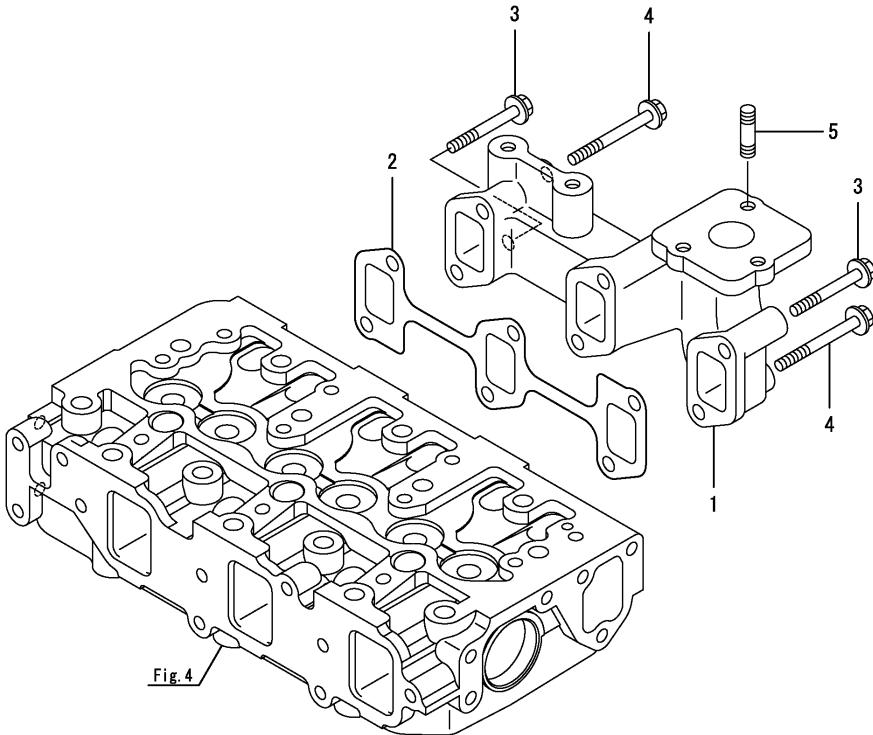
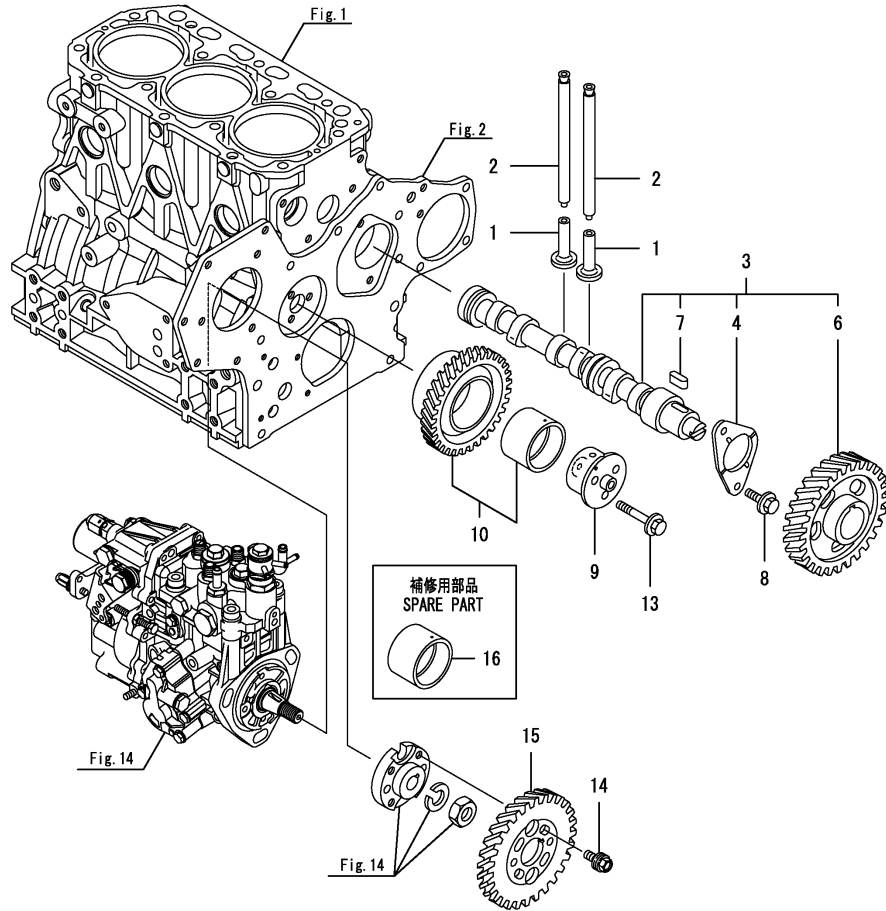


Fig. 4

Fig.7. CAMSHAFT & DRIVING GEAR

(A)=3TNV84T-BKWM
(B)=
(C)=

(D)=
(E)=
(F)=



No.	Lev.	Parts No.	Description	Qty						I	R
				(A)	(B)	(C)	(D)	(E)	(F)		
1	1	129150-14200	TAPPET	6							
2	1	129150-14400	ROD, PUSH L=178	6							
3	1	129129-14580	CAMSHAFT ASSY	1							
4	2	129150-02450	BEARING, THRUST	1							
6	2	129150-14101	GEAR, CAMSHAFT	1							
7	2	22512-070140	KEY, 7X 14	1							
8	1	26106-080142	BOLT, M8X 14 PLATED	2							
9	1	119803-25050	SHAFT, IDLE	1							
10	1	119802-25101	GEAR ASSY, IDLE	1							
13	1	26106-080402	BOLT, M8X 40 PLATED	3							
14	1	129150-25301	BOLT	4							
15	1	119802-25901	GEAR, PUMP	1							
16	1	119802-25071	BUSH, IDLE GEAR	1							1

Remarks
(1)Spare part.

Fig.8. TURBINE

(A)=3TNV84T-BKWM
(B)=
(C)=

(D)=
(E)=
(F)=

No.	Lev.	Parts No.	Description	Q'ty						I	R
				(A)	(B)	(C)	(D)	(E)	(F)		
1	1	129006-18020	TURBINE, RHB31W/G	1							
2	1	129535-18100	GASKET	1							
3	1	129418-18320	STUD, M8X20	4							
4	1	26306-080002	NUT, M8	3							
5	1	129403-18091	GASKET	1							

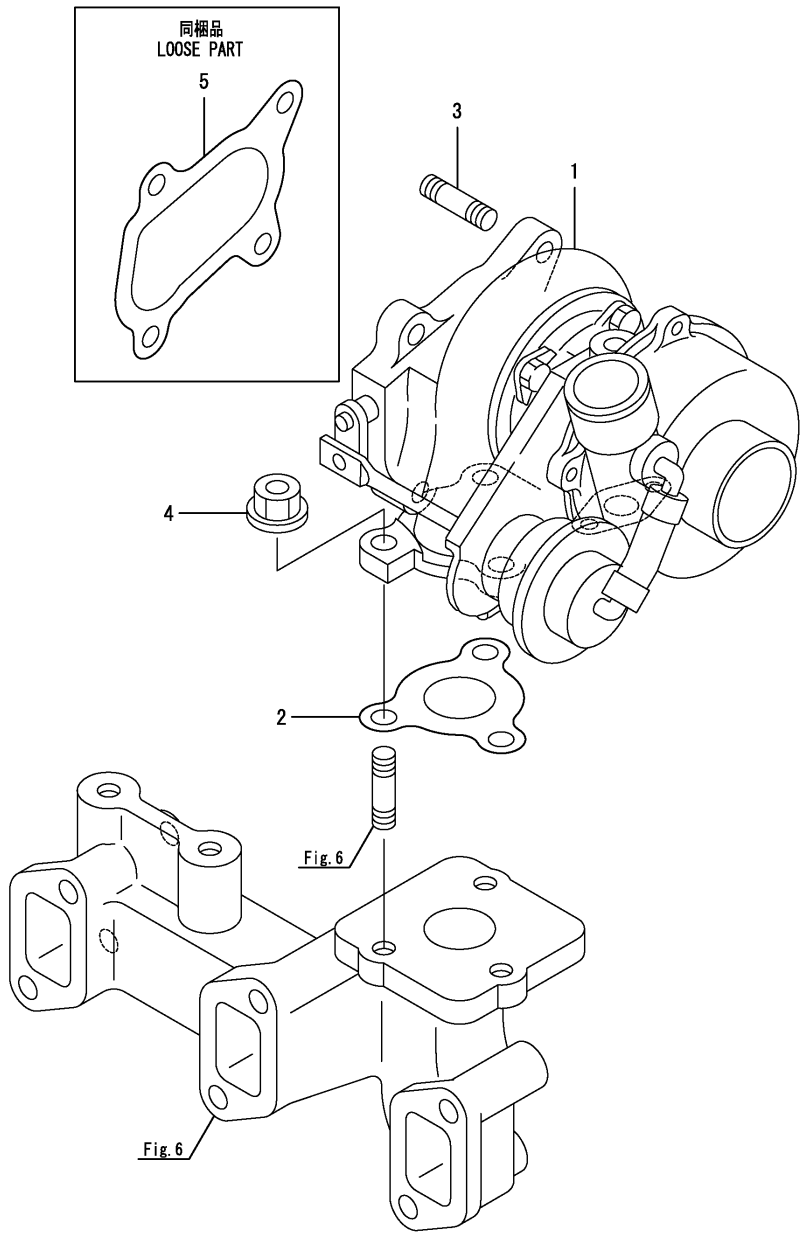


Fig.9. CRANKSHAFT & PISTON

(A)=3TNV84T-BKWM

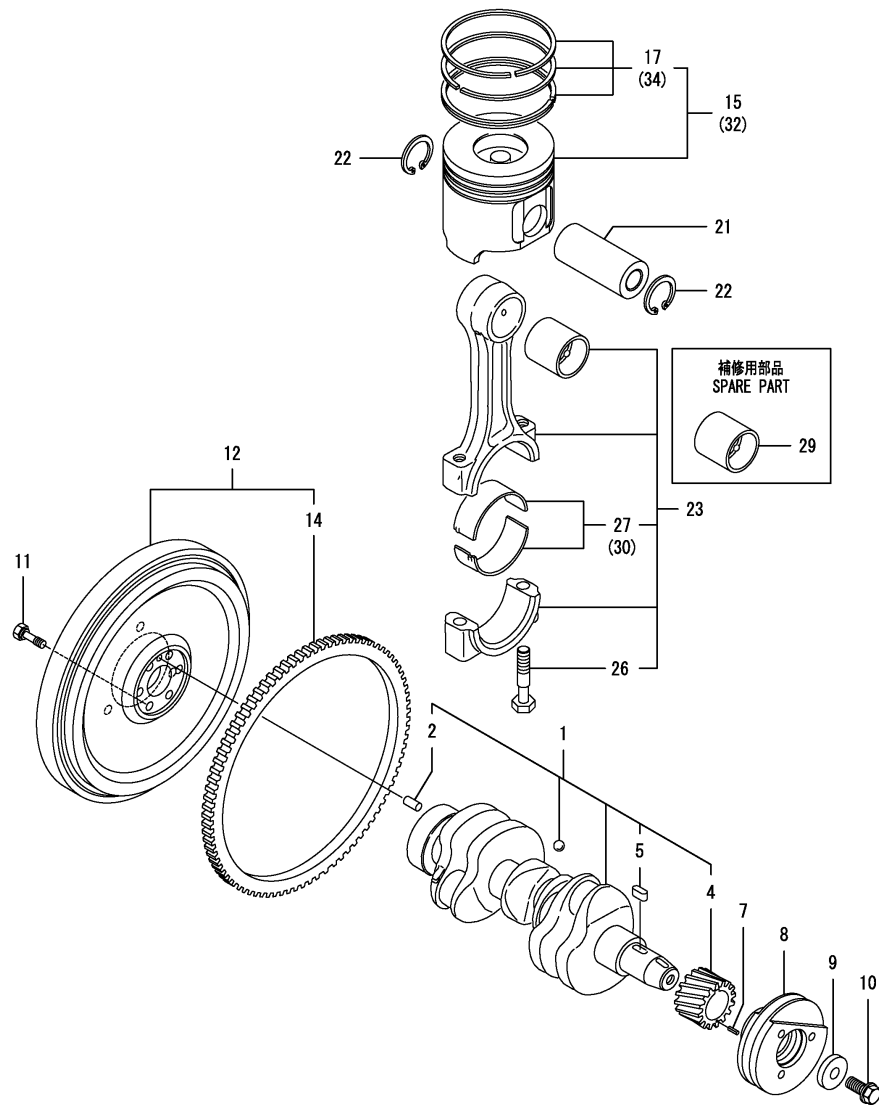
(B)=

(C)=

(D)=

(E)=

(F)=



No.	Lev.	Parts No.	Description	Q'ty						I	R
				(A)	(B)	(C)	(D)	(E)	(F)		
1	1	129008-21000	CRANKSHAFT ASSY	1							
2	2	129100-01580	PIN, M8X16	1							
4	2	119803-21200	GEAR, CRANKSHAFT	1							
5	2	22512-070140	KEY, 7X 14	1							
7	1	22351-030010	PIN, SPRING 3.0X10	1							
8	1	129005-21650	V-PULLEY, 120	1							
9	1	129795-21661	WASHER	1							
10	1	121850-21680	BOLT	1							
11	1	121111-21501	BOLT, FLYWHEEL	6							
12	1	129128-21590	FLYWHEEL ASSY	1							
14	2	119865-21600	GEAR, RING	1							
15	1	129007-22080	PISTON ASSY	3							
17	2	129007-22500	RING SET, PISTON	3							
21	1	129202-22300	PIN, PISTON D26 L70	3							
22	1	22252-000260	RING, 26	6							
23	1	729402-23100	ROD ASSY, CONNECTING	3							
26	2	121550-23200	BOLT, CONNECTING ROD	6							
27	2	129150-23601	BEARING, CRANK PIN	3							
29	1	129100-23910	BEARING, PISTON PIN	3							1
30	1	129150-23611	BEARING, 0.25 US	3							2
32	1	129007-22900	PISTON ASSY, 0.25 OS	3							3
34	2	129007-22950	RING SET, 0.25 OS	3							3

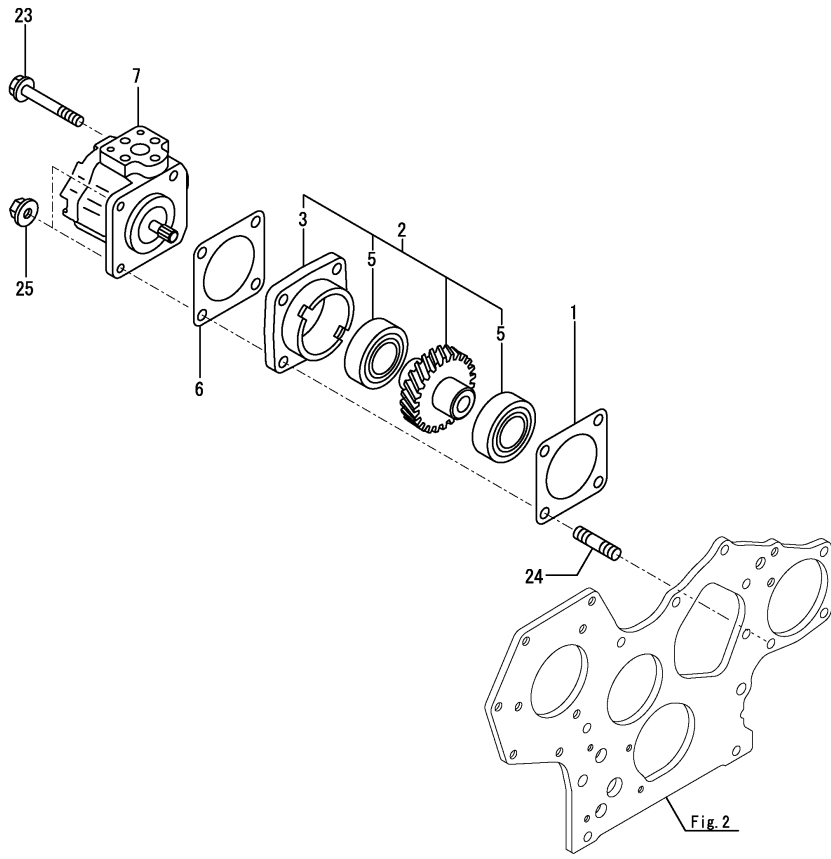
Remarks

- (1) Spare part.
- (2) Under-sized(U.S.=0.25)part.
- (3) Over-sized(O.S.=0.25)part.

Fig.10. HYDRAULIC PUMP

(A)=3TNV84T-BKWM
(B)=
(C)=

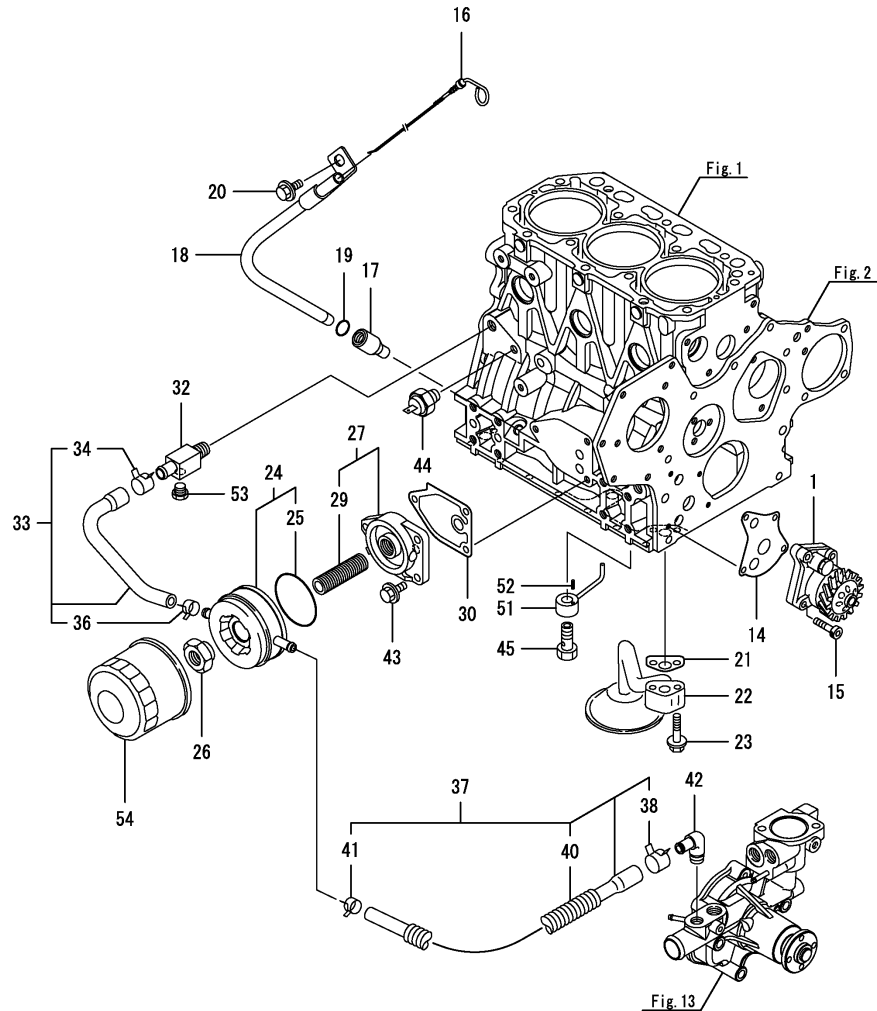
(D)=
(E)=
(F)=



No.	Lev.	Parts No.	Description	Q'ty						I	R
				(A)	(B)	(C)	(D)	(E)	(F)		
1	1	129150-01881	GASKET, PUMP COVER	1							
2	1	129150-26000	DRIVE ASSY, PUMP	1							
3	2	129150-26050	BRACKET, PUMP	1							
5	2	24105-060064	BEARING, BALL 6006Z	2							
6	1	124240-01883	GASKET, PUMP	1							
6-1	1	129C26-01890	GASKET, PUMP	1							N
(A=E67250)											
7	1	119641-26010	PUMP, HYDRAULIC	1							1
7-1	1	119641-26020	PUMP, HYDRAULIC	1							N 1
(A=E67250)											
23	1	26106-080902	BOLT, M8X 90 PLATED	2							
23-1	1	26106-080952	BOLT, M8X 95 PLATED	2							N
(A=E67250)											
24	1	26216-080402	STUD, M8X 40	1							
25	1	26306-080002	NUT, M8	2							

Remarks
(1)Order a pump assembly since the inner parts cannot be supplied separately.

Fig.11. LUB. OIL SYSTEM



(A)=3TNV84T-BKWM

(B)=

(C)=

(D)=

(E)=

(F)=

No.	Lev.	Parts No.	Description	Q'ty						I	R
				(A)	(B)	(C)	(D)	(E)	(F)		
1	1	129418-32000	PUMP ASSY, OIL	1							
14	1	129150-32020	GASKET, PUMP	1							
15	1	26450-060252	BOLT, M6X 25	4							
16	1	129601-34801	DIPSTICK, OIL	1							
17	1	119260-34810	GUIDE, DIPSTICK	1							
18	1	119802-34850	GUIDE, DIPSTICK	1							
19	1	24316-240100	O-RING, 4DP10A	1							
20	1	26106-080162	BOLT, M8X 16 PLATED	1							
21	1	129150-35042	GASKET	1							
22	1	129100-35301	PIPE ASSY, OIL INLET	1							
23	1	26106-080352	BOLT, M8X 35 PLATED	2							
24	1	129508-33010	COOLER ASSY, OIL	1							
25	2	129508-33050	O-RING	1							
26	1	129417-33110	NUT	1							
27	1	129006-35100	BRACKET ASSY, FILTER	1							
29	2	129417-35150	STUD, L=67	1							
30	1	129150-35111	GASKET	1							
32	1	129006-44480	JOINT	1							
33	1	129508-49030	PIPE ASSY, WATER	1							
34	2	171008-03990	CLIP, HOSE 18.5	1							
36	2	23080-015000	CLAMP, 15	1							
37	1	129006-49040	PIPE ASSY, WATER	1							
38	2	171008-03990	CLIP, HOSE 18.5	1							
40	2	129642-49180	TUBE, CORRUGATED	1							
41	2	23080-015000	CLAMP, 15	1							
42	1	129103-49301	ELBOW, PT1/4	1							
43	1	26106-080202	BOLT, M8X 20 PLATED	3							
44	1	119761-39450	SWITCH, 0.5KG	1							
45	1	129792-39410	VALVE ASSY, CHECK	3							
51	1	129553-39650	NOZZLE	3							
52	1	22351-030010	PIN, SPRING 3.0X10	3							
53	1	171056-49120	PLUG, DRAIN	1							
54	1	129150-35153	FILTER 80X80L	1							1

Remarks

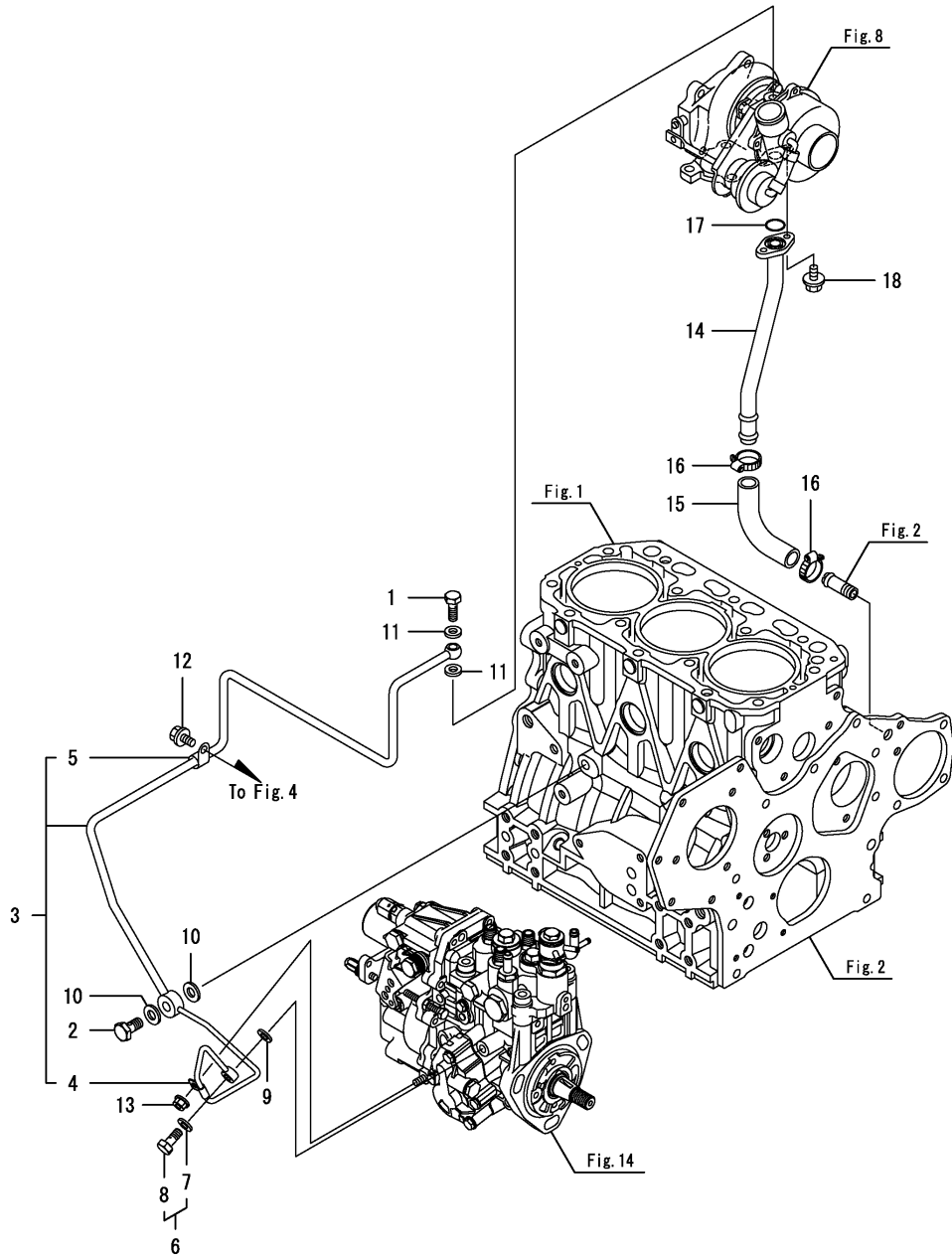
(1)Spare part.

N:Old $\begin{matrix} \leftarrow \text{Yes} \\ \text{No} \end{matrix}$ New, Q:Old $\begin{matrix} \leftarrow \text{No} \\ \text{Yes} \end{matrix}$ New, R:Old $\begin{matrix} \leftarrow \text{Yes} \\ \text{Yes} \end{matrix}$ New, S:Old $\begin{matrix} \leftarrow \text{No} \\ \text{No} \end{matrix}$ New, W:Add, Z:Discontinued, F:Interchangeable by set, K:Q'ty Change

Fig.12. LUB. OIL LINE

(A)=3TNV84T-BKWM
(B)=
(C)=

(D)=
(E)=
(F)=



No.	Lev.	Parts No.	Description	Qty						I	R
				(A)	(B)	(C)	(D)	(E)	(F)		
1	1	105010-39140	BOLT, PIPE JOINT	1							
2	1	124160-39140	BOLT, PIPE JOINT M10	1							
3	1	129033-39450	PIPE ASSY, OIL	1							
4	2	119802-39500	RETAINER, PIPE	1							
5	2	124223-39900	RETAINER	1							
6	1	129005-59830	BOLT ASSY, JOINT M8	1							
7	2	22190-080002	WASHER, SEAL 6	1							
8	2	23857-030000	BOLT, JOINT 3	1							
9	1	22190-080002	WASHER, SEAL 6	1							
10	1	22190-100002	WASHER, SEAL 10	2							
11	1	23414-080000	GASKET, 8X1.0	2							
12	1	26106-080122	BOLT, M8X 12 PLATED	1							
13	1	26366-060002	NUT, M6	1							
14	1	129033-39600	PIPE, OIL	1							
15	1	129266-39620	JOINT, PIPE	1							
16	1	23000-022000	CLAMP, 22	2							
17	1	24316-000160	O-RING, 4DP16.0	1							
18	1	26106-060162	BOLT, M6X 16 PLATED	2							

Fig.13. COOLING WATER SYSTEM

(A)=3TNV84T-BKWM

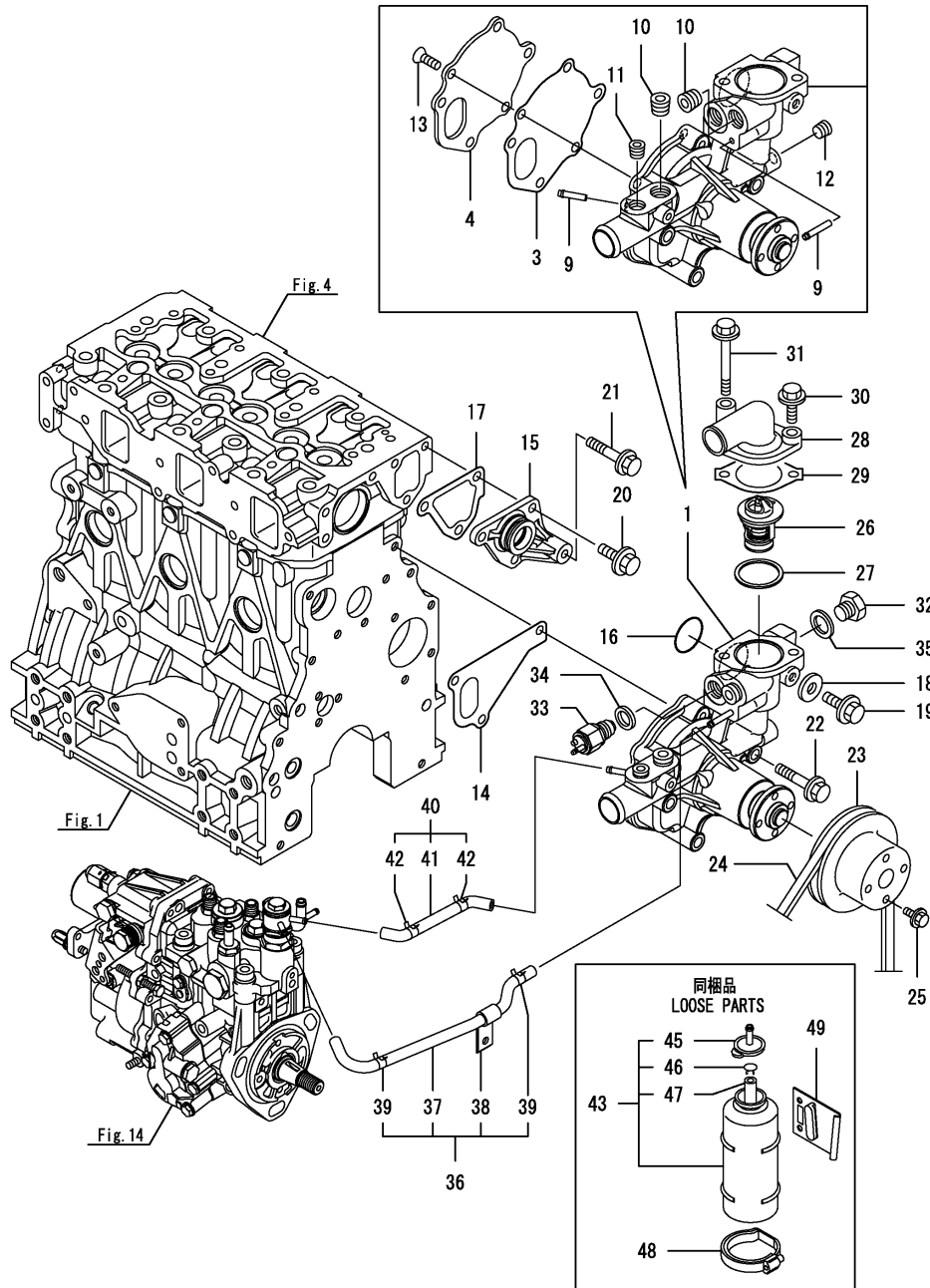
(B)=

(C)=

(D)=

(E)=

(F)=

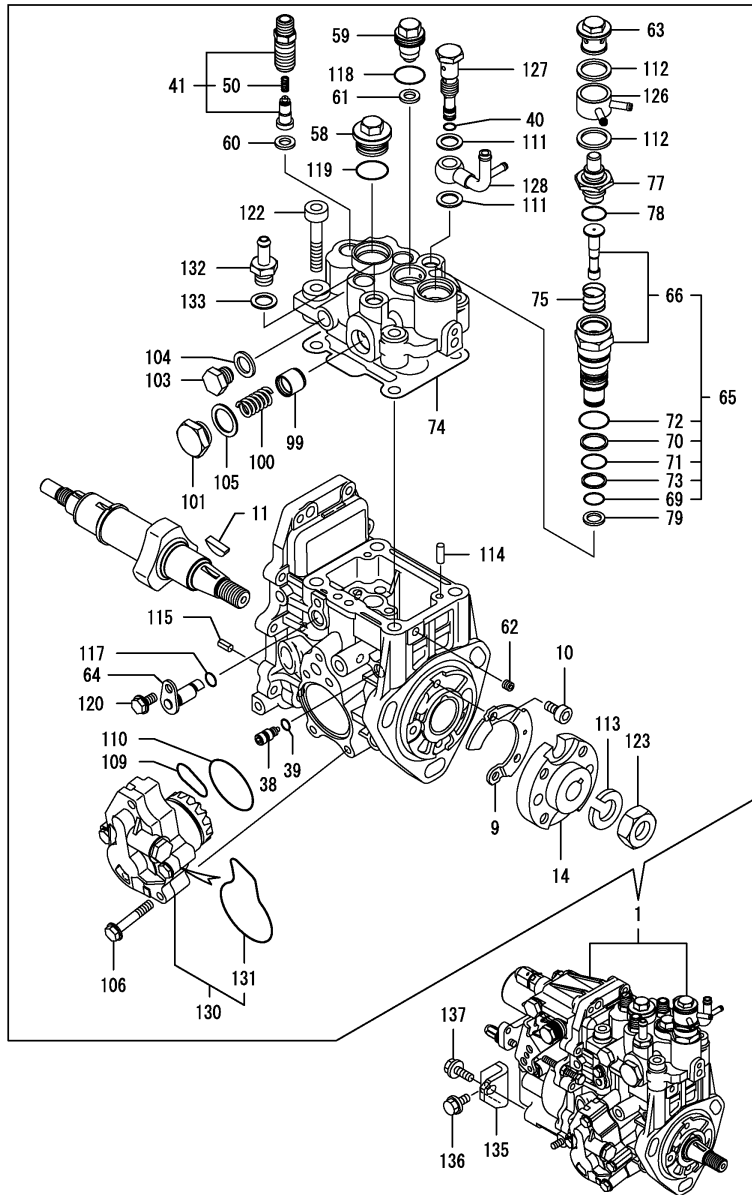


No.	Lev.	Parts No.	Description	Q'ty						I	R
				(A)	(B)	(C)	(D)	(E)	(F)		
1	1	129004-42001	PUMP ASSY, WATER	1							
3	2	129100-42051	GASKET, WATER PUMP	1							
4	2	129100-42121	PLATE	1							
9	2	119802-49113	JOINT, PIPE	2							
10	2	129916-49740	PLUG, R03	2							
11	2	23875-020000	PLUG, R02	1							
12	2	23876-010000	PLUG, R01	1							
13	2	26577-060142	SCREW M 6X 14	3							
14	1	129486-42021	GASKET, WATER PUMP	1							
15	1	129004-42040	JOINT	1							
16	1	129486-42140	O-RING, G30	1							
17	1	124395-49840	GASKET	1							
18	1	23414-080000	GASKET, 8X1.0	1							
19	1	26106-080122	BOLT, M8X 12 PLATED	1							
20	1	26106-080162	BOLT, M8X 16 PLATED	3							
21	1	26106-080452	BOLT, M8X 45 PLATED	1							
22	1	26106-080602	BOLT, M8X 60 PLATED	3							
23	1	129403-42380	V-PULLEY, D=110	1							
24	1	25152-003700	V-BELT, A37	1							
25	1	26106-060122	BOLT, M6X 12 PLATED	4							
26	1	129155-49801	THERMOSTAT, 71	1							
27	1	129150-49811	GASKET, THERMOSTAT	1							
28	1	124101-49531	COVER, THERMOSTAT	1							
29	1	129795-49551	GASKET	1							
30	1	26106-080252	BOLT, M8X 25 PLATED	1							
31	1	26106-080652	BOLT, M8X 65 PLATED	1							
32	1	121450-42450	PLUG, M16	1							
33	1	121250-44901	SWITCH, 110	1							
34	1	124465-44950	GASKET, 16	1							
35	1	124465-44950	GASKET, 16	1							
36	1	129004-49610	PIPE ASSY, WATER	1							
37	2	129004-49711	PIPE ASSY, WATER	1							
38	2	119802-49730	RETAINER, PIPE	1							
39	2	124722-59050	CLIP, HOSE 9	2							
40	1	129004-49620	PIPE ASSY, WATER	1							
41	2	129004-49721	PIPE ASSY, WATER	1							
42	2	124722-59050	CLIP, HOSE 9	2							
43	1	124450-44510	TANK ASSY, SUB	1							
45	2	124450-44530	CAP	1							
46	2	124450-44560	RETAINER	1							
47	2	23061-070230	PIPE, 7X 230	1							
48	1	124450-44550	BAND	1							
49	1	121256-44600	BRACKET, SUB TANK	1							

Fig.14. FUEL INJECTION PUMP

(A)=3TNV84T-BKWM
(B)=
(C)=

(D)=
(E)=
(F)=



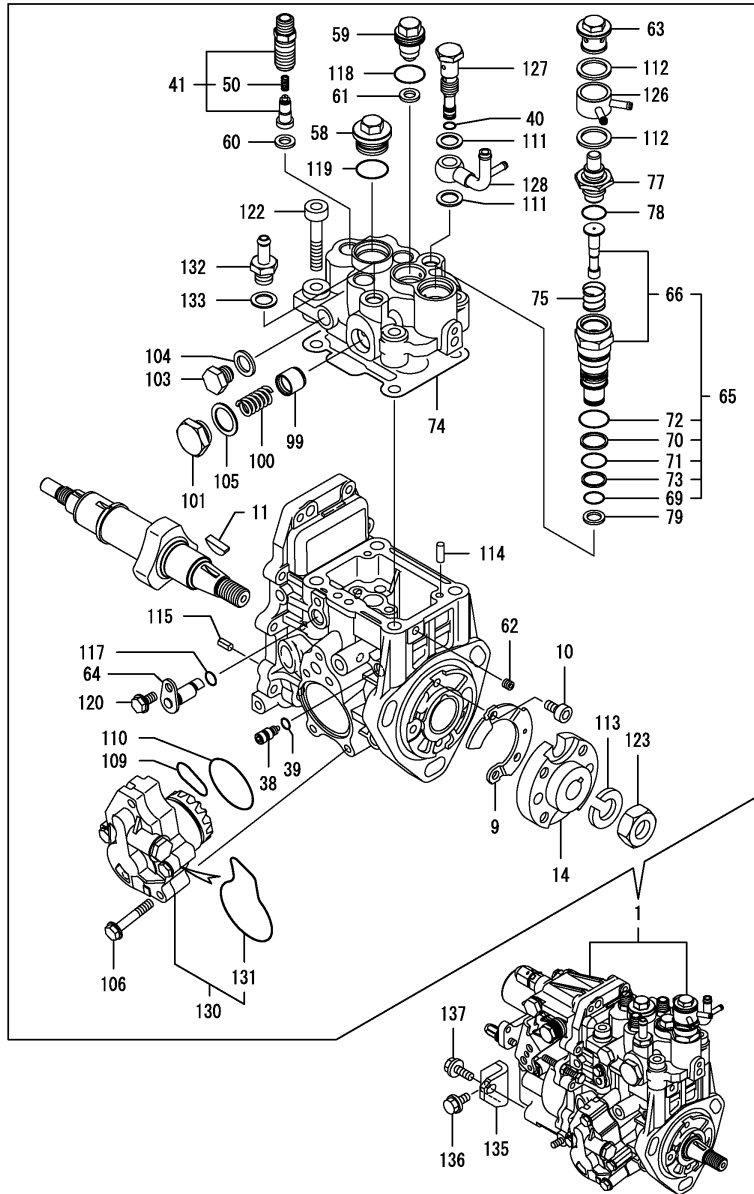
No.	Lev.	Parts No.	Description	Q'ty						I	R
				(A)	(B)	(C)	(D)	(E)	(F)		
1	1	729045-51330	FIE ASSY	1							1
9	2	129008-51900	COVER, GEAR CASE	1							
10	2	129008-51920	BOLT, M6X10	2							
11	2	119802-51090	KEY, 4X16	1							
14	2	158552-51151	FLANGE	1							
38	2	158600-51270	STOPPER, TAPPET	1							
39	2	158563-51281	O-RING, 4D S6	1							
40	2	158563-51281	O-RING, 4D S6	1							
41	2	129009-51390	VALVE ASSY, DELIVERY	3							
50	3	158563-51330	SPRING, DELIVERY	3							
58	2	158601-51550	PLUG	1							
59	2	119802-51560	PLUG, BARREL	1							
60	2	158552-51571	GASKET	3							
61	2	158552-51571	GASKET	1							
62	2	158557-51570	PLUG	1							
63	2	158601-51570	PLUG	1							
64	2	158552-51580	LIFTER	1							
65	2	119802-51590	TIMER SET	1							
66	3	119802-51600	TIMER ASSY	1							
69	3	158553-51670	O-RING, 1011	1							
70	3	119802-51680	RING, BACK UP	1							
71	3	119802-51690	O-RING	1							
72	3	24356-190200	O-RING, 4D19020	1							
73	3	24372-000150	RING, BACK UP T2P15	1							
74	2	158552-51600	GASKET	1							
75	2	158553-51630	SPRING, TIMER	1							
77	2	158553-51640	ELEMENT	1							
78	2	158553-51660	O-RING, P14	1							
79	2	158553-51680	GASKET	1							
99	2	158601-51770	PISTON	1							
100	2	158552-51781	SPRING	1							
101	2	158601-51790	PLUG	1							
103	2	158553-51930	PLUG, M12	1							
104	2	22190-120002	WASHER, SEAL 12	1							
105	2	22190-180002	WASHER, SEAL 18	1							
106	2	158553-51770	BOLT	4							
109	2	158552-52311	O-RING	1							
110	2	158552-52400	O-RING, 4E S42	1							
111	2	22190-120002	WASHER, SEAL 12	2							
112	2	22190-180002	WASHER, SEAL 18	2							
113	2	22217-140000	WASHER, SPRING 14	1							
114	2	22312-050140	PIN, PARALLEL M5X14	2							
115	2	22351-050010	PIN, SPRING 5.0X10	2							
117	2	24311-000070	O-RING, 1AP7.0	1							
118	2	24356-190180	O-RING, 4D19018	1							
119	2	24356-190200	O-RING, 4D19020	1							
120	2	26106-060102	BOLT, M6X 10 PLATED	1							
122	2	26450-080452	BOLT, M8X 45	4							
123	2	26776-140002	NUT, LOCK M14	1							
126	2	158553-51551	JOINT	1							
127	2	158601-51650	JOINT, OVER FLOW	1							

Remarks
(1)Governor(Fig.15)is incorporated in this Fuel Injection Pump (Ref.1).

Fig.14. FUEL INJECTION PUMP

(A)=3TNV84T-BKWM
(B)=
(C)=

(D)=
(E)=
(F)=



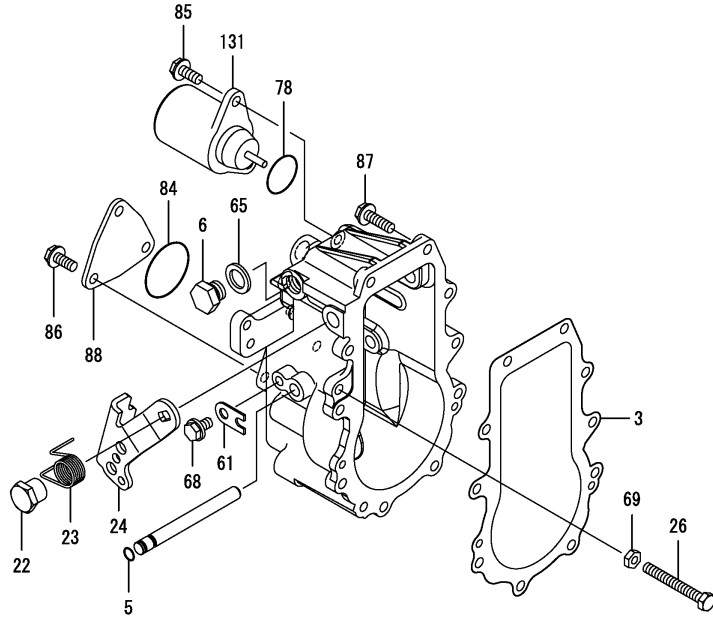
No.	Lev.	Parts No.	Description	Q'ty						I	R
				(A)	(B)	(C)	(D)	(E)	(F)		
128	2	158552-51670	JOINT, OVER FLOW	1							
130	2	158552-52100	PUMP ASSY, FUEL FEED	1							
131	3	158552-52500	O-RING								
132	2	119934-59910	JOINT, PIPE	1							
133	2	22190-120002	WASHER, SEAL 12	1							
135	1	119802-51250	RETAINER, PUMP	1							
136	1	26106-080162	BOLT, M8X 16 PLATED	1							
137	1	26106-080202	BOLT, M8X 20 PLATED	1							

Remarks
(1)Governor(Fig.15)is incorporated in this Fuel Injection Pump (Ref.1).

Fig.15. GOVERNOR

(A)=3TNV84T-BKWM
(B)=
(C)=

(D)=
(E)=
(F)=



No.	Lev.	Parts No.	Description	Qty						I	R
				(A)	(B)	(C)	(D)	(E)	(F)		
3	2	158553-61050	GASKET	1							
5	2	129155-51280	O-RING, S6	1							
6	2	158553-51930	PLUG, M12	1							
22	2	129255-61410	NUT, LOCK	1							
23	2	119807-61420	SPRING, RETURN	1							
24	2	158552-61441	LEVER, REGULATOR	1							
26	2	129155-61460	BOLT, IDLE	1							
61	2	119660-61901	RETAINER, SHAFT	1							
65	2	22190-120002	WASHER, SEAL 12	1							
68	2	26106-060102	BOLT, M6X 10 PLATED	1							
69	2	26756-060002	NUT, LOCK M6	1							
78	2	158552-61900	O-RING	1							
84	2	24341-000360	O-RING, 1AS36.0	1							
85	2	26106-060142	BOLT, M6X 14 PLATED	2							
86	2	26106-060142	BOLT, M6X 14 PLATED	3							
87	2	26106-060202	BOLT, M6X 20 PLATED	10							
88	2	158563-61060	COVER, GOVERNOR CASE	1							
131	2	119233-77932	SOLENOID, STOP	1							

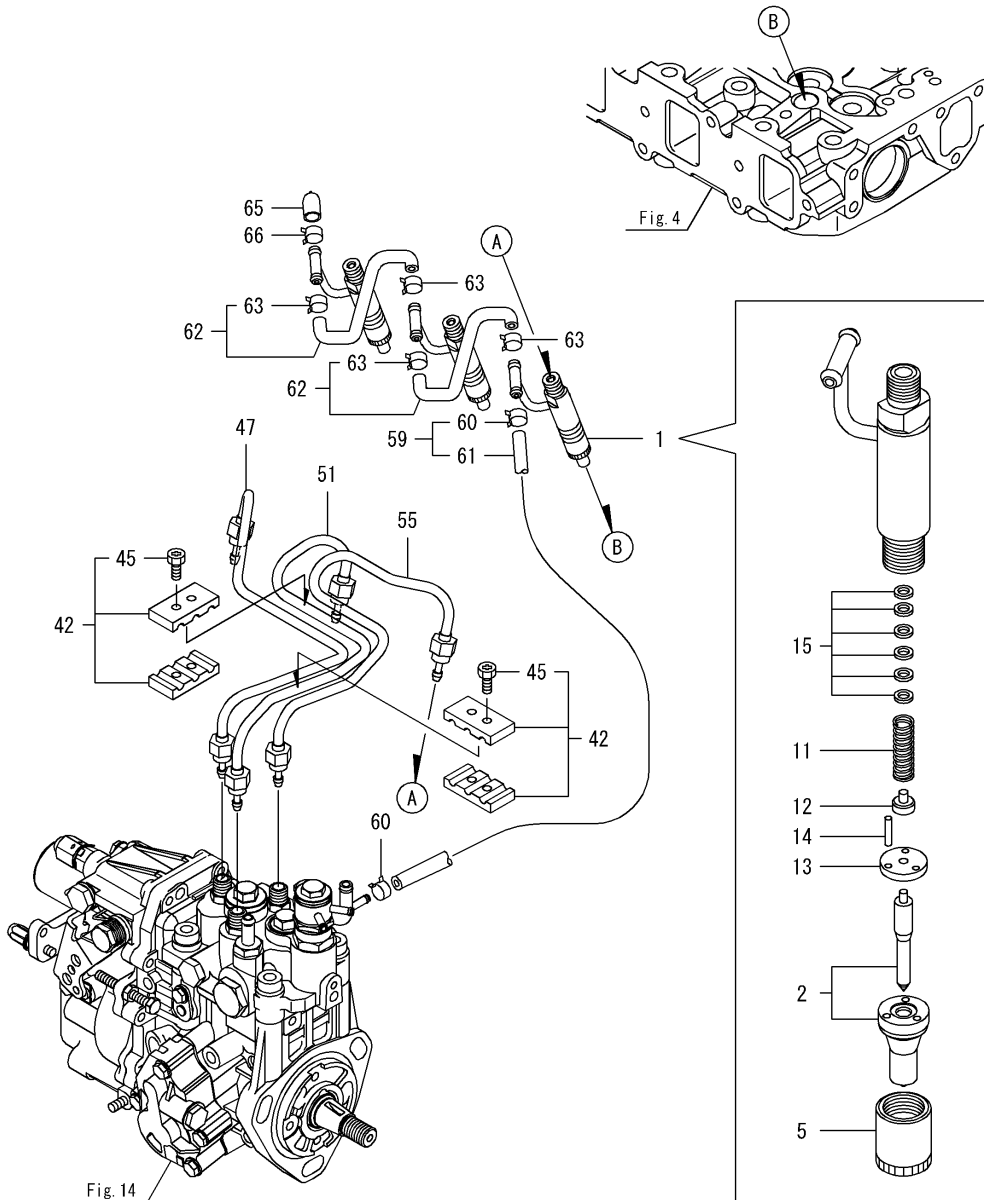
Remarks

*This figure(Governor)is incorporated in the Fuel Injection Pump (Fig.14).

Fig.16. FUEL INJECTION VALVE

(A)=3TNV84T-BKWM
(B)=
(C)=

(D)=
(E)=
(F)=

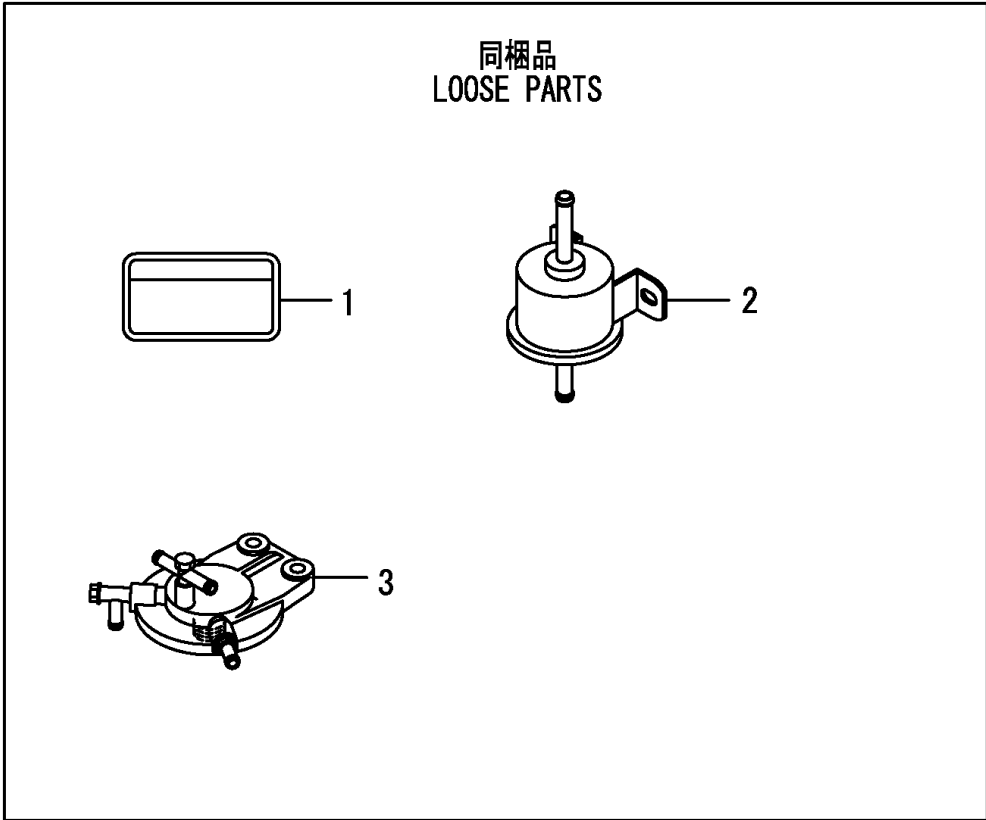


No.	Lev.	Parts No.	Description	Q'ty						I	R
				(A)	(B)	(C)	(D)	(E)	(F)		
1	1	729004-53200	VALVE ASSY,INJECTION	3							
2	2	129004-53001	VALVE ASSY,INJECTION	3							
5	2	114250-53080	NUT, NOZZLE D16.95	3							
11	2	114250-53120	SPRING, NOZZLE	3							
12	2	114250-53130	SEAT, SPRING	3							
13	2	114250-53140	PLATE	3							
14	2	114250-53210	PIN	6							
15	2	119803-53400	SHIM SET	3							
42	1	129150-59120	RETAINER, PIPE	2							
45	2	129150-59131	BOLT, M4X14	4							
47	1	129004-59811	PIPE ASSY, INJECTION	1							
51	1	129004-59821	PIPE ASSY, INJECTION	1							
55	1	129004-59831	PIPE ASSY, INJECTION	1							
59	1	119802-59550	PIPE ASSY, RETURN	1							
60	2	124722-59050	CLIP, HOSE 9	2							
61	2	119802-59560	PIPE, FUEL RETURN	1							
62	1	129486-59551	PIPE ASSY, RETURN	2							
63	2	124722-59050	CLIP, HOSE 9	4							
65	1	119593-59581	CAP	1							
66	1	124060-77680	CLIP, HOSE 10	1							

Fig.17. FUEL FILTER

(A)=3TNV84T-BKWM
(B)=
(C)=

(D)=
(E)=
(F)=



No.	Lev.	Parts No.	Description	Q'ty						I	R
				(A)	(B)	(C)	(D)	(E)	(F)		
1	1	114110-07761	LABEL, FUEL OIL CAUT	1							
2	1	119225-52102	PUMP ASSY, FUEL FEED	1							
3	1	129004-55612	BRACKET, FILTER	1							W

(A=EZZZZZ)

Fig.18. STARTING MOTOR

(A)=3TNV84T-BKWM

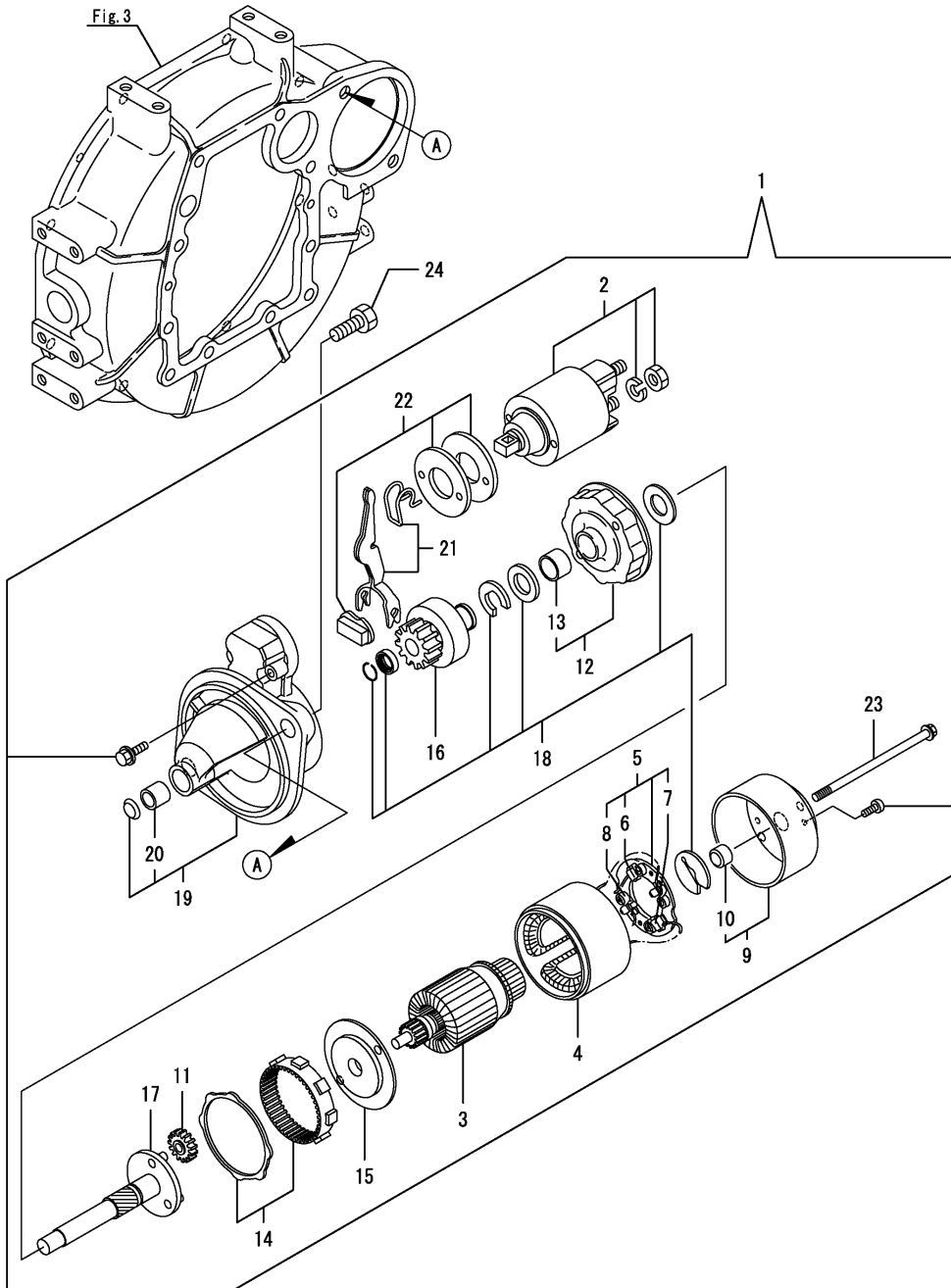
(B)=

(C)=

(D)=

(E)=

(F)=

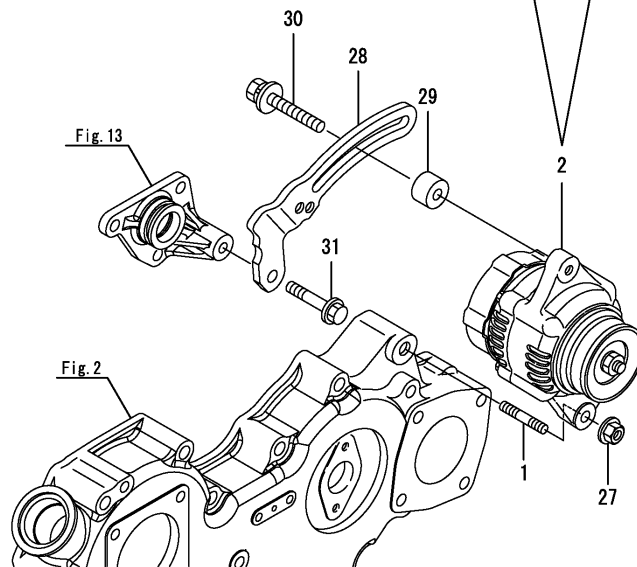
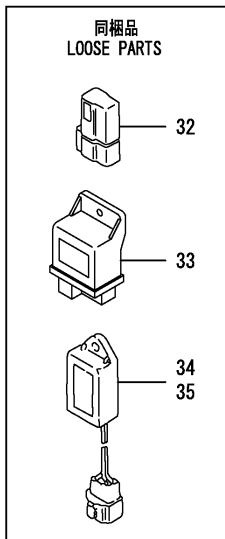
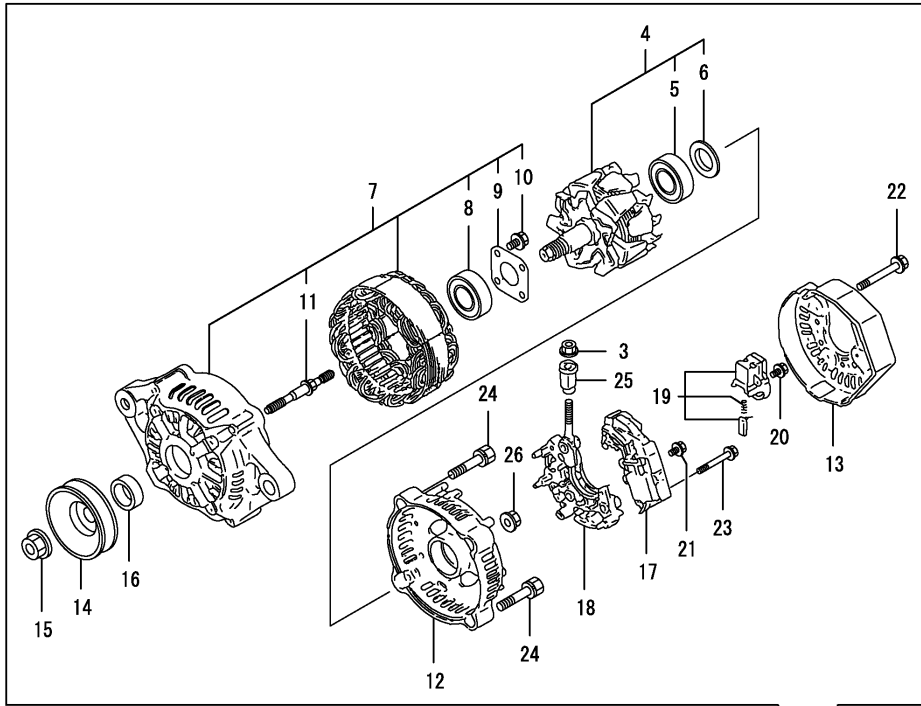


No.	Lev.	Parts No.	Description	Q'ty						I	R
				(A)	(B)	(C)	(D)	(E)	(F)		
1	1	129242-77010	STARTER	1							
2	2	129698-77020	MAGNETIC SWITCH ASSY	1							
3	2	129242-77100	ARMATURE ASSY	1							
4	2	129242-77110	YOKE ASSY	1							
5	2	129242-77120	BRUSH HOLDER ASSY	1							
6	3	129242-77130	BRUSH(-)	2							
7	3	129242-77140	BRUSH(+) SET	1							
8	3	129242-77150	BRUSH SPRING	4							
9	2	129242-77160	REAR COVER ASSY	1							
10	3	129242-77170	REAR COVER METAL	1							
11	2	118400-77170	GEAR	3							
12	2	129242-77180	CENTER BRACKET(P)	1							
13	3	129698-77190	BRACKET	1							
14	2	129698-77200	GEAR, INTERNAL	1							
15	2	129242-77210	CENTER BRACKET(A)	1							
16	2	129698-77220	PINION ASSY	1							
17	2	129698-77230	SHAFT(PINION)	1							
18	2	129698-77250	WASHER SET	1							
19	2	129242-77260	GEAR CASE ASSY	1							
20	3	X2114535200	METAL, STARTER	1							
21	2	129242-77270	SHIFT LEVER SET	1							
22	2	129242-77280	DUST COVER KIT	1							
23	2	124195-77770	THROUGH BOLT	2							
24	1	26116-120202	BOLT, M12X 20 PLATED	2							

Fig.19. GENERATOR

(A)=3TNV84T-BKWM
(B)=
(C)=

(D)=
(E)=
(F)=



No.	Lev.	Parts No.	Description	Q'ty						I	R
				(A)	(B)	(C)	(D)	(E)	(F)		
1	1	129795-01900	STUD	1							
2	1	119626-77210	ALTERNATOR, 12V-55A	1							
3	2	X9490561001	NUT	1							
4	2	129052-77380	ROTOR ASSY	1							
5	3	123501-79240	BEARING, BALL	1							
6	3	119620-79250	COVER, BEARING	1							
7	2	129052-77422	FRAME ASSY	1							
8	3	119620-79200	BALL BEARING	1							
9	3	119620-79210	PLATE, RETAINER	1							
10	3	119620-79220	SCREW	4							
11	3	119620-79230	STUD	2							
12	2	128401-77440	FRAME	1							
13	2	119626-77450	COVER, END, RR	1							
14	2	119620-77461	PULLEY	1							
15	2	119620-77471	NUT	1							
16	2	119620-77490	COLLAR	1							
17	2	119626-77710	REGULATOR ASSY	1							
18	2	129052-79260	HOLDER	1							
19	2	129052-79270	HOLDER, BRUSH	1							
20	2	119620-79290	SCREW	6							
21	2	119620-79300	SCREW	1							
22	2	119620-79310	BOLT	3							
23	2	119620-79320	SCREW	2							
24	2	119620-79330	BOLT	2							
25	2	119620-79340	BUSH, INSULATION	1							
26	2	119620-79350	NUT	2							
27	1	26306-100002	NUT, M10	1							
28	1	129064-77330	ADJUSTER	1							
29	1	129067-77340	SPACER	1							
30	1	129972-77341	BOLT, ADJUSTER L=50	1							
31	1	26106-080502	BOLT, M8X 50 PLATED	1							
32	1	119643-66900	DIODE	1							
33	1	119802-77200	RELAY, SAFETY	1							
34	1	128300-77920	TIMER	1							
35	1	129211-77920	TIMER	1							

Fig.20. GASKET SET

(A)=3TNV84T-BKWM

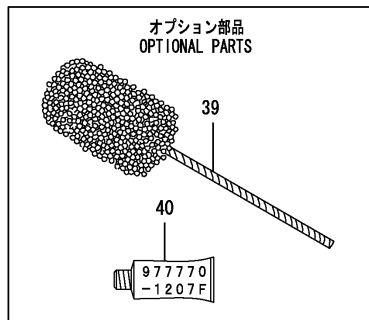
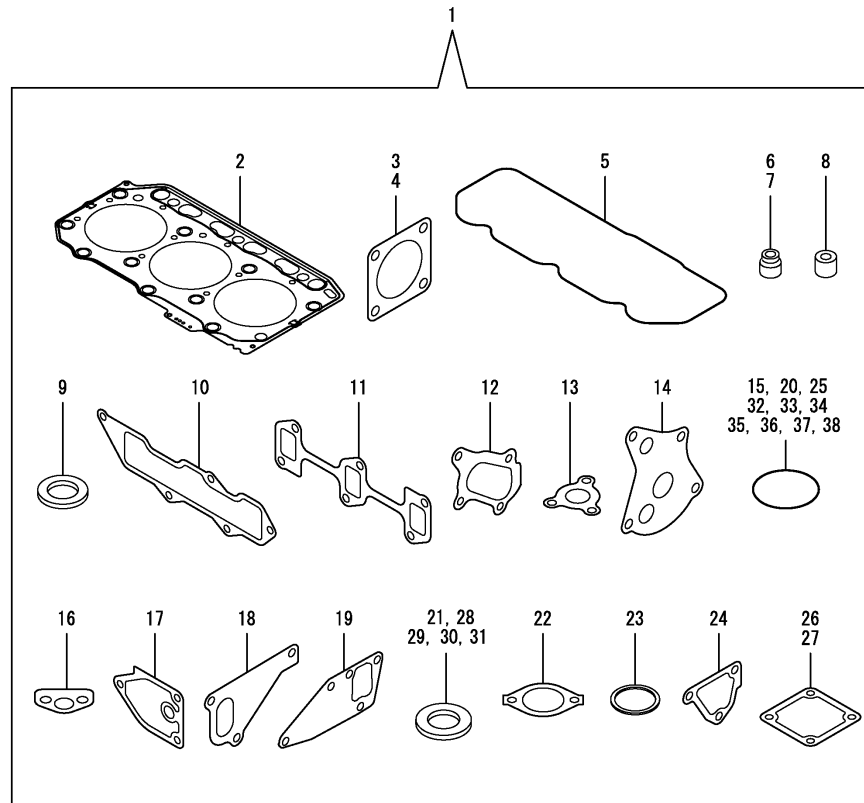
(B)=

(C)=

(D)=

(E)=

(F)=



No.	Lev.	Parts No.	Description	Q'ty						I	R
				(A)	(B)	(C)	(D)	(E)	(F)		
1	1	129045-92600	GASKET SET	1							1
2	2	129002-01331	GASKET, HEAD	1							
3	2	124240-01883	GASKET	2							
4	2	129150-01881	GASKET	1							
5	2	129004-11310	GASKET, BONNET	1							
6	2	121400-11340	SEAL, VALVE STEM	3							
7	2	124460-11340	SEAL, VALVE STEM	3							
8	2	119802-11870	PROTECTOR, NOZZLE	3							
9	2	119625-11880	SEAT, NOZZLE	3							
10	2	129001-12110	GASKET, MANIFOLD	1							
11	2	129150-13110	GASKET	1							
12	2	129403-18091	GASKET	1							
13	2	129535-18100	GASKET	1							
14	2	129150-32020	GASKET, PUMP	1							
15	2	119609-32040	O-RING, P16	4							
16	2	129150-35042	GASKET	1							
17	2	129150-35111	GASKET	1							
18	2	129486-42021	GASKET, WATER PUMP	1							
19	2	129486-42050	GASKET, WATER PUMP	1							
20	2	129486-42140	O-RING, G30	1							
21	2	124465-44950	GASKET, 16	2							
22	2	129795-49551	GASKET	1							
23	2	129150-49811	GASKET, THERMOSTAT	1							
24	2	124395-49840	GASKET	1							
25	2	121850-51960	O-RING	1							
26	2	129100-77510	GASKET, AIR HEATER	1							
27	2	129150-77511	GASKET	1							
28	2	22190-080002	WASHER, SEAL 6	2							
29	2	22190-100002	WASHER, SEAL 10	2							
30	2	22190-220002	WASHER, SEAL 22	1							
31	2	23414-080000	GASKET, 8X1.0	3							
32	2	24311-000120	O-RING, 1AP12.0	3							
33	2	24311-000320	O-RING, 1AP32.0	2							
34	2	24311-240100	O-RING, 1AP10A	1							
35	2	24314-000160	O-RING, 4CP16.0	1							
36	2	24316-000160	O-RING, 4DP16.0	1							
37	2	24316-240100	O-RING, 4DP10A	1							
38	2	24341-000240	O-RING, 1AS24.0	1							
39	1	129400-92420	HONE	1							1
40	1	977770-1207F	GASKET.LIQUID	1							1

Remarks

(1)Optional parts.

N:Old $\begin{matrix} \leftarrow \text{Yes} \\ \text{No} \end{matrix}$ New, Q:Old $\begin{matrix} \leftarrow \text{No} \\ \text{Yes} \end{matrix}$ New, R:Old $\begin{matrix} \leftarrow \text{Yes} \\ \text{Yes} \end{matrix}$ New, S:Old $\begin{matrix} \leftarrow \text{No} \\ \text{No} \end{matrix}$ New, W:Add, Z:Discontinued, F:Interchangeable by set, K:Q'ty Change

Parts No. Index

Parts No.	Fig. No.	Ref. No.
105010-39140	12	1
114110-07761	17	1
114250-53080	16	5
114250-53120	16	11
114250-53130	16	12
114250-53140	16	13
114250-53210	16	14
118400-77170	18	11
119131-18320	6	5
119225-52102	17	2
119233-77932	15	131
119260-34810	11	17
119593-59581	16	65
119609-32040	2	9
	20	15
119620-01750	3	3
119620-77461	19	14
119620-77471	19	15
119620-77490	19	16
119620-79200	19	8
119620-79210	19	9
119620-79220	19	10
119620-79230	19	11
119620-79250	19	6
119620-79290	19	20
119620-79300	19	21
119620-79310	19	22
119620-79320	19	23
119620-79330	19	24
119620-79340	19	25
119620-79350	19	26
119625-11880	4	31
	20	9
119626-77210	19	2
119626-77450	19	13
119626-77710	19	17
119640-01640	3	8
119641-26010	10	7
119641-26020	10	7 -1
119643-66900	19	32
119660-61901	15	61
119761-39450	11	44
119802-01561	2	5
119802-03110	4	42
119802-03121	4	43
119802-03130	4	44
119802-03141	4	45
119802-11260	4	4
119802-11270	4	5
119802-11280	4	6

Parts No.	Fig. No.	Ref. No.
119802-11870	4	30
	20	8
119802-13620	6	3
119802-13640	6	4
119802-25071	7	16
119802-25101	7	10
119802-25901	7	15
119802-34850	11	18
119802-39500	12	4
119802-49113	13	9
119802-49730	13	38
119802-51090	14	11
119802-51250	14	135
119802-51560	14	59
119802-51590	14	65
119802-51600	14	66
119802-51680	14	70
119802-51690	14	71
119802-59550	16	59
119802-59560	16	61
119802-77200	19	33
119803-21200	9	4
119803-25050	7	9
119803-53400	16	15
119807-61420	15	23
119865-21600	9	14
119934-01800	2	3
119934-59910	14	132
120130-11860	4	57
120270-54410	4	33
121023-01551	2	24
121111-21501	9	11
121250-44901	13	33
121256-44600	13	49
121400-11340	4	26
	20	6
121450-42450	13	32
121550-23200	9	26
121850-21680	9	10
121850-51960	2	11
	20	25
123501-79240	19	5
124060-01050	1	11
124060-77680	16	66
124101-49531	13	28
124160-01751	2	6
	4	38
124160-01910	1	12
		13
124160-11360	4	52

Parts No.	Fig. No.	Ref. No.
124160-39140	12	2
124195-77770	18	23
124223-39900	12	5
124240-01871	2	7
		21
124240-01883	2	22
	10	6
	20	3
124395-49840	13	17
	20	24
124450-44510	13	43
124450-44530	13	45
124450-44550	13	48
124450-44560	13	46
124460-11340	4	27
	20	7
124465-44950	13	34
		35
	20	21
124722-59050	13	39
		42
	16	60
		63
128300-77920	19	34
128401-77440	19	12
129001-01250	1	4
129001-02931	1	29
129001-12110	5	2
	20	10
129002-01331	1	28
	20	2
129004-03010	4	40
129004-11130	4	23
129004-11241	4	1
129004-11251	4	2
129004-11310	4	47
	20	5
129004-11650	4	8
129004-11900	4	32
129004-42001	13	1
129004-42040	13	15
129004-49610	13	36
129004-49620	13	40
129004-49711	13	37
129004-49721	13	41
129004-53001	16	2
129004-55612	17	3
129004-59811	16	47
129004-59821	16	51
129004-59831	16	55

Parts No.	Fig. No.	Ref. No.
129005-21650	9	8
129005-59830	12	6
129006-12111	5	3
129006-18020	8	1
129006-35100	11	27
129006-44480	11	32
129006-49040	11	37
129007-22080	9	15
129007-22500	9	17
129007-22900	9	32
129007-22950	9	34
129008-21000	9	1
129008-51900	14	9
129008-51920	14	10
129009-01530	2	4
129009-11340	4	48
129009-11350	4	39
129009-11710	4	13
129009-51390	14	41
129033-39450	12	3
129033-39600	12	14
129045-92600	20	1
129052-77380	19	4
129052-77422	19	7
129052-79260	19	18
129052-79270	19	19
129064-77330	19	28
129067-77340	19	29
129072-12010	5	1
129100-01580	3	1
		15
	9	2
129100-01640	3	16
129100-01730	3	6
129100-01760	3	7
129100-11130	4	24
129100-23910	9	29
129100-35301	11	22
129100-42051	13	3
129100-42121	13	4
129100-77501	5	8
129100-77510	5	9
	20	26
129103-13100	6	1
129103-49301	11	42
129122-44480	2	10
129128-21590	9	12
129129-14580	7	3
129150-01200	1	27
129150-01881	10	1

Parts No. Index

Parts No.	Fig. No.	Ref. No.
129150-01881	20	4
129150-02020	1	6
129150-02450	7	4
129150-02871	1	32
129150-02931	1	24
129150-02941	1	35
129150-03070	4	41
129150-11230	4	9
129150-11280	4	7
129150-11370	4	12
129150-11750	4	11
129150-11810	4	58
129150-13110	6	2
	20	11
129150-14101	7	6
129150-14200	7	1
129150-14400	7	2
129150-23601	9	27
129150-23611	9	30
129150-25301	7	14
129150-26000	10	2
129150-26050	10	3
129150-32020	11	14
	20	14
129150-35042	11	21
	20	16
129150-35111	11	30
	20	17
129150-35153	11	54
129150-49811	13	27
	20	23
129150-59120	16	42
129150-59131	16	45
129150-77511	5	10
	20	27
129155-49801	13	26
129155-51280	15	5
129155-61460	15	26
129165-77520	5	11
129202-22300	9	21
129211-77920	19	35
129242-77010	18	1
129242-77100	18	3
129242-77110	18	4
129242-77120	18	5
129242-77130	18	6
129242-77140	18	7
129242-77150	18	8
129242-77160	18	9
129242-77170	18	10

Parts No.	Fig. No.	Ref. No.
129242-77180	18	12
129242-77210	18	15
129242-77260	18	19
129242-77270	18	21
129242-77280	18	22
129255-61410	15	22
129266-39620	12	15
129400-92420	20	39
129403-18091	8	5
	20	12
129403-42380	13	23
129417-33110	11	26
129417-35150	11	29
129418-18320	8	3
129418-32000	11	1
129486-01670	3	19
129486-42021	13	14
	20	18
129486-42050	20	19
129486-42140	13	16
	20	20
129486-59551	16	62
129508-33010	11	24
129508-33050	11	25
129508-49030	11	33
129535-18100	8	2
	20	13
129553-39650	11	51
129601-34801	11	16
129612-01600	3	2
129642-49180	11	40
129698-77020	18	2
129698-77190	18	13
129698-77200	18	14
129698-77220	18	16
129698-77230	18	17
129698-77250	18	18
129792-39410	11	45
129795-01780	3	18
129795-01900	19	1
129795-01950	2	8
129795-02412	1	9
129795-11120	4	22
129795-11180	4	25
129795-21661	9	9
129795-49551	13	29
	20	22
129900-07900	4	55
129916-49740	13	10
129972-77341	19	30

Parts No.	Fig. No.	Ref. No.
129C26-01890	10	6 -1
158552-51151	14	14
158552-51571	14	60
		61
158552-51580	14	64
158552-51600	14	74
158552-51670	14	128
158552-51781	14	100
158552-52100	14	130
158552-52311	14	109
158552-52400	14	110
158552-52500	14	131
158552-61441	15	24
158552-61900	15	78
158553-51551	14	126
158553-51630	14	75
158553-51640	14	77
158553-51660	14	78
158553-51670	14	69
158553-51680	14	79
158553-51770	14	106
158553-51930	14	103
	15	6
158553-61050	15	3
158557-51570	14	62
158563-51281	14	39
		40
158563-51330	14	50
158563-61060	15	88
158600-51270	14	38
158601-51550	14	58
158601-51570	14	63
158601-51650	14	127
158601-51770	14	99
158601-51790	14	101
171008-03990	11	34
		38
171051-01921	1	5
171056-49120	11	53
22190-080002	2	12
		13
	12	7
		9
	20	28
22190-100002	12	10
	20	29
22190-120002	14	104
		111
		133
	15	65

Parts No.	Fig. No.	Ref. No.
22190-180002	14	105
		112
22190-220002	3	10
	20	30
22217-140000	14	113
22252-000260	9	22
22312-050140	14	114
22351-030010	9	7
	11	52
22351-050010	14	115
22351-060012	4	34
22512-070140	7	7
	9	5
22857-500100	4	49
		50
		51
23000-022000	12	16
23000-041000	5	4
23000-054000	5	5
23061-070230	13	47
23080-015000	11	36
		41
23414-080000	12	11
	13	18
	20	31
23857-030000	12	8
23875-020000	13	11
23876-010000	13	12
24105-060064	10	5
24311-000070	14	117
24311-000120	4	53
	20	32
24311-000320	2	14
	4	54
	20	33
24311-240100	20	34
24314-000160	20	35
24316-000160	12	17
	20	36
24316-240100	11	19
	20	37
24341-000240	2	25
	20	38
24341-000360	15	84
24356-190180	14	118
24356-190200	14	72
		119
24372-000150	14	73
25152-003700	13	24
26106-060102	14	120

Parts No. Index

Parts No.	Fig. No.	Ref. No.
26106-060102	15	68
26106-060122	13	25
26106-060142	15	85
		86
26106-060162	2	26
	12	18
26106-060202	15	87
26106-080122	12	12
	13	19
26106-080142	7	8
26106-080162	2	15
		16
		23
	3	11
	4	56
	11	20
	13	20
	14	136
26106-080202	5	6
	11	43
	14	137
26106-080252	3	12
	4	35
	13	30
26106-080302	2	17
26106-080352	3	20
	4	36
	11	23
26106-080402	5	12
	7	13
26106-080452	3	13
	13	21
26106-080502	3	14
	4	37
	19	31
26106-080552	2	18
26106-080602	13	22
26106-080652	13	31
26106-080802	5	7
26106-080852	2	19
26106-080902	10	23
26106-080952	10	23 -1
26116-120202	18	24
26206-100252	3	4
26206-100302	3	5
26216-080402	10	24
26306-080002	2	20
	8	4
	10	25
26306-100002	19	27

Parts No.	Fig. No.	Ref. No.
26366-060002	12	13
26450-060252	11	15
26450-080452	14	122
26577-060142	13	13
26756-060002	15	69
26776-140002	14	123
27241-120000	1	14
27241-300000	1	10
27241-400000	4	21
27310-080001	4	28
729004-53200	16	1
729006-01560	1	1
729008-01500	2	1
729045-51330	14	1
729402-23100	9	23
977770-1207F	20	40
X2114535200	18	20
X9490561001	19	3

Parts No.	Fig. No.	Ref. No.
-----------	----------	----------

Parts No.	Fig. No.	Ref. No.
-----------	----------	----------