

0CW10-M23100EN

PREFACE

1. This parts catalog is the 1st edition of 3TNV84T-BKSA3 for Yanmar America.

Pub.No. : 000Y00W2310

Published :September,2007

Directions for the Parts Catalog.

1. This Parts Catalog shows both standard and optional parts.
2. Parts may change without prior notice.
3. The following is an example of the Parts Catalog format.

REF.	LEV.	PARTS NO.	DESCRIPTION	Q'TY						I	R
				(A)	(B)	(C)	(D)	(E)	(F)		
1	1	729595-51390	FUEL INJECTION PUMP	1	1	1	1	1			1
1-1	1	729595-51391	FUEL INJECTION PUMP	1	1	1	1	1		N	1
		(A=E00185) (B=E00200)									
3	2	26022-060162	SCREW M 6X 16	9	9	9	9	9			
3-1	2	26022-060162	SCREW M 6X 16	4	4	4	4	4		K	
		(A=E00156) (B=E00156) (C=E00156) (D=E00156) (E=E00156)									
4	2	129470-51040	CAMSHAFT	1	1	1	1	1			
5	2	122710-51050	BEARING, ROLLER	2	2	2	2	2			
6	2	129470-51060	RETAINER	1	1	1	1	1			

Remarks
(1) BOOST COMPEMSATOR TYPE. OPTIONAL PART, TO E00155,(4JH-DT, 4JH-DTZ

① Ref. No.

The Ref. No. listed may not be in accordance with the illustration Ref. No.

(Ex.) Illustration No.

List Ref No.

1 1 (Before change) → 1-1 (After change)

For interchangeable symbols N, R and K, illustrations for new parts may be abbreviated.

② Lev. (Level)

Level indication

The numbers below indicate the level of relativity towards the main part.

1 ---- Main parts (Assembly parts)

2 ---- Sub component included in " 1 ".

3 ---- Sub component included in " 2 ".

Note) Parts that are not for sale are partially illustrated but not listed.

③ Interchangeability Symbol

When a part change takes place, one of the following interchangeability symbols is indicated beside the part.

Symbol	Interchangeability	Contents note
N	Old $\begin{matrix} \leftarrow \text{Yes} \\ \text{No} \rightarrow \end{matrix}$ New	New Part is interchangeable for Old Part but Old Part is not interchangeable for New Part.
Q	Old $\begin{matrix} \leftarrow \text{No} \\ \text{Yes} \rightarrow \end{matrix}$ New	New Part is not interchangeable for Old Part but Old Part is interchangeable for New Part.
R	Old $\begin{matrix} \leftarrow \text{Yes} \\ \text{Yes} \rightarrow \end{matrix}$ New	New/ Old Parts are both interchangeable.
S	Old $\begin{matrix} \leftarrow \text{No} \\ \text{No} \rightarrow \end{matrix}$ New	New/ Old Parts are both not interchangeable.
W		Part newly added.
Z		Part discontinued.
F		Not interchangeable by a single part but interchangeable together with related parts.
K		Changes only for used parts quantities.

④ Effective Machine No.

When a part changes, the effective Machine No. will be indicated in the (A)-(F) column.

Product Symbol	Product No.	Product Symbol	Product No.
C	Clutch No. Compressor No.	F	Machine No. (Agricultural Equip.)
D	Drive No.	M	Machine No.
E	Engine No.		

Note 1) A date may follow the symbol. (Ex.) 1996.01

Note 2) "XXXXX" and "ZZZZZ" are for parts that could not be predicted or for engine models that could not be identified.

Note 3) (A=E00185) is the E (Engine Serial Number) for the column (A) model (in this case 4JH-DT) after the parts design change.

⑤ Remarks

Figures or alphabets (symbols) are entered in the remarks column.

The comments (remarks) on parts that are indicated at the bottom of the illustration are the same symbols as those stated above.

Contents

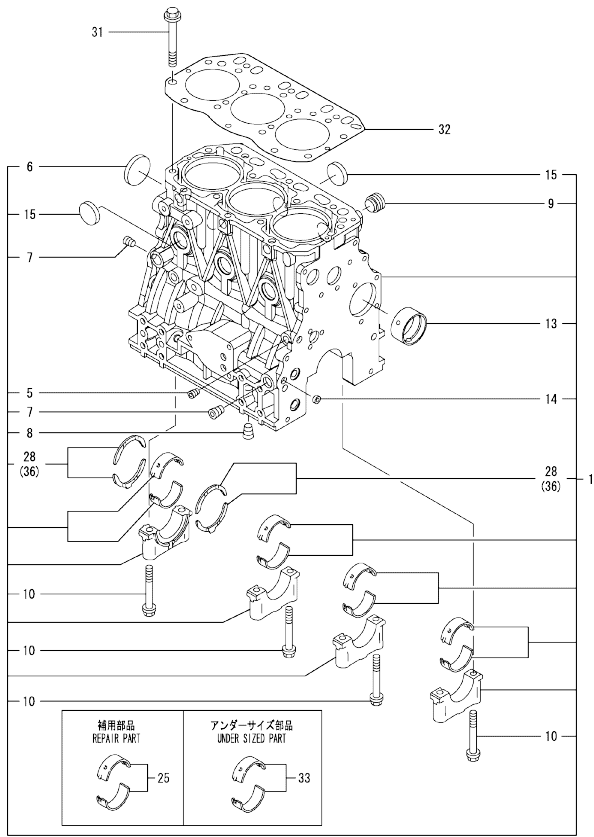
0CW10-M23100

Fig. No.	Fig. Name	Fig. No.	Fig. Name
ENGINE SECTION (3TNV84T-BKSA3)			
1.	CYLINDER BLOCK		
2.	GEAR HOUSING		
3.	MOUNTING FLANGE & OIL SUMP		
4.	CYLINDER HEAD & BONNET		
5.	SUCTION MANIFOLD		
6.	EXHAUST MANIFOLD		
7.	CAMSHAFT & DRIVING GEAR		
8.	TURBINE		
9.	CRANKSHAFT & PISTON		
10.	LUB.OIL SYSTEM		
11.	LUB.OIL LINE		
12.	COOLING WATER SYSTEM		
13.	FUEL INJECTION PUMP		
14.	GOVERNOR		
15.	FUEL INJECTION VALVE		
16.	FUEL LINE		
17.	STARTING MOTOR		
18.	GENERATOR		
19.	GASKET SET		

Fig.1. CYLINDER BLOCK

(A)=3TNV84T-BKSA3
(B)=
(C)=

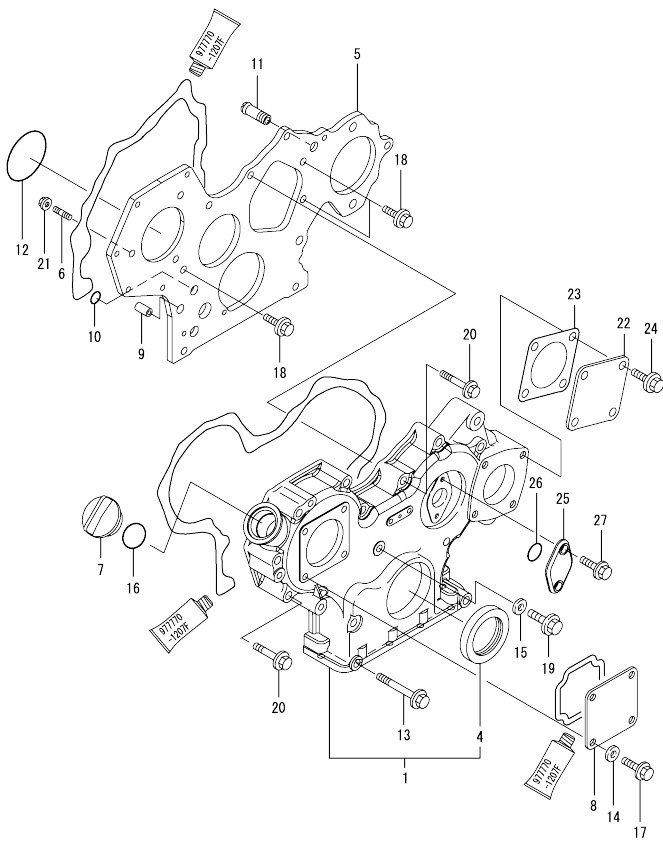
(D)=
(E)=
(F)=



No.	Lev.	Parts No.	Description	Q'ty						I	R
				(A)	(B)	(C)	(D)	(E)	(F)		
1	1	729006-01560	BLOCK ASSY, CYLINDER	1							
5	2	124060-01050	PLUG, PT1/8	1							
6	2	129001-01250	PLUG, 50	1							
7	2	124160-01910	PLUG, PT1/4	2							
8	2	124160-01910	PLUG, PT1/4	1							
9	2	171051-01921	PLUG, NPTF1	1							
10	2	129150-02020	BOLT, METAL CAP	8							
13	2	129795-02412	BUSH, CAMSHAFT	1							
14	2	27241-120000	PLUG, 12	2							
15	2	27241-300000	PLUG 30	6							
25	2	129001-02931	BEARING, MAIN	4							3
28	2	129150-02931	BEARING, THRUST	2							
31	1	129150-01200	BOLT, HEAD	14							
32	1	129002-01331	GASKET, HEAD	1							
33	1	129150-02871	BEARING, 0.25 US	4							1
36	1	129150-02941	BEARING, THRUST 0.25	1							2

Remarks
(1) UNDER-SIZE(U.S=0.25)PART.
(2) OVER-SIZE(O.S=0.25)PART.
(3) REPAIR PART.

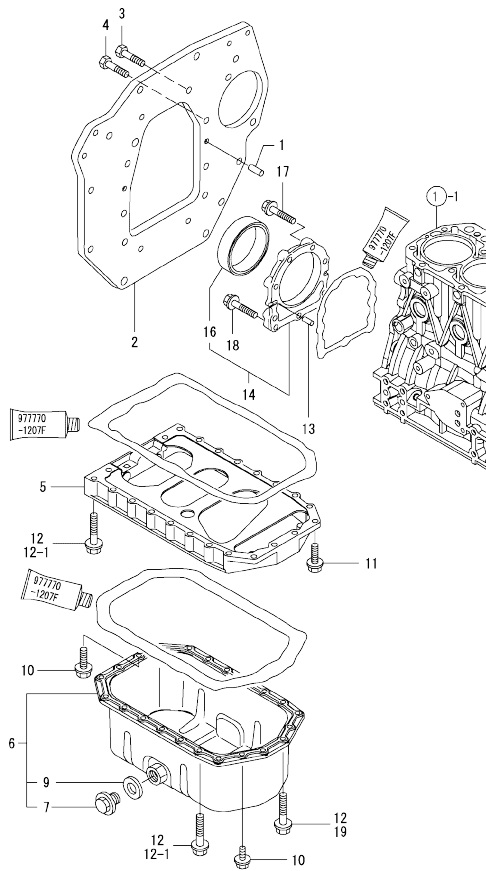
Fig.2. GEAR HOUSING



No.	Lev.	Parts No.	Description	Q'ty						I	R
				(A)	(B)	(C)	(D)	(E)	(F)		
1	1	729604-01500	CASE ASSY, GEAR	1							
4	2	119934-01800	SEAL, OIL	1							
5	1	129009-01540	FLANGE, GEAR CASE	1							
6	1	119802-01561	STUD, M8X25	3							
7	1	124160-01751	COVER, FILLER	1							
8	1	124240-01871	COVER	1							
9	1	129795-01950	PIPE, KNOCK L=18	2							
10	1	119609-32040	O-RING, P16	4							
11	1	129122-44480	JOINT	1							
12	1	121850-51960	O-RING	1							
13	1	129001-91841	BOLT, M8X85	3							
14	1	22190-080002	WASHER, SEAL 6	4							
15	1	22190-080002	WASHER, SEAL 6	1							
16	1	24311-000320	O-RING, 1AP32.0	4							
17	1	26106-080162	BOLT, M8X 16 PLATED	4							
18	1	26106-080162	BOLT, M8X 16 PLATED	3							
19	1	26106-080302	BOLT, M8X 30 PLATED	1							
20	1	26106-080552	BOLT, M8X 55 PLATED	11							
21	1	26306-080002	NUT, M8	3							
22	1	124240-01871	COVER	1							
23	1	124240-01883	GASKET	1							
24	1	26106-080162	BOLT, M8X 16 PLATED	4							
25	1	121023-01551	COVER	1							
26	1	24341-000240	O-RING, 1AS24.0	1							
27	1	26106-060162	BOLT, M6X 16 PLATED	2							

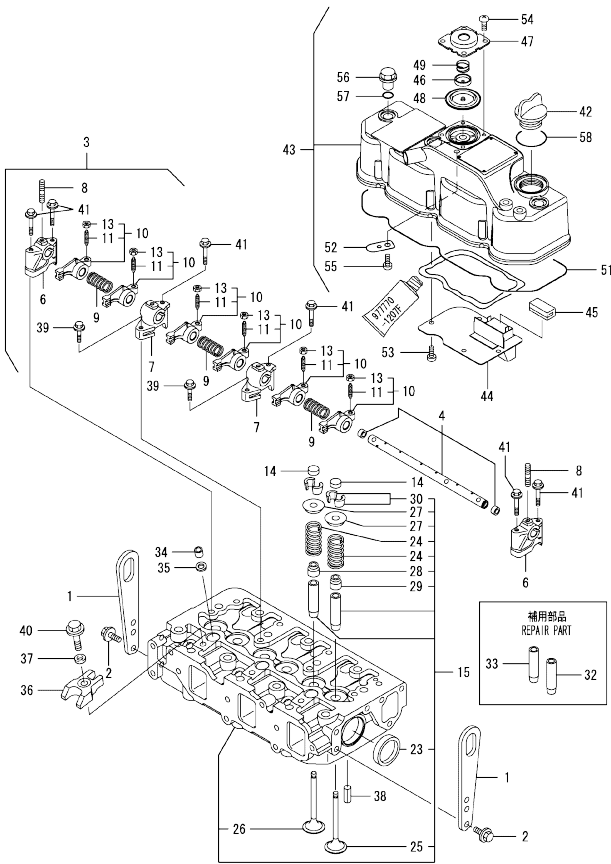
N:Old $\frac{100}{100}$ New, Q:Old $\frac{100}{100}$ New, R:Old $\frac{100}{100}$ New, S:Old $\frac{100}{100}$ New, W:Add, Z:Discontinued, F:Interchangeable by set, K:Q'ty Change
 Copyright (C) YANMAR CO., LTD. All Rights Reserved.

Fig.3. MOUNTING FLANGE & OIL SUMP



No.	Lev.	Parts No.	Description	Q'ty						I	R
				(A)	(B)	(C)	(D)	(E)	(F)		
1	1	129100-01580	PIN, M8X16	2							
2	1	129129-01600	FLANGE, MOUNTING	1							
3	1	26206-100202	BOLT, M10X 20 PLATED	6							
4	1	26206-100252	BOLT, M10X 25 PLATED	2							
5	1	129100-01730	SPACER, OIL SUMP	1							
6	1	129100-01760	SUMP ASSY, OIL	1							
7	2	119640-01640	PLUG, DRAIN M22	1							
9	2	22190-220002	WASHER, SEAL 22	1							
10	1	26106-080162	BOLT, M8X 16 PLATED	4							
11	1	26106-080252	BOLT, M8X 25 PLATED	2							
12	1	26106-080452	BOLT, M8X 45 PLATED	20							
12-1	1	26106-080452	BOLT, M8X 45 PLATED	16							K
(A=FROM 1ST)											
13	1	129100-01580	PIN, M8X16	2							
14	1	129100-01640	CASE ASSY, OIL SEAL	1							
16	2	129795-01780	SEAL, OIL	1							
17	1	129486-01670	BOLT, M8X30	6							
18	1	26106-080352	BOLT, M8X 35 PLATED	3							
19	1	26106-080502	BOLT, M8X 50 PLATED	4							W
(A=FROM 1ST)											

Fig.4. CYLINDER HEAD & BONNET



(A)=3TNV84T-BKSA3
(B)=
(C)=

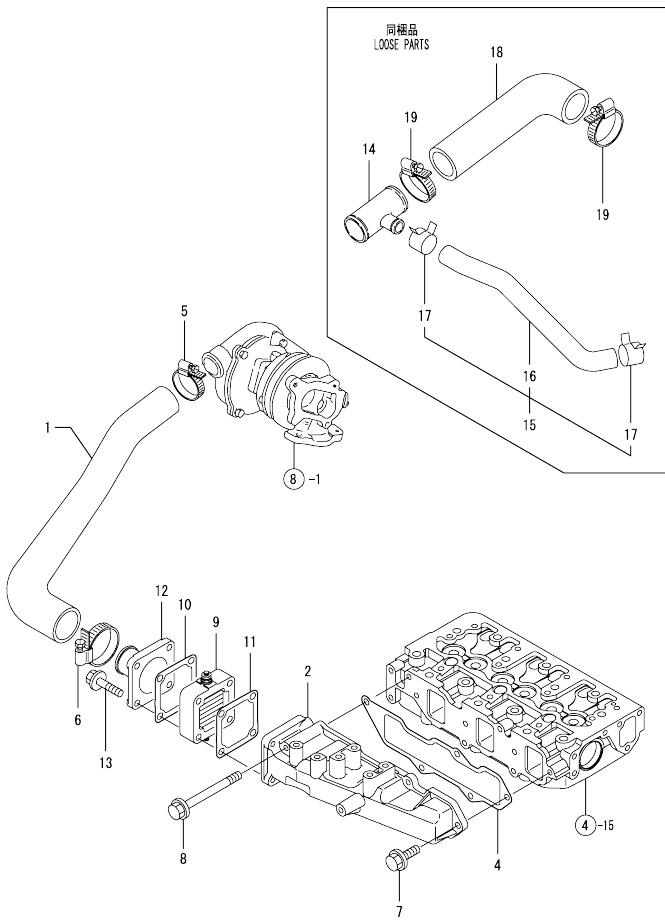
(D)=
(E)=
(F)=

No.	Lev.	Parts No.	Description	Qty						I	R
				(A)	(B)	(C)	(D)	(E)	(F)		
1	1	129900-07900	LIFTER	2							
2	1	26106-080162	BOLT, M8X 16 PLATED	4							
3	1	129004-11241	SHAFT ASSY, ROCKER	1							
4	2	129004-11251	SHAFT, ROCKER ARM	1							
6	2	119802-11260	SUPPORT, ROCKER ARM	2							
7	2	119802-11270	SUPPORT, ROCKER ARM	2							
8	2	119802-11280	STUD	3							
9	2	129150-11280	SPRING	3							
10	2	129004-11650	ARM, ROCKER	6							
11	3	129150-11230	SCREW, VALVE ADJUST	6							
13	3	129150-11750	NUT, M8	6							
14	1	129150-11370	CAP, VALVE	6							
15	1	129009-11710	HEAD ASSY, CYLINDER	1							
23	2	27241-400000	PLUG, 40	2							
24	2	129795-11120	SPRING, VALVE	6							
25	2	129005-11100	VALVE, INTAKE	3							
26	2	129100-11112	VALVE, EXHAUST	3							
27	2	129795-11180	RETAINER, SPRING	6							
28	2	121400-11340	SEAL, VALVE STEM	3							
29	2	124460-11340	SEAL, VALVE STEM	3							
30	2	27310-080001	COTTER, 8	6							
32	1	120130-11860	GUIDE, VALVE	3							1
33	1	129150-11810	GUIDE, VALVE	3							1
34	1	119802-11870	PROTECTOR, NOZZLE	3							
35	1	119625-11880	SEAT, NOZZLE	3							
36	1	129004-11900	RETAINER, NOZZLE	3							
37	1	120270-54410	WASHER, INJECTOR	3							
38	1	22351-060012	PIN, SPRING 6.0X12	2							
39	1	26106-080252	BOLT, M8X 25 PLATED	2							
40	1	26106-080352	BOLT, M8X 35 PLATED	3							
41	1	26106-080502	BOLT, M8X 50 PLATED	6							
42	1	124160-01751	COVER, FILLER	1							
43	1	129009-11350	BONNET ASSY, HEAD	1							
44	2	129004-03010	PLATE	1							
45	2	129150-03070	BAFFLE, BREATHER	1							
46	2	119802-03110	PLATE	1							
47	2	119802-03121	COVER, DIAPHRAGM	1							
48	2	119802-03130	DIAPHRAGM	1							
49	2	119802-03141	SPRING, DIAPHRAGM	1							
51	2	129004-11310	GASKET, BONNET	1							
52	2	129009-11340	SPRING	1							
53	2	22857-500100	SCREW, 5X10	4							
54	2	22857-500100	SCREW, 5X10	4							
55	2	22857-500100	SCREW, 5X10	1							
56	1	124160-11360	KNOB	3							
57	1	24311-000120	O-RING, 1AP12.0	3							
58	1	24311-000320	O-RING, 1AP32.0	1							

Remarks
(1) REPAIR PART.

N:Old $\frac{100}{100}$ New, Q:Old $\frac{100}{100}$ New, R:Old $\frac{100}{100}$ New, S:Old $\frac{100}{100}$ New, W:Add, Z:Discontinued, F:Interchangeable by set, K:Qty Change
Copyright (C) YANMAR CO., LTD. All Rights Reserved.

Fig.5. SUCTION MANIFOLD



(A)=3TNV84T-BKSA3
(B)=
(C)=

(D)=
(E)=
(F)=

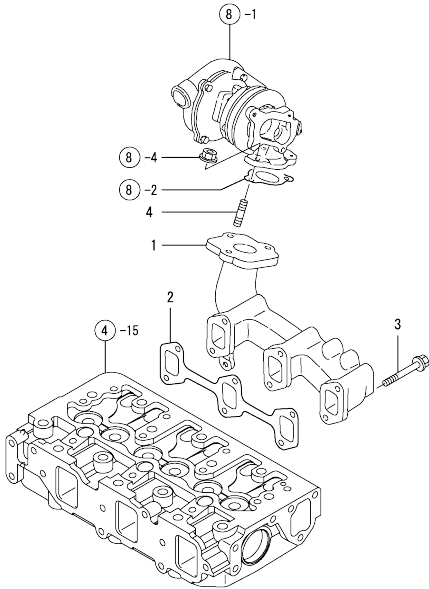
No.	Lev.	Parts No.	Description	Q'ty						I	R
				(A)	(B)	(C)	(D)	(E)	(F)		
1	1	129009-12060	PIPE, AIR INTAKE	1							
2	1	129006-12100	MANIFOLD, AIR INTAKE	1							
4	1	129001-12110	GASKET, MANIFOLD	1							
5	1	23000-041000	CLAMP, 41	1							
6	1	23000-060000	CLAMP, 60	1							
7	1	26106-080202	BOLT, M8X 20 PLATED	4							
8	1	26106-080802	BOLT, M8X 80 PLATED	1							
9	1	129100-77501	HEATER	1							
10	1	129100-77510	GASKET	1							
11	1	129150-77511	GASKET	1							
12	1	129165-77520	BEND, AIR HEATER	1							
13	1	26106-080402	BOLT, M8X 40 PLATED	4							
14	1	129009-03050	JOINT, BREATHER	1							
15	1	129009-03080	HOSE ASSY, BREATHER	1							
16	2	129009-03090	HOSE, BREATHER	1							
17	2	129410-03990	CLIP	2							
18	1	129009-12070	PIPE, AIR INTAKE	1							
19	1	23000-054000	CLAMP, 54	2							

Fig.6. EXHAUST MANIFOLD

(A)=3TNV84T-BKSA3
(B)=
(C)=

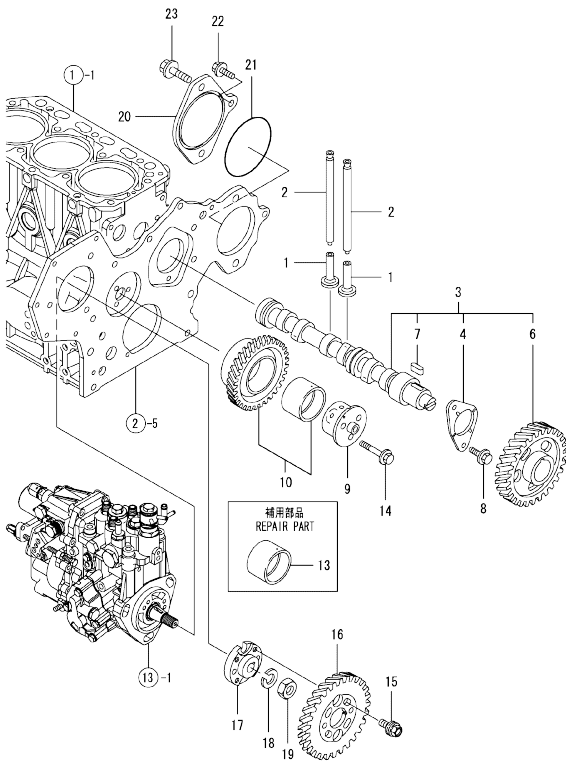
(D)=
(E)=
(F)=

No.	Lev.	Parts No.	Description	Q'ty					
				(A)	(B)	(C)	(D)	(E)	(F)
1	1	129139-13100	MANIFOLD, EXHAUST	1					
2	1	129150-13110	GASKET	1					
3	1	123900-13630	BOLT, M8X80	6					
4	1	119131-18320	STUD, M8X22	3					



0CW10-M23100 ENGINE SECTION (3TNV84T-BKSA3)
 Fig.7. CAMSHAFT & DRIVING GEAR

0CW10-M23100 Fig.7



(A)=3TNV84T-BKSA3
 (B)=
 (C)=

(D)=
 (E)=
 (F)=

No.	Lev.	Parts No.	Description	Q'ty						I	R
				(A)	(B)	(C)	(D)	(E)	(F)		
1	1	129150-14200	TAPPET	6							
2	1	129150-14400	ROD, PUSH L=178	6							
3	1	129129-14580	CAMSHAFT ASSY	1							
4	2	129150-02450	BEARING, THRUST	1							
6	2	129150-14101	GEAR, CAMSHAFT	1							
7	2	22512-070140	KEY, 7X 14	1							
8	1	26106-080142	BOLT, M8X 14 PLATED	2							
9	1	119803-25050	SHAFT, IDLE	1							
10	1	119802-25101	GEAR ASSY, IDLE	1							
13	1	119802-25071	BUSH, IDLE GEAR	1							1
14	1	26106-080402	BOLT, M8X 40 PLATED	3							
15	1	129150-25301	BOLT	4							
16	1	119802-25901	GEAR, PUMP	1							
17	1	158552-51151	FLANGE	1							
18	1	22217-140000	WASHER, SPRING 14	1							
19	1	26776-140002	NUT, LOCK M14	1							
20	1	129430-26070	COVER	1							
21	1	24321-000800	O-RING, 1AG80.0	1							
22	1	26106-080252	BOLT, M8X 25 PLATED	1							
23	1	26106-100302	BOLT, M10X 30 PLATED	2							

Remarks
 (1) REPAIR PART.

N:Old $\frac{100}{100}$ New, Q:Old $\frac{100}{100}$ New, R:Old $\frac{100}{100}$ New, S:Old $\frac{100}{100}$ New, W:Add, Z:Discontinued, F:Interchangeable by set, K:Q'ty Change
 Copyright (C) YANMAR CO., LTD. All Rights Reserved.

Fig.8. TURBINE

(A)=3TNV84T-BKSA3
(B)=
(C)=

(D)=
(E)=
(F)=

No.	Lev.	Parts No.	Description	Q'ty					
				(A)	(B)	(C)	(D)	(E)	(F)
1	1	129266-18010	TURBINE, RHB31W/G	1					
2	1	129535-18100	GASKET	1					
3	1	129418-18320	STUD, M8X20	4					
4	1	26306-080002	NUT, M8	3					
5	1	129403-18091	GASKET	1					

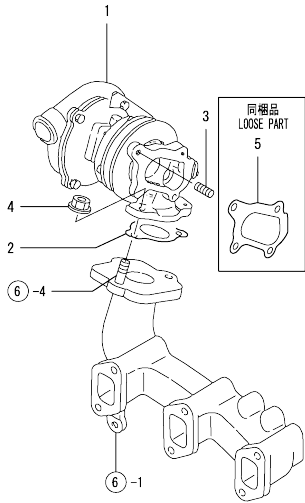
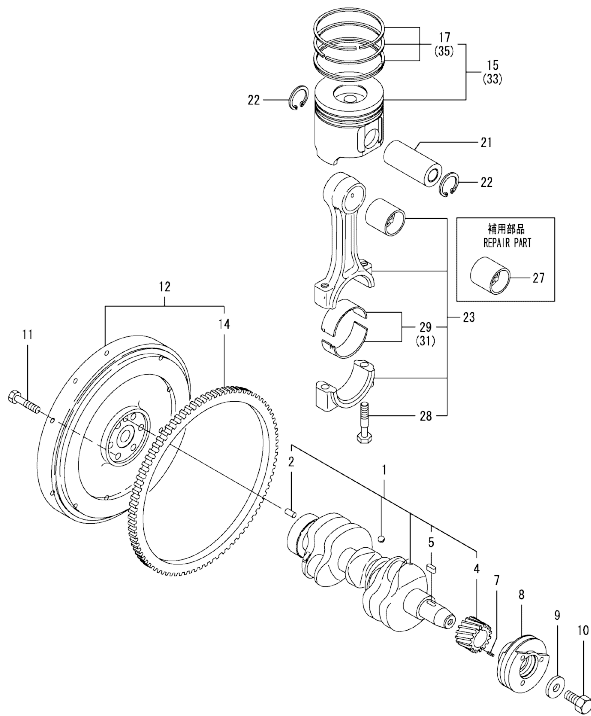


Fig.9. CRANKSHAFT & PISTON



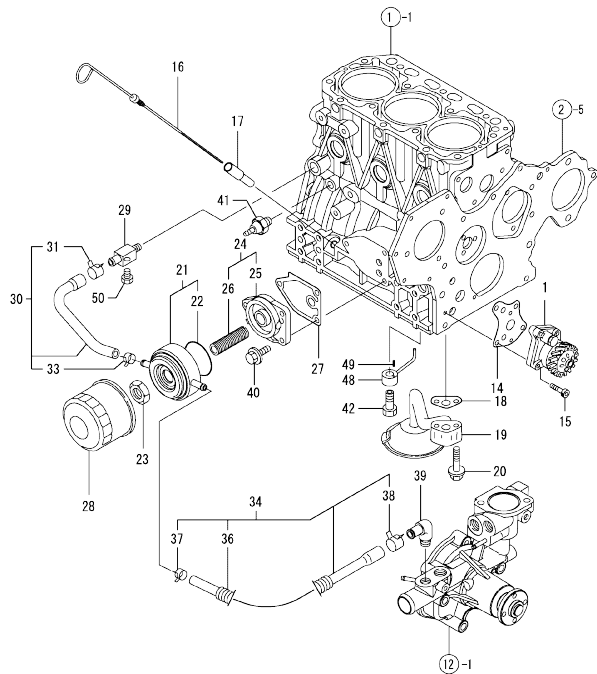
(A)=3TNV84T-BKSA3
(B)=
(C)=

(D)=
(E)=
(F)=

No.	Lev.	Parts No.	Description	Q'ty						I	R
				(A)	(B)	(C)	(D)	(E)	(F)		
1	1	129008-21000	CRANKSHAFT ASSY	1							
2	2	129100-01580	PIN, M8X16	1							
4	2	119803-21200	GEAR, CRANKSHAFT	1							
5	2	22512-070140	KEY, 7X 14	1							
7	1	22351-030010	PIN, SPRING 3.0X10	1							
8	1	129004-21650	V-PULLEY, 110	1							
9	1	129795-21661	WASHER	1							
10	1	121850-21680	BOLT	1							
11	1	121111-21501	BOLT, FLYWHEEL	6							
12	1	171340-21580	FLYWHEEL ASSY	1							
14	2	119865-21600	GEAR, RING	1							
15	1	129007-22080	PISTON ASSY	3							
17	2	129007-22500	RING SET, PISTON	3							
21	1	129202-22300	PIN, PISTON D26 L70	3							
22	1	22252-000260	RING, 26	6							
23	1	729402-23100	ROD ASSY, CONNECTING	3							
27	2	129100-23910	BEARING, PISTON PIN	3							1
28	2	121550-23200	BOLT, CONNECTING ROD	6							
29	2	129150-23601	BEARING, CRANK PIN	3							
31	1	129150-23611	BEARING, 0.25 US	3							2
33	1	129007-22900	PISTON ASSY, 0.25 OS	3							3
35	2	129007-22950	RING SET, 0.25 OS	3							3

Remarks
(1) REPAIR PART.
(2) UNDER-SIZE(U.S=0.25)PART.
(3) OVER-SIZE(O.S=0.25)PART.

Fig.10. LUB.OIL SYSTEM



(A)=3TNV84T-BKSA3
(B)=
(C)=

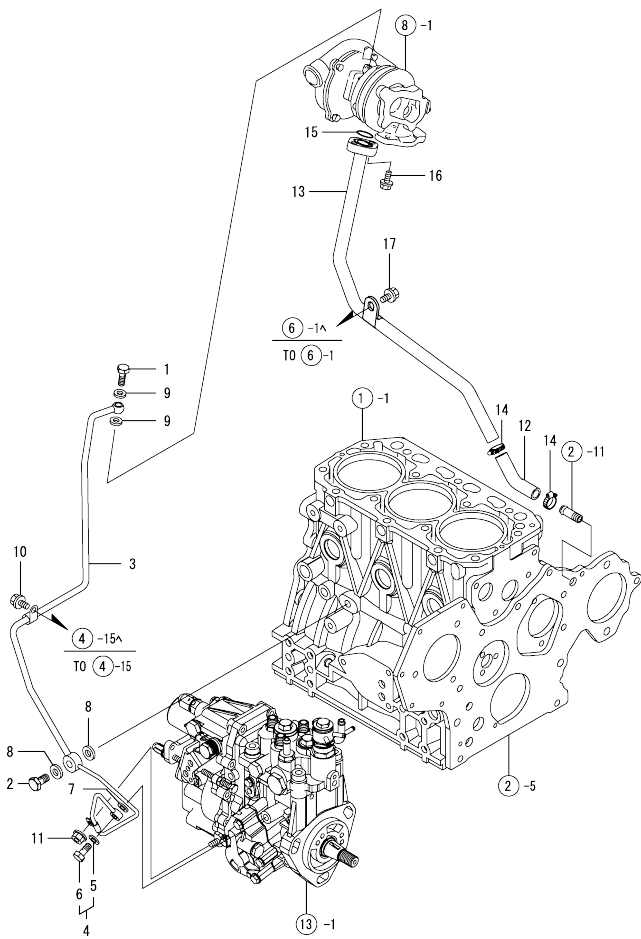
(D)=
(E)=
(F)=

No.	Lev.	Parts No.	Description	Q'ty						I	R
				(A)	(B)	(C)	(D)	(E)	(F)		
1	1	129418-32000	PUMP ASSY, OIL	1							
14	1	129150-32020	GASKET, PUMP	1							
15	1	26450-060252	BOLT, M6X 25	4							
16	1	129004-34802	DIPSTICK, OIL	1							
17	1	121520-34810	GUIDE, DIPSTICK	1							
18	1	129150-35042	GASKET	1							
19	1	129100-35301	PIPE ASSY, OIL INLET	1							
20	1	26106-080352	BOLT, M8X 35 PLATED	2							
21	1	129508-33010	COOLER ASSY, OIL	1							
22	2	129508-33050	O-RING	1							
23	1	129417-33110	NUT	1							
24	1	129006-35100	BRACKET ASSY, FILTER	1							
25	2	119802-35110	BRACKET, FILTER	1							
26	2	129417-35150	STUD, L=67	1							
27	1	129150-35111	GASKET	1							
28	1	129150-35170	FILTER, LO	1							1
29	1	129006-44480	JOINT	1							
30	1	129508-49030	PIPE ASSY, WATER	1							
31	2	171008-03990	CLIP, HOSE 18.5	1							
33	2	23080-015000	CLAMP, 15	1							
34	1	129006-49040	PIPE ASSY, WATER	1							
36	2	129642-49180	TUBE, CORRUGATED	1							
37	2	23080-015000	CLAMP, 15	1							
38	2	23080-018000	CLAMP, 18	1							
39	1	129103-49301	ELBOW, PT1/4	1							
40	1	26106-080202	BOLT, M8X 20 PLATED	3							
41	1	114250-39450	SWITCH, 0.5KG	1							
42	1	129792-39410	VALVE ASSY, CHECK	3							
48	1	129553-39650	NOZZLE	3							
49	1	22351-030010	PIN, SPRING 3.0X10	3							
50	1	171056-49120	PLUG, DRAIN	1							

Remarks
(1) REPAIR PART.

N:Old $\frac{100}{100}$ New, Q:Old $\frac{100}{100}$ New, R:Old $\frac{100}{100}$ New, S:Old $\frac{100}{100}$ New, W:Add, Z:Discontinued, F:Interchangeable by set, K:Qty Change
Copyright (C) YANMAR CO., LTD. All Rights Reserved.

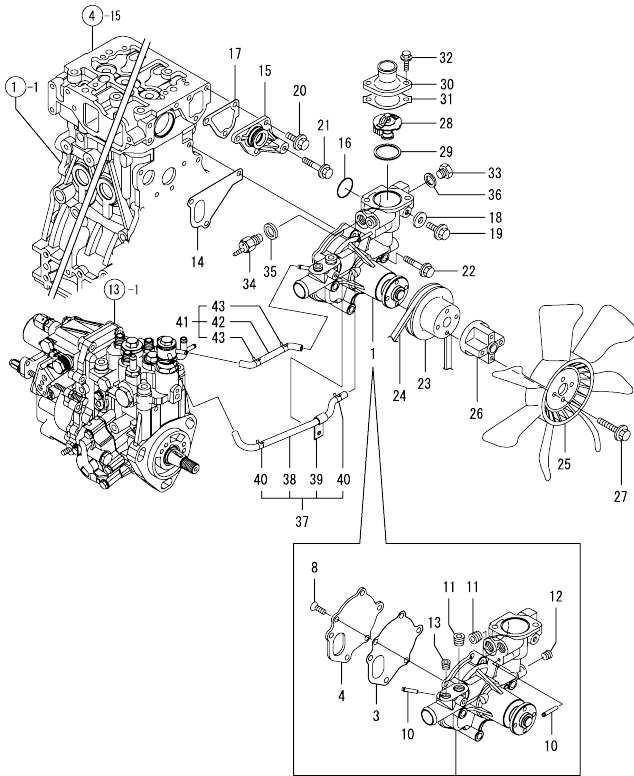
Fig.11. LUB.OIL LINE



No.	Lev.	Parts No.	Description	Q'ty						I	R
				(A)	(B)	(C)	(D)	(E)	(F)		
1	1	105010-39140	BOLT, PIPE JOINT	1							
2	1	124160-39140	BOLT, PIPE JOINT M10	1							
3	1	129006-39450	PIPE ASSY, OIL	1							
4	1	129005-59830	BOLT ASSY, JOINT M8	1							
5	2	22190-080002	WASHER, SEAL 6	1							
6	2	23857-030000	BOLT, JOINT 3	1							
7	1	22190-080002	WASHER, SEAL 6	1							
8	1	22190-100002	WASHER, SEAL 10	2							
9	1	23414-080000	GASKET, 8X1.0	2							
10	1	26106-080122	BOLT, M8X 12 PLATED	1							
11	1	26366-060002	NUT, M6	1							
12	1	129044-39610	JOINT, RUBBER	1							
13	1	129139-39610	PIPE, OIL	1							
14	1	23000-022000	CLAMP, 22	2							
15	1	24316-000160	O-RING, 4DP16.0	1							
16	1	26106-060162	BOLT, M6X 16 PLATED	2							
17	1	26106-080122	BOLT, M8X 12 PLATED	1							

N:Old $\frac{100}{100}$ New, Q:Old $\frac{100}{100}$ New, R:Old $\frac{100}{100}$ New, S:Old $\frac{100}{100}$ New, W:Add, Z:Discontinued, F:Interchangeable by set, K:Q'ty Change
 Copyright (C) YANMAR CO., LTD. All Rights Reserved.

Fig.12. COOLING WATER SYSTEM

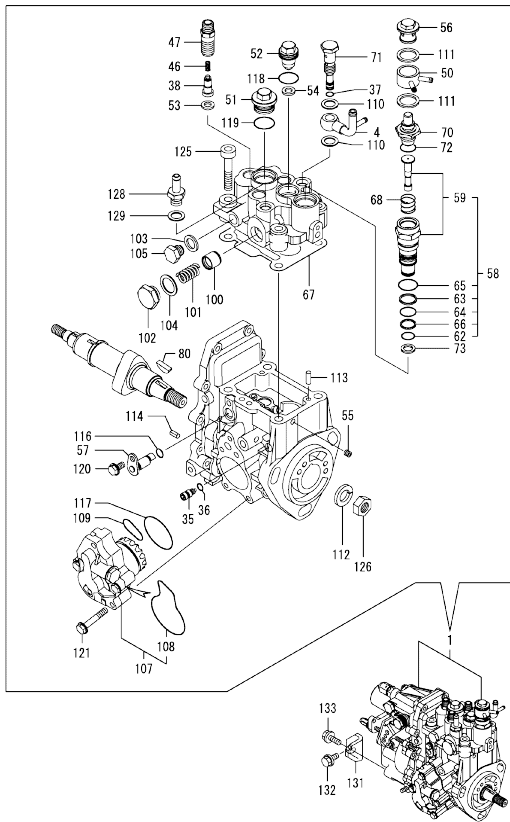


No.	Lev.	Parts No.	Description	Q'ty						I	R
				(A)	(B)	(C)	(D)	(E)	(F)		
1	1	129004-42001	PUMP ASSY, WATER	1							
3	2	129100-42051	GASKET, WATER PUMP	1							
4	2	129100-42121	PLATE	1							
8	2	121850-42410	SCREW	3							
10	2	119802-49113	JOINT, PIPE	2							
11	2	129916-49740	PLUG, R03	2							
12	2	23876-010000	PLUG, R01	1							
13	2	23876-020000	PLUG, R02	1							
14	1	129486-42021	GASKET, WATER PUMP	1							
15	1	129004-42040	JOINT	1							
16	1	129486-42140	O-RING, G30	1							
17	1	124395-49840	GASKET	1							
18	1	23414-080000	GASKET, 8X1.0	1							
19	1	26106-080122	BOLT, M8X 12 PLATED	1							
20	1	26106-080162	BOLT, M8X 16 PLATED	3							
21	1	26106-080452	BOLT, M8X 45 PLATED	1							
22	1	26106-080602	BOLT, M8X 60 PLATED	3							
23	1	129403-42380	V-PULLEY, D=110	1							
24	1	119865-42290	V-BELT, A36.5	1							
24-1	1	25152-003600	V-BELT, A36	1							N
(A=EXXXXXX)											
25	1	121267-44741	FAN, COOLING D=360	1							
26	1	171353-44760	SPACER, FAN	1							
27	1	26106-060402	BOLT, M6X 40 PLATED	4							
28	1	129155-49801	THERMOSTAT, 71	1							
29	1	129150-49811	GASKET, THERMOSTAT	1							
30	1	129350-49530	COVER, THERMOSTAT	1							
31	1	129795-49551	GASKET	1							
32	1	26106-080222	BOLT, M8X 22 PLATED	2							
33	1	121450-42450	PLUG, M16	1							
34	1	121250-44901	SWITCH, 110	1							
35	1	124465-44950	GASKET, 16	1							
36	1	124465-44950	GASKET, 16	1							
37	1	129004-49610	PIPE ASSY, WATER	1							
38	2	129004-49711	PIPE ASSY, WATER	1							
39	2	119802-49730	RETAINER, PIPE	1							
40	2	124722-59050	CLIP, HOSE 9	2							
41	1	129004-49620	PIPE ASSY, WATER	1							
42	2	129004-49721	PIPE ASSY, WATER	1							
43	2	124722-59050	CLIP, HOSE 9	2							

Fig.13. FUEL INJECTION PUMP

(A)=3TNV84T-BKSA3
(B)=
(C)=

(D)=
(E)=
(F)=

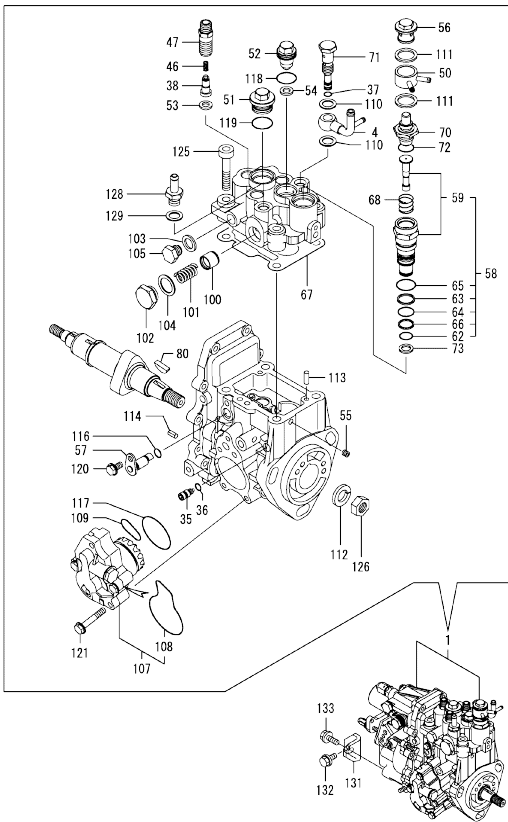


No.	Lev.	Parts No.	Description	Q'ty						I	R	
				(A)	(B)	(C)	(D)	(E)	(F)			
1	1	729085-51300	PUMP ASSY, INJECTION	1							1	
4	2	158552-51670	JOINT, OVER FLOW	1								
35	2	158600-51270	STOPPER, TAPPET	1								
36	2	158563-51281	O-RING, 4D S6	1								
37	2	158563-51281	O-RING, 4D S6	1								
38	2	129008-51300	VALVE ASSY, DELIVERY	3								
46	2	158563-51330	SPRING, DELIVERY	3								
47	2	129928-51340	HOLDER, DELIVERY	3								
50	2	158553-51551	JOINT	1								
51	2	158601-51550	PLUG	1								
52	2	119802-51560	PLUG, BARREL	1								
53	2	158552-51570	GASKET	3								
54	2	158552-51570	GASKET	1								
55	2	158557-51570	PLUG	1								
56	2	158601-51570	PLUG	1								
57	2	158552-51580	LIFTER	1								
58	2	119802-51590	TIMER SET	1								
59	3	119802-51600	TIMER ASSY	1								
62	3	158553-51670	O-RING, 1011	1								
63	3	119802-51680	RING, BACK UP	1								
64	3	119802-51690	O-RING	1								
65	3	24356-010200	O-RING, 4D1020	1								
66	3	24372-000150	RING, BACK UP T2P15	1								
67	2	158552-51600	GASKET	1								
68	2	158553-51630	SPRING, TIMER	1								
70	2	158553-51640	ELEMENT	1								
71	2	158601-51650	JOINT, OVER FLOW	1								
72	2	158553-51660	O-RING, P14	1								
73	2	158553-51680	GASKET	1								
80	2	119802-51090	KEY, 4X16	1								
100	2	158601-51770	PISTON	1								
101	2	158552-51781	SPRING	1								
102	2	158601-51790	PLUG	1								
103	2	22190-120002	WASHER, SEAL 12	1								
104	2	22190-180002	WASHER, SEAL 18	1								
105	2	23887-120002	PLUG, 12	1								
107	2	158552-52100	PUMP ASSY, FUEL FEED	1								
108	3	158552-52500	O-RING	1								
109	2	158552-52310	O-RING	1								
110	2	22190-120002	WASHER, SEAL 12	2								
111	2	22190-180002	WASHER, SEAL 18	2								
112	2	22217-140000	WASHER, SPRING 14	1								
113	2	22312-050140	PIN, PARALLEL M5X14	2								
114	2	22351-050010	PIN, SPRING 5.0X10	2								
116	2	24311-000070	O-RING, 1AP7.0	1								
117	2	158552-52400	O-RING, 4E S42	1								
118	2	24356-010180	O-RING, 4D1018	1								
119	2	24356-010200	O-RING, 4D1020	1								
120	2	26106-060102	BOLT, M6X 10 PLATED	1								
121	2	158553-51770	BOLT	4								
125	2	26450-080452	BOLT, M8X 45	4								

Remarks
(1) GOVERNOR ASSY(FIG.14) IS
INCORPORATED IN THIS FOP.CMP
(REF.NO.1).

N:Old $\frac{REV}{REV}$ New, Q:Old $\frac{REV}{REV}$ New, R:Old $\frac{REV}{REV}$ New, S:Old $\frac{REV}{REV}$ New, W:Add, Z:Discontinued, F:Interchangeable by set, K:Q'ty Change
++ CONTINUE ++
Copyright (C) YANMAR CO., LTD. All Rights Reserved.

Fig.13. FUEL INJECTION PUMP



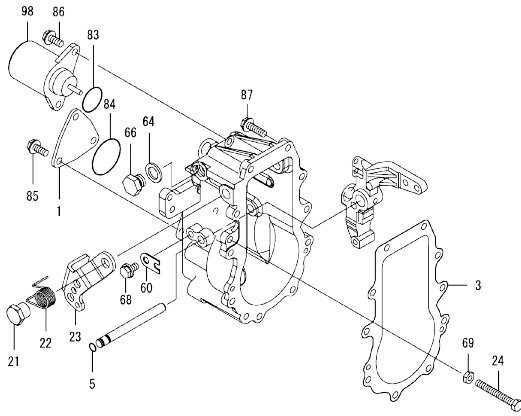
(A)=3TNV84T-BKSA3
(B)=
(C)=

(D)=
(E)=
(F)=

No.	Lev.	Parts No.	Description	Q'ty					
				(A)	(B)	(C)	(D)	(E)	(F)
126	2	26776-140002	NUT, LOCK M14	1					
128	2	119934-59910	JOINT, PIPE	1					
129	2	22190-120002	WASHER, SEAL 12	1					
131	1	119802-51250	RETAINER, PUMP	1					
132	1	26106-080162	BOLT, M8X 16 PLATED	1					
133	1	26106-080202	BOLT, M8X 20 PLATED	1					

Remarks
(1) GOVERNOR ASSY(FIG.14) IS
INCORPORATED IN THIS FOP.CMP
(REF.NO.1).

Fig.14. GOVERNOR



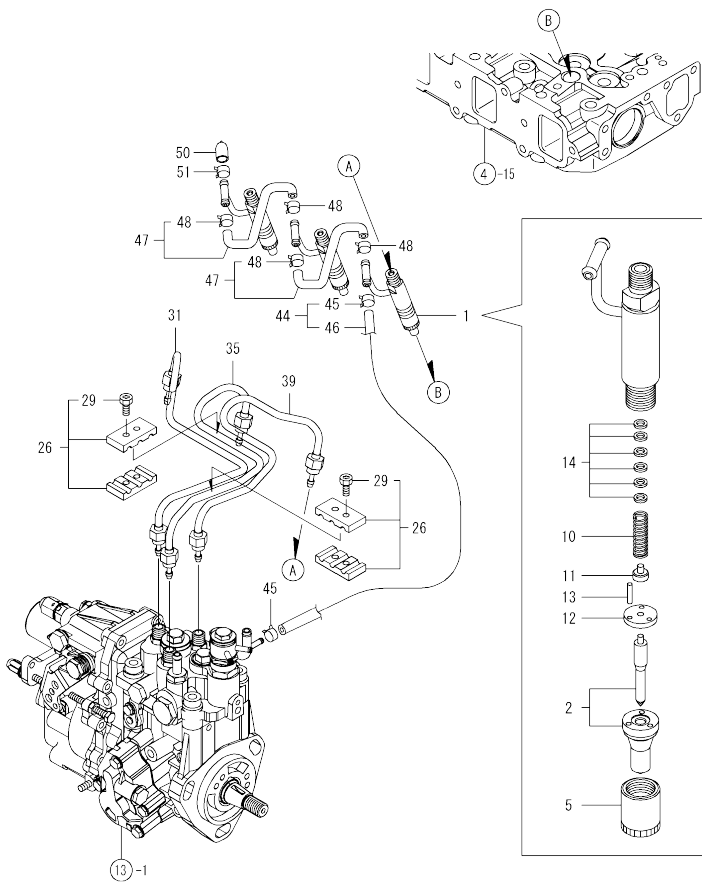
(A)=3TNV84T-BKSA3
(B)=
(C)=

(D)=
(E)=
(F)=

No.	Lev.	Parts No.	Description	Q'ty						I	R
				(A)	(B)	(C)	(D)	(E)	(F)		
1	2	158553-61060	COVER, GOVERNOR CASE	1							
3	2	158553-61050	GASKET	1							
5	2	129155-51280	O-RING, S6	1							
21	2	129255-61410	NUT, LOCK	1							
22	2	119807-61420	SPRING, RETURN	1							
23	2	158552-61441	LEVER, REGULATOR	1							
24	2	129155-61460	BOLT, IDLE	1							
60	2	119660-61901	RETAINER, SHAFT	1							
64	2	22190-120000	WASHER, SEAL 12	1							
66	2	23887-120002	PLUG, 12	1							
68	2	26106-060102	BOLT, M6X 10 PLATED	1							
69	2	26756-060002	NUT, LOCK M6	1							
83	2	158552-61900	O-RING	1							
84	2	24341-000360	O-RING, 1AS36.0	1							
85	2	26106-060142	BOLT, M6X 14 PLATED	3							
86	2	26106-060142	BOLT, M6X 14 PLATED	2							
87	2	26106-060202	BOLT, M6X 20 PLATED	10							
98	2	119653-77950	SOLENOID, STOP	1							

Remarks
* THIS FIGURE(GOVERNOR ASSY)IS
INCORPORATED IN THE FUEL INJECTION
PUMP ASSY(FIG.13).

Fig.15. FUEL INJECTION VALVE

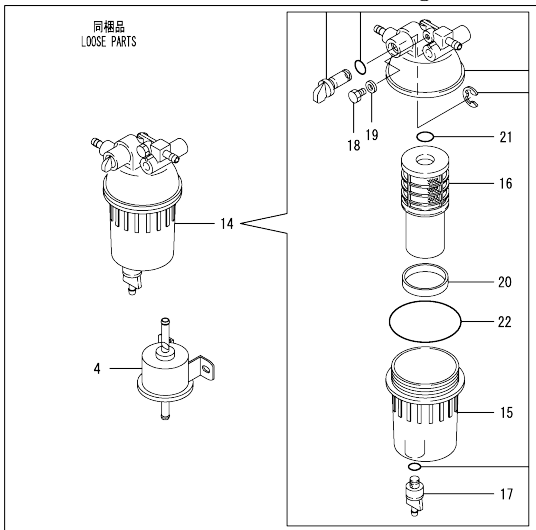
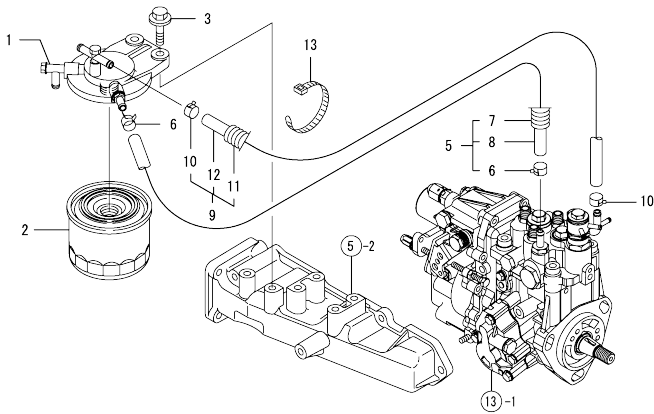


(A)=3TNV84T-BKSA3
(B)=
(C)=

(D)=
(E)=
(F)=

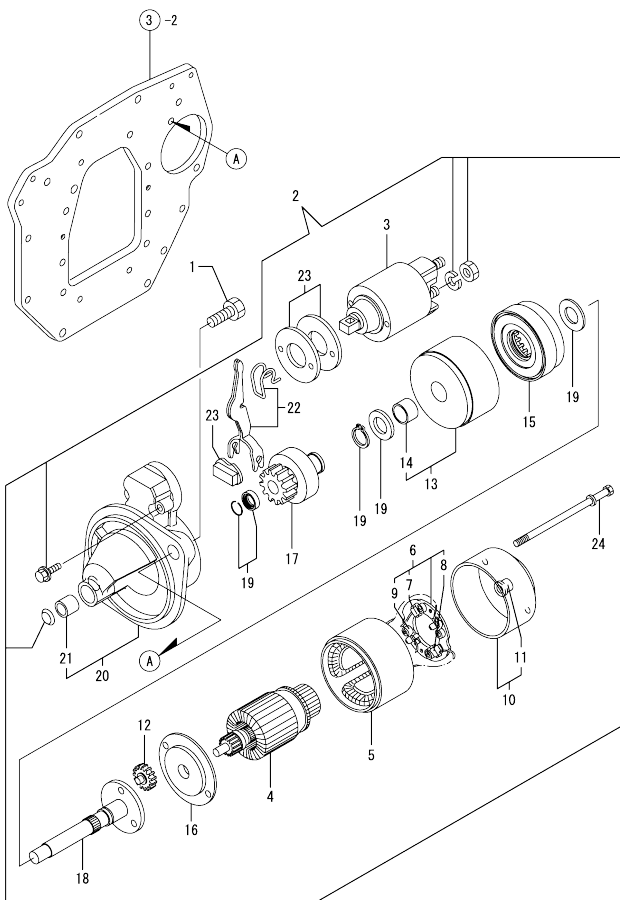
No.	Lev.	Parts No.	Description	Q'ty						I	R
				(A)	(B)	(C)	(D)	(E)	(F)		
1	1	729004-53200	VALVE ASSY,INJECTION	3							
2	2	129004-53001	VALVE ASSY,INJECTION	3							
5	2	114250-53080	NUT, NOZZLE D16.95	3							
10	2	114250-53120	SPRING, NOZZLE	3							
11	2	114250-53130	SEAT, SPRING	3							
12	2	114250-53140	PLATE	3							
13	2	114250-53210	PIN	6							
14	2	114250-53400	SHIM SET	3							
26	1	129150-59120	RETAINER, PIPE	2							
29	2	129150-59131	BOLT, M4X14	4							
31	1	129004-59811	PIPE ASSY, INJECTION	1							
35	1	129004-59821	PIPE ASSY, INJECTION	1							
39	1	129004-59831	PIPE ASSY, INJECTION	1							
44	1	119802-59550	PIPE ASSY, RETURN	1							
45	2	124722-59050	CLIP, HOSE 9	2							
46	2	119802-59560	PIPE, FUEL RETURN	1							
47	1	129486-59551	PIPE ASSY, RETURN	2							
48	2	124722-59050	CLIP, HOSE 9	4							
50	1	119593-59581	CAP	1							
51	1	124060-77680	CLIP, HOSE 10	1							

Fig.16. FUEL LINE



No.	Lev.	Parts No.	Description	Q'ty					
				(A)	(B)	(C)	(D)	(E)	(F)
1	1	129004-55612	BRACKET, FILTER	1					
2	1	119802-55810	FILTER,FO	1					
3	1	26106-080302	BOLT, M8X 30 PLATED	2					
4	1	119225-52102	PUMP ASSY, FUEL FEED	1					
5	1	129044-59010	PIPE, D13/7.5X220	1					
6	2	124766-59050	CLIP, HOSE 12	2					
7	2	129044-59100	TUBE, CORRUGATED	1					
8	2	129044-59510	PIPE, FUEL 220	1					
9	1	129950-59311	PIPE, FUEL	1					
10	2	124766-59050	CLIP, HOSE 12	2					
11	2	129961-59110	TUBE, CORRUGATED	1					
12	2	105025-59580	PIPE, FUEL	1					
13	1	121750-59890	BAND, 140	1					
14	1	129242-55700	SEPARATOR ASSY	1					
15	2	129242-55720	CUP	1					
16	2	129242-55730	ELEMENT	1					
17	2	129242-55740	PLUG, DRAIN	1					
18	2	129242-55750	VALVE, AIR VENT	1					
19	2	129242-55760	GASKET	1					
20	2	129242-55770	FLOAT	1					
21	2	24311-000160	O-RING, 1AP16.0	1					
22	2	24321-000750	O-RING, 1AG75.0	1					

Fig.17. STARTING MOTOR

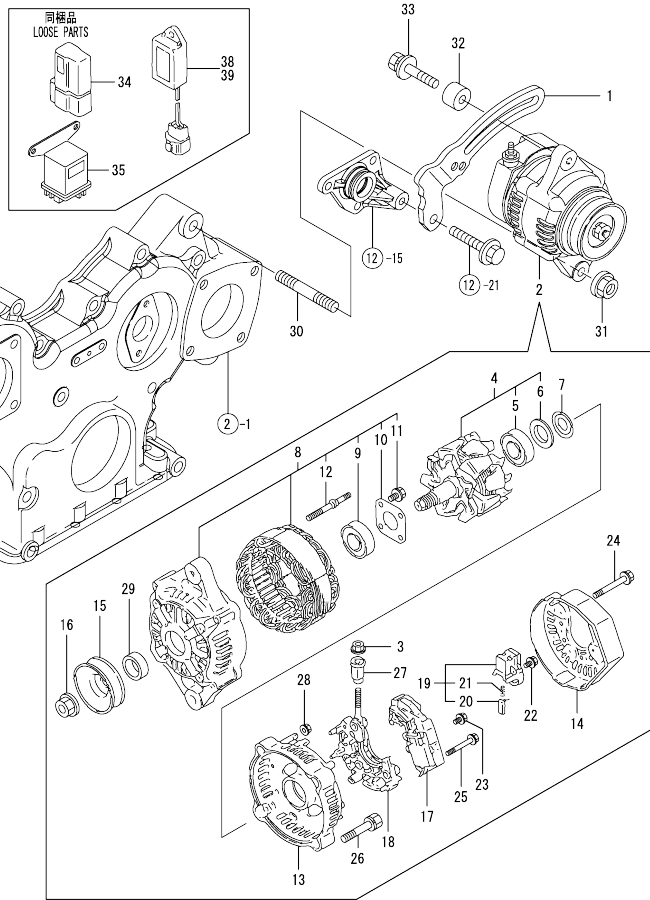


(A)=3TNV84T-BKSA3
(B)=
(C)=

(D)=
(E)=
(F)=

No.	Lev.	Parts No.	Description	Q'ty					
				(A)	(B)	(C)	(D)	(E)	(F)
1	1	26116-120202	BOLT, M12X 20 PLATED	2					
2	1	129242-77010	STARTER	1					
3	2	129698-77020	SWITCH ASSY	1					
4	2	129242-77100	ARMATURE ASSY	1					
5	2	129242-77110	YOKE ASSY	1					
6	2	129242-77120	HOLDER ASSY, BRUSH	1					
7	3	129242-77130	BRUSH	2					
8	3	129242-77140	BRUSH SET	1					
9	3	129242-77150	SPRING	4					
10	2	129242-77160	COVER ASSY	1					
11	3	129242-77170	METAL	1					
12	2	118400-77170	GEAR	3					
13	2	129242-77180	BRACKET	1					
14	3	129698-77190	BRACKET	1					
15	2	129698-77200	GEAR, INTERNAL	1					
16	2	129242-77210	BRACKET	1					
17	2	129698-77220	PINION ASSY	1					
18	2	129698-77230	SHAFT	1					
19	2	129698-77250	WASHER SET	1					
20	2	129242-77260	CASE ASSY	1					
21	3	X2114535200	METAL, STARTER	1					
22	2	129242-77270	LEVER SET	1					
23	2	129242-77280	COVER ASSY, DUST	1					
24	2	124195-77770	BOLT, THROUGH	2					

Fig.18. GENERATOR

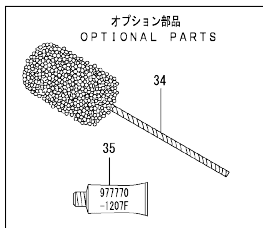
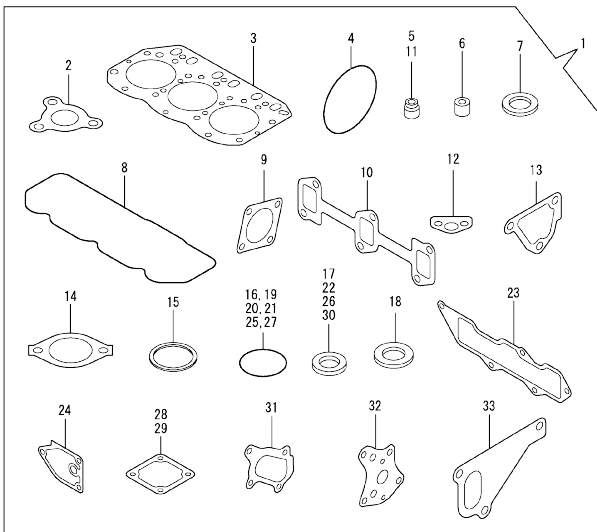


No.	Lev.	Parts No.	Description	Qty						I	R
				(A)	(B)	(C)	(D)	(E)	(F)		
1	1	129064-77330	ADJUSTER	1							
2	1	129423-77200	GENERATOR, 12V-40A	1							
3	2	X9490561001	NUT	1							
4	2	119620-77380	ROTOR ASSY	1							
5	3	119620-79240	BEARING, BALL	1							
6	3	119620-79250	COVER	1							
7	2	119620-79360	WASHER, THRUST	1							
8	2	119620-77421	FRAME ASSY, DRIVE	1							
9	3	119620-79200	BEARING, BALL	1							
10	3	119620-79210	PLATE, RETAINER	1							
11	3	119620-79220	SCREW	4							
12	3	119620-79230	STUD	2							
13	2	119620-77440	FRAME ASSY	1							
14	2	129240-79300	COVER	1							
15	2	119620-77461	PULLEY	1							
16	2	119620-77471	NUT	1							
17	2	129423-77710	REGULATOR ASSY	1							
18	2	119620-79260	HOLDER	1							
19	2	119620-79270	HOLDER, BRUSH	1							
20	3	119620-77480	BRUSH ASSY	2							
21	3	119620-79280	SPRING	2							
22	2	119620-79290	SCREW	1							
23	2	119620-79300	SCREW	1							
24	2	119620-79310	BOLT	3							
25	2	119620-79320	SCREW	2							
26	2	119620-79330	BOLT	2							
27	2	119620-79340	BUSH, INSULATION	1							
28	2	119620-79350	NUT	2							
29	2	119620-77490	COLLAR	1							
30	1	129795-01900	STUD	1							
31	1	26306-100002	NUT, M10	1							
32	1	129067-77340	SPACER	1							
33	1	129972-77341	BOLT, ADJUSTER L=50	1							
34	1	119643-66900	DIODE	1							
35	1	119650-77910	RELAY ASSY, GLOW	1							
36	1	128300-77920	TIMER	1							
39	1	129211-77920	TIMER	1							

N:Old $\frac{100}{100}$ New, Q:Old $\frac{100}{100}$ New, R:Old $\frac{100}{100}$ New, S:Old $\frac{100}{100}$ New, W:Add, Z:Discontinued, F:Interchangeable by set, K:Qty Change
 Copyright (C) YANMAR CO., LTD. All Rights Reserved.

Fig.19. GASKET SET

(A)=3TNV84T-BKSA3
(D)=
(E)=
(F)=



No.	Lev.	Parts No.	Description	Q'ty						I	R	
				(A)	(B)	(C)	(D)	(E)	(F)			
1	1	729246-92890	GASKET SET	1							1	
2	2	129535-18100	GASKET	1								
3	2	129002-01331	GASKET, HEAD	1								
4	2	121850-51960	O-RING	1								
5	2	124460-11340	SEAL, VALVE STEM	3								
6	2	119802-11870	PROTECTOR, NOZZLE	3								
7	2	119625-11880	SEAT, NOZZLE	3								
8	2	129004-11310	GASKET, BONNET	1								
9	2	124240-01883	GASKET	1								
10	2	129150-13110	GASKET	1								
11	2	121400-11340	SEAL, VALVE STEM	3								
12	2	129150-35042	GASKET	1								
13	2	124395-49840	GASKET	1								
14	2	129795-49551	GASKET	1								
15	2	129150-49811	GASKET, THERMOSTAT	1								
16	2	24316-000160	O-RING, 4DP16.0	1								
17	2	22190-080002	WASHER, SEAL 6	6								
18	2	23414-080000	GASKET, 8X1.0	3								
19	2	24311-000120	O-RING, 1AP12.0	3								
20	2	24311-000320	O-RING, 1AP32.0	2								
21	2	24341-000240	O-RING, 1AS24.0	1								
22	2	22190-220002	WASHER, SEAL 22	1								
23	2	129001-12110	GASKET, MANIFOLD	1								
24	2	129150-35111	GASKET	1								
25	2	119609-32040	O-RING, P16	4								
26	2	22190-100002	WASHER, SEAL 10	2								
27	2	129486-42140	O-RING, G30	1								
28	2	129150-77511	GASKET	1								
29	2	129100-77510	GASKET	1								
30	2	124465-44950	GASKET, 16	2								
31	2	129403-18091	GASKET	1								
32	2	129150-32020	GASKET, PUMP	1								
33	2	129486-42021	GASKET, WATER PUMP	1								
34	1	129400-92420	HONE	1								1
35	1	977770-1207F	GASKET, LIQUID	1								1

Remarks
(1) OPTIONAL PARTS.

N:Old $\frac{100}{100}$ New, Q:Old $\frac{100}{100}$ New, R:Old $\frac{100}{100}$ New, S:Old $\frac{100}{100}$ New, W:Add, Z:Discontinued, F:Interchangeable by set, K:Qty Change
Copyright (C) YANMAR CO., LTD. All Rights Reserved.

Parts No. Index

Parts No.	Fig. No.	Ref. No.
105010-39140	11	1
105025-59580	16	12
114250-39450	10	41
114250-53080	15	5
114250-53120	15	10
114250-53130	15	11
114250-53140	15	12
114250-53210	15	13
114250-53400	15	14
118400-77170	17	12
119131-18320	6	4
119225-52102	16	4
119593-59581	15	50
119609-32040	2	10
	19	25
119620-77380	18	4
119620-77421	18	8
119620-77440	18	13
119620-77461	18	15
119620-77471	18	16
119620-77480	18	20
119620-77490	18	29
119620-79200	18	9
119620-79210	18	10
119620-79220	18	11
119620-79230	18	12
119620-79240	18	5
119620-79250	18	6
119620-79260	18	18
119620-79270	18	19
119620-79280	18	21
119620-79290	18	22
119620-79300	18	23
119620-79310	18	24
119620-79320	18	25
119620-79330	18	26
119620-79340	18	27
119620-79350	18	28
119620-79360	18	7
119625-11880	4	35
	19	7
119640-01640	3	7
119643-66900	18	34
119650-77910	18	35
119653-77950	14	98
119660-61901	14	60
119802-01561	2	6
119802-03110	4	46
119802-03121	4	47
119802-03130	4	48

Parts No.	Fig. No.	Ref. No.
119802-03141	4	49
119802-11260	4	6
119802-11270	4	7
119802-11280	4	8
119802-11870	4	34
	19	6
119802-25071	7	13
119802-25101	7	10
119802-25901	7	16
119802-35110	10	25
119802-49113	12	10
119802-49730	12	39
119802-51090	13	80
119802-51250	13	131
119802-51560	13	52
119802-51590	13	58
119802-51600	13	59
119802-51680	13	63
119802-51690	13	64
119802-55810	16	2
119802-59550	15	44
119802-59560	15	46
119803-21200	9	4
119803-25050	7	9
119807-61420	14	22
119865-21600	9	14
119865-42290	12	24
119934-01800	2	4
119934-59910	13	128
120130-11860	4	32
120270-54410	4	37
121023-01551	2	25
121111-21501	9	11
121250-44901	12	34
121267-44741	12	25
121400-11340	4	28
	19	11
121450-42450	12	33
121520-34810	10	17
121550-23200	9	28
121750-59890	16	13
121850-21680	9	10
121850-42410	12	8
121850-51960	2	12
	19	4
123900-13630	6	3
124060-01050	1	5
124060-77680	15	51
124160-01751	2	7
	4	42

Parts No.	Fig. No.	Ref. No.
124160-01910	1	7
		8
124160-11360	4	56
124160-39140	11	2
124195-77770	17	24
124240-01871	2	8
		22
124240-01883	2	23
	19	9
124395-49840	12	17
	19	13
124460-11340	4	29
	19	5
124465-44950	12	35
		36
	19	30
124722-59050	12	40
		43
	15	45
		48
124766-59050	16	6
	10	
128300-77920	18	38
129001-01250	1	6
129001-02931	1	25
129001-12110	5	4
	19	23
129001-91841	2	13
129002-01331	1	32
	19	3
129004-03010	4	44
129004-11241	4	3
129004-11251	4	4
129004-11310	4	51
	19	8
129004-11650	4	10
129004-11900	4	36
129004-21650	9	8
129004-34802	10	16
129004-42001	12	1
129004-42040	12	15
129004-49610	12	37
129004-49620	12	41
129004-49711	12	38
129004-49721	12	42
129004-53001	15	2
129004-55612	16	1
129004-59811	15	31
129004-59821	15	35
129004-59831	15	39

Parts No.	Fig. No.	Ref. No.
129005-11100	4	25
129005-59830	11	4
129006-12100	5	2
129006-35100	10	24
129006-39450	11	3
129006-44480	10	29
129006-49040	10	34
129007-22080	9	15
129007-22500	9	17
129007-22900	9	33
129007-22950	9	35
129008-21000	9	1
129008-51300	13	38
129009-01540	2	5
129009-03050	5	14
129009-03080	5	15
129009-03090	5	16
129009-11340	4	52
129009-11350	4	43
129009-11710	4	15
129009-12060	5	1
129009-12070	5	18
129044-39610	11	12
129044-59010	16	5
129044-59100	16	7
129044-59510	16	8
129064-77330	18	1
129067-77340	18	32
129100-01580	3	1
		13
	9	2
129100-01640	3	14
129100-01730	3	5
129100-01760	3	6
129100-11112	4	26
129100-23910	9	27
129100-35301	10	19
129100-42051	12	3
129100-42121	12	4
129100-77501	5	9
129100-77510	5	10
	19	29
129103-49301	10	39
129122-44480	2	11
129129-01600	3	2
129129-14580	7	3
129139-13100	6	1
129139-39610	11	13
129150-01200	1	31
129150-02020	1	10

Parts No. Index

Parts No.	Fig. No.	Ref. No.
129150-02450	7	4
129150-02871	1	33
129150-02931	1	28
129150-02941	1	36
129150-03070	4	45
129150-11230	4	11
129150-11280	4	9
129150-11370	4	14
129150-11750	4	13
129150-11810	4	33
129150-13110	6	2
	19	10
129150-14101	7	6
129150-14200	7	1
129150-14400	7	2
129150-23601	9	29
129150-23611	9	31
129150-25301	7	15
129150-32020	10	14
	19	32
129150-35042	10	18
	19	12
129150-35111	10	27
	19	24
129150-35170	10	28
129150-49811	12	29
	19	15
129150-59120	15	26
129150-59131	15	29
129150-77511	5	11
	19	28
129155-49801	12	28
129155-51280	14	5
129155-61460	14	24
129165-77520	5	12
129202-22300	9	21
129211-77920	18	39
129240-79300	18	14
129242-55700	16	14
129242-55720	16	15
129242-55730	16	16
129242-55740	16	17
129242-55750	16	18
129242-55760	16	19
129242-55770	16	20
129242-77010	17	2
129242-77100	17	4
129242-77110	17	5
129242-77120	17	6
129242-77130	17	7

Parts No.	Fig. No.	Ref. No.
129242-77140	17	8
129242-77150	17	9
129242-77160	17	10
129242-77170	17	11
129242-77180	17	13
129242-77210	17	16
129242-77260	17	20
129242-77270	17	22
129242-77280	17	23
129255-61410	14	21
129266-18010	8	1
129350-49530	12	30
129400-92420	19	34
129403-18091	8	5
	19	31
129403-42380	12	23
129410-03990	5	17
129417-33110	10	23
129417-35150	10	26
129418-18320	8	3
129418-32000	10	1
129423-77200	18	2
129423-77710	18	17
129430-26070	7	20
129486-01670	3	17
129486-42021	12	14
	19	33
129486-42140	12	16
	19	27
129486-59551	15	47
129508-33010	10	21
129508-33050	10	22
129508-49030	10	30
129535-18100	8	2
	19	2
129553-39650	10	48
129642-49180	10	36
129698-77020	17	3
129698-77190	17	14
129698-77200	17	15
129698-77220	17	17
129698-77230	17	18
129698-77250	17	19
129792-39410	10	42
129795-01780	3	16
129795-01900	18	30
129795-01950	2	9
129795-02412	1	13
129795-11120	4	24
129795-11180	4	27

Parts No.	Fig. No.	Ref. No.
129795-21661	9	9
129795-49551	12	31
	19	14
129900-07900	4	1
129916-49740	12	11
129928-51340	13	47
129950-59311	16	9
129961-59110	16	11
129972-77341	18	33
158552-51151	7	17
158552-51570	13	53
		54
158552-51580	13	57
158552-51600	13	67
158552-51670	13	4
158552-51781	13	101
158552-52100	13	107
158552-52310	13	109
158552-52400	13	117
158552-52500	13	108
158552-61441	14	23
158552-61900	14	83
158553-51551	13	50
158553-51630	13	68
158553-51640	13	70
158553-51660	13	72
158553-51670	13	62
158553-51680	13	73
158553-51770	13	121
158553-61050	14	3
158557-51570	13	55
158563-51281	13	36
		37
158563-51330	13	46
158563-61060	14	1
158600-51270	13	35
158601-51550	13	51
158601-51570	13	56
158601-51650	13	71
158601-51770	13	100
158601-51790	13	102
171008-03990	10	31
171051-01921	1	9
171056-49120	10	50
171340-21580	9	12
171353-44760	12	26
22190-080002	2	14
		15
	11	5
		7

Parts No.	Fig. No.	Ref. No.
22190-080002	19	17
22190-100002	11	8
	19	26
22190-120000	14	64
22190-120002	13	103
		110
		129
22190-180002	13	104
		111
22190-220002	3	9
	19	22
22217-140000	7	18
	13	112
22252-000260	9	22
22312-050140	13	113
22351-030010	9	7
	10	49
22351-050010	13	114
22351-060012	4	38
22512-070140	7	7
	9	5
22857-500100	4	53
		54
		55
23000-022000	11	14
23000-041000	5	5
23000-054000	5	19
23000-060000	5	6
23080-015000	10	33
		37
23080-018000	10	38
23414-080000	11	9
	12	18
	19	18
23857-030000	11	6
23876-010000	12	12
23876-020000	12	13
23887-120002	13	105
	14	66
24311-000070	13	116
24311-000120	4	57
	19	19
24311-000160	16	21
24311-000320	2	16
	4	58
	19	20
24316-000160	11	15
	19	16
24321-000750	16	22
24321-000800	7	21

Parts No. Index

Parts No.	Fig. No.	Ref. No.
24341-000240	2	26
	19	21
24341-000360	14	84
24356-010180	13	118
24356-010200	13	65
		119
24372-000150	13	66
25152-003600	12	24 -1
26106-060102	13	120
	14	68
26106-060142	14	85
		86
26106-060162	2	27
	11	16
26106-060202	14	87
26106-060402	12	27
26106-080122	11	10
		17
	12	19
26106-080142	7	8
26106-080162	2	17
		18
		24
	3	10
	4	2
	12	20
	13	132
26106-080202	5	7
	10	40
	13	133
26106-080222	12	32
26106-080252	3	11
	4	39
	7	22
26106-080302	2	19
	16	3
26106-080352	3	18
	4	40
	10	20
26106-080402	5	13
	7	14
26106-080452	3	12
		12 -1
	12	21
26106-080502	3	19
	4	41
26106-080552	2	20
26106-080602	12	22
26106-080802	5	8
26106-100302	7	23

Parts No.	Fig. No.	Ref. No.
26116-120202	17	1
26206-100202	3	3
26206-100252	3	4
26306-080002	2	21
	8	4
26306-100002	18	31
26366-060002	11	11
26450-060252	10	15
26450-080452	13	125
26756-060002	14	69
26776-140002	7	19
	13	126
27241-120000	1	14
27241-300000	1	15
27241-400000	4	23
27310-080001	4	30
729004-53200	15	1
729006-01560	1	1
729085-51300	13	1
729246-92890	19	1
729402-23100	9	23
729604-01500	2	1
977770-1207F	19	35
X2114535200	17	21
X9490561001	18	3

Parts No.	Fig. No.	Ref. No.
-----------	----------	----------

Parts No.	Fig. No.	Ref. No.
-----------	----------	----------