

0CW10-M49700EN

P R E F A C E

1. This parts catalog is the 1st edition of 3TNV84T-BGMG for MASE.

Pub.No. : 0CW10-G49700

Published : February, 2009

2. Model name

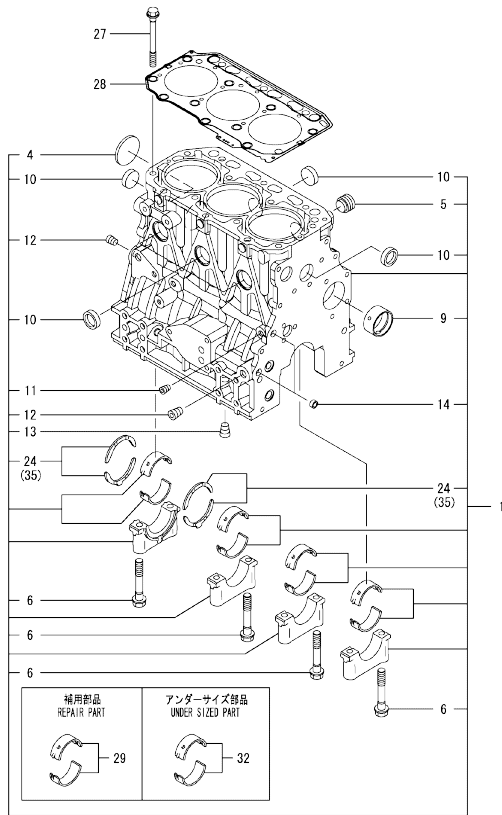
Engine model	Vehicle	Vehicle made by
3TNV84T-BGMG	GENERATOR	MASE

Contents

0CW10-M49700

Fig. No.	Fig. Name	Fig. No.	Fig. Name
3	TNV84T-BGMG		
1.	CYLINDER BLOCK		
2.	GEAR HOUSING		
3.	MOUNTING FLANGE & OIL SUMP		
4.	CYLINDER HEAD & BONNET		
5.	SUCTION MANIFOLD		
6.	CAMSHAFT & DRIVING GEAR		
7.	TURBINE		
8.	CRANKSHAFT & PISTON		
9.	LUB.OIL SYSTEM		
10.	LUB.OIL LINE		
11.	COOLING FRESH WATER SYSTEM		
12.	COOLING SEA WATER SYSTEM		
13.	COOLING FRESH WATER COOLER		
14.	FUEL INJECTION PUMP		
15.	GOVERNOR		
16.	FUEL INJECTION VALVE		
17.	FUEL LINE		
18.	STARTING MOTOR		
19.	GENERATOR		
20.	GASKET SET		

Fig.1. CYLINDER BLOCK



(A)=3TNV84T-BGMG
(B)=
(C)=

(D)=
(E)=
(F)=

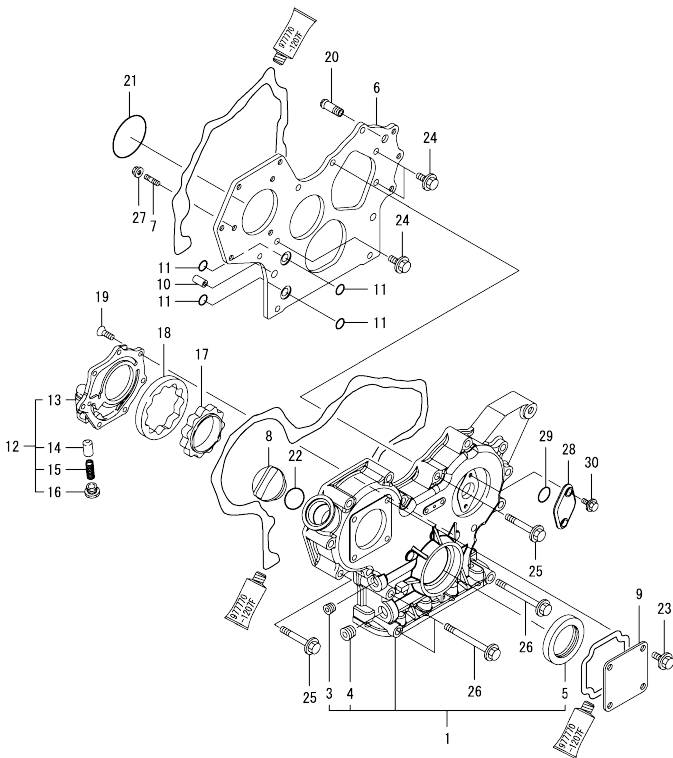
No.	Lev.	Parts No.	Description	Q'ty						I	R
				(A)	(B)	(C)	(D)	(E)	(F)		
1	1	729006-01560	BLOCK ASSY, CYLINDER	1							
4	2	129001-01250	PLUG, 50	1							
5	2	171051-01921	PLUG, NPTF1	1							
6	2	129150-02020	BOLT, METAL CAP	8							
9	2	129795-02412	BUSH, CAMSHAFT	1							
10	2	27241-300000	PLUG 30	6							
11	2	124060-01050	PLUG, PT1/8	1							
12	2	124160-01910	PLUG, PT1/4	2							
13	2	124160-01910	PLUG, PT1/4	1							
14	2	27241-120000	PLUG, 12	2							
24	2	129150-02931	BEARING, THRUST	2							
27	1	129150-01200	BOLT, HEAD	14							
28	1	129002-01331	GASKET, HEAD	1							
29	1	129001-02931	BEARING, MAIN	4							1
32	1	129150-02871	BEARING, 0.25 US	4							2
35	1	129150-02941	BEARING, THRUST 0.25	1							3

Remarks

- (1) REPAIR PART.
- (2) UNDER-SIZED(U.S=0.25)PART.
- (3) OVER-SIZED(O.S=0.25)PART.

0CW10-M49700 3TNV84T-BGMG
 Fig.2. GEAR HOUSING

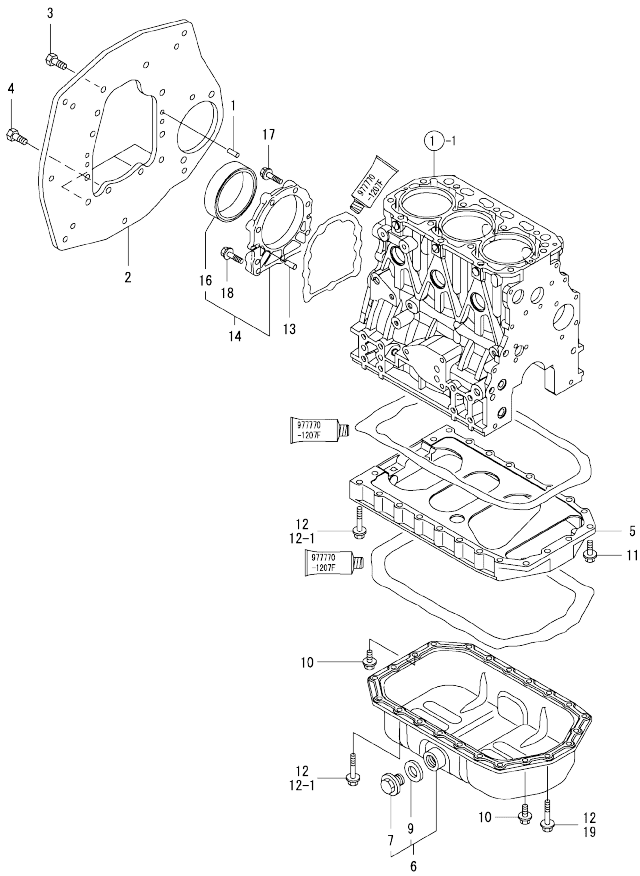
0CW10-M49700 Fig.2



No.	Lev.	Parts No.	Description	Q'ty						I	R
				(A)	(B)	(C)	(D)	(E)	(F)		
1	1	719802-01500	CASE ASSY, GEAR	1							
1-1	1	729046-01500	CASE ASSY, GEAR	1							N
(A=2016.10)											
3	2	23876-030000	PLUG, R03	1							
4	2	23876-040000	PLUG, R04	1							
5	2	119934-01800	SEAL, OIL	1							
5-1	2	129795-01800	SEAL, OIL	1							N
(A=2016.10)											
6	1	129006-01520	FLANGE, GEAR CASE	1							
7	1	119802-01561	STUD, M8X25	3							
8	1	124160-01751	CAP, FILLER	1							
9	1	124240-01871	COVER, HYDRAULIC PUMP	1							
10	1	129795-01950	PIPE, KNOCK L=18	2							
11	1	119609-32040	O-RING, P16	4							
12	1	119802-32100	COVER ASSY, PUMP	1							
13	2	119802-32070	COVER, OIL PUMP	1							
14	2	129900-32130	VALVE, RELIEF	1							
15	2	129418-32320	SPRING	1							
16	2	129001-32330	PLUG	1							
17	1	119802-32111	ROTOR, INNER	1							
18	1	119802-32120	ROTOR, OUTER	1							
19	1	119802-32130	SCREW, M6X16	7							
20	1	129122-44480	JOINT, PT1/4	1							
21	1	121850-51960	O-RING, FUEL PUMP	1							
22	1	24311-000320	O-RING, 1AP32.0	1							
23	1	26106-080162	BOLT, M8X 16 PLATED	4							
24	1	26106-080162	BOLT, M8X 16 PLATED	3							
25	1	26106-080552	BOLT, M8X 55 PLATED	12							
26	1	26106-080852	BOLT, M8X 85 PLATED	3							
27	1	26306-080002	NUT, M8	3							
28	1	121023-01551	COVER, TACHOMETER	1							
29	1	24341-000240	O-RING, 1AS24.0	1							
30	1	26106-060162	BOLT, M6X 16 PLATED	2							

N:Old $\frac{100}{100}$ New, Q:Old $\frac{100}{100}$ New, R:Old $\frac{100}{100}$ New, S:Old $\frac{100}{100}$ New, W:Add, Z:Discontinued, F:Interchangeable by set, K:Qty Change
 Copyright (C) YANMAR CO., LTD. All Rights Reserved.

Fig.3. MOUNTING FLANGE & OIL SUMP

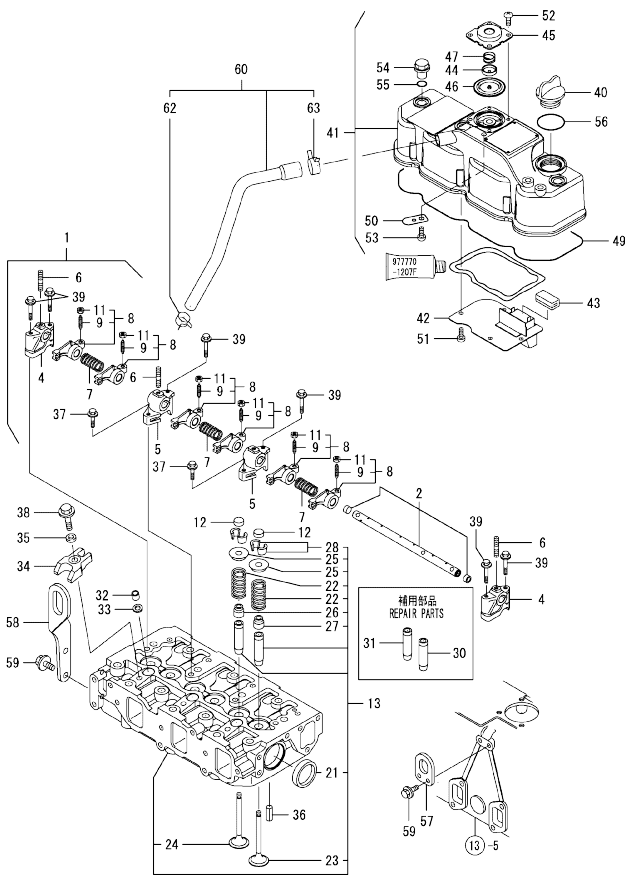


(A)=3TNV84T-BGMG
(B)=
(C)=

(D)=
(E)=
(F)=

No.	Lev.	Parts No.	Description	Q'ty						I	R
				(A)	(B)	(C)	(D)	(E)	(F)		
1	1	129100-01580	PIN, M8X16	2							
2	1	129176-01601	FLANGE, MOUNTING	1							
3	1	26206-100202	BOLT, M10X 20 PLATED	6							
4	1	26206-100252	BOLT, M10X 25 PLATED	4							
5	1	129100-01730	SPACER, OIL SUMP	1							
6	1	129175-01770	SUMP ASSY, OIL	1							
7	2	119640-01640	PLUG, DRAIN M22	1							
9	2	22190-220002	WASHER, SEAL 22	1							
10	1	26106-080162	BOLT, M8X 16 PLATED	4							
11	1	26106-080252	BOLT, M8X 25 PLATED	2							
12	1	26106-080452	BOLT, M8X 45 PLATED	20							
12-1	1	26106-080452	BOLT, M8X 45 PLATED	16							K
(A=FROM 1ST)											
13	1	129100-01580	PIN, M8X16	2							
14	1	129100-01640	CASE ASSY, OIL SEAL	1							
16	2	129795-01780	SEAL, OIL	1							
17	1	129486-01670	BOLT, M8X30	6							
18	1	26106-080352	BOLT, M8X 35 PLATED	3							
19	1	26106-080502	BOLT, M8X 50 PLATED	4							W
(A=FROM 1ST)											

Fig.4. CYLINDER HEAD & BONNET



(A)=3TNV84T-BGMG
(D)=
(E)=
(F)=

No.	Lev.	Parts No.	Description	Q'ty						I	R
				(A)	(B)	(C)	(D)	(E)	(F)		
1	1	129004-11241	SHAFT ASSY, ROCKER	1							
2	2	129004-11251	SHAFT, ROCKER ARM	1							
4	2	119802-11260	SUPPORT, ROCKER ARM	2							
5	2	119802-11270	SUPPORT, ROCKER ARM	2							
6	2	119802-11280	STUD	3							
7	2	129150-11280	SPRING	3							
8	2	129004-11650	ARM, ROCKER	6							
9	3	129150-11230	SCREW, VALVE ADJUST	6							
11	3	129150-11750	NUT, M8	6							
12	1	129150-11370	CAP, VALVE	6							
13	1	129009-11710	HEAD ASSY, CYLINDER	1							
21	2	27241-400000	PLUG, 40	2							
22	2	129795-11120	SPRING, VALVE	6							
23	2	129004-11130	VALVE, INTAKE	3							
24	2	129100-11130	VALVE, EXHAUST	3							
25	2	129795-11180	RETAINER, SPRING	6							
26	2	121400-11340	SEAL, VALVE STEM	3							
27	2	124460-11340	SEAL, VALVE STEM	3							
28	2	27310-080001	COTTER, 8	6							
30	1	120130-11860	GUIDE, VALVE	3							1
31	1	129150-11810	GUIDE, VALVE	3							1
32	1	119802-11870	PROTECTOR, NOZZLE	3							
33	1	119625-11880	SEAT, NOZZLE	3							
34	1	129004-11900	RETAINER, NOZZLE	3							
35	1	120270-54410	WASHER, INJECTOR	3							
36	1	22351-060012	PIN, SPRING 6.0X12	2							
37	1	26106-080252	BOLT, M8X 25 PLATED	2							
38	1	26106-080352	BOLT, M8X 35 PLATED	3							
39	1	26106-080502	BOLT, M8X 50 PLATED	6							
40	1	124160-01751	COVER, FILLER	1							
41	1	129009-11350	BONNET ASSY, HEAD	1							
42	2	129004-03010	PLATE	1							
43	2	129150-03070	BAFFLE, BREATHER	1							
44	2	119802-03110	PLATE	1							
45	2	119802-03121	COVER, DIAPHRAGM	1							
46	2	119802-03130	DIAPHRAGM	1							
47	2	119802-03141	SPRING, DIAPHRAGM	1							
49	2	129004-11310	GASKET, BONNET	1							
50	2	129009-11340	SPRING	1							
51	2	22857-500100	SCREW, 5X10	4							
52	2	22857-500100	SCREW, 5X10	4							
53	2	22857-500100	SCREW, 5X10	1							
54	1	124160-11360	KNOB	3							
55	1	24311-000120	O-RING, 1AP12.0	3							
56	1	24311-000320	O-RING, 1AP32.0	1							
57	1	129470-07230	LIFTER	1							
58	1	129910-07900	LIFTER	1							
59	1	26106-080162	BOLT, M8X 16 PLATED	4							
60	1	129083-03010	PIPE ASSY, BREATHER	1							
62	2	129301-03660	CLAMP 16	1							
63	2	129410-03990	CLAMP 22	1							

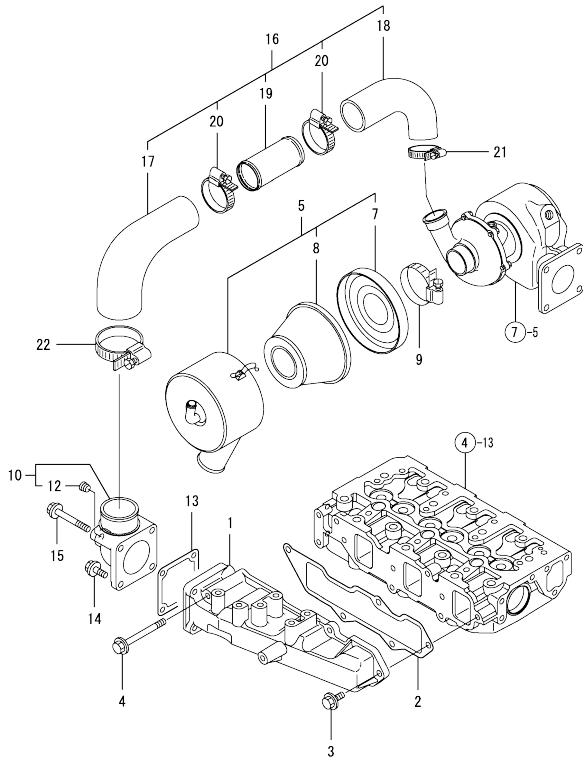
Remarks
(1) REPAIR PART.

N:Old $\frac{100}{100}$ New, Q:Old $\frac{100}{100}$ New, R:Old $\frac{100}{100}$ New, S:Old $\frac{100}{100}$ New, W:Add, Z:Discontinued, F:Interchangeable by set, K:Q'ty Change
Copyright (C) YANMAR CO., LTD. All Rights Reserved.

Fig.5. SUCTION MANIFOLD

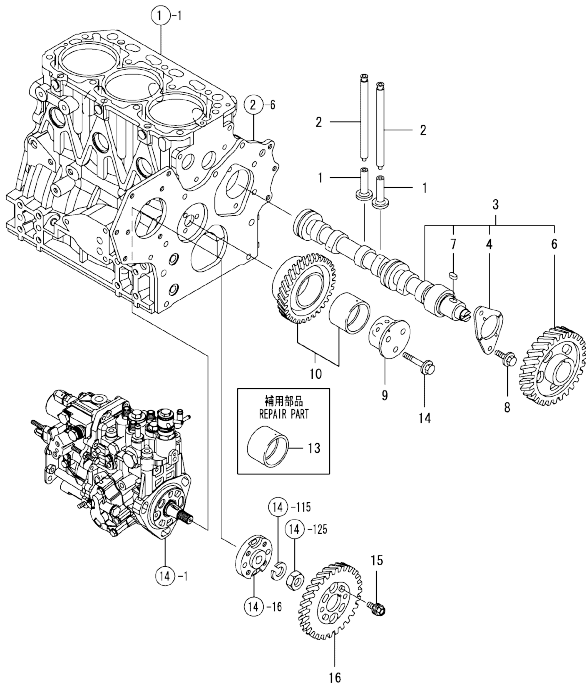
(A)=3TNV84T-BGMG
(B)=
(C)=

(D)=
(E)=
(F)=



No.	Lev.	Parts No.	Description	Q'ty					
				(A)	(B)	(C)	(D)	(E)	(F)
1	1	129006-12101	MANIFOLD, AIR INTAKE	1					
2	1	129001-12110	GASKET, MANIFOLD	1					
3	1	26106-080202	BOLT, M8X 20 PLATED	4					
4	1	26106-080802	BOLT, M8X 80 PLATED	1					
5	1	129477-12500	SILENCER ASSY	1					
7	2	129477-12530	PLATE	1					
8	2	124770-12540	ELEMENT	1					
9	1	23000-048000	CLAMP, 48	1					
10	1	129649-12210	JOINT ASSY	1					
12	2	23876-010000	PLUG, R01	1					
13	1	129150-77511	GASKET	1					
14	1	26106-080202	BOLT, M8X 20 PLATED	2					
15	1	26106-080652	BOLT, M8X 65 PLATED	2					
16	1	129046-12851	HOSE ASSY, INTAKE	1					
17	2	129649-12811	PIPE, AIR INTAKE	1					
18	2	129649-12821	PIPE, AIR INTAKE	1					
19	2	129649-12832	JOINT	1					
20	2	23000-054000	CLAMP, 54	2					
21	1	23000-048000	CLAMP, 48	1					
22	1	23000-060000	CLAMP, 60	1					

Fig.6. CAMSHAFT & DRIVING GEAR



(A)=3TNV84T-BGMG
(B)=
(C)=

(D)=
(E)=
(F)=

No.	Lev.	Parts No.	Description	Q'ty						I	R
				(A)	(B)	(C)	(D)	(E)	(F)		
1	1	129150-14200	TAPPET	6							
2	1	129150-14400	ROD, PUSH L=178	6							
3	1	129004-14580	CAMSHAFT ASSY	1							
4	2	129150-02450	BEARING, THRUST	1							
6	2	129150-14101	GEAR, CAMSHAFT	1							
7	2	22512-070140	KEY, 7X 14	1							
8	1	26106-080142	BOLT, M8X 14 PLATED	2							
9	1	119802-25051	SHAFT, IDLE	1							
10	1	119802-25101	GEAR ASSY, IDLE	1							
13	1	119802-25071	BUSH, IDLE GEAR	1							1
14	1	26106-080402	BOLT, M8X 40 PLATED	3							
15	1	129150-25301	BOLT	4							
16	1	119802-25901	GEAR, PUMP	1							

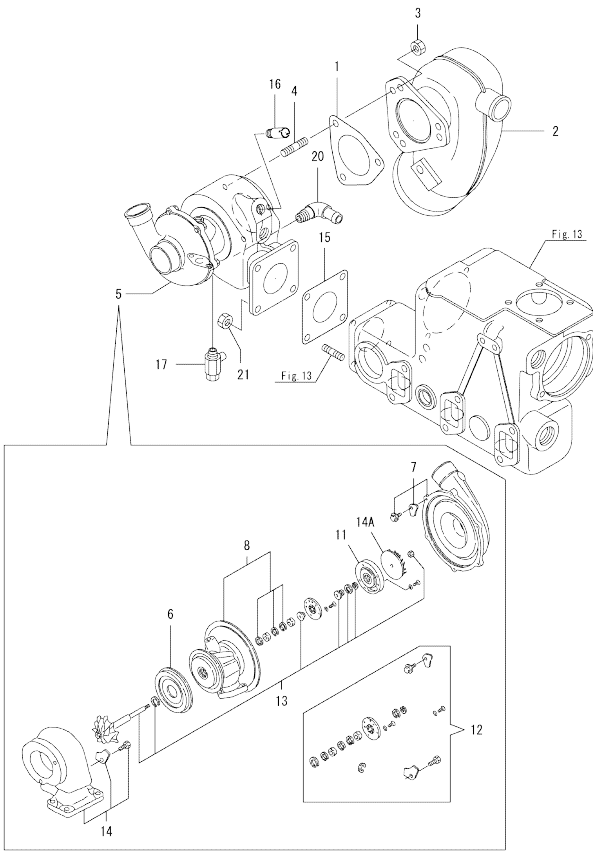
Remarks
(1) REPAIR PART.

N:Old $\frac{100}{100}$ New, Q:Old $\frac{100}{100}$ New, R:Old $\frac{100}{100}$ New, S:Old $\frac{100}{100}$ New, W:Add, Z:Discontinued, F:Interchangeable by set, K:Qty Change
Copyright (C) YANMAR CO., LTD. All Rights Reserved.

Fig.7. TURBINE

(A)=3TNV84T-BGMG
(B)=
(C)=

(D)=
(E)=
(F)=



No.	Lev.	Parts No.	Description	Q'ty						I	R
				(A)	(B)	(C)	(D)	(E)	(F)		
1	1	129472-13520	GASKET	1							
2	1	129579-13551	ELBOW	1							
3	1	26703-080002	NUT, M8	4							
4	1	128170-13600	STUD, M8X31	3							
5	1	129579-18010	TURBOCHARGER ASSY	1							
6	2	129403-18720	PROTECTOR, HEAT	1							
7	2	129579-18780	HOUSING ASSY	1							
8	2	129403-18800	HOUSING ASSY, BEARING	1							
11	2	129579-18820	PLATE ASSY, SEAL	1							
12	2	129579-18830	OVERHAUL KIT	1							1
13	2	129579-18850	ROTOR ASSY, TURBO	1							
14	2	129579-18860	HOUSING ASSY, TURBO	1							
14A	2	129403-18570	WHEEL	1							
15	1	129792-18091	GASKET	1							
16	1	104407-44480	JOINT	1							
17	1	129670-49290	COCK ASSY, R1/8	1							
20	1	171007-49400	JOINT	1							
21	1	26703-080002	NUT, M8	4							

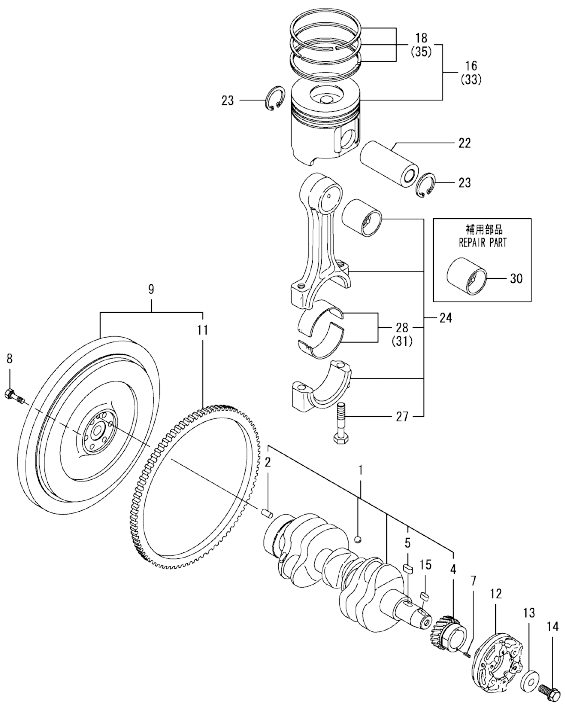
Remarks
(1)Overhaul kit.

N:Old $\frac{100}{100}$ New. Q:Old $\frac{100}{100}$ New. R:Old $\frac{100}{100}$ New. S:Old $\frac{100}{100}$ New. W:Add. Z:Discontinued. F:Interchangeable by set. K:Q'ty Change
Copyright (C) YANMAR CO., LTD. All Rights Reserved.

Fig.8. CRANKSHAFT & PISTON

(A)=3TNV84T-BGMG
(B)=
(C)=

(D)=
(E)=
(F)=



No.	Lev.	Parts No.	Description	Q'ty						I	R
				(A)	(B)	(C)	(D)	(E)	(F)		
1	1	129004-21002	CRANKSHAFT ASSY	1							
2	2	129100-01580	PIN, M8X16	1							
4	2	119802-21202	GEAR, CRANKSHAFT	1							
5	2	22512-070140	KEY, 7X 14	1							
7	1	22351-030010	PIN, SPRING 3.0X10	1							
8	1	121111-21501	BOLT, FLYWHEEL	6							
9	1	129189-21570	FLYWHEEL ASSY	1							
11	2	124550-21600	GEAR, RING	1							
12	1	129175-21650	V-PULLEY	1							
13	1	129795-21661	WASHER	1							
14	1	121850-21680	BOLT	1							
15	1	22512-070160	KEY, 7X 16	1							
16	1	129007-22080	PISTON ASSY	3							
18	2	129007-22500	RING SET, PISTON	3							
22	1	129202-22300	PIN, PISTON D26 L70	3							
23	1	22252-000260	RING, 26	6							
24	1	729402-23100	ROD ASSY, CONNECTING	3							
27	2	121550-23200	BOLT, CONNECTING ROD	6							
28	2	129150-23601	BEARING, CRANK PIN	3							
30	1	129100-23910	BEARING, PISTON PIN	3							1
31	1	129150-23611	BEARING, 0.25 US	3							2
33	1	129007-22900	PISTON ASSY, 0.25 OS	3							3
35	2	129007-22950	RING SET, 0.25 OS	3							3

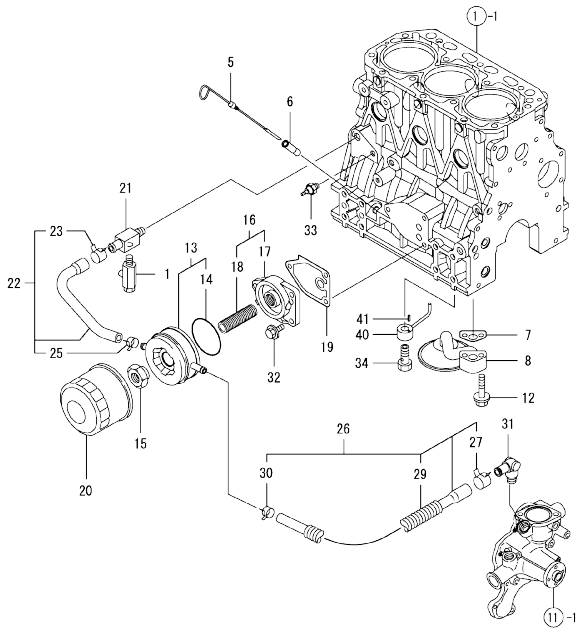
Remarks
(1) REPAIR PART.
(2) UNDER-SIZED(U.S=0.25)PART.
(3) OVER-SIZED(O.S=0.25)PART.

0CW10-M49700 3TNV84T-BGMG
 Fig.9. LUB.OIL SYSTEM

0CW10-M49700 Fig.9

(A)=3TNV84T-BGMG
 (B)=
 (C)=

(D)=
 (E)=
 (F)=

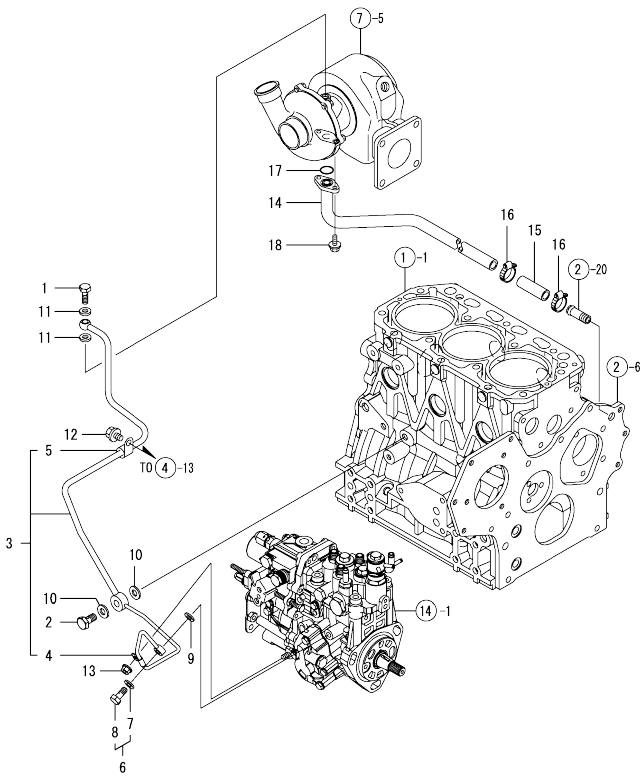


No.	Lev.	Parts No.	Description	Q'ty						I	R
				(A)	(B)	(C)	(D)	(E)	(F)		
1	1	119620-49290	COCK ASSY, 1/4	1							
5	1	171420-34800	DIPSTICK, OIL	1							
6	1	121520-34810	GUIDE, DIPSTICK	1							
7	1	129150-35042	GASKET	1							
8	1	129150-35091	PIPE ASSY, OIL INLET	1							
12	1	26106-080352	BOLT, M8X 35 PLATED	2							
13	1	129508-33010	COOLER ASSY, OIL	1							
14	2	129508-33050	O-RING	1							
15	1	129417-33110	NUT	1							
16	1	129006-35100	BRACKET ASSY, FILTER	1							
17	2	119802-35110	BRACKET, FILTER	1							
18	2	129417-35150	STUD, L=67	1							
19	1	129150-35111	GASKET	1							
20	1	129150-35153	FILTER 80X80L	1							1
21	1	129006-44480	JOINT	1							
22	1	129508-49030	PIPE ASSY, WATER	1							
23	2	171008-03990	CLIP, HOSE 18.5	1							
25	2	23080-015000	CLAMP, 15	1							
26	1	129006-49040	PIPE ASSY, WATER	1							
27	2	171008-03990	CLIP, HOSE 18.5	1							
29	2	129642-49180	TUBE, CORRUGATED	1							
30	2	23080-015000	CLAMP, 15	1							
31	1	129466-49300	ELBOW, PT3/8	1							
32	1	26106-080202	BOLT, M8X 20 PLATED	3							
33	1	114250-39450	SWITCH, 0.5KG	1							
34	1	129792-39410	VALVE ASSY, CHECK	3							
40	1	129553-39650	NOZZLE	3							
41	1	22351-030010	PIN, SPRING 3.0X10	3							

Remarks
 (1) REPAIR PART.

N:Old $\frac{100}{100}$ New. Q:Old $\frac{100}{100}$ New. R:Old $\frac{100}{100}$ New. S:Old $\frac{100}{100}$ New. W:Add. Z:Discontinued. F:Interchangeable by set. K:Qty Change
 Copyright (C) YANMAR CO., LTD. All Rights Reserved.

0CW10-M49700 3TNV84T-BGMG
 Fig.10. LUB.OIL LINE

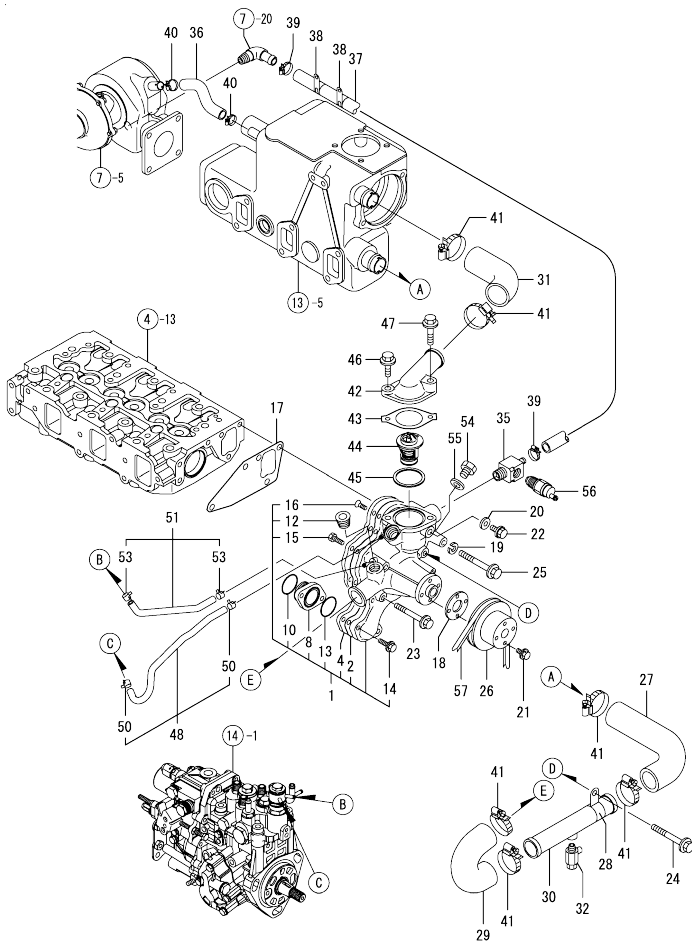


0CW10-M49700 Fig.10

No.	Lev.	Parts No.	Description	Q'ty						I	R
				(A)	(B)	(C)	(D)	(E)	(F)		
1	1	105010-39140	BOLT, PIPE JOINT	1							
2	1	124160-39140	BOLT, PIPE JOINT M10	1							
3	1	129046-39450	PIPE ASSY, OIL	1							
4	2	119802-39500	RETAINER, PIPE	1							
5	2	124223-39900	RETAINER	1							
6	1	129005-59830	BOLT ASSY, JOINT M8	1							
7	2	22190-080002	WASHER, SEAL 6	1							
8	2	23857-030000	BOLT, JOINT 3	1							
9	1	22190-080002	WASHER, SEAL 6	1							
10	1	22190-100002	WASHER, SEAL 10	2							
11	1	23414-080000	GASKET, 8X1.0	2							
12	1	26106-080122	BOLT, M8X 12 PLATED	1							
13	1	26366-060002	NUT, M6	1							
14	1	129176-39610	PIPE, OIL	1							
15	1	129403-39610	JOINT, RUBBER	1							
16	1	23000-022000	CLAMP, 22	2							
17	1	24316-000160	O-RING, 4DP16.0	1							
18	1	26106-060162	BOLT, M6X 16 PLATED	2							

N:Old $\frac{100}{100}$ New, Q:Old $\frac{100}{100}$ New, R:Old $\frac{100}{100}$ New, S:Old $\frac{100}{100}$ New, W:Add, Z:Discontinued, F:Interchangeable by set, K:Q'ty Change
 Copyright (C) YANMAR CO., LTD. All Rights Reserved.

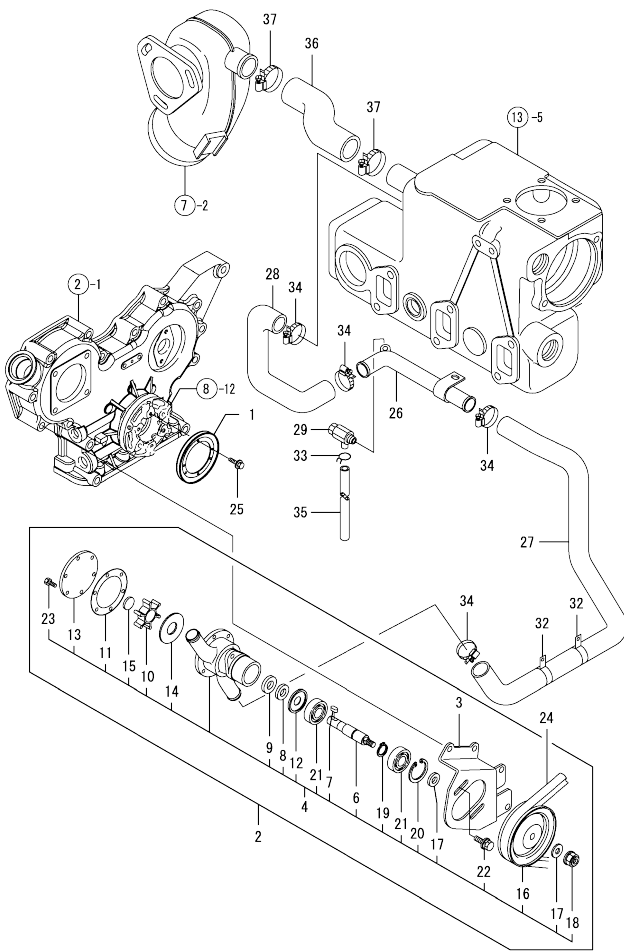
Fig.11. COOLING FRESH WATER SYSTEM



No.	Lev.	Parts No.	Description	Q'ty						I	R
				(A)	(B)	(C)	(D)	(E)	(F)		
1	1	129247-42000	PUMP ASSY, WATER	1							
2	2	129150-42059	GASKET	1							
4	2	129263-42120	PLATE	1							
8	2	129150-42301	FLANGE	1							
10	2	129054-42320	O-RING	1							
12	2	129916-49740	PLUG, R03	2							
13	2	24358-240310	O-RING, 524031	1							
14	2	26106-060202	BOLT, M6X 20 PLATED	2							
15	2	26116-060162	BOLT, M6X 16 PLATED	3							
16	2	26577-060162	SCREW, M6X16	3							
17	1	129486-42050	GASKET, WATER PUMP	1							
18	1	129156-44760	WASHER	1							
19	1	22217-080000	WASHER, SPRING 8	1							
20	1	23414-080000	GASKET, 8X1.0	1							
21	1	26106-060102	BOLT, M6X 10 PLATED	4							
22	1	26106-080122	BOLT, M8X 12 PLATED	1							
23	1	26106-080552	BOLT, M8X 55 PLATED	2							
24	1	26106-080552	BOLT, M8X 55 PLATED	1							
25	1	26106-080652	BOLT, M8X 65 PLATED	1							
26	1	129550-42350	V-PULLEY, D=120	1							
27	1	129470-49200	JOINT, RUBBER	1							
28	1	129470-49220	RETAINER	1							
29	1	129470-49240	JOINT, RUBBER 28	1							
30	1	129470-49250	PIPE, WATER	1							
31	1	129170-49260	JOINT	1							
32	1	129670-49290	COCK ASSY, R1/8	1							
35	1	129473-49310	JOINT, PT3/8-8	1							
36	1	129579-49320	HOSE, RUBBER	1							
37	1	129171-49561	PIPE, WATER	1							
38	1	194440-51620	CLAMP	2							
39	1	23000-013000	CLAMP, 13	2							
40	1	23000-025000	CLAMP, 25	2							
41	1	23000-041000	CLAMP, 41	6							
42	1	129470-49540	COVER, THERMOSTAT	1							
43	1	129795-49551	GASKET	1							
44	1	129457-49801	THERMOSTAT, 82	1							
45	1	129470-49810	GASKET, THERMOSTAT	1							
46	1	26106-080252	BOLT, M8X 25 PLATED	1							
47	1	26106-080352	BOLT, M8X 35 PLATED	1							
48	1	129263-49610	PIPE, WATER	1							
50	2	124722-59050	CLIP, HOSE 9	2							
51	1	129263-49620	PIPE, WATER	1							
53	2	124722-59050	CLIP, HOSE 9	2							
54	1	121450-42450	PLUG, M16	1							
55	1	124465-44950	GASKET, 16	1							
56	1	127610-91350	SWITCH, 95	1							
57	1	129940-42310	V-BELT, A44	1							

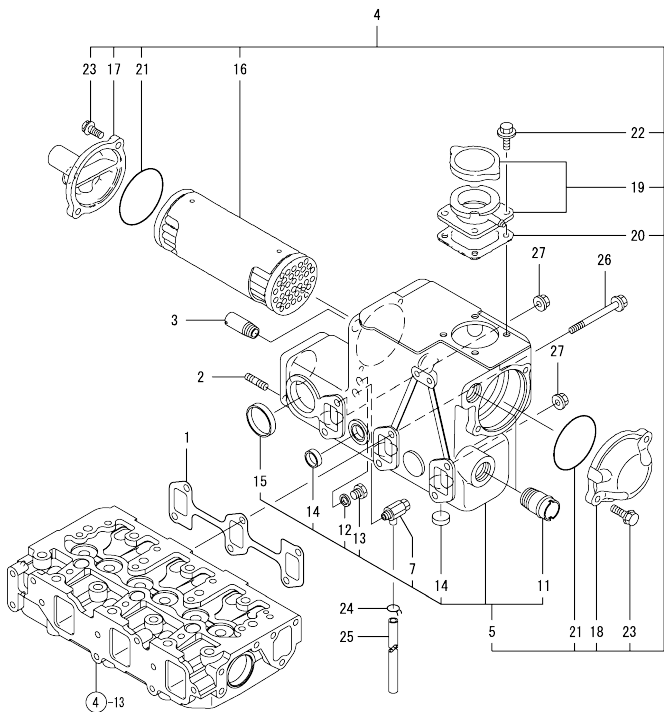
N:Old $\frac{100}{100}$ New, Q:Old $\frac{100}{100}$ New, R:Old $\frac{100}{100}$ New, S:Old $\frac{100}{100}$ New, W:Add, Z:Discontinued, F:Interchangeable by set, K:Q'ty Change
 Copyright (C) YANMAR CO., LTD. All Rights Reserved.

Fig.12. COOLING SEA WATER SYSTEM



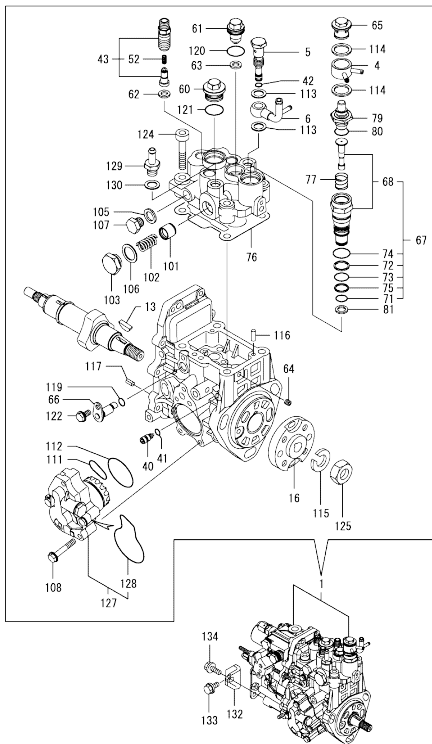
No.	Lev.	Parts No.	Description	Q'ty						I	R
				(A)	(B)	(C)	(D)	(E)	(F)		
1	1	104407-21600	V-PULLEY	1							
2	1	129647-42500	PUMP ASSY, WATER	1							
2-1	1	129283-42500	PUMP ASSY, WATER	1							R
(A=FROM 1ST)											
3	2	129647-42150	BRACKET, PUMP	1							
3-1	2	129283-42150	BRACKET, PUMP	1							R
(A=FROM 1ST)											
4	2	129579-42502	PUMP ASSY, WATER	1							
6	3	121575-42021	SHAFT, IMPELLER	1							
7	3	124223-42040	KEY	1							
8	3	124223-42070	PIECE	1							
9	3	124223-42080	SEAL, TC13X28X7	1							
10	3	124223-42092	IMPELLER	1							
11	3	124223-42110	GASKET, WATER PUMP	1							
12	3	121575-42120	COVER, BEARING	1							
13	3	121575-42150	COVER	1							
14	3	129579-42160	PLATE	1							
15	3	129579-42190	COVER	1							
16	3	124070-42400	V-PULLEY	1							
17	3	124070-42420	WASHER	2							
18	3	129579-42590	NUT, M8	1							
19	3	22242-000150	RING, 15	1							
20	3	22252-000350	RING, 35	1							
21	3	24107-062024	BEARING, BALL 6202ZZ	2							
22	3	26014-080162	BOLT, M8X 16	2							
23	3	26113-040088	BOLT, M4X 8	6							
24	1	104214-42780	V-BELT, HM30	1							
25	1	26106-060082	BOLT, M6X 8 PLATED	4							
26	1	129080-49010	PIPE, WATER	1							
27	1	171487-49010	PIPE, WATER	1							
28	1	129475-49020	PIPE, WATER	1							
29	1	129670-49290	COCK ASSY, R1/8	1							
32	1	129579-49460	RETAINER, D32	2							
33	1	124460-77680	RETAINER	1							
34	1	23000-035000	CLAMP, 35	4							
35	1	23061-070300	PIPE, 7X 300	1							
36	1	129472-49040	PIPE, WATER	1							
37	1	23000-035000	CLAMP, 35	2							

Fig.13. COOLING FRESH WATER COOLER



No.	Lev.	Parts No.	Description	Q'ty						I	R
				(A)	(B)	(C)	(D)	(E)	(F)		
1	1	129150-13110	GASKET	1							
2	1	128170-13600	STUD, M8X31	4							
3	1	104407-44480	JOINT	1							
4	1	129176-44900	COOLER ASSY, WATER	1							
5	2	129176-44000	COOLER ASSY, WATER	1							
7	3	119620-49290	COCK ASSY, 1/4	1							
11	3	124160-49480	JOINT, PIPE	2							
12	3	23414-170000	GASKET, 17X1.0	1							
13	3	23894-030002	PLUG, G3/8	1							
14	3	27241-280000	PLUG, 28	7							
15	3	27241-400000	PLUG, 40	1							
16	2	129170-44110	CORE ASSY, COOLER	1							
17	2	129470-44440	COVER, A	1							
18	2	129470-44450	COVER, B	1							
19	2	129171-44600	FILLER ASSY	1							
20	2	120445-44640	GASKET	1							
21	2	24321-000750	O-RING, 1AG75.0	2							
22	2	26106-080162	BOLT, M8X 16 PLATED	4							
23	2	26106-080252	BOLT, M8X 25 PLATED	4							
24	1	124460-77680	RETAINER	1							
25	1	23061-070300	PIPE, 7X 300	1							
26	1	26106-081002	BOLT, M8X100 PLATED	4							
27	1	26306-080002	NUT, M8	2							

Fig.14. FUEL INJECTION PUMP



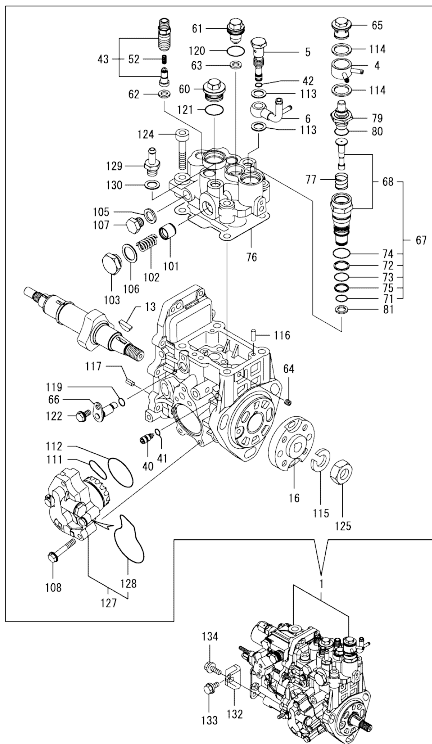
Remarks

(1) GOVERNOR ASSY(FIG.15) IS INCORPORATED IN THIS FUEL INJECTION PUMP. (REF.NO.1).
 (1) ECO PUMP.
 MAKE SURE TO UPDATE THE ENGINES ECU INFORMATION WHEN REPLACING THE ECO PUMP.
 FAILING TO DO SO WILL RESULT IN ENGINE MALFUNCTION.

No.	Lev.	Parts No.	Description	Q'ty						I	R
				(A)	(B)	(C)	(D)	(E)	(F)		
1	1	729083-51300	PUMP ASSY, INJECTION	1							1
1-1	1	729083-51320	INJECTION PUMP ASSY	1							S 1
(A=EZZZZZ)											
4	2	158553-51551	JOINT	1							
5	2	158601-51650	JOINT, OVER FLOW	1							
6	2	158552-51670	JOINT, OVER FLOW	1							
13	2	119802-51090	KEY, 4X16	1							
16	2	158552-51151	FLANGE	1							
40	2	158600-51270	STOPPER, TAPPET	1							
41	2	158563-51281	O-RING, 4D S6	1							
42	2	158563-51281	O-RING, 4D S6	1							
43	2	129009-51390	VALVE ASSY, DELIVERY	3							
52	3	158563-51330	SPRING, DELIVERY	3							
60	2	158601-51550	PLUG	1							
61	2	119802-51560	PLUG, BARREL	1							
62	2	158552-51571	GASKET	3							
63	2	158552-51571	GASKET	1							
64	2	158557-51570	PLUG	1							
65	2	158601-51570	PLUG	1							
66	2	158552-51580	LIFTER	1							
67	2	119802-51590	TIMER SET	1							
68	3	119802-51600	TIMER ASSY	1							
71	3	158553-51670	O-RING, 1011	1							
72	3	119802-51680	RING, BACK UP	1							
73	3	119802-51690	O-RING	1							
74	3	24356-010200	O-RING, 4D1020	1							
75	3	24372-000150	RING, BACK UP T2P15	1							
76	2	158552-51600	GASKET	1							
77	2	158553-51630	SPRING, TIMER	1							
79	2	158553-51640	ELEMENT	1							
80	2	158553-51660	O-RING, P14	1							
81	2	158553-51680	GASKET	1							
101	2	158601-51770	PISTON	1							
102	2	158552-51781	SPRING	1							
103	2	158601-51790	PLUG	1							
105	2	22190-120002	WASHER, SEAL 12	1							
106	2	22190-180002	WASHER, SEAL 18	1							
107	2	23887-120002	PLUG, 12	1							
108	2	158553-51770	BOLT	4							
111	2	158552-52310	O-RING	1							
112	2	158552-52400	O-RING, 4E S42	1							
113	2	22190-120002	WASHER, SEAL 12	2							
114	2	22190-180002	WASHER, SEAL 18	2							
115	2	22217-140000	WASHER, SPRING 14	1							
116	2	22312-050140	PIN, PARALLEL M5X14	2							
117	2	22351-050010	PIN, SPRING 5.0X10	2							
119	2	24311-000070	O-RING, 1AP7.0	1							
120	2	24356-010180	O-RING, 4D1018	1							
121	2	24356-010200	O-RING, 4D1020	1							
122	2	26106-060102	BOLT, M6X 10 PLATED	1							
124	2	26450-080452	BOLT, M8X 45	4							

N:Old $\frac{New}{Old}$ New, Q:Old $\frac{New}{Old}$ New, R:Old $\frac{New}{Old}$ New, S:Old $\frac{New}{Old}$ New, W:Add, Z:Discontinued, F:Interchangeable by set, K:Q'ty Change
 ++ CONTINUE ++
 Copyright (C) YANMAR CO., LTD. All Rights Reserved.

Fig.14. FUEL INJECTION PUMP



(A)=3TNV84T-BGMG
(B)=
(C)=

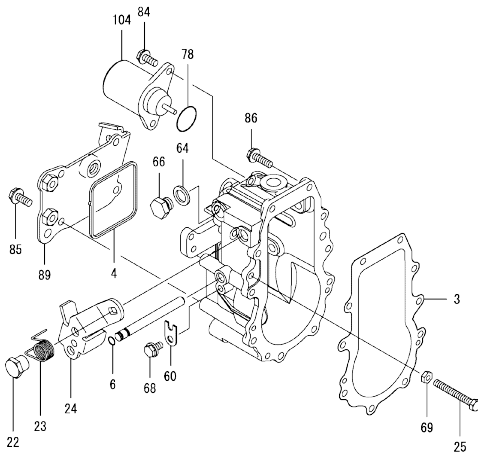
(D)=
(E)=
(F)=

No.	Lev.	Parts No.	Description	Q'ty					
				(A)	(B)	(C)	(D)	(E)	(F)
125	2	26776-140002	NUT, LOCK M14	1					
127	2	158552-52100	PUMP ASSY, FUEL FEED	1					
128	3	158552-52500	O-RING	1					
129	2	119934-59910	JOINT, PIPE	1					
130	2	22190-120002	WASHER, SEAL 12	1					
132	1	119802-51250	RETAINER, PUMP	1					
133	1	26106-080162	BOLT, M8X 16 PLATED	1					
134	1	26106-080202	BOLT, M8X 20 PLATED	1					

Remarks

(1) GOVERNOR ASSY(FIG. 15) IS INCORPORATED IN THIS FUEL INJECTION PUMP. (REF.NO.1).
(1) ECO PUMP.
MAKE SURE TO UPDATE THE ENGINES ECU INFORMATION WHEN REPLACING THE ECO PUMP.
FAILING TO DO SO WILL RESULT IN ENGINE MALFUNCTION.

Fig.15. GOVERNOR



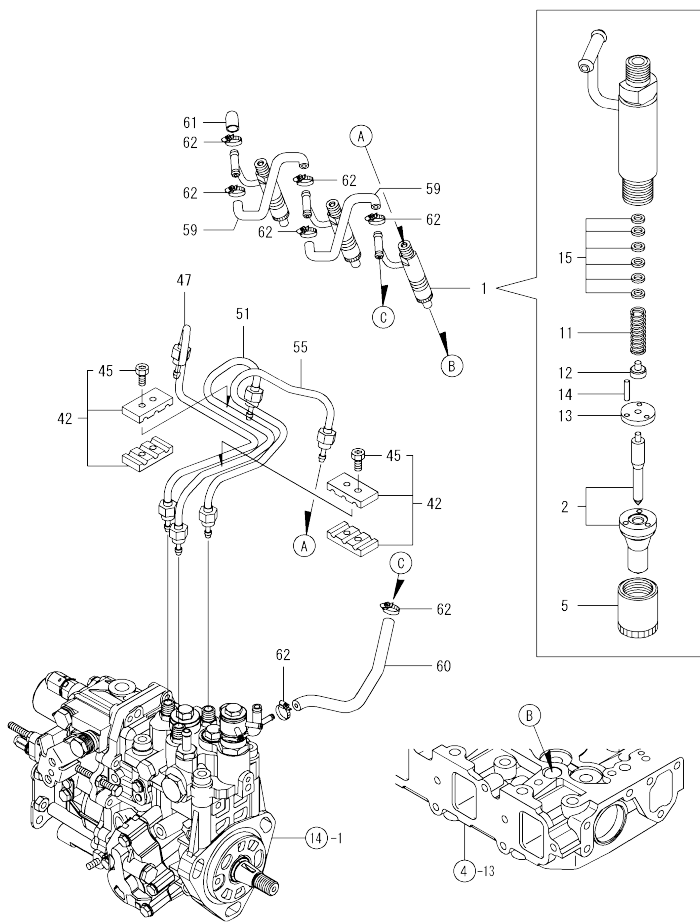
(A)=3TNV84T-BGMG
(B)=
(C)=

(D)=
(E)=
(F)=

No.	Lev.	Parts No.	Description	Q'ty						I	R
				(A)	(B)	(C)	(D)	(E)	(F)		
3	2	158553-61050	GASKET	1							
4	2	158553-61070	GASKET	1							
6	2	129155-51280	O-RING, S6	1							
22	2	129255-61410	NUT, LOCK	1							
23	2	119807-61420	SPRING, RETURN	1							
24	2	129246-61441	LEVER, REGULATOR	1							
25	2	129155-61460	BOLT, IDLE	1							
60	2	119660-61901	RETAINER, SHAFT	1							
64	2	22190-120002	WASHER, SEAL 12	1							
66	2	23887-120002	PLUG, 12	1							
68	2	26106-060102	BOLT, M6X 10 PLATED	1							
69	2	26756-060002	NUT, LOCK M6	1							
78	2	158552-61900	O-RING	1							
84	2	26106-060142	BOLT, M6X 14 PLATED	2							
85	2	26106-060142	BOLT, M6X 14 PLATED	4							
86	2	26106-060202	BOLT, M6X 20 PLATED	10							
89	2	129246-61061	COVER, GOVERNOR CASE	1							
104	2	119653-77950	SOLENOID, STOP	1							

Remarks
* THIS FIGURE(GOVERNOR ASSY)IS
INCORPORATED IN THE FUEL INJECTION
PUMP ASSY(FIG.14).

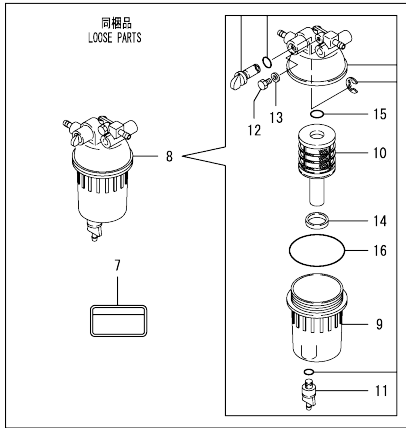
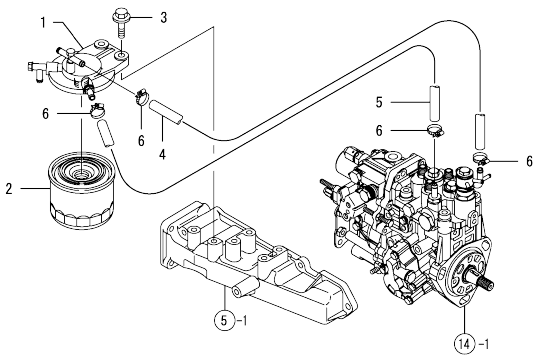
Fig.16. FUEL INJECTION VALVE



No.	Lev.	Parts No.	Description	Q'ty						I	R
				(A)	(B)	(C)	(D)	(E)	(F)		
1	1	729046-53100	VALVE ASSY,INJECTION	3							
1-1	1	729642-53100	VALVE ASSY,INJECTION	3							S
(A=EZZZZZ)											
2	2	129046-53000	VALVE ASSY,INJECTION	3							
2-1	2	129640-53001	VALVE ASSY,INJECTION	3							S
(A=EZZZZZ)											
5	2	114250-53080	NUT, NOZZLE D16.95	3							
11	2	114250-53120	SPRING, NOZZLE	3							
12	2	114250-53130	SEAT, SPRING	3							
13	2	114250-53140	PLATE	3							
14	2	114250-53210	PIN	6							
15	2	119803-53400	SHIM SET	3							
42	1	129150-59120	RETAINER, PIPE	2							
45	2	129150-59131	BOLT, M4X14	4							
47	1	129004-59811	PIPE ASSY, INJECTION	1							
51	1	129004-59821	PIPE ASSY, INJECTION	1							
55	1	129004-59831	PIPE ASSY, INJECTION	1							
59	1	129270-59550	PIPE, FUEL	2							
60	1	119802-59570	PIPE, FUEL	1							
61	1	129270-59580	CAP	1							
62	1	23000-013000	CLAMP, 13	7							

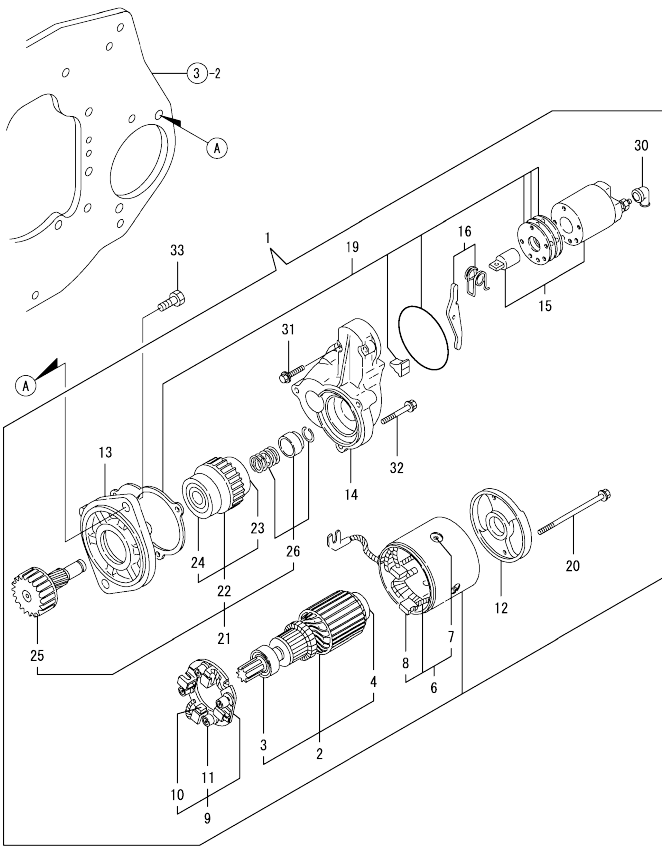
N:Old $\frac{100}{100}$ New, Q:Old $\frac{100}{100}$ New, R:Old $\frac{100}{100}$ New, S:Old $\frac{100}{100}$ New, W:Add, Z:Discontinued, F:Interchangeable by set, K:Q'ty Change
 Copyright (C) YANMAR CO., LTD. All Rights Reserved.

Fig.17. FUEL LINE



No.	Lev.	Parts No.	Description	Q'ty						
				(A)	(B)	(C)	(D)	(E)	(F)	
1	1	129004-55612	BRACKET, FILTER	1						
2	1	119802-55801	FILTER, FUEL	1						
3	1	26106-080302	BOLT, M8X 30 PLATED	2						
4	1	119802-59100	PIPE, FUEL	1						
5	1	119802-59110	PIPE, FUEL	1						
6	1	23000-016000	CLAMP, 16	4						
7	1	114110-07760	LABEL, FUEL OIL	1						
8	1	129242-55700	SEPARATOR ASSY	1						
9	2	129242-55720	CUP	1						
10	2	129242-55730	ELEMENT	1						
11	2	129242-55740	PLUG, DRAIN	1						
12	2	129242-55750	VALVE, AIR VENT	1						
13	2	129242-55760	GASKET	1						
14	2	129242-55770	FLOAT	1						
15	2	24311-000160	O-RING, 1AP16.0	1						
16	2	24321-000750	O-RING, 1AG75.0	1						

Fig.18. STARTING MOTOR

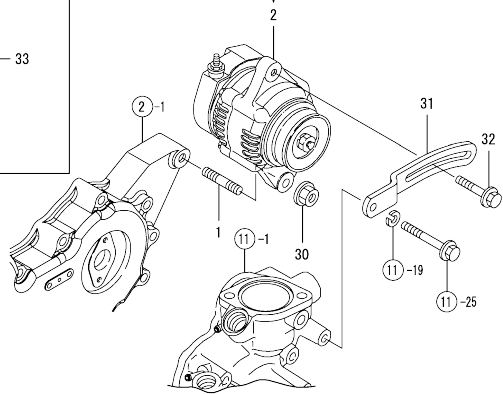
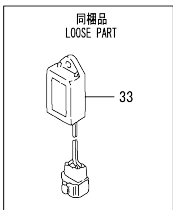
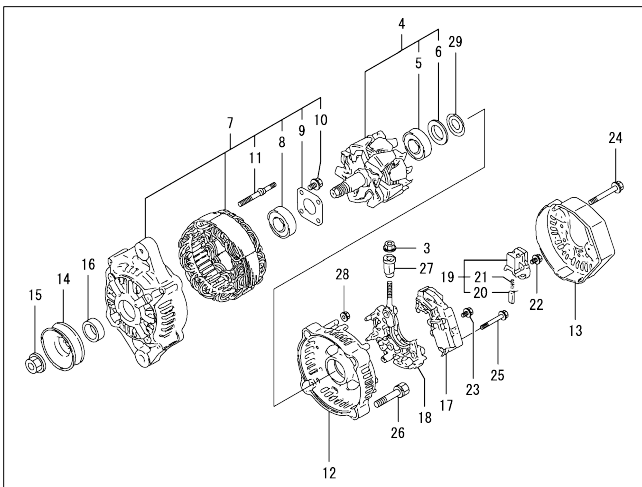


(A)=3TNV84T-BGMG
(B)=
(C)=

(D)=
(E)=
(F)=

No.	Lev.	Parts No.	Description	Q'ty						I	R
				(A)	(B)	(C)	(D)	(E)	(F)		
1	1	171008-77010	STARTER, S114-483	1							
2	2	171008-77400	ARMATURE ASSY	1							
3	3	X2114255110	BEARING, BALL	1							
4	3	X2130350900	BALL BEARING	1							
6	2	171008-77440	COIL ASSY, FIELD	1							
7	3	171008-77450	SCREW	4							
8	3	171008-77460	BRUSH (+)	2							
9	2	171008-77470	HOLDER ASSY, BRUSH	1							
10	3	171008-77480	BRUSH (-)	2							
11	3	171008-77490	SPRING, BRUSH	4							
12	2	171008-77500	COVER, REAR	1							
13	2	171008-77510	HOUSING ASSY, GEAR	1							
14	2	171008-77520	HOUSING, CENTER	1							
15	2	171008-77531	SWITCH ASSY, MAGNETIC	1							
16	2	171008-77540	LEVER SET, SHIFT	1							
19	2	171008-77571	DUST COVER, (NON-ASB.	1							
20	2	171008-77640	BOLT, THROUGH	2							
21	2	171008-77650	PINION ASSY	1							
22	3	X2114555500	CLUTCH ASSY	1							
23	4	X2114955020	BALL BEARING	1							
24	4	X2240410100	BEARING, BALL	1							
25	3	171008-77660	SHAFT, PINION	1							
26	3	171008-77670	STOPPER SET, PINION	1							
30	2	171008-77750	COVER, M TERMINAL	1							
31	2	26106-060322	BOLT, M6X 32 PLATED	2							
32	2	26106-060402	BOLT, M6X 40 PLATED	3							
33	1	26116-120252	BOLT, M12X 25 PLATED	2							

Fig.19. GENERATOR

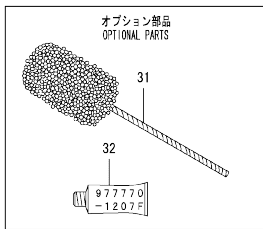
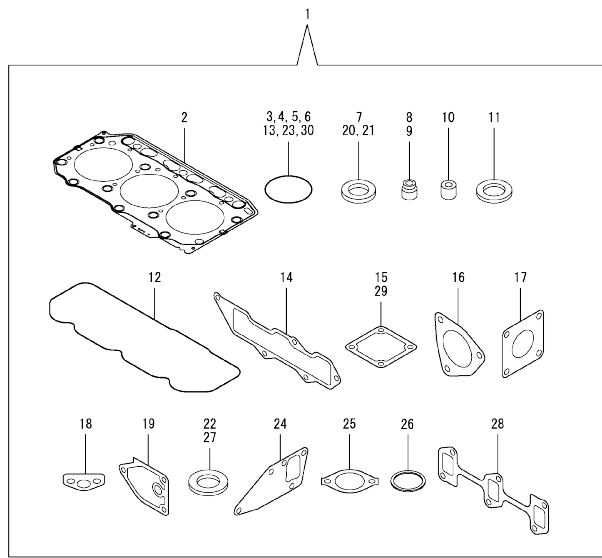


(A)=3TNV84T-BGMG
(B)=
(C)=

(D)=
(E)=
(F)=

No.	Lev.	Parts No.	Description	Q'ty						I	R
				(A)	(B)	(C)	(D)	(E)	(F)		
1	1	129795-01900	STUD	1							
2	1	129423-77200	GENERATOR, 12V-40A	1							
3	2	X9490561001	NUT	1							
4	2	119620-77380	ROTOR ASSY	1							
5	3	123501-79240	BEARING, BALL	1							
6	3	119620-79250	COVER, BEARING	1							
7	2	119620-77421	FRAME ASSY, DRIVE	1							
8	3	119620-79200	BALL BEARING	1							
9	3	119620-79210	PLATE, RETAINER	1							
10	3	119620-79220	SCREW	4							
11	3	119620-79230	STUD	2							
12	2	119620-77440	FRAME ASSY, REAR	1							
13	2	129240-79300	COVER	1							
14	2	119620-77461	PULLEY	1							
15	2	119620-77471	NUT	1							
16	2	119620-77490	COLLAR	1							
17	2	129423-77710	REGULATOR ASSY	1							
18	2	119620-79260	HOLDER	1							
19	2	129052-79270	HOLDER, BRUSH	1							
20	3	119620-77480	BRUSH ASSY	2							
21	3	119620-79280	SPRING	2							
22	2	119620-79290	SCREW	6							
23	2	119620-79300	SCREW	1							
24	2	119620-79310	BOLT	3							
25	2	119620-79320	SCREW	2							
26	2	119620-79330	BOLT	2							
27	2	119620-79340	BUSH, INSULATION	1							
28	2	119620-79350	NUT	2							
29	2	119620-79360	WASHER, THRUST	1							
30	1	26306-100002	NUT, M10	1							
31	1	129410-77330	ADJUSTER	1							
32	1	26106-080452	BOLT, M8X 45 PLATED	1							
33	1	129211-77920	TIMER	1							

Fig.20. GASKET SET



(A)=3TNV84T-BGMG
(B)=
(C)=

(D)=
(E)=
(F)=

No.	Lev.	Parts No.	Description	Qty						I	R	
				(A)	(B)	(C)	(D)	(E)	(F)			
1	1	729006-92610	GASKET SET	1							1	
2	2	129002-01331	GASKET, HEAD	1								
3	2	119609-32040	O-RING, P16	4								
4	2	121850-51960	O-RING	1								
5	2	24311-000320	O-RING, 1AP32.0	2								
6	2	24341-000240	O-RING, 1AS24.0	1								
7	2	22190-220002	WASHER, SEAL 22	1								
8	2	121400-11340	SEAL, VALVE STEM	3								
9	2	124460-11340	SEAL, VALVE STEM	3								
10	2	119802-11870	PROTECTOR, NOZZLE	3								
11	2	119625-11880	SEAT, NOZZLE	3								
12	2	129004-11310	GASKET, BONNET	1								
13	2	24311-000120	O-RING, 1AP12.0	3								
14	2	129001-12110	GASKET, MANIFOLD	1								
15	2	129150-77511	GASKET	1								
16	2	129472-13520	GASKET	1								
17	2	129792-18091	GASKET	1								
18	2	129150-35042	GASKET	1								
19	2	129150-35111	GASKET	1								
20	2	22190-080002	WASHER, SEAL 6	2								
21	2	22190-100002	WASHER, SEAL 10	2								
22	2	23414-080000	GASKET, 8X1.0	3								
23	2	24316-000160	O-RING, 4DP16.0	1								
24	2	129486-42050	GASKET, WATER PUMP	1								
25	2	129795-49551	GASKET	1								
26	2	129470-49810	GASKET, THERMOSTAT	1								
27	2	124465-44950	GASKET, 16	1								
28	2	129150-13110	GASKET	1								
29	2	120445-44640	GASKET	1								
30	2	24321-000750	O-RING, 1AG75.0	2								
31	1	129400-92420	FLEX HORN	1								1
32	1	977770-1207F	GASKET, LIQUID	1								1

Remarks
(1) OPTIONAL PART.

N:Old $\frac{100}{100}$ New, Q:Old $\frac{100}{100}$ New, R:Old $\frac{100}{100}$ New, S:Old $\frac{100}{100}$ New, W:Add, Z:Discontinued, F:Interchangeable by set, K:Qty Change
Copyright (C) YANMAR CO., LTD. All Rights Reserved.

Parts No. Index

Parts No.	Fig. No.	Ref. No.
104214-42780	12	24
104407-21600	12	1
104407-44480	7	16
	13	3
105010-39140	10	1
114110-07760	17	7
114250-39450	9	33
114250-53080	16	5
114250-53120	16	11
114250-53130	16	12
114250-53140	16	13
114250-53210	16	14
119609-32040	2	11
	20	3
119620-49290	9	1
	13	7
119620-77380	19	4
119620-77421	19	7
119620-77440	19	12
119620-77461	19	14
119620-77471	19	15
119620-77480	19	20
119620-77490	19	16
119620-79200	19	8
119620-79210	19	9
119620-79220	19	10
119620-79230	19	11
119620-79250	19	6
119620-79260	19	18
119620-79280	19	21
119620-79290	19	22
119620-79300	19	23
119620-79310	19	24
119620-79320	19	25
119620-79330	19	26
119620-79340	19	27
119620-79350	19	28
119620-79360	19	29
119625-11880	4	33
	20	11
119640-01640	3	7
119653-77950	15	104
119660-61901	15	60
119802-01561	2	7
119802-03110	4	44
119802-03121	4	45
119802-03130	4	46
119802-03141	4	47
119802-11260	4	4
119802-11270	4	5

Parts No.	Fig. No.	Ref. No.
119802-11280	4	6
119802-11870	4	32
	20	10
119802-21202	8	4
119802-25051	6	9
119802-25071	6	13
119802-25101	6	10
119802-25901	6	16
119802-32070	2	13
119802-32100	2	12
119802-32111	2	17
119802-32120	2	18
119802-32130	2	19
119802-35110	9	17
119802-39500	10	4
119802-51090	14	13
119802-51250	14	132
119802-51560	14	61
119802-51590	14	67
119802-51600	14	68
119802-51680	14	72
119802-51690	14	73
119802-55801	17	2
119802-59100	17	4
119802-59110	17	5
119802-59570	16	60
119803-53400	16	15
119807-61420	15	23
119934-01800	2	5
119934-59910	14	129
120130-11860	4	30
120270-54410	4	35
120445-44640	13	20
	20	29
121023-01551	2	28
121111-21501	8	8
121400-11340	4	26
	20	8
121450-42450	11	54
121520-34810	9	6
121550-23200	8	27
121575-42021	12	6
121575-42120	12	12
121575-42150	12	13
121850-21680	8	14
121850-51960	2	21
	20	4
123501-79240	19	5
124060-01050	1	11
124070-42400	12	16

Parts No.	Fig. No.	Ref. No.
124070-42420	12	17
124160-01751	2	8
	4	40
124160-01910	1	12
	13	13
124160-11360	4	54
124160-39140	10	2
124160-49480	13	11
124223-39900	10	5
124223-42040	12	7
124223-42070	12	8
124223-42080	12	9
124223-42092	12	10
124223-42110	12	11
124240-01871	2	9
124460-11340	4	27
	20	9
124460-77680	12	33
	13	24
124465-44950	11	55
	20	27
124550-21600	8	11
124722-59050	11	50
	53	
124770-12540	5	8
127610-91350	11	56
128170-13600	7	4
	13	2
129001-01250	1	4
129001-02931	1	29
129001-12110	5	2
	20	14
129001-32330	2	16
129002-01331	1	28
	20	2
129004-03010	4	42
129004-11130	4	23
129004-11241	4	1
129004-11251	4	2
129004-11310	4	49
	20	12
129004-11650	4	8
129004-11900	4	34
129004-14580	6	3
129004-21002	8	1
129004-55612	17	1
129004-59811	16	47
129004-59821	16	51
129004-59831	16	55
129005-59830	10	6

Parts No.	Fig. No.	Ref. No.
129006-01520	2	6
129006-12101	5	1
129006-35100	9	16
129006-44480	9	21
129006-49040	9	26
129007-22080	8	16
129007-22500	8	18
129007-22900	8	33
129007-22950	8	35
129009-11340	4	50
129009-11350	4	41
129009-11710	4	13
129009-51390	14	43
129046-12851	5	16
129046-39450	10	3
129046-53000	16	2
129052-79270	19	19
129054-42320	11	10
129080-49010	12	26
129083-03010	4	60
129100-01580	3	1
	8	2
129100-01640	3	14
129100-01730	3	5
129100-11130	4	24
129100-23910	8	30
129122-44480	2	20
129150-01200	1	27
129150-02020	1	6
129150-02450	6	4
129150-02871	1	32
129150-02931	1	24
129150-02941	1	35
129150-03070	4	43
129150-11230	4	9
129150-11280	4	7
129150-11370	4	12
129150-11750	4	11
129150-11810	4	31
129150-13110	13	1
	20	28
129150-14101	6	6
129150-14200	6	1
129150-14400	6	2
129150-23601	8	28
129150-23611	8	31
129150-25301	6	15
129150-35042	9	7
	20	18

Parts No. Index

Parts No.	Fig. No.	Ref. No.
129150-35091	9	8
129150-35111	9	19
	20	19
129150-35153	9	20
129150-42059	11	2
129150-42301	11	8
129150-59120	16	42
129150-59131	16	45
129150-77511	5	13
	20	15
129155-51280	15	6
129155-61460	15	25
129156-44760	11	18
129170-44110	13	16
129170-49260	11	31
129171-44600	13	19
129171-49561	11	37
129175-01770	3	6
129175-21650	8	12
129176-01601	3	2
129176-39610	10	14
129176-44000	13	5
129176-44900	13	4
129189-21570	8	9
129202-22300	8	22
129211-77920	19	33
129240-79300	19	13
129242-55700	17	8
129242-55720	17	9
129242-55730	17	10
129242-55740	17	11
129242-55750	17	12
129242-55760	17	13
129242-55770	17	14
129246-61061	15	89
129246-61441	15	24
129247-42000	11	1
129255-61410	15	22
129263-42120	11	4
129263-49610	11	48
129263-49620	11	51
129270-59550	16	59
129270-59580	16	61
129283-42150	12	3 -1
129283-42500	12	2 -1
129301-03660	4	62
129400-92420	20	31
129403-18570	7	14 A
129403-18720	7	6
129403-18800	7	8

Parts No.	Fig. No.	Ref. No.
129403-39610	10	15
129410-03990	4	63
129410-77330	19	31
129417-33110	9	15
129417-35150	9	18
129418-32320	2	15
129423-77200	19	2
129423-77710	19	17
129457-49801	11	44
129466-49300	9	31
129470-07230	4	57
129470-44440	13	17
129470-44450	13	18
129470-49200	11	27
129470-49220	11	28
129470-49240	11	29
129470-49250	11	30
129470-49540	11	42
129470-49810	11	45
	20	26
129472-13520	7	1
	20	16
129472-49040	12	36
129473-49310	11	35
129475-49020	12	28
129477-12500	5	5
129477-12530	5	7
129486-01670	3	17
129486-42050	11	17
	20	24
129508-33010	9	13
129508-33050	9	14
129508-49030	9	22
129550-42350	11	26
129553-39650	9	40
129579-13551	7	2
129579-18010	7	5
129579-18780	7	7
129579-18820	7	11
129579-18830	7	12
129579-18850	7	13
129579-18860	7	14
129579-42160	12	14
129579-42190	12	15
129579-42502	12	4
129579-42590	12	18
129579-49320	11	36
129579-49460	12	32
129640-53001	16	2 -1
129642-49180	9	29

Parts No.	Fig. No.	Ref. No.
129647-42150	12	3
129647-42500	12	2
129649-12210	5	10
129649-12811	5	17
129649-12821	5	18
129649-12832	5	19
129670-49290	7	17
	11	32
	12	29
129792-18091	7	15
	20	17
129792-39410	9	34
129795-01780	3	16
129795-01800	2	5 -1
129795-01900	19	1
129795-01950	2	10
129795-02412	1	9
129795-11120	4	22
129795-11180	4	25
129795-21661	8	13
129795-49551	11	43
	20	25
129900-32130	2	14
129910-07900	4	58
129916-49740	11	12
129940-42310	11	57
158552-51151	14	16
158552-51571	14	62
	63	
158552-51580	14	66
158552-51600	14	76
158552-51670	14	6
158552-51781	14	102
158552-52100	14	127
158552-52310	14	111
158552-52400	14	112
158552-52500	14	128
158552-61900	15	78
158553-51551	14	4
158553-51630	14	77
158553-51640	14	79
158553-51660	14	80
158553-51670	14	71
158553-51680	14	81
158553-51770	14	108
158553-61050	15	3
158553-61070	15	4
158557-51570	14	64
158563-51281	14	41
	42	

Parts No.	Fig. No.	Ref. No.
158563-51330	14	52
158600-51270	14	40
158601-51550	14	60
158601-51570	14	65
158601-51650	14	5
158601-51770	14	101
158601-51790	14	103
171007-49400	7	20
171008-03990	9	23
		27
171008-77010	18	1
171008-77400	18	2
171008-77440	18	6
171008-77450	18	7
171008-77460	18	8
171008-77470	18	9
171008-77480	18	10
171008-77490	18	11
171008-77500	18	12
171008-77510	18	13
171008-77520	18	14
171008-77531	18	15
171008-77540	18	16
171008-77571	18	19
171008-77640	18	20
171008-77650	18	21
171008-77660	18	25
171008-77670	18	26
171008-77750	18	30
171051-01921	1	5
171420-34800	9	5
171487-49010	12	27
194440-51620	11	38
22190-080002	10	7
		9
	20	20
22190-100002	10	10
	20	21
22190-120002	14	105
		113
		130
	15	64
22190-180002	14	106
		114
22190-220002	3	9
	20	7
22217-080000	11	19
22217-140000	14	115
22242-000150	12	19
22252-000260	8	23

Parts No. Index

Parts No.	Fig. No.	Ref. No.
22252-000350	12	20
22312-050140	14	116
22351-030010	8	7
	9	41
22351-050010	14	117
22351-060012	4	36
22512-070140	6	7
	8	5
22512-070160	8	15
22857-500100	4	51
		52
		53
23000-013000	11	39
	16	62
23000-016000	17	6
23000-022000	10	16
23000-025000	11	40
23000-035000	12	34
		37
23000-041000	11	41
23000-048000	5	9
		21
23000-054000	5	20
23000-060000	5	22
23061-070300	12	35
	13	25
23080-015000	9	25
		30
23414-080000	10	11
	11	20
	20	22
23414-170000	13	12
23857-030000	10	8
23876-010000	5	12
23876-030000	2	3
23876-040000	2	4
23887-120002	14	107
	15	66
23894-030002	13	13
24107-062024	12	21
24311-000070	14	119
24311-000120	4	55
	20	13
24311-000160	17	15
24311-000320	2	22
	4	56
	20	5
24316-000160	10	17
	20	23
24321-000750	13	21

Parts No.	Fig. No.	Ref. No.
24321-000750	17	16
	20	30
24341-000240	2	29
	20	6
24356-010180	14	120
24356-010200	14	74
		121
24358-240310	11	13
24372-000150	14	75
26014-080162	12	22
26106-060082	12	25
26106-060102	11	21
	14	122
	15	68
26106-060142	15	84
		85
26106-060162	2	30
	10	18
26106-060202	11	14
	15	86
26106-060322	18	31
26106-060402	18	32
26106-080122	10	12
	11	22
26106-080142	6	8
26106-080162	2	23
		24
	3	10
	4	59
	13	22
	14	133
26106-080202	5	3
		14
	9	32
	14	134
26106-080252	3	11
	4	37
	11	46
	13	23
26106-080302	17	3
26106-080352	3	18
	4	38
	9	12
	11	47
26106-080402	6	14
26106-080452	3	12
		12
	19	32
26106-080502	3	19
	4	39

Parts No.	Fig. No.	Ref. No.
26106-080552	2	25
	11	23
		24
26106-080652	5	15
	11	25
26106-080802	5	4
26106-080852	2	26
26106-081002	13	26
26113-040088	12	23
26116-060162	11	15
26116-120252	18	33
26206-100202	3	3
26206-100252	3	4
26306-080002	2	27
	13	27
26306-100002	19	30
26366-060002	10	13
26450-080452	14	124
26577-060162	11	16
26703-080002	7	3
		21
26756-060002	15	69
26776-140002	14	125
27241-120000	1	14
27241-280000	13	14
27241-300000	1	10
27241-400000	4	21
	13	15
27310-080001	4	28
719802-01500	2	1
729006-01560	1	1
729006-92610	20	1
729046-01500	2	1 -1
729046-53100	16	1
729083-51300	14	1
729083-51320	14	1 -1
729402-23100	8	24
729642-53100	16	1 -1
977770-1207F	20	32
X2114255110	18	3
X2114555500	18	22
X2114955020	18	23
X2130350900	18	4
X2240410100	18	24
X9490561001	19	3

Parts No.	Fig. No.	Ref. No.
-----------	----------	----------